

# HEINNER

## REFRIGERATOR

Model: HF-V250F+



- Refrigerator
- Total capacity: 255 L
- Energy class: F

Thank you for purchasing this product!

## I. INTRODUCTION

***Before using the appliance, please read carefully this instruction manual and keep it for future reference.***

This instruction manual is designed to provide you with all required instructions related to the installation, use and maintenance of the appliance.

In order to operate the unit correctly and safety, please read this instruction manual carefully before installation and usage.

## II. CONTENT OF YOUR PACKAGE



- **Double door refrigerator**
- **User manual**
- **Warranty card**

### III. SAFETY PRECAUTIONS

#### **GENERAL WARNINGS!**

**WARNING:** Keep ventilation openings, in the appliance enclosure or in the built-in structure, clear of obstruction.

**WARNING:** Do not use mechanical devices or other means to accelerate the defrosting process, other than those recommended by the manufacturer.

**WARNING:** Do not use electrical appliances inside the food storage compartments of the appliance, unless they are of the type recommended by the manufacturer.

**WARNING:** Do not damage the refrigerant circuit.

**WARNING:** When positioning the appliance, ensure the supply cord is not trapped or damaged.

**WARNING:** Do not locate multiple portable socket-outlets or portable power supplies at the rear of the appliance.

**WARNING:** In order to avoid any hazards resulting from the instability of the appliance, it must be fixed in accordance with the following instructions.



#### **Symbol ISO 7010 W021**

**WARNING:** Risk of fire / flammable materials

- If your appliance uses R600a as a refrigerant (this information will be provided on the label of the cooler) you should take care during transportation and installation to prevent the cooler elements from being damaged. R600a is an environmentally friendly and natural gas, but it is explosive. In the event of a leak due to damage of the cooler elements, move your fridge away from open flames or heat sources and ventilate the room where the appliance is located for a few minutes.
- While carrying and positioning the fridge, do not damage the cooler gas circuit.
- Do not store explosive substances such as aerosol cans with a flammable propellant in this appliance.
- This appliance is intended to be used in household only.
- If the socket does not match the refrigerator plug, it must be replaced by the manufacturer, a service agent or similarly qualified persons in order to avoid a hazard.
- A specially grounded plug has been connected to the power cable of your refrigerator. This plug should be used with a specially grounded socket of 16 amperes. If there is no such socket in your house, please have one installed by an authorised electrician.
- This appliance can be used by children aged from 8 years and above and persons with reduced physical, sensory or mental capabilities or lack of experience and knowledge if they have been given supervision or instruction concerning use of the appliance in a safe way and understand the hazards involved. Children shall not play with the appliance. Cleaning and user maintenance shall not be made by children without supervision.
- Children aged from 3 to 8 years are allowed to load and unload refrigerating appliances. Children are not expected to perform cleaning or user maintenance of the appliance, very young children (0-3 years old) are not expected to use appliances, young children (3-8 years old) are not expected to use appliances safely unless continuous supervision is given, older children

(8-14 years old) and vulnerable people can use appliances safely after they have been given appropriate supervision or instruction concerning use of the appliance. Very vulnerable people are not expected to use appliances safely unless continuous supervision is given.

- If the supply cord is damaged, it must be replaced by the manufacturer, an authorised service agent or similar qualified persons, in order to avoid a hazard.
- This appliance is not intended for use at altitudes exceeding 2000 m.

**NOTES:**

- Please read the instruction manual carefully before installing and using your appliance. ***We are not responsible for the damage occurred due to misuse.***
- Follow all instructions on your appliance and instruction manual, and keep this manual in a safe place to resolve the problems that may occur in the future.
- This appliance is produced to be used in homes and it can only be used in domestic environments and for the specified purposes. It is not suitable for commercial or common use. Such use will cause the guarantee of the appliance to be cancelled and our company will not be responsible for losses incurred.
- This appliance is produced to be used in houses and it is only suitable for cooling / storing food. It is not suitable for commercial or common use and/or for storing substances except for food. Our company is not responsible for losses to be incurred in the contrary case.

**To avoid contamination of food, please respect the following instructions:**

- Opening the door for long periods can cause a significant increase of the temperature in the compartments of the appliance.
- Clean regularly surfaces that can come in contact with food and accessible drainage systems
- Store raw meat and fish in suitable containers in the refrigerator, so that it is not in contact with or drip onto other food.
- Two-star frozen-food compartments are suitable for storing pre-frozen food, storing or making ice cream and making ice cubes.
- One-, two- and three-star compartments are not suitable for the freezing of fresh food.
- If the refrigerating appliance is left empty for long periods, switch off, defrost, clean, dry, and leave the door open to prevent mould developing within the appliance

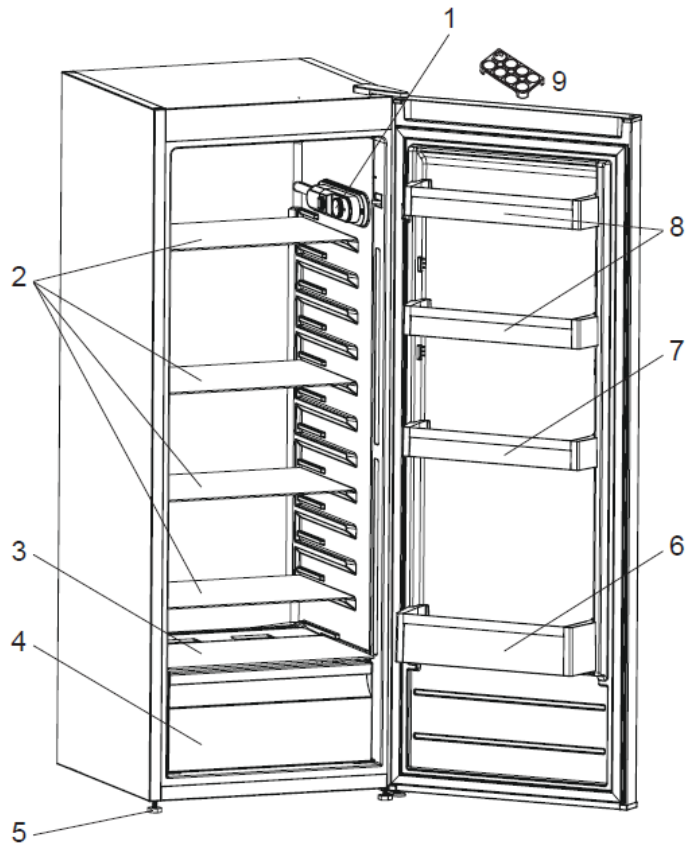


**SAFETY WARNINGS:**

- Do not connect your fridge freezer to the mains electricity supply using an extension lead.
- Do not plug in damaged, torn or old plugs.
- Do not pull, bend or damage the cord.
- This appliance is designed for use by adults, do not allow children to play with the appliance or let them hang off the door.
- Never touch the power cord/plug with wet hands as this could cause a short circuit or electric shock.
- Do not place explosive or flammable material in your fridge. Place drinks with high alcohol content vertically in the fridge compartment and make sure that their tops are tightly closed.
- When the door of the fridge is closed, a vacuum seal will form. Wait for 1 minute before reopening it.
- Do not cover the body or top of fridge with lace. This affects the performance of your fridge.
- Secure any accessories in the fridge during transportation to prevent damage to the accessories.
- Do not use plug adapter.

**IV. PRODUCT DESCRIPTION**

This appliance is not intended to be used as a built-in appliance.



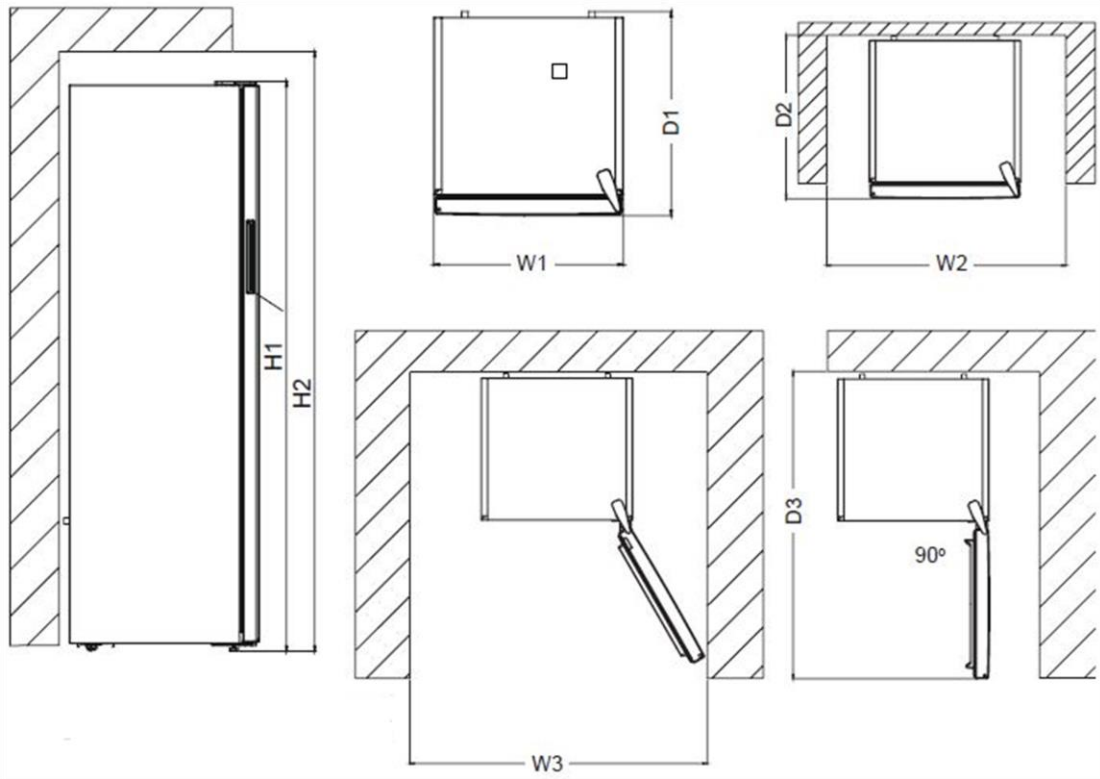
1	Thermostat knob	6	Bottle shelf
2	Refrigerator shelves	7	Door shelf
3	Crisper cover	8	Door shelves
4	Crisper drawer	9	Egg tray
5	Levelling feet		

**General notes:**

**Fresh Food Compartment (Fridge):** Most efficient use of energy is ensured in the configuration with the drawers in the bottom part of the appliance, and shelves evenly distributed, position of door bins does not affect energy consumption.

This presentation is only for information about the parts of the appliance. Parts may vary according to the appliance model.

## Dimensions



Overall dimensions		
H1	mm	1455
W1	mm	540
D1	mm	595

Space required in use		
H2	mm	1605
W2	mm	640
D2	mm	692.8

Overall space required in use		
W3	mm	659.8
D3	mm	1142.3

## V. INSTALLATION

Before using the appliance, you should pay attention to the following points:

- The operating voltage for your fridge is 220-240 V at 50Hz.
- The plug must be accessible after installation.
- Before connecting your fridge, ensure that the information on the data plate (voltage and connected load) matches that of the mains electricity supply. If in doubt, consult a qualified electrician.
- Insert the plug into a socket with an efficient ground connection. If the socket has no ground contact or the plug does not match, we recommend you consult a qualified electrician for assistance.
- The appliance must be connected with a properly installed fused socket. The power supply (AC) and voltage at the operating point must match with the details on the name plate of the appliance (the name plate is located on the inside left of the appliance).
- We do not accept responsibility for any damages that occur due to ungrounded usage.
- Place your fridge where it will not be exposed to direct sunlight.
- Your appliance should be at least 50 cm away from stoves, gas ovens and heater cores, and at least 5 cm away from electrical ovens.
- Your fridge should never be used outdoors or exposed to rain.
- When your fridge is placed next to a deep freezer, there should be at least 2 cm between them to prevent humidity forming on the outer surface.
- Do not place anything on your fridge, and install your fridge in a suitable place so that at least 15 cm of free space is available above it.
- Use the adjustable front legs to make sure your appliance is level and stable. You can adjust the legs by turning them in either direction. This should be done before placing food in the fridge.
- Before using your fridge, wipe all parts with a solution of warm water and a teaspoon of sodium bicarbonate, then rinse with clean water and dry. Place all parts in the fridge after cleaning.
- Install the plastic distance guide (the part with black vanes at the rear) by turning it 90° (as shown in the figure) to prevent the condenser from touching the wall.
- The refrigerator should be placed against a wall with a free space not exceeding 75 mm.

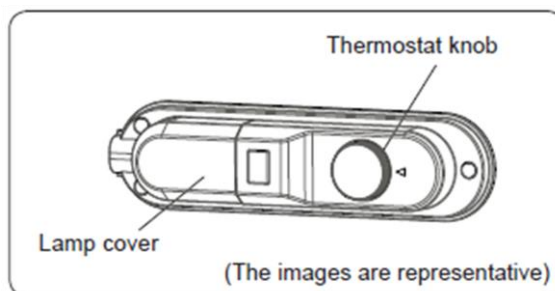
### **Before using the appliance**

- When using your fridge for the first time, or after transportation, keep it in an upright position for at least 3 hours before plugging into the mains. This allows efficient operation and prevents damage to the compressor.
- Your fridge may have a smell when it is operated for the first time. This is normal and the smell will fade away when your fridge starts to cool.

## VI. USING THE APPLIANCE

### Thermostat setting

The thermostat automatically regulates the temperature inside the cooler and freezer compartments. Refrigerator temperatures can be obtained by rotating the knob to higher numbers; 1 to 3, 1 to 5 (Maximum numbers on the thermostat depends on your product).



1 – 2: For short-term storage of food

3 – 4: For long-term storage of food

5: Maximum cooling position. The appliance will work longer. If required, change the temperature setting.

### Temperature setting warnings

- Your appliance is designed to operate in the ambient temperature ranges stated in the standards, according to the climate class stated in the information label. It is not recommended that your fridge is operated in the environments which are outside of the stated temperature ranges. This will reduce the cooling efficiency of the appliance.
- Temperature adjustments should be made according to the frequency of door openings, the quantity of food kept inside the appliance and the ambient temperature in the location of your appliance.
- When the appliance is first switched on, allow it to run for 24 hours in order to reach operating temperature. During this time, do not open the door and do not keep a large quantity of food inside.
- A 5 minute delay function is applied to prevent damage to the compressor of your appliance when connecting or disconnecting to mains, or when an energy breakdown occurs. Your appliance will begin to operate normally after 5 minutes.
- Larders (coolers) have not any freezer compartment but can cool up to 4 - 6°C.

**Climate class and meaning:**

**T (tropical):** This refrigerating appliance is intended to be used at ambient temperatures ranging from 16 °C to 43 °C.

**ST (subtropical):** This refrigerating appliance is intended to be used at ambient temperatures ranging from 16 °C to 38 °C.

**N (temperate):** This refrigerating appliance is intended to be used at ambient temperatures ranging from 16 °C to 32 °C.

**SN (extended temperate):** This refrigerating appliance is intended to be used at ambient temperatures ranging from 10 °C to 32 °C.

## VII. STORING THE FOOD

### Refrigerator compartment

- To reduce humidity and avoid the consequent formation of frost, always store liquids in sealed containers in the refrigerator. Frost tends to concentrate in the coldest parts of the evaporating liquid and, in time, your appliance will require more frequent defrosting.
- Cooked dishes must remain covered when they are kept in the fridge. Do not place warm foods in fridge. Place them when they are cool, otherwise the temperature/humidity inside the fridge will increase, reducing the fridge's efficiency.
- Make sure no items are in direct contact with the rear wall of the appliance as frost will develop and packaging will stick to it. Do not open the refrigerator door frequently.
- We recommend that meat and clean fish are loosely wrapped and stored on the glass shelf just above the vegetable bin where the air is cooler, as this provides the best storage conditions.
- Store loose fruit and vegetable items in the crisper containers.
- Storing fruit and vegetables separately helps prevent ethylene-sensitive vegetables (green leaves, broccoli, carrot, etc.) being affected by ethylene-releasing fruits (banana, peach, apricot, fig etc.).
- Do not put wet vegetables into the refrigerator.
- Storage time for all food products depends on the initial quality of the food and an uninterrupted refrigeration cycle before refrigerator storage.
- Water leaking from meat may contaminate other products in the refrigerator. You should package meat products and clean any leakages on the shelves.
- Do not put food in front of the air flow passage.
- Consume packaged foods before the recommended expiry date.
- Do not allow food to come into contact with the temperature sensor, which is located in the refrigerator compartment, in order to keep the refrigerator compartment at optimum temperature.
- For normal working conditions, it will be sufficient to adjust the temperature setting of your refrigerator to +4°C.
- The temperature of the fridge compartment should be in the range of 0-8°C, fresh foods below 0°C are iced and rotted, bacterial load increases above 8 °C, and spoils.
- The table below is a quick guide to show you the most efficient way to store the major food groups in your refrigerator compartment.
- Do not put hot food in the refrigerator immediately, wait for the temperature to pass outside. Hot foods increase the degree of your refrigerator and cause food poisoning and unnecessary spoiling of the food.

- Meat, fish, etc. should be store in the chiller compartment of the food, and the vegetable compartment is preferred for vegetables. (if available)
- To prevent cross contamination, meat products and fruit vegetables are not stored together.
- Foods should be placed in the refrigerator in closed containers or covered to prevent moisture and odors.

<b>Food</b>	<b>Maximum storing time</b>	<b>Where to place in the fridge compartment</b>
Vegetables and fruits	1 week	Vegetable bin
Meet and fish	2 -3 days	Wrapped in plastic foil or bags or in a meat container (on the glass shelf)
Fresh cheese	3-4 days	In special door shelf
Butter and margarine	1 week	In special door shelf
Bottled products milk and yoghurt	Until the expiry date recommended by the producer	In special door shelf
Eggs	1 month	In the egg shelf
Cooked food	2 days	All shelves

**Note:** Potatoes, onions and garlic should not be stored in the refrigerator.



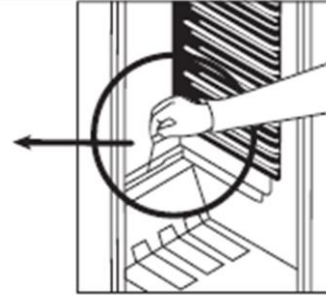
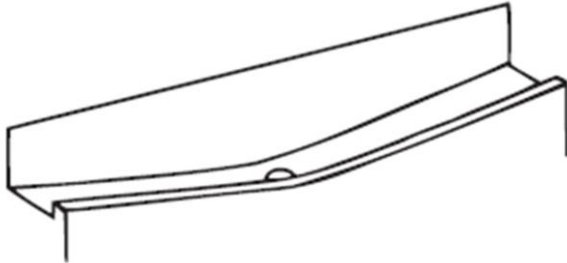
## VIII. CLEANING AND MAINTENANCE

- Disconnect the unit from the power supply before cleaning.
- Do not clean the appliance by pouring water.
- Make sure that no water enters the lamp housing and other electrical components.
- The refrigerator should be cleaned periodically using a solution of bicarbonate of soda and lukewarm water.
- Clean the accessories separately with soap and water Do not clean them in the dishwasher.
- Do not use abrasive products, detergents or soaps. After washing, rinse with clean water and dry carefully. When you have finished cleaning, reconnect the plug to the mains supply with dry hands.
- Clean the condenser with a broom at least twice a year. This will help you to save on energy costs and increase productivity.

**THE POWER SUPPLY MUST BE DISCONNECTED.**

## DEFROSTING

### Defrosting the fridge compartment



- Defrosting occurs fully automatically in fridge compartment during operation; the defrosted water collected by the evaporating tray and evaporates automatically.
- The evaporating tray and water drain hole (back of the refrigerator crisper shelf) should be cleaned periodically to prevent the water from collecting on the bottom of the fridge instead of flowing out.
- You can also clean the drain hole by pouring 1/2 glass of water down it.

### Replacing LED lighting

If your refrigerator has LED lighting contact the help desk as this should be changed by authorized personnel only.

## **TRANSPORTATION AND CHANGING OF INSTALLATION POSITION**

### **Transportation and changing of installation position**

- The original packages and foamed polystyrene (PS) can be retained if required.
  - During transportation, the appliance should be secured with a wide string or a strong rope. The instructions written on the corrugated box must be followed while transporting.
  - Before transporting or changing the installation position, all the moving objects (ie,shelves,crisper...) should be taken out or fixed with bands in order to prevent them from getting damaged.
- Carry the fridge in the upright position.

### **Repositioning the door**

- It is not possible to change the opening direction of your refrigerator door, if the door handle on your refrigerator is installed from the front surface of the door.
- It is possible to change the opening direction of the door on models without any handles.
- If the door opening direction of your refrigerator may be changed, you should contact the nearest Authorised Service Agent to have the opening direction changed.

## IX. TROUBLESHOOTING

If the fridge freezer is not working properly, it may be a minor problem, therefore to save time and money, check the following, before calling an electrician.

### **What to do if your appliance does not operate**

#### **Check that:**

- There is no power
- The general switch in your home is disconnected
- The thermostat setting is on the «•» position
- The socket is not faulty. To check this, plug the appliance in to another socket which you know is working.

### **What to do if your appliance performs poorly**

#### **Check that:**

- You have overloaded the appliance.
- The thermostat setting is on position "1" (if so set the thermostat dial to a suitable value).
- The doors are closed properly,
- There is no dust on the condenser,
- There is enough space at the rear and side walls.

If your fridge is operating too loudly

### **Normal Noises**

#### **Compressor noise**

- Normal motor noise: This noise means that the compressor operates normally
- The compressor may cause more noise for a short time when it is first activated.

#### **Bubbling noise and splash:**

- This noise is caused by the flow of the fridge freezer in the tubes of the system.

If you hear any other noises check that:

- The appliance is level
- Nothing is touching the rear of the appliance
- The objects on the appliance are vibrating.

### **If there is water in the lower part of the refrigerator**

#### **Check that:**

- The drain hole for the water is not clogged (use the defrost drain plug to clean the drain hole).

### **Recommendations**

- If you do not intend to use the appliance for long time (for example during the summer holidays) unplug and clean the appliance and leave the door open to prevent the formation of mildew and smells.
- To stop the appliance completely, unplug it from the main socket (for cleaning and when the doors are left open).
- If a problem persists after you have followed all the instructions above, please consult the nearest Authorised Service Centre.
- The lifetime of your appliance is stated and declared by the Department of Industry. The length of time for retaining parts required for the proper operation of the appliance is 10 years.

### **Tips for saving energy**

1. Install the appliance in a cool, well ventilated room , but not in direct sunlight and not near a heat source (radiator, cooker.. etc). Otherwise use an insulating plate.
2. Allow warm food and drinks to cool down outside the appliance.
3. When thawing frozen food, place it in the refrigerator compartment. The low temperature of the frozen food will help to cool the refrigerator compartment when it is thawing. This will help to save energy. If the frozen food is put out, it results in a waste of energy.
4. Cover drinks or other liquids when placing them in the appliance Otherwise humidity increases in the appliance. Therefore, the working time gets longer. Also covering drinks and other liquids helps to preserve smell and taste.
5. Try to avoid keeping the doors open for long periods or opening the doors too frequently as warm air will enter the cabinet and cause the compressor to switch on unnecessarily often.
6. Keep the covers of the different temperature compartments (crisper, chiller ...etc ) closed
7. Door gasket must be clean and pliable. Replace gaskets if worn.
8. It is possible to store more food by removing freezer shelf. Energy consumption is declared with maximum load and without freezer shelf.

## CUSTOMER CARE AND SERVICE

Always use original spare parts.

When contacting our Authorised Service Centre, ensure that you have the following data available: Model and Serial Number.

The information can be found on the rating plate. Subject to change without notice.

## TECHNICAL DATA

The technical information is situated in the rating plate on the internal side of the appliance and on the energy label.

The QR code on the energy label supplied with the appliance provides a web link to the information related to the performance of the appliance in the EU EPREL database.

Keep the energy label for reference together with the user manual and all other documents provided with this appliance.

It is also possible to find the same information in EPREL using the link <https://eprel.ec.europa.eu> and the model name and product number that you find on the rating plate of the appliance.

To access information about your product in the EPREL portal, you can scan the codes below:



Thank you for purchasing this product. If you need support with your product, visit our website using the links below.

**Get User manuals:** <https://www.heinner.ro>

**Get Service information:** <https://www.heinner.ro>



**Environment friendly disposal**

You can help protect the environment!

Please remember to respect the local regulations: hand in the non-working electrical equipment's to an appropriate waste disposal center.



**HEINNER** is a registered trademark of **Network One Distribution SRL**. Other brands and product names are trademarks or registered trademarks of their respective holders.

No part of the specifications may be reproduced in any form or by any means or used to make any derivative such as translation, transformation, or adaptation without permission from NETWORK ONE DISTRIBUTION.

Copyright © 2013 Network One Distribution. All rights reserved.

[www.heinner.com](http://www.heinner.com), <http://www.nod.ro>

<http://www.heinner.com>, <http://www.nod.ro>



This product is in conformity with norms and standards of European Community

Importer: **Network One Distribution**

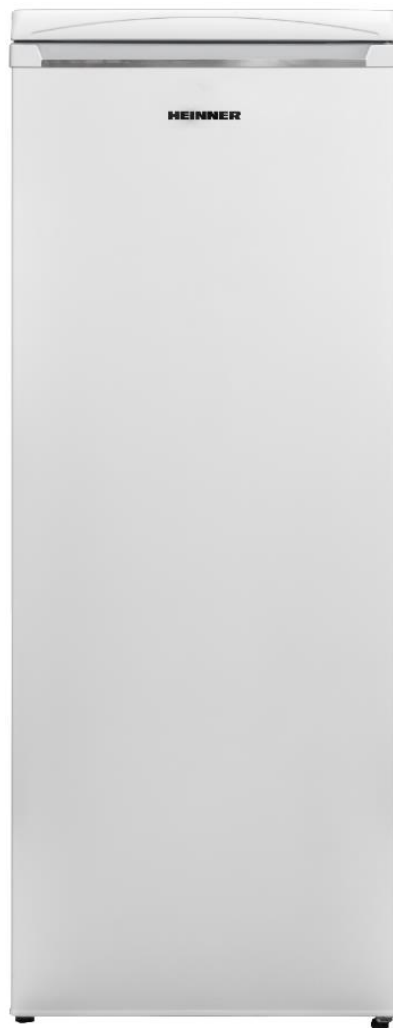
Marcel Iancu Street, 3-5, Bucharest, Romania

Tel: +40 21 211 18 56, [www.heinner.com](http://www.heinner.com) , [www.nod.ro](http://www.nod.ro)

# HEINNER

## FRIGIDER

Model: HF-V250F+



- Frigider
- Capacitate totala: 255 L
- Clasa energetica: F



Vă mulțumim pentru alegerea acestui produs!

## I. INTRODUCERE

***Înainte de a utiliza acest aparat, citiți cu atenție manualul de instrucțiuni și păstrați-l pentru consultări ulterioare.***

Acest manual este conceput pentru a vă oferi toate instrucțiunile necesare referitoare la instalarea, utilizarea și întreținerea aparatului.

Pentru utilizarea corectă și în siguranță a aparatului, vă rugăm să citiți cu atenție acest manual de instrucțiuni, înainte de instalare și utilizare.

## II. CONȚINUTUL PACHETULUI DUMNEAVOASTRĂ



- **Frigider cu doua usi**
- **Manual de utilizare**
- **Certificat de garanție**

### III. MASURI DE SIGURANTA

#### **Avertizări generale**

**AVERTIZARE:** Mențineți fantele de ventilație ale aparatului libere de obstacole.

**AVERTIZARE:** Nu utilizați dispozitive mecanice sau alte mijloace pentru a accelera procesul de dezghețare, cu excepția celor recomandate de către producător.

**AVERTIZARE:** Nu utilizați aparate electrice în interiorul compartimentelor de depozitare a alimentelor, exceptând cazul în care acestea sunt de tipul celor recomandate de către producător.

**AVERTIZARE:** Nu deteriorați circuitul agentului frigorific.

**AVERTIZARE:** Pentru a evita riscurile ce survin în urma instabilității aparatului, acesta trebuie fixat conform instrucțiunilor următoare:

**AVERTIZARE:** Când poziționați aparatul, verificați cablul de alimentare să nu fie comprimat sau deteriorat.

**AVERTIZARE:** Nu plasați prize portabile multiple sau surse de alimentare portabile la partea din spate a aparatului.



Simbol ISO 7010 W021

**AVERTIZARE:** Risc de incendiu / materiale inflamabile

- Dacă aparatul dumneavoastră utilizează agentul frigorific R600a (această informație se află pe eticheta frigiderului) trebuie să aveți grijă în timpul transportului și al instalării pentru a împiedica deteriorarea elementilor de răcire ai aparatului. Aceasta chiar dacă R600a este un gaz natural, care nu afectează mediul înconjurător. În cazul unei scurgeri provocate de deteriorarea elementilor de răcire, mutați frigiderul la distanță de flăcări deschise sau de surse de căldură și aerisiți câteva minute încăperea în care se află aparatul.
- Nu deteriorați circuitul gazului de răcire în timpul transportului și poziționării frigiderului.
- Nu depozitați în aparat substanțe explozive precum doze de aerosoli cu gaz propulsor inflamabil.
- Acest aparat este destinat a fi utilizat numai în gospodărie.
- Dacă ștecherul frigiderului nu se potrivește cu priza, el trebuie înlocuit de către producător, de agentul său de service sau de persoane cu o calificare similară, pentru a evita pericolele.
- Cablul de alimentare al frigiderului este echipat cu un ștecher special cu împământare. Acest ștecher trebuie utilizat cu o priză specială cu împământare, de 16 amperi. Dacă nu aveți o astfel de priză în locuința dumneavoastră, apelați la un electrician autorizat pentru a o instala.
- Acest produs poate fi utilizat de către copii cu vârsta minimă de 8 ani și de persoanele cu capacități fizice, senzoriale sau mentale reduse sau lipsă de experiență și cunoștințe, dacă aceștia au fost supravegheați sau instruiți cu privire la utilizarea produsului într-un mod sigur și că înțeleg pericolele implicate. Copiii nu trebuie să se joace cu produsul. Operațiunile de curățare și întreținere nu trebuie să fie efectuate de către copii fără supraveghere.
- Copiilor cu vârste cuprinse între 3 și 8 ani le este permis să introducă și să scoată alimente din aparatele frigorifice. Copiilor foarte mici (0-3 ani) nu le este permis să folosească aparatul cu excepția cazului în care se asigură supravegherea continuă a acestora. Copiii mai mari (8-14 ani) și persoanele vulnerabile pot folosi aparatele în condiții de siguranță, după ce li s-a acordat supravegherea sau instrucțiunile corespunzătoare privind utilizarea aparatului.
- În cazul în care cablul de alimentare este deteriorat, acesta trebuie înlocuit de către producător, agentul său de service sau persoane cu o calificare similară, pentru a evita pericolele.
- Acest produs nu este destinat a fi utilizat la altitudini de peste 2000 de metri.

**NOTE:**

- Înainte de instalarea și utilizarea aparatului, vă rugăm să citiți cu atenție manualul de instrucțiuni. ***Nu suntem responsabili pentru deteriorarea cauzată de utilizarea necorespunzătoare.***
- Respectați toate instrucțiunile de pe aparat și din manualul de instrucțiuni și păstrați acest manual la loc sigur, pentru a remedia problemele care ar putea interveni în viitor.
- Acest aparat este destinat uzului casnic și trebuie utilizat numai în scopurile specificate. Nu este destinat pentru uz comercial sau uz comun. O astfel de utilizare va duce la anularea garanției aparatului, iar compania noastră nu va fi responsabilă pentru pierderile care vor apărea.
- Acest aparat este produs pentru utilizarea casnică și este potrivit numai pentru răcirea/depozitarea alimentelor. Nu este potrivit utilizării comerciale sau în comun și/sau pentru depozitarea substanțelor nealimentare. Compania noastră nu este responsabilă pentru pierderile care vor apărea în caz contrar.

**AVERTIZĂRI PRIVIND SIGURANȚA:**

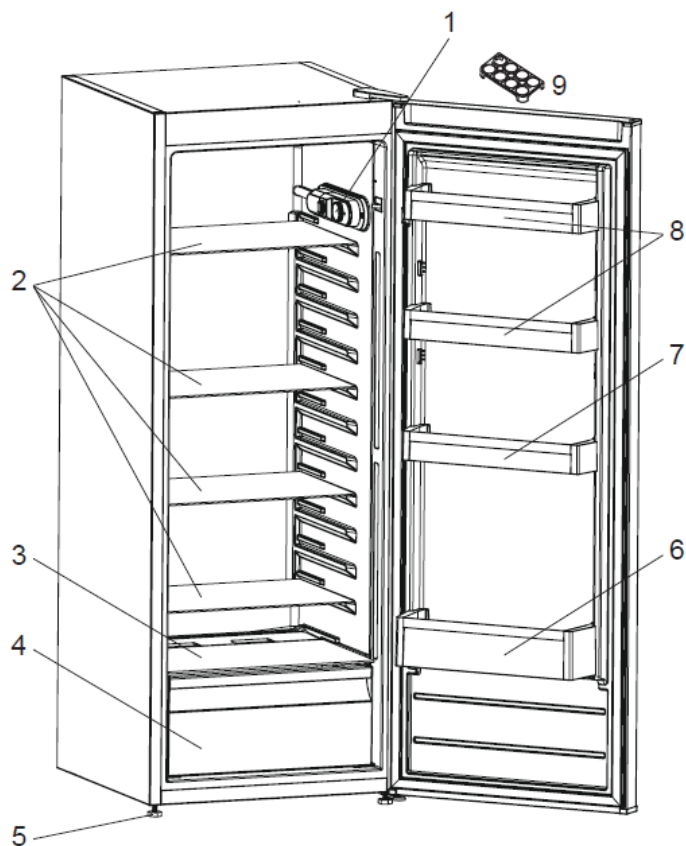
- Nu conectați aparatul frigorific la rețeaua de electricitate cu ajutorul unui prelungitor.
- Nu conectați la prize defecte, fisurate sau vechi.
- Nu trageți, îndoți sau deteriorați cablul.
- Acest aparat este proiectat pentru a fi utilizat de către adulți; nu permiteți copiilor să se joace cu acest aparat sau să se lase pe ușă.
- Nu atingeți niciodată cablul de alimentare/fișa cu mâinile ude, deoarece aceasta ar putea provoca un scurtcircuit sau un șoc electric.
- Nu amplasați materiale explozive sau inflamabile în frigider. Amplasați băuturile cu conținut ridicat de alcool în poziție verticală și asigurați-vă că recipientele sunt închise etanș.
- Nu acoperiți corpul sau partea de sus a frigiderului cu dantelă. Aceasta influențează performanța frigiderului dumneavoastră.
- Fixați accesoriile în frigider în timpul transportului, pentru a preveni deteriorarea acestora.
- Nu utilizați adaptoare de priză.
- Când ușa frigiderului este închisă, se va etanșa. Așteptați 1 minut înainte de a redeschide ușa.

**Pentru a evita contaminarea alimentelor, respectați instrucțiunile de mai jos:**

- Dacă ușa aparatului este lăsată deschisă pe perioade lungi, temperatura din compartimentele aparatului crește semnificativ.
- Curățați periodic suprafețele care pot intra în contact cu alimentele, precum și sistemele de scurgere ale aparatului.
- Păstrați carnea crudă și peștele proaspăt în recipiente corespunzătoare, astfel încât produsele să nu intre în contact cu alte alimente.
- Compartimentele de congelare cu două stele sunt potrivite pentru păstrarea alimentelor precongolate, păstrarea sau prepararea înghețatei și producerea cuburilor de gheață.
- Compartimentele cu una, două și trei stele nu sunt potrivite pentru congelarea alimentelor proaspete.
- Dacă aparatul frigorific este lăsat gol pe perioade lungi, opriți-l, decongelați-l, curățați-l, ștergeți-l bine și lăsați-i ușa deschisă, pentru a preveni formarea mucegaiului în interiorul acestuia.

## IV. DESCRIEREA PRODUSULUI

Acest aparat frigorific nu este destinat utilizării ca aparat încorporat;

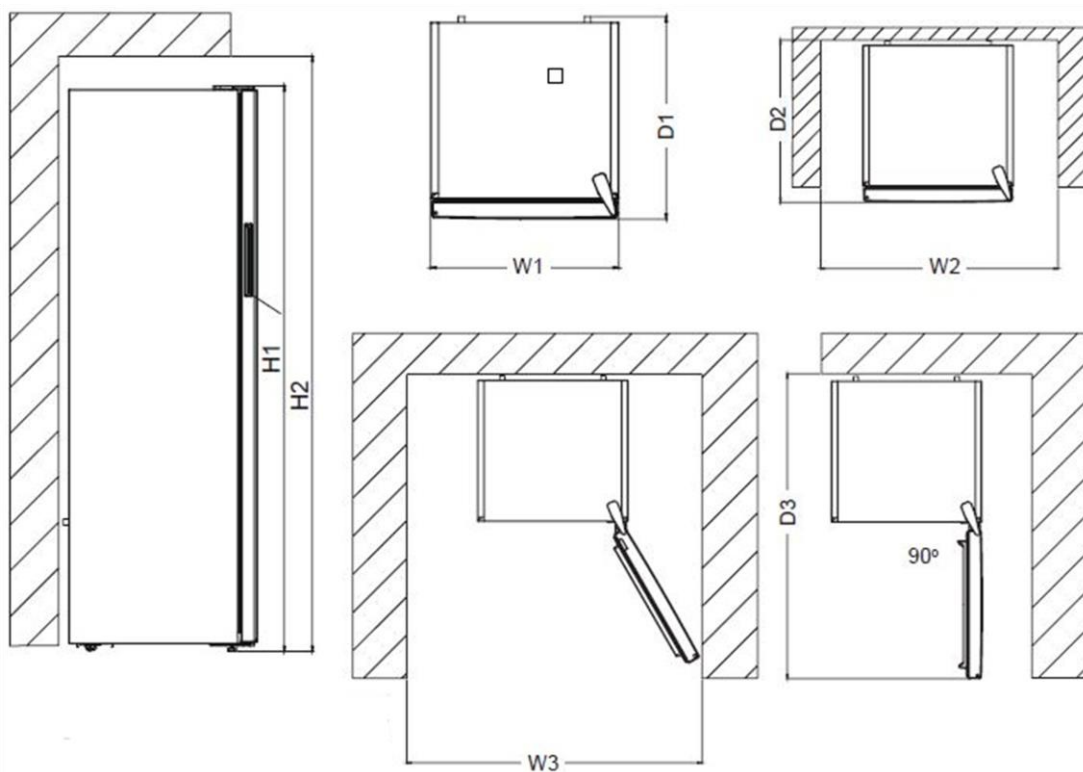


Această figură are rol informativ, ilustrând piesele și accesoriile aparatului. Piesele pot varia în funcție de modelul aparatului.

1	Termostat	6	Raft sticle
2	Rafturi frigider	7	Raft usa
3	Capac sertar	8	Rafturi usa
4	Sertar fructe si legume	9	Suport oua
5	Picior reglabil		

**Compartiment frigider:** Utilizarea cea mai eficientă a energiei este asigurată pastrand configurația rafturilor și sertarelor ca în ilustrația de mai sus: sertarele în partea de jos a frigiderului, rafturile distribuite uniform. Poziția rafturilor de pe ușă nu afectează consumul de energie.

## Dimensiuni



### Dimensiuni totale

H1	mm	1455
W1	mm	540
D1	mm	595

### Spațiu necesar în utilizare

H2	mm	1605
W2	mm	640
D2	mm	692.8

### Spațiu total necesar pentru utilizare

W3	mm	659.8
D3	mm	1142.3

## V. INSTALAREA ȘI FUNCȚIONAREA APARATULUI FRIGORIFIC

Înainte de a începe să utilizați congelatorul, acordați atenție următoarelor puncte:

- Tensiunea de funcționare a congelatorului este de 220-240 V la 50 Hz.
- Stecherul trebuie să fie accesibil după instalare.
- Înainte de a conecta frigiderul, asigurați-vă că informațiile de pe plăcuța de date (tensiune și sarcină) corespund cu cele ale sursei de energie electrică. Dacă aveți dubii, consultați un electrician calificat.
- Introduceți ștecărul într-o priză cu împământare. În cazul în care nu aveți o priză cu împământare sau priză nu se potrivește, vă recomandăm să consultați un electrician calificat pentru asistență.
- Nu ne asumăm răspunderea pentru daunele survenite din cauza utilizării fără împământare.
- Așezați frigiderul într-un loc ferit de razele soarelui.
- Aparatul dumneavoastră ar trebui să se afle la cel puțin 50 cm distanță de plite, cuptoare cu gaz și de radiatoare și ar trebui să se afle la cel puțin 5 cm distanță față de cuptoarele electrice.
- Congelatorul dumneavoastră nu trebuie utilizat niciodată în aer liber sau lăsat în ploaie.
- În momentul în care congelatorul este plasat lângă un alt congelator, ar trebui să existe o distanță de cel puțin 2 cm între acestea, pentru a preveni umezirea suprafeței exterioare.
- Nu așezați obiecte grele pe aparat.
- Nu așezați obiecte pe congelator și instalați frigiderul într-un loc potrivit, astfel încât să existe cel puțin 15 cm liberi în partea de sus.
- Picioarele frontale ajustabile ar trebui ajustate în așa fel încât să vă asigurați că aparatul dumneavoastră este stabil și la nivel. Dumneavoastră puteți regla picioarele rotindu-le în orice direcție. Această operațiune ar trebui efectuată înainte de a amplasa alimente în frigider.
- Înainte de a utiliza congelatorul, ștergeți toate componentele cu apă caldă, în care ați dizolvat o lingură de bicarbonat de sodiu, după care clătiți cu apă curată și uscați. După curățare, montați toate componentele în frigider.
- Instalați ghidul de distanță din plastic (partea cu palete negre în partea din spate) întorcându-l la 90° (după cum este ilustrat în figură), pentru a preveni condensarea prin atingerea de perete.
- Frigiderul trebuie amplasat lângă un perete, la o distanță care să nu depășească 75 mm.

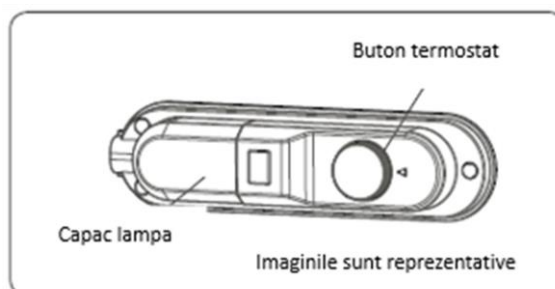
### **Înainte de utilizarea frigiderului cu congelator**

- La prima utilizare a congelatorului sau după transport, lăsați-l în poziție verticală timp de minimum 3 ore, înainte de a-l conecta la priză. Aceasta va permite funcționarea eficientă și va împiedica defectarea compresorului.
- Atunci când este pus în funcțiune pentru prima dată, congelatorul poate prezenta un miros. Acest lucru este normal, iar mirosul se va atenua odată cu răcirea congelatorului.

## VI. UTILIZAREA FRIGIDERULUI

### Configurarea termostatului

Termostatul reglează automat temperatura interioară a compartimentelor frigiderului. Temperaturile din frigider pot fi obținute rotind butonul la numere mai mari, de la 1 la 3, de la 1 la 5 (Numerele maxime de pe termostat depind de produsul dvs.).



1 – 2: Pentru depozitarea pe termen lung a alimentelor

3 – 4: Pentru depozitarea pe termen lung a alimentelor

5: Poziție de răcire maximă. Aparatul va funcționa mai mult timp, dacă este necesar, schimbați setarea de temperatură.

### Avertizari setari de temperatura

- Aparatul dumneavoastră este proiectat pentru a funcționa în intervalele de temperatură ambientală menționate în standarde, potrivit clasei de climă menționate pe eticheta cu informații. În ceea ce privește eficiența de răcire a frigiderului, nu este recomandată utilizarea acestuia în medii care depășesc intervalele prezentate de temperatură. Aceasta va reduce eficiența aparatului în procesul de răcire.
- Temperatura trebuie reglată în funcție de frecvența de deschidere a ușii, de cantitatea de alimente din aparat și de temperatura ambientală din locul în care se află aparatul.
- Atunci când aparatul este pornit pentru prima oară, lăsați-l să funcționeze 24 de ore, pentru a atinge temperatura de funcționare. În acest timp, nu deschideți ușa prea des și nici nu așezați o cantitate mare de alimente în interiorul aparatului.
- Pentru a preveni deteriorarea compresorului aparatului dvs. la conectarea acestuia la rețea sau la deconectarea de la aceasta sau în cazul unei pene de curent, aparatul este prevăzut cu o funcție de decalare de 5 minute. Aparatul va începe să funcționeze normal după 5 minute.
- Frigiderele fără congelator (răcitoarele) nu au compartiment de congelator, dar pot să răcească până la 4 - 6°C.



**Semnificatie clase climaterice:**

- temperată extinsă: acest aparat frigorific este destinat a fi utilizat la temperaturi ambiante cuprinse între 10 °C și 32 °C (**SN**);
- temperată: acest aparat frigorific este destinat a fi utilizat la temperaturi ambiante cuprinse între 16 °C și 32 °C (**N**);
- subtropicală: acest aparat frigorific este destinat a fi utilizat la temperaturi ambiante cuprinse între 16 °C și 38 °C (**ST**);
- tropicală: acest aparat frigorific este destinat a fi utilizat la temperaturi ambiante cuprinse între 16 °C și 43 °C (**T**);

## VII. DEPOZITAREA ALIMENTELOR

### Compartimentul frigider

- Pentru a reduce umiditatea și a evita formarea gheții, nu trebuie să așezați niciodată în frigider lichide în recipiente neînchise etanș. Înghețul are tendința de a se concentra în cele mai reci părți ale lichidului evaporat și, cu timpul, va necesita o decongelare mai frecventă.
- Alimentele gătite trebuie să rămână acoperite când sunt păstrate în frigider. Nu puneți alimente calde în frigider. Puneți-le atunci când sunt reci, în caz contrar temperatura/umiditatea din interiorul frigiderului vor crește, reducând eficiența frigiderului.
- Asigurați-vă că niciun element nu vine în contact cu peretele anterior al aparatului, întrucât se va forma gheață iar ambalajul se va lipi de aceasta. Nu deschideți ușa frigiderului prea frecvent.
- Vă recomandăm să împachetați mai lejer carnea și peștele și să le depozitați pe raftul din sticlă, chiar deasupra cutiei pentru legume, unde aerul este mai rece, întrucât aceasta oferă cele mai bune condiții de depozitare.
- Depozitați fructele și legumele în mod liber, în compartimentele din cutia ce le este destinată.
- Păstrarea separată a fructelor și legumelor protejează legumele sensibile la etilen (verdețuri, broccoli, morcovi etc.) de fructele care emit etilen (banane, piersici, caise, smochine etc.).
- Nu amplasați legume ude în frigider.
- Durata de depozitare a tuturor alimentelor depinde de calitatea inițială a acestora și de refrigerarea neîntreruptă înainte de depozitarea în frigider.
- Scurgerea apei din carne poate contamina alte produse din frigider. Ambalați produsele din carne și curățați scurgerile de pe rafturi.
- Nu amplasați alimente în dreptul jetului de aer.
- Consumați alimentele ambalate înainte de data de expirare recomandată.

Nu lăsați alimentele să vină în contact cu senzorul de temperatură, care se află în compartimentul frigider, pentru a păstra temperatura optimă în compartimentul frigider.

- Pentru condiții normale de funcționare este suficient să reglați temperatura frigiderului la +4°C.
- Temperatura compartimentului frigider trebuie să fie în intervalul 0-8 °C; alimentele proaspete sub 0°C îngheață și se alterează, iar peste 8 °C contaminarea bacteriană crește și alimentele se alterează.

- Nu introduceți alimente fierbinți în frigider, așteptați să se răcească la temperatura ambiantă. Alimentele fierbinți măresc temperatura în frigider și cauzează toxiinfecții alimentare și alterarea inutilă a alimentelor.
- Carnea, peștele, etc. trebuie depozitate în compartimentul răcitor pentru alimente, iar compartimentul de legume este de preferat pentru legume (dacă este disponibil).
- Pentru a preveni contaminarea încrucișată, produsele din carne nu trebuie depozitate împreună cu fructele și legumele.
- Alimentele trebuie introduse în frigider în recipiente închise sau acoperite pentru a preveni umezeala și mirosurile.

Tabelul de mai jos este un ghid rapid care vă indică cel mai eficient mod de depozitare a grupelor majore de alimente în compartimentul frigiderului dvs.

Aliment	Durăță de depozitare maximă	Amplasare în compartimentul frigiderului
Legume și fructe	1 saptamana	Cutia pentru legume
Carne și pește	2 -3 zile	Înfășurate în folie, în pungi de plastic sau în cutii pentru carne (pe raftul de sticlă)
Brânză proaspătă	3-4 zile	Pe raftul special de pe ușă
Unt și margarină	1 saptamana	Pe raftul special de pe ușă
Produse îmbuteliate lapte și iaurt	Până la data de expirare specificată de producător	Pe raftul special de pe ușă
Ouă	1 luna	Pe suportul pentru ouă
Alimente gătite	2 zile	Pe orice raft

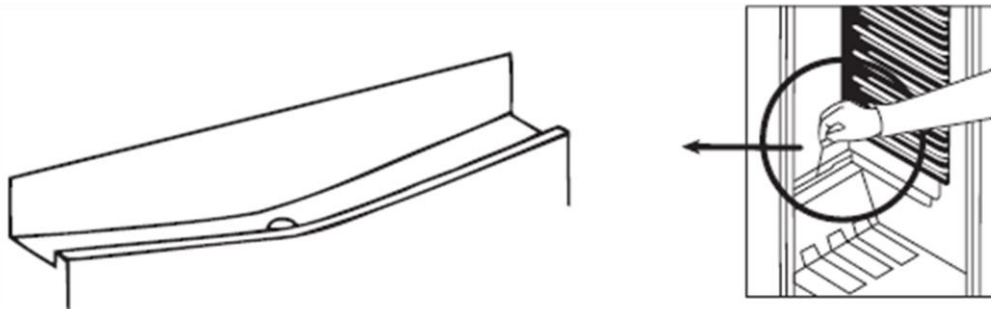
**Nota:** Cartofii, ceapa și usturoiul nu se depozitează în frigider.

## VIII. CURATARE SI INTRETINERE

- Deconectați unitatea de la sursa de alimentare înainte de curățare.
- Nu spălați congelatorul turnând apă în el.
- Asigurați-vă că apa nu intră în compartimentul cu bec al frigiderului sau în alte elemente electrice.
- Frigiderul trebuie să fie curățat periodic utilizând o soluție de bicarbonat de sodiu și cu apă caldă.
- Curățați accesoriile separat, cu apă și detergent. Nu le curățați în mașina de spălat vase.
- Nu utilizați produse abrazive, detergenți sau săpunuri. După spălare, clătiți cu apă și uscați cu grijă. După terminarea curățării, reconectați fișa la rețea, cu mâinile uscate.
- Curățați condensatorul cu perie de cel puțin două ori pe an. Aceasta va ajuta la economisirea costurilor cu energia și la creșterea productivității.

**ALIMENTAREA CU ENERGIE TREBUIE ÎNTRERUPTĂ.**

### Dezghețarea Compartimentul frigider



- Dezghețarea are loc automat în compartimentul frigider în timpul funcționării; apa rezultată din dezghețare se colectează în tava de evaporare și se evaporă spontan.
- Tava de evaporare și orificiul de evacuare a apei dezghețate trebuie curățate periodic cu tija de defundare, pentru a preveni ca apa să se adune în partea de jos a frigiderului, în loc să curgă afară.
- Puteți, de asemenea, turna 1/2 de pahar cu apă în orificiul de evacuare, pentru a curăța partea din interior.

### Înlocuirea becului tip LED

Dacă frigiderul dumneavoastră este prevăzut cu iluminare tip LED, contactați centrul de asistență deoarece acesta trebuie înlocuit doar de personal autorizat.

## TRANSPORTAREA ȘI SCHIMBAREA POZIȚIEI DE INSTALARE

### Transportarea Și Schimbarea Poziției De Instalare

- Pachetele originale și polistirenul spumă (PS) pot fi păstrate, dacă este nevoie.
- În timpul transportării, aparatul ar trebui să fie legat cu o bandă lată sau cu o frânghie puternică. Regulile inscripționate pe cutia gofrată trebuie respectate în timpul transportului.
- Înainte de a transporta sau de a schimba poziția veche de instalare, toate obiectele mobile (de ex., rastele, cutia pentru legume și fructe...) ar trebui scoase sau fixate cu benzi, pentru a preveni deteriorarea acestora.

Transportați frigiderul în poziție verticală.

### Repoziționarea ușii

- Nu este posibil să schimbați direcția de deschidere a ușii frigiderului dumneavoastră dacă mânerul ușii frigiderului este instalat din partea frontală a suprafeței ușii.
- Este posibil să schimbați direcția de deschidere a ușilor la modelele fără mâner.
- Dacă direcția de deschidere a ușii frigiderului dumneavoastră poate fi schimbată, contactați cel mai apropiat service autorizat pentru a vă schimba direcția de deschidere a ușii.

## IX. TROUBLESHOOTING

Dacă congelatorul frigorific nu funcționează corect, poate fi o problemă minoră, deci pentru a economisi timp și bani, verificați următoarele, înainte de a apela un electrician.

### **Cum să procedați dacă aparatul nu funcționează:**

#### **Verificați dacă:**

- Nu există alimentare cu energie electrică,
- Comutatorul general al locuinței dumneavoastră nu este deconectat,
- Priza nu este suficientă. Pentru a verifica acest lucru, conectați un alt aparat despre care știți că funcționează, în aceeași priză.

### **Cum să procedați dacă aparatul funcționează defectuos:**

#### **Verificați dacă:**

- Nu ați supraîncărcat aparatul,
- Temperatura frigiderului este setată la MAX.
- Închiderea ușilor este perfectă,
- Nu există praf pe condensator,
- Există destul loc între partea din spate și pereți.

### **Dacă frigiderul face prea mult zgomot:**

#### **Zgomote normale**

#### **Pârâituri (de gheață crăpată):**

- În timpul dezghețării automate.
- La răcirea sau încălzirea aparatului (datorită dilatației materialelor aparatului)

Pârâit scurt: Se aude când termostatul pornește/oprește compresorul.

#### **Zgomotul compresorului:**

- Zgomot normal al motorului: Acest zgomot indică funcționarea normală a compresorului.
- La prima pornire, compresorul poate să genereze un zgomot mai puternic pentru un scurt interval de timp.

Zgomot de bule și stropi: Acest sunet este produs de curgerea agentului frigorific prin tuburile sistemului.

Zgomot de apă care curge: Sunetul normal al apei care curge spre recipientul de evaporare în timpul dezghețării. Acest sunet poate fi auzit în timpul dezghețării.

Zgomot de aer suflat: Zgomotul normal al ventilatorului. Acest sunet poate fi auzit în frigider în timpul funcționării normale a sistemului, datorită circulației aerului.

### **Dacă marginile frigiderului care sunt în contact cu ușa aparatului sunt calde:**

În special vara (pe vreme caldă), suprafețele de contact se pot încălzi în timpul funcționării compresorului; acest lucru este normal.

**Dacă în frigider se acumulează umiditate:**

- Alimentele sunt ambalate corect? Recipientele sunt uscate înainte de a fi introduse în frigider?
- Ușile frigiderului sunt deschise frecvent? Umiditatea din încăperea pătrunde în frigider la deschiderea ușii. Umiditatea se acumulează mai rapid când deschideți mai frecvent ușa, în special dacă umiditatea din încăperea este ridicată.

**Dacă ușile nu se deschid și nu se închid corect:**

- Alimentele împiedică închiderea ușii?
- Compartimentele ușii, rafturile și sertarele sunt montate corect?
- Garniturile ușii sunt crăpate sau rupte?
- Frigiderul este montat pe o suprafață orizontală?

**NOTE IMPORTANTE:**

- Dacă aparatul este oprit sau deconectat, așteptați cel puțin 5 minute înainte de a-l conecta sau reporni, pentru a preveni deteriorarea compresorului.
- Dacă nu intenționați să utilizați frigiderul pentru o perioadă îndelungată (cum ar fi în vacanța de vară), deconectați fișa din priză. Curățați frigiderul conform instrucțiunilor din Partea 4 și lăsați ușa deschisă pentru a preveni formarea umezelii și mirosurilor.
- Dacă problema la frigider persistă, deși ați urmat instrucțiunile din acest manual, vă rugăm să vă adresați celui mai apropiat centru de service autorizat.
- Aparatul pe care l-ați cumpărat este destinat exclusiv utilizării de tip casnic. Nu este destinat pentru uz comercial sau uz comun. Dacă clientul utilizează aparatul fără a respecta aceste indicații, producătorul și distribuitorul nu își asumă răspunderea pentru reparațiile și defectele din perioada de garanție.
- Durata de funcționare a acestui produs este determinată și declarată de Ministerul Industriilor.

Perioada de valabilitate pentru a face piesele destinate produsului să funcționeze este de 10 ani.

**Sfaturi pentru economisirea energiei**

1. Instalați aparatul într-o cameră răcoroasă, bine ventilată, dar nu în lumina directă a soarelui și nici în apropierea unei surse de căldură (radiator, aragaz etc.). În caz contrar, utilizați o tablă izolatoare.
2. Lăsați alimentele și băuturile calde să se răcească în exteriorul aparatului.
3. Când decongelați alimentele congelate, așezați-le în compartimentul frigiderului. Temperatura joasă a alimentelor congelate va contribui la răcirea compartimentului frigiderului, pe măsură ce acestea se decongelează. Aceasta va ajuta la economisirea energiei. Dacă alimentele congelate sunt amplasate în afara aparatului, se risipește energie.



4. Acoperiți băuturile sau alte lichide atunci când le introduceți în aparat pentru a nu crește umiditatea înăuntru acestuia. Astfel, se prelungește timpul de funcționare. De asemenea, acoperirea băuturilor și a altor lichide va contribui la păstrarea mirosului și a gustului.
5. Încercați să nu țineți ușile deschise pentru mult timp și să nu deschideți ușile prea des, deoarece aerul cald va intra în frigider și va determina compresorul să pornească prea des.
6. Păstrați închise capacele compartimentelor cu temperaturi diferite din aparat (cutie pentru fructe și legume, răcitor etc.)
7. Garnitura ușii trebuie să fie curată și flexibilă. Înlocuiți garniturile dacă sunt uzate.
8. Consumul de energie este declarat pentru încărcare maximă și folosind doar sertarul inferior al congelatorului și raftul inferior de sticlă.

### **SERVICE ȘI ASISTENȚĂ PENTRU CLIENȚI**

Utilizați numai piese de schimb originale.

Când contactați centrul nostru de service autorizat, asigurați-vă că aveți la îndemână următoarele informații: Denumirea modelului și numărul de serie.

Informațiile pot fi găsite pe plăcuța cu date tehnice. Acestea pot suferi modificări fără o notificare prealabilă.

### **DATE TEHNICE**

Informațiile tehnice se află pe plăcuța cu date tehnice a aparatului și pe eticheta energetică.

Codul QR de pe eticheta energetică furnizată împreună cu aparatul oferă un link web către informațiile din baza de date EPREL cu privire la performanțele aparatului.

Păstrați eticheta energetică pentru consultări ulterioare, împreună cu manualul de utilizare și cu toate celelalte documente furnizate împreună cu acest aparat.

De asemenea, puteți găsi aceleași informații în baza de date EPREL, folosind link-ul <https://eprel.ec.europa.eu> și denumirea modelului o găsiți pe plăcuța cu date tehnice a aparatului.

Pentru a accesa informațiile despre produsul Dvs în portalul EPREL, puteți scana codurile de mai jos:



Vă mulțumim pentru achiziționarea acestui produs! Dacă aveți nevoie de asistență în ceea ce privește produsul dumneavoastră, vizitați site-ul nostru web utilizând linkurile de mai jos:

**Manuale de utilizare:** <https://www.heinner.ro>

**Informații referitoare la service:** <https://www.heinner.ro>



### **MASURI PENTRU PROTECTIA MEDIULUI**

Va informam ca persoanele fizice au urmatoarele obligatii prin legislatia specifica privind protectia mediului si regimul deseurilor:

- Deseurile de echipamente electrice si electronice (DEEE), pot contine substante periculoase pentru mediu si sanatatea umana. Conform OUG 5/2015, exista obligativitatea predarii acestora, pentru tratarea corespunzatoare si valorificarea componentelor reciclabile. Societatea Network One Distribution S.R.L. este platitoare de taxa de "timbru verde" pentru fiecare Echipament Electric si Electronic (EEE) pe care il pune pe piata. Acest cost asigura tratarea ulterioara a echipamentelor uzate colectate. Din acest motiv, odata ce devine deșeu, produsul EEE poate fi predat gratuit operatorului Dvs. de salubritate, la magazine atunci cand achizitionati alt echipament similar, sistemul "unul la unu" sau la punctul de colectare organizat de Primaria Sectorului / localitatii Dvs.
- Simbolul (marcajul) aplicat produselor, care indica faptul ca deseurile DEEE, bateriile si acumulatorii - fac obiectul unei colectari separate, il reprezinta o pubea barata cu o cruce.



#### ***Aceste masuri vor ajuta la protejarea mediului***

Societatea Network One Distribution S.R.L. este inregistrata in Registrul de punere pe piata a echipamentelor electrice si electronice, avand numarul de inregistrare: RO-2016-03-EEE-0201-IV. De asemenea, au fost intocmite si sunt gestionate: Registrul de Retragere EEE si Registrul de Rechemare EEE, in conformitate cu HG 322/2013. Totodata societatea este inregistrata in Registrul de punere pe piata a bateriilor, avnd numarul de inregistrare: RO-2011-03-B&A-0283.

Conformitatea cu directiva RoHS: Produsul pe care l-ați cumpărat este conform cu Directiva RoHS UE (2011/65/UE). Nu conține materialele dăunătoare și interzise specificate în Directivă.

**Va multumim ca participati alaturi de noi la protejarea mediului si a sanatatii umane!**



**HEINNER** este marcă înregistrată a companiei **Network One Distribution SRL**. Celelalte branduri și denumirile produselor sunt mărci de comerț sau mărci de comerț înregistrate ale respectivilor deținători.

Nicio parte a specificațiilor nu poate fi reprodusă sub nicio formă și prin niciun mijloc, nici utilizată pentru obținerea unor derivate precum traduceri, transformări sau adaptări, fără consimțământul prealabil al companiei NETWORK ONE DISTRIBUTION.

Copyright © 2013 Network One Distribution. Toate drepturile rezervate.

[www.heinner.com](http://www.heinner.com), <http://www.nod.ro>

<http://www.heinner.com>, <http://www.nod.ro>



Acest produs este proiectat și realizat în conformitate cu standardele și normele Comunității Europene.

Importator: **Network One Distribution**

Str. Marcel Iancu, nr. 3-5, București, România

Tel: +40 21 211 18 56, [www.heinner.com](http://www.heinner.com), [www.nod.ro](http://www.nod.ro)