

HEINNER

TRADITIONAL COOKER HOOD

Model:

HCH-490-WH/HCH-490-BK/

HCH-490-BRW/HCH-490-SS



- Traditional cooker hood
- Suction power: 304.5 m³/h
- Color: white/black/brown/stainless steel

Thank you for purchasing this product!

I. INTRODUCTION

Before using the appliance, please read carefully this instruction manual and keep it for future reference.

This instruction manual is designed to provide you with all required instructions related to the installation, use and maintenance of the appliance.

In order to operate the unit correctly and safety, please read this instruction manual carefully before installation and usage.

II. CONTENT OF YOUR PACKAGE



- **Traditional cooker hood**
- **User manual**
- **Warranty card**

III. SAFETY PRECAUTIONS

This manual explains the proper installation and use of your cooker hood, please read it carefully before using even if you are familiar with the product. The manual should be kept in a safe place for future reference.

Never to do:

- Do not try to use the cooker hood without the grease filters or if the filters are excessively greasy!
- Do not install above a cooker with a high level grill.
- Do not leave frying pans unattended during use because overheated fats or oils might catch fire.
- Never leave naked flames under the cooker hood.



- If the cooker hood is damaged, do not attempt to use.
- Do not flambé under the cooker hood.
- Caution: Accessible parts may become hot when used with cooking appliances.
- The minimum distance between the supporting surface for the cooking vessels on the hob and the lowest part of the cooker hood. (When the cooker hood is located above a gas appliance, this distance shall be at least 65 cm).
- The air must not be discharged into a flue that is used for exhausting fumes from appliances burning gas or other fuels. Range hoods and other cooking fume extractors may adversely affect the safe operation of appliances burning gas or other fuels (including those in other rooms) due to back flow of combustion gases. These gases can potentially result in carbon monoxide poisoning. After installation of a range hood or other cooking fume extractor, the operation of open flued gas appliances should be tested by a competent person to ensure that back flow of combustion gases does not occur.



Always to do:

- Important! Always switch off the electricity supply at the mains during installation and maintenance such as light bulb replacement.
- The cooker hood must be installed in accordance with the installation instructions and all measurements followed.
- All installation work must be carried out by a competent person or qualified electrician.
- Please dispose of the packing material carefully. Children are vulnerable to it.
- Pay attention to the sharp edges inside the cooker hood especially during installation and cleaning.
- Make sure the ducting has no bends sharper than 90 degrees as this will reduce the efficiency of the cooker hood.
- Warning: Failure to install the screws or fixing device in accordance with these instructions may result in electrical hazards.

- Warning: Before obtaining access to terminals, all supply circuits must be disconnected.
- Always put lids on pots and pans when cooking on a gas cooker.
- When in extraction mode, air in the room is being removed by the cooker hood. Please make sure that proper ventilation measures are being observed. The cooker hood removes odours from room but not steam.
- There shall be adequate ventilation of the room when the cooker hood is used at the same time as appliances burning gas or other fuels.
- Cooker hood is for domestic use only.
- If the supply cord is damaged, it must be replaced by the manufacturer, its service agent or similarly qualified persons in order to avoid a hazard.
- This appliance can be used by children aged from 8 years and above and persons with reduced physical, sensory or mental capabilities or lack of experience and knowledge if they have been given supervision or instruction concerning use of the appliance in a safe way and understand the hazards involved. Children shall not play with the appliance. Cleaning and user maintenance shall not be made by children without supervision.
- Caution: The appliance and its accessible parts can become hot during operation. Be careful to avoid touching the heating elements. Children younger than 8 years old should stay away unless they are under permanent supervision.
- There is a fire risk if cleaning is not carried out in accordance with the instructions.
- Regulations concerning the discharge of air have to be fulfilled.
- Clean your appliance periodically by following the method given in the chapter Maintenance.
- For safety reason, please use only the same size of fixing or mounting screw which are recommended in this instruction manual.
- Regarding the details about the method and frequency of cleaning, please refer to maintenance and cleaning section in the instruction manual.
- Cleaning and user maintenance shall not be made by children without supervision.
- When the cooker hood and appliances supplied with energy other than electricity are simultaneously in operation, the negative pressure in the room must not exceed 4 Pa (4 x 10⁻⁵ bar).
- Warning: Danger of fire. Do not store items on the cooking surfaces.
- A steam cleaner is not to be used.
- Never try to extinguish a fire with water, but switch off the appliance and then cover flame e.g. with a lid or a fire blanket.

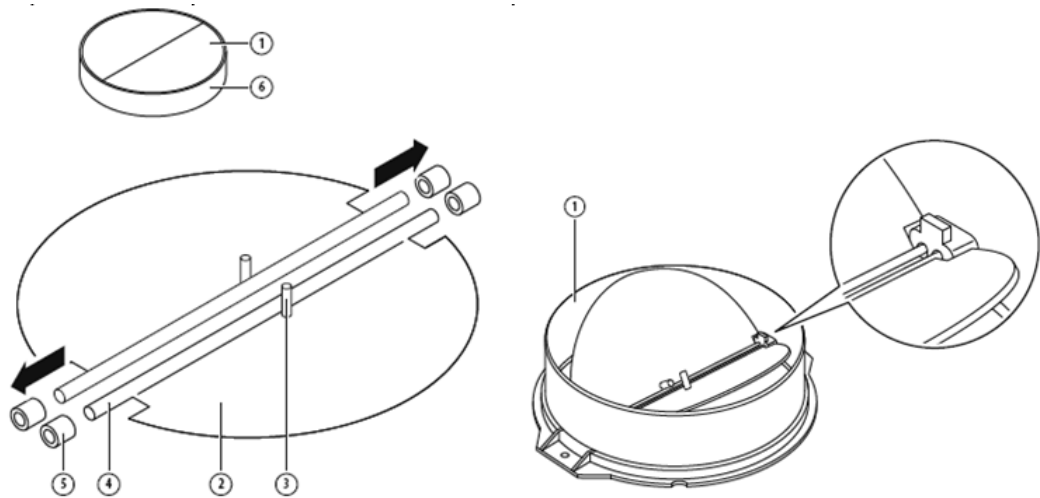
IV. INSTALATION

Mounting of the V-Flap

If the cooker hood does not have an assembled V-flap 1, you should mount the half-parts to its body. The images only show an example of how to mount the V-flap, because the outlet may vary according to different models and configurations.

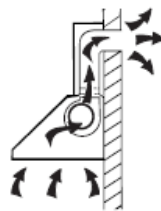
To mount the V-flap 1 you should:

- Mount two half-parts 2 into the body 6.
- The pin 3 should be top oriented.
- The axis 4 should be inserted into the holes 5 on the body.
- Repeat all the operations for the 2nd half-part.

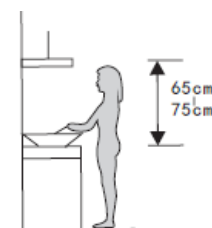


A. Wall mounting

If you have an outlet to the outside, your cooker hood can be connected as below picture by means of an extraction duct (enamel, aluminum, flexible pipe or non-flammable material with an interior diameter of 120 mm).

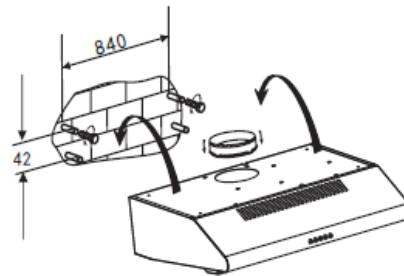


1. Before installation, turn the unit off and unplug it from the outlet.
2. The cooker hoods should be placed at a distance of 65-75cm from the cooking surface for best effect.



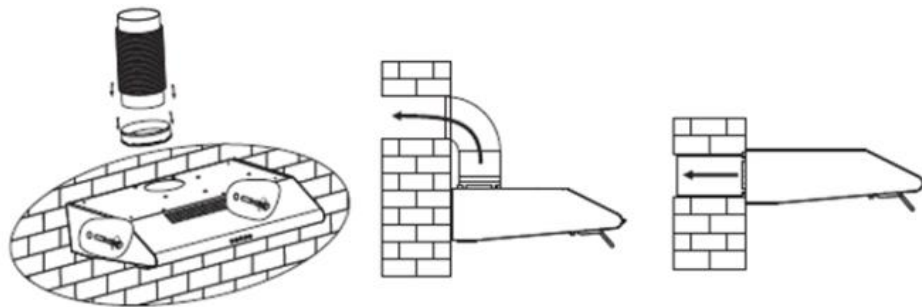
Pic 1

3. To install onto the wall, drill 4 holes of $\varnothing 8$ mm on a suitable place according with the centre distance of hole in the back of the cooker hood.



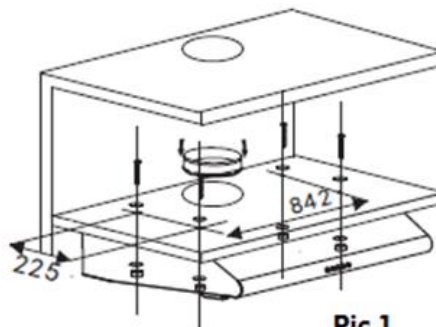
Pic 2

4. Insert the plug into the holes.
5. Insert and tight the screws into the plugs.
6. Put up the cooker hood onto the fixed screws.
7. Then use the attached accessories enclosed to turn the screws into the two holes of inside the hood, and then fix the screws to tighten the hood onto the wall.
8. Attach the outlet onto the cooker hood. Lay the expansion pipe on the outlet. Lift up the expansion pipe till it out of the wall through the hole on the wall. Note: The expansion pipe is not supplied.

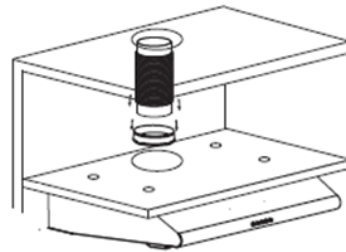


B. Cabinet mounting

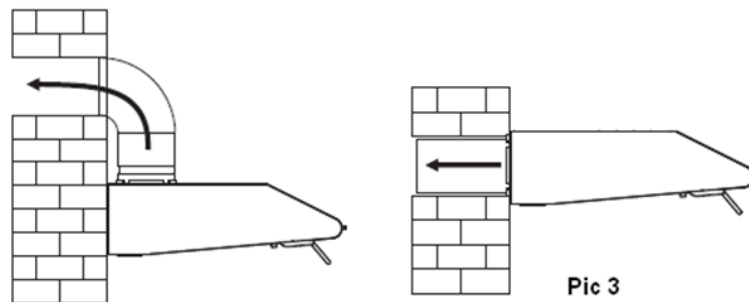
1. Drill 4 holes of $\varnothing 6$ mm at the bottom of the hanging cupboard.
2. Put the outlet on the cooker hood, then install the cooker hood on the bottom of the cupboard, tighten the cooker hood with enclosed 4 screws.
3. Install the adjusted board on the bottom of the hood in order to keep out the gap between hood back and cupboard.
4. Lay the expansion pipe on the outlet. Lift up the expansion pipe till it out of the wall through the hole on the wall. Note: The expansion pipe is not supplied.



Pic 1



Pic 2



Pic 3

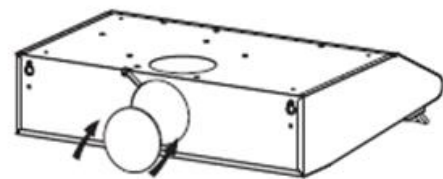
Notice: There are 2 methods for ventilation, including “horizontal ventilation” and “vertical ventilation”. Please pay attention to the ventilation method when installation.

Horizontal ventilation: See Pic 4A, please use the cover to seal the outlet on the top, then the air can be vented from the back.

Vertical ventilation: See Pic 4B, please use the cover to seal the outlet on the back, then the air can be vented from the top.



A



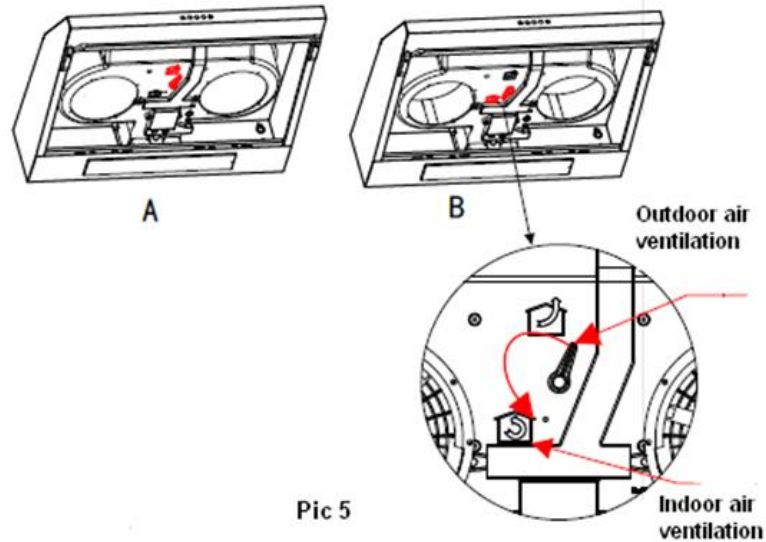
B

Pic 4

Air ventilation setting

Outdoor air ventilation: Turn the adjuster to outdoor position(pic.5A), install the outlet, turn on the cooker hood, then the air will be vented from the outside outlet.

Indoor air ventilation: Turn the adjuster to indoor position (pic.5B), install the outlet cover, turn on the cooker hood, then the air can be vented from the inside outlet.

**Warning:**

- For safety reason, please use only the same size of fixing or mounting screws which are recommended in this instruction manual.
- Failure to install the screws or fixing device in accordance with these instructions may result in electrical hazards.

V. OPERATION

Push button

1. Push the stop button, and the motor will stop.
2. Push the low button, and the motor will run at low speed.
3. Push the middle button, and the motor will run at mid speed.
4. Push the high button, and the motor will run at high speed.
5. Push the lamp button and the two lights will illuminate. Push it again and the light will turn off.



VI. TROUBLESHOOTING

Fault	Possible Cause	Solution
Light on, but motor does not work	Fan switch turned off	Select a fan switch position.
	Fan switch failed	Contact service center.
	Motor failed	Contact service center.
Light does not work, motor does not work	House fuses blown	Reset/Replace fuses.
	Mains power cable is loose or disconnected	Refit mains power cable to power outlet. Switch power outlet on.
Oil leakage	One way valve and the outlet are not tightly sealed	Take down the one way valve and seal with sealant.
	Leakage from the connection of chimney and cover	Take chimney down and seal.
Lights not working	Broken or faulty bulbs	Replace blubs as per this instruction.
Insufficient suction	The distance between the cooker hood and the gas top is too far	Refit the cooker hood to the correct distance.
The Cooker hood inclines	The fixing screw is not tight enough	Tighten the hanging screw and make it horizontal.



Note: Any electrical repairs to this appliance must conform to your local, state and federal laws. Please contact the service centre if in any doubt before undertaking any of the above. Always disconnect the unit from the power source when opening the unit.

VII. CLEANING AND MAINTENANCE

Caution:

- Before maintenance or cleaning is carried out, the cooker hood should be disconnected from the mains power supply. Ensure that the cooker hood is switched off at the wall socket and the plug removed.
- External surfaces are susceptible to scratches and abrasions, so follow the cleaning instructions to ensure the best possible result is achieved without damage.

GENERAL

Cleaning and maintenance should be carried out with the appliance cold especially when cleaning. Avoid leaving alkaline or acid substances (lemon juice, vinegar etc.) on the surfaces.

STAINLESS STEEL

The stainless steel must be cleaned regularly (e.g. weekly) to ensure a long life expectancy. Dry with a clean soft cloth. A specialized stainless steel cleaning fluid may be used.

Note: Ensure that wiping is done along with the grain of the stainless steel to prevent any unsightly crisscross scratching patterns from appearing.

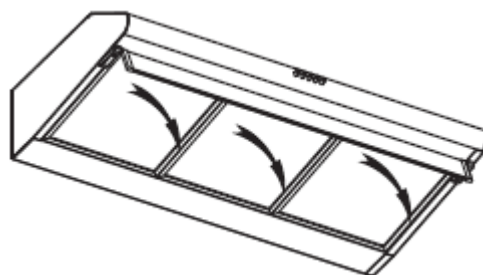
CONTROL PANEL SURFACE

The inlay control panel can be cleaned using warm soapy water. Ensure the cloth is clean and well wrung before cleaning. Use a dry soft cloth to remove any excess moisture left after cleaning.

Important: Using neutral detergents and avoid using harsh cleaning chemicals, strong household detergents or products containing abrasives, as this will affect the appearance of the appliance and potentially remove any printing of artwork on the control panel and will void manufactures warrantee.

GREASE MESH FILTERS

The mesh filters can be cleaned by hand. Soak them for about 3 minute in water with a mild detergent and then brush it gently with a soft brush. Do not apply too much pressure so as to avoid any damage to it. (Leave to dry naturally out of direct sun light) Filters should be washed separately to crockery and kitchen utensils. It is advisable not to use rinse aid.



INSTALLING GREASE MESH FILTERS

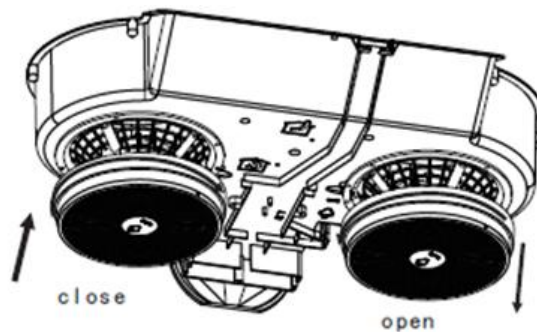
To install filters for the following four steps:

- Angle the filter into the slots at the back of the hood.
- Push the button on the handle of the filter.
- Release the handle once the filter fits into a resting position.
- Repeat to install all filters.

CARBON FILTER (not included in the package)

Activated carbon filter can be used to trap odors. Normally the activated carbon filter should be changed every 3 to 6 months according to your cooking habits. The installation procedure of activated carbon filter is as below:

1. Before installing or replacing the carbon filters, disconnect the mains power to the unit.
2. Press the filter lock and remove the mesh filter.
3. Turn the carbon filter on both side of the motor anti-clockwise. Replace the carbon filters with the new carbon filters.
4. Place the mesh filter.
5. Connect the power supply to the wall socket.



Note:

- Make sure the filter is securely locked. Otherwise, it would loosen and cause danger.
- When activated carbon filter attached, the suction power will be lowered.

BULB REPLACEMENT

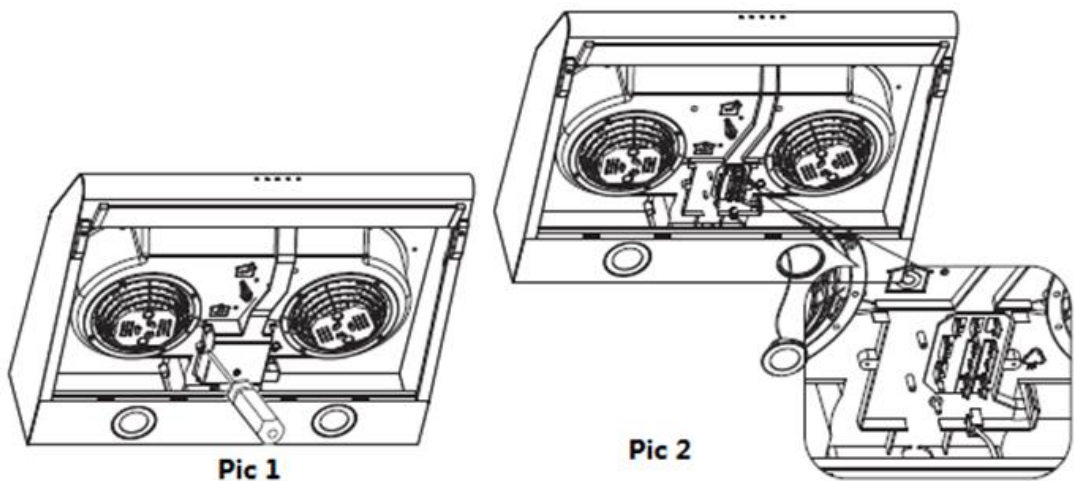
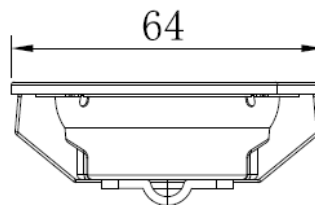
- The bulb must be replaced by the authorized service or similarly qualified persons.
- Always switch off the electricity supply before carrying out any operations on the appliance. When handling bulb, make sure it has completely cooled down before any direct contact with hands.
- When handling bulbs hold with a cloth or gloves to ensure perspiration does not come in contact with the bulb as this can reduce the life of the bulb.

Note:

- Before changing the lights, make sure that the appliance is turned off and unplugged.
- Protect against danger when changing lights, such as wearing gloves.

Changing the lights:

- Remove the grease filter.
- Use a screwdriver to unscrew the screw of the wire cover and take away the wire cover. (Pic 1)
- Use a hand to press out the LED light. Then slightly pull the light connecting wire out and dismantle the terminal of the light connecting wire to replace the lights. (Pic 2)
 - LED modules – round lamp
 - Max wattage: 2x2 W
 - Voltage range: AC 110-240V
 - Dimensions:



VIII. TECHNICAL FICHE

Suction power:	304.5 m ³ /h
Motor	2 x 60W
Color:	White/Black/Brown/Stainless steel

**Environment friendly disposal**

You can help protect the environment!

Please remember to respect the local regulations: hand in the non-working electrical equipment's to an appropriate waste disposal center.



HEINNER is a registered trademark of **Network One Distribution SRL**. Other brands and product names are trademarks or registered trademarks of their respective holders.

No part of the specifications may be reproduced in any form or by any means or used to make any derivative such as translation, transformation, or adaptation without permission from NETWORK ONE DISTRIBUTION.

Copyright © 2013 Network One Distribution. All rights reserved.

www.heinner.com, <http://www.nod.ro>

<http://www.heinner.com>, <http://www.nod.ro>



This product is in conformity with norms and standards of European Community

Importer: **Network One Distribution**

Str. Marcel Iancu, nr 3-5, Bucuresti, Romania

Tel: +40 21 211 18 56, www.heinner.com, www.nod.ro

HEINNER

HOTĂ TRADIȚIONALĂ

Model:

HCH-490-WH/HCH-490-BK/

HCH-490-BRW/HCH-490-SS



www.heinner.ro

- Hotă tradițională
- Putere de absorbție: 304.5 m³/h
- Culoare: alb/negru/maro/inox

Vă mulțumim pentru achiziționarea acestui produs!

I. INTRODUCERE

Înainte de a utiliza acest aparat, citiți cu atenție manualul de instrucțiuni. Păstrați manualul pentru consultări ulterioare.

Acest manual este conceput pentru a vă oferi toate instrucțiunile necesare referitoare la instalarea, utilizarea și întreținerea aparatului.

Pentru utilizarea corectă și în siguranță a aparatului, vă rugăm să citiți cu atenție acest manual de instrucțiuni înainte de instalare și utilizare.

II. CONȚINUTUL PACHETULUI DUMNEAVOASTRĂ



- **Hotă tradițională**
- **Manual de utilizare**
- **Certificat de garanție**

III. MĂSURI DE PRECAUȚIE

Acest manual cuprinde explicații cu privire la instalarea și utilizarea corespunzătoare a hotei dumneavoastră. Vă rugăm să citiți cu atenție manualul înainte de utilizarea produsului, chiar dacă modul de utilizare vă este cunoscut. Manualul trebuie păstrat într-un loc sigur, pentru a putea fi consultat ulterior în caz de nevoie.

Avertismente:

- Nu încercați să utilizați hota fără filtrele de grăsime sau dacă filtrele sunt foarte murdare.
- Nu instalați produsul deasupra mașinilor de gătit prevăzute cu grill extern în partea superioară.
- Nu lăsați tigăile nesupravegheate în timpul utilizării, deoarece grăsimile și uleiurile supraîncălzite pot lua foc.
- Nu lăsați niciodată surse de flacără deschisă sub hotă.



- Dacă hota prezintă deteriorări, nu încercați să o utilizați.
- Nu pregătiți sub hotă preparate flambate.
- Atenție: Componentele expuse ale aparatului pot deveni fierbinți în timpul utilizării deasupra aparatelor de gătit.
- Atunci când hota este montată deasupra unei mașini de gătit cu gaze, distanța minimă dintre suprafața de sprijin pentru vasele de gătit de pe plită și partea cea mai de jos a hotei trebuie să fie de cel puțin 65 de cm.
- Aerul evacuat nu trebuie eliberat într-un canal de fum pentru evacuarea gazelor arse în urma utilizării altor aparate. Hotele de bucătărie și alte aparate pentru îndepărtarea aburilor de la gătit pot afecta în mod negativ funcționarea în condiții de siguranță a aparatelor (inclusiv a celor situate în alte camere) care funcționează cu gaz sau alți combustibili, din cauza întoarcerii în încăperea a gazelor de ardere. Aceste gaze pot provoca otrăvirea cu monoxid de carbon. După instalarea unei hote de bucătărie sau a altor aparate pentru îndepărtarea aburilor de la gătit, aparatele pe bază de gaz cu tiraj natural trebuie verificate de către o persoană calificată, pentru evitarea întoarcerii în încăperea a gazelor de ardere.



Avertismente:

- Important! În timpul efectuării operațiilor de instalare sau întreținere (cum ar fi înlocuirea becului), opriți întotdeauna alimentarea cu energie electrică.
- Hota trebuie instalată în conformitate cu instrucțiunile de instalare.
- Toate lucrările de instalare trebuie efectuate de către o persoană calificată sau de către un electrician.
- Vă rugăm să eliminați ambalajele cu grijă. Copiii sunt vulnerabili la acestea.
- Acordați atenție muchiilor ascuțite din interiorul hotei, mai ales în timpul efectuării operațiilor de instalare și curățare.
- Asigurați-vă că tubulatura de evacuare nu are coturi la un unghi mai mic de 90 de grade, deoarece acestea reduc eficiența hotei.
- Avertisment: Montarea șuruburilor și a sistemului de prindere fără respectarea prezentelor instrucțiuni poate duce la pericole de natură electrică.

- Avertisment: Înainte de a atinge bornele, toate circuitele de alimentare trebuie să fie deconectate.
- Puneți întotdeauna capacele oalelor și tigăilor atunci când gătiți pe o mașină de gătit cu gaze.
- În timpul funcționării, hota evacuează aerul din încăpere. Vă rugăm să luați măsuri pentru asigurarea unei aerisiri corespunzătoare a încăperii. Hota elimină mirosurile din cameră, dar nu și aburul.
- Atunci când hota este utilizată cu aparate care funcționează cu gaze sau alți combustibili, trebuie asigurată o aerisire corespunzătoare a încăperii.
- Hota este destinată numai uzului casnic.
- Pentru evitarea pericolelor, în cazul în care cablul de alimentare este deteriorat, acesta trebuie înlocuit de către producător, de către agentul său de service sau de persoane cu o calificare similară.
- Aparatul poate fi utilizat de către copii cu vârste începând de la 8 ani și de către persoane cu capacități fizice, senzoriale sau mentale reduse, cu lipsă de experiență sau cunoștințe, numai dacă acestea sunt supravegheate sau instruite în ceea ce privește utilizarea în siguranță a aparatului și dacă înțeleg pericolele pe care le implică utilizarea. Copiii nu au voie să se joace cu aparatul. Curățarea și întreținerea nu trebuie efectuate de către copii nesupravegheați.
- Atenție: Aparatul și zonele expuse ale acestuia se pot încinge pe parcursul folosirii. Evitați atingerea componentelor fierbinți. Copiii cu vârste sub 8 ani nu trebuie să aibă acces la aparat, cu excepția cazului în care se află sub supraveghere permanentă.
- Există riscul de producere a incendiilor în cazul în care curățarea nu se efectuează în conformitate cu instrucțiunile.
- Trebuie respectate reglementările cu privire la evacuarea aerului.
- Curățați aparatul periodic, urmând metoda prezentată în capitolul „Întreținere”.
- Din motive de siguranță, vă rugăm să utilizați numai șuruburile de fixare sau de montaj recomandate în cadrul prezentului manual de instrucțiuni.
- Pentru detalii referitoare la metodele de curățare și frecvența cu care curățarea trebuie efectuată, consultați secțiunea referitoare la întreținere și curățare din cadrul prezentului manual de instrucțiuni.
- Curățarea și întreținerea nu trebuie efectuate de către copii nesupravegheați.
- În cazul în care hota este utilizată împreună cu aparate alimentate cu altă energie decât cea electrică, presiunea negativă din încăpere nu trebuie să depășească 4 Pa (4×10^{-5} bar).
- Avertisment: Pericol de incendiu. Nu depozitați obiecte pe suprafețele destinate gătitului.
- Nu utilizați aparate de curățare cu abur.
- Nu încercați niciodată să stingeți focul cu apă, ci opriți aparatul din funcțiune, apoi acoperiți flacăra cu un capac sau cu o pătură rezistentă la foc.

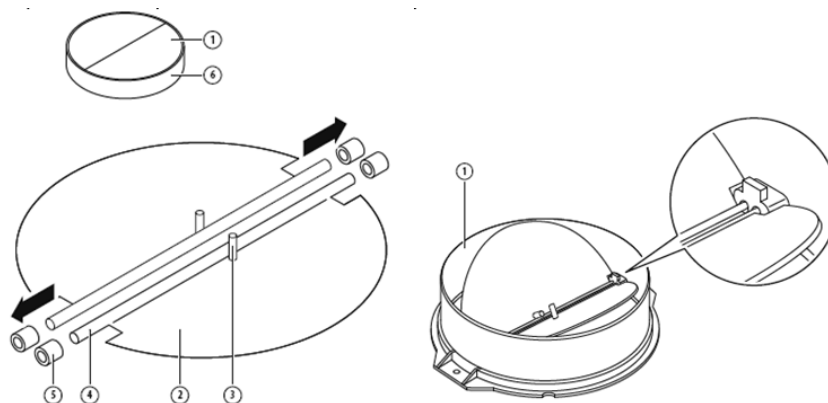
IV. INSTALARE

Montarea clapetei antiretur

În cazul în care clapeta antiretur (1) nu este montată, cele două secțiuni ale acesteia trebuie asamblate. Imaginile ilustrează doar un exemplu de montare a clapetei antiretur, configurația putând fi diferită în funcție de modelul achiziționat.

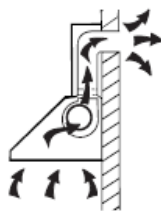
Pentru asamblarea clapetei antiretur (1), parcurgeți pașii de mai jos:

- montați cele două secțiuni (2) în carcasă (6);
- bolțul (3) trebuie orientat înspre sus;
- axul (4) trebuie introdus în orificiile (5) de pe carcasă;
- repetați pașii de mai sus pentru a doua secțiune.



A. Montarea pe perete

În cazul în care este disponibil un orificiu de evacuare către exterior, hota poate fi conectată așa cum este indicat în imaginea de mai jos, prin intermediul unui tub de evacuare (din aluminiu, țevă flexibilă sau material neinflamabil cu diametrul interior de 120 mm).



1. Înainte de instalare, opriți aparatul și deconectați-l de la sursa de alimentare cu energie electrică.
2. Pentru o funcționare optimă, hota trebuie instalată la o distanță de 65-75cm deasupra mașinii de gătit.

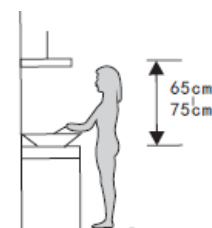


Fig. 1

3. Pentru instalarea hotei pe perete, realizați 4 găuri cu diametrul de 8 mm în locurile corespunzătoare, ținând cont de centrul orificiului situat în partea posterioară a hotei.

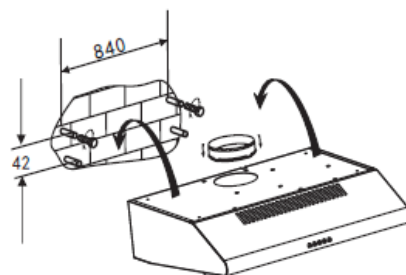
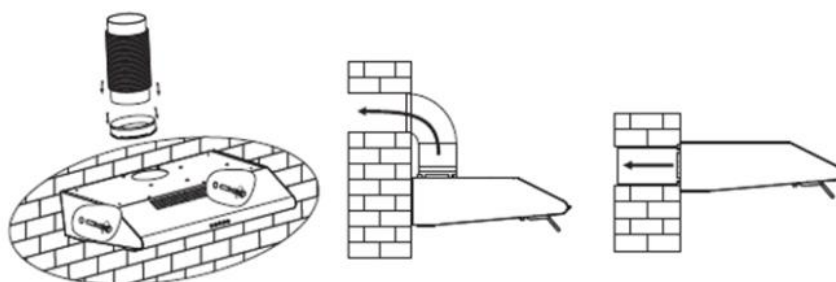


Fig. 2

4. Introduceți diblurile în găuri.
5. Introduceți șuruburile și fixați-le în dibluri.
6. Puneți hota pe șuruburile de susținere fixate.
7. Apoi utilizați accesoriile incluse pentru a poziționa șuruburile în cele două orificii din hotă, apoi strângeți șuruburile pentru a fixa hota pe perete.
8. Montați tubul de evacuare pe orificiul de evacuare al hotei. Extindeți tubul de evacuare până la pătrunderea acestuia prin gaura din perete. Notă: Tubul de evacuare nu este furnizat.



B. Montarea sub un dulap suspendat

1. Realizați 4 găuri cu diametrul de 6 mm în partea inferioară a dulapului suspendat.
2. Montați tubul de evacuare pe hotă, apoi instalați hota în partea inferioară a dulapului suspendat și fixați-o cu ajutorul celor 4 șuruburi.
3. Montați placa pe partea inferioară a hotei, pentru a elimina spațiul dintre partea posterioară a hotei și dulap.
4. Montați tubul de evacuare pe orificiul de evacuare al hotei. Extindeți tubul de evacuare până la pătrunderea acestuia prin gaura din perete. Notă: Tubul de evacuare nu este furnizat.

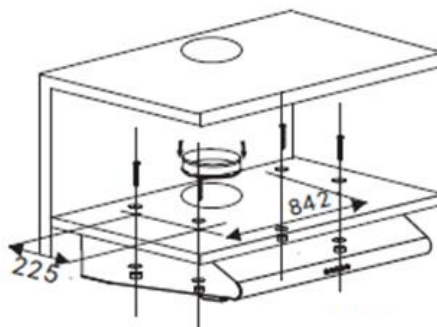


Fig. 1

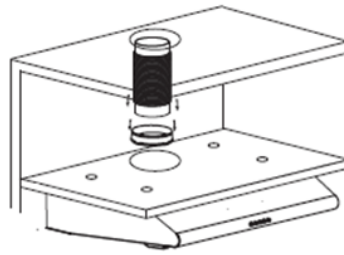


Fig. 2

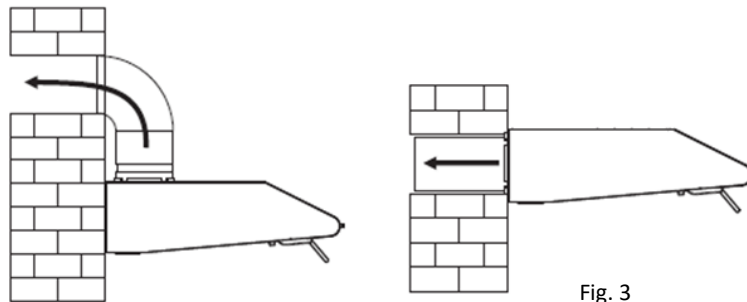


Fig. 3

Observație: Sunt disponibile două moduri de ventilare: ventilare orizontală și ventilare verticală. Vă rugăm să acordați atenție metodei de ventilare alese înainte de instalare.

Ventilare orizontală: Conform imaginii 4A, vă rugăm să utilizați capacul pentru a acoperi orificiul din partea superioară, astfel încât aerul să poată fi preluat prin spatele hotei.

Ventilare verticală: Conform imaginii 4B, vă rugăm să utilizați capacul pentru a acoperi orificiul din partea posterioară, astfel încât aerul să poată fi preluat prin partea superioară a hotei.

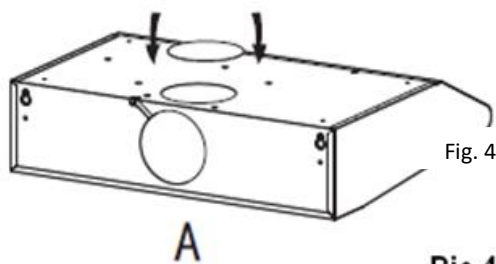
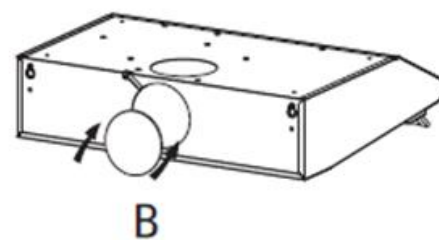


Fig. 4

A



B

Pic 4

Setarea tipului de ventilare

Preluarea aerului din exterior: Rotiți dispozitivul de reglare la poziția pentru preluarea aerului din exterior (figura 5A), montați tubul de evacuare, porniți hota, iar aerul va fi preluat din exterior.

Preluarea aerului din interior: Rotiți dispozitivul de reglare la poziția pentru preluarea aerului din interior (figura 5B), montați capacul pe orificiul de evacuare, porniți hota, iar aerul va fi preluat din interior.

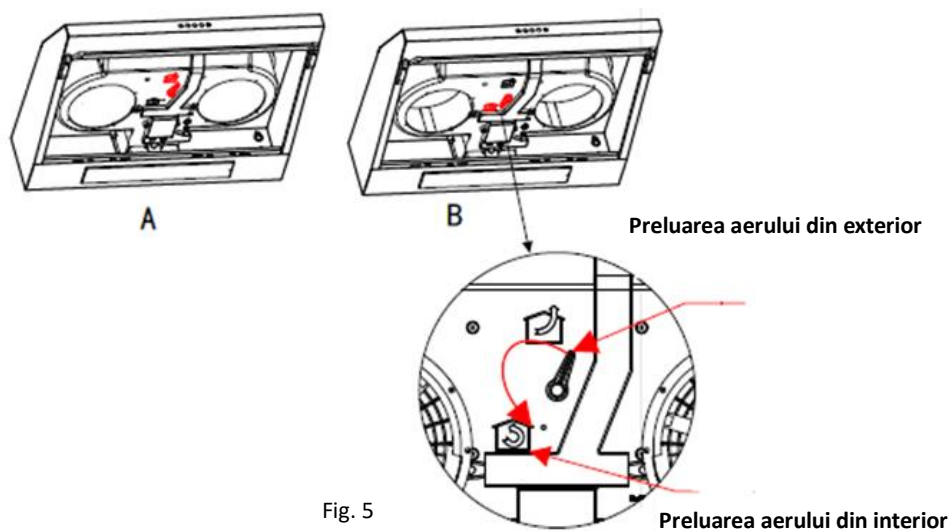
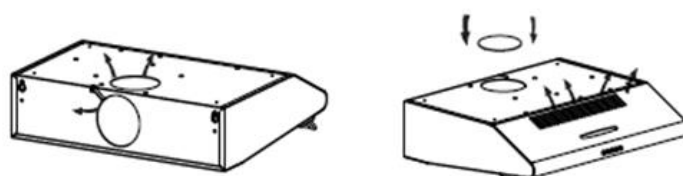


Fig. 5



Avertisment:

- Din motive de siguranță, vă rugăm să utilizați numai șuruburile de fixare sau de montaj recomandate în cadrul prezentului manual de instrucțiuni.
- Montarea șuruburilor și a sistemului de prindere fără respectarea prezentelor instrucțiuni poate duce la pericole de natură electrică.

V. PUNERE ÎN FUNCȚIUNE

Butoane de acțiune

1. Apăsați pe butonul pentru oprire, iar motorul se va opri.
2. Apăsați pe butonul pentru viteză redusă, iar motorul va funcționa la viteză redusă.
3. Apăsați pe butonul pentru viteză medie, iar motorul va funcționa la viteză medie.
4. Apăsați pe butonul pentru viteză ridicată, iar motorul va funcționa la viteză ridicată.
5. Apăsați butonul pentru lampă, iar cele două lumini se vor aprinde. Apăsați din nou pe acel buton, iar lumina se va stinge.



Oprire



Viteză redusă



Viteză medie



Viteză ridicată



Lampă

VI. REMEDIEREA PROBLEMELOR

Problemă	Cauză posibilă	Soluție
Lumina se aprinde, dar motorul nu funcționează.	Comutatorul ventilatorului este în poziția „oprit”.	Selectați o poziție de funcționare.
	Comutatorul ventilatorului este defect.	Contactați centrul de reparații.
	Motorul este defect.	Contactați centrul de reparații.
Lumina nu se aprinde, iar motorul nu funcționează.	Siguranțele din locuință sunt sărite sau arse.	Resetați sau înlocuiți siguranțele.
	Cablul de alimentare nu este conectat corespunzător sau este deconectat.	Reintroduceți cablul de alimentare în priză. Porniți sursa de alimentare.
Scurgeri de ulei.	Supapa de reținere și orificiul de evacuare nu sunt etanșate corespunzător.	Demontați supapa de reținere și utilizați material de etanșare.
	Scurgeri la nivelul racordului dintre tubul de evacuare și carcasă.	Scoateți tubul de evacuare și etanșați.
Luminile nu funcționează.	Becurile sunt defecte sau arse.	Înlocuiți becurile conform instrucțiunilor.
Absorbție insuficientă.	Distanța dintre hotă și plita mașinii de gătit este prea mare.	Montați hota la o distanță corespunzătoare.
Hota se înclină.	Șuruburile de fixare nu sunt strânse corespunzător.	Strângeți șuruburile pentru fixarea hotei în poziție orizontală.



Notă: Reparațiile componentelor electrice ale acestui aparat trebuie să respecte reglementările locale, de stat și federale. Vă rugăm să contactați centrul de reparații dacă aveți orice îndoială cu privire la efectuarea oricăreia dintre operațiile de mai sus. Deconectați aparatul de la sursa de alimentare înainte de deschiderea acestuia.

VII. CURĂȚARE ȘI ÎNTREȚINERE

Atenție:

- Înainte de efectuarea operațiilor de întreținere sau curățare, hota trebuie deconectată de la sursa de alimentare cu energie electrică. Asigurați-vă că hota este oprită și că ștecărul este scos din priză.
- Suprafețele exterioare pot fi zgâriate cu ușurință. Prin urmare, vă rugăm să urmați instrucțiunile în vederea asigurării unei curățări eficiente, fără deteriorări.

GENERALITĂȚI

Curățarea și întreținerea trebuie efectuate numai atunci când aparatul este rece. Nu lăsați resturi de substanțe alcaline sau acide (suc de lămâie, oțet etc.) pe suprafețele hotei.

COMPONENTELE DIN OȚEL INOXIDABIL

Componentele din oțel inoxidabil trebuie curățate periodic (săptămânal), în vederea asigurării unei durate de exploatare prelungite. După curățare, ștergeți-le cu o lavetă curată și uscată. Puteți utiliza un lichid special pentru curățarea suprafețelor din oțel inoxidabil.

Notă: Asigurați-vă că ștergerea este realizată astfel încât modelul suprafețelor din oțel inoxidabil să nu fie deteriorat prin zgâriere.

SUPRAFETELE PANOULUI DE COMANDĂ

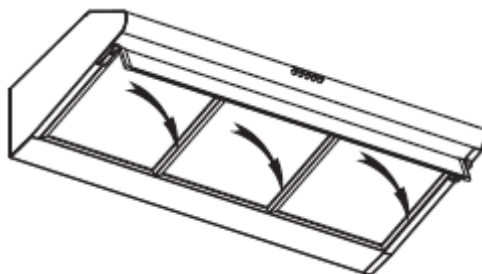
Suprafețele panoului de comandă pot fi șterse cu apă caldă cu săpun. Asigurați-vă că laveta cu care curățați suprafețele este curată și bine stoarsă. După curățare, utilizați o cârpă moale și uscată pentru îndepărtarea umezelii rămase pe suprafețe.

Important: Utilizați detergenți neutri și evitați utilizarea substanțelor chimice puternice, precum și a detergenților casnici puternici sau a produselor care conțin substanțe abrazive, deoarece acestea din urmă afectează aspectul aparatului și pot deteriora elementele imprimare, anulând garanția produsului.

FILTRELE DE GRĂSIME

Filtrele pot fi curățate manual. Lăsați-le la înmuiat timp de câteva minute în apă cu detergent slab, apoi periați-le ușor cu o perie moale. Nu exercitați o presiune excesivă asupra acestora, pentru a evita deteriorarea. Lăsați-le să se usuce natural, dar nu sub lumina directă a soarelui.

Filtrele trebuie spălate separat de veselă și ustensilele de bucătărie. Nu se recomandă utilizarea unui agent de clătire.



INSTALAREA FILTRELOR DE GRĂSIMI

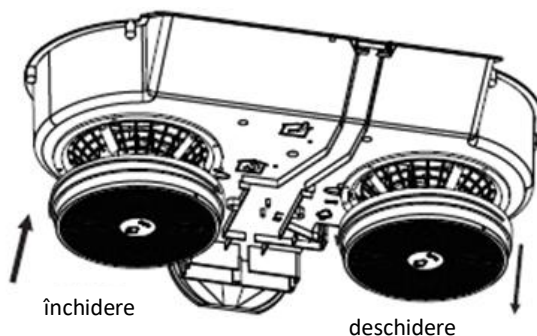
Pentru instalarea filtrelor, vă rugăm să urmați pașii de mai jos:

- Poziționați filtrul în fantele situate în partea posterioară a hotei.
- Apăsați pe butonul de pe mânerul filtrului.
- Eliberați mânerul odată ce filtrul se fixează în poziție.
- Pentru instalarea celorlalte filtre, repetați pașii de mai sus.

FILTRUL CU CĂRBUNE ACTIV (neinclus în pachet)

Filtrul cu cărbune activ poate fi utilizat pentru reținerea mirosurilor neplăcute. În funcție de frecvența de utilizare a hotei, filtrul cu cărbune activ trebuie înlocuit o dată la trei sau șase luni. Procedura de instalare a filtrului cu cărbune activ este prezentată mai jos:

1. Înainte de instalarea sau înlocuirea filtrelor cu cărbune activ, deconectați aparatul de la sursa de alimentare cu energie electrică.
2. Apăsați pe dispozitivul de fixare a filtrului și scoateți filtrul de sită.
3. Rotiți în sens contrar acelor de ceasornic filtrele cu cărbune activ de pe ambele părți ale motorului. Înlocuiți filtrele cu cărbune activ cu unele noi.
4. Puneți la loc filtrul de sită.
5. Conectați ștecărul la priza de perete.



Notă:

- Asigurați-vă că filtrul este fixat corespunzător. În caz contrar, acesta se poate slăbi și poate cauza deteriorări.
- Atunci când filtrul cu cărbune activ este montat, puterea de absorbție este mai redusă.

ÎNLOCUIREA BECULUI

- Becul trebuie înlocuit de către reprezentantul unui service autorizat sau de către persoane cu o calificare similară.
- Opriți întotdeauna alimentarea cu energie electrică înainte de efectuarea oricăror operații asupra aparatului. În timpul manevrării becului, asigurați-vă că acesta s-a răcit înainte de a-l atinge cu mâna.
- Manevrați becurile cu o cârpă sau cu mănuși, pentru a vă asigura că acestea nu sunt afectate de transpirația de pe mâini, deoarece durata de exploatare a acestora poate fi redusă.

Notă:

- Înainte de înlocuirea becurilor, asigurați-vă că aparatul este oprit și deconectat de la sursa de alimentare.
- Pentru evitarea pericolului de electrocutare, purtați mănuși de protecție în momentul înlocuirii lămpii.

Înlocuirea becurilor:

- Scoateți filtrul de grăsime.
- Utilizați o șurubelniță pentru a desface șurubul capacului și scoateți capacul. (Fig. 1)
- Scoateți cu mâna becul LED. Apoi trageți ușor firul din bornă și înlocuiți becul. (Fig. 2)
- module LED - sferice
- Putere maximă: 2x2 W
- Domeniul de tensiune: AC 110-240V
- Dimensiuni:

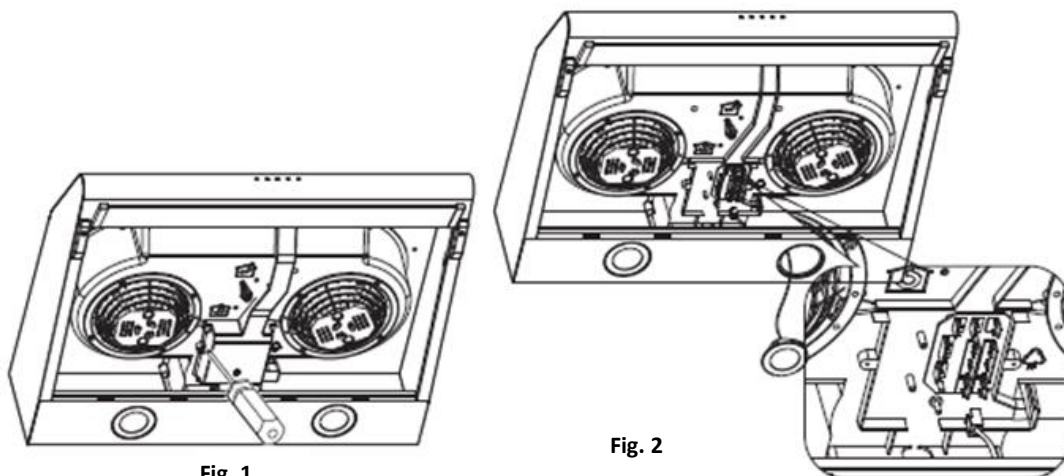
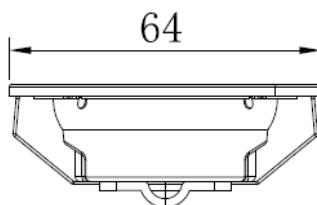


Fig. 1

Fig. 2

VIII. FIȘĂ TEHNICĂ

Putere de absorbție:	304.5 m ³ /h
Motor:	2 x 60W
Culoare:	alb/negru/maro/inox

**MASURI PENTRU PROTECTIA MEDIULUI**

Va informam ca persoanele fizice au urmatoarele obligatii prin legislatia specifica privind protectia mediului si regimul deseurilor:

- Deseurile de echipamente electrice si electronice (DEEE), pot contine substante periculoase pentru mediu si sanatatea umana. Conform OUG 5/2015, exista obligativitatea predarii acestora, pentru tratarea corespunzatoare si valorificarea componentelor reciclabile. Societatea Network One Distribution S.R.L. este platitoare de taxa de "timbru verde" pentru fiecare Echipament Electric si Electronic (EEE) pe care il pune pe piata. Acest cost asigura tratarea ulterioara a echipamentelor uzate colectate. Din acest motiv, odata ce devine deseu, produsul EEE poate fi predat gratuit operatorului Dvs. de salubritate, la magazine atunci cand achizitionati alt echipament similar, sistemul "unul la unu" sau la punctul de colectare organizat de Primaria Sectorului / localitatii Dvs.
- Simbolul (marcajul) aplicat produselor, care indica faptul ca deseurile DEEE, bateriile si acumulatorii - fac obiectul unei colectari separate, il reprezinta o pubela barata cu o cruce.

***Aceste masuri vor ajuta la protejarea mediului***

Societatea Network One Distribution S.R.L. este inregistrata in Registrul de punere pe piata a echipamentelor electrice si electronice, avand numarul de inregistrare: RO-2016-03-EEE-0201-IV. De asemenea, au fost intocmite si sunt gestionate: Registrul de Retragere EEE si Registrul de Rechemare EEE, in conformitate cu HG 322/2013. Totodata societatea este inregistrata in Registrul de punere pe piata a bateriilor, avnd numarul de inregistrare: RO-2011-03-B&A-0283.

Conformitatea cu directiva RoHS: Produsul pe care l-ați cumpărat este conform cu Directiva RoHS UE (2011/65/UE). Nu conține materialele dăunătoare și interzise specificate în Directivă.

Va multumim ca participati alaturi de noi la protejarea mediului si a sanatatii umane!



HEINNER este marcă înregistrată a companiei **Network One Distribution SRL**. Celelalte branduri și denumirile produselor sunt mărci de comerț sau mărci de comerț înregistrate ale respectivilor deținători.

Nicio parte a specificațiilor nu poate fi reprodusă sub nicio formă și prin niciun mijloc, nici utilizată pentru obținerea unor derivate precum traduceri, transformări sau adaptări, fără consimțământul prealabil al companiei NETWORK ONE DISTRIBUTION.

Copyright © 2013 Network One Distribution. Toate drepturile rezervate.

www.heinner.com, <http://www.nod.ro>

<http://www.heinner.com>, <http://www.nod.ro>



Acest produs este proiectat și realizat în conformitate cu standardele și normele Comunității Europene.

Importator: **Network One Distribution**

Str. Marcel Iancu, nr. 3-5, București, România

Tel: +40 21 211 18 56, www.heinner.com, www.nod.ro

HEINNER

ТРАДИЦИОНЕН АБСОРБАТОР

Модел:

НСН-490-WH/НСН-490-BK/

НСН-490-BRW/НСН-490-SS



www.heinner.ro

- Традиционен абсорбатор
- Сила за всмукване: 304.5 куб.м./час
- Цвят: бяло/черно/кафяво/инокс

Благодарим Ви за закупуването на този продукт!

I. ВЪВЕДЕНИЕ

Преди да използвате този уред прочетете внимателно наръчника с инструкции. Съхранявайте наръчника с цел бъдещи справки.

Този наръчник е проектиран, за да Ви предостави всички необходими инструкции относно инсталирането, използването и поддържането на уреда.

Преди инсталиране и използване на уреда, с цел правилна и безопасна употреба на уреда, моля прочетете внимателно този наръчник с инструкции.

II. СЪДЪРЖАНИЕ НА ВАШИЯ ПАКЕТ



- Традиционен абсорбатор
- Наръчник за употреба
- Сертификат за гаранция

III. ПРЕДПАЗНИ МЕРКИ

Този наръчник съдържа обяснения по отношение на съответстващото инсталиране и използване на Вашия абсорбатор. Моля прочетете внимателно наръчника преди използване на продукта, въпреки че начинът на употреба Ви е познат. Наръчникът трябва да се съхранява на сигурно място, с цел извършване на справки при необходимост.

Предупреждение:

- Не се опитвайте да използвате абсорбатора без филтрите за мазнина или ако филтрите са много замърсени.
- Не инсталирайте продукта над готварски печки, оборудвани с външен грил в горната страна.
- Не оставяйте тиганите без наблюдение по време на употреба, защото прегряната мазнина и олио могат да се запалят.
- Никога не оставяйте източници на открит пламък под абсорбатора.



- Ако абсорбаторът има повреда, не се опитвайте да го използвате.
- Не приготвяйте фламбирани ястия под абсорбатора.
- Внимание: Външните компоненти на уреда могат да се нагриват по време на употреба над готварски печки.
- Когато абсорбаторът е монтиран над готварска печка на газ, минималното разстояние между повърхността за поставяне на съдовете за готвене върху готварската печка и най-долната страна на абсорбатора трябва да бъде най-малко 65 см.
- Изведеният въздух не трябва да се освобождава в канал за дим с цел извеждане на изгорелите газове вследствие на употребата на други уреди. Кухненските абсорбатори и други уреди за отстраняване на пара от готвенето могат да повлияят неблагоприятно на безопасната работа на уредите (включително на тези, намиращи се в други стаи), които работят с газ или други горива, поради връщането на отработените газове в помещението. Тези газове могат да причинят отравяне с въглероден окис. След инсталиране на кухненски абсорбатор или на други уреди за отстраняване на парата от готвене, газовите уреди с естествена тяга трябва да бъдат проверени от квалифицирано лице, за да се избегне връщането на отработените газове в помещението.



Предупреждение:

- Важно! По време на извършване на операции за инсталиране или поддръжка (като подмяна на крушката), винаги изключвайте захранването с електроенергия.
- Абсорбаторът трябва да се инсталира в съответствие с инструкциите за инсталиране.
- Всички операции за инсталиране трябва да се извършват от квалифицирано лице или от електротехник.
- Моля изхвърляйте опаковките внимателно. Децата са уязвими от тях.
- Обърнете внимание на острите ръбове от вътрешната част на абсорбатора, особено по време на извършване на операциите за инсталиране и почистване.
- Уверете се, че тръбната система за извеждане на въздуха няма прегъвки с ъгъл по-малък от 90 градуса, защото намаляват ефективността на абсорбатора.
- Предупреждение: Монтажът на винтовете и на системата за захващане без спазване на настоящите инструкции може да доведе до опасности от електрическо естество.

- Предупреждение: Преди да докоснете клемите, всички захранващи вериги трябва да бъдат изключени.
- Винаги поставяйте капачите върху тенджерите и тиганите тогава, когато готвите върху готварската печка на газ.
- По време на функциониране абсорбаторът извежда въздуха от помещението. Моля предприемайте мерки за осигуряване на съответстващо проветрение на помещението. Абсорбаторът премахва миризмите от стаята, но не и парата.
- Когато абсорбаторът се използва заедно с уреди, които функционират на газ или с други горива, трябва да се осигурява съответстващо проветрение на помещението.
- Абсорбаторът е предназначен само за домашна употреба.
- С цел предотвратяване на опасности, ако захранващият кабел е повреден, трябва да се подмени от производителя, от неговия сервизен представител или от лица с подобна квалификация.
- Уредът може да се използва от деца на възраст най-малко 8 години и от лица с намалени физически, сетивни или умствени способности, или с липса на достатъчен опит и познания, само ако са под наблюдение или са получили указания във връзка с използването на уреда по безопасен начин и ако разбират опасностите, които могат да възникнат при използване на уреда. Децата нямат право да си играят с уреда. Почистването и поддръжката не трябва да се извършват от деца, които не са под наблюдение.
- Внимание: Уредът и неговите външни компоненти могат да се нагриват по време на употреба. Предотвратявайте докосването на горещи компоненти. Деца на възраст под 8 години не трябва да имат достъп до уреда, освен ако се намират постоянно под наблюдение.
- Съществува риск от възникване на пожар, ако почистването не се извършва в съответствие с инструкциите.
- Трябва да се спазват разпоредбите за извеждане на въздуха.
- Почиствайте периодично уреда, като следвате метода, представен в глава „Поддръжка“.
- Заради причини за безопасност, моля използвайте само винтовете за фиксиране или за монтаж, които се препоръчват в настоящия наръчник с инструкции.
- За подробни данни относно методите за почистване и честотата, с която трябва да се извършва почистването, вижте раздела за поддръжка и почистване от настоящия наръчник с инструкции.
- Почистването и поддръжката не трябва да се извършват от деца, които не са под наблюдение.
- Ако абсорбаторът се използва заедно с уреди, които се захранват с друга енергия, различна от електрическата, негативното налягане от помещението не трябва да надвишава 4 Pa (4 x 10⁻⁵ бара).
- Предупреждение: Опасност от пожар. Не съхранявайте предмети върху повърхностите, предназначени за готвене.
- Не използвайте уреди за почистване с пара.
- Никога не се опитвайте да изгасите огъня с вода, а само изключете уреда, след това покрийте пламъка с капак или с огнеупорно одеяло.

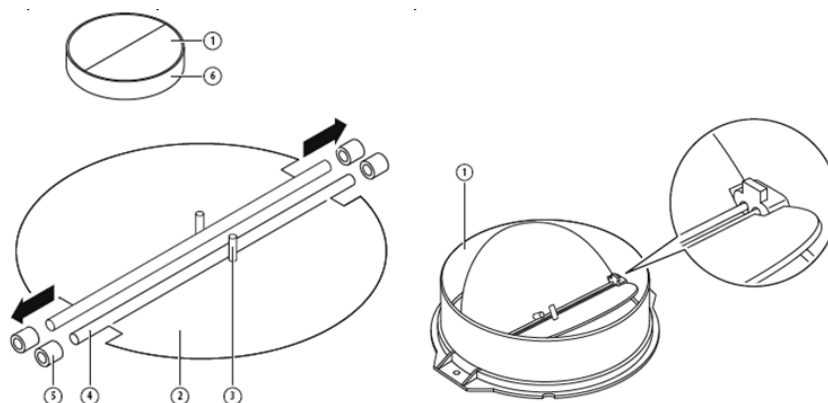
IV. ИНСТАЛИРАНЕ

Монтиране на клапата против връщане

Ако клапата против връщане (1) не е монтирана, двете нейни части трябва да се сглобят. В изображенията е показан само пример за монтаж на клапата против връщане, като конфигурацията може да е различна в зависимост от закупения модел.

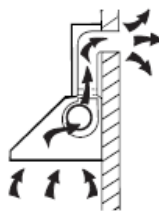
За сглобяване на клапата против връщане (1), изпълнете стъпките по-долу:

- монтирайте двете части (2) в корпуса (6);
- болтът (3) трябва да се ориентира нагоре;
- оста (4) трябва да се вкара в отворите (5) върху корпуса;
- повторете стъпките по-горе за втората част.

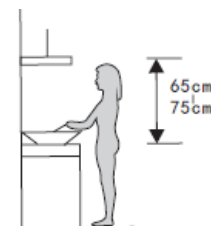


А. Монтаж на стена

Ако съществува отвор за извеждане на въздуха на открито, абсорбаторът може да се свърже, така както е посочено в долното изображение, чрез тръба за извеждане (от алуминий, гъвкава тръба или незапалим материал с вътрешен диаметър 120 мм).

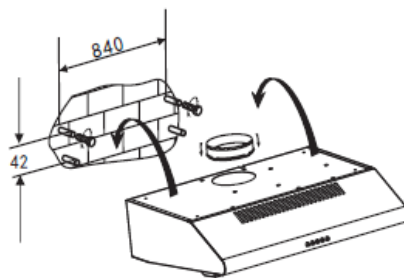


1. Преди инсталиране спрете уреда и изключете го от източника на захранване с електроенергия.
2. За оптимално функциониране абсорбаторът трябва да се инсталира на разстояние 65-75 см над готварската печка.



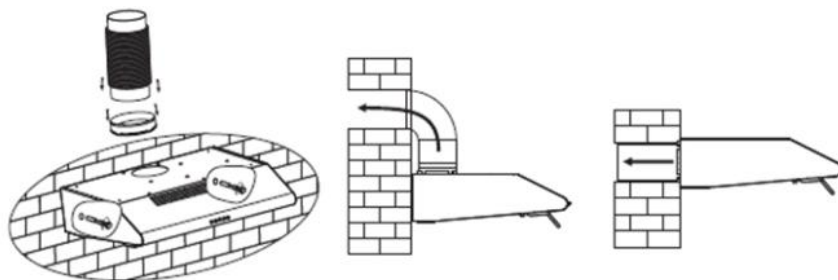
Фиг. 1

3. За да инсталирате абсорбатора на стената, направете 4 дупки с диаметър 8 мм на подходящите места, като вземете предвид центъра на отвора, разположен в задната част на абсорбатора.



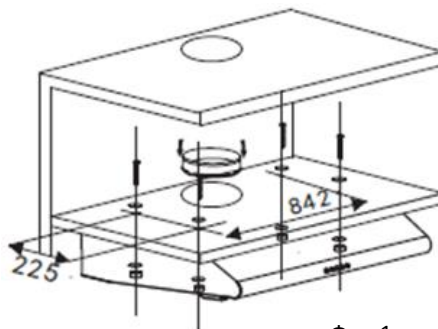
Фиг. 2

4. Поставете дюбелите в дупките.
5. Поставете винтовете и фиксирайте ги в дюбелите.
6. Поставете абсорбатора върху фиксираните задържащи винтове.
7. След това използвайте включените аксесоари, за да позиционирате винтовете в двата отвора на абсорбатора. После завийте винтовете, за да фиксирате абсорбатора към стената.
8. Монтирайте тръбата за извеждане към отвора за извеждане на абсорбатора. Удължете тръбата за извеждане, докато влезе през отвора в стената. Забележка: Тръбата за извеждане не е включена в пакета.

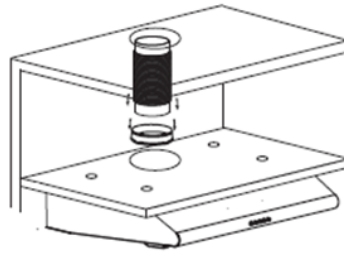


Б. Монтиране под горен шкаф

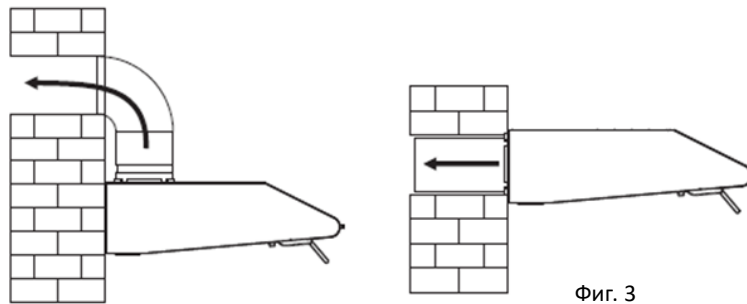
1. Направете 4 дупки с диаметър 6 мм в долната страна на горния кухненски шкаф.
2. Монтирайте тръбата за извеждане към абсорбатора. След това инсталирайте абсорбатора в долната страна на горния кухненски шкаф и фиксирайте го с помощта на 4-те винта.
3. Монтирайте плочата в долната страна на абсорбатора, за да премахнете пространството между задната част на абсорбатора и шкафа.
4. Монтирайте тръбата за извеждане към отвора за извеждане на абсорбатора. Удължете тръбата за извеждане, докато влезе през отвора в стената. Забележка: Тръбата за извеждане не е включена в пакета.



Фиг. 1



Фиг. 2

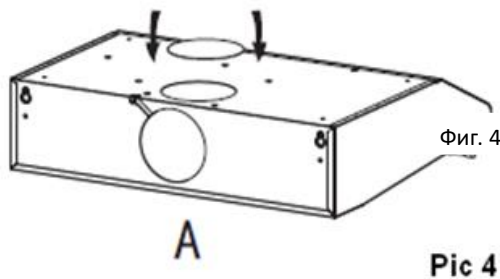


Фиг. 3

Забележка: Предлагат се два режима на вентилация: хоризонтална и вертикална. Моля, обърнете внимание на избрания метод на вентилация преди инсталиране.

Хоризонтална вентилация: Съгласно фигура 4А, моля, използвайте капака, за да покриете отвора в горната страна, така че въздухът да може да се поема през задната част на абсорбатора.

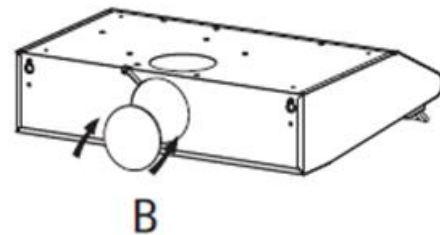
Вертикална вентилация: Съгласно фигура 4В, моля, използвайте капака, за да покриете отвора в задната част, така че въздухът да може да се поема през горната страна на абсорбатора.



Фиг. 4

A

Pic 4

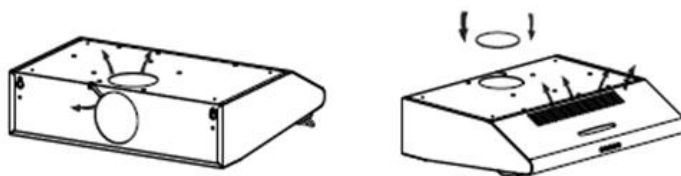
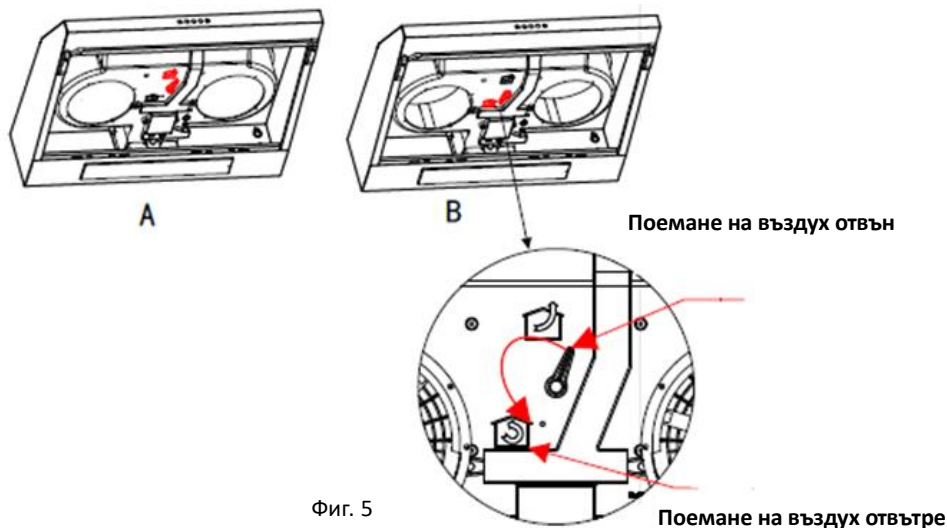


B

Настройка на типа на вентилация

Поемане на въздух отвън: Завъртете регулиращото устройство в позицията за поемане на въздух отвън (фигура 5A), монтирайте тръбата за извеждане, включете абсорбатора и въздухът ще се поема отвън.

Поемане на въздух отвътре: Завъртете регулиращото устройство в позицията за поемане на въздух отвътре (фигура 5B), монтирайте капака върху отвора за извеждане, включете абсорбатора и въздухът ще се поема отвътре.



Предупреждение:

- Заради причини за безопасност, моля използвайте само винтовете за фиксиране или за монтаж, които се препоръчват в настоящия наръчник с инструкции.
- Монтажът на винтовете и на системата за захващане без спазване на инструкциите може да доведе до опасности от електрическо естество.

V. ВЪВЕЖДАНЕ В ЕКСПЛОАТАЦИЯ

Бутони за задействане

1. Натиснете върху бутона за изключване и моторът ще се изключи.
2. Натиснете върху бутона за ниска скорост и моторът ще започне да работи при ниска скорост.
3. Натиснете върху бутона за средна скорост и моторът ще започне да работи при средна скорост.
4. Натиснете върху бутона за висока скорост и моторът ще започне да работи при висока скорост.
5. Натиснете бутона за лампата и двете крушки ще светнат. Натиснете отново върху този бутон и крушките ще изгаснат.



Изключване



Ниска скорост



Средна скорост



Висока скорост



Лампа

VI. ОТСТРАНЯВАНЕ НА ПРОБЛЕМИ

Проблем	Възможна причина	Решение
Лампата светва, но моторът не функционира.	Комутаторът на вентилатора се намира в позиция "изключено".	Изберете позиция за функциониране.
	Комутаторът на вентилатора е повреден.	Свържете се със сервизния център.
	Моторът е повреден.	Свържете се със сервизния център.
Лампата не светва и моторът не работи.	Предпазителите в жилището са изключени или са изгорели.	Включете ги отново или сменете предпазителите.
	Захранващият кабел не е свързан по съответстващ начин или е изключен от контакта.	Включете захранващия кабел отново в контакта. Включете източника на захранване.
Течове на масло.	Спирателният вентил и отворът за извеждане не са уплътнени по съответстващ начин.	Демонтирайте спирателният вентил и използвайте уплътнителен материал.
	Течове от връзката между тръбата за извеждане и корпуса.	Извадете тръбата за извеждане и уплътнете.
Осветлението не работи.	Крушките са дефектни или са изгорели.	Сменете крушките съгласно инструкциите.
Недостатъчно абсорбиране.	Разстоянието между абсорбатора и плота на готварския уред е твърде голямо.	Монтирайте абсорбатора на съответстващо разстояние.
Абсорбаторът се е наклонил.	Болтовете за фиксиране не са затегнати по съответстващ начин.	Затегнете винтовете за фиксиране на абсорбатора в хоризонтална позиция.



Забележка: При ремонт на електрическите компоненти на този уред трябва да спазват местните, държавните и федералните разпоредби. Моля свържете се със сервизния център, ако имате някакви съмнения по отношение на извършването на някоя от операциите по-горе. Изключете уреда от източника за захранване с електроенергия преди неговото отваряне.

VII. ПОЧИСТВАНЕ И ПОДДРЪЖКА

Внимание:

- Преди извършване на операции за поддръжка или почистване, абсорбаторът трябва да се изключи от източника за захранване с електроенергия. Уверете се, че абсорбаторът е изключен и че щепселът е изваден от контакта.
- Външните повърхности могат да бъдат надраскани с лекота. Следователно, моля следвайте инструкциите с оглед осигуряване на ефективно почистване, без повреждане.

ОБЩИ ПОНЯТИЯ

Почистването и поддръжката трябва да се извършват само тогава, когато уредът е студен. Не оставяйте остатъци от алкални или киселинни вещества (лимонов сок, оцет и др.) по повърхностите на абсорбатора.

КОМПОНЕНТИ ОТ НЕРЪЖДАЕМА СТОМАНА

Компонентите от неръждаема стомана трябва да се почистват периодично (ежеседмично), с оглед осигуряване на удължен период за експлоатация. След почистване избършете ги с чиста и суха кърпа. Можете да използвате специална течност с цел почистване на повърхностите от неръждаема стомана.

Забележка: Уверете се, че избърсването се извършва, така че повърхностите от неръждаема стомана да не бъдат повредени чрез надраскване.

ПОВЪРХНОСТИТЕ НА КОНТРОЛНИЯ ПАНЕЛ

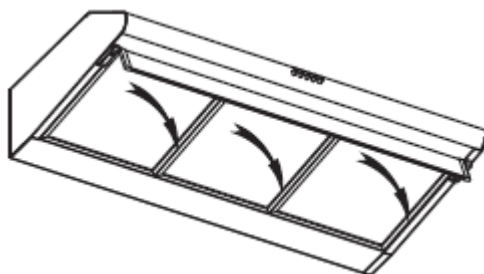
Повърхностите на контролния панел могат да се избърсват с топла вода със сапун. Уверете се, че кърпата, с която почиствате повърхностите, е чиста и добре изцедена. След почистване, използвайте мека и суха кърпа с цел премахване на останалата влага по повърхностите.

Важно: Използвайте неутрални препарати за миене и избягвайте използването на силни химични вещества, както и на силни домашни препарати за миене или на продукти, които съдържат абразивни вещества, защото последните оказват влияние върху външния вид на уреда и могат да повредят напечатаните елементи, анулирайки гаранцията на продукта.

ФИЛТРИ ЗА МАЗНИНА

Филтрите могат да се почистват ръчно. Оставете ги да се накиснат за няколко минути във вода с мек препарат за миене. След това изчеткайте ги леко с мека четка. Не прилагайте прекомерен натиск върху тях, за да избегнете повреди. Оставете ги да изсъхнат по естествен начин, но не на пряка слънчева светлина.

Филтрите трябва да се измиват отделно от кухненските съдове и прибори. Не се препоръчва използването на препарат за изплакване.



ИНСТАЛИРАНЕ НА ФИЛТРИТЕ ЗА МАЗНИНА

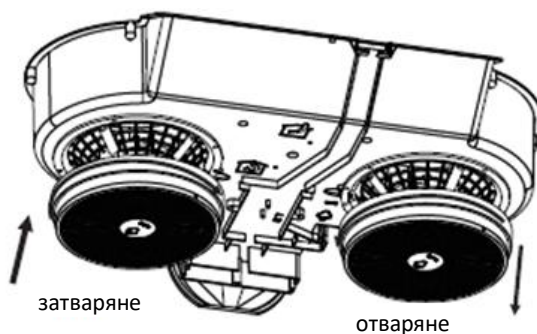
За инсталиране на филтрите, моля следвайте стъпките по-долу:

- Позиционирайте филтъра в процепите, които се намират от задната страна на абсорбатора.
- Натиснете върху бутона от дръжката на филтъра.
- Освободете дръжката след фиксиране на място на филтъра.
- За инсталиране на останалите филтри, повторете стъпките по-горе.

ФИЛТЪР С АКТИВЕН ВЪГЛЕН (не е включен в пакета)

Филтърът с активен въглен може да се използва за задържане на неприятна миризма. В зависимост от честотата на използване на абсорбатора, филтърът с активен въглен трябва да се подменя един път на три или шест месеца. Процедурата за инсталиране на филтъра с активен въглен е представена по-долу:

1. Преди да поставите или смените филтрите с активен въглен, изключете уреда от източника на захранване с електроенергия.
2. Натиснете върху устройството за фиксиране на филтъра и извадете филтъра на ситото.
3. Завъртете филтрите с активен въглен в обратна посока на часовниковите стрелки от двете страни на мотора. Сменете филтрите с активен въглен с нови.
4. Монтирайте филтъра на ситото обратно на място.
5. Включете щепсела към стенния контакт.



Забележка:

- Уверете се, че филтърът е фиксиран по съответстващ начин. В противен случай, той може да се разхлаби и може да причини повреди.
- Когато е монтиран филтърът с активен въглен, силата за всмукване е по-малка.

СМЯНА НА КРУШКАТА

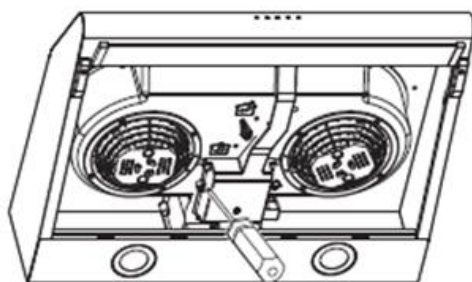
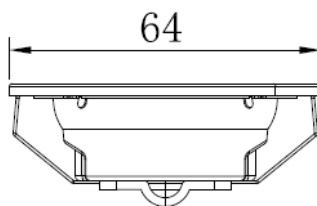
- Крушката трябва да се сменя от представител на оторизиран сервиз или от лица с подобна квалификация.
- Винаги изключвайте захранването с електроенергия преди извършване на всякакви операции върху уреда. По време на боравене с крушката, уверете се, че е изстинала преди да я докоснете с ръка.
- Захващайте крушките с кърпа или ръкавица, за да се уверите, че няма да им оказва влияние потта върху ръцете, защото тяхното време за експлоатация може да бъде намалено.

Забележка:

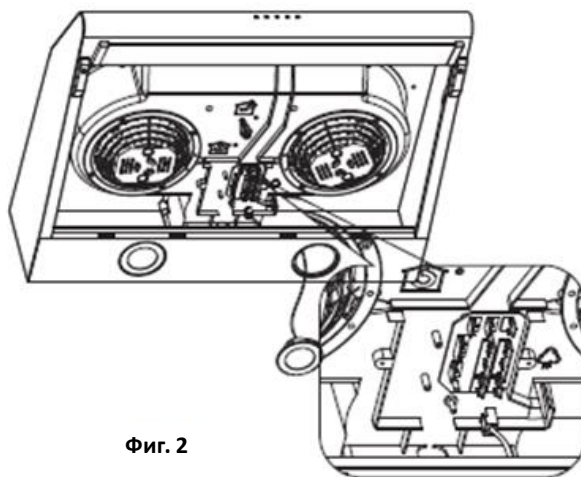
- Преди смяна на крушките уверете се, че уредът е изключен и е разкачен от източника на захранване.
- За да избегнете опасността от токов удар, носете предпазни ръкавици в момента на смяна на лампата.

Смяна на крушките:

- Извадете филтъра за мазнини.
- Използвайте отвертка, за да развиете винта на капака и свалете капака. (фигура 1)
- Извадете с ръка светодиодната крушка. След това издърпайте леко проводника от клемата и сменете крушката. (фигура 2)
 - светодиодни модули – сферични
 - Максимална мощност: 2x2 W
 - Обхват на напрежението: АС 110-240 V
 - Размери:



Фиг. 1



Фиг. 2

VIII. ТЕХНИЧЕСКИ ДАННИ

Сила за всмукване:	304.5 куб.м./час
Мотор:	2 x 60W
Цвят:	бяло/черно/кафяво/инокс

**Изхвърляне на отпадъците по начин, отговорен за околната среда**

Можете да помогнете за опазването на околната среда!

Моля спазвайте местните разпоредби: Предайте нефункциониращото електрическо оборудване на център за събиране на отпадъци от електрическо оборудване.



HEINNER е регистрирана марка на компанията **Network One Distribution SRL**. Останалите търговски марки и наименованията на продуктите са търговски марки или регистрирани търговски марки на съответните им притежатели.

Нито една част от спецификациите не може да бъде възпроизвеждана под каквато и да е форма или средство, или използвана за получаване на производни като преводи, трансформации или адаптации, без предварителното съгласие на компанията NETWORK ONE DISTRIBUTION.

Copyright © 2013 Network One Distribution. Всички права запазени.

www.heinner.com, <http://www.nod.ro>
<http://www.heinner.com>, <http://www.nod.ro>



Този продукт е проектиран и произведен в съответствие със стандартите и нормите на Европейската общност.

Вносител: **Network One Distribution**

ул. Марчел Янку № 3-5, Букурещ, Румъния

Tel: +40 21 211 18 56, www.heinner.com, www.nod.ro

HEINNER

HAGYOMÁNYOS GŐZELSZÍVÓ

Modell:

HCH-490-WH/HCH-490-BK/

HCH-490-BRW/HCH-490-SS



www.heinner.ro

- Hagyományos gőzelszívó
- Elszívó teljesítmény: 304.5 m³/h
- Szín: fehér/fekete/barna/inox

Köszönjük, hogy megvásárolta termékünket!

I. BEVEZETÉS

A készülék használata előtt figyelmesen olvassa el a jelen használati útmutatót. Utólagos tanulmányozás céljából, kérjük, őrizze meg a használati kézikönyvet.

A kézikönyvet azért szerkesztettük, hogy rendelkezésére bocsássunk a készülék üzembe helyezésére, használatára és karbantartására vonatkozó minden szükséges utasítást a.

A készülék helyes és biztonságos használata érdekében, az üzembe helyezés és használat előtt kérjük, olvassa el figyelmesen a használati kézikönyvet.

II. AZ ÖN CSOMAGJÁNAK TARTALMA



- Hagyományos gőzelszívó
- Használati kézikönyv
- Jótállási bizonylat

III. ÓVINTÉZKEDÉSEK

A használati kézikönyv utasításokat tartalmaz az Ön szagelszívójának üzemeltetésére és használatára vonatkozóan. Használat előtt kérjük, hogy figyelmesen olvassa el ezt a használati kézikönyvet, akkor is ha a használati mód ismerős az Ön számára. Őrizze meg ezt a használati kézikönyvet az utólagos tanulmányozás végett szükség esetén.

Figyelmeztetés:

- Ne használja a szagelszívót zsírszűrők nélkül vagy ha azok nagyon mocskosak.
- Ne szerelje a terméket a felső felében külső grillsütővel ellátott tűzhely fölé.
- Használat közben ne hagyja a serpenyőket felügyelet nélkül, mert a túlmelegedett zsiradékok és olajak meggyúlhatnak.
- Soha ne hagyjon a szagelszívó alatt nyitott tűzforrást.



- A meghibásodott szagelszívót ne próbálja használni.
- Ne készítsen a szagelszívó alatt flambírozott termékeket.
- Figyelmeztetés: A tűzhely fölötti használat során a készülék kitett alkatrészei felforrósodhatnak.
- Abban az esetben, ha a szagelszívót a gáztűzhely fölé szerelik, a főzőlapon levő edények támasztási felülete és a szagelszívó legalsó része közti minimális távolság 65 cm kell legyen.
- A kibocsátott levegőt ne vezesse el más készülékek használata során elégett gázok kibocsátására szolgáló füstjáratba. A konyhai gőzelszívók és a gőz főzésből történő eltávolítására szolgáló egyéb készülékek hátrányosan befolyásolhatják a gázzal vagy más tüzelőanyaggal működő főző-készülékek (beleértve a más helyiségekben lévőeket is) biztonságos működését, mivel a füstgázok visszatérnek a főzőhelyiségbe. Ezek a gázok szén-monoxid-mérgezést okozhatnak. A gőzelszívó vagy a gőz főzésből történő eltávolítására szolgáló egyéb készülékek felszerelése után a természetes huzatú gázkészülékeket képzett személynek kell ellenőriznie, hogy elkerülhető legyen a füstgázok visszatérése a helyiségbe.



Figyelmeztetés:

- Fontos! Az üzemeltetési vagy karbantartási műveletek ideje alatt (mint például az izzó kicserélése) mindig áramtalanítsa a készüléket.
- A szagelszívót az üzemeltetési utasításoknak megfelelően helyezze üzembe.
- Minden beüzemelési munkálatot egy szakembernek vagy villanyszerelőnek kell elvégeznie.
- Kérjük, hogy a csomagolóanyagokat óvatosan távolítsa el. Ezek megsebezhetik a gyermekeket.
- Az üzemeltetési és karbantartási műveletek során figyeljen oda a szagelszívó belsejében található hegyes vagy éles élekre
- Győződjön meg arról, hogy a kivezető csövezetnek nincsenek 90 fokos szög nél kisebb kanyarulatai, mert ezek csökkentik a szagelszívó hatékonyságát.
- Figyelmeztetés: A csavarok és a tartószerkezet szerelése során a jelen útmutatások betartásának elhanyagolása villanýárammal kapcsolatos veszélyekhez vezethet.

- Figyelmeztetés: A pólusokhoz történő hozzáérés előtt csatlakoztasson le minden áramkört.
- Fődjön le mindig az edényeket, amikor gáztűzhelyen főz.
- Működés közben a szagelszívó elszívja a levegőt a helyiségből. Kérjük, biztosítsa a helyiség megfelelő levegőztetését. A szagelszívó eltávolítja a kellemetlen szagokat a helyiségből, a gőzt viszont nem.
- Amikor a szagelszívót gázzal vagy egyéb üzemanyagokkal működő készülékekkel egyszerre használják, biztosítani kell a helyiség megfelelő levegőztetését.
- A páraelszívót csak háztartási használatra szánták.
- A veszély elkerülése érdekében, a sérült tápvezetéket a gyártóval, ennek hivatalos márkaszervizével vagy egy hasonló szakképzettséggel rendelkező személlyel cseréltesse ki.
- A készüléket 8 év fölötti gyermekek, csökkent fizikai, érzéki vagy szellemi képességekkel, gyakorlattal vagy ismeretekkel rendelkezők csak akkor használhatják, ha felügyelik, vagy felkészítik őket a készülék biztonságos használatára, és ha megértik a készülék használatával járó veszélyeket. Tilos gyermekeknek játszani a készülékkel. A készülék tisztítását és karbantartását nem végezhetik gyermekek felügyelet nélkül.
- Figyelem: A készülék és annak alkatrészei felforrósodhatnak a használat során. Kerülje a forró alkatrészek megérintését. A készüléket 8 évnél kisebb gyermekek csak állandó szülői felügyelet mellett használhatják.
- Tűzeset veszélye áll fenn, ha a tisztítás nem az utasítások szerint történik.
- Be kell tartani a levegő elvezetésére vonatkozó szabályokat.
- Tisztítsa rendszeresen a készüléket a „Karbantartás” fejezetben bemutatott eljárás szerint.
- Biztonsági okok miatt csak a jelen használati kézikönyvben szereplő rögzítő és szerelőcsavarokat használja.
- A készülék tisztítási módjával és annak gyakoriságával kapcsolatos utasításokért tanulmányozza jelen használati kézikönyv karbantartásra és tisztításra vonatkozó részét.
- A berendezés tisztítását és karbantartását gyerekek felnőttek felügyeletének hiányában nem végezhetik.
- Ha a szagelszívót más nem elektromos energiát használó készülékekkel együtt működteti, a negatív nyomás a helyiségben nem lehet nagyobb, mint 4 Pa (4 x 10⁻⁵ bar).
- Figyelmeztetés: Tűzveszély! Ne tároljon tárgyakat a főzésre szánt felületeken.
- Ne használjon gőztisztító készülékeket.
- A tüzet soha ne próbálja vízzel eloltani, hanem kapcsolja ki a készüléket és takarja le a lángot egy fedővel vagy tűzálló takaróval.

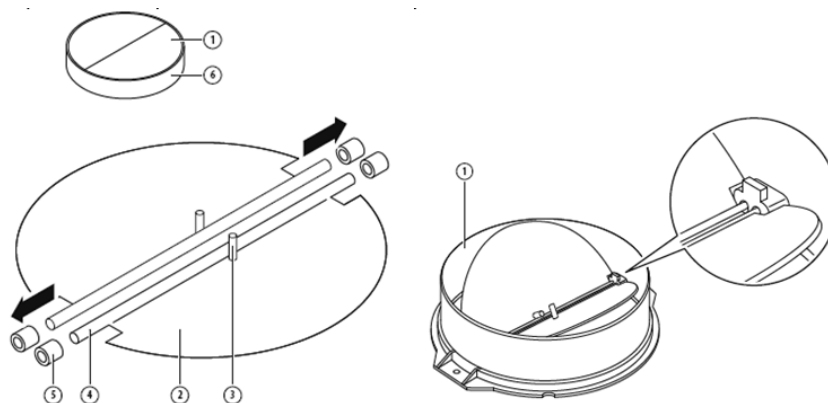
IV. BESZERELÉS

A visszakeringés gátló szelep felszerelése

Ha a visszakeringés gátló szelep (1) nincs felszerelve, két részét illessze össze. A képek csak egy példát mutatnak a visszacsapó szelep felszerelésére, a konfiguráció a megvásárolt típustól függően eltérő lehet.

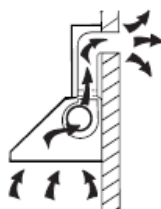
A visszakeringés gátló szelep (1) összeillesztéséhez kövesse az alábbi lépéseket:

- szerelje a burkolatba (6) a szelep két részét (2);
- a csapszeget (3) irányítsa felfelé;
- a tengelyt (4) helyezze a burkolaton található lyukakba (5);
- a második résznél ismételje meg a fenti lépéseket.

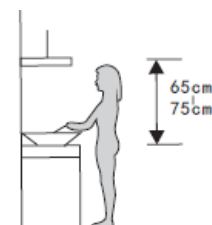


A. Falra szerelés

Ha rendelkezésre áll egy külső falon található kivezetőnyílás, akkor csatlakoztassa a szagelszívót az alábbi képen látható módon, egy elszívócső segítségével (120 mm átmérőjű gégecső, alumínium vagy más nem gyúlékony anyagból készült cső).

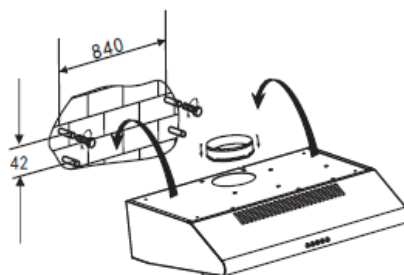


1. Üzembe helyezés előtt kapcsolja ki és áramtalanítsa a készüléket.
2. A szagelszívót az optimális működés érdekében 65~75cm-es távolságra kell a tűzhely fölé szerelni.



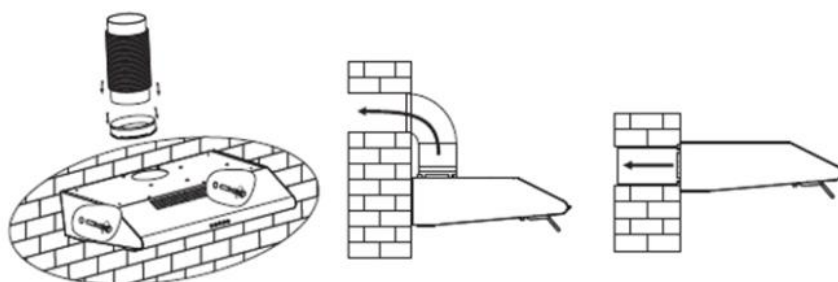
1. ábra

3. A porszívó falra szereléséhez fúrjon 4 darab 8 mm-es lyukat a megfelelő helyre a falba, tekintettel a gőzelszívó hátsó részén található nyílás közepére.



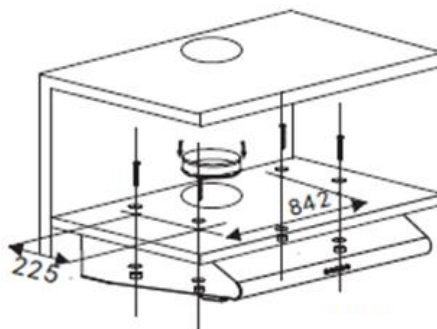
2. ábra

4. Helyezze a tipliket a lyukakba.
5. Helyezze, majd csavarozza be a csavarokat a tiplikbe.
6. A gőzelszívót helyezze a rögzített tartócsavarokra.
7. Ezután a mellékelt tartozékokkal helyezze a csavarokat a gőzelszívó két nyílásába, majd húzza meg a csavarokat a gőzelszívó falhoz való rögzítéséhez.
8. A kivezető csövet helyezze a falban lévő kivezető nyílásba. A kivezető csövet nyújtsa ki, amíg áthatol a falban lévő lyukon. Megjegyzés: A csomag nem tartalmazza a kivezető csövet.

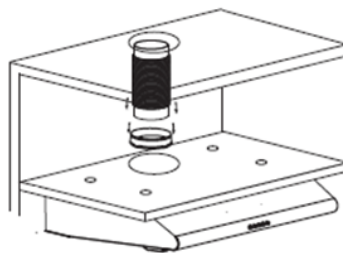


Beszereles felfüggesztett szekrény alá

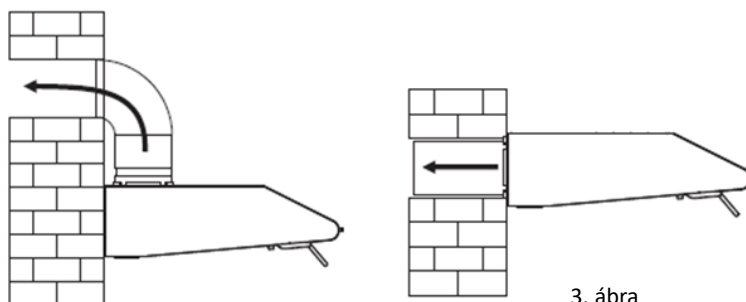
1. Fúrjon 4 darab 6 mm-es lyukat a felfüggesztett szekrény alsó részére.
2. A kivezető csövet szerelje a gőzelszívóra, majd a gőzelszívót helyezze a felfüggesztett szekrény alsó részére, és rögzítse a 4 csavar segítségével.
3. Szerelje fel a lemezt a gőzelszívó aljára, hogy megszüntesse a burkolat hátsó része és a szekrény közötti rést.
4. A kivezető csövet helyezze a falban lévő kivezető nyílásba. A kivezető csövet nyújtsa ki, amíg áthatol a falban lévő lyukon. Megjegyzés: A csomag nem tartalmazza a kivezető csövet.



1. ábra



2. ábra



3. ábra

Megjegyzés: Két szellőztetési mód lehetséges: vízszintes, illetve függőleges. Kérjük, beszerelés előtt figyeljen a választott szellőztetési módszerre.

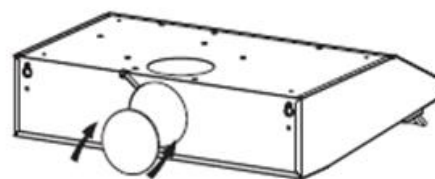
Vízszintes szellőztetés: A 4A ábra szerint a fedél segítségével fedje le a felső nyílást, hogy a levegő a gőzelszívó hátsó részén át tudjon áramlani.

Függőleges szellőztetés: A 4B ábra szerint a fedél segítségével fedje le a hátsó részen levő nyílást, hogy a levegő a gőzelszívó felső részén át tudjon áramlani.



4. ábra

A



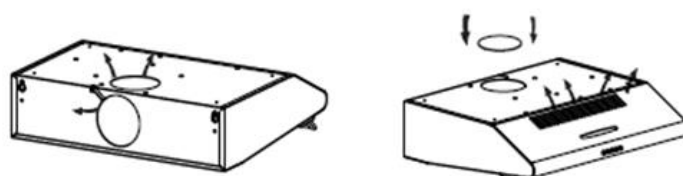
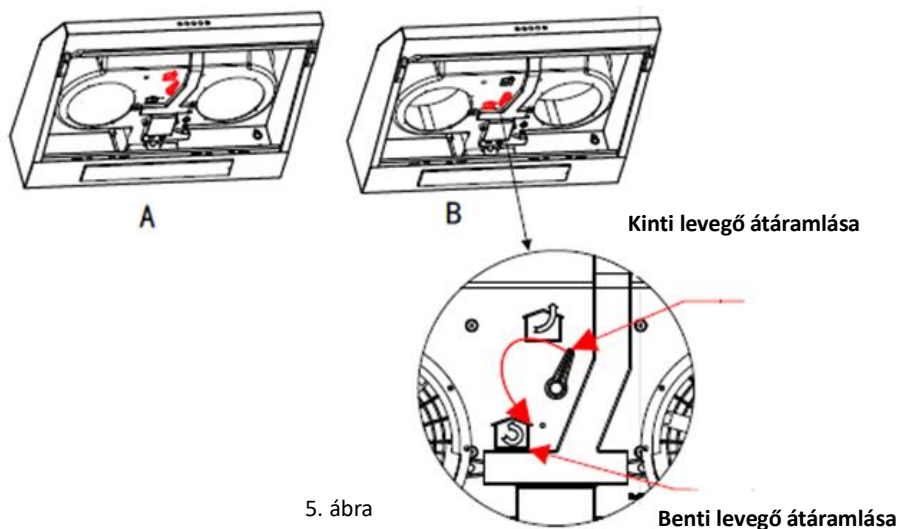
B

Pic 4

A szellőztetés típusának beállítása

Kinti levegő átáramlása: Fordítsa az állítóeszközt abba a helyzetbe, hogy kívülről levegőt szívjon be (5A ábra), szerelje be a szellőztető csövet, indítsa el a gőzelszívót, és a levegő kívülről áramlik.

Benti levegő átáramlása: Fordítsa az állítóeszközt abba a helyzetbe, hogy a levegőt bentől szívja be (5B ábra), szerelje fel a fedőt a szellőztető csőre, indítsa el a gőzelszívót, és a levegő bentől áramlik.

**Figyelmeztetés:**

- Biztonsági okok miatt csak a jelen használati kézikönyvben szereplő rögzítő és szerelőcsavarokat használja.
- A csavarok és a tartószerkezet szerelése során a jelen útmutatások betartásának elhanyagolása villanyárammal kapcsolatos veszélyekhez vezethet.

V. ÜZEMBEHELYEZÉS

Kapcsológombok

1. Nyomja meg a kikapcsoló gombot, és a motor megáll.
2. Nyomja meg az alacsony sebességfokozat gombot és a motor alacsony sebességen fog dolgozni.
3. Nyomja meg az átlagos sebességfokozat gombot és a motor átlagos sebességen fog dolgozni.
4. Nyomja meg a magas sebességfokozat gombot és a motor magas sebességen fog dolgozni.
5. Nyomja meg az izzólámpa bekapcsoló gombot és mindkét fény kigyúl. Nyomja meg újra ezt a gombot és a fény kialszik.



Leállítás



Alacsony sebességfokozat



Közepes sebességfokozat



Magas sebességfokozat



Világítótest

VI. PROBLÉMAMEGOLDÁS

Probléma	Lehetséges ok	Megoldás
A fény felgyúl, de a motor nem működik.	A ventilátor kapcsolója a „kikapcsolva” helyzetben van.	Válasszon ki egy üzemelési helyzetet.
	A ventilátor kapcsolója hibás.	Vegye fel a kapcsolatot a javítási központtal.
	A motor hibás.	Vegye fel a kapcsolatot a javítási központtal.
A fény nem gyúl fel és a motor nem működik.	A lakásban lévő biztosítékok elmozdultak vagy kiégtek.	Állítsa vissza vagy cserélje ki a biztosítékokat.
	A tápvezeték nem megfelelő vagy nincsen csatlakoztatva.	Csatlakoztassa a tápkábelt az aljzathoz. Kapcsolja be az energiaforrást.
Olajszivárgás.	A visszatartó szelep és a szellőztető nyílás nincs megfelelően tömítve.	Válassza le a visszatartó szelepet és használjon szigetelő anyagot.
	Szivárgás a szellőztető cső és a burkolat csatlakozása szintjén.	Távolítsa el a szellőztető csövet helyezzen el tömítést.
A fények nem működnek.	Az égők meghibásodtak vagy kiégtek.	Cserélje ki az izzókat az utasítások szerint.
Elégtelen elszívás.	Túl nagy a távolság a gőzelszívó és a tűzhely főzőlapja között.	Szerelje a gőzelszívót megfelelő távolságra.
A gőzelszívó elbillen.	A rögzítőcsavarok nincsenek megfelelően elhelyezve.	Szorítsa meg a csavart a gőzelszívó vízszintes helyzetben való rögzítése érdekében.



Megjegyzés: A készülék elektromos alkatrészeinek javítása esetén a helyi, az országos és a szövetségi szabályozásokat kell tiszteletben tartania. Kérjük, vegye fel a kapcsolatot a javító központtal, ha bármelyik fentebb említett művelet végrehajtására vonatkozóan kételyei vannak. A készülék felnyitása előtt csatlakoztassa le azt a tápforrásról.

VII. TISZTÍTÁS ÉS KARBANTARTÁS

Figyelem:

- A szagelszívó karbantartási vagy tisztítási műveleteinek elvégzése előtt távolítsa el annak dugaszát a villamos hálózathoz. Győződjön meg arról, hogy kihúzta a dugaszt a csatlakozóból.
- A külső felületek könnyen megkarcolhatóak. Ebből kifolyólag kérjük, hogy kövesse az utasításokat a hatékony és sérülésmentes tisztítás érdekében.

ÁLTALÁNOSSÁGOK

A tisztítást és karbantartást csak akkor végezzük, amikor a készülék már kihűlt. Ne maradjon a szagelszívón lúgos vagy savas hatású vegyszermaradvány (citromlé, ecet stb.).

NEM OXIDÁLÓDÓ ACÉL ALKATRÉSZEK

A nem oxidálódó acél alkatrészeket időszakosan kell tisztítani (hetente) a hosszabb élettartam biztosítása érdekében. Tisztítás után törölje le egy tiszta és száraz puha ronggyal. Használhat egy speciális folyadékot is a nem oxidálódó felületek tisztításához.

Megjegyzés: Győződjön meg róla, hogy a törlés során nem károsodnak a nem oxidálódó acél felületek karcolás által.

A KEZELŐPANEL FELÜLETEI

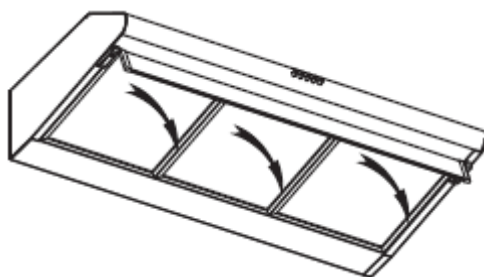
A kezelőpanel felületeit letisztíthatja meleg vízzel és szappannal. Győződjön meg róla, hogy a tisztításhoz használt puha rongy tiszta és jól ki van csavarva. Tisztítás után használjon egy száraz puha rongyot a felületek szárazra törléséhez.

Fontos: Használjon semleges tisztítószereket és kerülje az erős kémiai vegyszerek valamint az erős háztartási tisztítószerek használatát, a csiszolóanyagokat tartalmazó termékeket, mivelhogy az utóbbiak megváltoztathatják a készülék kinézetét és megrongálhatják a nyomtatott elemeket ez által megsemmisítve a termék szavatosságát.

ZSIRADÉKSZŰRŐK

A szűrők kézzel tisztíthatók. A zsiradék eltávolításához hagyja jól kiázni pár percig mosogatószeres vízben majd egy puha kefével kefélje át. A károsodás megelőzése céljából kérjük, ne gyakoroljon erős nyomást a szűrőkre. Árnyékos helyen hagyja a szűrőket megszáradni.

A szűrőket nem ajánlatos együtt tisztítani edényekkel vagy más konyhai eszközökkel. Nem ajánlott öblítő szer használata.



A ZSÍRSZŰRŐK BEÜZEMELÉSE

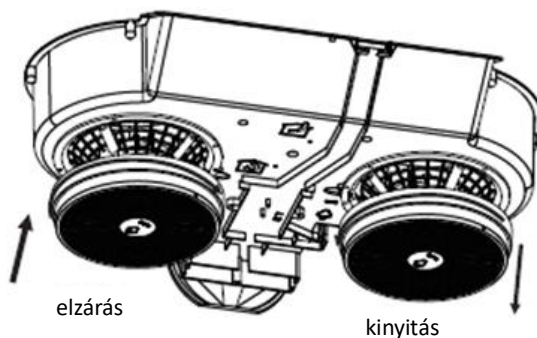
A zsírszűrők beüzemeléséhez kérjük az alábbi lépések szerint járjon el:

- Helyezze a szűrőket a szagelszívó hátsó részén található részbe.
- Nyomja meg a szűrő nyelén található gombot.
- Engedje el a nyelet miután a szűrő a helyére került.
- A többi szűrő beüzemeléséhez ismétlje meg a fenti lépéseket.

AKTÍV SZÉNSZŰRŐ (a csomag nem tartalmazza)

Az aktív szénzsűrőt a kellemetlen szagok visszafogására használják. A szagelszívó használatának gyakoriságától függően az aktív szénzsűrőket három vagy hat hónaponként le kell cserélni. Az aktív szénzsűrők beüzemelése az alábbiak szerint történik:

1. A karbantartási műveletek megkezdése előtt húzza ki a készüléket a villamosenergia hálózat csatlakozó aljzatából.
2. Nyomja meg a szűrő rögzítő eszközt és távolítsa el a szita-szűrőt.
3. Forgassa az aktív szénzsűrőket a motor mindkét oldalán az óramutató járásával ellentétes irányba. Cserélje le az aktív szénzsűrőket ujakra.
4. Helyzze vissza a szűrőszitát.
5. Csatlakoztassa a dugaszt az áramforráshoz.



Megjegyzés:

- Győződjön meg róla, hogy a szűrő megfelelően van rögzítve. Ellenkező esetben ez meggyengülhet és károsodásokat okozhat.
- Amikor az aktív szénzsűrő fel van szerelve a szívóerő gyengébb.

AZ IZZÓ KICSERÉLÉSE

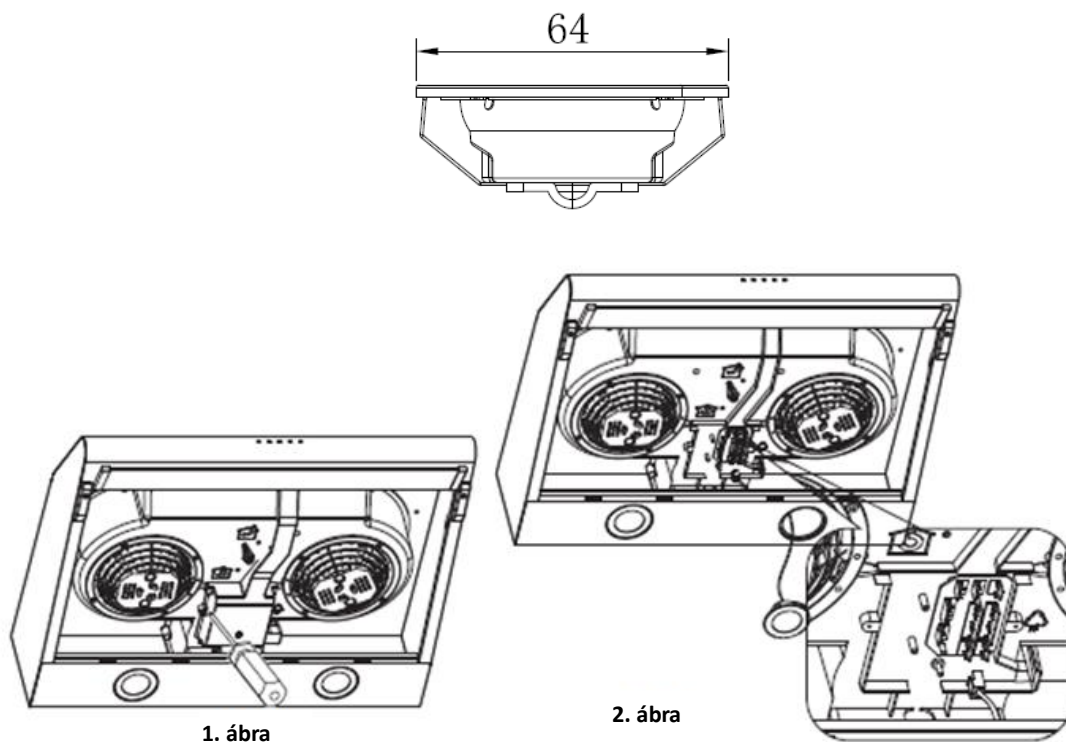
- Az izzó kicserélését a gyártó, az engedélyezett szervizelő ügynöke vagy hasonló szakképzettséggel rendelkező személynek kell elvégeznie.
- Mielőtt bármilyen tevékenységet folytatna a készülékkel kapcsolatosan mindig áramtalanítsa azt. Mielőtt megérintené, győződjön meg róla, hogy az izzó már kihűlt.
- Az izzókat egy ronggyal vagy kesztyűs kézzel kezelje meggyőződve arról, hogy az izzók nincsenek befolyásolva kezének izzadsága által, az ugyanis csökkentheti élettartamukat.

Megjegyzés:

- Az égők helyettesítése előtt győződjön meg arról, hogy a készüléket leállította és leválasztotta a tápegységről.
- Az áramütés veszélyének elkerülése érdekében viseljen védőkesztyűt az égő cseréjekor.

Égők cseréje:

- Távolítsa el a zsiradékszűrőt.
- Csavarhúzóval lazítsa meg a fedő csavarját és távolítsa el a fedőt. (1. számú ábra)
- Távolítsa el manuálisan a LED égőt. Ezután húzza ki könnyedén a szálát a kapocsból és helyettesítse az égőt. (2. számú ábra)
 - led modulok - gömbölyű
 - Maximális teljesítmény: 2X2 W
 - Feszültségi tartomány: AC 110-240V
 - Méretek:



VIII. MŰSZAKI ADATLAP

Elszívó teljesítmény:	304.5 m ³ /h
Motor:	2 x 60W
Szín:	fehér/fekete/barna/inox

**A hulladékok környezetfelelős eltávolítása**

Segíthet a környezet védelmében!

Kérjük, tartsa be a helyi rendelkezéseket: a nem működő elektromos berendezéseket a használt elektromos hulladékokat gyűjtő központba szolgáltatassa be.



A HEINNER a **Network One Distribution SRL(KFT)** társaság által bejegyzett védjegy. A többi márkajelzés és a termékek megnevezése kereskedelmi vagy az illető birtoklók által bejegyzett márkanevek.

A leírtak egyetlen része sem használható fel semmilyen formában, még lefordított, átalakított változatban sem, a NETWORK ONE DISTRIBUTION előzetes beleegyezése nélkül.

Copyright © 2013 Network One Distribution. Minden jog fenntartva.

www.heinner.com, <http://www.nod.ro>
<http://www.heinner.com>, <http://www.nod.ro>



A terméket az Európai Közösség előírásainak és jogszabályainak megfelelően tervezték és gyártották.

Importőr: **Network One Distribution**

Marcel Iancu utca, 3-5 szám, Bukarest (București), Románia

Tel: +40 21 211 18 56, www.heinner.com, www.nod.ro

