

# MICROWAVE OVEN

Model:

**HMW-D2060SS**



- Microwave oven
- Total capacity: 20L

**HEINNER**

## 1. INTRODUCTION

Please read the instructions carefully and keep the manual for future information.

This manual is designed to give all necessary instructions concerning installation, use and maintenance of the unit. In order to operate the unit correctly and safely, please read this instruction manual carefully before installation and use.

## 2. CONTENT OF YOUR PACKAGE

- ➔ **Microwave oven**
- ➔ **User manual**
- ➔ **Warranty card**

## 3. CONTENT OF YOUR PACKAGE

### GENERAL

**WARNING: DO NOT OPERATE THE OVEN WITHOUT ANY LIQUID OR FOOD INSIDE THE OVEN. THIS WOULD DAMAGE THE OVEN.**

**WARNING:** If the door or door seals are damaged, the oven must not be operated until it has been repaired by a trained person.

**WARNING:** It is hazardous for anyone other than a trained person to carry out any service or repair operation, which involves the removal of any cover, which gives protection against exposure to microwave energy. **WARNING:** Liquids or other food must not be heated in sealed containers since they are liable to explode but it is explosive. In the event of a leak due to damage of the cooler elements, move your fridge away from open flames or heat sources and ventilate the room where the appliance is located for a few minutes.

1. Only use utensils that are suitable for use in microwave ovens.
2. Metallic containers for food and beverages are not allowed during microwave cooking.
3. When heating food in plastic or paper containers, keep an eye on the oven due to the possibility of ignition.
4. The microwave oven is intended for heating food and beverages. Drying of food or clothing and heating of warming pads, slippers, sponges, damp cloth and similar may lead to risk of injury, ignition or fire.
5. If smoke is observed, switch off or unplug the appliance and keep the door closed in order to stifle any flames microwave heating of beverages can result in delayed eruptive boiling, therefore care has to be taken when handling the container.
6. The contents of feeding bottles and baby food jars are to be stirred or shaken and the temperature is to be checked before consumption, in order to avoid burns.
7. Eggs in their shell and whole hard-boiled eggs shall not be heated in microwave ovens since they may explode, even after microwave heating has ended.

8. Failure to maintain the oven in a clean condition could lead to deterioration of the surface that could adversely affect the life of the appliance and possibly result in a hazardous situation.
9. The appliance must not be placed in a cabinet.
10. Care should be taken not to displace the turntable when removing containers from the appliance.
11. The appliance shall not be cleaned with a steam cleaner.
12. The appliance must not be installed equal to or higher than 900 mm above the floor. Minimum height of free space necessary above the top surface of the oven: See the installation drawing.

**WARNING:** When the appliance is operated in combination mode, children should only use the oven under adult supervision due to the temperatures generated.

13. If the supply cord is damaged, it must be replaced by the manufacturer or its service agent or a similarly qualified person in order to avoid a hazard.
14. This appliance can be used by children aged from 8 years and above and persons with reduced physical, sensory or mental capabilities or lack of experience and knowledge if they have been given supervision or instruction concerning use of the appliance in a safe way and understand the hazards involved.
15. Children shall not play with the appliance.
16. Cleaning and user maintenance shall not be done by children without supervision.
17. Group 2 Class B appliance  
Group 2 ISM equipment: group 2 contains all ISM equipment in which radio-frequency energy is intentionally generated and/or used in the form of electromagnetic radiation for the treatment of material, and EDM and arc welding equipment.  
Class B equipment is equipment suitable for use in domestic establishments and in establishments directly connected to a low voltage power supply network which supplies buildings used for domestic purposes.
18. The plug must be remained easily accessible after installation of the appliance.
19. This appliance must not be placed in a cabinet with a door.
20. This product internal light source LED light on < 60lm.
21. During use the appliances become hot. Care should be taken to avoid touching heating elements inside the oven.

**WARNING:** Accessible parts may become hot during use. Young children should be kept away.

**WARNING:** The appliance and its accessible parts become hot during use.

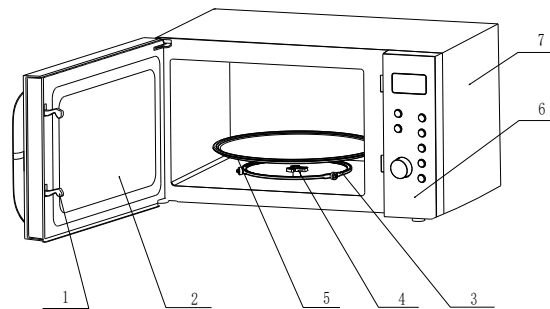
22. Care should be taken to avoid touching heating elements.
23. Children less than 8 years of age shall be kept away unless continuously supervised.
24. Do not use harsh abrasive cleaners or sharp metal scrapers to clean the oven door glass since they can scratch the surface, which may result in shattering of the glass.
25. The appliance must not be installed behind a decorative door in order to avoid overheating. This appliance can be used by children aged from 8 years and above and persons with reduced physical, sensory or mental capabilities or lack of experience and knowledge if they have been given supervision or instruction concerning use of the appliance in a safe way and understand the hazards involved. Children shall not play with the appliance. Cleaning and user maintenance shall not be done by children without details indicating the correct installation of the shelves.

## NOTES:

- Please read the instruction manual carefully before installing and using your appliance. We are not responsible for the damage which occurred due to misuse.
- Follow all instructions on your appliance and instruction manual and keep this manual in a safe place to resolve the problems that may occur in the future.

- This appliance is produced to be used in homes and it can only be used in domestic environments and for specified purposes. It is not suitable for commercial or common use. Such use will cause the guarantee of the appliance to be cancelled and our company will not be responsible for losses incurred.
- This appliance is produced to be used in houses and it is only suitable for cooling / storing food. It is not suitable for commercial or common use and/or for storing substances except for food. Our company is not responsible for losses to be incurred in the contrary case.

## 4. PRODUCT DESCRIPTION



### 1. Door lock

The microwave oven door must be properly closed in order for it to operate.

### 2. Viewing window

Allow user to see the cooking status.

### 3. Rotating axis

The glass turntable sits on the axis; the motor underneath it drives the turntable to rotate.

### 4. Rotating ring

The glass turntable sits on its wheels; it supports the turntable and helps it to balance when rotating.

### 5. Turntable

The food sits on the turntable, its rotation during operation helps to cook food evenly

- Place the rotating ring first
- Fit the turntable onto the rotating axis and make sure that it is geared in properly.

### 6. Control panel

See below in details (the control panel is subject to change without prior notice)

### 7. Outer cover

Used for wrapping and protecting the internal structural parts and electrical components of the whole machine.

### Waveguide cover

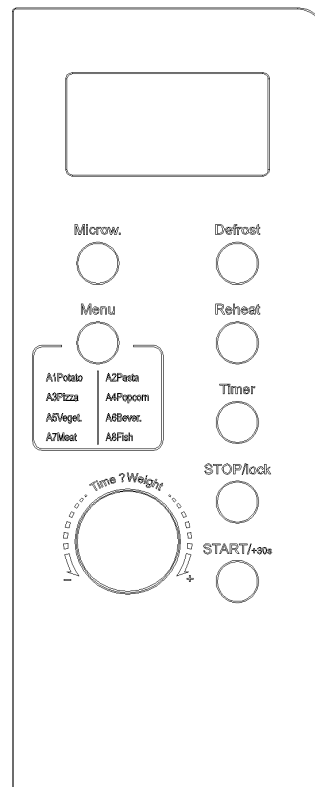
It is inside the air fryer oven, next to the wall of control panel.

Never remove the waveguide cover.

## 5. INSTALLATION

1. Take out all the packing. If there is a safe film over the oven, tear it off before use. Check carefully for damage. If any, immediately notify the dealer or send to the manufacturer's service center.
2. Microwave ovens must be placed in dry and non-corrosiveness environments, kept away from heat and humidity, such as gas burner or water tank.
3. To ensure sufficient ventilation, the distance of the back of microwave to the wall should be at least 10 cm, the side to the wall should be at least 5 cm, the free distance above the top surface at least 20 cm. the distance of the microwave to the ground should be at least 85 cm.
4. The position of the oven shall be such that it is far from the TV, Radio or antenna as picture disturbance, or noise may occur. The distance should be more than 5m.
5. The appliance must be positioned so that the plug is accessible, and must ensure a good grounding in case leakage, ground loop can be formed to avoid electric shock.
6. The microwave oven must be operated with the door closed.
7. The microwave oven must not be placed in a cabinet. The microwave oven is intended to be used freestanding.
8. As there is manufacturing residue or oil remained on the oven cavity or heat element, it usually would smell the odor, even a slight smoke, It is normal case and would not occur after several times use, keep the door or window open to ensure good ventilation. So it is strongly recommended to place a cup of water in the cavity, setting at high power and operate for several times.
- 9.

## 6. OPERATION OF CONTROL PANEL



## 1. BEFORE COOKING

The display lit up when plugged in power supply, then entered the standby state and display shows 1:00.

## 2. MICROWAVE FUNCTION

There are five firepower levels, 100P, 80P, 50P, 30P and 10P, respectively. Press the "Microw." button continuously and select the desired microwave power. Turn the knob to increase or decrease cooking time, the time range can be selected is from 0:10 to 60:00. After select the time, press "START/+30s." button to start work. A buzzing sound to notify completion of the operation.

HIGH	100% power output	(Applicable for quick and thorough cooking)
M.High	80% power output	(Applicable for medium express cooking)
Med	50% power output	(Applicable for steaming food)
M.Low	30% power output	(Applicable for defrosting food)
LOW	10% power output	(Applicable for keeping warm)

- The max time which can be set is 60 minutes.
- Never operate the oven empty.
- At the maximum microwave power, the oven will automatically lower its power after a certain time of cooking to lengthen the service life.
- If you turn the food during operation, press the **START/+30s** button once and the preset cooking procedure will continue.
- If you intend to remove the food before the preset time, you must press **STOP/LOCK** button once to clear the preset procedure to avoid unintended operation of next time use.

## 3. DEFROST

There are two defrost modes, dEF1 and dEF2, respectively. dEF1 for defrost by weight and dEF2 for defrost by time.

Press this button to select defrost by weight or by time, and the display screen will display "dEF1" or "dEF2".

Turn the knob to select food weight or defrost time. The optional weight range of dEF1 is from 100g to 1500g, and the optional time range of dEF2 is from 0:10 to 60:00.

After selecting the defrost weight or time, press the "START/+30s" button to start to work.

An buzzing sound to notify completion of the operation.

The dEF1 defrost mode by weight will have a beeping sound to prompt the food to be turned over during defrosting.

Below is some food defrosting time advice:

dEF1	For defrosting, the weight range is from 100 to 1500g.
dEF2	For defrosting, the time range is from 0:10 to 60:00.

- a. It is necessary to turn over the food during operation to obtain uniform effect.
- b. Usually defrosting will take longer time than that of cooking the food.
- c. If the food can be cut by knife, the defrosting process can be considered completed.
- d. Microwave penetrates around 4cm into most food.
- e. Defrosted food should be consumed as soon as possible, it is not advised to put it back in the fridge and freeze again.

#### 4. AUTO COOKING

There are eight automatic menus A.1~A.8, potato, pasta, pizza, popcorn, vegetable, beverage, meat and fish respectively.

Press the "Menu" button continuously to select the desired menu, the display screen corresponds to A.1 ~ A.8. Turn the knob to select the weight of the menu.

After selecting the cooking weight, press "START/+30s" button to start work. An buzzing sound to notify completion of the operation.

Display	Kind	Method
A.1	Potato	The optional weights are 250g, 500g and 750g
A.2	Pasta	The optional weights are 50g, 100g and 150g
A.3	Pizza	The optional weights are 200g and 400g
A.4	Popcorn	The optional weight is 100g
A.5	Vegetable	The optional weights are 200g, 400g and 600g
A.6	Beverage	The optional weights are 1 cup, 2 cups or 3 cups, each one about 250ml.
A.7	Meat	The optional weights are 200g, 400g and 600g
A.8	Fish	The optional weight is 200g, 400g and 600g

- a. The temperature of food before cooking would be 20-25°C. A higher or lower temperature of the food before cooking would require an increase or decrease of cooking time.
- b. The temperature, weight and shape of food will largely influence the cooking effect. If any deviation has been found to the factor noted on above menu, you can adjust the cooking time for best result.

#### 5. REHEAT

The reheat function is mainly to facilitate users to heat food according to the weight of food, press "Reheat" button continuously, select the appropriate weight of food, the weight range can be selected are 200g, 400g, 600g, 800g and 1000g. After select the weight, press "START/+30s" button to start.

#### 6. TIMER

The Timer function is mainly used for the countdown timer reminder function, in the standby state. Press the "Timer" button to select the timing function, rotate the "Time.Weight" knob to set the timing, the input time range from 0:10~60:00. After setting the time, press "Start/+30S" button to start the countdown function.

When the countdown decline to 0:00, after the countdown, a long “beep” sound from the microwave oven reminds users that the microwave does not work when the Timer function is running.

## 7. STOP

In the process of cooking settings, can press “STOP” button to cancel the settings and return to standby state. In the process of microwave oven working, can press “STOP” button to pause.

In the standby state, can press “STOP” button again to cancel the function and return to standby state.

## 8. START/+30s

After setting the cooking time or food weight, press the “START/+30s” button to start the microwave oven immediately. In the working state, can press “START/+30s” button to increase time, press one time to increase 30 seconds, but the menu mode and weight defrosting mode cannot adjust time.

In pause state, can press “START/+30s” button to continue the microwave oven before cooking mode.

## 9. CHILD LOCK FUNCTION

Use this feature to lock the control panel when you are cleaning or so that children cannot use the oven unsupervised. All the buttons are rendered inoperable in this mode.

1) Set lock: In standby mode, press the "STOP" button for more than 3 seconds, the child lock function is locked, and all buttons of the microwave oven cannot be operated.

2) Cancel lock: In the child lock state, press the "STOP" button for more than 3 seconds to cancel the child lock function.

## USTENSILS GUIDLINE

It is strongly recommended to use containers which are suitable and safe for microwave cooking. Generally speaking, the containers which are made of heat-resistant ceramic, glass or plastic are suitable for microwave cooking. Never use metal containers for microwave cooking and combination cooking as spark is likely to occur. You can take the reference of below table.

Material of container	Microwave	Notes
Heat-resistant ceramic	Yes	Never use the ceramics which are decorated with metal rim or glazed
Heat-resistant plastic	Yes	Can not be used for long time microwave cooking
Heat-resistant glass	Yes	
Grill rack	No	
Plastic film	Yes	It should not be used when cooking meat or chops as the over-temperature may do damage to the film



## COOKING TIPS

The following factors may affect the cooking result:

### **Food arrangement**

Place thicker areas towards the outside of dish, the thinner part towards the center and spread it evenly. Do not overlap if possible.

### **Cooking time length**

Start cooking with a short time setting, evaluate it after it times out and extend it according to the actual need. Over cooking may result in smoke and burns.

### **Cooking food evenly**

Food such as chicken, hamburger or steak should be turned once during cooking. Depending on the type of food, if applicable, stir it from outside to center of dish once or twice during cooking.

### **Allow standing time.**

After cooking times out, leave the food in the oven for an adequate length of time, this allows it to complete its cooking cycle and cooling it down in a gradual manner.

### **Whether the food is done**

Color and hardness of food help to determine if it is done, these include:

- Steam coming out from all parts of food, not just the edge
- Joints of poultry can be moved easily
- Pork or poultry shows no signs of blood
- Fish is opaque and can be sliced easily with a fork

### **Browning dish**

When using a browning dish or self-heating container, always place a heat-resistant insulator such as a porcelain plate under it to prevent damage to the turntable and rotating ring.

### **Microwave safe plastic wrap**

When cooking food with high fat content, do not allow the plastic wrap come into contact with food as it may melt

### **Microwave safe plastic cookware**

Some microwave safe plastic cookware might not be suitable for cooking foods with high fat and sugar content. Also, the preheating time specified in the dish instruction manual must not be exceeded.

## 7. CLEANING AND MAINTANACE

### CLEANING

The oven should be cleaned regularly, and any food deposits removed.

- a. Remove the power cord from the wall outlet before cleaning. After cooling products. Don't immerse the appliance in water or other fluids when cleaning.
- b. Failure to maintain the oven in a clean condition could lead to deterioration of the surface that could adversely affect the life of the appliance and possibly result in a hazardous situation.
- c. Never use hard detergent, gasoline, abrasive powder or metal brush to clean any part of the appliance.
- d. Do not remove the waveguide cover.
- e. When the microwave oven has been used for a long time, there may be some strange odors exist in oven, following 3 methods can get rid of them:
  - 1) Place several lemon slices in a cup, then heat with high Micro Power for 2-3 min.
  - 2) Place a cup of red tea in oven, then heat with high micro power.
  - 3) Put some orange peel into oven, and then heat them with high Micro Power for 1 minute.
- f. When the product is not used, it should be placed in dry and ventilated areas as well as possible.

Details how to clean surfaces in contact with food:

After using the waveguide cover with a damp cloth, followed by dry cloth to remove any food splashes and grease. Built -up grease may overheat and begin to cause smoke or catch fire.

#### TIPS FOR CLEANING

Details for cleaning door seals, cavity and adjacent parts:

##### **Exterior:**

Wipe the enclosure with a dampened soft cloth.

##### **Door:**

Using a dampened soft cloth, wipe clean the door and window.

Wipe the door seals and adjacent parts to remove any spill or spatter.

Wipe the control panel with a slightly dampened soft cloth.

##### **Interior walls:**

Wipes clean the interior surfaces with a dampened soft cloth.

Wipes clean the waveguide cover to remove any food splashed.

##### **Turntable / Rotation ring / Rotation axis:**

Wash with mild soap water

Rinse with clean water and allow drying thoroughly.

## MAINTANACE

### SERVICING

Please check the following before calling for services.

1. Place one cup of water (approx.150ml) in a glass measure in the oven and close the door securely. Oven lamp should go off if the door is closed properly. Let the oven work for 1 min.
2. Does the oven lamp light?
3. Does the cooling fan work?  
(Put your hand over the rear ventilation openings.)
4. Does the turntable rotate?  
(The turntable can rotate clockwise or counterclockwise. This is quite normal.)
5. Is the water inside the oven hot?
- 6.

If "NO" is the answer to any of the above questions, please check your wall socket and the fuse in your meter box.

If both the wall socket and the fuse are functioning properly, **CONTACT YOUR NEAREST SERVICE CENTER APPROVED.**

### SERVICING SAFEGUARDS

**Caution:** MICROWAVE RADIATION

1. The high voltage capacitor remains charged after disconnection; short the negative terminal of H. V capacitor to the oven chassis (use a screwdriver) to discharge before touching.
2. During servicing below listed parts are liable to be removed and give access to potentials above 250V to earth.
  - Magnetron
  - High voltage transformer
  - High voltage capacitor
  - High voltage diode
  - High voltage fuse
3. The following conditions may cause undue microwave exposure during servicing.
  - Improper fitting of magnetron.
  - Improper matching of door interlock, door hinge and door.
  - Improper fitting of switch support.
  - Door, door seal or enclosure has been damaged.

## CUSTOMER CARE AND SERVICE

Always use original spare parts.

When contacting our Authorized Service Centre, ensure that you have the following data available: Model and Serial Number.

The information can be found on the rating plate. Subject to change without notice.

## TECHNICAL DATA

The technical information is situated in the rating plate on the internal side of the appliance and on the energy label.

The QR code on the energy label supplied with the appliance provides a web link to the information related to the performance of the appliance in the EU EPREL database.

Keep the energy label for reference together with the user manual and all other documents provided with this appliance.

It is also possible to find the same information in EPREL using the link <https://eprel.ec.europa.eu> and the model name and product number that you find on the rating plate of the appliance.

To access information about your product in the EPREL portal, you can scan the codes below:

Thank you for purchasing this product. If you need support with your product, visit our website using the links below.

**Get User manuals:** <https://www.heinner.ro>

**Get Service information:** <https://www.heinner.ro>



### Environment friendly disposal

You can help protect the environment!

Please remember to respect the local regulations: hand in the non-working electrical equipment's to an appropriate waste disposal center.



**HEINNER** is a registered trademark of **Network One Distribution SRL**. Other brands and product names are trademarks or registered trademarks of their respective holders.

No part of the specifications may be reproduced in any form or by any means or used to make any derivative such as translation, transformation, or adaptation without permission from NETWORK ONE DISTRIBUTION.

Copyright © 2013 Network One Distribution. All rights reserved.

[www.heinner.com](http://www.heinner.com), <http://www.nod.ro>



This product is in conformity with norms and standards of European Community



Importer: **Network One Distribution**

Marcel Iancu Street, 3-5, Bucharest, Romania

Tel: +40 21 211 18 56, [www.heinner.com](http://www.heinner.com), [www.nod.ro](http://www.nod.ro)

# CUPTOR CU MICROUND

Model:  
**HMW-D2060SS**



- Cuptor cu microunde
- Capacitate totală: 20L

**HEINNER**

## 1. INTRODUCERE

Vă rugăm să citiți instrucțiunile cu atenție și să păstrați manualul pentru consultări ulterioare.

Acest manual are scopul de a vă oferi toate instrucțiunile necesare cu privire la instalarea, utilizarea și întreținerea aparatului. Pentru utilizarea corectă și în siguranță a aparatului, vă rugăm să citiți cu atenție acest manual de instrucțiuni înainte de instalare și utilizare.

## 2. CONȚINUTUL PACHETULUI DUMNEAVOASTRĂ

- ➔ Cuptor cu microunde
- ➔ Manual de utilizare
- ➔ Certificat de garanție

## 3. CONȚINUTUL PACHETULUI DUMNEAVOASTRĂ

### GENERALITĂȚI

**AVERTISMENT: NU PORNIȚI CUPTORUL CU MICROUNDĂ DACĂ ÎN INTERIORUL ACESTUIA NU SE AFLĂ NICIUN RECIPIENT CU ALIMENTE SAU LICHIDE. ACEASTA POATE DUCE LA DEFECTAREA CUPTORULUI.**

**AVERTISMENT:** Dacă ușa/garnitura ușii este deteriorată, opriți utilizarea aparatului până la repararea acestuia de către o persoană calificată.

**AVERTISMENT:** Efectuarea operațiilor de întreținere sau a reparațiilor care implică îndepărtarea carcaselor care oferă protecție împotriva expunerii la microunde este periculoasă pentru persoanele necalificate.

**AVERTISMENT:** Nu încălziți în recipiente închise ermetic lichide sau alte alimente, deoarece acestea pot exploda. În cazul apariției unei scurgeri cauzate de deteriorarea componentelor schimbătorului de căldură, mutați frigiderul la distanță de sursele de flacără deschisă sau de căldură și aerisiți timp de câteva minute camera în care se află aparatul.

1. Utilizați numai recipiente care sunt potrivite pentru utilizare în cuptorul cu microunde.
2. Nu utilizați în cuptorul cu microunde recipiente din metal pentru lichide sau alimente.
3. Atunci când încălziți alimente în recipiente din plastic sau hârtie, există riscul de aprindere a acestora. Din acest motiv, procesul de încălzire trebuie supravegheat permanent.
4. Cuptorul cu microunde este destinat încălzirii alimentelor și băuturilor. Uscarea alimentelor sau a articolelor de îmbrăcăminte, încălzirea pernelor, papucilor, bureților cârpelor umede sau a altor obiecte similare pot duce la risc de rănire sau producere a incendiilor.
5. În cazul în care observați fum, opriți aparatul sau deconectați ștecărul de la sursa de alimentare și țineți ușa închisă pentru a înăbuși eventualele flăcări. Încălzirea cu microunde a băuturilor poate avea ca rezultat stropirea din cauza fierberii prelungite; prin urmare, trebuie să acordați atenție deosebită atunci când manevrați recipientul.
6. Pentru a evita arsurile, agitați biberoanele și borcanele cu alimente pentru copii sau amestecați conținutul acestora și verificați temperatura alimentelor înainte de a hrăni copiii.
7. Nu încălziți în cuptor ouă cu coajă sau ouă fierte, deoarece acestea pot exploda chiar și după finalizarea procesului de încălzire.-
8. În cazul în care cuptorul nu este menținut curat, suprafețele acestuia se pot deteriora, durata de utilizare a produsului poate fi diminuată, putând apărea chiar situații periculoase.

9. Aparatul nu trebuie să fie montat într-un dulap.
10. Acționați cu prudență, astfel încât să nu dislocați platoul rotativ atunci când scoateți recipientele din aparat.
11. Aparatul nu trebuie curățat cu un aparat de curățare cu aburi.
12. Aparatul nu trebuie să fie instalat la mai mult de 900 mm deasupra podelei. Spațiul liber necesar deasupra suprafeței superioare a cuptorului: Consultați schema de instalare.

**AVERTISMENT:** Atunci când aparatul este utilizat în modul de preparare combinată, copiii trebuie să utilizeze cuptorul numai sub supravegherea unui adult, deoarece acesta generează temperaturi foarte ridicate.

13. Pentru evitarea pericolelor, în cazul în care cablul de alimentare este deteriorat, acesta trebuie înlocuit de către producător, de către agentul său de service sau de persoane cu o calificare similară.
14. Aparatul poate fi utilizat de către copii cu vârste începând de la 8 ani și de către persoane cu capacități fizice, senzoriale sau mentale reduse, cu lipsă de experiență sau cunoștințe, numai dacă acestea sunt supravegheate sau instruite în ceea ce privește utilizarea în siguranță a aparatului și dacă înțeleg pericolele pe care le implică utilizarea.
15. Copiii nu au voie să se joace cu aparatul.
16. Curățarea și întreținerea nu trebuie efectuate de către copii nesupravegheați.
17. Aparat din grupa 2, clasa B  
Echipamente ISM din grupa 2: grupa 2 conține toate echipamentele ISM în care energia de radiofrecvență este generată în mod intenționat și/sau utilizată sub formă de radiație electromagnetică pentru tratarea materialelor, precum și echipamentele de prelucrare prin electroeroziune și echipamentele pentru sudare cu arc electric.  
Echipamentele din clasa B sunt echipamente care pot fi utilizate în locuințe și în unități direct conectate la o rețea de alimentare cu energie electrică de joasă tensiune care alimentează clădiri utilizate în scopuri casnice.
18. După instalarea aparatului, ștecărul trebuie să rămână ușor accesibil.
19. Acest aparat nu trebuie să fie montat într-un dulap cu ușă.
20. Fluxul luminos al sursei de lumină LED interne a acestui produs este < 60lm.
21. În timpul utilizării, aparatul devine fierbinte. Evitați atingerea elementelor de încălzire din interiorul cuptorului.

**AVERTISMENT:** Componentele accesibile se pot încălzi în timpul utilizării. Copiii cu vârste mici trebuie ținuți la distanță de aparat.

**AVERTISMENT:** Aparatul și zonele accesibile ale acestuia se pot încălzi pe parcursul folosirii.

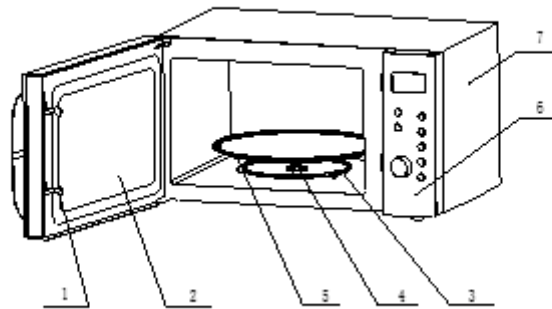
22. Evitați atingerea zonelor care se încălzesc.
23. Nu lăsați copii cu vârste sub 8 ani în preajma aparatului decât dacă aceștia sunt supravegheați neîntrerupt.
24. Nu utilizați agenți de curățare abrazivi sau bureți metalici pentru curățarea geamului ușii cuptorului, deoarece acesta se poate zgâria sau se poate sparge.
25. Pentru evitarea supraîncălzirii, aparatul nu trebuie să fie instalat în spatele unei uși decorative. Aparatul poate fi utilizat de către copii cu vârste începând de la 8 ani și de către persoane cu capacități fizice, senzoriale sau mentale reduse, cu lipsă de experiență sau cunoștințe, numai dacă acestea sunt supravegheate sau instruite în ceea ce privește utilizarea în siguranță a aparatului și dacă înțeleg pericolele pe care le implică utilizarea. Copiii nu au voie să se joace cu aparatul. Curățarea și întreținerea nu trebuie să fie efectuate de către copii în lipsa detaliilor care să indice instalarea corectă a rafturilor.

## OBSERVAȚII:

- Vă rugăm să citiți cu atenție manualul de instrucțiuni înainte de a instala și utiliza aparatul dumneavoastră. Nu ne asumăm nicio răspundere pentru daunele apărute ca urmare a utilizării necorespunzătoare.
- Respectați toate instrucțiunile de pe aparat și din manualul de instrucțiuni și păstrați acest manual într-un loc sigur, pentru a remedia problemele care ar putea interveni în viitor.

- Acest aparat este destinat uzului casnic și nu poate fi utilizat în alte scopuri decât cele specificate. Nu este potrivit pentru utilizare comercială sau în comun. O asemenea utilizare va duce la anularea garanției aparatului, iar compania noastră nu va fi responsabilă pentru pierderile care vor apărea.
- Acest aparat este produs în vederea utilizării casnice și este adecvat numai pentru răcirea/depozitarea alimentelor. Nu este potrivit pentru utilizare comercială sau în comun și/sau pentru depozitarea substanțelor nealimentare. Compania noastră nu este responsabilă pentru pierderile care vor apărea în caz contrar.

## 4. DESCRIEREA PRODUSULUI



### 1. Sistem de blocare a ușii

Ușa cuptorului cu microunde trebuie să fie închisă corespunzător pentru ca acesta să funcționeze

### 2. Fereastră de vizualizare

Aceasta permite utilizatorului să urmărească procesul de preparare

### 3. Ax rotativ

Axul rotește platoul sticlă cu ajutorul motorului situat sub acesta

### 4. Inel rotativ

Platoul rotativ se sprijină pe roțile inelului rotativ; acesta susține platoul rotativ și îl echilibrează

### 5. Platou rotativ

Recipientele cu alimente sunt așezate pe platoul rotativ; mișcarea de rotație ajută la prepararea uniformă a alimentelor

- Așezați mai întâi inelul rotativ

- Potriviiți platoul rotativ pe axul rotativ și asigurați-vă că acesta este poziționat corespunzător

### 6. Panou de comandă

Consultați detaliile de mai jos (configurația panoului de control poate fi modificată fără o notificare prealabilă)

### 7. Capac exterior

Folosit pentru împachetarea și protejarea pieselor structurale interne și a componentelor electrice ale întregii mașini

### Capacul ghidului de undă

Acesta este situat în interiorul cuptorului cu microunde, lângă peretele panoului de comandă

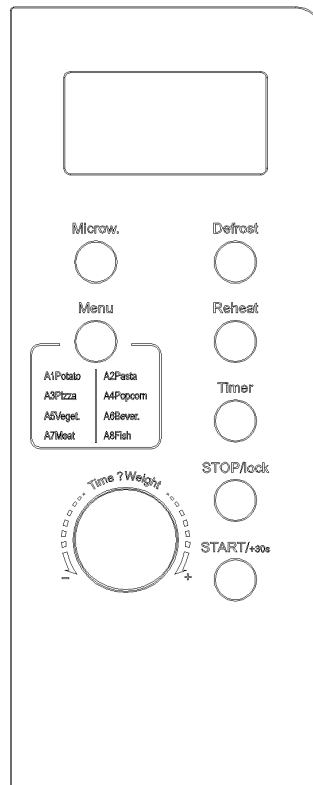
Nu demontați niciodată capacul ghidului de undă.



## 5. INSTALARE

1. Îndepărtați toate ambalajele. Dacă aparatul este învelit într-o folie de protecție, îndepărtați folia înainte de utilizare. Verificați cu atenție dacă există deteriorări. Dacă aparatul prezintă deteriorări, contactați distribuitorul sau adresați-vă centrului de reparații al producătorului.
2. Cuptoarele cu microunde trebuie amplasate în medii uscate și necorosive, departe de surse de căldură și umiditate, cum ar fi arzătoarele sau rezervoarele de apă.
3. Pentru asigurarea unei ventilații corespunzătoare, distanța dintre partea din spate a aparatului și perete trebuie să fie de cel puțin 10 cm, distanța dintre părțile laterale și perete trebuie să fie de cel puțin 5 cm, iar spațiul de deasupra aparatului trebuie să aibă o înălțime de cel puțin 20 de cm. Aparatul trebuie așezat la o înălțime de cel puțin 85 de centimetri de podea.
4. Cuptorul trebuie amplasat departe de televizoare, aparate radio sau antene, deoarece acesta poate produce interferențe. Distanța trebuie să fie de cel puțin 5 m.
5. Aparatul trebuie poziționat astfel încât ștecărul să fie accesibil, iar priza de curent trebuie să fie prevăzută cu împământare.
6. Cuptorul cu microunde trebuie să funcționeze cu ușa închisă.
7. Cuptorul cu microunde nu trebuie așezat într-un dulap. Cuptorul cu microunde este destinat utilizării ca aparat de sine stătător.
8. Date fiind urmele de ulei industrial rămase pe pereții interiori ai cuptorului sau pe elementul de încălzire, este posibil ca în timpul primei utilizări să se simtă un miros specific sau chiar să iasă fum. Acest fenomen este normal și va dispărea după mai multe utilizări. Pentru a asigura o aerisire corespunzătoare, deschideți fereastra sau ușa. Astfel, înainte de prima utilizare, se recomandă să puneți o cană cu apă pe platoul rotativ, să reglați aparatul la o putere ridicată și să îl puneți în funcțiune de câteva ori

## 6. UTILIZAREA PANOULUI DE COMANDĂ



## 1. ÎNAINTE DE PREPARARE

Afișajul se aprinde atunci când aparatul este conectat la sursa de alimentare, apoi aparatul activează modul standby și afișajul indică 1:00.

## 2. FUNCȚIONAREA CUPTORULUI CU MICROUND

Sunt disponibile cinci niveluri de putere, și anume 100P, 80P, 50P, 30P și 10P. Apăsăți continuu pe butonul „Microw.” și selectați puterea dorită. Rotiți butonul pentru a crește sau a reduce durata de preparare; intervalul de timp care poate fi selectat este de la 0:10 la 60:00. După selectarea duratei, apăsați pe butonul „START/+30s.” pentru ca aparatul să înceapă să funcționeze. Finalizarea duratei este indicată printr-un semnal sonor.

HIGH (PUTERE RIDICATĂ)	100% putere microunde	(pentru preparare rapidă și în profunzime)
M.High (putere medie-ridicată)	80% putere microunde	(pentru preparare medie)
Med (putere medie)	50% putere microunde	(pentru gătitul la abur a alimentelor)
M.Low (putere medie-săzută)	30% putere microunde	(pentru decongelarea alimentelor)
LOW (PUTERE SĂZUTĂ)	10% putere microunde	(pentru menținerea alimentelor la cald)

- Durata maximă de preparare este de 60 de minute.
- Nu utilizați cuptorul atunci când este gol.
- Atunci când utilizați microundele la putere maximă, cuptorul va reduce automat puterea după un anumit timp, pentru a prelungi durata de utilizare a aparatului.
- Dacă doriți să întoarceți alimentele în timpul funcționării, apăsați o dată butonul **START/+30s** iar procesul de preparare prestabilit va continua.
- Dacă doriți să scoateți alimentele din cuptor înainte de termenul prestabilit, trebuie să apăsați butonul **STOP/LOCK** o dată pentru a anula procedura prestabilită, evitând astfel funcționarea accidentală cu ocazia utilizării ulterioare.

## 3. DEFROST

Sunt disponibile două funcții de decongelare, și anume dEF1 și dEF2, dEF1 pentru decongelare în funcție de greutate și dEF2 pentru setarea duratei de decongelare.

Apăsăți pe acest buton pentru a selecta decongelarea în funcție de greutate sau setarea duratei de decongelare, iar pe ecran va apărea „dEF1” sau „dEF2”.

Rotiți butonul pentru a selecta greutatea alimentelor sau durata de decongelare. Intervalul opțional de greutate al funcției dEF1 este de la 100 g la 1500 g, iar intervalul opțional de durată al funcției dEF2 este de la 0:10 la 60:00.

După selectarea greutății alimentelor sau a duratei de decongelare, apăsați pe butonul „START/+30s” pentru ca aparatul să înceapă să funcționeze.

Finalizarea duratei este indicată printr-un semnal sonor.

În cadrul funcției de decongelare dEF1, aparatul emite un semnal sonor pentru a indica faptul ca alimentele trebuie să fie întoarse în timpul decongelării.

Găsiți mai jos găsiți câteva sfaturi privind decongelarea alimentelor:

dEF1	Pentru decongelare, intervalul de greutate este de la 100 la 1500 g.
dEF2	Pentru decongelare, intervalul de timp este de la 0:10 la 60:00.

- Pentru o decongelare uniformă, este necesară întoarcerea alimentelor în timpul funcționării aparatului.
- De obicei, decongelarea alimentelor este un proces care durează mai mult decât prepararea alimentelor.
- În cazul în care alimentele pot fi tăiate cu cuțitul, procesul de dezghețare poate fi considerat finalizat.
- Microundele pătrund aproximativ 4 cm în majoritatea produselor alimentare.
- Produsele alimentare decongelate trebuie să fie consumate cât mai curând posibil. Nu se recomandă reintroducerea acestora în frigider și recongelarea.

#### 4. PREPARARE AUTOMATĂ

Sunt disponibile opt metode de preparare automată, de la A.1 la A.8, și anume cartofi, paste, pizza, popcorn, legume, băuturi, carne și, respectiv, pește.

Apăsați continuu pe butonul „Menu” pentru a selecta metoda dorită, iar afișajul va indica metodele de la A.1 la A.8. Rotiți butonul pentru a selecta greutatea aferentă metodei de preparare.

După selectarea greutății, apăsați pe butonul „START/+30s.” pentru ca aparatul să înceapă să funcționeze. Finalizarea duratei este indicată printr-un semnal sonor.

Afișaj	Tip	Metodă
A.1	Cartofi	Greutățile opționale sunt 250g, 500g și 750g.
A.2	Paste	Greutățile opționale sunt 50g, 100g și 150g.
A.3	Pizza	Greutățile opționale sunt 200g și 400g.
A.4	Popcorn	Greutatea opțională este 100g.
A.5	Legume	Greutățile opționale sunt 200g, 400g și 600g.
A.6	Băuturi	Greutățile opționale sunt 1 ceașcă, 2 cești sau 3 cești, fiecare având aproximativ 250 ml.
A.7	Carne	Greutățile opționale sunt 200g, 400g și 600g.
A.8	Pește	Greutățile opționale sunt 200g, 400g și 600g

- Temperatura alimentelor înainte de preparare trebuie să fie de 20-25 °C. O temperatură mai scăzută sau mai ridicată a produsului înainte de preparare necesită creșterea sau reducerea timpului de preparare.
- Temperatura, greutatea și forma alimentelor influențează în semnificativ efectul preparării. În cazul în care există abateri de la condițiile de mai sus, puteți stabili timpul de gătire corespunzător fiecărei situații în parte.

#### 5. FUNCTIA REINCALZIRE

Funcția de reîncălzire este în principal pentru a facilita utilizatorilor să încălzească alimente în funcție de greutatea alimentelor, apăsați continuu butonul „Reîncălzire”, selectați greutatea adecvată a alimentelor, intervalul de greutate poate fi selectat fiind 200g, 400g, 600g, 800g și 1000g. După ce selectați greutatea, apăsați butonul „START/+30s” pentru a începe.

## 6. TIMER

Funcția Timer este utilizată în principal pentru cu numărătoare inversă, în starea de standby. Apăsați butonul „Timer” pentru a selecta funcția de sincronizare, rotiți butonul „Time.Weight” pentru a seta sincronizarea, intervalul de timp de intrare de la 0:10 la 60:00. După setarea orei, apăsați butonul „Start/+30S” pentru a porni funcția de numărătoare inversă. Când numărătoarea inversă scade la 0:00, se va auzi un sunet lung de „bip” de la cuptorul cu microunde care va reamintește că, programul s-a terminat.

## 7. STOP

În timpul procesului de configurare a setărilor de preparare, puteți apăsa pe butonul „STOP” pentru a anula setările și a reveni la modul standby. În timpul funcționării cuptorului cu microunde, puteți apăsa pe butonul „STOP” pentru a întrerupe funcționarea.

În standby, puteți apăsa din nou pe butonul „STOP” pentru a anula funcția activă și a reveni la modul standby.

## 8. START/+30s

După setarea duratei de gătire sau a greutateii alimentelor, apăsați butonul „START/+30s” pentru a porni imediat cuptorul cu microunde. În timpul funcționării aparatului, puteți apăsa pe butonul „START/+30s” pentru a crește durata de preparare. Apăsați o dată pentru a crește durata cu 30 de secunde. Durata nu poate fi setată în cadrul funcției de decongelare.

Dacă prepararea a fost întreruptă, puteți apăsa pe butonul „START/+30s” pentru a relua funcționarea cuptorului cu microunde.

## 9. FUNCȚIA DE BLOCARE ÎMPOTRIVA ACȚIONĂRII DE CĂTRE COPII

Utilizați această funcție pentru a bloca panoul de control în timpul curățării aparatului sau pentru a împiedica utilizarea cuptorului de către copii. În acest mod, toate butoanele sunt scoase din funcțiune.

1) Activarea funcției de blocare: În modul standby, apăsați și mențineți apăsat butonul „STOP” timp de mai mult de 3 secunde, iar funcția de blocare împotriva acționării de către copii va fi activată, toate butoanele fiind scoase din funcțiune.

2) Dezactivarea funcției de blocare: Când funcția de blocare împotriva acționării de către copii este activă, apăsați și mențineți apăsat butonul „STOP” timp de mai mult de 3 secunde pentru a dezactiva funcția de blocare împotriva acționării de către copii.

## INDICAȚII PRIVIND UTILIZAREA RECIPIENTELOR

Vă recomandăm să utilizați numai recipiente potrivite pentru prepararea alimentelor în cuptorul cu microunde. În general, recipientele fabricate din ceramică, sticlă sau plastic rezistente la căldură sunt potrivite pentru prepararea cu microunde. Nu utilizați niciodată recipientele metalice în cazul preparării cu microunde sau al preparării combinate, deoarece există riscul de producere a scânteilor. Pentru detalii suplimentare, consultați tabelul de mai jos:

Materialul recipientului	Microunde	Note
Ceramică termorezistentă	Da	Nu utilizați vase cu ornamente din metal sau vase smălțuite
Plastic termorezistent	Da	Nu poate fi utilizat pentru perioade îndelungate
Sticlă termorezistentă	Da	
Grătar pentru grill	Nu	
Folie de plastic	Da	Nu trebuie folosit atunci când gătiți carne sau cotlete, deoarece supratemperatura poate deteriora pelicula

## SFATURI PRIVIND PREPARAREA

Factorii de mai jos pot afecta rezultatul preparării:

### **Disponerea alimentelor**

Dispuneți părțile mai groase ale alimentelor către exteriorul platoului rotativ, iar pe cele mai subțiri către mijlocul acestuia. Dacă este posibil, nu suprapuneți alimentele.

### **Durata preparării**

Începeți procesul cu o durată redusă de preparare, observați rezultatul, apoi măriți durata după caz. Prepararea excesivă poate provoca fum sau arsuri.

### **Prepararea uniformă a alimentelor**

Produsele cum ar fi carnea de pui, hamburgerii sau friptura trebuie întoarse în timpul preparării. În funcție de tipul de aliment, dacă este cazul, amestecați în recipient dinspre exterior către centru, o dată sau de două ori.

### **Lăsați alimentele să se „pătrundă”**

După finalizarea preparării, lăsați alimentele în cuptor pentru o perioadă de timp adecvată, permițând acestora să se „pătrundă” și să se răcească treptat.

### **Verificarea alimentelor**

Verificați culoarea și consistența alimentelor, pentru a vă asigura că acestea sunt bine preparate:

- Verificați dacă aburul iese de pe toată suprafața preparatului, nu numai de pe margine
- Verificați dacă articulațiile cărnii de pasăre pot fi mișcate cu ușurință
- Asigurați-vă că în carnea de porc sau de pasăre nu mai este sânge
- Asigurați-vă că peștele este opac și că poate fi tăiat ușor cu furculița

### **Utilizarea unui vas special pentru rumenire**

Atunci când utilizați un vas pentru rumenire sau un recipient cu autoîncălzire, puneți întotdeauna sub acesta un izolator termorezistent, cum ar fi o farfurie de porțelan, pentru a preveni deteriorarea platoului rotativ și a inelului rotativ.

### **Utilizarea unei folii de plastic**

Atunci când preparați alimente cu un conținut ridicat de grăsimi, nu lăsați folia din plastic să intre în contact cu alimentele, deoarece aceasta se poate topi.

### **Utilizarea unor recipiente din plastic corespunzătoare**

Este posibil ca anumite vase din plastic pentru microunde să nu fie potrivite pentru prepararea alimentelor cu un conținut ridicat de grăsimi sau zahăr. De asemenea, durata de preîncălzire specificată în manualele de instrucțiuni ale recipientelor nu trebuie depășită.

## 7. CURĂȚARE ȘI ÎNTREȚINERE

### CURĂȚARE

Cuptorul trebuie curățat cu regularitate, iar depunerile de alimente trebuie înlăturate.

- a. Înainte de curățare, deconectați ștecărul de la sursa de alimentare și așteptați ca aparatul să se răcească. În timpul curățării, nu introduceți aparatul în apă sau în alte lichide.
- b. În cazul în care cuptorul nu este menținut curat, suprafețele acestuia se pot deteriora, durata de utilizare a produsului poate fi diminuată, putând apărea chiar situații periculoase.
- c. Nu utilizați pentru curățarea aparatului detergenți foarte puternici, benzină, pulberi abrazive sau bureți metalici.
- d. Nu scoateți capacul ghidului de undă.
- e. După o utilizare îndelungată a cuptorului cu microunde, din interiorul acestuia pot fi emanate mirosuri neplăcute. Pentru înlăturarea acestor mirosuri, aveți la dispoziție următoarele 3 metode:
  - 1) Puneți câteva felii de lămâie într-o ceașcă, apoi puneți aparatul în funcțiune la putere ridicată timp de 2 - 3 minute.
  - 2) Puneți în cuptor o ceașcă de ceai roșu, apoi încălziți ceaiul punând aparatul în funcțiune la putere ridicată.
  - 3) Puneți în cuptor câteva coji de portocală, apoi puneți aparatul în funcțiune la putere ridicată timp de 1 minut.
- f. Atunci când produsul nu este utilizat, acesta trebuie depozitat într-un spațiu uscat și bine aerisit.

Detalii privind modul de curățare a suprafețelor care intră în contact cu alimentele:

După utilizarea cuptorului, ștergeți capacul ghidului de undă cu o cârpă moale, apoi cu una uscată, pentru a înlătura stropii de grăsime sau de alimente. Depunerea unui strat gros de grăsime se poate supraîncălzi, poate duce la emiterea de fum și poate lua foc.

#### SFATURI PENTRU CURĂȚARE

Detalii privind curățarea garniturii ușii, a interiorului și a zonelor adiacente:

##### Exteriorul:

Ștergeți exteriorul aparatului cu o cârpă și moale și umedă.

##### Ușa:

Ștergeți ușa și geamul cuptorului cu o cârpă și moale și umedă.

Ștergeți garnitura și zonele adiacente, îndepărtând petele și stropii.

Ștergeți panoul de comandă cu o cârpă și moale și puțin umezită.

##### Pereții interiori:

Ștergeți suprafețele interioare cu o cârpă moale umezită.

Ștergeți capacul ghidului de undă pentru a îndepărta stropii de pe acesta.

##### Platoul rotativ/Inelul rotativ/Axul rotativ:

Spălați-le cu apă și detergent neutru

Clătiți-le cu apă curată și ștergeți-le bine.

## ÎNTREȚINERE

### REPARAȚII

Înainte de a contacta un tehnician calificat, verificați următoarele:

1. Puneți în cuptor o cană cu apă (aprox. 150ml) într-un pahar de măsură din sticlă și închideți ușa cuptorului. Dacă ușa este închisă corespunzător, lampa cuptorului se stinge. Lăsați cuptorul să funcționeze timp de un minut.
2. Lampa cuptorului se aprinde?
3. Ventilatorul funcționează?  
(Puneți mâna la orificiile de ventilație din partea din spate a cuptorului.)
4. Platoul rotativ se rotește?  
(Platoul rotativ se rotește în sens orar sau antiorar. Acest lucru este normal.)
5. Apa din interiorul cuptorului este fierbinte?

Dacă la oricare dintre întrebările de mai sus răspunsul este „NU”, vă rugăm să verificați priza de perete și siguranța circuitului electric din locuință.

Dacă priza de perete și siguranța circuitului electric funcționează corespunzător, **CONTACTAȚI CEA MAI APROPIATĂ UNITATE DE SERVICE AUTORIZATĂ.**

### MĂSURI DE PROTECȚIE PRIVIND DEPANAREA

**Atenție: RADIAȚII DE MICROUNDDE**

1. Energia electrică este prezentă în condensatorul de înaltă tensiune după deconectarea de la sursa de alimentare. Scurtcircuitați borna negativă a condensatorului de înaltă tensiune cu cadrul cuptorului (utilizați o șurubelniță) pentru a-l descărca înainte de a-l atinge.
2. În timpul efectuării reparațiilor, componentele de mai jos pot fi înlocuite și au potențiale electrice de peste 250 V.
  - Magnetron
  - Transformator de înaltă tensiune
  - Condensator de înaltă tensiune
  - Diodă de înaltă tensiune
  - Siguranță de înaltă tensiune
3. Împrejurările descrise mai jos pot duce la expunerea excesivă la acțiunea microundelor:
  - Instalarea necorespunzătoare a magnetronului.
  - Montarea incorectă a sistemului de blocare a ușii, a balamalelor sau a ușii.
  - Instalarea incorectă a întrerupătorului.
  - Ușa, garnitura ușii sau carcasa au fost deteriorate.

## SERVICE ȘI ASISTENȚĂ PENTRU CLIEȚI

Utilizați numai piese de schimb originale.

Când contactați centrul nostru de service autorizat, asigurați-vă că aveți la îndemână următoarele informații: Denumirea modelului și numărul de serie.

Informațiile pot fi găsite pe plăcuța cu date tehnice. Acestea pot suferi modificări fără o notificare prealabilă.

## DATE TEHNICE

Informațiile tehnice se află pe plăcuța cu date tehnice din interiorul aparatului și pe eticheta energetică.

Codul QR de pe eticheta energetică furnizată împreună cu aparatul oferă un link web către informațiile din baza de date EPREL cu privire la performanțele aparatului.

Păstrați eticheta energetică pentru consultări ulterioare, împreună cu manualul de utilizare și cu toate celelalte documente furnizate împreună cu acest aparat.

De asemenea, puteți găsi aceleași informații în baza de date EPREL, folosind link-ul <https://eprel.ec.europa.eu> și denumirea modelului și numărul de serie al produsului, pe care le găsiți pe plăcuța cu date tehnice a aparatului.

Pentru a accesa informații despre produsul dumneavoastră în portalul EPREL, puteți scana codurile de mai jos:

Vă mulțumim pentru achiziționarea acestui produs! Dacă aveți nevoie de asistență în ceea ce privește produsul dumneavoastră, vizitați site-ul nostru web utilizând linkurile de mai jos.

**Obțineți manuale de utilizare:** <https://www.heinner.ro>

**Obțineți informații privind reparațiile:** <https://www.heinner.ro>



### MASURI PENTRU PROTECTIA MEDIULUI

Va informam ca persoanele fizice au urmatoarele obligatii prin legislatia specifica privind protectia mediului si regimul deseurilor:

- Deseurile de echipamente electrice si electronice (DEEE), pot contine substante periculoase pentru mediu si sanatatea umana. Conform OUG 5/2015, exista obligativitatea predarii acestora, pentru tratarea corespunzatoare si valorificarea componentelor reciclabile. Societatea Network One Distribution S.R.L. este platitoare de taxa de "timbru verde" pentru fiecare Echipament Electric si Electronic (EEE) pe care il pune pe piata. Acest cost asigura tratarea ulterioara a echipamentelor uzate colectate. Din acest motiv, odata ce devine dezech, produsul EEE poate fi predat gratuit operatorului Dvs. de salubritate, la magazine atunci cand achizitionati alt echipament similar, sistemul "unul la unu" sau la punctul de colectare organizat de Primaria Sectorului / localitatii Dvs.
- Simbolul (marcajul) aplicat produselor, care indica faptul ca deseurile DEEE, bateriile si acumulatorii - fac obiectul unei colectari separate, il reprezinta o pubela barata cu o cruce.



### ***Aceste masuri vor ajuta la protejarea mediului***

Societatea Network One Distribution S.R.L. este inregistrata in Registrul de punere pe piata a echipamentelor electrice si electronice, avand numarul de inregistrare: RO-2016-03-EEE-0201-IV. De asemenea, au fost intocmite si sunt gestionate: Registrul de Retragere EEE si Registrul de Rechemare EEE, in conformitate cu HG 322/2013. Totodata societatea este inregistrata in Registrul de punere pe piata a bateriilor, avand numarul de inregistrare: RO-2011-03-B&A-0283.

Conformitatea cu directiva RoHS: Produsul pe care l-ați cumpărat este conform cu Directiva RoHS UE (2011/65/UE). Nu conține materialele dăunătoare și interzise specificate în Directivă.

**Va multumim ca participati alaturi de noi la protejarea mediului si a sanatatii umane!**





**HEINNER** este marcă înregistrată a companiei **Network One Distribution SRL**. Celelalte branduri și denumirile produselor sunt mărci de comerț sau mărci de comerț înregistrate ale respectivilor deținători.

Nicio parte a specificațiilor nu poate fi reprodusă sub nicio formă și prin niciun mijloc, nici utilizată pentru obținerea unor derivate precum traduceri, transformări sau adaptări, fără consimțământul prealabil al companiei NETWORK ONE DISTRIBUTION.

Copyright © 2013 Network One Distribution. Toate drepturile rezervate.

[www.heinner.com](http://www.heinner.com), <http://www.nod.ro>



Acest produs este proiectat și realizat în conformitate cu standardele și normele Comunității Europene.



Importator: **Network One Distribution**

Str. Marcel Iancu, nr. 3-5, București, România

Tel: +40 21 211 18 56, [www.heinner.com](http://www.heinner.com) , [www.nod.ro](http://www.nod.ro)

# МИКРОВЪЛНОВА ПЕЧКА

Модел:  
**HMW-D2060SS**



- Микровълнова печка
- Общ капацитет: 20 л.

**HEINNER**

## 1. ВЪВЕДЕНИЕ

Моля прочетете внимателно инструкциите и запазете наръчника за бъдещи справки.

Този наръчник има за цел да Ви предостави всички необходими инструкции по отношение на инсталирането, използването и поддържането на уреда. Преди инсталиране и използване на уреда, с цел правилна и безопасна употреба на уреда, моля прочетете внимателно този наръчник с инструкции.

## 2. СЪДЪРЖАНИЕ НА ВАШИЯ ПАКЕТ

- ➔ микровълнова печка
- ➔ Наръчник за употреба
- ➔ Сертификат за гаранция

## 3. СЪДЪРЖАНИЕ НА ВАШИЯ ПАКЕТ

### ОБЩИ УКАЗАНИЯ

**ПРЕДУПРЕЖДЕНИЕ: НЕ ВКЛЮЧВАЙТЕ МИКРОВЪЛНОВАТА ФУРНА, АКО ВЪВ ВЪТРЕШНОСТТА Й НЕ Е ПОСТАВЕН СЪД С ХРАНИ ИЛИ ТЕЧНОСТИ. ТОВА МОЖЕ ДА ДОВЕДЕ ДО ПОВРЕЖДАНЕ НА ФУРНАТА.**

**ПРЕДУПРЕЖДЕНИЕ:** Ако вратата/уплътнението на вратата е повредено, спрете да използвате уреда, докато не бъде ремонтирано от квалифицирано лице.

**ПРЕДУПРЕЖДЕНИЕ:** Извършването на операции за поддръжка или на ремонти, които включват отстраняване на корпусите, които предлагат защита от микровълни, е опасно за неквалифицирани лица. **ПРЕДУПРЕЖДЕНИЕ:** Не нагрявайте течности или други храни в херметически затворени съдове, тъй като те могат да експлодират. В случай на изтичане поради повреждане на компонентите на топлообменника, преместете хладилника далеч от източници на открит огън или топлина и проветрете за няколко минути помещението, където се намира уреда.

1. Използвайте само съдове, които са подходящи за използване в микровълнова фурна.
2. Не използвайте метални контейнери за течности или храни в микровълновата фурна.
3. Тогава, когато затопляте храни в пластмасови или хартиени съдове, има риск от тяхно запалване. Поради тази причина, процесът на затопляне трябва да се наблюдава постоянно.
4. Микровълновата фурна е предназначена за затопляне на храни и напитки. Изсушаването на храни или дрехи, затоплянето на възглавници, чехли, гъби за почистване, влажни кърпи или на други подобни предмети може да доведе до риск от нараняване или до възникване на пожар.
5. Ако забележите дим, изключете уреда или извадете щепсела от източника на захранване и дръжте вратата затворена, за да задушите евентуални пламъци. Микровълновото нагряване на напитки може да доведе до изпръскване поради продължително кипене; затова трябва да се обърне специално внимание при боравене с контейнера.
6. С цел предотвратяване на изгарянията разклатете бибероните и бурканите с детски храни или смесете тяхното съдържание и проверете температурата на храните преди да започнете храненето на децата.
7. Не нагрявайте във фурната яйца с кората или варени яйца, защото могат да експлодират дори и след приключване на процеса на затопляне.-
8. Ако фурната не се поддържа чиста, нейните повърхности могат да се повредят, като времето за

употреба на продукта може да се намали и могат да възникнат дори опасни ситуации.

9. Уредът не трябва да се монтира в шкаф.
10. Действайте внимателно, така че да не разместите въртящата се плоча, когато изваждате контейнерите от уреда.
11. Уредът не трябва да се почиства с парочистачка.
12. Уредът не трябва да се инсталира на повече от 900 мм над пода. Необходимото свободно пространство над горната повърхност на фурната: Вижте схемата за инсталиране.

**ПРЕДУПРЕЖДЕНИЕ:** Тогава, когато уредът се използва в режим на комбинирано приготвяне, децата трябва да използват фурната само под наблюдение на възрастно лице, защото във фурната се образуват много високи температури.

13. С цел предотвратяване на опасности, ако захранващият кабел е повреден, трябва да се подмени от производителя, от неговия сервизен представител или от лица с подобна квалификация.
14. Уредът може да се използва от деца на възраст от 8 години и от лица с намалени физически, сетивни или умствени възможности, които нямат опит или познания само, ако са наблюдавани или обучени относно безопасната употреба на уреда и, ако разбират опасностите, свързани с употребата.
15. Децата нямат право да си играят с уреда.
16. Почистването и поддръжката не трябва да се извършват от деца, които не са под наблюдение.
17. Уред от група 2, клас B  
ISM оборудване от група 2: група 2 съдържа цялото ISM оборудване, при което радиочестотната енергия умишлено се генерира и/или използва под формата на електромагнитно излъчване за обработка на материали, както и оборудване за електроерозионна обработка и оборудване за електродъгово заваряване.  
Оборудването от клас B е оборудване, което може да се използва в жилища и в обекти, директно свързани към мрежа за захранване с електроенергия с ниско напрежение, която захранва сгради, използвани за битови нужди.
18. След инсталиране на уреда, щепселът трябва да остане лесно достъпен.
19. Този уред не трябва да се монтира в шкаф с врата.
20. Светлинният поток на вътрешния светодиоден светлинен източник на този продукт е < 60lm.
21. По време на употреба уредът се нагрява. Предотвратявайте докосването на нагревателните елементи от вътрешността на фурната.

**ПРЕДУПРЕЖДЕНИЕ:** Достъпните компоненти могат да се нагряват по време на употреба. Децата на малка възраст трябва да стоят далеч от уреда.

**ПРЕДУПРЕЖДЕНИЕ:** Уредът и достъпните му зони може да се нагряват по време на употреба.

22. Избягвайте докосването на местата, които се нагряват.
23. Не допускате деца под 8 години около уреда само, ако не са под непрекъснат надзор.
24. Не използвайте абразивни агенти за почистване или метални телчета с цел почистване на стъклото на вратата на фурната, защото може да се надраска или спуква.
25. За да се предотврати прегряване, уредът не трябва да се инсталира зад декоративна врата. Уредът може да се използва от деца на възраст най-малко 8 години и от лица с намалени физически, сетивни или умствени способности, или с липса на достатъчен опит и познания, само ако са под наблюдение или са получили указания във връзка с използването на уреда по безопасен начин и ако разбират опасностите, които могат да възникнат при използване на уреда. Децата нямат право да си играят с уреда. Почистването и поддръжката не трябва да се извършват от деца при липса на детайли, указващи правилното инсталиране на рафтовете.

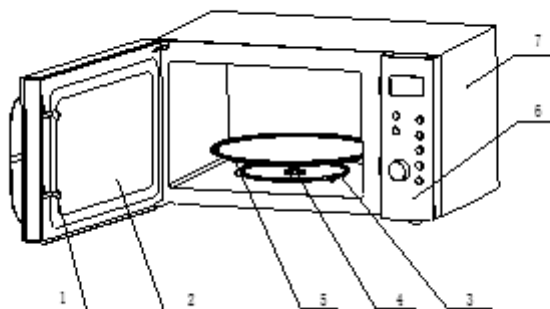
## ЗАБЕЛЕЖКИ:

- Моля, прочетете внимателно наръчника с инструкции преди инсталиране и използване на Вашия уред. Не поемаме никаква отговорност за щети, които са се появили вследствие на несъответстваща употреба.
- Спазвайте всички инструкции върху уреда и от наръчника с инструкции и съхранявайте този наръчник на сигурно място, за да отстраните проблемите, които могат да възникнат в бъдеще.
- Този уред е предназначен за домашна употреба и не трябва да се използва за цели, различни от посочените. Не е подходящ за търговска или съвместна употреба. Такъв вид употреба ще доведе до

анулиране на гаранцията на уреда, а нашата компания няма да носи отговорност за загубите, които ще възникнат.

- Този уред с произведен с цел домашна употреба и е подходящ само за охлаждане/съхраняване на храни. Не е подходящ за търговска или съвместна употреба и/или за съхраняване на нехранителни вещества. Нашата компания не носи отговорност за загуби, които могат да възникнат в противен случай.

## 4. ОПИСАНИЕ НА ПРОДУКТА



### 1. Система за блокиране на вратата

Вратата на микровълновата фурна трябва да се затваря по съответстващ начин, така че да функционира.

### 2. Прозорец за наблюдение

Позволява на потребителя да следи през него процеса на приготвяне.

### 3. Въртяща се ос

Оста върти стъклената чиния с помощта на мотора, който се намира под нея.

### 4. Въртящ се пръстен

Въртящата се чиния е поставена върху колелцата на въртящия се пръстен; той поддържа въртящата се чиния и я уравновесява.

### 5. Въртяща се чиния

Съдовете с храни се поставят върху въртящата се чиния; въртящото движение помага за равномерно приготвяне на храните.

- Поставете първо въртящия се пръстен.

- Нагласете въртящата се чиния върху въртящата се ос и уверете се, че е позиционирана по съответстващ начин.

### 6. Контролен панел

Вижте подробностите по-долу (конфигурацията на контролния панел може да се променя без предварително уведомление)

### 7. Външен капак

Използва се за опаковане и защита на вътрешните структурни части и електрически компоненти на цялата машина

### 8. Капак на водача на микровълната

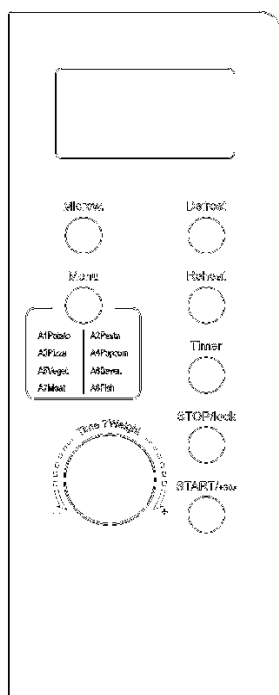
Той се намира във вътрешността на микровълновата фурна, до стената на контролния панел.

Никога не демонтирайте капака на водача на микровълната.

## 5. ИНСТАЛИРАНЕ

1. Отстранете всички опаковки. Ако уредът е завит във защитно фолио, отстранете фолиото преди употреба. Проверете внимателно дали няма повреди. Ако уредът има повреди, свържете се с дистрибутора или обърнете се към оторизирания сервиз на производителя.
2. Микровълновите фурни трябва да се поставят в сухи и некорозионни среди, далеч от източници на топлина и влажност, като горелки или водни резервоари.
3. С цел осигуряване на съответстващо проветряване, разстоянието между задната страна на уреда и стената трябва да бъде най-малко 10 см, разстоянието между страничните части и стената трябва да бъде най-малко 5 см, а пространството над уреда трябва да има височина най-малко 20 см. Уредът трябва да се поставя на височина най-малко 85 см от пода.
4. Фурната трябва да се поставя далеч от телевизори, радиоапарати или антени, защото може да образува интерференции. Разстоянието трябва да бъде най-малко 5 метра.
5. Уредът трябва да се позиционира, така че щепселът да бъде достъпен, а електрическият контакт трябва да бъде заземен.
6. Микровълновата фурна трябва да функционира със затворена врата.
7. Микровълновата фурна не трябва да се поставя в шкаф. Микровълновата фурна е предназначена за употреба като самостоятелен уред.
8. Поради следите от индустриално масло, останали върху вътрешните стени на фурната или върху нагревателния елемент, е възможно по време на първата употреба да се усеща специфична миризма или дори да излиза дим. Това събитие е нормално и ще изчезне след няколко използвания. С цел осигуряване на съответстващо проветряване, отворете прозореца или вратата. Така, преди първата употреба, се препоръчва да поставите една кана с вода върху въртящата се чиния, да настроите уреда на висока мощност и да го включите няколко пъти

## 6. ИЗПОЛЗВАНЕ НА КОНТРОЛНИЯ ПАНЕЛ



## 1. ПРЕДИ ПРИГОТВЯНЕ

Дисплеят светва, когато уредът е свързан към източника на захранване, след което уредът се активира в режим на готовност и на дисплея се показва 1:00.

## 2. РАБОТА НА МИКРОВЪЛНОВАТА ФУРНА

Налични са пет нива на мощност, а именно 100P, 80P, 50P, 30P и 10P. Натиснете и задръжте бутона „Microw.“ и изберете желаната мощност. Завъртете бутона, за да увеличите или намалите продължителността за приготвяне; времевият интервал, който може да бъде избран, е от 0:10 до 60:00. След като изберете продължителността, натиснете бутона „START/+30s.“, така че уредът да започне да работи. Краят на продължителността се сигнализира със звуков сигнал.

HIGH (ВИСОКА МОЩНОСТ)	100% мощност на микровълните	(за бързо приготвяне и в дълбочина)
M.High (средно-висока мощност)	80% мощност на микровълните	(за средна степен на приготвяне)
Med (средна мощност)	50% мощност на микровълните	(за готвене с пара на храните)
M.Low (средно-ниска мощност)	30% мощност на микровълните	(за размразяване на храни)
LOW (НИСКА МОЩНОСТ)	10% мощност на микровълните	(за поддържане на храните топли)

- Максималното време за приготвяне е 60 минути.
- Не използвайте фурната, ако е празна.
- Тогава, когато използвате микровълните при максимална мощност, фурната ще намалява автоматично мощността след определено време, за да удължи времето за употреба на уреда.
- Ако желаете да обърнете храните по време на функциониране, натиснете един път бутона **START/+30s** и предварително определеният процес на приготвяне ще продължи.
- Ако желаете да извадите храните от фурната преди предварително определеното време, трябва да натиснете бутона **STOP/LOCK** един път, за да анулирате предварително определената процедура предотвратявайки по този начин случайното функциониране при следващата употреба.

## 3. DEFROST/CLOCK

Налични са две функции за размразяване, а именно dEF1 и dEF2, dEF1 за размразяване в зависимост от теглото и dEF2 за настройка на продължителността за размразяване.

Натиснете този бутон, за да изберете размразяване в зависимост от теглото или настройка на продължителността за размразяване, а на екрана ще се появи „dEF1“ или „dEF2“.

Завъртете бутона, за да изберете теглото на храната или продължителността за размразяване.

Опционалният интервал на теглото на функцията dEF1 е от 100 г до 1500 г, а опционалният интервал на продължителността на функцията dEF2 е от 0:10 до 60:00.

След като изберете теглото на храната или продължителността на размразяване, натиснете бутона „START/+30s“, така че уредът да започне да работи.

Краят на продължителността се сигнализира със звуков сигнал.

При функцията за размразяване dEF1 уредът издава звуков сигнал, за да покаже, че храната трябва да се обърне по време на размразяването.

По-долу можете да намерите някои съвети за размразяване на храните:

dEF1	За размразяване, интервалът на теглото е от 100 до 1500 г.
dEF2	За размразяване, интервалът от време е от 0:10 до 60:00.

- а) С цел равномерно размразяване е необходимо обръщане на храните по време на функциониране на уреда.
- б) Обикновено размразяването на храните е процес, който трае повече от приготвянето на храните.
- в) Ако храните могат да бъдат нарязани с нож, процесът на размразяване може да се счита за приключен.
- г) Микровълните проникват около 4 см във вътрешността на повечето хранителни продукти.
- д) Размразените хранителни продукти трябва да бъдат консумирани възможно най-скоро. Не се препоръчва повторното им поставяне в хладилник и/или повторното замразяване.

#### 4. АВТОМАТИЧНО ПРИГОТВЯНЕ

Налични са осем метода за автоматично приготвяне, от А.1 до А.8, а именно картофи, макаронени изделия, пица, пуканки, зеленчуци, напитки, месо и съответно риба.

Натиснете и задръжте бутона „Меню“, за да изберете желаните метод, и дисплеят ще покаже методите от А.1 до А.8. Завъртете бутона, за да изберете теглото съответстващо на метода за приготвяне.

След като изберете теглото, натиснете бутона „START/+30s.“, така че уредът да започне да работи. Краят на продължителността се сигнализира със звуков сигнал.

Дисплей	Тип	Метод
А.1	Картофи	Опционалните грамажи са 250 г, 500 г и 750 г.
А.2	Макаронени изделия	Опционалните грамажи са 50 г, 100 г и 150 г.
А.3	Пица	Опционалните грамажи са 200 г и 400 г.
А.4	Пуканки	Опционалният грамаж е 100 г.
А.5	Зеленчуци	Опционалните грамажи са 200 г, 400 г и 600 г.
А.6	Напитки	Опционалните грамажи са 1 чаша, 2 чаши или 3 чаши, всяка от които е приблизително 250 мл.
А.7	Месо	Опционалните грамажи са 200 г, 400 г и 600 г.
А.8	Риба	Опционалните грамажи са 200 г, 400 г и 600 г.

- а) Температурата на храните преди приготвяне трябва да бъде 20-25°C. По-ниската или по-високата температура на продукта преди приготвяне изисква увеличаване или намаляване на времетраенето за приготвяне.
- б) Температурата, теглото и формата на храните оказват значително влияние върху ефекта на приготвянето. Ако се нарушат горните условия, можете да определите времетраенето за готвене, съответстващо за всяка ситуация по отделно.

#### 5. REHEAT

Функцията за претопляне е основно за улесняване на потребителите да затоплят храната според теглото на храната, натиснете непрекъснато бутона „Повторно затопляне“, изберете подходящото тегло на храната, диапазонът на теглото може да бъде избран от 200g, 400g, 600g, 800g и 1000g. След като изберете теглото, натиснете бутона “START/+30s”, за да започнете.

#### 6. ТАЙМЕР

Функцията Timer се използва главно за функцията за напомняне на таймера за обратно броене в състояние на готовност. Натиснете бутона "Timer", за да изберете функцията за време, завъртете



копчето "Time.Weight", за да зададете времето, обхватът на времето за въвеждане от 0:10~60:00. След като зададете времето, натиснете бутона "Старт/+30S", за да стартирате функцията за обратно броене. Когато обратното броене спадне до 0:00, след обратното броене, дълъг звуков сигнал от микровълновата фурна напомня на потребителите, че микровълновата не работи, когато функцията за таймер работи.

### 7. STOP

По време на процеса на конфигуриране на настройките за приготвяне можете да натиснете бутона „STOP“, за да отмените настройките и да се върнете в режим на готовност. По време на работа на микровълновата фурна можете да натиснете бутона „STOP“, за да прекъснете работата. В режим на готовност можете да натиснете отново бутона „STOP“, за да отмените активната функция и да се върнете в режим на готовност.

### 8. START/+30s

След като настроите продължителността за готвене или теглото на храната, натиснете бутона „START/+30s“, за да стартирате микровълновата фурна веднага. По време на работа на уреда, можете да натиснете бутона „START/+30s“, за да увеличите продължителността за приготвяне. Натиснете веднъж, за да увеличите продължителността с 30 секунди. Продължителността не може да бъде настроена във функцията за размразяване.

Ако приготвянето е било прекъснато, можете да натиснете бутона „START/+30s“, за да възобновите работата на микровълновата фурна.

### 9. ФУНКЦИЯ ЗА ЗАКЛЮЧВАНЕ СРЕЩУ ЗАДЕЙСТВАНЕТО ОТ ДЕЦА

Използвайте тази функция, за да блокирате контролния панел по време на почистване на уреда или за да възпрепятствате използването на фурната от деца. По този начин се изключва действието на всички бутони.

- 1) Активиране на функцията за заключване: В режим на готовност натиснете и задръжте натиснат бутона „STOP“ за повече от 3 секунди, а функцията за заключване срещу задействането от деца ще се активира, като всички бутони ще бъдат изключени.
- 2) Деактивиране на функцията за заключване: Когато функцията за заключване срещу задействането от деца е активна, натиснете и задръжте натиснат бутона „STOP“ за повече от 3 секунди, за да деактивирате функцията за заключване срещу задействането от деца.

## УКАЗАНИЯ ЗА ИЗПОЛЗВАНЕ НА СЪДОВЕТЕ

Препоръчваме Ви да използвате само подходящи съдове за приготвяне на храни в микровълнова фурна. Обикновено съдовете, които са произведени от керамика, стъкло или пластмаса и са устойчиви на топлина, са подходящи за приготвяне с микровълни. Никога не използвайте метални съдове при приготвяне с микровълни или при комбинирано приготвяне, защото има риск от образуване на искри. За допълнителни подробности вижте таблицата по-долу:

## СЪВЕТИ ЗА ПРИГОТВЯНЕ НА ХРАНИ

Факторите по-долу могат да засегнат резултата от приготвянето:

### Разполагане на храните

Разположете по-дебелите части на храните към външната част на въртящата се чиния, а по-тънките към нейната среда. Ако е възможно, не поставяйте храните едни върху други.

### Времетраене на приготвянето

Започнете процеса с намалено времетраене за приготвяне, вижте резултата, след това увеличете времетраенето според случая. Прекомерно дългото приготвяне може да образува дим или изгаряния.

### Равномерно приготвяне на храните

Продукти като пилешко месо, хамбургери или пържоли трябва да се обръщат по време на приготвяне.

В зависимост от вида на храната, ако е необходимо, размесвайте в съда откъм външната страна към средата, един път или два пъти.

### Оставете храните да се "смесят"

След приключване на приготвянето, оставете храните във фурната за адекватен период от време, като им позволите да се "смесят" и да изстинат постепенно.

### Проверка на храните

Проверете цвета и гъстотата на храните, за да се уверите, че са добре пригответени:

- Проверете дали парата излиза от цялата повърхност на препарата, не само от края
- Проверете дали ставите на пилешкото месо могат да бъдат раздвижени с лекота
- Уверете се, че в свинското или птичето месо няма вече кръв
- Уверете се, че рибата е непрозрачна и може да бъде нарязана лесно с вилица

### Използване на специален съд за препичане

Тогава, когато използвате съд за препичане или съд за автоматично затопляне, винаги поставяйте под него термоустойчив изолатор, като порцеланова чиния, за да се предотврати повреждането на въртящата се чиния и въртящия се пръстен.

### Използване на стреч фолио

Тогава, когато приготвяте храни с високо съдържание на мазнини, не оставяйте стреч фолиото да контактува с храните, защото може да се разтопи.

### Използване на съответстващи пластмасови съдове

Възможно е определени пластмасови съдове за микровълни да не са подходящи за приготвяне на храни с високо съдържание на мазнини или захар. Също така, времетраенето за претопляне, посочено в наръчниците с инструкции на съдовете, не трябва да се превишава.

## 7. ПОЧИСТВАНЕ И ПОДДРЪЖКА

### ПОЧИСТВАН

Фурната трябва да се почиства редовно, а отлаганията на храни трябва да се отстраняват.

- a. Преди почистване, извадете щепсела от източника на захранване и изчакайте уредът да се охлади. По време на почистване, не потапяйте уреда във вода или други течности.
- b. Ако фурната не се поддържа чиста, нейните повърхности могат да се повредят, като времето за употреба на продукта може да се намали и могат да възникнат дори опасни ситуации.
- c. Не използвайте много силни препарати за миене, бензин, абразивни прахове или метални телчета с цел почистване на уреда.
- d. Не изваждайте капака на водача на микровълната.
- e. След дълга употреба на микровълновата фурна, от вътрешността ѝ могат да се отделят неприятни миризми. За отстраняване на тези миризми разполагате със следните 3 метода:
  - 4) Поставете няколко резенчета лимон в една чашка, след това включете уреда на висока мощност за 2-3 минути;

- 5) Поставете във фурната една чашка с червен чай, след това стоплете чая включвайки уреда на висока мощност;
- 6) Поставете във фурната няколко портокалови корички, след това включете уреда на висока мощност за 1 минута.
- f. Когато не се използва, продуктът трябва да се съхранява на сухо и добре проветриво място.

Детайли за това как да почиствате повърхностите, които влизат в контакт с храните:

След употреба на фурната, избършете капака на водача на микровълната с мека кърпа, след това със суха, за да отстраните капките от мазнина или храни. Натрупването на дебел слой мазнина може да прегрее, може да доведе до образуване на дим и може да се възпламени.

## СЪВЕТИ ЗА ПОЧИСТВАНЕ

Подробности относно почистването на уплътнението на вратата, на вътрешната част и на съседните зони:

### Външна част:

Избърсвайте външната част на уреда с мека и влажна кърпа.

### Врата:

Избърсвайте вратата и стъклото на фурната с мека и влажна кърпа.

Избърсвайте уплътнението и съседните зони отстранявайки петната и капките.

Избърсвайте контролния панел с мека и леко влажна кърпа.

### Вътрешни стени:

Избършете вътрешните повърхности с мека влажна кърпа.

Избърсвайте капака на водача на микровълната, за да отстраните капките върху него.

### Въртяща се чиния / Въртящ се пръстен / Въртяща се ос:

Измивайте ги с вода и неутрален препарат за миене.

Изплаквайте ги с чиста вода и избърсвайте ги добре.

## ПОДДРЪЖКА

### РЕМОНТИ

Преди да се свържете с квалифициран техник, проверете следното:

1. Поставете във фурната една кана с вода (около 150 мл) в стъклен измервателен съд и затворете вратата на фурната. Ако вратата е затворена по съответстващ начин, лампата на фурната изгасва. Оставете фурната да функционира за една минута.
2. Лампата на фурната светва ли?
3. Вентилаторът работи ли?  
(Поставете ръката си върху вентилационните отвори от задната страна на фурната.)
4. Въртящата се чиния върти ли се?  
(Въртящата се чиния се върти в посока на часовниковите стрелки или обратно на тях. Това е нормално.)
5. Водата от вътрешността на фурната гореща ли е?

Ако отговорът е "НЕ" за всички горепосочени въпроси, моля проверете стенния контакт и предпазителя на електрическата инсталация от жилището.

Ако стенният контакт и предпазителят на електрическата инсталация работят по съответстващ начин, тогава **СВЪРЖЕТЕ СЕ С НАЙ-БЛИЗКИЯ ОТОРИЗИРАН СЕРВИЗ.**

## ЗАЩИТНИ МЕРКИ ЗА ОТСТРАНЯВАНЕ НА ПРОБЛЕМИ

### Внимание: РАДИАЦИИ НА МИКРОВЪЛНИ

1. Има електрическа енергия в кондензатора за високо напрежение след изключване от източника на захранване. Направете късо-съединение между негативния полюс на кондензатора за високо напрежение и рамката на фурната (използвайте отвертка), за да го разредите, преди да го докоснете.
2. По време на извършване на ремонти, компонентите по-долу могат да бъдат подменени и имат електрически потенциал над 250 V:
  - Магнетрон;
  - Трансформатор за високо напрежение;
  - Кондензатор за високо напрежение;
  - Диод за високо напрежение;
  - Предпазител за високо напрежение.
3. Описаните по-горе обстоятелства могат да намалят прекомерното излагане на действието на микровълните:
  - Несъответстващото инсталиране на магнетрона;
  - Неправилното монтиране на пантите, на вратата или на системата за блокиране на вратата;
  - Несъответстващото инсталиране на прекъсвача;
  - Вратата, уплътнението на вратата или корпусът са повредени.

## СЕРВИЗ И ОБСЛУЖВАНЕ НА КЛИЕНТИ

Използвайте само оригинални резервни части.

Когато се свързвате с нашия оторизиран сервизен център, уверете се, че имате под ръка следната информация: Наименование на модела и сериен номер.

Информацията може да бъде намерена на табелката с технически данни. Те подлежат на промяна без предварително уведомление.

## ТЕХНИЧЕСКИ ДАННИ

Техническата информация се намира на табелката с технически данни във вътрешността на уреда и на енергийния етикет.

QR кодът върху енергийния етикет, предоставен заедно с уреда, предлага уеб връзка към информацията от базата данни EPREL относно производителността на уреда.

Запазете енергийния етикет за бъдещи справки, заедно с ръководството за употреба и с всички други документи, доставени заедно с този уред.

Също така, можете да намерите същата информация в базата данни EPREL, като използвате връзката <https://eprel.ec.europa.eu> и наименованието на модела и серийния номер на продукта, които се намират на табелката с технически данни на уреда.

За да получите достъп до информация за вашия продукт в портала EPREL, можете да сканирате кодовете по-долу:

Благодарим Ви за закупуването на този продукт! Ако се нуждаете от помощ за вашия продукт, посетете нашия уебсайт, като използвате линковете по-долу.

**Получете ръководства за употреба:** <https://www.heinner.ro>

**Получете информация за ремонт:** <https://www.heinner.ro>



#### **Изхвърляне на отпадъците по начин, отговорен за околната среда**

Можете да помогнете за опазването на околната среда!

Моля спазвайте местните разпоредби: Предайте нефункциониращото електрическо оборудване на център за събиране на отпадъци от електрическо оборудване.



#### **HEINNER е регистрирана марка на компанията Network One Distribution SRL.**

Останалите търговски марки и наименованията на продуктите са търговски марки или регистрирани търговски марки на съответните им притежатели.

Нито една част от спецификациите не може да бъде възпроизвеждана под каквато и да е форма или средство, или използвана за получаване на производни като преводи, трансформации или адаптации, без предварителното съгласие на компанията NETWORK ONE DISTRIBUTION.

Copyright © 2013 Network One Distribution. Всички права запазени.

[www.heinner.com](http://www.heinner.com), <http://www.nod.ro>



Този продукт е проектиран и произведен в съответствие със стандартите и нормите на Европейската общност.



#### **Вносител: Network One Distribution**

ул. Марчел Янку № 3-5, Букурещ, Румъния

Тел: +40 21 211 18 56, [www.heinner.com](http://www.heinner.com) , [www.nod.ro](http://www.nod.ro)

# MIKROHULLÁMÚ SÜTŐ

Modell:  
**HMW-D2060SS**



- Mikrohullámú sütő
- Teljes kapacitás: 20L

**HEINNER**

## 1. BEVEZETŐ

Kérjük, figyelmesen olvassa el az utasításokat, és őrizze meg a kézikönyvet későbbi tanulmányozás céljából.

A kézikönyv célja a készülék beszerelésével, használatával és karbantartásával kapcsolatos minden szükséges tudnivalót rendelkezésére bocsátani. A készülék helyes és biztonságos használata érdekében, kérjük, hogy beszerelés és használat előtt olvassa el figyelmesen a használati kézikönyvet.

## 2. AZ ÖN CSOMAGJÁNAK TARTALMA

- ➔ Mikrohullámú sütő
- ➔ Használati kézikönyv
- ➔ Jótállási bizonylat

## 3. AZ ÖN CSOMAGJÁNAK TARTALMA

### ÁLTALÁNOSSÁGOK

**FIGYELMEZTETÉS: NE KAPCSOLJA BE A MIKROHULLÁMÚ SÜTŐT, HA BELSEJÉBEN NEM TALÁLHATÓ ÉTELT VAGY FOLYADÉKOT TARTALMAZÓ EDÉNY, EZ A SÜTŐ MEGHIBÁSODÁSÁHOZ VEZETHET.**

**FIGYELMEZTETÉS:** Ha az ajtó/ajtótömítés megsérült, ne használja a készüléket, amíg azt szakképzett személy meg nem javítja.

**FIGYELMEZTETÉS:** Szakképzett szerelőkön kívül mindenki más számára veszélyes olyan karbantartási vagy javítási művelet végezni, amely a mikrohullámú energia kisugárzása elleni védelmet biztosító burkolat eltávolításával jár. **FIGYELMEZTETÉS:** Ne melegítsen folyadékokat vagy más élelmiszereket légmentesen lezárt edényekben, mert azok felrobbanhatnak. Ha szivárgás következik be a hőcserélő alkatrészeinek károsodása miatt, akkor a hűtőszekrényt távolítsa el a nyílt láng vagy hőforrások közeléből és szellőztesse néhány percig a helyiséget, ahol a készülék található.

1. A mikrohullámos sütőben csakis mikrózható, megfelelő edényeket használjon.
2. Ne használjon fém folyadék- vagy ételedényeket a mikrohullámú sütőben.
3. Az élelmiszerek műanyag vagy papír edényekben való melegítésekor fennáll a lángra lobbanás veszélye. Ennek érdekében a melegítési folyamatot állandó felügyelet mellett végezze.
4. A mikrohullámú sütő élelmiszerek és italok felmelegítésére szolgál. Étel vagy ruha szárítása, melegítőpárna, papucs, nedves szivacs, rongy vagy más hasonló tárgy melegítése sérülést, robbanást vagy tüzet okozhat.
5. Ha füstöt észlel, kapcsolja ki a készüléket, vagy húzza ki a csatlakozót az áramforrásból, és tartsa zárva az ajtót, hogy elnyomja a lángokat. Az italok mikrohullámú melegítése a hosszan tartó forralás miatt fröccsenéshez vezethet, ezért az edény kezelésénél különös óvatossággal kell eljárni.
6. Az égési sérülések elkerülése érdekében rázza fel a cuclisüvegeket vagy a bébiételeket vagy keverje össze azok tartalmát, a gyermekek etetése előtt pedig ellenőrizze az élelmiszerek hőmérsékletét.
7. Ne melegítsen a sütőben egész tojást héjában vagy főtt tojást, mivel ezek a melegítési művelet befejezése után is szétduzzanhatnak.-
8. Ha nem tartja tisztán a sütőt, sérülhetnek a felületei, működési időtartama csökkenhet, akár veszélyes helyzetek is létrejöhetnek.

9. A készüléket nem szabad szekrénybe szerelni.
10. Legyen óvatos, hogy ne mozdítsa el a forgótányért, amikor kiveszi az edényeket a készülékből.
11. A készüléket nem szabad gőztisztítóval tisztítani.
12. A készüléket nem szabad 900 mm-nél magasabban felszerelni a padlótól. A sütő felső felülete felett szükséges távolság: lásd a beépítési ábrát.

**FIGYELMEZTETÉS:** A kombinációs módon való sütéskor a gyermekek csak felnőtt felügyelete mellett használhatják a sütőt, mivel ilyenkor nagyon nagy hőmérsékletek keletkeznek a sütőben.

13. A veszélyek elkerülése érdekében, ha a tápkábel megsérült, azt a gyártónak, a szervizközpontnak vagy hasonlóan képzett személynek kell kicserélnie.
14. Ezt a készüléket 8 éven felüli gyermekek és szellemileg fogyatékos- sérült vagy tapasztalattal nem rendelkező emberek csak akkor használhatják, ha az értük felelős személy felügyeli őket, illetve előzetesen megértette velük a készülék biztonságos használatát.
15. A gyermekeknek tilos játszani a készülékkel.
16. A berendezés tisztítását és karbantartását gyerekek felnőttek felügyeletének hiányában nem végezhetik.
17. 2. csoportba tartozó készülék, B osztály  
2. csoport ISM-berendezések: A 2. csoportba tartozik minden olyan ISM-berendezés, amelyben szándékosan rádiófrekvenciás energiát állítanak elő és/vagy használnak elektromágneses sugárzás formájában anyagok kezelésére, valamint az elektroeróziós feldolgozó berendezések és az ívhegesztő berendezések.  
A B. osztályú berendezések olyan berendezések, amelyek lakásokban és a háztartási célú épületeket ellátó kifesztültségű villamosenergia-ellátó hálózatra közvetlenül csatlakoztatott egységekben használhatók.
18. A készülék beszerelése után a csatlakozóaljzatnak könnyen hozzáférhetőnek kell maradnia.
19. Ezt a készüléket nem szabad ajtóval ellátott szekrénybe szerelni.
20. A termék belső LED-es fényforrásának fényáramlása < 60lm.
21. A használat során a készülék felforrósodik. Kerülje a sütő belsejében lévő melegítő elemek érintését.

**FIGYELMEZTETÉS:** Az elérhető alkatrészek használat során felforrósodhatnak. Tartsa távol a készüléktől a kisgyermeket.

**FIGYELMEZTETÉS:** A készülék és hozzáférhető felületei ahasználat során felforrósodhatnak.

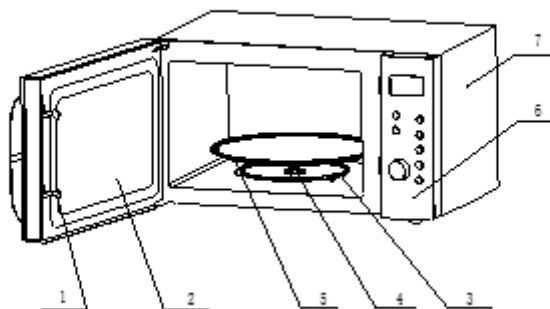
22. Kerülje a felforrósodott felületek megérintését.
23. Tartsa távol a készüléktől a 8 évnél kisebb gyermekeket, ha nincsenek állandó felügyelet alatt.
24. A sütő ablakának tisztításához ne használjon dörzshatású tisztítószereket vagy fémszivacsot, mert ezek megkarcolhatják az ablak felületét vagy eltörhetik azt.
25. A túlmelegedés elkerülése érdekében a készüléket egy díszajtó mögé szerelje fel. A készüléket 8 év fölötti gyerekek és korlátozott fizikai, érzékszervi vagy mentális képességekkel rendelkező, illetve a megfelelő tapasztalattal és jártassággal nem rendelkező személyek csak felügyelet mellett használhatják, vagy ha felkészítették őket a készülék biztonságos használatára, illetve ha tisztában vannak a helytelen használat veszélyeivel. A gyermekeknek tilos játszani a készülékkel. A polcok helyes felszerelésére vonatkozó adatok nélkül a tisztítást és karbantartást gyermekek nem végezhetik.

## MEGJEGYZÉSEK:

- Kérjük, a termék használata előtt olvassa el figyelmesen a használati útmutatót. A készülék nem rendeltetésszerű használatából eredő sérülésekért nem vállalunk semmilyen felelősséget.
- Kövesse a gépen és a használati utasításban leírtakat, és tartsa biztonságos helyen a kézikönyvet a jövőben felmerülő problémák megoldásához.
- Ez a készülék otthoni használatra készült, és nem használható egyéb, mint a megadott célokra. Nem alkalmas kereskedelmi vagy közös használatra. Az ilyenszerű használat érvényteleníti a készülék garanciáját, és cégünk nem vállal felelősséget a bekövetkező veszteségekért.
- Ez a készülék otthoni használatra készült, és csak élelmiszer hűtésére / tárolására alkalmas. Nem alkalmas kereskedelmi vagy közös használatra és / vagy egyéb, mint élelmiszer tárolására. Cégünk nem vállal felelősséget az eltérő esetben bekövetkező veszteségekért.



## 4. A TERMÉK LEÍRÁSA



### 1. Ajtó zárrendszere

A mikrohullámú sütő ajtója megfelelően be kell legyen csukva ahhoz, hogy a készülék működjön.

### 2. Betekintő ablak

Lehetővé teszi a felhasználó számára a készítési folyamat követését.

### 3. Forgó tengely

A tengely az alatta található motor segítségével forgatja az üvegedényt

### 4. Görgős gyűrű

A forgó edény a görgős gyűrű kerekeire nehezedik, ez tartja fenn és egyensúlyozza a forgó edényt

### 5. Forgó edény

Az ételmezeres edények a forgótányérra vannak helyezve, a forgó mozgás segít az ételmezeres egyenletes melegítésében vagy elkészítésében

- Legelőször a görgős gyűrűt helyezze fel.
- Helyezze a forgó edényt a forgó tengelyre és győződjön meg róla, hogy megfelelően beállította.

### 6. Vezérlő panel

Tanulmányozza a lenti részleteket (a kezelőpanel konfigurációja előzetes bejelentés nélkül megváltoztatható)

### 7. Külső burkolat

Az egész gép belső szerkezeti részeinek és elektromos alkatrészeinek becsomagolására és védelmére szolgál

### 8. A hullámvezeték fedőlapja

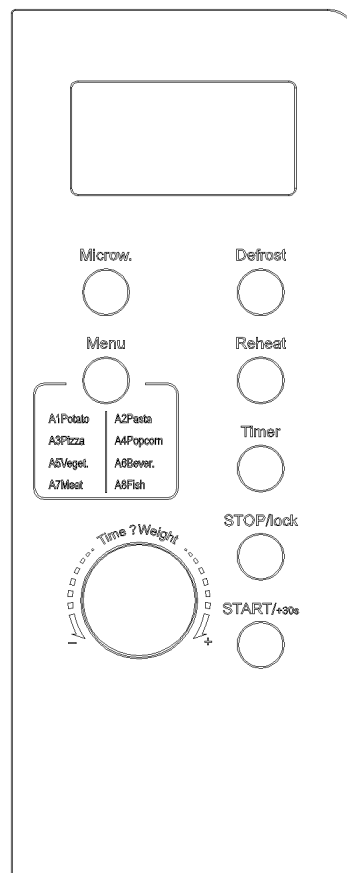
A mikrohullámú sütő belsejében található, a kezelőpanel fala mellett.

Ne távolítsa el a hullámvezető fedőlapját.

## 5. BESZERELÉS

1. Távolítsa el a csomagolóanyagokat. Ha a készülék védőfóliába van csavarva, használat előtt távolítsa el a fóliát. Figyelmesen ellenőrizze az esetleges sérüléseket. Meghibásodás észlelésekor, lépjen kapcsolatba a forgalmazóval vagy forduljon a gyártó javítóközpontjához.
2. A mikrohullámos sütőket száraz és nem korrodáló környezetbe kell elhelyezni, olyan hő- és nedvességforrásoktól távol, mint pl. fűtőtestek és víztartályok.
3. A sütő megfelelő szellőzésének biztosítása érdekében a készülék mögött, a készülék és a fal közt legalább 10 cm, a két oldal mellett legalább 5 cm, felette pedig legalább 20 cm szabad tér legyen. A készüléket a padlótól legalább 85 centiméter távolságra kell elhelyezni
4. Helyezze a sütőt tévé-, rádiókészülékektől vagy antennáktól legalább 5 m távolságba, mert gerjedést okozhatnak.
5. A készüléket úgy helyezze el, hogy dugasza elérhető legyen, a konnektor pedig legyen földelve.
6. A mikrohullámú sütőt mindig működtessük zárt ajtóval.
7. Ne helyezze a mikrohullámú sütőt szekrénybe. A mikrohullámú sütőt önálló készüléknek szánták.
8. Mivel a sütő belső falain ipari olajfoltok maradtak, megtörténhet, hogy első üzemeltetéskor jellegzetes szag érződik vagy akár füst bocsátódik ki. Ez normális jelenség, mely többszöri használat után eltűnik. Megfelelő levegőzés biztosítása érdekében, nyissa ki az ajtót vagy ablakot. Ezért, az első használat előtt, azt ajánljuk, hogy a forgóedényre tegyen egy csupor vizet, állítsa a készüléket nagy teljesítményre, és üzemeltesse néhányszor

## 6. A KEZELŐPANEL HASZNÁLATA



## 1. ELŐKÉSZÍTÉS ELŐTT

A kijelző világít, amikor a készülék csatlakozik a tápegységhez, majd a készülék készenléti üzemmódba kapcsol, és a kijelzőn 1:00 jelenik meg.

## 2. MIKROHULLÁMÚ SÜTŐ MŰKÖDÉSE

Öt teljesítményszint áll rendelkezésre, nevezetesen 100P, 80P, 50P, 30P és 10P. Nyomja meg és tartsa lenyomva a "Microw" gombot, és válassza ki a kívánt teljesítményt. Forgassa el a gombot a főzési idő növeléséhez vagy csökkentéséhez; a választható időtartomány 0:10 és 60:00 között van. Az időtartam kiválasztása után nyomja meg a "START/+30s" gombot a készülék működésének megkezdéséhez. Az időtartam végét egy hangjelzés jelzi.

HIGH (NAGY TELJESÍTMÉNY)	100% mikrohullám teljesítmény	(gyors és alapos elkészítéshez)
M.High (közepesen nagy teljesítmény)	80% mikrohullám teljesítmény	(közepes elkészítéshez)
Med (közepes teljesítmény)	50% mikrohullám teljesítmény	(az élelmiszerek gőzben való elkészítéséhez)
M.Low (közepesen alacsony teljesítmény)	30% mikrohullám teljesítmény	(az élelmiszerek kiolvasztásához)
LOW (ALACSONY TELJESÍTMÉNY)	10% mikrohullám teljesítmény	(az élelmiszerek melegen tartásához)

- A maximális működtetési idő 60 perc.
- Ne használja a mikrohullámú sütőt amikor üres.
- Amikor a mikrohullámokat maximális teljesítményen használja, a mikrohullámú sütő bizonyos idő után automatikusan csökkenti a teljesítményt a készülék élettartamának meghosszabítása érdekében.
- Ha működtetés közben szeretné a benne levő ételt megfordítani, nyomja le egyszer az **START/+30s** gombot és az előre beállított program szerint fogja a gép folytatni az elkészítést.
- Ha szeretné az előre beprogramozott idő előtt kivenni az ételmezeket, nyomja le egyszer a **STOP/LOCK** gombot a beállított üzemmód törléséhez, így megelőzheti, hogy utólag akarjunk ellenére ebben az üzemmódban folytassa.

## 3. DEFROST

Két leolvasztási funkció áll rendelkezésre, nevezetesen a dEF1 és a dEF2, a dEF1 a súly szerinti leolvasztáshoz, a dEF2 pedig a leolvasztási idő beállításához.

Nyomja meg ezt a gombot a súly szerinti leolvasztás vagy a leolvasztási idő beállításának kiválasztásához, és a kijelzőn megjelenik a "dEF1" vagy a "dEF2".

Forgassa el a gombot az étel súlyának vagy a kiolvasztási időnek a kiválasztásához. A dEF1 funkció választható súlytartománya 100 g-tól 1500 g-ig, a dEF2 funkció választható időtartam-tartománya pedig 0:10-től 60:00-ig terjed.

Az étel súlyának vagy a kiolvasztási időnek a kiválasztása után nyomja meg a "START/+30s" gombot a készülék indításához.

Az időtartam végét egy hangjelzés jelzi.

A dEF1 leolvasztási funkcióban a készülék hangjelzéssel jelzi, hogy az ételket a leolvasztás során meg kell fordítani.

Az alábbiakban néhány tippet talál az ételek leolvasztásával kapcsolatban:

dEF1	Felolvasztás esetén a súlytartomány 100 és 1500 g között van.
dEF2	A leolvasztáshoz az időtartomány 0:10 és 60:00 között van.

- A fagyasztott élelmiszert a készülék működése közben meg kell fordítani annak érdekében, hogy egyenletesen kiolvadjon.
- Általában a kiolvasztási folyamat hosszabb mint a melegítési vagy sütési folyamat.
- A kiolvasztási folyamat akkor tekinthető lezártnak, ha a kiolvasztott élelmiszer késsel vágható.
- A mikrohullámok körülbelül 4 cm-re hatolnak be az élelmiszerfajták többségébe.
- A kiolvasztott termékeket mihamarabb fogyassza el. Nem ajánlott a hűtőbe való visszatételük vagy az újrafagyasztásuk

#### 4. AUTOMATIKUS ELŐKÉSZÍTÉS

Nyolc automatikus elkészítési mód áll rendelkezésre, A.1-től A.8-ig, nevezetesen burgonya, tészta, pizza, popcorn, zöldség, ital, hús és hal.

Nyomja meg és tartsa lenyomva a 'Menu' gombot a kívánt módszer kiválasztásához, és a kijelzőn megjelenik az A.1-től A.8-ig terjedő módszer.

A súly kiválasztása után nyomja meg a "START/+30s gombot". a készülék működésének megkezdéséhez. Az időtartam végét egy hangjelzés jelzi.

Kijelző	Típus	Módszer
A.1	Burgonya	A választható súlyok 250g, 500g és 750g.
A.2	Tészta	A választható súlyok 50g, 100g és 150g.
A.3	Pizza	A választható súlyok 200g és 400g.
A.4	Popcorn	A választható súly 100g.
A.5	Zöldség	A választható súlyok 200g, 400g és 600g.
A.6	Italok	A választható súlyok 1 csésze, 2 csésze vagy 3 csésze, egyenként kb. 250 ml.
A.7	Hús	A választható súlyok 200g, 400g és 600g.
A.8	Hal	A választható súlyok 200g, 400g és 600g.

- Az ételek készítés előtti hőmérséklete 20-25 °C kell, hogy legyen. A termék készítés előtti kisebb vagy nagyobb hőmérséklete, a főzési idő növelését vagy csökkentését teszi szükségessé.
- Az ételek hőmérséklete, súlya és alakja jelentősen befolyásolja a főzés eredményét. A fenti feltételektől való eltérések estén, minden esetre külön meghatározhatja a főzési időtartamot.

#### 5. MELEGÍTÉS

Az újramelegítés funkció elsősorban arra szolgál, hogy megkönnyítse a felhasználók számára az élelmiszerek felmelegítését az étel súlyának megfelelően, nyomja meg folyamatosan az „Újramelegítés” gombot, válassza ki a megfelelő súlyú ételt, a súlytartomány 200 g, 400 g, 600 g, 800 g és 1000 g között választható. A súly kiválasztása után nyomja meg a „START/+30s” gombot a kezdéshez.

#### 6. IDŐZÍTŐ

Az Időzítő funkciót főként a visszaszámláló időzítő emlékeztető funkciójára használják készenléti állapotban. Nyomja meg a "Timer" gombot az időzítési funkció kiválasztásához, forgassa el a "Time.Weight" gombot az

időzítés beállításához, a beviteli idő 0:10-60:00 között. Az idő beállítása után nyomja meg a „Start/+30S” gombot a visszaszámlálási funkció elindításához. Amikor a visszaszámlálás 0:00-ra csökken, a visszaszámlálás után a mikrohullámú sütőből egy hosszú sípoló hang figyelmezteti a felhasználókat, hogy a mikrohullámú sütő nem működik, amikor az Időzítő funkció fut.

### 7. STOP

Az előkészítési beállítások konfigurálása közben a "STOP" gomb megnyomásával megszakíthatja a beállításokat, és visszatérhet a készenléti üzemmódba. A mikrohullámú sütő működése közben a "STOP" gombot megnyomva megszakíthatja a működést.

Készenléti állapotban ismét megnyomhatja a "STOP" gombot az aktív funkció törléséhez és a készenléti üzemmódba való visszatéréshez.

### 8. START/+30s

A főzési idő vagy az étel súlyának beállítása után nyomja meg a "START/+30s" gombot a mikrohullámú sütő azonnali indításához. A készülék működése közben megnyomhatja a "START/+30s" gombot a főzési idő növeléséhez. Egyszeri megnyomásával 30 másodperccel növelheti az időt. A kiolvasztás funkcióban az időtartam nem állítható be.

Ha a főzés megszakadt, a mikrohullámú sütő működésének folytatásához megnyomhatja a "START/+30s" gombot.

### 9. GYERMEKZÁR FUNKCIÓ

Ezt a funkciót a kezelőpanel lezárásához (tisztítás közben ne legyen aktív) vagy a sütő gyermekek általi használatának megakadályozására használhatja. Ebben a funkcióban, egyik gomb sem működtethető.

1) A zár funkció aktiválása: Készenléti üzemmódban nyomja meg és tartsa lenyomva a "STOP" gombot több mint 3 másodpercig, és a gyermekzár funkció aktiválódik, és az összes gomb letiltásra kerül.

2) A gyermekzár funkció kikapcsolása: Ha a gyermekzár funkció aktív, a gyermekzár funkció kikapcsolásához tartsa lenyomva a "STOP" gombot több mint 3 másodpercig.

## AZ EDÉNYEK HASZNÁLATÁRA VONATKOZÓ ÚTMUTATÓ

Azt javasoljuk, hogy a mikrohullámú sütőben való főzéshez csak megfelelő edényeket használjon. Általában a kerámiából, üvegből vagy hőálló műanyagból gyártott edények felelnek meg erre a célra. Soha ne használjon fémedényeket a mikrohullámú vagy a kombinációs főzéshez, mert fennáll a szikraképződés veszélye. Kiegészítő részletekért tanulmányozza az alábbi táblázatot:

## AZ ELKÉSZÍTÉSRE VONATKOZÓ TANÁCSOK

Az alábbi tényezők befolyásolhatják a készítés eredményét.

### Az ételek elrendezése

Az ételek vastagabb felét helyezze a forgótányér széle fele, a vékonyabb részüket pedig a közepére. Ha lehetőség van rá, ne helyezze egymásra az ételeket.

### A elkészítés időtartama

A folyamatot egy rövidebb készítési időtartammal kezdje, figyelje meg az eredményt, majd szükség esetén növelje az időtartamot. A túl hosszú főzési időtartam füstölést vagy odaégést eredményezhet.

### Az ételek egyenletes elkészítése

Az olyan élelmiszereket, mint a baromfi, hamburger vagy sülték, készítés közben meg kell forgatni.

Az étel típusától függően, szükség esetén, az edényben egyszer vagy kétszer kavargassa meg a szélétől a közepe felé.

### **Hagyja az ételeket „összeérni”**

Az főzés befejezése után, hagyja az ételeket megfelelő ideig a sütőben, hogy az ízek „összeérjenek”, és hogy fokozatosan hűljön ki.

### **Az ételek ellenőrzése**

Ellenőrizze az ételek színét és állagát, hogy meggyőződjön arról, hogy megfelelő módon elkészültek:

- Ellenőrizze, hogy a készítménynek nem csak a széle, hanem az egész felülete gőzöl
- Ellenőrizze, hogy a baromfi ízületei könnyen mozgathatók
- Győződjön meg arról, hogy a disznó- és a baromfi hús jól elkészült
- Győződjön meg arról, hogy a hal nem áttetsző és villával könnyen darabolható

### **Csak sütéshez való tál használata**

Sütéshez való tál vagy önmelegedő edény használata esetén, a forgó tányér és a görgős gyűrű megrongálódásának elkerülése végett helyezzen ezek alá mindig egy hőálló szigetelőt, pl. egy porcelán tányért.

### **Műanyag fólia használata**

Ha magas zsírtartalmú ételt készít, ne hagyja a fóliát az étellel érintkezni, mert megolvadhat.

### **Megfelelő műanyag edények használata**

Előfordulhat, hogy egyes mikrohullámmal főzésre alkalmas műanyag tálak nem felelnek meg nagy zsír- vagy cukor tartalmú ételek készítésére. Ugyanakkor ne haladja meg az edények használati kézikönyvében feltüntetett előmelegítési időtartamot.

## **7. TISZTÍTÁS ÉS KARBANTARTÁS**

### **TISZTÍTÁS**

Tisztítsa ki rendszeresen a sütőt, távolítsa el az ételmaradékokat.

- Tisztítás előtt húzza ki a tápkábelt a tápegységből, és várja meg, amíg a készülék lehűl. A tisztítás alatt ne helyezze a készüléket vízbe vagy más folyadékba.
- Ha nem tartja tisztán a sütőt, sérülhetnek a felületei, működési időtartama csökkenhet, akár veszélyes helyzetek is létrejöhetnek.
- A készülék tisztításához ne használjon erős tisztítószeret, oldószeret, dörzshatású tisztítószeret vagy fémszivacsot.
- Ne távolítsa el a hullámvezető fedőlapját.
- A mikrohullámú sütő belseje hosszas használat után kellemetlen szagokat bocsáthat ki. Ezek eltüntetésére az alábbi három módszert alkalmazhatja:
  - Helyezzen néhány szelet citromot egy csuporba, majd 2-3 percig működtesse a készüléket magas teljesítményen
  - Helyezzen a sütőbe egy csupor piros teát, majd melegítse fel a teát, a készüléket legnagyobb teljesítményre kapcsolva.
  - Helyezzen a sütőbe néhány narancshéjat, majd 1 percig üzemeltesse a készüléket a legnagyobb teljesítményen.
- Amikor a terméket nem használják, száraz és jól szellőző helyen kell tárolni.

Az élelmiszerrel érintkező felületek tisztítására vonatkozó részletek:

A sütő használata után a zsiradék vagy élelmiszercseppek eltávolításáért a hullámvezető fedőlapját törölje át puha ronggyal, majd szárazzal. A vastag zsiradék lerakódás túlhevülhet, füstöt bocsáthat ki és lángra lobbanhat.

## TISZTÍTÁSRA VONATKOZÓ TANÁCSOK

Az ajtó tömítésre, a készülék belsejére és környező területeinek tisztítására vonatkozó részletek:

### Külső rész:

A készülék külső részét törölje meg puha és nedves ronggyal.

### Ajtó:

A sütő ajtóját és ablakát törölje meg nedves és puha ronggyal.

Törölje meg a tömítéseket és a környező részeket, távolítsa el a foltokat és cseppeket.

Törölje meg a vezérlőpanelt egy enyhén megnedvesített, puha törlővel.

### Belső falak:

A belső felületeket puha, nedves ruhával törölje át.

Törölje meg a hullámvezető fedőlapját, hogy eltüntesse a rajta lévő foltokat, szennyeződést.

### Forgó tányér/Görgős gyűrű/Forgó tengely:

Mossa meg vízzel és semleges tisztítószerrel.

Öblítse le tiszta vízzel és törölje szárazra.

## KARBANTARTÁS

### JAVÍTÁSOK

Mielőtt szakembert hívna, ellenőrizze az alábbiakat:

1. Helyezzen a sütőbe egy pohár vizet (kb. 150ml) egy üveg mérőpohárba és csukja be a sütő ajtóját. Ha az ajtót megfelelően becsukta, a sütő égője kialszik. Hagyja a sütőt egy percig működni.
2. Kigyúl a sütő égője?
3. Működik a ventilátor?

(Tartsa a kezét a sütő hátsó oldalánál található szellőzőnyílásokhoz.)

4. Forog a forgótányér?

(A forgótányér az óramutató járásával azonos vagy ellentétes irányban forog. Ez normális jelenség.)

5. A sütő belsejében forró a víz?

Ha a fenti kérdések bármelyikére „NEM” a válasz, kérjük, ellenőrizze a fali csatlakozót és a lakásban lévő áramkör biztosítótábláját.

Ha a fali csatlakozó és az áramkör megfelelően működik, **LÉPJEN KAPCSOLATBA A LEGKÖZELEBBI SZAKSZERVÍZZEL.**

### JAVÍTÁSSAL KAPCSOLATOS ÓVINTÉZKEDÉSEK

**Figyelem: MIKROHULLÁM KISUGÁRZÁS**

1. A magas feszültségű kondenzátorban villamos áram található a tápforrásról való lecsatlakoztatás után is. Zárja rövidre a magasfeszültségű kondenzátor negatív pólusát a sütő vázával (használgjon egy csavarhúzó), hogy áramtalanítsa, mielőtt hozzáér.

2. A javítás elvégzése alatt az alábbi alkotóelemek cserélhetők ki, amelyek elektromos feszültsége 250 V feletti.
  - Magnetron
  - Magas feszültségű transzformátor
  - Magas feszültségű kondenzátor
  - Magas feszültségű dióda
  - Magas feszültségű biztosíték
3. A fent leírt körülmények a mikrohullámú energia-kisugárzás túlzott hatásának való kitételhez vezethetnek:
  - A magnetron nem megfelelő beszerelése;
  - Az ajtó elzáró rendszerének, az ajtópántnak vagy az ajtónak a helytelen felszerelése;
  - A kapcsoló helytelen felszerelése;
  - Az ajtó, az ajtótömítés vagy a burkolat megsérültek.

## SZERVIZ ÉS ÜGYFÉLSZOLGÁLAT

Kizárólag eredeti cserealkatrészeket használjon.

Mielőtt felvenné a kapcsolatot az engedélyezett szakszervizünkkel, győződjön meg róla, hogy a következő adatok a rendelkezésére állnak: Modell megnevezése és sorozatszám.

Ezeket az adatokat a készülék műszaki adattábláján találja. Ezek az adatok előzetes értesítés nélkül is megváltoztathatók.

## MŰSZAKI ADATOK

A műszaki információk a készülék belsejében található műszaki adattáblán és az energiacímkén található.

A készülékhez mellékelt energiacímkén található QR-kód a készülék teljesítményére vonatkozó információkat tartalmazó EPREL-adatbázisra mutató weblinket tartalmaz.

Az energiacímkét a használati útmutatóval és a készülékhez mellékelt minden más dokumentummal együtt őrizze meg későbbi használatra.

Ugyanezeket az információkat az EPREL adatbázisban is megtalálhatja a <https://eprel.ec.europa.eu> linkre kattintva, valamint a termék típusnevét és sorozatszámát, amely a készülék műszaki adattábláján található.

Az EPREL portálon található termékinformációkhoz az alábbi kódok beolvasásával férhet hozzá:



Köszönjük, hogy megvásárolta termékünket! Ha segítségre van szüksége a termékkel kapcsolatban, kérjük, látogasson el weboldalunkra az alábbi linkek segítségével.

**Használati útmutatók beszerzése:** <https://www.heinner.ro>

**Javítási információk letöltése:** <https://www.heinner.ro>



#### **A hulladékok környezetfelelős eltávolítása**

Segíthet a környezet védelmében!

Kérjük, tartsa be a helyi rendelkezéseket: a nem működő elektromos berendezéseket a használt elektromos hulladékokat gyűjtő központba szolgáltassa be.



A **HEINNER** a **Network One Distribution SRL(KFT)** társaság által bejegyzett védjegy. A többi márkajelzés és a termékek megnevezése kereskedelmi vagy az illető birtoklók által bejegyzett márkanevek.

A leírtak egyetlen része sem használható fel semmilyen formában, még lefordított, átalakított változatban sem, a NETWORK ONE DISTRIBUTION előzetes beleegyezése nélkül.

Copyright © 2013 Network One Distribution. Minden jog fenntartva.

[www.heinner.com](http://www.heinner.com), <http://www.nod.ro>



A terméket az Európai Közösség előírásainak és jogszabályainak megfelelően tervezték és gyártották.



Importőr: **Network One Distribution**

Marcel Iancu utca, 3-5 szám, Bukarest (București), Románia

Tel: +40 21 211 18 56, [www.heinner.com](http://www.heinner.com) , [www.nod.ro](http://www.nod.ro)