

HEINNER

AIR CONDITIONER

Model: HAC-CR09WHN / HAC-09CRKIT

HAC-CR12WHN /

HAC-12CRKIT / HAC-CR12WIFI

HAC-CR18WHN/ HAC-CR18WIFI

HAC-CR24WHN / HAC-CR24WIFI



- Air conditioner
- Capacity: 9000 / 12000 / 18000 / 24000 BTU
- Color: white

Thank you for choosing this product!

I. INTRODUCTION

Please read this instruction manual carefully before using it and keep it for later information

This manual is conceived for offering you all of the necessary info regarding installation, using and maintenance of the machine. For a correctly and safely use of the machine, please, read this manual before installation and using.

II. PACKAGE CONTENTS



- **Air conditioner**
- **Instruction Manual**
- **Warranty card**
- **Remote controller manual**
- **Installation kit (HAC-09CRKIT, HAC-12CRKIT)**
- **WIFI kit (HAC-CR12WIFI, HAC-CR18WIFI, HAC-CR24WIFI)**

III. SAFETY PRECAUTIONS



CAUTION: Risk of fire / flammable materials (For R32/R290 units only)

WARNING: Servicing shall only be performed as recommended by the equipment manufacturer. Maintenance and repair requiring the assistance of other skilled personnel shall be carried out under the supervision of the person competent in the use of flammable refrigerants. For more details, please refer to the "Information on servicing on Installation manual. (This is only required for the unit adopts R32/R290 refrigerant).

Incorrect installation due to ignoring instructions can cause serious damage or injury. The seriousness of potential damage or injuries is classified as either a **WARNING** or **CAUTION**.



WARNING This symbol indicates that ignoring instructions may cause death or serious injury.



CAUTION This symbol indicates that ignoring instructions may cause moderate injury to your person, or damage to your appliance or other property.

WARNING

This appliance can be used by children aged from 8 years and above and persons with reduced physical, sensory or mental capabilities or lack of experience and knowledge if they have been given supervision or instruction concerning use of the appliance in a safe way and understand the hazards involved. Children shall not play with the appliance. Cleaning and user maintenance shall not be made by children without supervision.

INSTALLATION WARNINGS

- Ask an authorized dealer to install this air conditioner. Inappropriate installation may cause water leakage, electric shock, or fire.
- All repairs, maintenance and relocation of this unit must be performed by an authorized service technician. Inappropriate repairs can lead to serious injury or product failure.






WARNINGS FOR PRODUCT USE

- If an abnormal situation arises (like a burning smell), immediately turn off the unit and pull the power plug. Call your dealer for instructions to avoid electric shock, fire or injury.
- Do not insert fingers, rods or other objects into the air inlet or outlet. This may cause injury, since the fan may be rotating at high speeds.
- Do not use flammable sprays such as hair spray, lacquer or paint near the unit. This may cause fire or combustion.
- Do not operate the air conditioner in places near or around combustible gases. Emitted gas may collect around the unit and cause explosion.
- Do not operate the air conditioner in a wet room (e.g., bathroom or laundry room). This can cause electrical shock and cause the product to deteriorate.
- Do not expose your body directly to cool air for a prolonged **period of time**.

ELECTRICAL WARNINGS

- Only use the specified power cord. If the power cord is damaged, it must be replaced by the manufacturer or certified service agent.
- Keep power plug clean. Remove any dust or grime that accumulates on or around the plug. Dirty plugs can cause fire or electric shock.
- Do not pull power cord to unplug unit. Hold the plug firmly and pull it from the outlet. Pulling directly on the cord can damage it, which can lead to fire or electric shock.
- Do not use an extension cord, manually extend the power cord, or connect other appliances to the same outlet as the air conditioner. Poor electrical connections, poor insulation, and insufficient voltage can cause fire.

Explanation of symbols displayed on the indoor unit or outdoor unit

	WARNING	This symbol shows that this appliance used a flammable refrigerant. If the refrigerant is leaked and exposed to an external ignition source, there is a risk of fire.
	CAUTION	This symbol shows that the operation manual should be read carefully.
	CAUTION	This symbol shows that a service personnel should be handling this equipment with reference to the installation manual.
	CAUTION	
	CAUTION	This symbol shows that information is available such as the operating manual or installation manual.

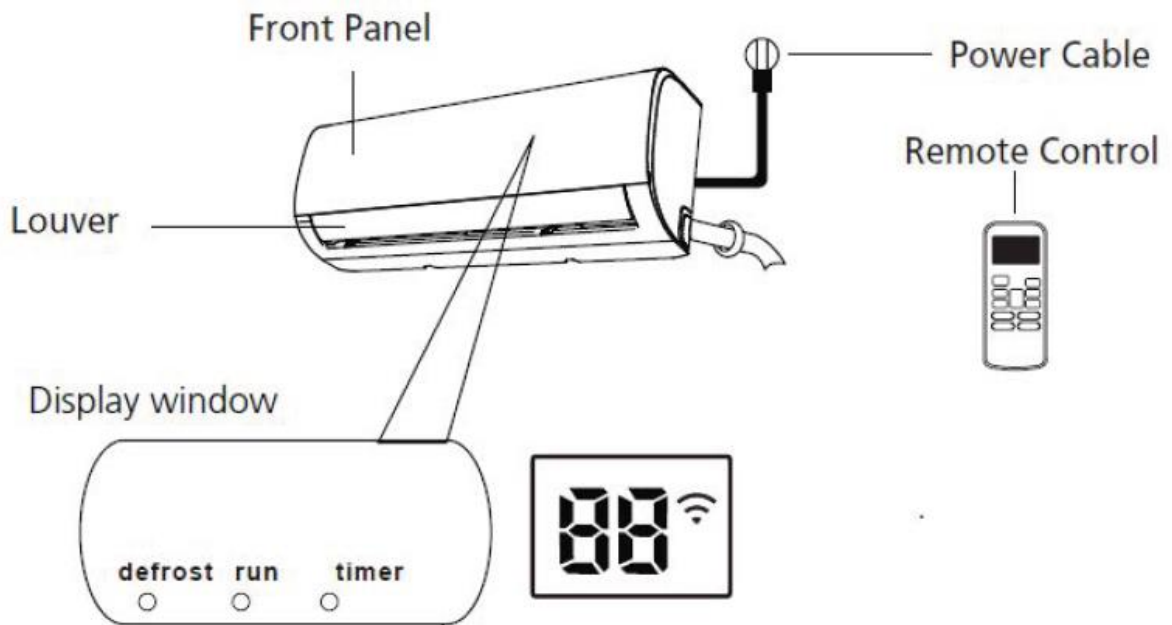
IV. CLEANING AND MAINTENANCE WARNINGS

- Turn off the device and pull the plug before cleaning. Failure to do so can cause electrical shock.
- Do not clean the air conditioner with excessive amounts of water.
- Do not clean the air conditioner with combustible cleaning agents. Combustible cleaning agents can cause fire or deformation.

CAUTION

- If the air conditioner is used together with burners or other heating devices, thoroughly ventilate the room to avoid oxygen deficiency.
- Turn off the air conditioner and unplug the unit if you are not going to use it for a long time.
- Turn off and unplug the unit during storms.
- Make sure that water condensation can drain unhindered from the unit.
- Do not operate the air conditioner with wet hands. This may cause electric shock.
- Do not use device for any other purpose than its intended use.
- Do not climb onto or place objects on top of the outdoor unit.

V. UNIT SPECIFICATION AND FEATURES



Defrost - when defrost feature is activated

Run - when the unit is on

Timer – when timer is set

📶 - when Wireless control feature is activated (some units)

“88” illuminates gradually one by one as E

C-0 - set temperature – E - in one second interval

In other modes, the unit will display your temperature setting.

In Fan mode, the unit will display the room temperature.

When error occurs, it displays error code.

“ON” for 3 seconds when:

TIMER ON – is set

SWING, TURBO or **SILENCE** features are turned on

“OF” for 3 seconds when:

TIMER OFF is set

SWING, TURBO or **SILENCE** features are turned off

“cF” when anti-cold air feature is turned on

“dF” when defrosting

“SC” when unit is self-cleaning

“FP” when freeze protection (8° Heating) is turned on

VI. ACHIEVING OPTIMAL PERFORMANCE

Optimal performance for the COOL, HEAT, and DRY modes can be achieved in the following temperature ranges. When your air conditioner is used outside of these ranges, certain safety protection features will activate and cause the unit to perform less than optimally.

Inverter Split Type

COOL mode		HEAT mode	DRY mode
Room temperature	17°C - 32°C (63°F - 90°F)	0°C - 30°C (32°F - 86°F)	10°C - 32°C (50°F - 90°F)
Outdoor temperature	0°C - 50°C (32°F - 122°F)	-15°C - 30°C (5°F - 86°F)	0°C - 50°C (32°F - 122°F)
	-15°C - 50°C (5°F - 122°F) (For models with low temp. cooling systems.)		
	0°C - 60°C (32°F - 140°F) (For special tropical models)		0°C - 60°C (32°F - 140°F) (For special tropical models)

FOR OUTDOOR UNITS WITH AUXILIARY ELECTRIC HEATER

When outside temperature is below 0°C (32°F), we strongly recommend keeping the unit plugged in at all time to ensure smooth ongoing performance.

Fixed-speed Type

	COOL mode	HEAT mode	DRY mode
Room Temperature	17°-32°C (63°-90°F)	0°-30°C (32°-86°F)	10°-32°C (50°-90°F)
Outdoor Temperature	18°-43°C (64°-109°F)	-7°-24°C (19°-75°F)	11°-43°C (52°-109°F)
	-7°-43°C (19°-109°F) (For models with low-temp cooling systems)		18°-43°C (64°-109°F)
	18°-54°C (64°-129°F) (For special tropical models)		18°-54°C (64°-129°F) (For special tropical models)

To further optimize the performance of your unit, do the following:

- Keep doors and windows closed.
- Limit energy usage by using TIMER ON and TIMER OFF functions.
- Do not block air inlets or outlets.
- Regularly inspect and clean air filters.

For a detailed explanation of each function, refer to the Remote-Control Manual.

Other Features

- **Auto-Restart**

If the unit loses power, it will automatically restart with the prior settings once power has been restored.

- **Follow me**

Using Follow Me feature, the remote display is actual temperature at its location. The remote control will send this signal to the air conditioner every 3 minutes interval until press the Follow Me button again. The air conditioner will cancel the Follow Me feature automatically if it does not receive the signal during any 7 minutes interval.

- **Self clean**

Active / Disable self clean function. After running in cooling or drying mode, if the user press "Self Clean" button on remote controller, firstly, indoor unit runs in fan only mode for a while, then low heat operation and finally runs in fan only again. This function can keep the inside of indoor unit dry and prevent breeding of mold.

- **Louver Angle Memory**

When turning on your unit, the louver will automatically resume its former angle.

- **Refrigerant Leakage Detection**

The indoor unit will automatically display "EC" The "timer" indicator light turns off and the "run" indicator light flashes 7 times when the unit detects refrigerant leakage.

For a detailed explanation of your unit's advanced functionality (such as TURBO mode, Silence and 8° heating functions), refer to the Remote Control Manual.

VII. SETTING ANGLE OF AIR FLOW

Setting vertical angle of air flow

While the unit is on, use the **SWING/DIRECT** button to set the direction (vertical angle) of airflow.

1. Press the **SWING/DIRECT** button once to activate the louver. Each time you press the button, it will adjust the louver by 6°. Press the button until the direction you prefer is reached.
2. To make the louver swing up and down continuously, press and hold the **SWING/DIRECT** button for 3 seconds. Press it again to stop the automatic function.

Setting horizontal angle of air flow

The horizontal angle of the airflow must be set manually. Grip the deflector rod (See Fig.B) and manually adjust it to your preferred direction.

For some units, the horizontal angle of the airflow can be set by remote control. Please refer to the Remote Control Manual.

NOTE ON LOUVER ANGLES

When using COOL or DRY mode, do not set louver at too vertical an angle for long periods of time. This can cause water to condense on the louver blade, which will drop on your floor or furnishings. (See Fig.A)

When using COOL or HEAT mode, setting the louver at too vertical an angle can reduce the performance of the unit due to restricted air flow.

Do not move louver by hand. This will cause the louver to become out of sync. If this occurs, turn off the unit and unplug it for a few seconds, then restart the unit. This will reset the louver.

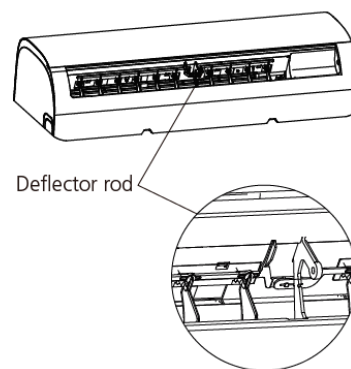
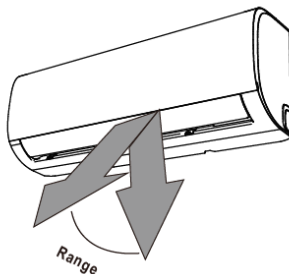


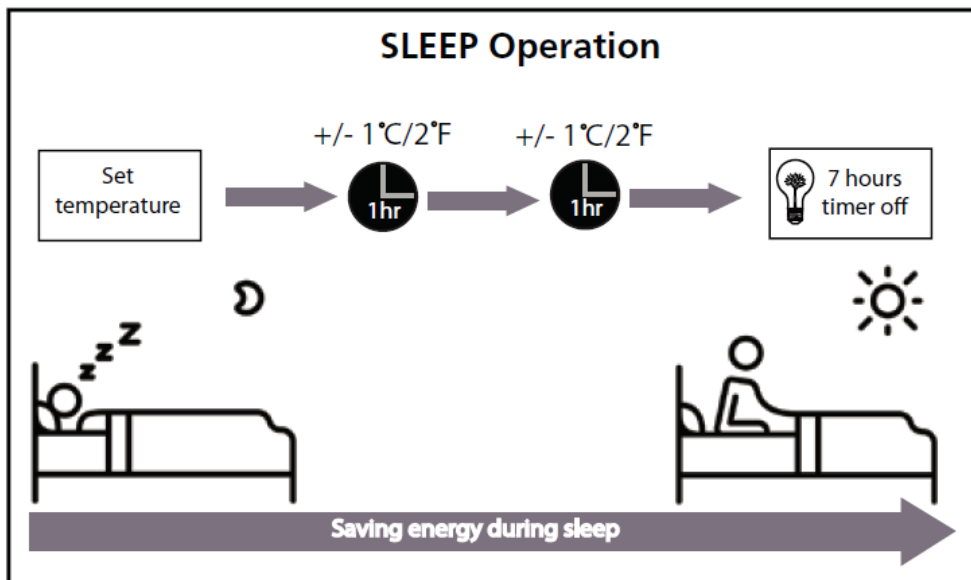
Fig. B

Do not put your fingers in or near the blower and suction side of the unit. The high-speed fan inside the unit may cause injury.

Sleep Operation

The SLEEP function is used to decrease energy use while you sleep (and don't need the same temperature settings to stay comfortable). This function can only be activated via remote control. Press the SLEEP button when you are ready to go to sleep. When in COOL mode, the unit will increase the temperature by 1°C (2°F) after 1 hour, and will increase an additional 1°C (2°F) after another hour. When in HEAT mode, the unit will decrease the temperature by 1°C (2°F) after 1 hour, and will decrease an additional 1°C (2°F) after another hour. It will hold the new temperature for 5 hours, then the unit will turn off automatically.

Note: The SLEEP function is not available in FAN or DRY mode.



VIII. MANUAL OPERATING (WITHOUT REMOTE)

How to operate your unit without the remote control

In the event that your remote control fails to work, your unit can be operated manually with the MANUAL CONTROL button located on the indoor unit. Note that manual operation is not a long-term solution, and that operating the unit with your remote control is strongly recommended.

BEFORE MANUAL OPERATION

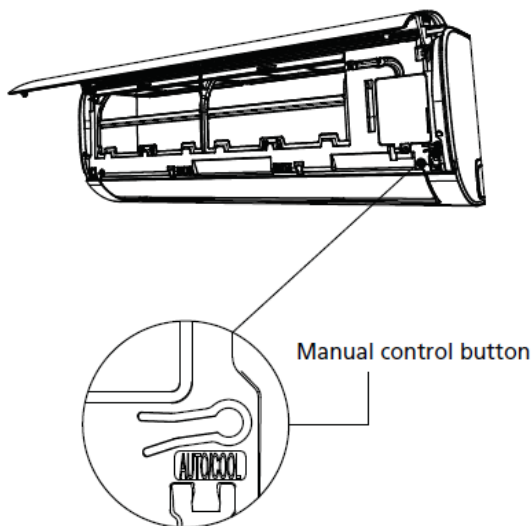
Unit must be turned off before manual operation.

To operate your unit manually:

- 1 . Open the front panel of the indoor unit.
- 2 . Locate the MANUAL CONTROL button on the right-hand side of the unit.
- 3 . Press the MANUAL CONTROL button one time to activate FORCED AUTO mode.
- 4 . Press the MANUAL CONTROL button again to activate FORCED COOLING mode.
- 5 . Press the MANUAL CONTROL button a third time to turn the unit off.
- 6 . Close the front panel.

CAUTION

The manual button is intended for testing purposes and emergency operation only. Please do not use this function unless the remote is lost and it is absolutely necessary. To restore regular operation, use the remote control to activate the unit.



IX. CARE AND MAINTENANCE

Cleaning Your Indoor Unit

BEFORE CLEANING OR MAINTENANCE

ALWAYS TURN OFF YOUR AIR CONDITIONER SYSTEM AND DISCONNECT ITS POWER SUPPLY BEFORE CLEANING OR MAINTENANCE.

CAUTION

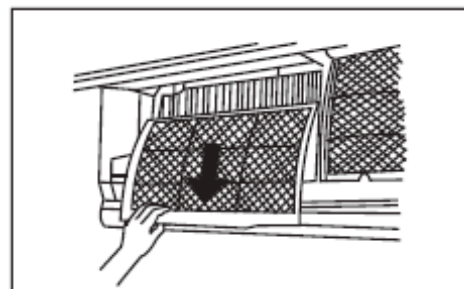
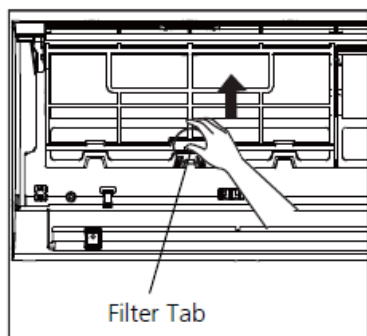
Only use a soft, dry cloth to wipe the unit clean. If the unit is especially dirty, you can use a cloth soaked in warm water to wipe it clean.

- Do not use chemicals or chemically treated cloths to clean the unit
- Do not use benzene, paint thinner, polishing powder or other solvents to clean the unit. They can cause the plastic surface to crack or deform.
- Do not use water hotter than 40°C (104°F) to clean the front panel. This can cause the panel to deform or become discolored.

Cleaning Your Air Filter

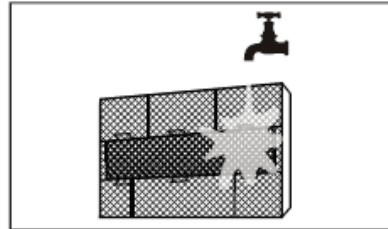
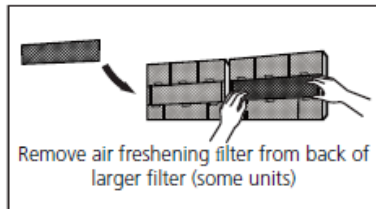
A clogged air conditioner can reduce the cooling efficiency of your unit, and can also be bad for your health. Make sure to clean the filter once every two weeks.

1. Lift the front panel of the indoor unit.
2. First press the tab on the end of filter to loosen the buckle, lift it up, then pull it towards yourself.
3. Now pull the filter out.
4. If your filter has a small air freshening filter, unclip it from the larger filter. Clean this air freshening filter with a hand-held vacuum.
5. Clean the large air filter with warm, soapy water. Be sure to use a mild detergent.
6. Rinse the filter with fresh water, then shake off excess water.
7. Dry it in a cool, dry place, and refrain from exposing it to direct sunlight.
8. When dry, re-clip the air freshening filter to the larger filter, then slide it back into the indoor unit.
9. Close the front panel of the indoor unit.



CAUTION

Do not touch air freshening (Plasma) filter for at least 10 minutes after turning off the unit. Available to units with plasma filter.

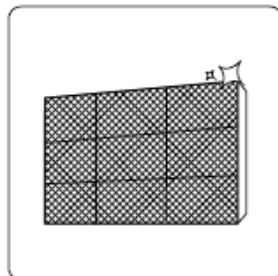


CAUTION

- Before changing the filter or cleaning, turn off the unit and disconnect its power supply.
- When removing filter, do not touch metal parts in the unit. The sharp metal edges can cut you.
- Do not use water to clean the inside of the indoor unit. This can destroy insulation and cause electrical shock.
- Do not expose filter to direct sunlight when drying. This can shrink the filter.

Maintenance – Long Periods of Non-Use

If you plan not to use your air conditioner for an extended period of time, do the following:



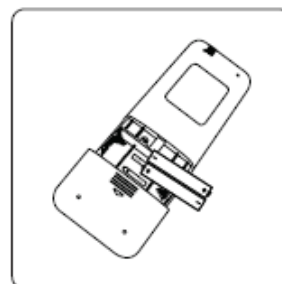
Clean all filters



Turn on FAN function until unit dries out completely



Turn off the unit and disconnect the power



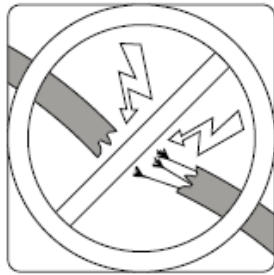
Remove batteries from remote control

CAUTION

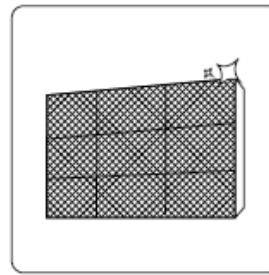
- Any maintenance and cleaning of outdoor unit should be performed by an authorized dealer or licensed service provider.
- Any unit repairs should be performed by authorized dealer or licensed service provider.

Maintenance – Pre-Season Inspection

After long periods of non-use, or before periods of frequent use, do the following:



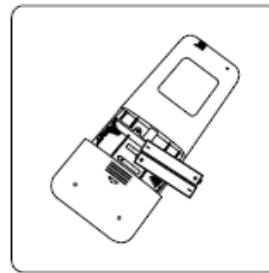
Check for damaged wires



Clean all filters



Check for leaks



Replace batteries



Make sure nothing is blocking all air inlets and outlets

X. TROUBLESHOOTING

SAFETY PRECAUTIONS

If ANY of the following conditions occurs, turn off your unit immediately!

- The power cord is damaged or abnormally warm
- You smell a burning odor
- The unit emits loud or abnormal sounds
- A power fuse blows or the circuit breaker frequently trips
- Water or other objects fall into or out of the unit

DO NOT ATTEMPT TO FIX THESE YOURSELF! CONTACT AUTHORIZED SERVICE PROVIDER IMMEDIATELY!

Common Issues

The following problems are not a malfunction and in most situations will not require repairs.

Issue	Possible causes
Unit does not turn on when pressing ON/OFF button	The Unit has a 3-minute protection feature that prevents the unit from overloading. The unit cannot be restarted within three minutes of being turned off.
The unit changes from COOL/HEAT mode to FAN mode	The unit may change its setting to prevent frost from forming on the unit. Once the temperature increases, the unit will start operating in the previously selected mode again.
	The set temperature has been reached, at which point the unit turns off the compressor. The unit will continue operating when the temperature fluctuates again.
The indoor unit emits white mist	In humid regions, a large temperature difference between the room’s air and the conditioned air can cause white mist.
Both the indoor and outdoor units emit white mist	When the unit restarts in HEAT mode after defrosting, white mist may be emitted due to moisture generated from the defrosting process.
The indoor unit makes noises	A rushing air sound may occur when the louver resets its position.
	A squeaking sound may occur after running the unit in HEAT mode due to expansion and contraction of the unit’s plastic parts.

Both the indoor unit and outdoor unit make noises	Low hissing sound during operation: This is normal and is caused by refrigerant gas flowing through both indoor and outdoor units.
	Low hissing sound when the system starts, has just stopped running, or is defrosting: This noise is normal and is caused by the refrigerant gas stopping or changing direction.
	Squeaking sound: Normal expansion and contraction of plastic and metal parts caused by temperature changes during operation can cause squeaking noises.
Issue	Possible causes
The outdoor unit makes noises	The unit will make different sounds based on its current operating mode.
Dust is emitted from either the indoor or outdoor unit	The unit may accumulate dust during extended periods of non-use, which will be emitted when the unit is turned on. This can be mitigated by covering the unit during long periods of inactivity.
The unit emits a bad odor	The unit may absorb odors from the environment (such as furniture, cooking, cigarettes, etc.) which will be emitted during operations.
	The unit's filters have become moldy and should be cleaned.
The fan of the outdoor unit does not operate	During operation, the fan speed is controlled to optimize product operation.
Operation is erratic, unpredictable, or unit is unresponsive	Interference from cell phone towers and remote boosters may cause the unit to malfunction. In this case, try the following: <ul style="list-style-type: none"> • Disconnect the power, then reconnect. • Press ON/OFF button on remote control to restart operation.

NOTE: If problem persists, contact a local dealer or your nearest customer service center. Provide them with a detailed description of the unit malfunction as well as your model number.

When troubles occur, please check the following points before contacting a repair company.

Problem	Possible causes	Solution
Poor cooling performance	Temperature setting may be higher than ambient room temperature	Lower the temperature setting
	The heat exchanger on the indoor or outdoor unit is dirty	Clean the affected heat exchanger
	The air filter is dirty	Remove the filter and clean it according to instructions
	The air inlet or outlet of either unit is blocked	Turn the unit off, remove the obstruction and turn it back on
	Doors and windows are open	Make sure that all doors and windows are closed while operating the unit
	Excessive heat is generated by sunlight	Close windows and curtains during periods of high heat or bright sunshine
	Too many sources of heat in the room (people, computers, electronics, etc.)	Reduce amount of heat sources
	Low refrigerant due to leak or long-term use	Check for leaks, re-seal if necessary and top off refrigerant

Problem	Possible causes	Solution
The unit is not working	Power failure	Wait for the power to be restored
	The power is turned off	Turn on the power
	The fuse is burned out	Replace the fuse
	Remote control batteries are dead	Replace batteries
	The Unit's 3-minute protection has been activated	Wait three minutes after restarting the unit
	Timer is activated	Turn timer off
Poor heating performance	The outdoor temperature is extremely low	Use auxiliary heating device
	Cold air is entering through doors and windows	Make sure that all doors and windows are closed during use
	Low refrigerant due to leak or long-term use	Check for leaks, re-seal if necessary and top off refrigerant
Indicator lamps continue flashing	<p>The unit may stop operation or continue to run safely. If the indicator lamps continue to flash or error codes appear, wait for about 10 minutes. The problem may resolve itself.</p> <p>If not, disconnect the power, then connect it again. Turn the unit on.</p> <p>If the problem persists, disconnect the power and contact your nearest customer service center.</p>	
Error code appears in the window display of indoor unit: <ul style="list-style-type: none"> • E0, E1, E2... • P1, P2, P3... • F1, F2, F3... 		

NOTE: If your problem persists after performing the checks and diagnostics above, turn off your unit immediately and contact an authorized service center.

XI. TECHNICAL DATA

	HAC-CR09WHN HAC-09CRKIT	HAC-CR12WHN HAC-12CRKIT/HAC-CR12WIFI	HAC-CR18WIFI	HAC-CR24WIFI
Power	100-1240 W	130-1580 W	140-2360 W	160-2960 W
Voltage	220-240V, 50Hz	220-240V, 50Hz	220-240V, 50Hz	220-240V, 50Hz
Cooling	9000 BTU	12000 BTU	18000 BTU	24000 BTU
Noise level	53/61dB	53/65dB	55/61dB	59/67dB
Color	White	White	White	White



Environment friendly disposal

You can help protect the environment!

Please remember to respect the local regulations: hand in the non-working electrical equipment's to an appropriate waste disposal center.



HEINNER is a registered trademark of **Network One Distribution SRL**. Other brands and product names are trademarks or registered trademarks of their respective holders.

No part of the specifications may be reproduced in any form or by any means or used to make any derivative such as translation, transformation, or adaptation without permission from NETWORK ONE DISTRIBUTION.

Copyright © 2013 Network One Distribution. All rights reserved.

www.heinner.com, <http://www.nod.ro>
<http://www.heinner.com>, <http://www.nod.ro>



This product is in conformity with norms and standards of European Community

Importer: **Network One Distribution**
 Marcel Iancu Street, no 3-5, Bucharest, Romania
 Tel: +40 21 211 18 56, www.heinner.com , www.nod.ro

HEINNER

APARAT DE AER CONDITIONAT

Model: HAC-CR09WHN / HAC-09CRKIT

HAC-CR12WHN /

HAC-12CRKIT / HAC-CR12WIFI

HAC-CR18WHN/ HAC-CR18WIFI

HAC-CR24WHN / HAC-CR24WIFI



- Aparat de aer conditionat
- Capacitate: 9000 / 12000 / 18000 / 24000 BTU
- Culoare: alb

Vă mulțumim pentru alegerea acestui produs!

I. INTRODUCERE

Înainte de a utiliza acest aparat, citiți cu atenție manualul de instrucțiuni și păstrați-l pentru consultări ulterioare.

Acest manual este conceput pentru a vă oferi toate instrucțiunile necesare referitoare la instalarea, utilizarea și întreținerea aparatului. Pentru utilizarea corectă și în siguranță a aparatului, vă rugăm să citiți cu atenție acest manual de instrucțiuni, înainte de instalare și utilizare.

II. CONȚINUTUL PACHETULUI



- **Aparatul de aer conditionat**
- **Manualul utilizatorului**
- **Certificatul de garantie**
- **Manual de utilizare al telecomenzii**
- **Kit instalare (HAC-09CRKIT, HAC-12CRKIT)**
- **Kit WIFI (HAC-CR12WIFI, HAC-CR18WIFI, HAC-CR24WIFI)**

III. MASURI DE SIGURANTA



Atentie: Risc de incendiu / materiale inflamabile

AVERTISMENT: Lucrarile de intretinere se vor efectua numai conform recomandarilor producatorului echipamentului. Intretinerea si reparatia care necesita asistenta unui alt personal calificat se efectueaza sub supravegherea persoanei competente in utilizarea agentilor frigorifici inflamabili. Pentru mai multe detalii, consultati sectiunea Informatii privind asistenta tehnica in MANUALUL DE INSTALARE.

Instalarea incorectă datorată nerespectării acestor instrucțiuni poate provoca daune sau vătămări grave.

Gravitatea potenț ialelor daune sau vătămări este clasificată drept **AVERTISMENT** sau **ATENȚIE**.



AVERTISMENT Acest simbol indică faptul că nerespectarea instrucțiunilor poate provoca deces sau vătămare corporală gravă.



ATENȚIE Acest simbol indică faptul că nerespectarea instrucțiunilor poate provoca vătămări corporale moderate pentru utilizator, sau daune pentru aparatul dvs. sau alte bunuri.

AVERTISMENT

Acest aparat electrocasnic poate fi folosit de copii cu vârsta mai mare de 8 ani și de persoane cu capacități fizice, senzoriale sau mentale reduse, sau neexperimentate, sub supraveghere sau instruire legată de utilizarea aparatului în condiții de siguranță și cu înțelegerea pericolelor implicate. Nu lăsați copiii să se joace cu acest aparat. Curățarea și întreținerea pot fi realizate de copii doar sub supraveghere.

AVERTISMENTE LEGATE DE INSTALARE

- Solicitați unui vânzător autorizat să instaleze acest aparat de aer condiționat. Instalarea necorespunzătoare poate provoca scurgeri, electrocutare sau incendiu.
- Toate lucrările de reparații, întreținere și relocare trebuie executate de un tehnician de service autorizat. Reparațiile necorespunzătoare pot conduce la vătămări corporale grave sau la avarierea produsului.

AVERTISMENTE LEGATE DE UTILIZARE

- În cazul unor situații anormale (de ex. miros de ars), opriți imediat aparatul și deconectați-l de la priză. Contactați vânzătorul pentru instrucțiuni legate de prevenirea electrocutărilor, incendiilor sau vătămărilor corporale.
- Nu introduceți degetele, bețe sau alte obiecte în gurile de admisie sau evacuare a aerului. Puteți suferi vătămări, deoarece ventilatorul se rotește la viteze mari.
- Nu folosiți spray-uri inflamabile ca de ex. fixativ de păr, lac sau vopsea în apropierea aparatului. Se poate produce un incendiu.
- Nu folosiți aparatul de aer condiționat în apropierea gazelor combustibile. Vaporii se pot acumula în jurul aparatului și pot provoca o explozie.
- Nu folosiți aparatul de aer condiționat într-o încăpere umedă (de ex. baie sau spălătorie). Se pot produce electrocutări și avarii ale produsului.
- Nu expuneți corpul direct la aer rece perioade lungi de timp.

AVERTISMENTE ELECTRICE






Folosiți doar cablul de alimentare specificat. Dacă acesta este deteriorat, el trebuie înlocuit de producător sau de un tehnician de service autorizat.

Păstrați ștecărul curată. Îndepărtați praful sau murdăria care se acumulează pe sau în jurul ștecărului. Ștecărele murdare pot provoca incendii sau electrocutare.

Nu deconectați aparatul de la priză trăgând de cablu. Țineți bine ștecărul și scoateți-l din priză. Dacă trageți direct de cablu acesta se poate deteriora, provocând incendii sau electrocutare.

Nu folosiți cablu prelungitor, nu prelungiți manual cablul de alimentare și nu conectați alte aparate electrocasnice la aceeași priză. Conexiunile electrice necorespunzătoare, izolația necorespunzătoare și tensiunea insuficientă pot provoca incendii.

Explicarea simbolurilor afisate pe unitatea de interior sau pe unitatea de exterior:

	AVERTISMENT	Acest simbol arata ca acest aparat a folosit un agent frigorific inflamabil. Daca agentul frigorific se scurge si este expus la o sursa de aprindere externa, exista riscul de incendiu.
	PRECAUTIE	Acest simbol arata ca manualul de operare trebuie citit cu atentie.
	PRECAUTIE	Acest simbol arata ca personalul calificat trebuie sa se ocupe de acest echipament cu referire la manualul de instalare.
	PRECAUTIE	
	PRECAUTIE	Acest simbol arata ca sunt disponibile informatii, cum ar fi manualul de operare sau manualul de instalare.

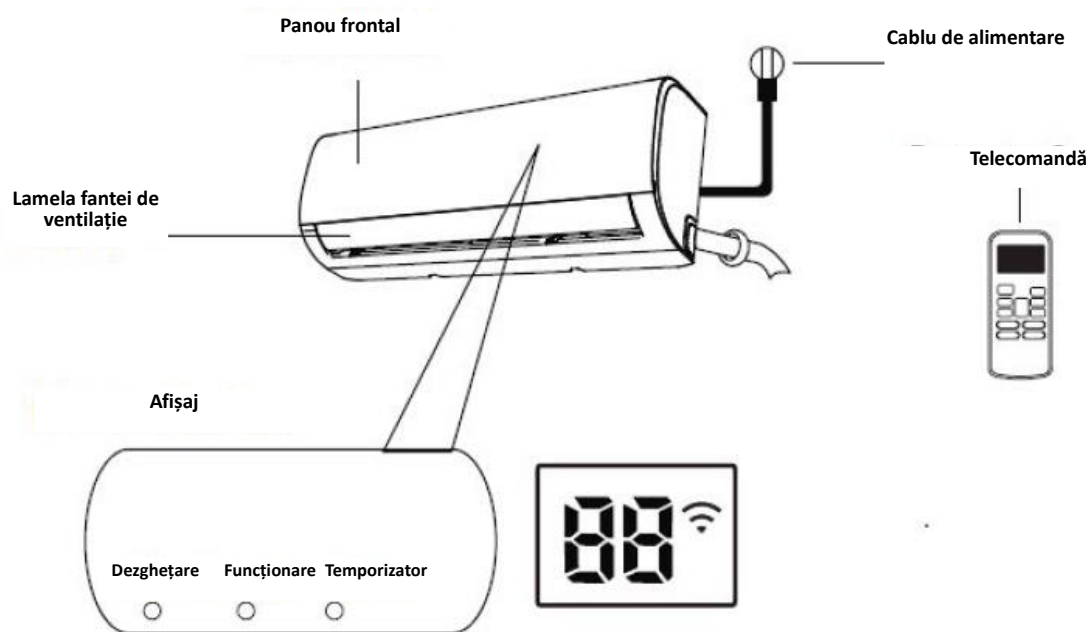
IV. AVERTISMENTE LEGATE DE CURATENIE SI INTRETINERE

- Opriți aparatul și deconectați cablul de la priză înainte de curățare. În caz contrar puteți provoca o electrocutare.
- Nu curățați aparatul de aer condiționat cu cantități excesive de apă.
- Nu curățați aparatul de aer condiționat cu agenți de curățare inflamabili. Agenții de curățare inflamabili pot provoca incendii sau deformări.

ATENȚIE

- Dacă aparatul de aer condiționat este utilizat împreună cu arzătoare sau alte dispozitive de încălzire, ventilați bine încăperea pentru a evita deficiența de oxigen.
- Opriți aparatul de aer condiționat și deconectați-l de la priză dacă urmează să rămână nefolosit o lungă perioadă de timp.
- Opriți aparatul de aer condiționat și deconectați-l de la priză în timpul furtunilor.
- Asigurați-vă că apa condensată se poate scurge din aparat fără obstrucții.
- Nu operați aparatul de aer condiționat cu mâinile ude. Puteți suferi electrocutări.
- Nu folosiți dispozitivul în alte scopuri cu excepția celui preconizat.
- Nu vă urcați și nu depozitați obiecte pe unitatea exterioară.
- Nu lăsați aparatul de aer condiționat să funcționeze perioade îndelungate cu geamurile sau ușile deschise, sau în condiții de umiditate ridicată.

V. CARACTERISTICILE APARATULUI



Dezghețare - atunci când funcția de dezghețare este activată.

Funcționare - atunci când aparatul este pornit.

Temporizator – atunci când temporizatorul este pornit.

📶 - atunci când controlul WIFI este activat (disponibil doar la unele modele)

“88” se aprind treptat unul câte unul

C-0 – temperatura setată – E - în intervale de o secundă

În alte moduri, aparatul va afișa temperatura setată de dvs. În modul Fan, aparatul va afișa temperatura camerei.

În cazul unei erori se va afișa codul de eroare.

“ON” pentru 3 secunde când:

- Funcția **TIMER** este pornită
- Funcțiile **SWING**, **TURBO**, sau **SILENCE** sunt pornite

“OF” timp de 3 secunde când:

- Funcția **TIMER** este oprită
- Funcțiile **SWING**, **TURBO**, sau **SILENCE** sunt oprite

„cF” când funcția anti-aer rece este pornită

“dF” la dezghețare

“SC” atunci când aparatul activează auto-curățarea

“FP” atunci când protecția la îngheț (Mentineră temperatura la 8° C) este pornită

VI. OBTINEREA PERFORMANȚEI OPTIME

Performanța optimă pentru modurile COOL, HEAT, și DRY poate fi obținută în următoarele intervale de temperaturi. Atunci când aparatul de aer condiționat este utilizat în afara acestor intervale, se vor activa diverse funcții de protecție și vor face ca aparatul să funcționeze la performanțe mai reduse.

Tip inverter split

Modul COOL	Model HEAT	Modul DRY	
Temperatura camerei	17°C - 32°C (63°F - 90°F)	0°C - 30°C (32°F - 86°F)	10°C - 32°C (50°F - 90°F)
Temperatura exterioara	0°C - 50°C (32°F - 122°F)	-15°C - 30°C (5°F - 86°F)	0°C - 50°C (32°F - 122°F)
	-15°C - 50°C (5°F - 122°F) (Pentru modelele cu sisteme de racire la temp coborate.)		
	0°C - 60°C (32°F - 140°F) (Pentru modelele tropicale speciale)		0°C - 60°C (32°F - 140°F) (Pentru modelele tropicale speciale)

PENTRU UNITĂȚI DE EXTERIOR CU ÎNCĂLZITOR ELECTRIC AUXILIAR

Atunci când temperatura la exterior este sub 0°C (32°F), recomandăm să se păstreze aparatul conectat în permanență la priza electrică pentru a asigura o performanță continuă corespunzătoare

	Modul COOL	Modul HEAT	Modul DRY
Temperatura camerei	17°-32°C (63°-90°F)	0°-30°C (32°-86°F)	10°-32°C (50°-90°F)
Temperatura exterioara	18°-43°C (64°-109°F)	-7°-24°C (19°-75°F)	11°-43°C (52°-109°F)
	-7°-43°C (19°-109°F) (Pentru modelele cu sisteme de racire la temp coborate)		18°-43°C (64°-109°F)
	18°-54°C (64°-129°F) (Pentru modelele tropicale speciale)		18°-54°C (64°-129°F) (Pentru modelele tropicale speciale)

Pentru o mai bună optimizare a performanței aparatului, procedați astfel:

- Țineți ușile și ferestrele închise.
- Limitați consumul de energie cu ajutorul funcțiilor de temporizare.
- Nu blocați gurile de admisie sau evacuare a aerului.
- Inspectați și curățați filtrele periodic.

Alte funcții

- **Auto-repornire**

Dacă alimentarea electrică este întreruptă, aparatul va reporni automat cu setările anterioare după reluarea alimentării.

- **Funcția Follow me**

Telecomanda va afișa pe display temperatura în funcție de locul în care se afla. Aceasta va trimite acest semnal către aparatul de aer condiționat la intervale de 3 minute până când va fi apăsat din nou butonul Follow Me. Aparatul de aer condiționat va emite un semnal sonor scurt pentru a indica faptul că programul Follow Me s-a încheiat dacă nu mai primește semnalul pentru un interval de 7 minute.

- **Self clean / Auto-curățare**

Activează / Dezactivează funcția de auto-curățare. După rularea în modul de răcire sau uscare, în cazul în care utilizatorul apasă butonul "Self Clean" de pe telecomandă, inițial unitatea interioară funcționează doar ca ventilator, pentru o perioadă de timp scăzută pe încălzire și, în final, funcționează din nou numai în ventilator. Această funcție poate păstra interiorul unității interioare uscată și poate preveni producerea mușgaiului.

- **Memoria unghiului grilei de protecție**

La pornirea aparatului, grila se va poziționa automat la unghiul folosit anterior.

- **Detecția scurgerilor agentului de răcire**

Unitatea de interior va afișa automat „EC”

Indicatorul „timer” se stinge și indicatorul „run” se aprinde intermitent de 7 ori atunci când aparatul detectează o scurgere a agentului de răcire.

Detalii referitoare la alte funcții (precum Turbo, Silence și menținere temperatura 8°) pot fi găsite în manualul telecomenzii.

VII. CONFIGURAREA UNGHIULUI FLUXULUI DE AER

Configurarea unghiului vertical al fluxului de aer

Atunci când aparatul este pornit, folosiți butonul SWING/DIRECT pentru a configura direcția (unghiul vertical) fluxului de aer.

1. Apăsați butonul SWING/DIRECT o dată pentru a activa grila de protecție. De fiecare dată când apăsați acest buton grila își va modifica poziția cu 6°. Apăsați butonul până obțineți poziția dorită.
2. Pentru a face grila să se balanseze continuu, țineți butonul SWING/ DIRECT apăsat timp de 3 secunde. Apăsați-l din nou pentru a opri funcția automată.

Configurarea unghiului orizontal al fluxului de aer

Unghiul orizontal al fluxului de aer trebuie configurat manual. Apucați tija deflectorului (a se vedea Fig. B) și reglați-o manual în direcția dorită. Pentru anumite aparate, unghiul orizontal al fluxului de aer poate fi configurat cu ajutorul telecomenzii. A se vedea manualul telecomenzii.

NOTĂ PRIVIND UNGHIUL GRILEI DE PROTECȚIE

Când se utilizează modul COOL sau DRY, nu setați grila în poziție verticală pentru perioade îndelungate de timp. În caz contrar apa se va condensa pe lama grilei și va curge pe podea sau pe mobilă. (a se vedea Fig. A)

Când se utilizează modul COOL sau HEAT, dacă setați grila în poziție verticală performanța aparatului se poate reduce datorită obstrucționării fluxului de aer.

Nu mișcați grila cu mâna. În caz contrar grila se va desincroniza. În acest caz, opriți aparatul și deconectați-l de la priză câteva secunde, apoi reporniți-l. Astfel grila se va reseta.

Atenție: Nu țineți grila în poziție verticală pentru perioade îndelungate de timp. În caz contrar apa condensată se poate scurge pe mobilă.

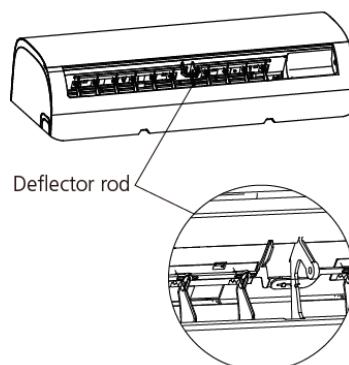
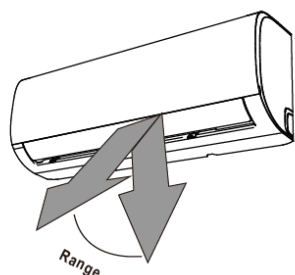


Fig. B

Nu introduceți sau nu apropiați degetele de suflantă și de partea de admisie a aparatului. Ventilatorul de mare viteză din interiorul aparatului poate provoca vătămări corporale.

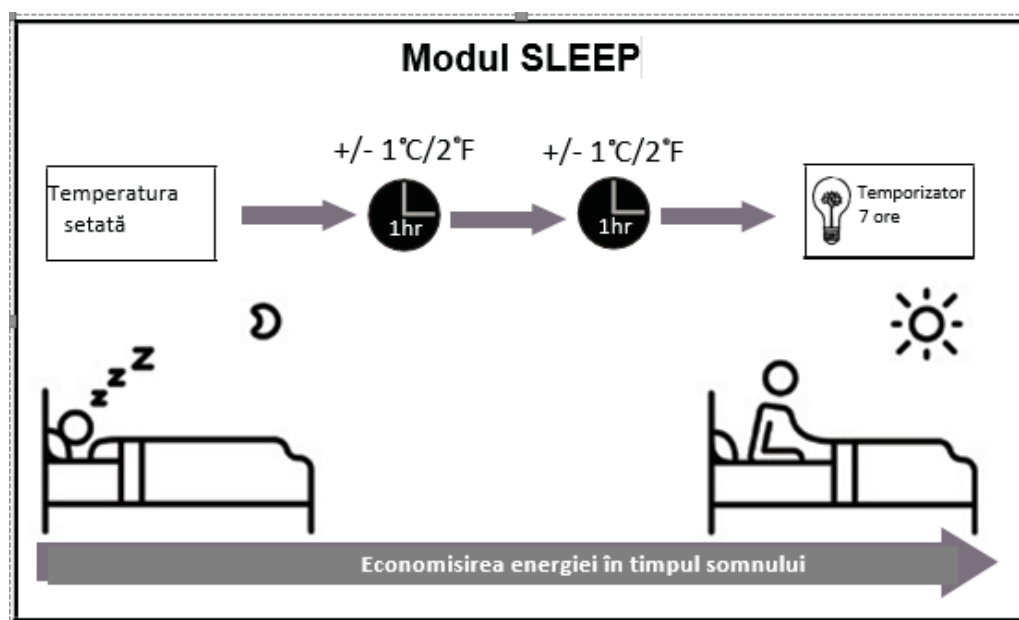
Modul SLEEP

Funcția SLEEP este folosită pentru a reduce consumul de energie în timp de dvs. dormiți (și nu aveți nevoie de aceeași temperatură pentru confort). Această funcție poate fi activată doar cu ajutorul telecomenzii.

Apăsați butonul SLEEP atunci când sunteți gata de culcare. În modul COOL, aparatul va crește temperatura cu 1°C (2°F) după 1 oră, și cu încă 1°C (2°F) după încă o oră. În modul HEAT, aparatul va reduce temperatura cu 1°C (2°F) după 1 oră, și cu încă 1°C (2°F) după încă o oră.

Această temperatură va fi menținută timp de 5 ore, și apoi aparatul se va opri automat.

Notă: funcția SLEEP nu este disponibilă în modul FAN sau DRY



VIII. OPERARE MANUALA (FARA TELECOMANDA)

Cum se operează aparatul fără telecomandă

Dacă telecomanda nu funcționează, aparatul poate fi operat manual cu ajutorul butonului MANUAL CONTROL de pe unitatea de interior. Rețineți că operarea manuală nu reprezintă o soluție pe termen lung, și că se recomandă operarea aparatului cu ajutorul telecomenzii.

ÎNAINTE DE OPERAREA MANUALĂ

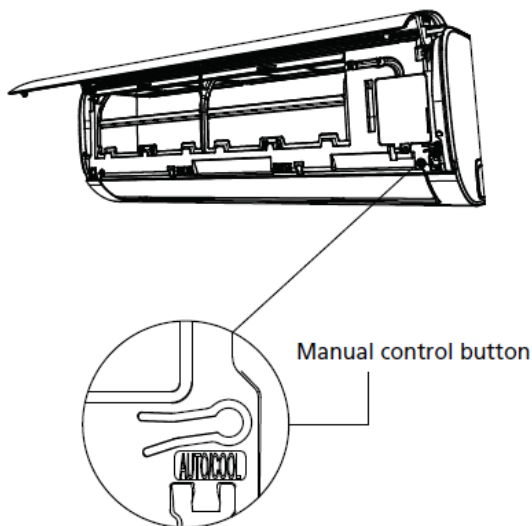
Înainte de operarea manuală aparatul trebuie oprit.

Pentru operare manuală:

1. Deschideți panoul frontal al unității interioare.
2. Căutați butonul MANUAL CONTROL din partea dreaptă a unității.
3. Apăsați butonul MANUAL CONTROL o dată pentru a activa modul FORCED AUTO.
4. Apăsați din nou butonul MANUAL CONTROL pentru a activa modul FORCED COOLING.
5. Apăsați butonul MANUAL CONTROL a trei oară pentru a opri aparatul.
6. Închideți panoul frontal.

ATENȚIE

Butonul manual este destinat doar testării și operării în condiții de urgență. Nu folosiți această funcție decât dacă ați pierdut telecomanda și este absolut necesar. Pentru a reveni la operarea normală, folosiți telecomanda pentru pornirea aparatului.



IX. ÎNGRIJIRE SI ÎNTREȚINERE

Curățarea unității de interior

ÎNAINTE DE CURĂȚARE SAU ÎNTREȚINERE

ÎNTOTDEAUNA OPRIȚI SISTEMUL DE AER CONDIȚIONAT ȘI DECONECTAȚI-L DE LA ALIMENTAREA ELECTRICĂ ÎNAINTE DE CURĂȚARE SAU ÎNTREȚINERE.

ATENȚIE

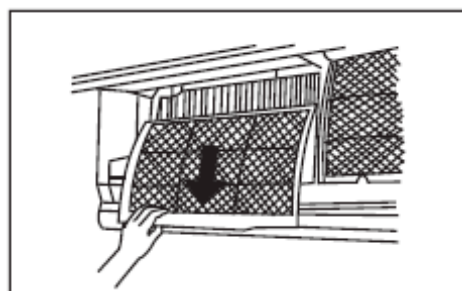
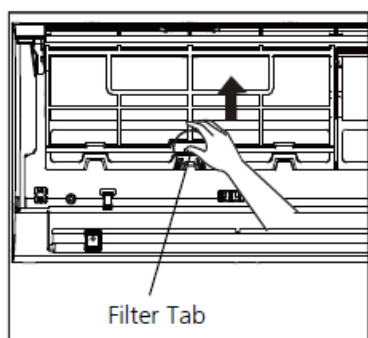
Pentru curățare folosiți doar o cârpă moale, uscată. Dacă aparatul este deosebit de murdar, puteți folosi o cârpă înmuiată în apă caldă.

- Nu folosiți substanțe chimice sau cârpe tratate cu substanțe chimice
- Nu folosiți benzen, decapant, pulbere de șlefuire sau alți solvenți. Acestea pot ataca sau deforma suprafața de plastic.
- Nu folosiți apă la peste 40°C (104°F) pentru curățarea panoului frontal. În caz contrar panoul se poate deforma sau decolora

Curățarea filtrului de aer

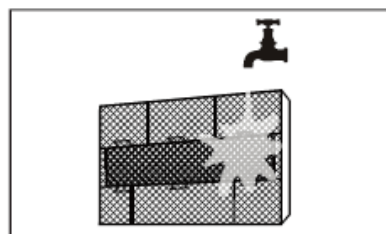
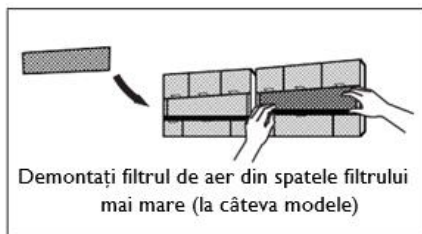
Un aparat de aer condiționat înfundat poate reduce eficiența de răcire și poate dăuna sănătății dvs. Filtrul trebuie curățat la fiecare două săptămâni.

1. Ridicați panoul frontal al unității interioare.
2. Mai întâi pe clapeta de la capătul filtrului pentru a slăbi încuietoearea, ridicați-o, și apoi trageți-o spre dvs.
3. Acum scoateți filtrul afară.
4. Dacă filtrul este prevăzut cu un filtru de aer mai mic, demontați-l de pe filtrul mai mare. Curățați acest filtru de aer cu un aspirator de mână.
5. Curățați filtrul mai mare cu soluție de apă caldă și săpun. Folosiți un detergent neagresiv.
6. Clătiți filtrul cu apă, apoi scuturați apa în exces.
7. Uscați-l într-un loc uscat și întunecat, și nu îl expuneți la acțiunea directă a razelor solare.
8. După uscare, fixați la loc filtrul de aer pe filtrul mai mare, și instalați-l în unitatea de interior.
9. Închideți panoul frontal al unității interioare.



ATENȚIE

Nu atingeți filtrul de aer (plasma) mai devreme de 10 minute după oprirea aparatului.
Doar pentru unitatile cu filtru de aer plasma.

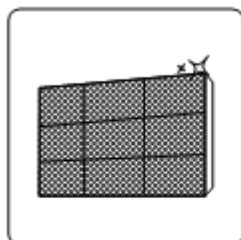


ATENȚIE

- Înainte de schimbarea sau curățarea filtrului, opriți aparatul și deconectați-l de la alimentarea electrică.
- La demontarea filtrului, nu atingeți componentele metalice ale aparatului. Muchiile ascuțite sunt tăioase.
- Nu folosiți apă pentru curățarea interiorului aparatului. În caz contrar puteți distruge izolația și există pericolul de electrocutare.
- Pentru uscare nu expuneți filtrul la acțiunea directă a razelor solare. Filtrul se poate contracta.

INTREȚINERE – Perioade lungi de neutilizare

Dacă aparatul de aer condiționat urmează să rămână nefolosit o perioadă mai mare de timp, procedați astfel:



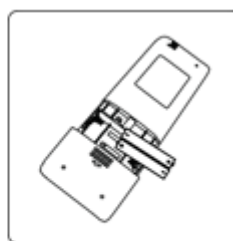
Curățați toate filtrele



Porniți funcția FAN până când aparatul este complet uscat



Opriți aparatul și deconectați-l de la sursa de alimentare



Scoateți bateriile din telecomandă

ATENȚIE

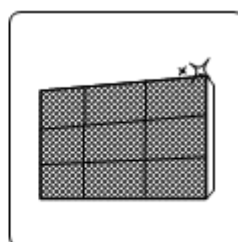
- Toate lucrările de întreținere și curățare pentru unitatea exterioară trebuie executate de un reprezentant autorizat sau un furnizor de service calificat.
- Toate lucrările de reparație trebuie executate de un reprezentant autorizat sau un furnizor de service calificat.

INTRETINERE – Inspectie pre-sezon

După o perioadă îndelungată de neutilizare, sau înainte de perioadele de utilizare frecventă, procedați astfel:



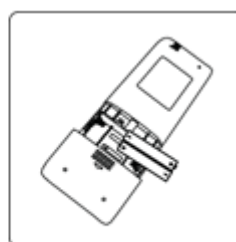
Inspectați cablurile deteriorate



Curățați toate filtrele



Verificați eventualele scurgeri



Înlocuiți bateriile



Asigurați-vă că gurile de admisie și evacuare a aerului nu sunt obstrucționate

X. REPARATII

MĂSURI DE SIGURANȚĂ

În cazul apariției uneia dintre următoarele situații, opriți imediat aparatul!

- Cablul de alimentare este deteriorat sau anormal de cald
- Miros de ars
- Aparatul emite zgomote puternice sau neobișnuite
- O siguranță sau un disjunctoare este declanșat frecvent
- Apă sau alte obiecte cad în sau pe aparat

NU ÎNCERCAȚI SĂ REMEDIAȚI SITUAȚIA! CONTACTAȚI IMEDIAT UN FURNIZOR DE SERVICE CALIFICAT!

Probleme comune

Următoarele probleme nu reprezintă defecțiuni și în majoritatea cazurilor nu necesită reparații.

Problema	Cauze posibile
Aparatul nu pornește la apăsarea butonului ON/OFF	Aparatul este prevăzut cu o funcție de protecție de 3 minute care previne suprasarcina aparatului. Aparatul nu poate fi repornit într-un interval de trei minute de la oprire.
Aparatul trece din modul COOL/HEAT în modul FAN	Aparatul își poate modifica setările pentru a preveni formarea gheții. Odată ce temperatura crește, aparatul va reîncepe să opereze în modul setat anterior. Temperatura setată este atinsă, punct în care aparatul oprește compresorul. Aparatul va reîncepe operarea atunci când temperatura variază din nou.
Unitatea interioară emană o ceață albă	În zonele cu umiditate ridicată, o diferență mare de temperatură între aerul din cameră și aerul condiționat poate genera o ceață albă.
Ambele unități, și cea de interior și cea de exterior, emană o ceață albă	Când aparatul repornește în modul HEAT după dezghețare, se va emana o ceață albă datorită umidității generate de procesul de dezghețare.

Unitatea de interior emite zgomote	Se poate genera un zgomot de curent de aer atunci când grila de protecție își resetează poziția.
	Se poate genera un zgomot ascuțit după funcționarea aparatului în modul HEAT datorită dilatării și contractării componentelor din plastic.
Și unitatea de interior și cea de exterior emit zgomote	Un ușor zgomot șuierat în timpul funcționării: Acesta este normal și este provocat de agentul de răcire gazos care circulă prin unitatea de interior și cea de exterior.
	Un ușor zgomot șuierat la pornirea, oprirea sau dezghețarea sistemului: Acesta este normal și este provocat de agentul de răcire gazos care se oprește sau își schimbă direcția
	Zgomot ascuțit: Dilatarea și contractarea normale a componentelor din plastic și metal, provocate de schimbările de temperatură în timpul funcționării, pot genera zgomote ascuțite.
Unitatea de exterior emite zgomote	Aparatul va emite diverse zgomote în funcție de modul curent de operare.
Praful este emis și de unitatea de interior și de cea de exterior	Aparatul poate acumula praf în timpul perioadelor îndelungate de neutilizare, care va fi împrăștiat atunci când aparatul este pornit. Acest lucru poate fi evitat acoperind aparatul în perioadele îndelungate de neutilizare.
Aparatul emite mirosuri neplăcute	Aparatul poate absorbi mirosuri din mediu (de ex. mobilă, bucătărie, fumat, etc.) care vor fi eliberate în timpul funcționării
	Filtrele aparatului sunt murdare și trebuie curățate
Ventilatorul unității de exterior nu funcționează	În timpul operării, viteza ventilatorului este controlată pentru optimizarea performanței produsului.
Funcționarea este neuniformă, imprevizibilă sau aparatul nu răspunde la comenzi	Interferențele din partea turnurilor de telefonie mobilă și a amplificatoarelor de semnal pot provoca disfuncții ale aparatului. În acest caz, procedați astfel: <ul style="list-style-type: none"> • Deconectați și reconectați aparatul de la / la sursa electrică. • Apăsați butonul ON/OFF de pe telecomandă pentru a reseta aparatul.

NOTĂ: Dacă problema persistă, contactați reprezentantul local sau cel mai apropiat centru de asistență tehnică. Prezentați o descriere detaliată a problemei, și specificați numărul modelului.

La apariția problemelor, verificați următoarele aspecte înainte de a contacta un centru de reparații

Problema	Cauza posibila	Solutie
Performanta slaba la racire	Temperatura este setată la o valoare mai mare decât cea a temperaturii ambientale	Reduceți valoarea temperaturii setate
	Schimbătorul de căldură al unității de interior sau de exterior este murdar	Curățați schimbătorul de căldură respectiv
	Filtrul de aer este murdar	Demontați filtrul și curățați-l conform instrucțiunilor
	Gurile de admisie sau evacuare a aerului ale uneia dintre unități sunt blocate	Opriți aparatul, îndepărtați obstrucțiile și reporniți aparatul
	Ușile și ferestrele sunt deschise	Asigurați-vă că toate ușile și ferestrele sunt închise în timpul funcționării aparatului
	Lumina soarelui generează căldură excesivă	Închideți ferestrele și trageți perdelele în perioadele foarte călduroase sau foarte însorite
	Prea multe surse de căldură în încăpere (oameni, computere, aparatură electronică, etc.)	Reduceți numărul surselor de căldură
	Nivel redus al agentului de răcire datorită scurgerilor sau utilizării îndelungate	Verificați eventualele scurgeri, re-etanșați dacă este cazul și reumpleți aparatul cu agent de răcire

Problema	Cauze posibile	Solutie
Aparatul nu funcționează	Întreruperea alimentării electrice	Așteptați reluarea alimentării electrice
	Aparatul este oprit	Porniți aparatul
	Siguranța este arsă	Înlocuiți siguranța
	Bateriile telecomenzii sunt descărcate	Înlocuiți bateriile
	A fost activată protecția de 3 minute a aparatului	Așteptați trei minute înainte de repornirea aparatului
	Temporizatorul este activat	Dezactivați temporizatorul
Aparatul pornește și se oprește frecvent	În sistem există prea mult sau prea puțin agent de răcire	Verificați eventualele scurgeri și reumpleți aparatul cu agent de răcire .
	În sistem au pătruns gaze sau umiditate	Goliți și și reumpleți aparatul cu agent de răcire.
	Compresorul este defect	Înlocuiți compresorul
	Tensiunea este prea mare sau prea mică	Instalați un regulator de tensiune
Performanță slabă la încălzire	Temperatura exterioară este extrem de redusă	Folosiți dispozitive suplimentare de încălzire
	Aerul rece pătrunde prin uși și ferestre	Asigurați-vă că toate ușile și ferestrele sunt închise în timpul funcționării aparatului
	Nivel redus al agentului de răcire datorită scurgerilor sau utilizării	Verificați eventualele scurgeri, re-etanșați dacă este cazul și reumpleți aparatul cu agent de răcire
Lămpile indicatoare sunt aprinse intermitent	<p>Aparatul se poate opri din funcționare sau poate continua să funcționeze în condiții de siguranță. În cazul în care lămpile indicatoare continuă să se aprindă intermitent sau dacă apar coduri de eroare, așteptați circa 10 minute. Problema se poate rezolva de la sine.</p> <p>În caz contrar, deconectați și reconectați aparatul de la / la sursa de alimentare. Porniți aparatul.</p> <p>Dacă problema persistă, deconectați aparatul de la sursa de alimentare și contactați cel mai apropiat centru de asistență tehnică.</p>	
În fereastra de afișaj a unității de interior sunt afișate coduri de eroare:		
<ul style="list-style-type: none"> • E0, E1, E2... • P1, P2, P3... • F1, F2, F3... 		

NOTĂ : Dacă problema persistă după efectuarea verificărilor și diagnosticelor de mai sus, opriți imediat aparatul și contactați un centru de service autorizat.

XI. FISA TEHNICA

	HAC-CR09WHN HAC-09CRKIT	HAC-CR12WHN HAC-12CRKIT HAC-CR12WIFI	HAC-CR18WIFI	HAC-CR24WIFI
Putere	100-1240 W	130-1580 W	140-2360 W	160-2960 W
Alimentare	220-240V, 50Hz	220-240V, 50Hz	220-240V, 50Hz	220-240V, 50Hz
Capacitate racire	9000 BTU	12000 BTU	18000 BTU	24000 BTU
Nivel de zgomot	53/61dB	53/65dB	55/61dB	59/67dB
Culoare	Alb	Alb	Alb	Alb



MASURI PENTRU PROTECTIA MEDIULUI

Va informam ca persoanele fizice au urmatoarele obligatii prin legislatia specifica privind protectia mediului si regimul deseurilor:

- Deseurile de echipamente electrice si electronice (DEEE), pot contine substante periculoase pentru mediu si sanatatea umana. Conform OUG 5/2015, exista obligativitatea predarii acestora, pentru tratarea corespunzatoare si valorificarea componentelor reciclabile. Societatea Network One Distribution S.R.L. este platitoare de taxa de "timbru verde" pentru fiecare Echipament Electric si Electronic (EEE) pe care il pune pe piata. Acest cost asigura tratarea ulterioara a echipamentelor uzate colectate. Din acest motiv, odata ce devine deseou, produsul EEE poate fi predat gratuit operatorului Dvs. de salubritate, la magazine atunci cand achizitionati alt echipament similar, sistemul "unul la unu" sau la punctul de colectare organizat de Primaria Sectorului / localitatii Dvs.
- Simbolul (marcajul) aplicat produselor, care indica faptul ca deseurile DEEE, bateriile si acumulatorii - fac obiectul unei colectari separate, il reprezinta o pubea barata cu o cruce.



Aceste masuri vor ajuta la protejarea mediului

Societatea Network One Distribution S.R.L. este inregistrata in Registrul de punere pe piata a echipamentelor electrice si electronice, avand numarul de inregistrare: RO-2016-03-EEE-0201-IV. De asemenea, au fost intocmite si sunt gestionate: Registrul de Retragere EEE si Registrul de Rechemare EEE, in conformitate cu HG 322/2013. Totodata societatea este inregistrata in Registrul de punere pe piata a bateriilor, avand numarul de inregistrare: RO-2011-03-B&A-0283.

Conformitatea cu directiva RoHS: Produsul pe care l-ati cumparat este conform cu Directiva RoHS UE (2011/65/UE). Nu contine materialele daunatoare si interzise specificate in Directiva.

Va multumim ca participati alaturi de noi la protejarea mediului si a sanatatii umane!



HEINNER este marcă înregistrată a companiei **Network One Distribution SRL**. Celelalte branduri și denumirile produselor sunt mărci de comerț sau mărci de comerț înregistrate ale respectivilor deținători.

Nicio parte a specificațiilor nu poate fi reprodusă, sub nicio formă și prin niciun mijloc, nici utilizată pentru obținerea unor derivate precum traduceri, transformări sau adaptări, fără consimțământul prealabil al companiei NETWORK ONE DISTRIBUTION.

Copyright © 2013 Network One Distribution. Toate drepturile rezervate.

www.heinner.com, <http://www.nod.ro>

<http://www.heinner.com>, <http://www.nod.ro>



Acest produs este proiectat și realizat în conformitate cu standardele și normele Comunității Europene.

Importator: **Network One Distribution**

Str. Marcel Iancu, nr. 3-5, București, România

Tel: +40 21 211 18 56, www.heinner.com, www.nod.ro

HEINNER

КЛИМАТИК

Модел: HAC-CR09WHN / HAC-09CRKIT

HAC-CR12WHN /

HAC-12CRKIT / HAC-CR12WIFI

HAC-CR18WHN/ HAC-CR18WIFI

HAC-CR24WHN / HAC-CR24WIFI



- Климатик
- Капацитет: 9000 / 12000 / 18000 / 24000 BTU
- Цвят: бял

Благодарим Ви, че избрахте този продукт!

I. ВЪВЕДЕНИЕ

Преди да използвате този уред прочетете внимателно този наръчник с инструкции и пазете го за бъдещи справки.

Този наръчник е проектиран, за да Ви предостави всички необходими инструкции относно инсталирането, използването и поддържането на уреда. Преди инсталиране и използване на уреда, с цел правилна и безопасна употреба на уреда, Ви молим да прочетете внимателно този наръчник с инструкции.

II. СЪДЪРЖАНИЕ НА ВАШИЯ КОМПЛЕКТ



- Климатик
- Наръчник с инструкции
- Сертификат за гаранция
- Наръчник за дистанционното управление
- Инсталационен комплект (HAC-09CRKIT, HAC-12CRKIT)
- WIFI kit (HAC-CR12WIFI, HAC-CR18WIFI, HAC-CR24WIFI)

III. МЕРКИ ЗА БЕЗОПАСНОСТ



Внимание: Опасност от пожар / запалими материали

ПРЕДУПРЕЖДЕНИЕ: Работите по поддръжка ще се извършват само съгласно препоръките на производителя на оборудването. Поддръжката и ремонтите, изискващи съдействието на друг квалифициран персонал, се извършват само под наблюдение на лицето, което е компетентно за използването на запалими хладилни агенти. За повече подробности, консултирайте раздел Информация относно техническа помощ в РЪКОВОДСТВОТО ЗА ИНСТАЛАЦИЯ.

Несъответстващата инсталация поради неспазване на инструкциите може да доведе до щети или тежки наранявания. Предупрежденията относно важността на възможните щети или наранявания са обозначени с думите ПРЕДУПРЕЖДЕНИЕ или ВНИМАНИЕ.



WARNING

Този знак показва факта, че пренебрегването на инструкциите може да доведе до смърт или тежко нараняване.



CAUTION

Този знак показва факта, че пренебрегването на инструкциите може да доведе до умерено нараняване или повреждане на уреда или на други изделия.

ПРЕДУПРЕЖДЕНИЕ

Уредът може да се използва от деца на възраст най-малко 8 години и от лица с намалени физически, сетивни или умствени способности, или с липса на достатъчен опит и познания, само ако са под наблюдение или са получили указания във връзка с използването на уреда по безопасен начин и ако разбират опасностите, които могат да възникнат при използване на уреда. Децата нямат право да си играят с уреда. Почистването и поддръжката не трябва да се извършват от деца, които не са под наблюдение.

ПРЕДУПРЕЖДЕНИЯ ОТНОСНО ИНСТАЛИРАНЕТО

За инсталиране на този уред свържете се с оторизирана фирма. Несъответстващото инсталиране може да причини течове на вода, токов удар или пожар.

- Всички ремонти, поддръжката и преместването на този уред на друго място трябва да се извършват от квалифициран електротехник. Несъответстващите ремонти могат да доведат до тежки злополуки или до неадекватно функциониране на продукта.





ПРЕДУПРЕЖДЕНИЯ ОТНОСНО УПОТРЕБАТА НА ПРОДУКТА

- При поява на ненормална ситуация (като миризма на изгоряло), изключете веднага уреда и извадете щепсела от контакта. Свържете се с дистрибутора за инструкции по отношение на предотвратяването на токови удари, пожари и злополуки.
 - Не поставяйте пръстите си, лостове или други предмети в отворите за влизане или извеждане на въздуха. Това може да причини наранявания, защото вентилаторът може да се върти с висока скорост.
 - Не използвайте в близост до тялото запалими спрейове, като например лак за коса, бои или лакове. Това може да причини пожар.
 - Не използвайте климатика на места, където могат да се образуват запалими газове. Може да се образува акумулиране на тези газове около уреда и може да се предизвика експлозия.
- Не използвайте климатика в помещение с висока влажност като баня или сушилня. Това може да доведе до токов удар и може да предизвика увреждане на продукта.
- Не излагайте Вашето тяло на прекия студен въздушен поток за дълъг период от време.

ПРЕДУПРЕЖДЕНИЯ ОТНОСНО ЕЛЕКТРИЧЕСКИТЕ РИСКОВЕ

- Използвайте само препоръчания захранващ кабел. Ако захранващият кабел е повреден, тогава трябва да се подмени от производителя или от оторизиран сервизен център.
- Пазете щепсела чист. Отстранявайте праха и/или мръсотията, които се натрупват върху или около щепсела. Замърсените щепсели могат да доведат до пожар или токов удар.
- Не дърпайте за захранващия кабел, за да го изваждате от контакта. Хванете добре за щепсела и дръпнете го от контакта. Ако дърпате направо за кабела, тогава може да се повреди и това може да доведе до предизвикване на пожар или токов удар.
- Не използвайте удължители, не удължавайте захранващия кабел и не включвайте други уреди към контакта, където е включен климатика. Неправилните електрически връзки, несъответстващата изолация и/или електрическо напрежение могат да доведат до пожар.

Обяснение на символите, показани на вътрешното тяло или на външното тяло:

	ПРЕДУПРЕЖДЕНИЕ	Този символ показва, че този уред е използвал запалим хладилен агент. Ако хладилния агент изтича и е изложен на външен източник на запалване, съществува опасност от пожар.
	ПРЕДПАЗЛИВОСТ	Този символ показва, че ръководството за експлоатация трябва да се прочете внимателно.
	ПРЕДПАЗЛИВОСТ	Този символ показва, че квалифицирания персонал трябва да борави с това оборудване по отношение на ръководството за инсталация.
	ПРЕДПАЗЛИВОСТ	Този символ показва, че е налице информация, като ръководството за експлоатация или ръководството за инсталация.

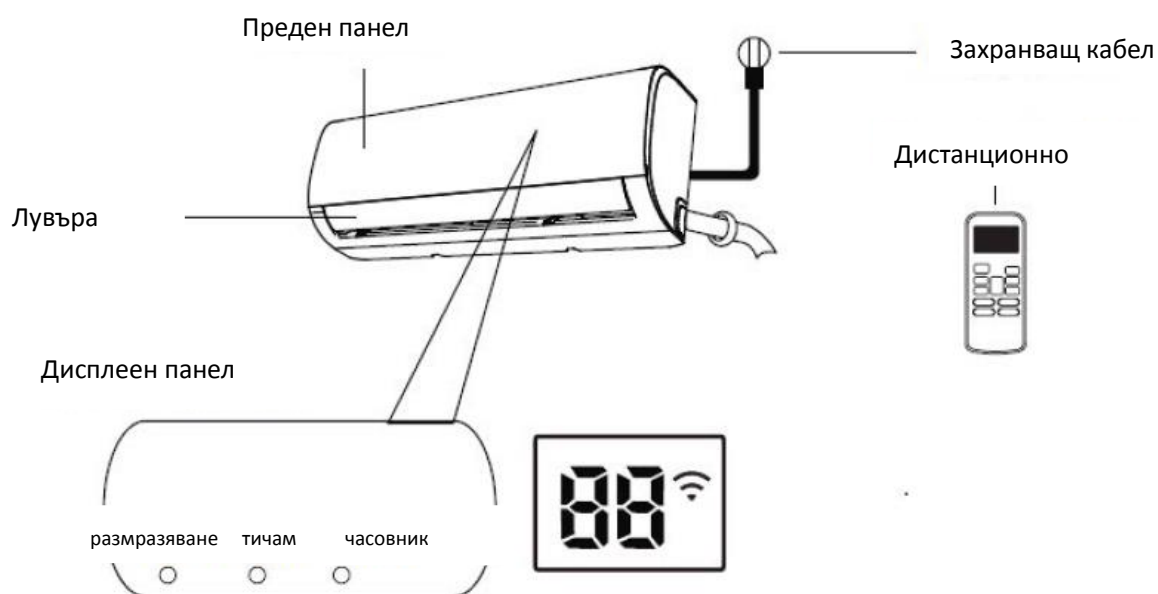
IV. ПРЕДУПРЕЖДЕНИЯ ОТНОСНО ПОЧИСТВАНЕТО И ПОДДРЪЖКАТА

- Преди почистване изключете уреда и извадете щепсела от контакта. В противен случай има риск от токов удар.
- Не използвайте големи количества вода за почистване на климатика.
- Не почиствайте климатика със запалими препарати за почистване. Запалимите препарати за почистване могат да предизвикат пожар или деформации.

ВНИМАНИЕ

- Ако климатикът се използва заедно с газови печки или други уреди за отопление, проветрявайте добре стаята, за да предотвратите недостига на кислород.
- Изключвайте климатика и изваждайте щепсела от контакта, ако няма да използвате уреда за по-дълъг период от време.
- Изключвайте климатика и изваждайте щепсела от контакта по време на буря.
- Уверете се, че кондензираната вода може да се изтича безпрепятствено от уреда.
- Не натискайте бутоните на климатика с влажни ръце. Опасност от токов удар!
- Не използвайте уреда за цел, различна от тази, за която е проектиран.
- Не се качвайте върху външното тяло и не поставяйте предмети върху него.
- Ако вратите или прозорците са отворени или ако има висока влажност, не оставяйте климатика да функционира за дълъг период от време.

V. ХАРАКТЕРИСТИКИ НА УРЕДА



Размразяване - когато е активирана функцията за размразяване

Функциониране - когато уредът е включен

Таймер - когато таймерът е активен

 - когато функцията за безжичен контрол е активирана (някои единици)

"88" светва последователно E

C-0 - настроената температура – E - в интервал от една секунда

В други режими на функциониране уредът ще показва настроената температура.

В режим FAN уредът ще показва температурата на стаята.

При грешка се изписва кода за грешка.

"ON" по време на 3 секунди, когато:

- е активирана функцията TIMER ON
- са активирани функциите SWING, TURBO или SILENCE

OF" по време на 3 секунди, когато:

- е активирана функцията TIMER OFF
- са дезактивирани функциите SWING, TURBO или SILENCE

"cF" – когато е активирана функцията за спиране проникването на студен въздух

"dF" – по време на операцията за размразяване

"SC" – по време на операцията за самопочистване

"FP" – когато е активирана функцията за защита от замръзване

VI. ПОЛУЧАВАНЕ НА ОПТИМАЛНИ ПОСТИЖЕНИЯ

Оптималните постижения за режимите COOL, HEAT и DRY могат да се получат в рамките на следните температурни интервали. Тогава, когато климатикът се използва извън тези интервали, ще се активират определени защитни функции, които ще принудят уреда да работи в по-малко оптимален режим.

АПАРАТИ ТИП СПЛИТ С ИНВЕРТОРНА ТЕХНОЛОГИЯ

Режим COOL	Режим HEAT	Режим DRY	
Температура на стаята	17°C - 32°C (63°F - 90°F)	0°C - 30°C (32°F - 86°F)	10°C - 32°C (50°F - 90°F)
Външна температура	0°C - 50°C (32°F - 122°F)	-15°C - 30°C (5°F - 86°F)	0°C - 50°C (32°F - 122°F)
	-15°C - 50°C (5°F - 122°F) (За моделите със системи за охлаждане при ниски температури.)		
	0°C - 60°C (32°F - 140°F) (За специални модели за тропически климат.)		0°C - 60°C (32°F - 140°F) За специални модели за тропически климат.

ЗА ВЪНШНИ УРЕДИ С ДОПЪЛНИТЕЛЕН ЕЛЕКТРИЧЕСКИ НАГРЕВАТЕЛ

Тогава, когато външната температура е под 0°C (32°F), Ви препоръчваме да поддържате уреда постоянно включен към източника за захранване с електроенергия с цел осигуряване на оптимални постижения за функциониране.

Уреди, оборудвани с компресор с фиксирана скорост

	Режим COOL	Режим HEAT	Режим DRY
Температура на стаята	17°-32°C (63°-90°F)	0°-30°C (32°-86°F)	10°-32°C (50°-90°F)
Външна температура	18°-43°C (64°-109°F)	-7°-24°C (19°-75°F)	11°-43°C (52°-109°F)
	-7°-43°C (19°-109°F) (За моделите със системи за охлаждане при ниски температури.)		18°-43°C (64°-109°F)
	18°-54°C (64°-129°F) (За специални модели за тропически климат.)		18°-54°C (64°-129°F) (За специални модели за тропически климат.)

С цел допълнителна оптимизация на постиженията на Вашия уред следвайте съветите по-долу:

- Дръжте затворени вратите и прозорците.
- Намалете разхода на електроенергия чрез използване на функциите TIMER ON и TIMER OFF.
- Не блокирайте отворите за влизане или извеждане на въздуха.
- Проверявайте и почиствайте периодично филтрите.

За подробно обяснение на всяка функция прочетете наръчника на дистанционното управление.

Други характеристики

- **Автоматично повторно включване**

Ако се прекъсне захранването с електроенергия, уредът ще се включи автоматично, като се запазват настройките, при възобновяване на захранването с електроенергия.

- **Функция против мухъл**

При изключване на уреда в един от режимите COOL, AUTO (COOL) или DRY, той ще продължава да функционира при много ниска мощност, отстранявайки водата, която се образува вследствие на конденза, и предотвратявайки образуването на мухъл.

- **Запаметяване на ъгъла на вентилационната пластина**

При включване на уреда вентилационната пластина ще се върне автоматично към предходно настроен ъгъл.

- **Откриване на изпускане на охлаждащ агент**

Вътрешното тяло ще показва автоматично "EC", светлинният индикатор, съответстващ за таймера изгасва, а индикаторът, съответстващ за функционирането, премигва 7 пъти, когато уредът открие изпускане на охлаждащ агент.

За подробни обяснения относно напредналите функции на Вашия уред (като режима TURBO Turbo, Тишина и поддържаща температура 8°), прочетете наръчника с инструкции на дистанционното управление.

VII. КОНТРОЛ НА ПОСОКАТА НА ВЪЗДУШНИЯ ПОТОК

Вертикално регулиране на въздушния поток

Докато уредът е включен, използвайте бутона **SWING/DIRECT**, за да регулирате посоката (вертикалния ъгъл) на въздушния поток.

1. Натиснете бутона **SWING/DIRECT** един път, за да активирате вентилационната пластина. При всяко натискане на бутона вентилационната пластина ще се премества с ъгъл от 6° . Натискайте бутона, докато се настрои желаната посока.
2. За да се върти постоянно по вертикала пластината на вентилационния отвор, натиснете и задръжте натиснат бутона **SWING/DIRECT** за 3 секунди. Натиснете отново бутона, за да деактивирате тази функция.

Хоризонтално регулиране на въздушния поток

Хоризонталното регулиране на въздушния поток трябва да се извършва ръчно. Задействайте ръчно лоста на дефлектора (виж Фиг. В) и регулирайте го ръчно в желаната посока.

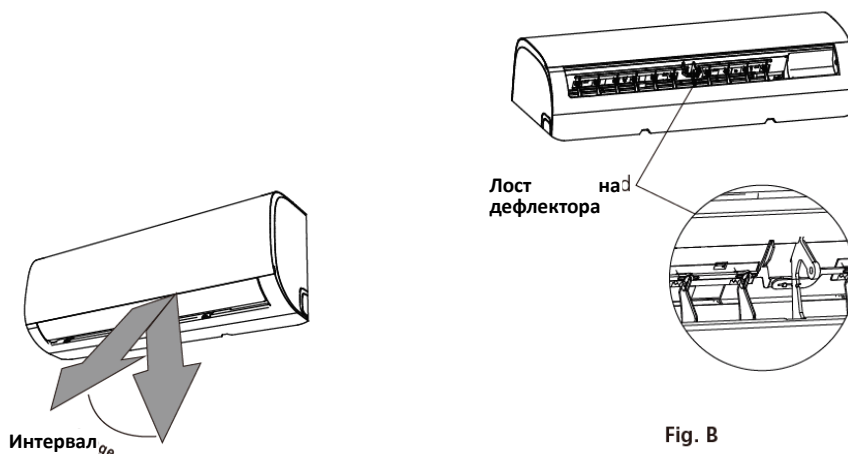
При някои уреди хоризонталният ъгъл на въздушния поток може да се регулира с помощта на дистанционното управление. Моля прочетете наръчника на дистанционното управление.

ЗАБЕЛЕЖКА ОТНОСНО ЪГЛИТЕ НА ВЕНТИЛАЦИОННАТА ПЛАСТИНА

Не използвайте климатика за дълъг период от време с ориентиран надолу въздушен поток в режими COOL или DRY. В противен случай може да се образува конденз върху пластината на вентилационния отвор и кондензираната вода може да започне да капи върху пода или мебелите. (виж Фиг. А)

Товага, когато уредът функционира в режими COOL или DRY, ориентирането надолу на въздушния поток може да намали производителността на уреда поради намален въздушен поток.

Не движете с ръка пластината на вентилационния отвор. Това ще доведе до десинхронизация на вентилационната пластина. В този случай изключете уреда и извадете щепсела от контакта за няколко секунди, а след това включете го отново. Тази операция ще занули настройката на позицията на вентилационната пластина.

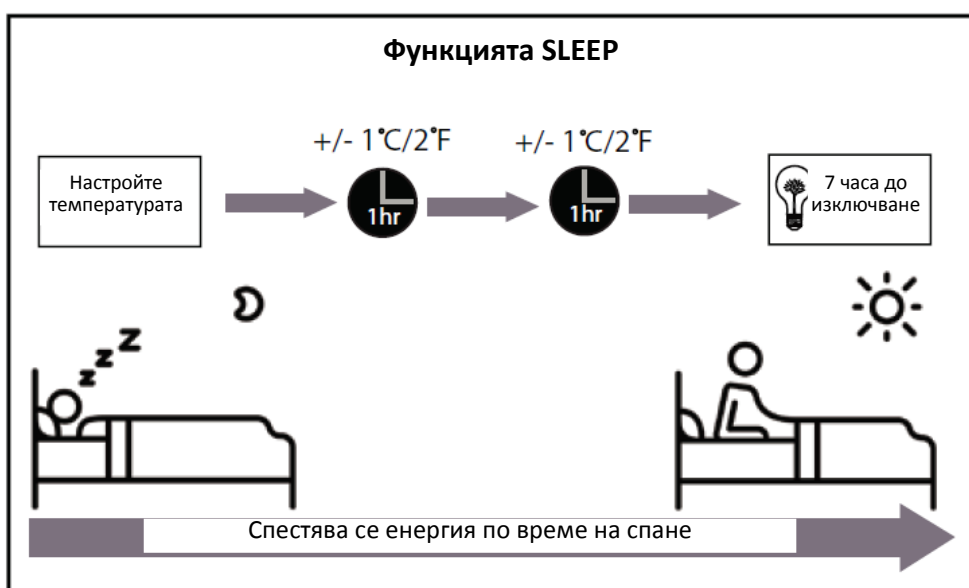


Не поставяйте пръстите си или предмети в отворите за влизане или извеждане на въздуха. Вътрешният вентилатор може да Ви нарани.

Функциониране в режим SLEEP

Функцията SLEEP се използва за намаляване на разхода на електроенергия докато спите (и нямате нужда от същите настройки на температурата, за да се чувствате комфортно). Тази функция може да се активира само с помощта на дистанционното управление. Натиснете бутона SLEEP тогава, когато отивате да спите. В режим COOL уредът ще увеличава температурата с 1°C (2°F) (след 1 час) и с още 1°C (2°F) след още 1 час. В режим HEAT уредът ще намалява температурата с 1°C (2°F) (след 1 час) и с още 1°C (2°F) след още 1 час. Температурата ще се поддържа за 5 часа, след което уредът ще се изключи автоматично.

Забележка: Функцията SLEEP не е достъпна в режим FAN или DRY.



VIII. РЪЧНО ЗАДЕЙСТВАНЕ (БЕЗ ДИСТАНЦИОННО УПРАВЛЕНИЕ)

Използване на уреда без дистанционно управление

Ако дистанционното управление не функционира, уредът може да се задейства ръчно с помощта на бутона за РЪЧНА КОМАНДА, намиращ се върху вътрешното тяло. Моля запомнете, че ръчното задействане не представлява дългосрочно решение и използването на дистанционно управление е най-препоръчаното решение.

ПРЕДИ РЪЧНОТО ЗАДЕЙСТВАНЕ

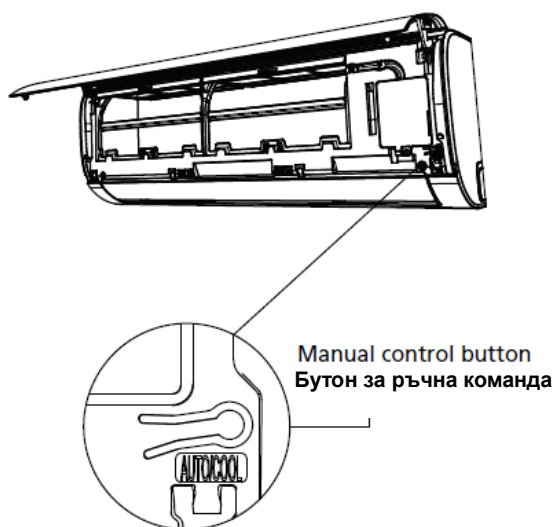
Преди ръчното задействане уредът трябва да се изключи.

За ръчно задействане на уреда:

1. Отворете предния панел на вътрешното тяло.
2. Намерете бутона за РЪЧНА КОМАНДА в дясната страна на вътрешното тяло.
3. За да активирате принудителното функциониране в режим AUTO, натиснете един път бутона за РЪЧНА КОМАНДА.
4. За да активирате принудителното функциониране в режим COOLING (охлаждане), натиснете отново бутона за РЪЧНА КОМАНДА.
5. За да изключите уреда, натиснете трети път бутона за РЪЧНА КОМАНДА.
6. Затворете предния панел.

ВНИМАНИЕ

Бутонът за ръчна команда се използва само за тестване или в случай на нефункциониране на дистанционното управление. Моля не използвайте тази функция, освен ако сте загубили дистанционното управление или ако е абсолютно необходимо. С цел връщане към нормалната употреба използвайте дистанционното управление, за да включите уреда.



IX. ПОЧИСТВАНЕ И ПОДДРЪЖКА

Почистване на вътрешното тяло ПРЕДИ ПОЧИСТВАНЕ ИЛИ ПОДДРЪЖКА

ВИНАГИ СПИРАЙТЕ КЛИМАТИКА И ИЗКЛЮЧВАЙТЕ ГО ОТ ИЗТОЧНИКА ЗА ЗАХРАНВАНЕ С ЕЛЕКТРОЕНЕРГИЯ ПРЕДИ ИЗВЪРШВАНЕ НА ОПЕРАЦИИ ЗА ПОЧИСТВАНЕ ИЛИ ПОДДРЪЖКА.

ВНИМАНИЕ

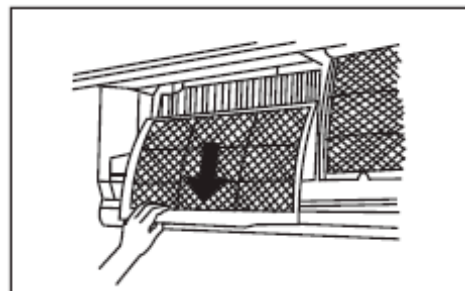
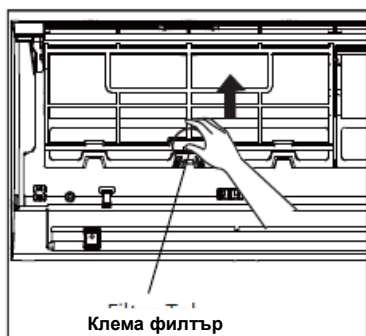
Избърсвайте уреда само с мека и суха кърпа. Ако уредът е много замърсен, избърсвайте го с кърпа, която е била потопена в топла вода.

- Не използвайте химични вещества или кърпи третирани с химични вещества, за да почистите уреда.
- Не използвайте бензин, разрежител, пудра за блясък или други подобни разтворители с цел почистване. Тези вещества могат да причинят напукване или деформация на пластмасовата повърхност.
- Не използвайте вода с температура по-висока от 40°C/104°F, за да почиствате предния панел. Това може да причини деформация или обезцветяване на панела.

Почистване на въздушния филтър

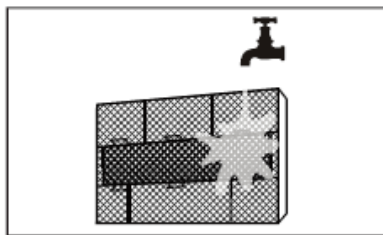
Запушеният въздушен филтър намалява ефективността на този уред при охлаждане, като може и да вреди на Вашето здраве. Почиствайте филтъра веднъж на всеки две седмици.

1. Вдигнете предния панел на вътрешното тяло.
2. Натиснете първо върху клемата за отваряне на системата за затваряне, вдигнете, след това дръпнете към Вас.
3. Извадете филтъра.
4. Ако основният филтър е предвиден с филтър за освежаване на въздуха, извадете го от основния филтър. Почиствайте филтъра за освежаване на въздуха с преносима прахосмукачка.
5. Почиствайте основния филтър с вода и сапун. Уверете се, че използвате слаб препарат за миене.
6. Изплаквайте филтъра с чиста вода, след това елиминирайте остатъка от вода.
7. Оставете го да изсъхне на хладно или сухо място; не излагайте филтъра на пряка слънчева светлина.
8. След изсъхване на филтъра поставете филтъра за освежаване на въздуха в основния филтър и монтирайте основния филтър във вътрешното тяло.
9. Затворете предния панел на вътрешното тяло.



ВНИМАНИЕ

Не докосвайте филтъра (с плазма) за освежаване на въздуха по време на най-малко 10 минути след изключване на уреда.

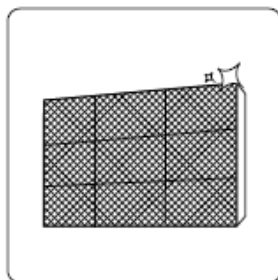


ВНИМАНИЕ

- Преди смяна на филтъра или извършване на операции за почистване, спрете уреда и изключете го от източника за захранване с електроенергия.
- Тогава, когато отстранявате филтъра, не докосвайте металните части от вътрешната част на тялото. Металните ръбове могат да Ви наранят.
- Не използвайте вода за почистване на вътрешната част на климатика. Излагането на вода може да повреди изолацията и може да предизвика токов удар.
- Не излагайте филтъра на пряка слънчева светлина. Това може да доведе до свиване на филтъра.

Поддръжка – Ако уредът няма да се използва за по-дълъг период от време

Ако възнамерявате да не използвате уреда за по-дълъг период от време, изпълнете следните действия:



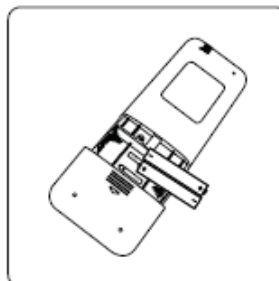
Почистете всички филтри.



Оставете активна функцията FAN, докато уредът е изцяло сух.



Спрете уреда и изключете го от източника за захранване с електроенергия.



Извадете батериите от дистанционното управление.

ВНИМАНИЕ

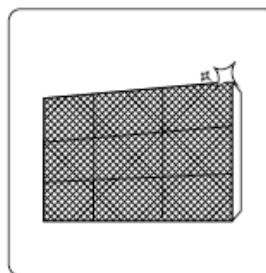
- Всички операции, които включват поддръжка и почистване на външното тяло, трябва да се извършват от дистрибутор или оторизиран сервизен център.
- Всички операции, които включват ремонт на уреда, трябва да се извършват от дистрибутор или оторизиран сервизен център.

Поддръжка – Проверки преди употреба

След дълъг период, когато не сте използвали уреда, или след периоди на честа употреба изпълнете следните действия:



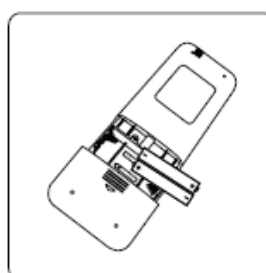
Проверете дали има повредени жици. 5



Почистете всички филтри.



Проверете дали има течове.



Подменете батериите.



Уверете се, че отворите за влизане и извеждане на въздуха не са запушени.

X. ОТСТРАНЯВАНЕ НА ПРОБЛЕМИ

МЕРКИ ЗА БЕЗОПАСНОСТ

При ВСЯКА от следните ситуации изключете веднага уреда!

- Захранващият кабел е повреден или прекалено горещ.
- Усещате миризма на изгоряло.
- Уредът издава силни или ненормални шумове.
- Често изгаря предпазител или се изключва автоматичния предпазител.
- Вода или други предмети текат/падат върху или от уреда.

НЕ СЕ ОПИТВАЙТЕ ДА ОТСТРАНЯВАТЕ САМИ ТЕЗИ ПОВРЕДИ! СВЪРЖЕТЕ СЕ ВЕДНАГА С ОТОРИЗИРАН СЕРВИЗЕН ЦЕНТЪР!

Обикновени проблеми

Следните проблеми не представляват повреди и, повечето пъти, не е необходим ремонт.

Проблеми	Възможни причини
Уредът не се включва при натискане на бутона за ВКЛЮЧВАНЕ/ИЗКЛЮЧВАНЕ.	С цел защита от претоварване уредът е оборудван със защита, която възпрепятства включването по време на 3 минути. Уредът не може да се включва отново в интервал от 3 минути, считано от момента на изключване.
Уредът превключва от режим COOL/HEAT в режим FAN.	Уредът може да промени настройката с цел предотвратяване на образуването на лед върху тялото. Заедно с увеличаването на температурата, уредът ще започне да работи в предходно избрания режим.
	Когато е достигната настроената температура, уредът ще изключва компресора. Уредът ще продължава да функционира тогава, когато температурата се промени отново.
Излизат бели изпарения от вътрешното тяло.	На места с висока влажност, голямата разлика в температурата между въздуха в стаята и въздуха от климатика може да причини образуване на изпарения с бял цвят.
Излизат бели изпарения от вътрешното и външното тяло.	Тогава, когато уредът се включва в режим HEAT след операция на размразяване, белите изпарения могат да се образуват вследствие на влагата, генерирана от процеса на размразяване.
Вътрешното тяло образува шумове	Тогава, когато пластината на вентилационния отвор се върне в първоначалната позиция, е възможно да се образува съскане.
	След функциониране на уреда в режим HEAT, може да се образува скърцане, причинено от разширяването и свиването на пластмасовите части на уреда.

Вътрешното и външното тяло образуват шумове.	Съскане с нисък интензитет по време на функциониране: Това е нормално и е причинено от преминаването на охлаждащия агент през вътрешното и външното тяло.
	Съскане с нисък интензитет тогава, когато системата се включва, веднага след изключване или по време на размразяване: Този шум е нормален и е причинен от спиране на охлаждащия агент или промяна на неговата посока.
	Скърцане: Нормалното разширяване и стесняване на пластмасовите и металните части, причинени от промените на температурата по време на функциониране, могат да образуват шумове.
Проблеми	Възможни причини
Вътрешното тяло образува шумове	Тялото образува различни шумове в зависимост от текущия режим на функциониране.
Излиза прах от вътрешното и външното тяло.	Тялото може да акумулира прах по време на дългите периоди, когато не се използва, и този прах излиза при включване на уреда. Това може да се ограничи чрез покриване на тялото по време на дългите периоди, когато не се използва.
От вътрешното тяло излиза неприятна миризма	Тялото може да абсорбира миризмите от околната среда (като например миризмата на мебелите, миризмата по време на готвене, цигарения дим и др.), като тези миризми са образувани по време на функциониране.
	Върху филтрите на тялото е образуван мухъл и изисква почистване.
Вентилаторът на външното тяло не функционира.	По време на функциониране оборотите на вентилатора се контролират с оглед оптимизация на постиженията на уреда.
Непредвидимо или несъответстващо функциониране, или уредът не отговаря на командите	Смущенията, причинени от усилвателите и кулите за клетъчни телефони, могат да причинят несъответстващо функциониране на уреда. В този случай изпълнете следните действия: <ul style="list-style-type: none"> • Изключете уреда от източника за захранване с електроенергия и включете го отново. • Натиснете бутона ON/OFF от дистанционното управление, за да включите повторно уреда.

ЗАБЕЛЕЖКА: Ако проблемът продължава да съществува след извършване на проверките по-горе, изключете веднага уреда и свържете се с оторизиран сервизен център. Предайте на сервизния център подробно описание на повредата и номера на модела на уреда.

Опитайте първо да откриете проблема съгласно инструкциите от долната таблица, след това се обърнете към сервизен център.

Проблеми	Възможни причини	Решение
Неефективно охлаждане	Настроената температура може да бъде по-висока от температурата на околната среда.	Настройте по-ниска температура.
	Превключвателят на топлината на вътрешното или външното тяло е замърсен.	Почистете превключвателя на топлината.
	Въздушният филтър е замърсен.	Извадете филтъра и почистете го в съответствие с инструкциите.
	Отворите за влизане и изпускане на въздуха на едно от телата са запушени.	Изключете уреда, отстранете причината за запушването и включете го отново.
	Вратите и прозорците са отворени.	Уверете се, че всички врати и прозорци са затворени по време на функциониране на уреда.
	Слънчевата светлина предизвиква прекомерна топлина.	Затворете вратите и прозорците в горещите дни или при силно слънце.
	Има твърде много източници на топлина в стаята (хора, компютри, електроуреди и др.)	Намалете броя на източниците на топлина.
	Ниско ниво на охлаждащия агент поради течове или продължително време на употреба	Проверете дали има течове, възобновете плътното затваряне (ако е необходимо) и заредете с необходимото количество охлаждащ агент.

Проблеми	Възможни причини	Решение
Уредът не функционира	Прекъсване на захранването с електроенергия.	Изчакайте възстановяване на захранването с електроенергия.
	Уредът е изключен.	Включете уреда.
	Предпазителят е изгорял.	Подменете предпазителя.
	Батериите на дистанционното управление са изтощени.	Подменете батериите.
	3-минутната защита на уреда е активирана.	Изчакайте 3 минути след повторното включване на тялото.
	Таймерът е активиран.	Изключете таймера.
Неефективно отопление	Външната температура е твърде ниска.	Използвайте допълнителното устройство за отопление.
	Въздухът прониква през вратите и прозорците.	Уверете се, че всички врати и прозорци са затворени по време на функциониране на уреда.
	Ниско ниво на охлаждащия агент поради течове или продължително време на употреба	Проверете дали има течове, възобновете плътното затваряне (ако е необходимо) и заредете с необходимото количество охлаждащ агент.
Светлинните показатели продължават да премигват.	Уредът може да спре да функционира или може да продължава да функционира при безопасни условия. Ако светлинните индикатори продължават да премигват или се появяват кодове за грешка, изчакайте около 10 минути. Проблемът може да се разреши от само себе си. В противен случай изключете тялото от източника за захранване с електроенергия и след това го свържете отново. Включете уреда. Ако проблемът продължава да съществува, изключете уреда от източника за захранване с електроенергия и свържете се с най-близкия сервизен център.	
Екранът на вътрешното тяло показва кодове за грешка: • E0, E1, E2... • P1, P2, P3... • F1, F2, F3...		

ЗАБЕЛЕЖКА: Ако проблемът продължава да съществува след извършване на проверките по-горе, изключете веднага уреда и свържете се с оторизиран сервизен център.



Изхвърляне на отпадъците по начин, отговорен за околната среда

Можете да помогнете за опазването на околната среда!

Моля спазвайте местните разпоредби: Предайте нефункциониращото електрическо оборудване на център за събиране на отпадъци от електрическо оборудване.



HEINNER е регистрирана марка на компанията **Network One Distribution SRL**. Останалите търговски марки и наименованията на продуктите са търговски марки или регистрирани търговски марки на съответните им притежатели.

Нито една част от спецификациите не може да бъде възпроизвеждана под каквато и да е форма или средство, или използвана за получаване на производни като преводи, трансформации или адаптации, без предварителното съгласие на компанията NETWORK ONE DISTRIBUTION.

Copyright © 2013 Network One Distribution. Всички права запазени.

www.heinner.com, <http://www.nod.ro>

<http://www.heinner.com>, <http://www.nod.ro>



Този продукт е проектиран и произведен в съответствие със стандартите и нормите на Европейската общност.

Вносител: **Network One Distribution**

ул. Марчел Янку № 3-5, Букурещ, Румъния

Tel: +40 21 211 18 56, www.heinner.com, www.nod.ro

HEINNER

LÉGKONDITIONÁLÓ KÉSZÜLÉK

Modell: HAC-CR09WHN / HAC-09CRKIT

HAC-CR12WHN /

HAC-12CRKIT / HAC-CR12WIFI

HAC-CR18WHN/ HAC-CR18WIFI

HAC-CR24WHN / HAC-CR24WIFI



- Légkondicionáló készülék
- Kapacitás: 9000 / 12000 / 18000 / 24000 BTU
- Szín: fehér

Köszönjük, hogy ezt a terméket választotta!

I. BEVEZETÉS

A készülék használata előtt olvassa el figyelmesen a használati kézikönyvet, és őrizze meg későbbi tanulmányozásra.

A leírás célja, hogy megadja az összes szükséges utasítást a gép telepítésére, használatára és karbantartására. A készülék helyes és biztonságos használata érdekében, kérjük, olvassa el a használati útmutatót, a gép használata előtt.

II. AZ ÖN CSOMAGJÁNAK TARTALMA



- **Légkondicionáló készülék**
- **Használati kézikönyv**
- **Garancialevél**
- **A távirányító kézikönyve**
- **Telepítési készlet (HAC-09CRKIT, HAC-12CRKIT)**
- **WIFI készlet (HAC-CR12WIFI, HAC-CR18WIFI, HAC-CR24WIFI)**

III. BIZTONSÁGI UTASÍTÁSOK



Vigyázat: Tűzveszély / gyúlékony anyagok

FIGYELMEZTETÉS: A karbantartási munkák csak a gyártó előírásainak megfelelően végezhetőek. Az olyan karbantartási és javítási munkák, melyekhez más szakképesítésű személy szükséges, a gyúlékony hűtőközegek használatában kompetens személy felügyelete alatt végzendők. További részletekért olvassa el a TELEPÍTÉSI KÉZIKÖNYV Tájékoztató műszaki támogatásról című fejezetét.

Az utasítások figyelembe nem vétele miatti helytelen üzembe helyezés meghibásodáshoz vagy súlyos sérülésekhez vezethet. A lehetséges károsodások és sérülések súlyosságára vonatkozó figyelmeztetéseket a FIGYELMEZTETÉS vagy FIGYELEM címszó alatt ismertetjük.



WARNING Ez a jelzés azt jelöli, hogy az utasítások figyelmen kívül hagyása halálhoz vagy súlyos személyi sérüléshez vezethet.



CAUTION Ez a jelzés azt jelöli, hogy az utasítások be nem tartása közepes sérüléseket, valamint a készülék vagy más javak meghibásodását okozhatja.

FIGYELMEZTETÉS

A készüléket 8 év fölötti gyermekek, csökkent fizikai, érzéki vagy szellemi képességekkel, gyakorlattal vagy ismeretekkel rendelkezők csak akkor használhatják, ha felügyelik, vagy felkészítik őket a készülék biztonságos használatára, és ha megértik a készülék használatával járó veszélyeket. Tilos gyermekeknek játszani a készülékkel. A készülék tisztítását és karbantartását nem végezhetik gyermekek felügyelet nélkül.

ÜZEMBEHELYEZÉSRE VONATKOZÓ FIGYELMEZTETÉSEK

Az egység üzembe helyezéséhez lépjen érintkezésbe egy szakemberrel. A nem megfelelő beszerelés vízszivárgást, áramütést vagy tüzesetet okozhat.

- A készülék javítását, karbantartását és más helyre való szállítását csak szakember végezheti. A nem megfelelő javítások súlyos balesetekhez vagy a termék hibás működéséhez vezethetnek.






A TERMÉK HASZNÁLATÁRA VONATKOZÓ FIGYELMEZTETÉSEK

- Szokatlan jelenség észlelésekor (például égett szag) azonnal kapcsolja ki és áramtalanítsa a készüléket. Az áramütés, tűz és sérülés elkerülésével kapcsolatos utasításokért lépjen érintkezésbe a forgalmazóval.
- Tilos belenyúlni vagy bármilyen tárgyat beledugni a befúvó vagy kifúvó nyílásába. A nagy sebességű ventilátorral való érintkezés súlyos sérüléshez vezet.
- Az egység közelében tilos gyúlékony folyadék vagy aeroszol (spray) alapú tisztítószer, lakkok vagy festékek használata, mert tűzveszélyt jelentenek.
- Ne használja a légkondicionáló készüléket olyan helyeken, ahol gyúlékony gázok szabadulhatnak fel. A kibocsátott gázok az egység köré gyűlve robbanást okozhatnak. Ne használja a légkondicionáló készüléket nedves szobában, mint a fürdőszoba vagy a mosoda. Ez áramütést okozhat, és a termék meghibásodását eredményezheti.
- Ne tartózkodjon hosszú ideig a közvetlen hideg légáramlás közelében.

AZ ELEKTROMOS ÁRAMMAL KAPCSOLATOS KOCKÁZATOKRA VONATKOZÓ FIGYELMEZTETÉSEK

- Csak a javasolt tápvezetékét használja. A hibás tápvezetékét a gyártónak vagy az illetékes szakszerviz képviselőjének kell kicserélnie.
- Tartsa a dugaszolót tisztán. Távolítsa el a dugaszolóban vagy körülötte felgyűlt port vagy szennyeződést. A elszennyeződött dugaszok tüzet vagy áramütést okozhatnak.
- Ne rántsa meg a tápvezetékét a csatlakozóból való kihúzásakor. Tartsa határozottan a dugaszolót, és úgy húzza ki a csatlakozóból. Ha közvetlenül a vezetéktől fogva húzza ki, a vezeték megrongálódhat, és tüzet vagy áramütést okozhat.
- Ne használjon hosszabbítókat, ne toldja meg a tápvezetékét, és ne csatlakoztasson más készüléket ahhoz a csatlakozóhoz, amelyhez a légkondicionáló berendezést van csatlakoztatva. A hibás elektromos csatlakoztatások, a nem megfelelő szigetelés és a nem elégséges feszültség tűzveszélyt jelentenek.

A belső vagy a külső egységen található jelképek magyarázata:

	FIGYELMEZTETÉS	Ez a jel azt mutatja, hogy ez a készülék gyúlékony hűtőközeget használ. Ha a hűtőközeg kifolyik, és egy külső gyújtóforrásnak van kitéve, tűzveszélyes.
	ELŐVIGYÁZAT	Ez a jel azt mutatja, hogy figyelmesen olvassa el a felhasználói kézikönyvet.
	ELŐVIGYÁZAT	Ez a jel azt mutatja, hogy a szakképzett személyek vegyék figyelembe ezzel a felszereléssel kapcsolatosan a telepítési kézikönyvben megszabottakat.
	ELŐVIGYÁZAT	
	ELŐVIGYÁZAT	Ez a jel azt mutatja, hogy tájékoztatók állnak rendelkezésre, úgy mint az üzemeltetési vagy a telepítési kézikönyv.

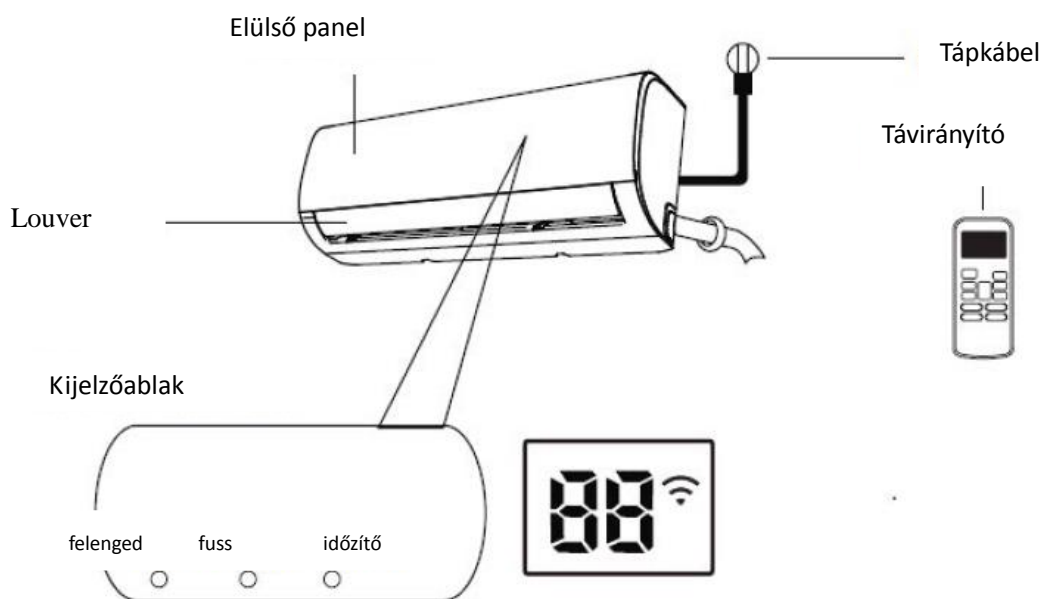
IV. TISZTÍTÁSRA ÉS A KARBANTARTÁSRA VONATKOZÓ FIGYELMEZTETÉSEK

- Az áramütésveszély elkerülése érdekében tisztítás előtt kapcsolja ki és áramtalanítsa a készüléket.
- A légkondicionáló berendezés tisztításához ne használjon túlzott mennyiségű vizet.
- Ne tisztítsa a légkondicionáló készüléket gyúlékony tisztító szerekkel. A gyúlékony tisztítószeres tüzesetet vagy elváltozásokat okozhatnak.

FIGYELEM

- Az oxigénhiány elkerülése érdekében szellőztesse ki jól a helyiséget ha a légkondicionáló készüléket égető vagy más melegítő berendezésekkel együtt használja.
- Kapcsolja ki a berendezést és húzza ki a dugaszt a csatlakozóaljzathoz, ha a készüléket hosszabb ideig nem használja.
- Viharok esetén kapcsolja ki a légkondicionáló készüléket, és húzza ki a dugaszolót a csatlakozóaljzathoz.
- Bizonyosodjon a kondenzvíz zavartalan kifolyásáról a készülékből.
- Az áramütésveszély elkerülése érdekében ne nyúljon a légkondicionáló készülékhez nedves kézzel!
- Ne használja a készüléket a tervezett céltól eltérő célra.
- Ne másszon fel a külső egység felső felületére, és ne helyezzen el tárgyakat rajta.
- Ne működtesse a légkondicionáló berendezést hosszú ideig nyitott ajtók és ablakok mellett vagy nagyon magas a nedvességben.

V. A KÉSZÜLÉK JELLEMZŐI



Leolvasztás – a leolvasztó funkció működésekor

Üzemelés – a készülék üzemeltetésekor

Időzítő – az időzítő működésekor



- amikor a Vezetékes hálózati vezérlés funkció aktív állapotban van (nincs áramszünet)

„88” sorra kigyúl E

C-0 – kiválasztott hőmérséklet – E – egy másodpercnyi idő alatt

A többi üzemelési módban az egység a kiválasztott hőmérsékletet fogja jelezni.

A FAN üzemmódban az egység a szobahőmérsékletet fogja jelezni.

Meghibásodás esetén kijelzi a hibakódot.

„ON” - 3 másodpercig az alábbi esetekben:

- a **TIMER ON** funkció üzemelésekor
- a **SWING, TURBO** vagy **SILENCE** funkciók üzemelésekor

„OF” - 3 másodpercig az alábbi esetekben:

- a **TIMER OFF** funkció üzemelésekor
- a **SWING, TURBO** vagy **SILENCE** funkciók kikapcsolásakor

„cF” - a hideg levegő bejutását megakadályozó funkció üzemelésekor

„dF” – a leolvasztási művelet alatt

„SC” – az öntisztító művelet alatt

„FP” – a fagyás elleni funkció üzemelésekor

VI. OPTIMÁLIS TELJESÍTMÉNY ELÉRÉSE

A COOL, HEAT és DRY üzemmódok optimális teljesítményei az alábbi hőmérsékleti intervallumokban érhetőek el. A légkondicionáló berendezésnek ezen intervallumokon kívüli használatakor olyan védőfunkciók lépnek működésbe, amelyek az egység kevésbé optimális működését idézik elő.

SPLIT TÍPUSÚ KÉSZÜLÉKEK, INVERTER TECHNOLOGIÁVAL

COOL üzemmód		HEAT üzemmód	DRY üzemmód
A szoba hőmérséklete	17°C - 32°C (63°F - 90°F)	0°C - 30°C (32°F - 86°F)	10°C - 32°C (50°F - 90°F)
Külső hőmérséklet	0°C - 50°C (32°F - 122°F)	-15°C - 30°C (5°F - 86°F)	0°C - 50°C (32°F - 122°F)
	-15°C - 50°C (5°F - 122°F) (Az alacsony hőmérsékletű hűtőrendszerekkel rendelkező típusoknál.)		
	0°C - 60°C (32°F - 140°F) (A speciális típusú eszközök.)		0°C - 60°C (32°F - 140°F) A speciális típusú eszközök.

PÓT MELEGÍTŐVEL ELLÁTOTT KÜLSŐ EGYSÉGEKHEZ

Ha a külső hőmérséklet 0 ° C (32 ° F) alatti, a működés optimális feltételeinek biztosítása érdekében tartsa a készüléket állandóan csatlakoztatva tápvezetékhez.

Állandó sebességű kompresszorral ellátott készülékek

	COOL üzemmód	HEAT üzemmód	DRY üzemmód
A szoba hőmérséklete	17°-32°C (63°-90°F)	0°-30°C (32°-86°F)	10°-32°C (50°-90°F)
Külső hőmérséklet	18°-43°C (64°-109°F)	-7°-24°C (19°-75°F)	11°-43°C (52°-109°F)
	-7°-43°C (19°-109°F) (Az alacsony hőmérsékletű hűtőrendszerekkel rendelkező típusoknál.)		18°-43°C (64°-109°F)
	18°-54°C (64°-129°F) (A speciális típusú eszközök.)		18°-54°C (64°-129°F) (A speciális típusú eszközök.)

Készüléke teljesítményének optimalizálásáért kövesse az alábbi tanácsokat:

- Tartsa csukva az ajtókat és ablakokat.
- A BE és KI IDŐZÍTŐ (TIMER ON és TIMER OFF) funkciók használatával csökkentse a villanyáram fogyasztást.
- Ne zárja el a levegő bemeneti és kimeneti nyílásait.
- Időnként ellenőrizze és tisztítsa ki a szűrőket.

Az egyes funkciók részletes magyarázata érdekében tanulmányozza a távirányító kézikönyvét.

Más jellemzők

• **Automatikus újraindítás**

A villanyáram ellátás megszűnésekor a készülék automatikusan újraindul, megtartva a beállításokat a villanyáram ellátás visszaállításakor.

• **Penész elleni funkció**

A készülék megállásakor a COOL, AUTO (COOL) vagy DRY üzemmódok egyikében való megállítása esetén, a készülék nagyon alacsony teljesítményen fog tovább működni, eltávolítva a lecsapódás során keletkező vizet és megelőzve a penészedést.

• **A szellőző nyílás fedőlemeze szögének megjegyzése**

A készülék bekapcsolásakor a szellőző nyílás fedőlemeze automatikusan visszatér az előzőleg beállított szögbe.

• **A hűtőanyag veszteségének érzékelése**

Ha az egység hűtőanyag veszteséget érzékel, a belső egység automatikusan „EC” jelzést jelez, az időzítő villogó jelzője kialszik, az üzemelés jelző pedig 7-szer villog.

Készüléke kiterjesztett funkcióival kapcsolatos magyarázatokért (Turbó, a Silence és a hőmérséklet 8°) tanulmányozza a távirányító használati kézikönyvét.

VII. A LÉGÁRAMLÁS IRÁNYÁNAK ELLENŐRZÉSE

A légáram függőleges beállítása

A készülék működése alatt a légáramlás irányának (függőleges szög) beállításához használja a **SWING /DIRECT** gombot.

1. A légtelítő zsalu elindításáért nyomja meg egyszer a **SWING /DIRECT** gombot. A gomb mindenik megnyomásakor a légtelítő zsalu 6°-os szögben elmozdul. Addig nyomja a gombot, amíg a kívánt irány kiválasztotta.

2. A légtelítő zsalu függőlegesen való lengéséért nyomja meg és tartsa benyomva 3 másodpercig a **SWING /DIRECT** gombot. A funkció kikapcsolásáért nyomja meg újra a gombot.

A légáram vízszintes beállítása

A légáram vízszintes beállítását kézzel végezze és állítsa a kívánt irányba. Fogja meg az irányterelő rúdját (lásd B. ábra), és állítsa kézzel a kívánt irányba.

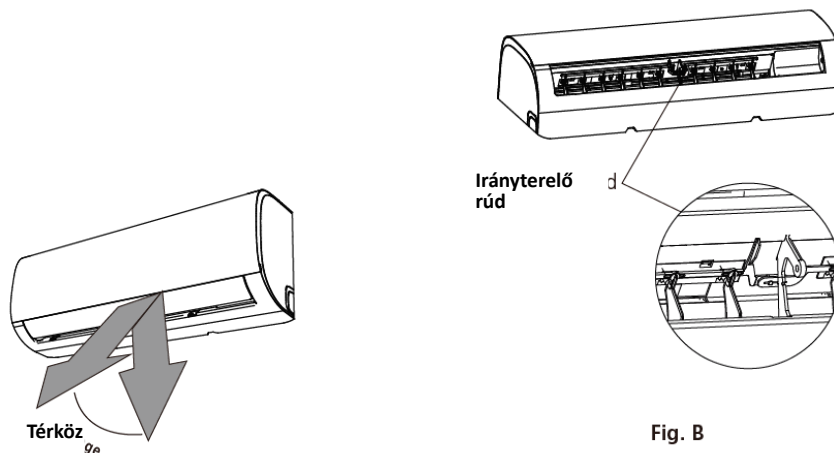
Egyes készülékeknél a légáram vízszintes szögét a távirányítóval állíthatja be. Kérjük, tanulmányozza a távirányító kézikönyvét.

A LÉGTELÍTŐ ZSALU SZÖGEIRE VONATKOZÓ MEGJEGYZÉS

Ne használja sokáig a légkondicionáló berendezést lefelé irányított légárammal a COOL vagy a DRY üzemmódban. Ellenkező esetben kondenzvíz jelenhet meg a légtelítő zsalu lemezén, és a nedvesség a padlóra vagy a bútorra juthat. (lásd A. ábra)

A készülék COOL vagy DRY üzemmódban történő működésekor a légáramlás lefelé való irányítása csökkentheti a készülék teljesítményét a mérsékelt légáramlás miatt.

Ne mozdítsa el kézzel a légtelítő zsalu lemezeit, mert ez a légtelítő zsalu egybehangelésének elvesztéséhez vezet. Ilyen esetben pár másodpercig állítsa meg a készüléket, csatlakoztassa le a tápvezetékéről, majd indítsa újra. Ez a művelet visszaállítja a légtelítő zsalut.

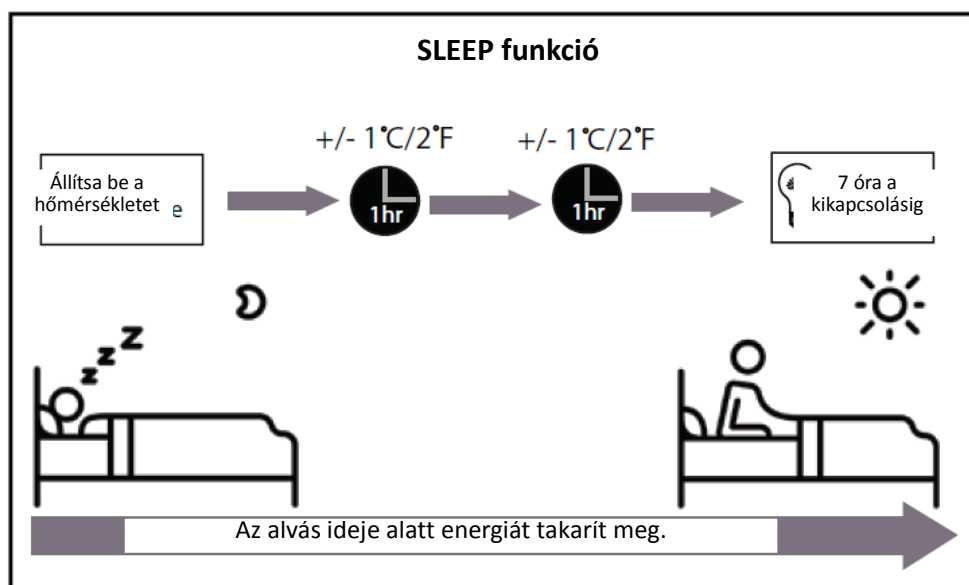


Ne helyezze ujjait vagy tárgyakat a készülék befúvó vagy kifúvó nyílásaiba. A készülék belsejében lévő ventilátor a sebesülését okozhatja.

A SLEEP takarékos, éjszakai üzemmódban való működés

A SLEEP funkciót használja a villanyáram fogyasztás csökkentésére, mialatt Ön alszik (és nincs szüksége ugyanazon hőmérsékleti beállításokra ahhoz, hogy kényelmesen érezze magát). Ezt a funkciót csak a távirányító segítségével állíthatja be. Nyomja meg a SLEEP gombot lefekvés előtt. A COOL üzemmódban az egység megnöveli a hőmérsékletet 1°C fokkal (2°F) (1 óra múlva) és még 1°C fokkal (2°F) újabb 1 óra elteltével. A HEAT üzemmódban az egység csökkenti a hőmérsékletet 1°C fokkal (2°F) (1 óra múlva) és még 1°C fokkal (2°F) újabb 1 óra elteltével. A hőmérsékletet 5 órán át megőrződik, majd a készülék automatikusan leáll.

Megjegyzés: A SLEEP funkció nem érhető el a FAN vagy a DRY üzemmódban.



VIII. KÉZI ÜZEMELTETÉS (TÁVIRÁNYÍTÓ NÉLKÜL)

A készülék távirányító nélküli használata

A távirányító nem működése esetén a készüléket kézi vezérléssel is működtetheti a belső egységben található KÉZI VEZÉRLÉS gomb segítségével. Kérjük, jegyezze meg, hogy a kézi vezérlés nem jelent hosszú távú megoldást, és a távirányító használata a legajánlottabb megoldás.

A KÉZI VEZÉRLÉS ELŐTT

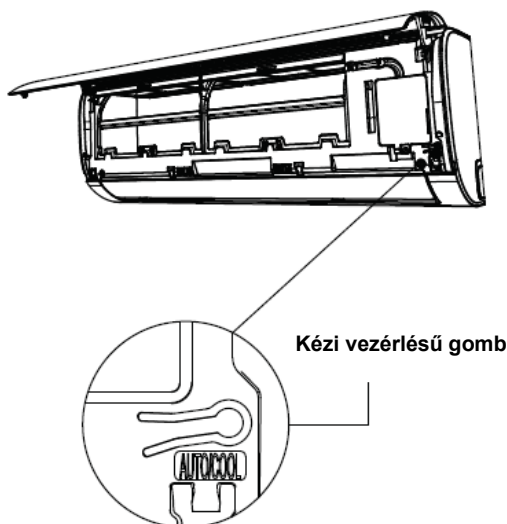
A kézi vezérlés előtt a kapcsolja ki a készüléket.

A készülék kézi vezérléséhez az alábbiak szerint járjon el:

1. Nyissa fel a belső egység előlapját.
2. Keresse meg az egység jobb oldalán található KÉZI VEZÉRLÉS gombot.
3. Az AUTO üzemmód erőltetett működésbe hozásáért nyomja meg egyszer a KÉZI VEZÉRLÉS gombot.
4. A COOLING (hűtés) üzemmód erőltetett működésbe hozásáért nyomja meg újra a KÉZI VEZÉRLÉS gombot.
5. Az egység kikapcsolásáért nyomja meg harmadszor a KÉZI VEZÉRLÉS gombot.
6. Csukja be a homlokzati lapot.

FIGYELEM!

A kézi vezérlésű gombot csak tesztelési célokra és a távirányító nem működése esetén használja. Kérjük, hogy ezt a funkciót csak a távirányító elvesztése vagy feltétlen szükség esetén használja. A normális működésre való visszatérés érdekében a készülék üzembe helyezésére használja a távirányítót.



IX. TISZTÍTÁS ÉS KARBANTARTÁS

A belső egység tisztítása

TISZTÍTÁS VAGY KARBANTARTÁS ELŐTT

TISZTÍTÁS VAGY KARBANTARTÁS ELŐTT MINDIG KAPCSOLJA KI ÉS ÁRAMTALANÍTSA A LÉGKONDITIONÁLÓ KÉSZÜLÉKET.

FIGYELEM!

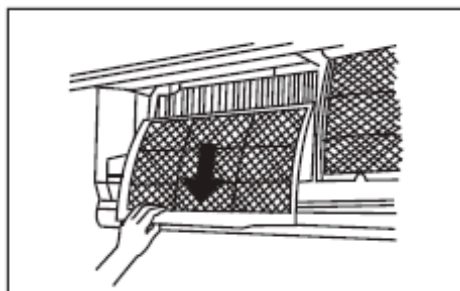
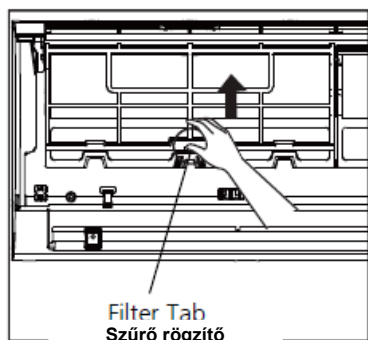
Törölje meg a készüléket egy puha és száraz ronggyal. Ha a készülék nagyon mocskos, meleg vízbe mártott ronggyal törölje meg.

- A készülék tisztításához ne használjon kémiai anyagokat vagy vegyszerekbe mártott rongyot.
- A tisztításhoz ne használjon benzint, oldószert, fényszóróport vagy hasonló oldóanyagokat, mert ezek az anyagok a műanyag felület megrepedését és elferdülését okozhatják.
- Az előlap tisztításához ne használjon 40°C/104°F foknál nagyobb hőmérsékletű vizet, mert ez az előlap elferdülését és elszíneződését okozhatja.

A légszűrő tisztítása

Az eldugult légszűrő csökkenti a készülék hűtési teljesítményét, és az Ön egészségére is ártalmas lehet. Kétféleképpen egyszer tisztítsa ki a szűrőt.

1. Emelje fel a főegység homlokzati lapját.
2. A záró rendszer kinyitásához először nyomja meg a rögzítőt, emelje meg, majd húzza maga felé.
3. Távolítsa el a szűrőt.
4. Ha a központi szűrő egy légfrissítő szűrővel van ellátva, vegye ki a központi szűrőből. Egy hordozható porszívó segítségével tisztítsa ki a légfrissítő szűrőt.
5. Vízzel és szappannal tisztítsa meg a központi szűrőt. Bizonyosodjon meg arról, hogy egy gyengébb mosószert használ.
6. Öblítse ki tiszta vízzel a szűrőt, majd távolítsa el a fölösleges vizet.
7. Hagyja szellős és száraz helyen megszáradni; a szűrőt ne tegye ki közvetlen napsugárzásnak.
8. A szűrő megszáradása után a légfrissítő szűrőt fogassa a központi szűrőre, majd az utóbbit helyezze be a belső egységbe.
9. Csatolja be az előlapot.



FIGYELEM

Az egység megállása után legalább 10 percig ne érintse a léghűtő (plazmás) szűrőt.

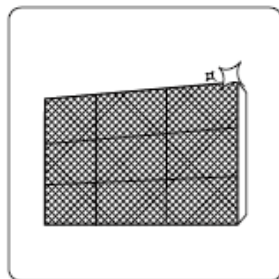


FIGYELEM!

- A szűrő kicserélése vagy a tisztítási műveletek előtt kapcsolja ki és áramtalanítsa a készüléket.
- A szűrő eltávolításakor ne érintse az egység belsejében található fém alkatrészeket. Az éles fémperemek sérülést idézhetnek elő.
- A légkondicionáló készülék belsejének tisztításához ne használjon vizet. A készülék vízzel való érintkezése következtében megrongálódhat a szigetelés és áramütést idézhet elő.
- Ne tegye ki a szűrőt közvetlen napsugárzásnak. Ez a szűrő összehúzódásához vezethet.

Karbantartás – Hosszú használaton kívüli időszakok

A készülék hosszabb ideig tartó szüneteltetése esetén végezze el az alábbi műveleteket:



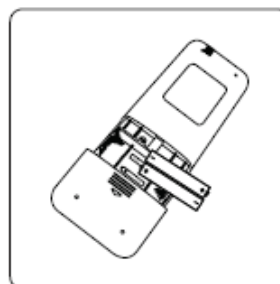
Tisztítsa ki mindenik szűrőt



Hagyja üzem módban a VENTILLÁTOR (FAN) funkciót az egység teljes kiszáradásáig



Allítsa le és áramtalanítsa az egységet



Vegye ki az elemeket a távirányítóból

FIGYELEM!

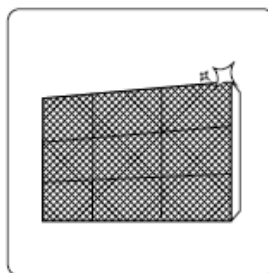
- A belső egység karbantartásával és tisztításával járó minden műveletet a forgalmazónak vagy a szakszerviz képviselőjének kell elvégeznie.
- Az egység javításával járó minden műveletet a forgalmazónak vagy a szakszerviz képviselőjének kell elvégeznie.

Karbantartás – Használat előtti ellenőrzések

Hosszabb szüneteltetés vagy gyakori használati periódusok után az alábbi műveleteket végezze el:



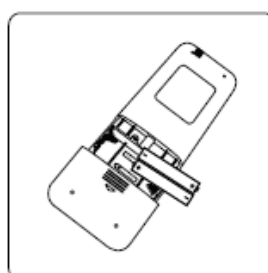
Ellenőrizze a meghiúsodott szálakat es



Tisztítsa ki mindenik szűrőt



Ellenőrizze a légkiáramlást 5



Cserélje ki az elemeket ;



Bizonyosodjon meg, hogy a légbevezető és a kivezető nyílások nincsenek elzárva.

X. HIBAELHÁRÍTÁS

BIZTONSÁGI INTÉZKEDÉSEK

Azonnal kapcsolja ki a készüléket BÁRMELYIK alábbi helyzet előfordulásakor!

- A tápvezeték meghibásodott vagy különösen forró.
- Égett szagot érez.
- Az egység erős vagy különös zajokat bocsát ki.
- Túl gyakran kiég egy biztosíték vagy kioldódik egy kikapcsoló.
- Az egységbe/egységből víz vagy más tárgyak estek be/ki.

NE PRÓBÁLJA SAJÁT FELELŐSSÉGÉRE MEGJAVÍTANI EZEKET A MEGHIBÁSODÁSOKAT!
AZONNAL LÉPJEN KAPCSOLATBA EGY ILLETÉKES SZAKSZERVIZSEL!

Gyakori meghibásodások

Az alábbi üzemzavarok nem jelentenek meghibásodást, és legtöbb esetben, nem igényelnek javítást.

Hiba	Lehetséges okok
Az egység nem indul el a BE/KIKAPCSOL gomb megnyomásával	A túlterhelés elleni védelem érdekében a készülék egy olyan védőelemmel van ellátva, amely 3 percig megakadályozza működésbe hozását. A készülék nem indítható újra kikapcsolása után 3 percig.
Az egység átvált a COOL/HEAT üzemmódból a FAN üzemmódba	A készülék az egységen való jég kialakulásának megelőzése érdekében megváltoztathatja az üzemmódot. A hőmérséklet növekedésével egy időben az egység az előzetesen kiválasztott üzemmódban kezd el működni.
	A kiválasztott hőmérsékleti érték elérésekor a készülék megállítja a kompresszort. A hőmérséklet változásakor az egység elkezd újra működni.
A belső egységből fehér vízgőz távozik	Nedves helyeken a szoba hőmérséklete és a kondicionált levegő közti nagy hőmérsékletkülönbség fehér színű vízgőz kibocsátást idézheti elő.
A belső és külső egységből fehér vízgőz távozik	Amikor az egység a jégtelenítési művelet után a HEAT üzemmódban indul újra, a fehér vízgőz a jégtelenítési művelet következményeként képződhet.
A belső egység zajt bocsát ki	A légtérelő zsalu lemezének eredeti helyzetbe való visszatérésekor egy sípoló hang kibocsátása lehetséges.
	Az egység HEAT üzemmódban való működése után az egység műanyag elemeinek kitágulása és összehúzódása által okozott csikorgó zaj hallatszódhat.

A belső vagy a külső egység zajt bocsát ki	Működés közben hallatszó mérsékelt erősségű zúgás: A hűtőanyagnak a belső és külső egységen keresztül történő folyása által okozott természetes jelenség.
	A rendszer elindulásakor, közvetlen a leállítás után vagy a jégtelenítési folyamat alatt hallatszó mérsékelt erősségű zúgás: A hűtőanyag megállása vagy irányának megváltoztatása által okozott természetes zaj.
	Csikorgás: a műanyag és fém alkatrészek kitágulása és összehúzódása, amelyet az üzemmód alatti hőmérsékletváltozások okoznak, zajokat idézhet elő.
Hiba	Lehetséges okok
A külső egység zajt bocsát ki	Az egység a pillanatnyi működési rendszer függvényében különböző hangokat bocsát ki.
A belső vagy a külső egységből por száll ki	A készülék hosszabb ideig tartó nem üzemeltetése alatt az egységben por halmozódhat fel, amely a készülék üzembe helyezésekor kiáramlik. Ez a dolog a készülék hosszabb ideig tartó nem üzemeltetése alatti letakarásával mérsékelhető.
Az egység kellemetlen szagot áraszt	Az egység beszívhatja a közvetlen környezet szagait (mint a bútor, a főzés, a cigaretta stb. szaga), amelyeket működés közben kibocsát.
	Az egység szűrői megpenészedtek, és tisztítást igényelnek.
Nem működik a külső egység ventilátora	A készülék teljesítményeinek optimalizálása érdekében a ventilátor fordulatszáma ellenőrzött működés alatt.
A működés szabálytalan, nem megfelelő vagy a készülék nem reagál a parancsokra	Az erősítők és a mobiltelefon szolgáltató tornyok okozta interferencia az egység nem megfelelő működését okozhatja. Ebben az esetben végezze el az alábbi műveleteket: <ul style="list-style-type: none"> • Áramtalanítsa a készüléket, majd kapcsolja újra vissza. • A működés újraindításáért nyomja meg a távirányító BE / KI (ON / OFF) gombját.

MEGJEGYZÉS: Ha a meghibásodás a fenti ellenőrzések ellenére is továbbra fennáll, kapcsolja ki azonnal a készüléket, és lépjen kapcsolatba egy hivatalos javítóközponttal. A javítóközponttal ismertesse a meghibásodás részletes leírását és a készülék modellszámát.

Végezze el az összes szükséges ellenőrzést, majd forduljon egy szervizhez.

Hiba	Lehetséges okok	Megoldás
A hűtés nem hatékony	A kiválasztott hőmérséklet magasabb lehet, mint a környezeti hőmérséklet.	Válasszon ki egy alacsonyabb hőmérsékletet.
	A belső vagy külső egység hőcserélője bemocskolódott.	Tisztítsa ki a hőcserélőt.
	A légszűrő bemocskolódott.	Vegye ki a szűrőt, és az utasításoknak megfelelően tisztítsa ki.
	Az egységek bármelyikének bevezető és kijöveteli nyílásai elzáródtak	Kapcsolja ki a készüléket, hárítsa el elzáródás okát, és indítsa újra a készüléket
	Az ajtók és az ablakok nyitva vannak	Győződjön meg, hogy a készülék működése alatt minden ajtó és ablak be van csukva.
	A napsugárzás túlzott meleget termel	Meleg időben vagy erős napsütéskor csukja be az ajtókat és ablakokat.
	Nagyon sok hőforrás található a szobában (személyek, számítógépek, elektromos készülékek stb.)	Csökkentse a hőforrások számát.
	Csökkent mennyiségű hűtőanyag a kiáramlás vagy hosszabb használatból kifolyólag	Ellenőrizze a hűtőanyag kiáramlást, csinálja újra a tömítéseket (szükség esetén) és pótolja a hűtőanyag mennyiséget

Hiba	Lehetséges okok	Megoldás
Az egység nem működik	Áramellátás megszakadása	Várja meg az áramellátás helyreállítását.
	A készülék megállt	Kapcsolja be a készüléket.
	A biztosíték kiégett	Cserélje ki a biztosítékot.
	Elhasználódtak a távirányító elemei	Cserélje ki az elemeket
	Működik a 3 perces védelem	A készülék újraindítása után várjon 3 percet.
	Működik az időzítő	Állítsa meg az időzítőt.
A fűtés nem hatékony	A külső hőmérséklet túlságosan alacsony.	Használja a pót fűtőberendezést.
	Az ajtókon és ablakokon keresztül levegő áramlik be	Győződjön meg, hogy a készülék működése alatt minden ajtó és ablak be van csukva.
	Csökkent mennyiségű hűtőanyag a kiáramlás vagy hosszabb használatból kifolyólag	Ellenőrizze a hűtőanyag kiáramlását, csinálja újra a tömítéseket (szükség esetén) és pótolja a hűtőanyag mennyiséget
A világító jelzések továbbra is villognak	Az egység kikapcsolhat vagy továbbra is biztonságos körülmények közt működhet. Ha a világító jelzések továbbra is villognak vagy hibakódok jelennek meg, várjon körülbelül 10 percig. A zavar önmagától is megoldódhat. Ellenkező esetben, csatlakoztassa le az egységet a tápforrásról, majd csatlakoztassa vissza. Ha a zavar továbbra is fennáll, áramtalanítsa a készüléket, és lépjen érintkezésbe a legközelebbi szakszervizzel.	
A belső egység képernyője hibakódokat jelez ki: • E0, E1, E2... • P1, P2, P3... • F1, F2, F3...		

MEGJEGYZÉS: Ha a probléma a fenti ellenőrzések elvégzése után is fennáll, azonnal kapcsolja ki a készüléket, és vegye fel a kapcsolatot egy szakszervizzel.



A hulladékok környezetfelelős eltávolítása

Segíthet a környezet védelmében!

Kérjük, tartsa be a helyi rendelkezéseket: a nem működő elektromos berendezéseket a használt elektromos hulladékokat gyűjtő központba szolgáltatassa be.



A HEINNER a **Network One Distribution SRL(KFT)** társaság által bejegyzett védjegy. A többi márkajelzés és a termékek megnevezése kereskedelmi vagy az illető birtoklók által bejegyzett márkanevek.

A műszaki leírások egyik része sem reprodukálható semmilyen formában és semmilyen módon, és nem használható fel fordításra, átváltoztatásra vagy alkalmazásra a NETWORK ONE DISTRIBUTION társaság előzetes beleegyezése nélkül.

Copyright © 2013 Network One Distribution. Minden jog fenntartva.

www.heinner.com, <http://www.nod.ro>

<http://www.heinner.com>, <http://www.nod.ro>



A terméket az Európai Közösség előírásainak és jogszabályainak megfelelően tervezték és gyártották.

Importőr: **Network One Distribution**

Marcel Iancu utca, 3-5 szám, Bukarest (București), Románia

Tel: +40 21 211 18 56, www.heinner.com, www.nod.ro

HEINNER

ΚΛΙΜΑΤΙΣΤΙΚΗ ΣΥΣΚΕΥΗ

Μοντέλο:

HAC-CR09WHN / HAC-09CRKIT

HAC-CR12WHN /

HAC-12CRKIT / HAC-CR12WIFI

HAC-CR18WHN/ HAC-CR18WIFI

HAC-CR24WHN / HAC-CR24WIFI



- ΚΛΙΜΑΤΙΣΤΙΚΗ ΣΥΣΚΕΥΗ
- Χωρητικότητα: 9000 / 12000 / 18000 / 24000 BTU
- Χρώμα: άσπρο

I. ΕΙΣΑΓΩΓΗ

Προτού χρησιμοποιήσετε αυτή τη συσκευή, διαβάστε προσεκτικά το εγχειρίδιο χρήσης και φυλάξτε τις για μελλοντική χρήση.

Αυτό το εγχειρίδιο σχεδιάστηκε για να σας προσφέρει όλες τις απαραίτητες οδηγίες εγκατάστασης, χρήσης και συντήρησης της συσκευής. Για την σωστή και ασφαλή χρήση της συσκευής, παρακαλούμε να διαβάσετε προσεκτικά το παρόν εγχειρίδιο χρήσης πριν από την εγκατάσταση και χρήση της.

III. ΠΕΡΙΕΧΟΜΕΝΟ ΣΥΣΚΕΥΑΣΙΑΣ

- ΚΛΙΜΑΤΙΣΤΙΚΗ ΣΥΣΚΕΥΗ
- Εγχειρίδιο χρήστη
- Πιστοποιητικό εγγύησης
- Εγχειρίδιο χρήσης τηλεχειριστηρίου
- Κιτ εγκατάστασης (HAC-09CRKIT, HAC-12CRKIT)
- WIFI kit (HAC-CR12WIFI, HAC-CR18WIFI, HAC-CR24WIFI)



III. ΜΕΤΡΑ ΑΣΦΑΛΕΙΑΣ



Προσοχή: Κίνδυνος πυρκαγιάς / εύφλεκτων υλικών

ΠΡΟΕΙΔΟΠΟΙΗΣΗ: Οι εργασίες συντήρησης πρέπει να εκτελούνται μόνο σύμφωνα με τις συστάσεις του κατασκευαστή. Η συντήρηση και η επισκευή που απαιτούν τη συνδρομή άλλου ειδικευμένου προσωπικού πραγματοποιούνται υπό την επίβλεψη του υπευθύνου για τη χρήση εύφλεκτων ψυκτικών μέσων. Για περισσότερες λεπτομέρειες, ανατρέξτε στην ενότητα Πληροφορίες περί τεχνικής βοήθειας στο ΕΓΧΕΙΡΙΔΙΟ ΕΓΚΑΤΑΣΤΑΣΗΣ.

Η εσφαλμένη τοποθέτηση λόγω μη τήρησης αυτών των οδηγιών μπορεί να προκαλέσει σοβαρές ζημιές ή τραυματισμούς.

Η σοβαρότητα πιθανών βλαβών ή τραυματισμών κατατάσσεται ως **ΠΡΟΕΙΔΟΠΟΙΗΣΗ** ή **ΠΡΟΣΟΧΗ**.



ΠΡΟΕΙΔΟΠΟΙΗΣΗ Αυτό το σύμβολο δείχνει ότι η μη τήρηση των οδηγιών μπορεί να προκαλέσει θάνατο ή σοβαρό σωματικό τραυματισμό.



ΠΡΟΣΟΧΗ Αυτό το σύμβολο υποδεικνύει ότι η μη τήρηση των οδηγιών μπορεί να προκαλέσει μέτρια σωματική βλάβη στο χρήστη ή βλάβη στη συσκευή σας ή σε άλλα αγαθά.

ΠΡΟΕΙΔΟΠΟΙΗΣΗ

Αυτή η συσκευή οικιακής χρήσης μπορεί να χρησιμοποιηθεί από παιδιά ηλικίας άνω των 8 ετών και άτομα με μειωμένη σωματική, αισθητηριακή ή διανοητική ικανότητα ή χωρίς εμπειρία, μόνο υπό επίβλεψη ή οδηγίες σχετικά με την ασφαλή χρήση της συσκευής και την κατανόηση των σχετικών κινδύνων. Μην αφήνετε τα παιδιά να παίζουν με αυτήν τη συσκευή. Ο καθαρισμός και η συντήρηση μπορούν να γίνουν μόνο από παιδιά υπό επίβλεψη.

ΠΡΟΕΙΔΟΠΟΙΗΣΕΙΣ ΣΧΕΤΙΚΑ ΜΕ ΤΗΝ ΕΓΚΑΤΑΣΤΑΣΗ

- Ρωτήστε έναν εξουσιοδοτημένο αντιπρόσωπο την εγκατάσταση του κλιματιστικού. Η εσφαλμένη εγκατάσταση μπορεί να προκαλέσει διαρροή, ηλεκτροπληξία ή πυρκαγιά.
- Όλες οι εργασίες επισκευής, συντήρησης και μετεγκατάστασης πρέπει να εκτελούνται από εξουσιοδοτημένο τεχνικό. Οι ακατάλληλες επισκευές μπορούν να προκαλέσουν σοβαρό τραυματισμό ή βλάβη στο προϊόν.

ΠΡΟΕΙΔΟΠΟΙΗΣΕΙΣ ΣΧΕΤΙΚΑ ΜΕ ΤΗΝ ΧΡΗΣΗ

- Σε περίπτωση μη φυσιολογικών καταστάσεων (π.χ. μυρωδιά καύσης), απενεργοποιήστε αμέσως τη συσκευή και αποσυνδέστε την από την πρίζα. Επικοινωνήστε με τον πωλητή για οδηγίες σχετικά με την πρόληψη της ηλεκτροπληξίας, πυρκαγιάς ή τραυματισμού.
- Μην εισάγετε τα δάχτυλά σας, ραβδιά ή άλλα αντικείμενα στις εισόδους εισαγωγής ή εξαγωγής αέρα. Μπορείτε να υποστείτε τραυματισμούς επειδή ο ανεμιστήρας περιστρέφεται με υψηλές ταχύτητες.
- Μην χρησιμοποιείτε εύφλεκτα σπρέι, σταθεροποιητικά μαλλιά, βερνίκι ή βαφή κοντά στη συσκευή. Μπορεί να προκληθεί πυρκαγιά.
- Μην χρησιμοποιείτε το κλιματιστικό κοντά στα εύφλεκτα αέρια. Οι ατμοί ενδέχεται να συσσωρευθούν γύρω από τη συσκευή και μπορεί να προκαλέσουν έκρηξη.
- Μην χρησιμοποιείτε το κλιματιστικό σε ένα υγρό δωμάτιο (π.χ. μπάνιο ή πλυντήριο). Μπορεί να προκληθεί ηλεκτροπληξία και βλάβη στο προϊόν.
- Μην εκθέτετε το σώμα απευθείας σε ψυχρό αέρα για μεγάλες χρονικές περιόδους.

ΗΛΕΚΤΡΙΚΕΣ ΠΡΟΕΙΔΟΠΟΙΗΣΕΙΣ






Χρησιμοποιήστε μόνο το καθορισμένο καλώδιο τροφοδοσίας. Εάν είναι κατεστραμμένο, πρέπει να αντικατασταθεί από τον κατασκευαστή ή εξουσιοδοτημένο τεχνικό.

Κρατήστε το φις καθαρό. Αφαιρέστε τη σκόνη ή τη βρωμιά που συσσωρεύεται πάνω ή γύρω από το βύσμα. Τα βρώμικα άκρα μπορεί να προκαλέσουν πυρκαγιά ή ηλεκτροπληξία.

Μην αποσυνδέετε τη συσκευή από την πρίζα τραβώντας το καλώδιο. Κρατήστε καλά το φις και αποσυνδέστε το. Αν τραβάτε απευθείας το καλώδιο, μπορεί να καταστραφεί, προκαλώντας πυρκαγιά ή ηλεκτροπληξία.

Μην χρησιμοποιείτε καλώδιο επέκτασης, μη επεκτείνετε με το χέρι το καλώδιο τροφοδοσίας ή συνδέετε άλλες οικιακές συσκευές στην ίδια πρίζα. Ανεπαρκείς ηλεκτρικές συνδέσεις, ακατάλληλη μόνωση και ανεπαρκής τάση μπορεί να προκαλέσουν πυρκαγιά.

Επεξήγηση των συμβόλων που εμφανίζονται στην εσωτερική μονάδα ή στην εξωτερική μονάδα:

	ΠΡΟΕΙΔΟΠΟΙΗΣΗ	Αυτό το σύμβολο υποδηλώνει ότι η συσκευή έχει χρησιμοποιήσει εύφλεκτο ψυκτικό μέσο. Εάν το ψυκτικό μέσο διαρρεύσει και εκτίθεται σε εξωτερική πηγή ανάφλεξης, υπάρχει κίνδυνος πυρκαγιάς.
	ΠΡΟΣΟΧΗ	Αυτό το σύμβολο δείχνει ότι πρέπει να διαβάσετε προσεκτικά το Εγχειρίδιο χρήστη.
	ΠΡΟΣΟΧΗ	Αυτό το σύμβολο δείχνει ότι το εξειδικευμένο προσωπικό πρέπει να χειρίζεται αυτόν τον εξοπλισμό με αναφορά στο εγχειρίδιο εγκατάστασης.
	ΠΡΟΣΟΧΗ	
	ΠΡΟΣΟΧΗ	Αυτό το σύμβολο υποδηλώνει ότι υπάρχουν διαθέσιμες πληροφορίες, όπως το εγχειρίδιο λειτουργίας ή το εγχειρίδιο εγκατάστασης.

IV. ΠΡΟΕΙΔΟΠΟΙΗΣΕΙΣ ΣΧΕΤΙΚΑ ΜΕ ΤΟΝ ΚΑΘΑΡΙΣΜΟ ΚΑΙ ΤΗ ΣΥΝΤΗΡΗΣΗ

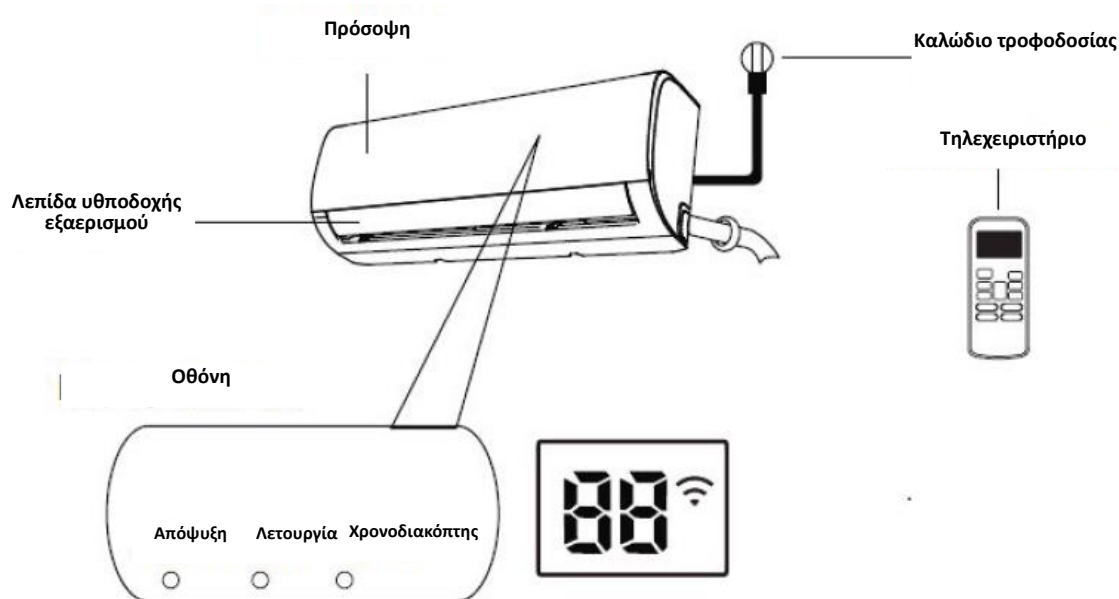
- Απενεργοποιήστε τη συσκευή και αποσυνδέστε το καλώδιο τροφοδοσίας πριν καθαρίσετε. Διαφορετικά ενδέχεται να προκαλέσετε ηλεκτροπληξία
Opriti aparatul și deconectați cablul de la priză înainte de curățare. În caz contrar puteți provoca o electrocutare.

- Μην καθαρίζετε το κλιματιστικό με υπερβολικές ποσότητες νερού.
- Μην καθαρίζετε το κλιματιστικό με εύφλεκτα προϊόντα καθαρισμού. Εύφλεκτα καθαριστικά μπορεί να προκαλέσουν πυρκαγιά ή παραμόρφωση.

ΠΡΟΣΟΧΗ

- Αν το κλιματιστικό χρησιμοποιείται μαζί με καυστήρες ή άλλες συσκευές θέρμανσης, αερίστε καλά το δωμάτιο για να αποφύγετε την έλλειψη οξυγόνου.
- Απενεργοποιήστε το κλιματιστικό και αποσυνδέστε το από την πρίζα εάν δεν θα χρησιμοποιηθεί για μεγάλο χρονικό διάστημα.
- Απενεργοποιήστε το κλιματιστικό και αποσυνδέστε το κατά τη διάρκεια καταιγίδων.
- Βεβαιωθείτε ότι το συμπυκνωμένο νερό μπορεί να αποστραγγιστεί από τη συσκευή χωρίς εμπόδια.
- Μην αγγίζετε το κλιματιστικό με βρεγμένα χέρια. Μπορεί να υποστείτε ηλεκτροπληξία.
- Μην χρησιμοποιείτε τη συσκευή για άλλους σκοπούς εκτός από τον προβλεπόμενο.
- Μην ανεβείτε και μην αποθηκεύετε αντικείμενα στην εξωτερική μονάδα.
- Μην αφήνετε το κλιματιστικό να λειτουργεί για μεγάλο χρονικό διάστημα με τα παράθυρα ή τις πόρτες ανοιχτές ή σε συνθήκες υψηλής υγρασίας.

V. ΧΑΡΑΚΤΗΡΙΣΤΙΚΑ ΤΗΣ ΣΥΣΚΕΥΗΣ



Απόψυξη - όταν η λειτουργία απόψυξης είναι ενεργοποιημένη.

Λειτουργία - όταν η συσκευή βρίσκεται σε λειτουργία.

Χρονοδιακόπτης - όταν ο χρονοδιακόπτης είναι ενεργοποιημένο.

☰ - όταν ενεργοποιείται η λειτουργία ασύρματου ελέγχου (μερικές μονάδες)

“88” ανάβει σταδιακά ένα ένα το E

C-0 – ρυθμισμένη θερμοκρασία – E - σε διαστήματα ενός δευτερολέπτου

Σε άλλες λειτουργίες, η συσκευή θα εμφανίσει τη θερμοκρασία που έχετε ορίσει. Στη λειτουργία ανεμιστήρα, η συσκευή θα εμφανίσει τη θερμοκρασία του περιβάλλοντα χώρου.

Σε περίπτωση σφάλματος εμφανίζεται ο κωδικός σφάλματος.

“ON” για 3 δευτερόλεπτα όταν:

- Η λειτουργία **TIMER** είναι ενεργοποιημένη
- Οι λειτουργίες **SWING, TURBO** ή **SILENCE** είναι ενεργοποιημένες

“OF” για 3 δευτερόλεπτα όταν:

- Η λειτουργία **TIMER** είναι απενεργοποιημένη
- Οι λειτουργίες **SWING, TURBO** ή **SILENCE** είναι απενεργοποιημένες

„cF” όταν η λειτουργία κατά του ψυχρού αέρα είναι ενεργοποιημένη

“dF,, κατά την απόψυξη

“SC” όταν η συσκευή ενεργοποιεί τον αυτόματο καθαρισμό

“s” όταν η προστασία κατά της ψύξης (Διατήρηση θερμοκρασίας στους 8 ° C) είναι ενεργοποιημένη

VI. ΕΠΙΤΕΥΞΗ ΒΕΛΤΙΣΤΗΣ ΑΠΟΔΟΣΗΣ

Η βέλτιστη απόδοση για τις λειτουργίες COOL, HEAT και DRY μπορεί να επιτευχθεί στις ακόλουθες κλίμακες θερμοκρασίας. Όταν το κλιματιστικό χρησιμοποιείται εκτός αυτών των κλιμάκων, θα ενεργοποιηθούν διάφορες λειτουργίες προστασίας και η συσκευή θα έχει χαμηλότερη απόδοση.

Τύπος inverter split

Λειτουργία COOL		Λειτουργία HEAT	Λειτουργία DRY
Θερμοκρασία δωματίου	17°C - 32°C (63°F - 90°F)	0°C - 30°C (32°F - 86°F)	10°C - 32°C (50°F - 90°F)
Εξωτερική θερμοκρασία	0°C - 50°C (32°F - 122°F)	-15°C - 30°C (5°F - 86°F)	0°C - 50°C (32°F - 122°F)
	-15°C - 50°C (5°F - 122°F) (Για μοντέλα με σύστημα ψύξης σε χαμηλές θερμοκρασίες.)		
	0°C - 60°C (32°F - 140°F) (Για ειδικά τροπικά μοντέλα)		0°C - 60°C (32°F - 140°F) (Για ειδικά τροπικά μοντέλα)

ΓΙΑ ΕΞΩΤΕΡΙΚΕΣ ΜΟΝΑΔΕΣ ΜΕ ΕΠΙΠΛΕΟΝ ΗΛΕΚΤΡΙΚΗ ΘΕΡΜΑΝΣΗ

Όταν η εξωτερική θερμοκρασία είναι κάτω από 0°C (32°F), σας συνιστούμε να κρατάτε τη συσκευή συνδεδεμένη μόνιμα στην ηλεκτρική πρίζα για να εξασφαλίσετε επαρκή συνεχή απόδοση.

	Λειτουργία COOL	Λειτουργία HEAT	Λειτουργία DRY
Θερμοκρασία δωματίου	17°-32°C (63°-90°F)	0°-30°C (32°-86°F)	10°-32°C (50°-90°F)
Εξωτερική θερμοκρασία	18°-43°C (64°-109°F)	-7°-24°C (19°-75°F)	11°-43°C (52°-109°F)
	-7°-43°C (19°-109°F) (Για μοντέλα με σύστημα ψύξης σε χαμηλές θερμοκρασίες)		18°-43°C (64°-109°F)
	18°-54°C (64°-129°F)		18°-54°C (64°-129°F)

Για καλύτερη βελτιστοποίηση της απόδοσης, ακολουθήστε τα πιο κάτω βήματα:

- Κρατήστε τις πόρτες και τα παράθυρα κλειστά.
- Μειώστε την κατανάλωση ενέργειας με τις λειτουργίες χρονοδιακόπτη.
- Μην εμποδίζετε τους αγωγούς εισαγωγής ή εξαγωγής αέρα.
- Ελέγχετε και καθαρίζετε τα φίλτρα περιοδικά

Άλλες λειτουργίες

- **Αυτόματη επανεκκίνηση**

Αν διακοπεί η τροφοδοσία ηλεκτρικού ρεύματος, η συσκευή θα επανεκκινήσει αυτόματα με τις προηγούμενες ρυθμίσεις μετά την επαναφορά της τροφοδοσίας.

- **Λειτουργία Follow me**

Το τηλεχειριστήριο θα εμφανίσει στην οθόνη τη θερμοκρασία ανάλογα με το πού βρίσκεται. Θα στείλει αυτό το σήμα στο κλιματιστικό σε διαστήματα 3 λεπτών μέχρι να πατηθεί ξανά το πλήκτρο Follow Me. Το κλιματιστικό θα εκπέμπει ένα σύντομο ηχητικό σήμα για να δείξει ότι το πρόγραμμα Follow Me έχει λήξει εάν δεν δεχθεί πλέον το σήμα σε διάστημα 7 λεπτών.

- **Self clean / Αυτόματος καθαρισμός**

Ενεργοποιεί / Απενεργοποιεί τη λειτουργία αυτόματου καθαρισμού. Μετά την χρήση της λειτουργίας ψύξης ή ξήρανσης, εάν ο χρήστης πιέσει το πλήκτρο "Self Clean" στο τηλεχειριστήριο, η εσωτερική μονάδα λειτουργεί αρχικά μόνο ως ανεμιστήρας, για λίγο χρόνο σε θέρμανση και τέλος λειτουργεί ξανά μόνο ως ανεμιστήρα. Αυτή η λειτουργία μπορεί να κρατήσει το εσωτερικό της εσωτερικής μονάδας ξηρή και μπορεί να αποτρέψει την εμφάνιση της μούχλας.

- **Μνήμη της γωνίας του πλέγματος προστασίας**

Όταν ενεργοποιείτε τη συσκευή, το πλέγμα θα τοποθετηθεί αυτόματα στη γωνία που είχε χρησιμοποιηθεί προηγουμένως.

- **Ανίχνευση διαρροής ψυκτικού υγρού**

Η εσωτερική μονάδα θα εμφανίσει αυτόματα "EC"

Η ένδειξη " timer " σβήνει και η ένδειξη " run " αναβοσβήνει 7 φορές όταν η συσκευή εντοπίσει διαρροή ψυκτικού.

Λεπτομέρειες σχετικά με άλλες λειτουργίες (όπως Turbo, Silence και διατήρηση θερμοκρασίας 8°C) μπορείτε να βρείτε στο εγχειρίδιο τηλεχειριστηρίου.

VII. ΡΥΘΜΙΣΗ ΤΗΣ ΓΩΝΙΑΚΗΣ ΡΟΗΣ ΑΕΡΑ

Ρύθμιση της κατακόρυφης γωνίας της ροής του αέρα

Όταν η συσκευή είναι ενεργοποιημένη, χρησιμοποιήστε το πλήκτρο SWING / DIRECT για να ρυθμίσετε την κατεύθυνση (κατακόρυφη γωνία) της ροής του αέρα.

1. Πατήστε το πλήκτρο SWING/DIRECT μια φορά για να ενεργοποιήσετε το πλέγμα προστασίας. Κάθε φορά που πατήσετε αυτό το πλήκτρο, το πλέγμα αλλάζει τη θέση της με 6°. Πατήστε το πλήκτρο μέχρι την επίτευξη της επιθυμητής θέσης.

2. Για να κάνετε το πλέγμα να ταλαντεύεται συνεχώς, κρατήστε πατημένο το πλήκτρο SWING / DIRECT για τρία δευτερόλεπτα. Πιέστε ξανά για να απενεργοποιήσετε την αυτόματη λειτουργία.

Ρύθμιση της οριζόντιας γωνίας της ροής του αέρα

Η οριζόντια γωνία ροής του αέρα πρέπει να ρυθμιστεί χειροκίνητα. Πιάστε την ράβδο εκτροπέα (βλέπε σχήμα Β) και ρυθμίστε τη χειροκίνητα στην επιθυμητή κατεύθυνση. Για ορισμένες συσκευές, η οριζόντια γωνία ροής αέρα μπορεί να ρυθμιστεί χρησιμοποιώντας το τηλεχειριστήριο. Ανατρέξτε στο εγχειρίδιο του τηλεχειριστηρίου.

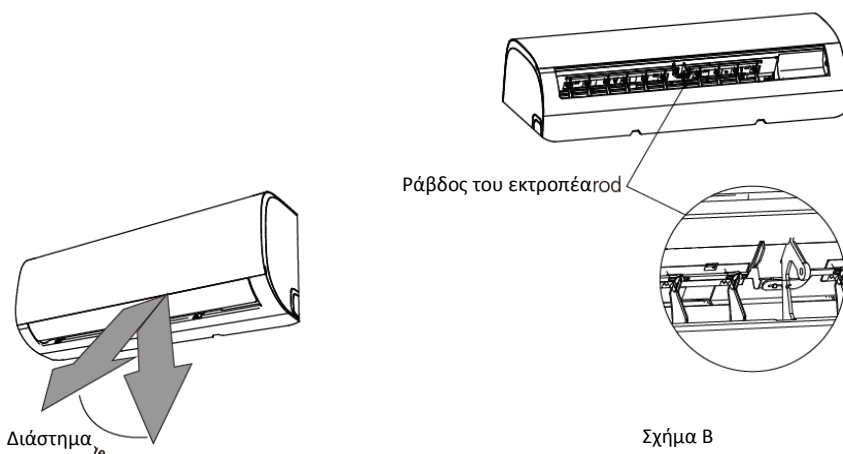
ΣΗΜΕΙΩΣΗ ΓΙΑ ΤΗΝ ΓΩΝΙΑ ΤΟΥ ΠΛΕΓΜΑΤΟΣ ΠΡΟΣΤΑΣΙΑΣ

Όταν χρησιμοποιείτε τη λειτουργία COOL ή DRY, μην ρυθμίζετε το πλέγμα σε κατακόρυφη θέση για μεγάλες χρονικές περιόδους. Διαφορετικά, το νερό θα συμπυκνώνεται στη λεπίδα του πλέγματος και θα ρέει στο πάτωμα ή στα έπιπλα. (βλέπε σχήμα Α)

Όταν χρησιμοποιείτε τη λειτουργία COOL ή DRY, αν ρυθμίσετε το πλέγμα σε κατακόρυφη θέση, η απόδοση της συσκευής μπορεί να μειώνεται λόγω λόγω απόφραξης της ροής του αέρα.

Μην μετακινείτε το πλέγμα με το χέρι. Διαφορετικά, το πλέγμα θα απόσυγχρονιστεί. Σε αυτήν την περίπτωση, απενεργοποιήστε τη συσκευή και αποσυνδέστε τη για μερικά δευτερόλεπτα και στη συνέχεια θέστε τη ξανά σε λειτουργία. Έτσι θα γίνει η επαναφορά του πλέγματος.

Προσοχή: Μην κρατάτε το πλέγμα σε κατακόρυφη θέση για μεγάλο χρονικό διάστημα. Διαφορετικά μπορεί να διαρρεύσει συμπύκνωμα νερού στα έπιπλα.



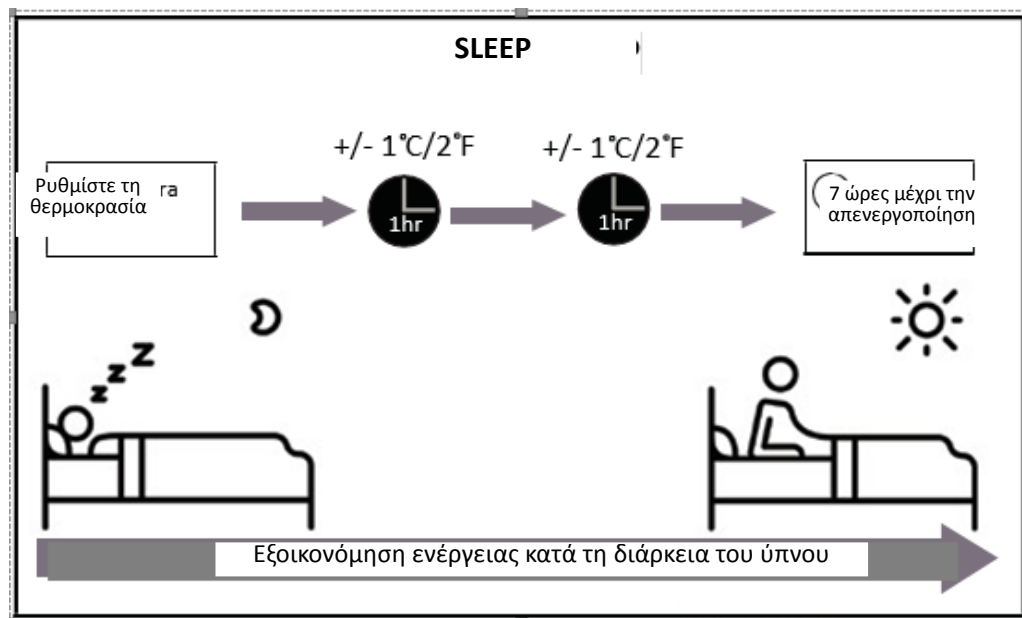
Λειτουργία SLEEP

Η λειτουργία SLEEP χρησιμοποιείται για τη μείωση της κατανάλωσης ενέργειας όταν κοιμάστε (και δεν χρειάζεστε την ίδια θερμοκρασία). Αυτή η λειτουργία μπορεί να ενεργοποιηθεί μόνο με το τηλεχειριστήριο.

Πατήστε το πλήκτρο SLEEP όταν είστε έτοιμοι για ύπνο. Στη λειτουργία COOL, η συσκευή θα αυξήσει τη θερμοκρασία με 1°C (2°F) μετά από 1 ώρα, και με άλλον 1°C (2°F) μετά από άλλη μια ώρα. Στη λειτουργία HEAT, η συσκευή θα μειώσει τη θερμοκρασία με 1°C (2°F) μετά από 1 ώρα, και με άλλον 1°C (2°F) μετά από άλλη μια ώρα.

Αυτή η θερμοκρασία θα διατηρηθεί για 5 ώρες, και μετά η συσκευή θα απενεργοποιηθεί αυτόματα.

Σημείωση: η λειτουργία SLEEP δεν είναι διαθέσιμη στην λειτουργία FAN ή DRY



VIII. Χειροκίνητη λειτουργία (χωρίς τηλεχειριστήριο)

Πώς να χειρίζεστε τη συσκευή χωρίς το τηλεχειριστήριο

Αν το τηλεχειριστήριο δεν λειτουργεί, η συσκευή μπορεί να λειτουργήσει χειροκίνητα, χρησιμοποιώντας το πλήκτρο MANUAL CONTROL στην εσωτερική μονάδα. Σημειώστε ότι η χειροκίνητη λειτουργία δεν είναι μακροπρόθεσμη λύση και συνιστάται η λειτουργία της συσκευής με το τηλεχειριστήριο

ΠΡΙΝ ΑΠΟ ΤΗ ΧΕΙΡΟΚΙΝΗΤΗ ΛΕΙΤΟΥΡΓΙΑ

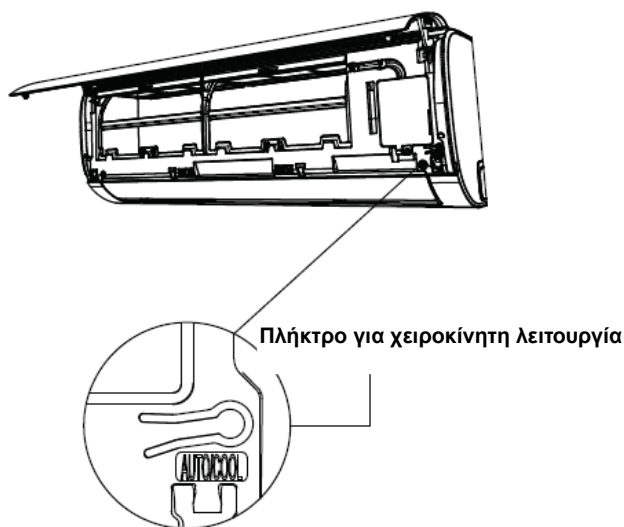
Πριν από τη χειροκίνητη λειτουργία, πρέπει να απενεργοποιήσετε τη συσκευή.

Για χειροκίνητη λειτουργία:

1. Ανοίξτε την πρόσοψη της εσωτερικής μονάδας.
2. Ψάξτε το πλήκτρο MANUAL CONTROL στο δεξί μέρος της εσωτερικής μονάδας.
3. Πατήστε το πλήκτρο MANUAL CONTROL μια φορά για ενεργοποίηση της λειτουργίας FORCED AUTO.
4. Πατήστε ξανά το πλήκτρο MANUAL CONTROL για ενεργοποίηση της λειτουργίας FORCED COOLING.
5. Πατήστε το πλήκτρο MANUAL CONTROL για Τρίτη φορά για απενεργοποίηση της συσκευής.
6. Κλείστε την πρόσοψη.

ΠΡΟΣΟΧΗ

Τι χειροκίνητο πλήκτρο απευθύνεται μόνο για πραγματοποίηση τεστ και λειτουργίας σε συνθήκες έκτακτης ανάγκης. Χρησιμοποιείτε τη λειτουργία αυτή μόνο εάν χάσετε το τηλεχειριστήριο και είναι απολύτως απαραίτητο. Για να επιστρέψετε στην κανονική λειτουργία, χρησιμοποιήστε το τηλεχειριστήριο για να εκκινήσετε το μηχάνημα.



ΙΧ. ΦΡΟΝΤΙΔΑ ΚΑΙ ΣΥΝΤΗΡΗΣΗ

Καθαρισμός της εσωτερικής μονάδας

ΠΡΙΝ ΤΟΝ ΚΑΘΑΡΙΣΜΟ ΚΑΙ ΤΗ ΣΥΝΤΗΡΗΣΗ

ΠΡΕΠΕΙ ΠΑΝΤΑ ΝΑ ΔΙΑΚΟΠΤΕΤΕ ΤΟ ΣΥΣΤΗΜΑ ΚΛΙΜΑΤΙΣΜΟΥ ΚΑΙ ΝΑ ΤΟ ΑΠΕΝΕΡΓΟΠΟΙΗΣΕΤΕ ΑΠΟ ΤΟ ΗΛΕΚΤΡΙΚΟ ΡΕΥΜΑ ΠΡΙΝ ΑΠΟ ΚΑΘΑΡΙΣΜΟ Ή ΤΗ ΣΥΝΤΗΡΗΣΗ

ΠΡΟΣΟΧΗ

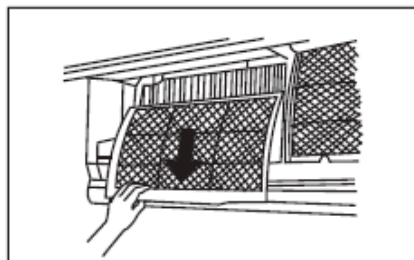
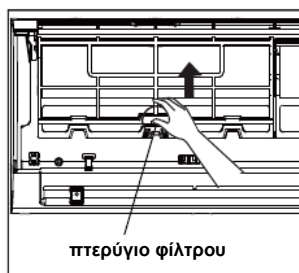
Για τον καθαρισμό, χρησιμοποιήστε μόνο ένα μαλακό, στεγνό πανί. Εάν η συσκευή είναι ιδιαίτερα βρώμικη, μπορείτε να χρησιμοποιήσετε ένα πανί εμποτισμένο με ζεστό νερό.

- Μη χρησιμοποιείτε χημικές ουσίες ή πανιά που έχουν υποστεί επεξεργασία με χημικές ουσίες
- Μην χρησιμοποιείτε βενζόλιο, διαχωριστικό, σκόνη λείανσης ή άλλους διαλύτες. Μπορούν να επιτεθούν ή να παραμορφώσουν την πλαστική επιφάνεια.
- Μην χρησιμοποιείτε νερό πάνω από 40 ° C (104 ° F) για τον καθαρισμό της πρόσοψης. Διαφορετικά, αυτή μπορεί να παραμορφωθεί ή να αποχρωματιστεί.

Καθαρισμός του φίλτρου αέρα

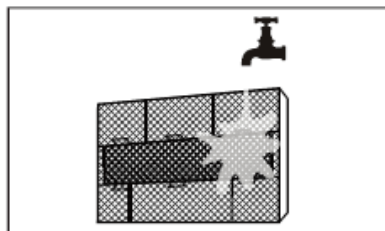
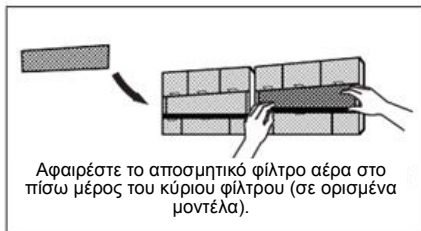
Ένα βουλωμένο κλιματιστικό μπορεί να μειώσει την απόδοση ψύξης και να βλάψει την υγεία σας. Το φίλτρο πρέπει να καθαρίζεται κάθε δύο εβδομάδες.

1. Ανασηκώστε την πρόσοψη της εσωτερικής μονάδας.
2. Πρώτα, στο πτερύγιο στο τέλος του φίλτρου για να χαλαρώσετε την κλειδαριά, σηκώστε την και τραβήξτε την προς το μέρος σας.
3. Βγάλτε το φίλτρο.
4. Αν το φίλτρο είναι εξοπλισμένο με μικρότερο φίλτρο αέρα, αφαιρέστε το από το μεγαλύτερο φίλτρο. Καθαρίστε αυτό το φίλτρο αέρα με ηλεκτρική σκούπα.
5. Καθαρίστε το μεγαλύτερο φίλτρο με ζεστό νερό και διάλυμα σαπουνιού. Χρησιμοποιήστε ένα μη επιθετικό απορρυπαντικό.
6. Ξεπλύνετε το φίλτρο με νερό και στη συνέχεια ανακινήστε την περίσσεια νερού.
7. Στεγνώστε το σε ξηρό και σκοτεινό μέρος και μην το εκθέτετε σε άμεσο ηλιακό φως.
8. Αφού στεγνώσει, επανατοποθετήστε το φίλτρο αέρα στο μεγαλύτερο φίλτρο και τοποθετήστε το στην εσωτερική μονάδα.
9. Κλείστε την πρόσοψη της εσωτερικής μονάδας.



ΠΡΟΣΟΧΗ

Μπορείτε να αγγίζετε το φίλτρο αέρα (πλάσμα) τουλάχιστον μετά από 10 λεπτά μετά την απενεργοποίηση της συσκευής. Μόνο για μονάδες με φίλτρο αέρα πλάσματος.

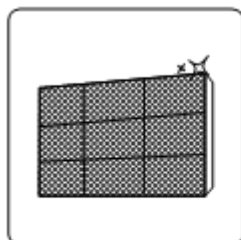


ΠΡΟΣΟΧΗ

- Πριν αλλάξετε ή καθαρίσετε το φίλτρο, απενεργοποιήστε τη συσκευή και αποσυνδέστε την από την παροχή ρεύματος.
- Κατά την αφαίρεση του φίλτρου, μην αγγίζετε τα μεταλλικά εξαρτήματα της συσκευής. Οι άκρες είναι αιχμηρές.
- Μην χρησιμοποιείτε νερό για να καθαρίσετε το εσωτερικό της συσκευής. Διαφορετικά μπορεί να προκληθεί ζημιά στη μόνωση και υπάρχει κίνδυνος ηλεκτροπληξίας.
- Για στέγνωση, μην εκθέτετε το φίλτρο σε άμεσο ηλιακό φως. Το φίλτρο μπορεί να συστέλλεται.

ΣΥΝΤΗΡΗΣΗ – μεγάλες περιόδοι αδράνειας

Εάν το κλιματιστικό θα παραμείνει αχρησιμοποίητο για μεγαλύτερο χρονικό διάστημα, ακολουθήστε τα ακόλουθα βήματα:



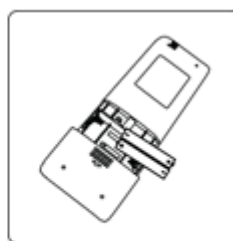
Καθαρίστε όλα τα φίλτρα



Αφήστε ενεργοποιημένη τη λειτουργία FAN έως ότου η μονάδα στεγνώσει τελείως



Απενεργοποιήστε τη συσκευή και αποσυνδέστε την από την παροχή ρεύματος



Αφαιρέστε τις μπαταρίες από το τηλεχειριστήριο

ΠΡΟΣΟΧΗ

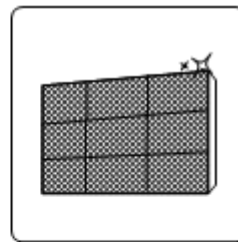
- Όλες οι εργασίες συντήρησης και καθαρισμού της εξωτερικής μονάδας πρέπει να εκτελούνται από εξουσιοδοτημένο αντιπρόσωπο ή εξουσιοδοτημένο τεχνικό.
- Όλες οι επισκευές πρέπει να εκτελούνται από εξουσιοδοτημένο αντιπρόσωπο ή εξουσιοδοτημένο τεχνικό.

ΣΥΝΤΗΡΗΣΗ - Επιθεώρηση πριν από τη χρήση

Μετά από μακρά περίοδο αδράνειας ή πριν από περιόδους συχνής χρήσης, ακολουθήστε τα ακόλουθα βήματα:



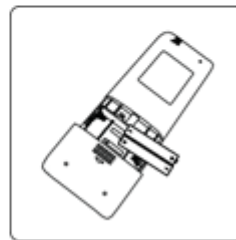
Ελέγξτε εάν τα καλώδια έχουν υποστεί ζημιά



Καθαρίστε όλα τα φίλτρα



Ελέγξτε για πιθανές διαρροές



Αντικαταστήστε τις μπαταρίες



Βεβαιωθείτε ότι δεν έχουν μπλοκαριστεί οι θύρες εισαγωγής και εξαγωγής

e

Χ. ΕΠΙΣΚΕΥΕΣ

ΜΕΤΡΑ ΑΣΦΑΛΕΙΑΣ

Σε περίπτωση που συμβεί μία από τις παρακάτω καταστάσεις, απενεργοποιήστε αμέσως τη συσκευή!

- Το καλώδιο τροφοδοσίας είναι κατεστραμμένο ή ασυνήθιστα ζεστό
- Μυρωδιά καύσης
- Η συσκευή εκπέμπει ισχυρούς ή ασυνήθιστους θορύβους
- Μια ασφάλεια ή ένας διακόπτης κυκλώματος ενεργοποιείται συχνά
- Πέφτει νερό ή άλλα αντικείμενα μέσα ή πάνω στη συσκευή

ΜΗΝ ΕΠΙΧΕΙΡΗΣΕΤΕ ΝΑ ΔΙΟΡΘΩΘΕΤΕ ΜΟΝΟΙ ΣΑΣ ΤΗΝ ΚΑΤΑΣΤΑΣΗ! ΕΠΙΚΟΙΝΩΝΗΣΤΕ ΑΜΕΣΑ ΜΕ ΕΞΕΙΔΙΚΕΥΜΕΝΟ ΤΕΧΝΙΚΟ!

Κοινά προβλήματα

Τα παρακάτω προβλήματα δεν αποτελούν ελαττώματα και στις περισσότερες περιπτώσεις δεν απαιτούν επισκευές.

Πρόβλημα	Πιθανές αιτίες
Η συσκευή δεν ξεκινά όταν πατήσετε το κουμπί ON / OFF	Η συσκευή διαθέτει λειτουργία προστασίας 3 λεπτών, η οποία εμποδίζει την υπερφόρτωση της συσκευής. Η συσκευή δεν μπορεί να επανεκκινηθεί εντός τριών λεπτών από τη διακοπή.
Η μονάδα μεταβαίνει από τη λειτουργία COOL / HEAT σε λειτουργία FAN	Η συσκευή μπορεί να αλλάξει τις ρυθμίσεις για να αποτρέψει τη δημιουργία πάγου. Μόλις η θερμοκρασία αυξηθεί, η συσκευή θα επανεκκινηθεί για να λειτουργήσει με τον προηγούμενο τρόπο λειτουργίας.
	Η ρυθμισμένη θερμοκρασία επιτυγχάνεται όταν η συσκευή διακόπτει τον συμπιεστή. Η συσκευή θα επανεκκινήσει τη λειτουργία της όταν η θερμοκρασία αλλάξει ξανά.
Η εσωτερική μονάδα εκπέμπει λευκή ομίχλη	Σε περιοχές με υψηλή υγρασία, μια μεγάλη διαφορά θερμοκρασίας μεταξύ του αέρα στο δωμάτιο και του κλιματισμού μπορεί να δημιουργήσει μια λευκή ομίχλη.
Και οι δύο μονάδες, τόσο η εσωτερική, όσο και η εξωτερική, εκπέμπουν μια λευκή ομίχλη	Όταν η συσκευή τίθεται ξανά σε χρήση στη λειτουργία ΘΕΡΜΑΝΣΗ μετά από απόψυξη, θα εκπέμπει μια λευκή ομίχλη λόγω της υγρασίας που προέρχεται από τη διαδικασία απόψυξης.

Η εσωτερική μονάδα εκπέμπει θορύβους	Μπορεί να δημιουργηθεί ένας θόρυβος ρεύματος αέρα όταν το προστατευτικό πλέγμα επαναφέρεται στη θέση του .
	Μπορεί να δημιουργηθεί έντονος θόρυβος μετά τη λειτουργία της συσκευής σε λειτουργία HEAT λόγω της επέκτασης και συστολής των πλαστικών εξαρτημάτων.
Και οι δύο μονάδες, τόσο η εσωτερική, όσο και η εξωτερική, εκπέμπουν θορύβους	Ένας ελαφρός θόρυβος κατά τη διάρκεια της λειτουργίας: Αυτό είναι φυσιολογικό και προκαλείται από το ψυκτικό αέριο που τρέχει μέσα από την εσωτερική μονάδα και την εξωτερική μονάδα.
	Ένας ελαφρός θόρυβος - σφύριγμα κατά την εκκίνηση, τη διακοπή ή την απόψυξη της συσκευής: Αυτό είναι φυσιολογικό και προκαλείται από το ψυκτικό αέριο που σταματά ή αλλάζει την κατεύθυνση.
	Αιχμηρός θόρυβος: Η κανονική επέκταση και συστολή των πλαστικών και των μεταλλικών εξαρτημάτων που προκαλούνται από τις αλλαγές θερμοκρασίας κατά τη λειτουργία μπορεί να προκαλέσει έντονους θορύβους.
Η εξωτερική μονάδα εκπέμπει θορύβους	Η συσκευή θα εκπέμπει διάφορους θορύβους ανάλογα με τον τρέχοντα τρόπο λειτουργίας.
Και οι δύο μονάδες, τόσο η εσωτερική, όσο και η εξωτερική, εκπέμπουν σκόνη	Η συσκευή μπορεί να συσσωρεύσει τη σκόνη κατά τη διάρκεια μεγάλων περιόδων αδράνειας, η οποία θα διασκορπιστεί όταν η συσκευή είναι ενεργοποιημένη. Αυτό μπορεί να αποφευχθεί καλύπτοντας τη συσκευή κατά τη διάρκεια παρατεταμένων περιόδων αδράνειας.
Η συσκευή εκπέμπει δυσάρεστες οσμές	Η συσκευή μπορεί να απορροφήσει περιβαλλοντικές οσμές (π.χ. έπιπλα, κουζίνα, κάπνισμα κλπ.) που θα απελευθερωθούν κατά τη λειτουργία της
	Τα φίλτρα της συσκευής είναι βρώμικα και πρέπει να καθαριστούν
Ο ανεμιστήρας της εξωτερικής μονάδας δεν λειτουργεί	Κατά τη λειτουργία, η ταχύτητα του ανεμιστήρα ελέγχεται για τη βελτιστοποίηση της απόδοσης του προϊόντος.
Η λειτουργία είναι ανομοιογενής, απρόβλεπτη ή η συσκευή δεν ανταποκρίνεται στις εντολές	Οι παρεμβολές από πύργους κινητής τηλεφωνίας και ενισχυτές σήματος μπορούν να προκαλέσουν δυσλειτουργίες της συσκευής. Σε αυτή την περίπτωση: <ul style="list-style-type: none"> • Αποσυνδέστε και επανασυνδέστε τη συσκευή από την / στην παροχή ρεύματος. • Πατήστε το πλήκτρο ON/OFF του τηλεχειριστηρίου για επανεκκίνηση της συσκευής.

ΣΗΜΕΙΩΣΗ: Εάν το πρόβλημα συνεχίζεται, επικοινωνήστε με τον τοπικό αντιπρόσωπο ή το πλησιέστερο κέντρο τεχνικής υποστήριξης. Δώστε μια λεπτομερή περιγραφή του προβλήματος και τον αριθμό μοντέλου.

Όταν προκύψουν προβλήματα, ελέγξτε τα παρακάτω πριν επικοινωνήσετε με ένα κέντρο επισκευών

Πρόβλημα	Πιθανή αιτία	Λύση
Χαμηλή απόδοση ψύξης	Η θερμοκρασία έχει ρυθμιστεί σε υψηλότερη τιμή από τη θερμοκρασία περιβάλλοντος	Μειώστε τη ρυθμισμένη τιμή θερμοκρασίας
	Ο εναλλάκτης θερμότητας της εσωτερικής ή εξωτερικής μονάδας είναι βρώμικος	Καθαρίστε τον εναλλάκτη θερμότητας
	Το φίλτρο αέρα είναι βρώμικο	Αφαιρέστε το φίλτρο και καθαρίστε το σύμφωνα με τις οδηγίες
	Τα στόμια της εισόδου εισαγωγής ή εξαγωγής αέρα μιας από τις μονάδες είναι μπλοκαρισμένα	Απενεργοποιήστε τη συσκευή, αφαιρέστε τα εμπόδια και επανεκκινήστε τη συσκευή
	Οι πόρτες και τα παράθυρα είναι ανοιχτά	Βεβαιωθείτε ότι όλες οι πόρτες και τα παράθυρα είναι κλειστά κατά τη διάρκεια της λειτουργίας της συσκευής
	Το ηλιακό φως δημιουργεί υπερβολική θερμότητα	Κλείστε τα παράθυρα και τραβήξτε τις κουρτίνες σε πολύ ζεστό ή ηλιόλουστο καιρό
	Πάρα πολλές πηγές θερμότητας στο δωμάτιο (άνθρωποι, υπολογιστές, ηλεκτρονικές συσκευές, κ.λπ.)	Μειώστε τον αριθμό των πηγών θερμότητας
	Χαμηλή στάθμη ψυκτικού μέσου λόγω διαρροής ή παρατεταμένης χρήσης	Ελέγξτε για διαρροές, επανασφραγίστε εάν είναι απαραίτητο και ξαναγεμίστε τη συσκευή με ψυκτικό αέριο.

Πρόβλημα	Πιθανή αιτία	Λύση
Η συσκευή δεν λειτουργεί	Διακοπή της παροχής ρεύματος	Περιμένετε την επαναφορά της παροχής ρεύματος
	Η συσκευή είναι απενεργοποιημένη	Ενεργοποιήστε τη συσκευή
	Καμένη ασφάλεια	Αντικαταστήστε την ασφάλεια
	Οι μπαταρίες του τηλεχειριστηρίου έχουν αποφορτιστεί	Αντικαταστήστε τις μπαταρίες
	Η προστασία των 3 λεπτών της συσκευής έχει ενεργοποιηθεί	Περιμένετε 3 λεπτά πριν την επανεκκίνηση της συσκευής
	Ο χρονοδιακόπτης είναι ενεργοποιημένος	Απενεργοποιήστε το χρονοδιακόπτη
Η συσκευή ξεκινά και σταματάει συχνά	Υπάρχει υπερβολικό ή πολύ λίγο ψυκτικό στο σύστημα	Ελέγξτε για διαρροές και γεμίστε τη συσκευή με ψυκτικό.
	Αέρια ή υγρασία εισήλθαν στο σύστημα	Αδειάστε και ξαναγεμίστε τη συσκευή με ψυκτικό μέσο.
	Ο συμπιεστής είναι ελαττωματικός	Αντικαταστήστε τον συμπιεστή
	Η τάση είναι πολύ υψηλή ή πολύ χαμηλή	Τοποθετήστε έναν ρυθμιστή τάσης
Χαμηλή απόδοση θέρμανσης	Η εξωτερική θερμοκρασία είναι εξαιρετικά χαμηλή	Χρησιμοποιήστε πρόσθετες συσκευές θέρμανσης
	Ο ψυχρός αέρας διαπερνά τις πόρτες και τα παράθυρα	Βεβαιωθείτε ότι όλες οι πόρτες και τα παράθυρα είναι κλειστά κατά τη διάρκεια της λειτουργίας της συσκευής
	Χαμηλή στάθμη ψυκτικού μέσου λόγω διαρροής ή χρήσης	Ελέγξτε για διαρροές, επανασφραγίστε εάν είναι απαραίτητο και ξαναγεμίστε τη συσκευή με ψυκτικό
Οι ενδεικτικές λυχνίες αναβοσβήνουν	<p>Η συσκευή ενδέχεται να κλείσει ή να συνεχίσει να λειτουργεί σε συνθήκες ασφαλείας. Εάν οι ενδεικτικές λυχνίες συνεχίσουν να αναβοσβήνουν ή εμφανίζονται κωδικοί σφάλματος, περιμένετε περίπου 10 λεπτά. Το πρόβλημα μπορεί να λυθεί από μόνο του. Διαφορετικά, αποσυνδέστε και επανασυνδέστε τη συσκευή από / στην παροχή ρεύματος. Ενεργοποιήστε τη συσκευή.</p> <p>Εάν το πρόβλημα συνεχίζεται, αποσυνδέστε τη συσκευή από την πηγή τροφοδοσίας και επικοινωνήστε με το πλησιέστερο κέντρο τεχνικής υποστήριξης.</p>	
Οι κωδικοί σφάλματος εμφανίζονται στην οθόνη της εσωτερικής μονάδας:		
<ul style="list-style-type: none"> • E0, E1, E2... • P1, P2, P3... • F1, F2, F3... 		

ΣΗΜΕΙΩΣΗ: Εάν το πρόβλημα συνεχίζεται μετά την εκτέλεση των παραπάνω ελέγχων, απενεργοποιήστε αμέσως τη συσκευή και επικοινωνήστε με ένα εξουσιοδοτημένο κέντρο σέρβις.

ΧΙ. ΤΕΧΝΙΚΑ ΧΑΡΑΚΤΗΡΙΣΤΙΚΑ

	HAC-CR09WHN HAC-09CRKIT	HAC-CR12WHN HAC-CR12WIFI HAC-12CRKIT	HAC-CR18WIFI	HAC-CR24WIFI
Ισχύς	100-1240 W	130-1580 W	140-2360 W	160-2960 W
Τροφοδοσία	220-240V, 50Hz	220-240V, 50Hz	220-240V, 50Hz	220-240V, 50Hz
Ψυκτική	9000 BTU	12000 BTU	18000 BTU	24000 BTU
Επίπεδο θορύβου	53/61dB	53/65dB	55/61dB	59/67dB
Χρώμα	Άσπρο	Άσπρο	Άσπρο	Άσπρο



Απόρριψη των απόβλητων προστατεύοντας το περιβάλλον

Μπορείτε να βοηθήσετε στην προστασία του περιβάλλοντος!

Παρακαλούμε να τηρήσετε τους τοπικούς κανονισμούς: διαθέστε το μη λειτουργικό ηλεκτρικό εξοπλισμό σας σε ένα κέντρο συλλογής των ηλεκτρικών αποβλήτων.



HEINNER είναι σήμα κατατεθέν της εταιρείας **Network One Distribution SRL**. Τα άλλα σήματα και τα ονόματα των προϊόντων αποτελούν εμπορικά σήματα ή σήματα κατατεθέντα των σχετικών δικαιούχων.

Δεν επιτρέπεται η αναπαραγωγή κανενός μέρους των προδιαγραφών με καμιά μορφή ή τρόπο ούτε μπορεί να χρησιμοποιηθεί για την απόκτηση παραγωγών όπως μετάφραση, μετατροπή, προσαρμογή, χωρίς την προηγούμενη συγκατάθεση της εταιρείας NETWORK ONE DISTRIBUTION.

Copyright © 2013 Network One Distribution. Όλα τα δικαιώματα διατηρούνται.

www.heinner.com, <http://www.nod.ro>



Αυτό το προϊόν σχεδιάστηκε και κατασκευάστηκε σύμφωνα με τα πρότυπα και τους κανονισμούς της Ευρωπαϊκής Κοινότητας.

Εισαγωγέας: **Network One Distribution**

Str. Marcel Iancu, nr. 3-5, București, România

Τηλ.: +40 21 211 18 56, www.heinner.com, www.nod.ro