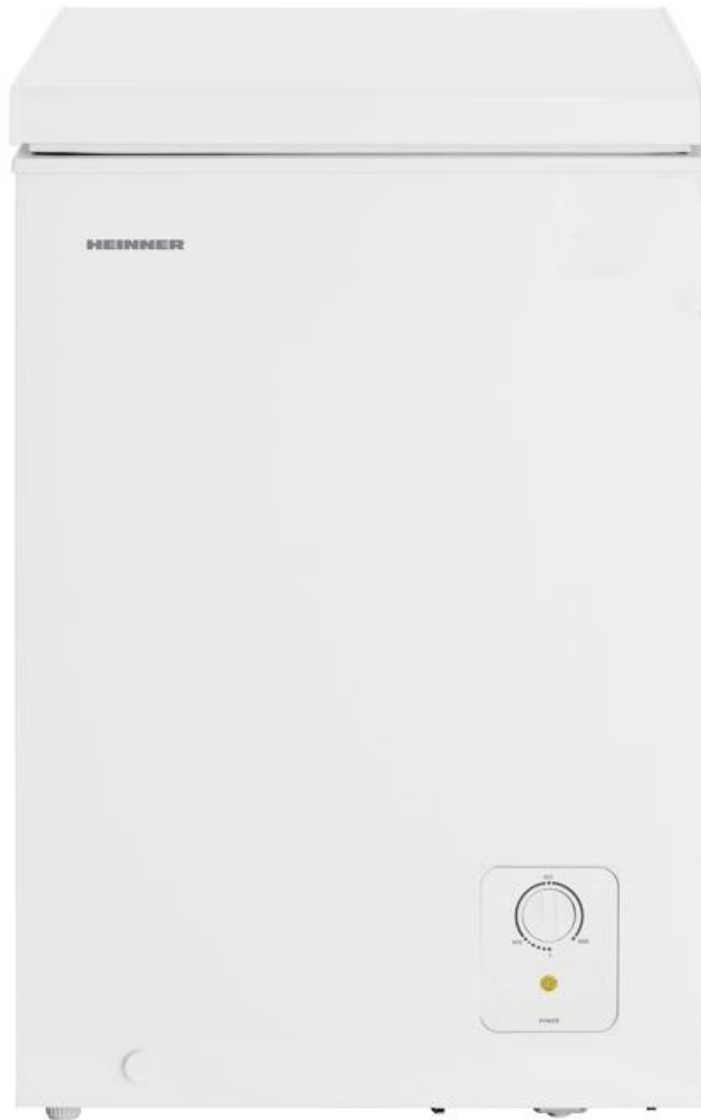


# CHEST FREEZER

Model:  
**HCF-HS95E++**



- Total capacity: 95 L
- Energy class: E

**HEINNER**

## 1. INTRODUCTION

Please read the instructions carefully and keep the manual for future information.

This manual is designed to give all necessary instructions concerning installation, use and maintenance of the unit. In order to operate the unit correctly and safely, please read this instruction manual carefully before installation and use.

## 2. CONTENT OF YOUR PACKAGE

- ➔ **Chest freezer**
- ➔ **User manual**
- ➔ **Certificate of warranty**

## 3. SAFETY INFORMATION

For your safety and correct usage before installing and first using the appliance, read this user manual carefully, including its hints and warnings. To avoid unnecessary mistakes and accidents, it is important to make sure that all people using the appliance are thoroughly familiar with its operation and safety features. Save these instructions and be sure that they remain with the appliance if it is moved or sold, so that anyone using it throughout its life, will be properly informed on its usage and safety notices. For the safety of life and property, keep the precautions of these user's instructions as the manufacturer is not responsible for damages caused by omission.

### Safety for children and others who are vulnerable people

#### According to EN standard

This appliance can be used by children aged from 8 years and above and persons with reduced physical, sensory, or mental capabilities or lack of experience and knowledge if they have been given supervision or instruction concerning use of the appliance in a safe way and understand the hazards involved. Children shall not play with the appliance. Cleaning and user maintenance shall not be made by children without supervision.

#### According to IEC standard

This appliance is not intended for use by persons (including children) with reduced physical, sensory, or mental capabilities, or lack of experience and knowledge, unless they have been given supervision or instruction concerning use of the appliance by a person responsible for their safety.

Keep all packaging away from children as there is risk of suffocation.

If you are discarding the appliance, pull the plug out of the socket, cut the connection cable (as close to the appliance as you can) and remove the door to prevent children playing from suffering an electric shock or from closing themselves inside it.

If this appliance, featuring a magnetic door seal, is to replace an older appliance having a spring lock (latch) on the door or lid, be sure to make the spring lock unusable before you discard the old appliance. This will prevent it from becoming a death trap for a child.

Children aged from 3 to 8 years are allowed to load and unload refrigerating appliances (this clause applies only to the EU region).

### General safety

Warning! This appliance is intended to be used in household and similar applications such as:

1. staff kitchen areas in shops, offices, and other working environments;
2. farmhouses and by clients in hotels, motels, and other residential type environments;
3. bed and breakfast type environments;
4. catering and similar non-retail applications.

Warning! Do not store explosive substances such as aerosol cans with a flammable propellant in this appliance.

Warning! If the supply cord is damaged, it must be replaced by the manufacturer, its service agent, or similarly qualified persons in order to avoid a hazard.

Warning! Keep ventilation openings, in the appliance enclosure or in the built-in structure, clear of obstruction.

Warning! Do not use mechanical devices or other means to accelerate the defrosting process, other than those recommended by the manufacturer.

Warning! Do not damage the refrigerant circuit.

Warning! Do not use electrical appliances inside the food storage compartments of the appliance, unless they are of the type recommended by the manufacturer.

Warning! The refrigerant and insulation blowing gas are flammable. When disposing of the appliance, do so only at an authorized waste disposal centre. Do not expose to flames.

Warning! The refrigerant and insulation blowing gas are flammable. When disposing of the appliance, do so only at an authorized waste disposal centre. Do not expose to flames.

Warning! When positioning the appliance, ensure the supply cord is not trapped or damaged.

Warning! Do not locate multiple portable socket-outlets or portable power supplies at the rear of the appliance.

## Replacing the illuminating lamps

The illuminating lamps must not be replaced by the user! If the illuminating lamps is damaged, contact the customer helpline for assistance. This warning is only for freezer that contain illuminating lamps.

## Refrigerant

The refrigerant circuit of the appliance contains refrigerant R600a (isobutane) or R290 or R134a, which are gases with a high level of environmental compatibility, R600a and R290 being flammable. During transport and installation of the appliance, ensure that none of the refrigeration circuit components are damaged. Refrigerants R600a and R290 are flammable.

Warning! Refrigerators contain refrigerant and gases in the insulation. Refrigerant and gases must be disposed of professionally as they may cause eye injuries or ignition. Ensure that tubing of the refrigerant circuit is not damaged prior to proper disposal.

Warning!



Risk of fire / flammable materials If the refrigerant circuit should be damaged:

1. Avoid opening flames and sources of ignition.
2. Thoroughly ventilate the room in which the appliance is situated.

It is dangerous to alter the specifications or modify this product in any way. Any damage to the cord may cause a short-circuit, fire, and/or electric shock.

## Electrical safety

1. The power cord must not be lengthened.
2. Make sure that the power plug is not crushed or damaged. A crushed or damaged power plug may overheat and cause a fire.
3. Make sure that you can access the main plug of the appliance.
4. Do not pull the main cable.
5. If the power plug socket is loose, do not insert the power plug. There is a risk of electric shock or fire.
6. You must not operate the appliance without the interior lighting lamp cover.
7. The freezer is designed for use with a single-phase 220-240V/50Hz AC power supply. If the voltage fluctuation in the user's area is so great that the voltage exceeds the above range, for safety's sake, the refrigerator must be fitted with an automatic AC voltage regulator of more than 350 W. The refrigerator must use a special socket instead of the one shared with other electrical appliances. Its plug must fit into the socket with the earthing conductor.

## Daily use

- Do not store flammable gases or liquids in the appliance. There is a risk of an explosion.
- Do not operate any electrical appliances in the appliance (e.g. electric ice cream makers, mixers etc.).
- When unplugging always pull the plug from the mains socket, do not pull on the cable.
- Do not place hot items near the plastic components of this appliance.
- This refrigerating appliance is not intended to be used as a built-in appliance.
- Do not place food products directly against the air outlet on the rear wall.
- Store pre-packed frozen food in accordance with the frozen food manufacturer's instructions.
- The manufacturer's storage recommendations must be strictly adhered to. Refer to the relevant storage instructions.
- Do not place carbonated or fizzy drinks in the freezer compartment as it creates pressure on the container, which may cause it to explode, resulting in damage to the appliance.
- Store pre-packed frozen food in accordance with the frozen food manufacturer's instructions.
- The manufacturer's storage recommendations must be strictly adhered to. Refer to the relevant storage instructions.
- Do not place carbonated or fizzy drinks in the freezer compartment as it creates pressure on the container, which may cause it to explode, resulting in damage to the appliance.
- Frozen food can cause frost burns if consumed straight from the freezer compartment.
- Do not place the appliance in direct sunlight.
- Keep burning candles, lamps, and other items with naked flames away from the appliance so that do not set the appliance on fire.
- The appliance is intended for keeping food stuff and/or beverages in normal household as explained in this instruction booklet.
- The appliance is heavy. Care should be taken when moving it.
- Do not remove nor touch items from the freezer compartment if your hands are damp/wet, as this could cause skin abrasions or frost/freezer burns.
- Never use the base, drawers, doors etc. to stand on or as supports.
- Frozen food must not be refrozen once it has been thawed out.
- Do not consume ice popsicles or ice cubes straight from the freezer as this can cause freezer burn to the mouth and lips.
- To avoid items falling and causing injury or damage to the appliance, do not overload the door racks or put too much food in the crisper drawers.

## Care and cleaning

- Before maintenance, switch off the appliance and disconnect the mains plug from the mains socket.
- Do not clean the appliance with metal objects, steam cleaner, ethereal oils, organic solvents or abrasive cleansers.
- Do not use sharp objects to remove frost from the appliance. Use a plastic scraper.

## Installation

- For electrical connection carefully, follow the instructions given in this manual. Unpack the appliance and check if there are damages on it.
- Do not connect the appliance if it is damaged. Report possible damages immediately to the place you bought it. In this case retain packing.
- It is advisable to wait at least four hours before connecting the appliance to allow the oil to flow back in the compressor.
- Adequate air circulation should be around the appliance, lacking this leads to overheating. To achieve sufficient ventilation, follow the instructions relevant to installation.
- Wherever possible the back of the product should not be too close to a wall to avoid touching or catching warm parts (compressor, condenser) to prevent the risk of fire, follow the instructions

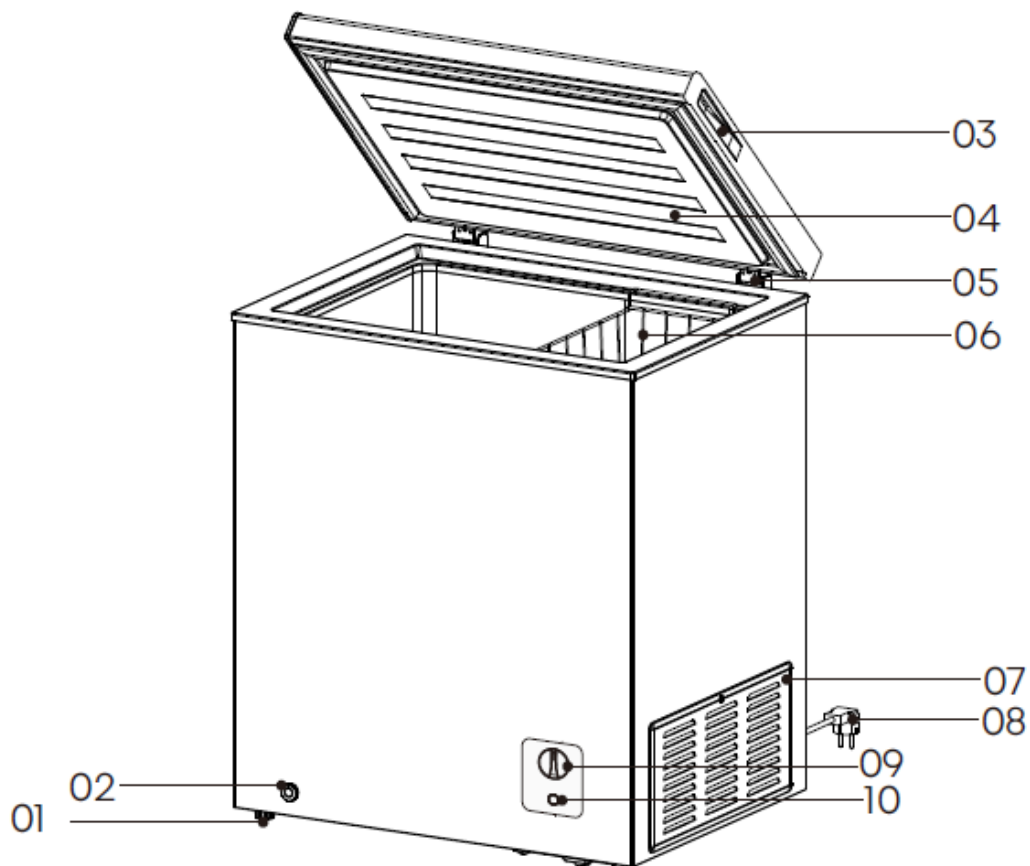
relevant to installation.

- The appliance must not be located close to radiators or cookers.
- Make sure that the mains plug is accessible after the installation of the appliance.

## Service

- Any electrical work required to do the servicing of the appliance should be carried out by qualified electrician or competent person.
- This product must be serviced by an authorized Service Centre, and only genuine spare parts must be used.
  1. If the appliance is Frost Free.
  2. If the appliance contains freezer compartment.

## 4. PRODUCT DESCRIPTION



1. Foot	6. Basket
2. Drain	7. Side cover
3. Door handle	8. Power supply cord
4. Door	9. Temperature control knob
5. Hinge	10. Power lamp

- Due to constant development of our products, your refrigerator may be slightly different from this instruction manual, but its functions and usage remain the same.
- To get the best energy efficiency of this product, please place all shelves, drawers on their original position as the illustration above.
- Never touch the interior of the freezer chamber or frozen foods in the compartment with wet hands as this could result in frostbite.

## 5. INSTALLATION

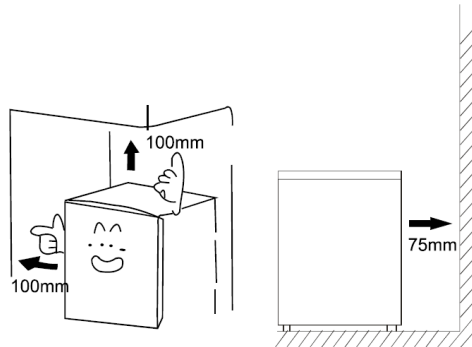
Before using the appliance for the first time, you should be aware of the following tips.

### Ventilation of appliance

To improve the efficiency of the cooling system and save energy, it is necessary to maintain good ventilation around the unit to dissipate heat. For this reason, there should be sufficient free space around the freezer.

Suggestion:

It is advisable for there to be 75 mm of space from the back to the wall, at least 100 mm from its side to the wall.



Note:

This appliance performs well in the climate class from SN to ST or T (please refer to the climate type marked on the parameter nameplate on the back of the product). It may not work properly if being left at a temperature above or below the indicated range for a long period.

Climateclass	Ambient temperature
SN	+10°C to +32°C
N	+16°C to +32°C
ST	+16°C to +38°C
T	+16°C to +43°C

Stand your appliance in a dry place to avoid high moisture damage. Keep the appliance out of direct sunlight, rain or frost. Stand the appliance away from heat sources such as stoves, fires or heaters.

### Levelling of appliance

For sufficient levelling and air circulating in the lower rear section of the appliance, the bottom feet may need to be adjusted. Please use a suitable spanner.

This section tells you how to use most of the useful features. We recommend that you read through them carefully before using the appliance.

Warning! For proper installation, this refrigerator must be placed on a level surface of hard material that is the same height as the rest of the flooring. This surface should be strong enough to support a fully loaded.

### Using your freezer compartment

- The compartment is suitable for storage of foods required to be frozen, such as meat, fish, ice cream and other perishable items.
- Caution! Ensure that bottles are not left in the freezer for longer than needed as freezing may cause the bottle break. Bottled or canned liquid are at risk of exploding caused by volume expansion and so should not be stored in the freezer compartment.

## Before use

- Remove shipping package, tape, etc, and leave doors open for a while in order to ventilate the appliance. The unit is cleaned before shipment.
- However, it is recommended to clean the compartment interior once after delivery.
- Please insert power supply plug into the wall outlet, type "grounded single-phase 220-240 V".
- Allow the unit to operate for about 1 hour to cool the compartment before placing items in the appliance.
- Wait 5 minutes or more before restarting.
- Restarting the unit immediately after it has been turned off may cause fuses to blow and activate the circuit-breaker, the compressor may become overloaded, and/or other damage may occur.

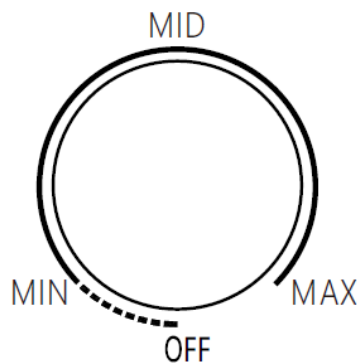
## Warning

- Do not use the unit to store water or food that requires water as a storage medium.
- Never place fresh seafood containing water into the unit directly.

## 6. TEMPERATURE ADJUSTMENT

- Thermostat was adjusted using temperature at factory. So, please do not touch it. Excessive refrigeration will increase electricity consumption unnecessarily.
- If need to adjust the temperature, please turn the temperature control dial in the direction of MAX. If too cold, turn dial in the direction of MIN.
- When you need the unit to stop running temporarily, please turn the temperature control dial in the direction of OFF/0/put off the plug.
- In order to quickly freeze fresh food in the freezer, it is recommended to run at the maximum range for 24 hours before returning to the middle range.

Note: High temperature setting will accelerate food waste.



## 7. CLEANING AND CARE

For hygienic reasons the appliance (including exterior and interior accessories) should be cleaned regularly (at least every two months).

Warning:

- The appliance must not be connected to the mains during cleaning. Danger of electrical shock!
- Before cleaning switch off the appliance and remove the plug from the mains socket.

### Exterior cleaning

To maintain good appearance of your appliance, you should clean it regularly.

- Wipe the digital panel and display panel with a clean, soft cloth.
- Spray water onto the cleaning cloth instead of spraying directly on the surface of the appliance. This

helps ensure an even distribution of moisture to the surface.

- Clean the doors, handles and cabinet surfaces with a mild detergent and then wiped dry with a soft cloth.

Warning:

- Do not use sharp objects as they are likely to scratch the surface. Do not use thinner, car detergent.
- Clorox, ethereal oil, abrasive cleansers, or organic solvent such as Benzene for cleaning. They may damage the surface of the appliance and may cause fire.

## Interior cleaning

- You should clean the appliance interior regularly. It will be easier to clean when food stocks are low. You can remove the shelves or basket for a more thorough clean.
- Wipe the inside of the freezer with a weak solution of bicarbonate of soda, and then rinse with warm water using a wrung-out sponge or cloth. Wipe completely dry before replacing the shelves or basket.
- Thoroughly dry all surfaces and removable parts before putting them back into place.

## Cleaning before use

Before using the appliance for the first time, wash the interior and all internal accessories with lukewarm water and some neutral soap so as to remove the typical smell of a brand new product, then dry thoroughly.

## Defrosting

You should defrost the freezer compartment two or three times a year when the ice is about 4 mm thick. To defrost, follow these steps:

- Set the thermostat to Maximum gear at least 12 hours before defrosting.
- After this period has elapsed, switch off the freezer compartment by removing the plug from the mains supply.
- Remove all food from the freezer and wrap them in newspaper and store in a cold place and leave the door open.
- When the defrosting is finished must the compartment be cleaned and wiped dry.
- Switch the appliance back on using the thermostat set to Maximum gear, wait at least one hour before replacing the foodstuff.
- After some hours the thermostat can be set back to original position.

Warning:

- Do not use mechanical devices or other artificial means to accelerate the defrosting process, other than those recommended by the manufacturer.
- Do not use electrical appliance inside the food storage of the appliances, unless they are of the type recommended by the manufacturer.

## Checks

To ensure the safety, perform the following checks after cleaning the unit:

- Is the power cord plug firmly inserted into a dedicated wall outlet? Confirm that the plug is not abnormally hot.
- Check the power cord for cracks and damage. Should the slightest irregularity be observed, contact the dealer from whom you purchased this unit or our customer's service department.

## Door seals cleaning

Take care to keep the door seals clean.

Sticky food and drink can cause seals to stick to the cabinet and tear when the door is opened.

Wash the seals with a mild detergent and warm water.

Rinse and dry thoroughly after cleaning.



## 8. HELPFUL HINTS AND TIPS

### Energy saving tips

We recommend that you follow the tips to save energy.

- Try to avoid leaving the door open for long periods to save energy.
- Ensure the appliance is away from any sources of heat (direct sunlight, electric oven or cooker etc.)
- Do not set the temperature lower than necessary.
- Do not store hot food or evaporating liquids in the appliance.
- Place the appliance in a well ventilated, humidity free room. Please refer to the chapter on how to install your new appliance.
- The description of appliance diagram shows the correct combination for the drawers, crisper basket and shelves, do not adjust the combination as this is designed to be the most energy efficient configuration.

### Hints for fresh food refrigeration

- Do not place hot food directly into the refrigerator or freezer, the internal temperature will increase resulting in the compressor having to work harder and will consume more energy.
- Do cover or wrap the food, particularly if it has a strong flavour.
- Place food properly so that air can circulate freely around it.
- Ensure that frozen food has been stored correctly by the food retailer.
- Once defrosted, food will deteriorate rapidly and should not be re-frozen.
- Do not exceed the storage period indicated by the food manufacturer.

### Storage the food

To avoid contamination of food, please respect the following instructions

- When refrigerating food, please be careful not to contact the surface of the inner box directly.
- When frozen food, in order to prevent moisture loss, prevent the odour, should separate the different food sealed storage, and can only use non-toxic, tasteless, impermeable, waterproof sealing material.
- Hot food should be cooled to room temperature first, then put into the freezer, otherwise it will affect the storage status of other foods and increase the power consumption.
- Opening the door for long periods can cause a significant increase of the temperature in the compartments of the appliance.
- Clean regularly surfaces that can come in contact with food and accessible drainage systems.
- Store raw meat and fish in suitable containers in the refrigerator, so that it is not in contact with or drip onto other food.
- Two-star frozen-food compartments are suitable for storing pre-frozen food, storing or making icecream and making ice cubes.
- One-, two- and three-star compartments are not suitable for the freezing of fresh food.

Order	Compartments type	Target storage temp.[°C]	Appropriate food
1	Fridge	+2~+6	Eggs, cooked food, packaged food, fruits and vegetables, dairy products, cakes, drinks and other foods which are not suitable for freezing.
2	(***)*-Freezer	≤-18	Seafood (fish, shrimp, shellfish), freshwater aquatic products and meat products (recommended for 3 months ,the longer the storage time, the worse the taste and nutrition), suitable for frozen fresh food.

3	***-Freezer	≤-18	Seafood (fish, shrimp, shellfish), freshwater aquatic products and meat products (recommended for 3 months, the longer the storage time, the worse the taste and nutrition), are not suitable for frozen fresh food.
4	** -Freezer	≤-12	Seafood (fish, shrimp, shellfish), freshwater aquatic products and meat products (recommended for 2 months, the longer the storage time, the worse the taste and nutrition), are not suitable for frozen fresh food.
5	*-Freezer	≤-6	Seafood (fish, shrimp, shellfish), freshwater aquatic products and meat products (recommended for 1 month, the longer the storage time, the worse the taste and nutrition), are not suitable for frozen fresh food.

Warning! Foods must be packed in bags before being placed in the freezer, and liquids must be packed in bottles or capped containers to avoid the problem of the product structure not being easy to clean. Please store different foods according to the compartments or target storage temperature of your purchased products. Please store different foods according to the shelf or target storage temperature of the products you have purchased.

### Switching off your appliance

If the appliance needs to be switched off for an extended period, the following steps should be taken to prevent mould on the appliance.

1. Remove all food.
2. Remove the power plug from the mains socket.
3. Clean and dry the interior thoroughly.
4. Ensure that all the doors are wedged open slightly to allow air to circulate.

### Disposal of the appliance

It is prohibited to dispose of this appliance as household waste.

#### Packaging materials

Packaging materials with the recycle symbol are recyclable. Dispose of the packaging into a suitable waste collection container to recycle it.

#### Before disposal of the appliance


1. Pull out the mains plug from the mains socket.
2. Unplug the power cord and discard the plug.

Warning! The freezer contains refrigerant and gases in the insulation. Refrigerant and gases must be disposed of properly as they can cause eye injury or ignition. Ensure that the pipes of the refrigerant circuit are not damaged before proper disposal.

## 9. TROUBLESHOOTING

If you are experiencing a problem with your unit, or are concerned that it is not working properly, there are some simple checks you can carry out before calling for service, see below. There are some simple checks you can carry out before calling for service, as described in this section.

**WARNING!** Do not attempt to repair the unit yourself. If the problem persists after you have carried out the following checks, contact an authorised service centre.

Problem	Possible cause & solution
Appliance is not working correctly	Check whether the power cord is plugged into the power outlet properly, or the temperature control turn to OFF, Off or 0.
	Check the fuse or circuit of your power supply, replace if necessary.
	The ambient temperature is too low. Try setting the chamber temperature to a colder level to solve this problem.
Odours from the compartments	The interior may need to be cleaned.
	Some food, containers or wrapping cause odours.
Noise from the appliance	The sounds below are quite normal: <ul style="list-style-type: none"> <li>• Compressor running noises.</li> <li>• Air movement noise from the small fan motor in the freezer compartment or other compartments.</li> <li>• Gurgling sound similar to water boiling.</li> <li>• Clicking noise before the compressor starts.</li> </ul>
	Other unusual noises are due to the reasons below and may need you to check and take action: <ul style="list-style-type: none"> <li>• The cabinet is not level.</li> <li>• The back of appliance touches the wall.</li> <li>• Bottles or containers knocking against each other.</li> </ul>
Inadequate refrigeration	<ul style="list-style-type: none"> <li>• Is the place of installation ventilated?</li> <li>• Is the freezer exposed to direct sunlight, placed near a heater or stove?</li> <li>• Are the lids opened and closed frequently?</li> <li>• Are items stocked beyond the load line?</li> <li>• Is a lot of frost forms in the chest freezer?</li> </ul>
Condensation on cooler exterior	Condensation may condense on the exterior and door during hot and humid days or depending on the place of installation. This occurs when the humidity is high and water particles in the cold surfaces. This is normal. Wipe away condensation with a dry cloth.
The circumference of chest freezer feels hot	<ul style="list-style-type: none"> <li>• Especially in summer or in starting running, the circumference of chest freezer feels hot. Because chest freezer inside has a pipe for radiating and preventing condensation.</li> <li>• The heat do not affect inside goods</li> </ul>  <p>Pipe</p>
Power failure	Keep the opening and closing of the door for a minimum to prevent cold air from escaping.
	Avoid placing new items in the cooler as this will raise the temperature inside the compartment.

	In case of a long power suspension, place dry ice in the freezer.
Power cord problems	If the supply cord is damaged. It must be replaced by a special cord or assembly available from the manufacturer or the service agent.
	The freezer must be positioned so that the plug is accessible.
When not used for a long period	Remove all items from the compartment and disconnect the power cord plug from the wall outlet.
	Clean the compartment interior and wipe away all water.
	To prevent mold formation and foul odors, leave the door open to dry the compartment completely.
Transportation	Disconnect the power cord plug from the wall outlet.
	When moving the appliance, make sure that the feet do not damage the power cord.
	Do not let the feet hit against floor steps, thresholds, etc.
Temporary storage	Put piece of wood or other similar item between the door and main unit to prevent complete closing of the door.
	Be sure not to store the unused chest freezer in a location where children play.
	If a child enters in the product compartment and the door is closed, the child may not be able to open the door from the inside.
The light is not working (only for models with light)	<ul style="list-style-type: none"> <li>• The LED light may be damaged. Refer to replace LED lights in cleaning and care chapter.</li> <li>• The control system has disabled the lights due to the door being kept open too long, close and reopen the door to reactivate the lights.</li> </ul>
You can hear water bubbling in the freezer	This is normal. The bubbling comes from the refrigerant coolant liquid circulating through the freezer.

## CUSTOMER CARE AND SERVICE

Always use original spare parts.

When contacting our Authorised Service Centre, ensure that you have the following data available: Model and Serial Number.

The information can be found on the rating plate. Subject to change without notice.

## TECHNICAL DATA

The technical information is situated in the rating plate on the internal side of the appliance and on the energy label.

The QR code on the energy label supplied with the appliance provides a web link to the information related to the performance of the appliance in the EU EPREL database.

Keep the energy label for reference together with the user manual and all other documents provided with this appliance.

It is also possible to find the same information in EPREL using the link <https://eprel.ec.europa.eu> and the model name and product number that you find on the rating plate of the appliance.

To access information about your product in the EPREL portal, you can scan the codes below:



Thank you for purchasing this product. If you need support with your product, visit our website using the links below.

**Get User manuals:** <https://www.heinner.ro>

**Get Service information:** <https://www.heinner.ro>



#### **Environment friendly disposal**

You can help protect the environment!

Please remember to respect the local regulations: hand in the non-working electrical equipment's to an appropriate waste disposal center.



**HEINNER** is a registered trademark of **Network One Distribution SRL**. Other brands and product names are trademarks or registered trademarks of their respective holders.

No part of the specifications may be reproduced in any form or by any means or used to make any derivative such as translation, transformation, or adaptation without permission from NETWORK ONE DISTRIBUTION.

Copyright © 2013 Network One Distribution. All rights reserved.

[www.heinner.com](http://www.heinner.com), <http://www.nod.ro>



This product is in conformity with norms and standards of European Community



Importer: **Network One Distribution**

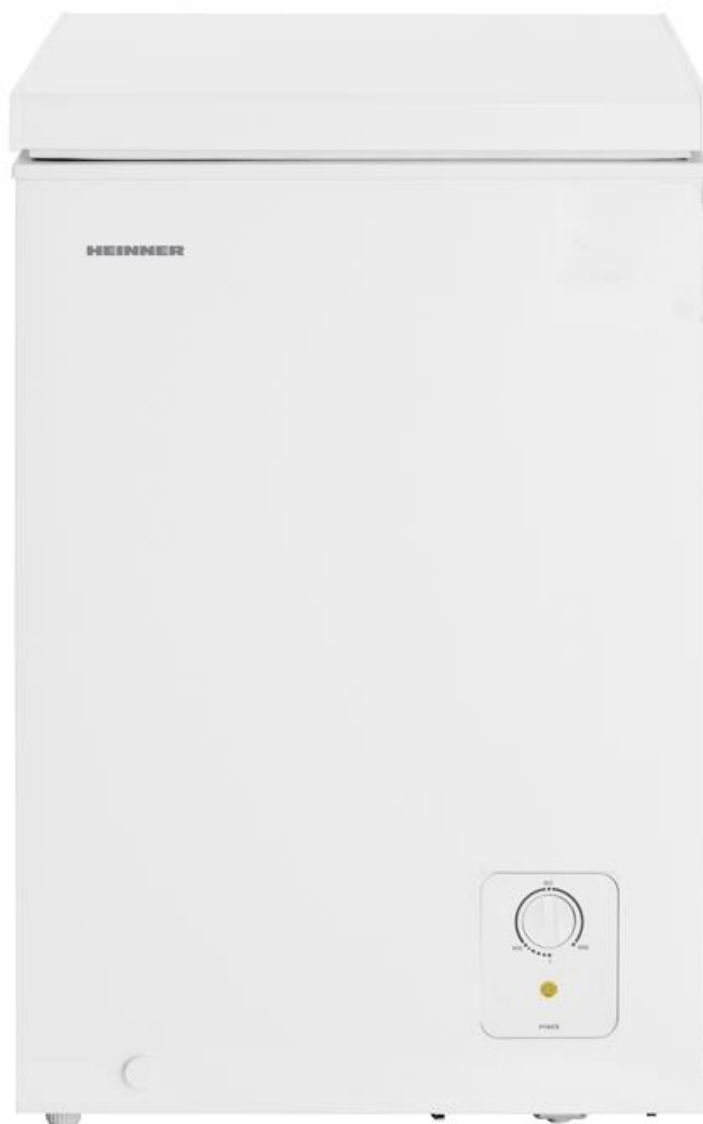
Marcel Iancu Street, 3-5, Bucharest, Romania

Tel: +40 21 211 18 56, [www.heinner.com](http://www.heinner.com) , [www.nod.ro](http://www.nod.ro)

# LADĂ FRIGORIFICĂ

Model:

**HCF-HS95E++**



- Capacitate totală: 95 L
- Clasa de eficiență energetică: E

**HEINNER**

## 1. INTRODUCERE

Vă rugăm să citiți instrucțiunile cu atenție și să păstrați manualul pentru consultări ulterioare. Acest manual are scopul de a vă oferi toate instrucțiunile necesare cu privire la instalarea, utilizarea și întreținerea aparatului. Pentru utilizarea corectă și în siguranță a aparatului, vă rugăm să citiți cu atenție acest manual de instrucțiuni înainte de instalare și utilizare.

## 2. CONȚINUTUL PACHETULUI DUMNEAVOASTRĂ

- ➔ **Ladă frigorifică**
- ➔ **Manual de utilizare**
- ➔ **Certificat de garanție**

## 3. INFORMAȚII PRIVIND SIGURANȚA

Pentru siguranța dumneavoastră și o utilizare corectă, înainte de a instala și a folosi aparatul pentru prima dată, citiți cu atenție acest manual de instrucțiuni, inclusiv sugestiile și avertismentele. Pentru a evita erorile și accidentele, este important să vă asigurați că toate persoanele care utilizează aparatul sunt familiarizate cu modul de funcționare și cu măsurile de siguranță. Păstrați aceste instrucțiuni și asigurați-vă că vor rămâne împreună cu aparatul dacă acesta este mutat sau vândut, astfel încât orice persoană care îl folosește pe durata de exploatare a acestuia să fie bine informată în legătură cu utilizarea sa și cu măsurile de siguranță. Pentru garantarea siguranței persoanelor și a bunurilor, respectați măsurile de precauție specificate în cadrul prezentului manual de instrucțiuni, deoarece producătorul nu este răspunzător pentru daunele cauzate prin omisiune.

### Siguranța copiilor și a altor persoane vulnerabile

#### Conform standardului EN

Aparatul poate fi utilizat de către copii cu vârste începând de la 8 ani și de către persoane cu capacități fizice, senzoriale sau mentale reduse, cu lipsă de experiență sau cunoștințe, numai dacă acestea sunt supravegheate sau instruite în ceea ce privește utilizarea în siguranță a aparatului și dacă înțeleg pericolele pe care le implică utilizarea. Copiii nu au voie să se joace cu aparatul. Curățarea și întreținerea nu trebuie efectuate de către copii nesupravegheați.

#### Conform standardului IEC

Aparatul nu este destinat utilizării de către persoane (inclusiv copii) care au capacități fizice, senzoriale sau mentale reduse, sau cărora le lipsesc experiența și cunoștințele necesare, decât dacă sunt supravegheate sau au fost instruite cu privire la utilizarea aparatului de către o persoană care răspunde pentru siguranța acestora.

Nu lăsați ambalajele la îndemâna copiilor. Pericol de asfixiere.

Pentru a evita situațiile în care copiii se pot electrocuta sau închide în interiorul aparatului, înainte de a-l arunca, scoateți ștecărul din priză, tăiați cablul de alimentare (cât mai aproape de aparat posibil) și demontați ușa aparatului.

Dacă acest aparat (care este prevăzut cu un sistem de închidere magnetic) înlocuiește un aparat mai vechi, prevăzut cu închizătoare cu arc (zăvor) pe ușa sau pe capac, înainte de a arunca aparatul vechi, asigurați-vă că închizătoarea cu arc nu mai poate fi folosită. Astfel, copiii nu vor putea rămâne blocați înăuntru.

Copiii cu vârste începând de la 3 ani le este permis să introducă și să scoată alimente din aparatele frigorifice (această prevedere este aplicabilă numai pentru statele din Uniunea Europeană).

### Măsuri generale de siguranță

Avertisment! Acest aparat este destinat utilizării în locuințe și alte unități similare:

1. bucătăriile personalului din magazine, birouri și alte medii de lucru;
2. în gospodării și de către clienții din hoteluri, moteluri și alte medii de tip rezidențial;
3. medii de tip pensiune cu mic dejun;

4. activități de tip catering și non-retail.

Avertisment! Nu depozitați în acest aparat produse explozive precum spray-urile cu aerosoli inflamabili.

Avertisment! Pentru evitarea pericolelor, în cazul în care cablul de alimentare este deteriorat, acesta trebuie înlocuit de către producător, de către agentul său de service sau de persoane cu o calificare similară.

Avertisment! Asigurați-vă că gurile de ventilație ale carcasei aparatului sau ale corpului acestuia nu sunt obturate.

Avertisment! Utilizați numai dispozitive mecanice sau mijloace de grăbire a procesului de dezghețare recomandate de către producător.

Avertisment! Nu deteriorați circuitul de refrigerare.

Avertisment! Nu folosiți aparate electrice în interiorul compartimentelor de depozitare a alimentelor din acest aparat, decât dacă acestea sunt de tipul celor recomandate de către producător.

Avertisment! Agentul frigorific și gazul izolant sunt inflamabile. Dacă doriți să aruncați aparatul, apălați la un centru autorizat de eliminare a deșeurilor. Nu expuneți aparatul la foc.

Avertisment! Agentul frigorific și gazul izolant sunt inflamabile. Dacă doriți să aruncați aparatul, apălați la un centru autorizat de eliminare a deșeurilor. Nu expuneți aparatul la foc.

Avertisment! Atunci când poziționați aparatul, asigurați-vă că nu striviți și nu deteriorați cablul de alimentare.

Avertisment! Nu amplasați în spatele aparatului prize multiple sau surse de alimentare portabile.

## Înlocuirea becurilor

Becurile nu trebuie înlocuite de către utilizator! Dacă becurile se defectează, apălați la asistență specializată. Acest avertisment este valabil numai pentru aparatele prevăzute cu lămpi de iluminare.

## Agentul frigorific

Circuitul de refrigerare al aparatului conține agent frigorific R600a (izobutan) sau R290 sau R134a, acestea fiind gaze cu un nivel ridicat de compatibilitate cu mediul înconjurător, R600a și R290 fiind inflamabile. În timpul transportului și al montării aparatului, asigurați-vă că niciuna dintre componentele circuitului de refrigerare nu este deteriorată. Agenții frigorifici R600a și R290 sunt inflamabili.

Avertisment! Frigiderele conțin agent frigorific și gaze izolante. Agentul frigorific și gazele trebuie să fie eliminate în mod corespunzător, deoarece acestea pot provoca leziuni oculare sau se pot aprinde. Înainte de eliminare, asigurați-vă că tubulatura circuitului de refrigerare nu este deteriorată.

Avertisment!



Pericol de incendiu/materiale inflamabile în cazul în care circuitul de refrigerare este deteriorat:

1. Evitați utilizarea focului deschis și sursele de aprindere a focului.
2. Aerisiți bine camera în care se află aparatul.

Modificarea în orice fel a specificațiilor sau a produsului este periculoasă. Orice deteriorare a cablului de alimentare poate genera pericol de scurtcircuitare, incendiu și/sau electrocutare.

## Siguranța electrică

1. Nu prelungiți cablul de alimentare.
2. Asigurați-vă că ștecărul nu a fost strivit sau deteriorat. În cazul în care cablul de alimentare este strivit sau deteriorat, acesta se poate supraîncălzi și poate provoca un incendiu.
3. Asigurați-vă că aveți acces la ștecărul aparatului.
4. Nu trageți de cablul de alimentare.
5. Dacă priza în care trebuie introdus ștecărul este desprinsă, nu introduceți ștecărul în ea. Există riscul de electrocutare și de incendiu.
6. Nu utilizați aparatul fără capacul lămpii de iluminare din interior.
7. Aparatul nu poate fi alimentat decât de la un circuit electric alternativ monofazat, de 220-240V/50Hz. Dacă variațiile de tensiune din zona în care locuiește utilizatorul nu se încadrează în limitele domeniului de tensiune de mai sus, pentru siguranță, utilizați un regulator de tensiune automat AC cu o putere mai mare de 350 W. Aparatul trebuie alimentat de la o priză separată, nu de la o priză la care sunt conectate și alte aparate electrice. Ștecărul trebuie să fie compatibil cu priza cu împământare.



## Utilizare cotidiană

- Nu depozitați gaze sau lichide inflamabile în aparat. Există riscul producerii unei explozii.
- Nu utilizați dispozitive electrice în interiorul aparatului (ex.: aparate electrice de făcut înghețată, mixere etc.).
- Atunci când deconectați aparatul de la sursa de alimentare, scoateți ștecărul din priză fără a trage de cablu.
- Nu așezați obiecte fierbinți lângă componentele din plastic ale aparatului.
- Acest aparat frigorific nu este destinat utilizării ca aparat încorporat.
- Nu așezați alimente imediat lângă orificiul de evacuare a aerului situat pe peretele posterior din interiorul aparatului.
- Depozitați alimentele congelate preambalate în conformitate cu instrucțiunile producătorului alimentelor congelate.
- Respectați cu strictețe recomandările producătorului acestui aparat privind depozitarea. Consultați instrucțiunile referitoare la depozitare.
- Nu depozitați băuturi carbogazoase sau acidulate în compartimentul de congelare, deoarece se creează presiune asupra recipientelor, acestea putând exploda, având drept rezultat deteriorarea aparatului.
- Depozitați alimentele congelate preambalate în conformitate cu instrucțiunile producătorului alimentelor congelate.
- Respectați cu strictețe recomandările producătorului acestui aparat privind depozitarea. Consultați instrucțiunile referitoare la depozitare.
- Nu depozitați băuturi carbogazoase sau acidulate în compartimentul de congelare, deoarece se creează presiune asupra recipientelor, acestea putând exploda, având drept rezultat deteriorarea aparatului.
- Alimentele înghețate pot cauza degerături dacă sunt consumate direct din congelator.
- Nu expuneți aparatul la lumina directă a soarelui.
- Țineți lămpile, lumânările aprinse și alte obiecte cu flacără deschisă cât mai departe de aparat, astfel încât acesta să nu ia foc.
- Aparatul este destinat depozitării alimentelor și/sau băuturilor într-o gospodărie obișnuită, așa cum a este specificat în prezentul manual de instrucțiuni.
- Acest aparat este greu. Mutați-l cu grijă.
- Nu scoateți și nu atingeți obiecte din congelator dacă aveți mâinile umede/ude, deoarece vă puteți provoca leziuni ale pielii sau degerături.
- Nu folosiți niciodată baza, sertarele, ușile etc. pentru a vă urca pe ele sau ca suporturi.
- Nu congelați din nou alimentele care s-au dezghețat.
- Nu consumați înghețată sau cuburi de gheață direct din congelator, deoarece acestea pot provoca leziuni ale gurii și buzelor.
- Pentru a evita căderea obiectelor și provocarea vătămărilor corporale sau a deteriorării aparatului, nu supraîncărcați rafturile de pe ușă și nu puneți prea multe alimente în sertarul pentru legume și fructe.

## Curățare și întreținere

- Înainte de efectuarea operațiilor de întreținere, opriți aparatul și scoateți ștecărul din priză.
- Nu curățați aparatul cu obiecte din metal, aparate de curățat cu aburi, uleiuri eterice, solvenți organici sau substanțe abrazive.
- Nu folosiți obiecte ascuțite pentru a îndepărta gheața din aparat. Folosiți o racletă din plastic.

## Instalare

- Pentru conectarea aparatului la sursa de alimentare cu energie electrică, urmați cu atenție instrucțiunile din cadrul prezentului manual. Despachetați aparatul și verificați dacă este deteriorat.
- Dacă aparatul prezintă deteriorări, nu îl conectați la sursa de alimentare. Dacă aparatul este deteriorat, comunicați imediat acest lucru distribuitorului de la care l-ați cumpărat. În acest caz, păstrați ambalajul.
- Vă recomandăm să așteptați cel puțin patru ore înainte de a conecta aparatul la sursa de alimentare, pentru ca uleiul să aibă timp să revină în compresor.
- Aerul trebuie să poată circula liber în jurul aparatului. În lipsa circulației aerului, aparatul se poate

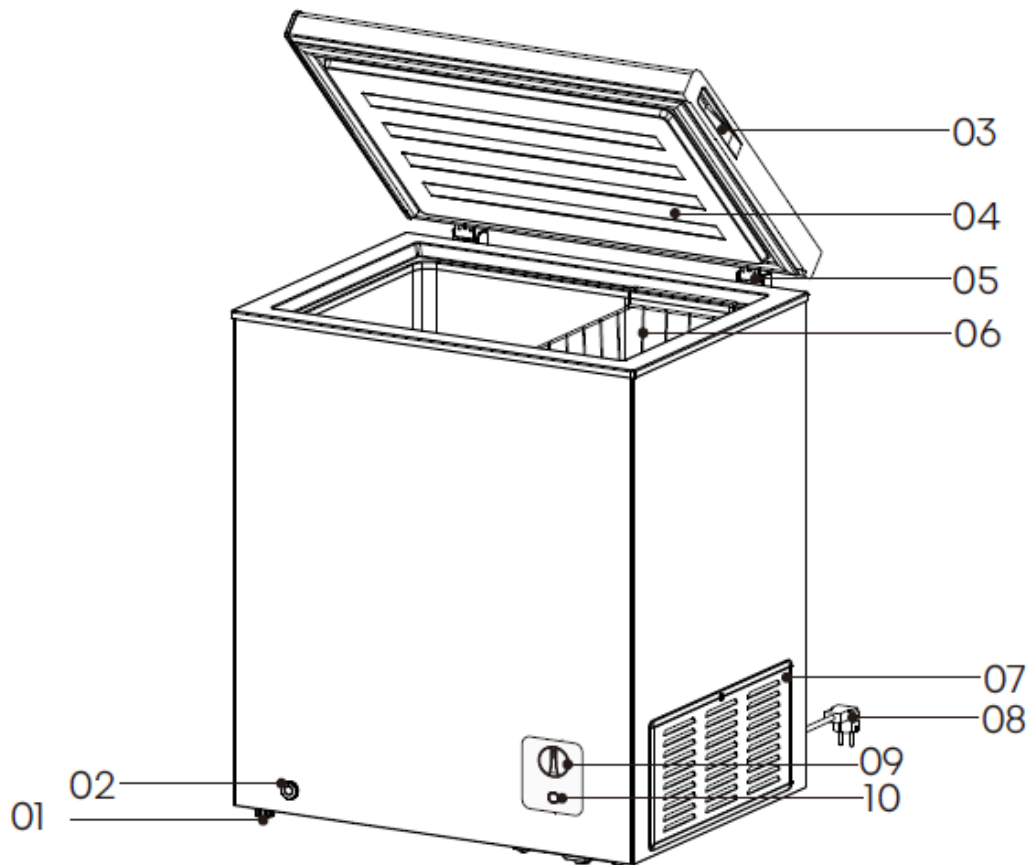
supraîncălzi. Pentru a obține o ventilație adecvată, respectați instrucțiunile referitoare la montare.

- Partea din spate a produsului nu trebuie să fie prea aproape de perete, pentru a evita atingerea sau prinderea componentelor calde (compresor, condensator). Pentru prevenirea riscului de producere a unui incendiu, urmați instrucțiunile cu privire la instalare.
- Nu amplasați aparatul în apropierea radiatoarelor sau a aragazelor.
- Asigurați-vă că aveți acces la ștecăr după montarea aparatului.

## Reparații

- Lucrările electrice necesare în vederea reparării aparatului trebuie efectuate de către un electrician calificat sau de către personal specializat.
- Produsul trebuie reparat de către un centru de service autorizat, folosindu-se numai piese de schimb originale.
  1. Dacă aparatul este prevăzut cu un sistem Frost Free.
  2. Dacă aparatul este prevăzut cu un compartiment de congelare.

## 4. DESCRIEREA PRODUSULUI



1. Picioar	6. Coș
2. Orificiu de scurgere	7. Capac lateral
3. Mâner ușă	8. Cablul de alimentare
4. Ușă	9. Buton pentru reglarea temperaturii
5. Balama	10. Indicator de alimentare

- Date fiind îmbunătățirile continue aduse produselor, frigiderul dumneavoastră poate fi puțin diferit de cel descris în acest manual de utilizare, însă funcțiile și modalitatea de utilizare rămân aceleași.
- Pentru ca acest produs să fie cât mai eficient, vă rugăm să amplasați rafturile și sertarele în pozițiile indicate în ilustrația de mai sus.
- Nu atingeți niciodată interiorul compartimentului de congelare sau alimentele congelate din compartiment cu mâinile umede, deoarece acest lucru ar putea provoca degerături.

## 5. INSTALARE

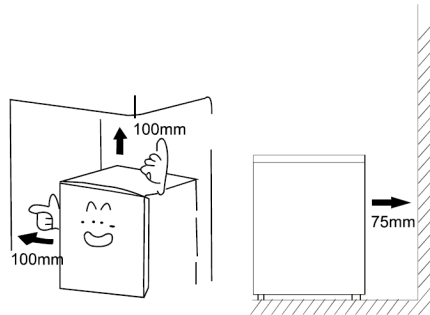
Înainte de a utiliza aparatul pentru prima dată, vă rugăm să citiți recomandările de mai jos.

### Aerisirea aparatului

Pentru o eficiență ridicată a refrigerării și un consum scăzut de energie electrică, în jurul aparatului trebuie să existe o bună ventilație, în vederea înlesnirii dispersării căldurii. În acest sens, trebuie să lăsați suficient spațiu liber în jurul aparatului.

Recomandare:

Vă recomandăm să lăsați o distanță de 75 de mm între spatele aparatului și perete și de cel puțin 100 de mm în laterale.



Observație:

Acest aparat funcționează corespunzător în clasele de climă de la SN la ST sau T (vă rugăm să consultați tipul de climă marcat pe plăcuța cu date tehnice situată în partea posterioară a produsului). Dacă aparatul este lăsat pentru o perioadă mai îndelungată la o temperatură superioară sau inferioară limitelor intervalului specificat, este posibil ca acesta să nu mai funcționeze corect.

Clasa de climă	Temperatura ambiantă
SN	de la +10°C la +32°C
N	de la +16°C la +32°C
ST	de la +16°C la +38°C
T	de la +16°C la +43°C

Instalați aparatul într-un loc uscat, ferit de umezeală. Nu expuneți aparatul la lumina directă a soarelui, la ploaie sau îngheț. Instalați aparatul departe de surse de căldură precum sobele sau încălzitoarele.

### Echilibrarea aparatului

Pentru asigurarea unei echilibrări eficiente și a unei circulații optime a aerului în partea din spate a aparatului, poate fi necesară reglarea picioarelor aparatului. Vă rugăm să utilizați o cheie potrivită.

Această secțiune cuprinde instrucțiuni privind modul de utilizare a majorității caracteristicilor utile ale aparatului. Vă recomandăm să citiți cu atenție aceste instrucțiuni înainte de utilizarea aparatului.

**Avertisment!** Pentru o instalare corespunzătoare, acest aparat trebuie să fie așezat pe o suprafață orizontală și dură, situată la același nivel cu restul pardoselii. Rezistența acestor suprafețe trebuie să permită susținerea unui aparat încărcat complet.

## Utilizarea compartimentului de congelare

- Compartimentul este potrivit pentru depozitarea alimentelor care necesită congelare, cum ar fi carnea, peștele, înghețata și alte produse perisabile.
- Atenție! Asigurați-vă că sticlele nu sunt lăsate în congelator mai mult decât este necesar, deoarece acestea se pot sparge. Lichidele îmbuteliate sau conservate prezintă riscul de explozie cauzat de mărirea volumului și, prin urmare, nu trebuie depozitate în compartimentul de congelare.

## Înainte de utilizare

- Îndepărtați ambalajul, banda adeziva etc. și lăsați ușile deschise o perioadă, pentru a aerisi aparatul. Aparatul a fost curățat înainte de livrare.
- Totuși, vă recomandăm să curățați interiorul compartimentelor după livrare.
- Introduceți ștecărul cablului într-o priză de perete monofazată de 220-240V, cu împământare.
- Înainte de a introduce alimente în aparat, lăsați aparatul să funcționeze aproximativ 1 oră, în vederea răcirii.
- Așteptați cel puțin 5 minute înainte de repornire.
- Repornirea aparatului imediat după oprire poate duce la arderea siguranței și la activarea disjunctorului, la suprasolicitarea compresorului și/sau la alte deteriorări.

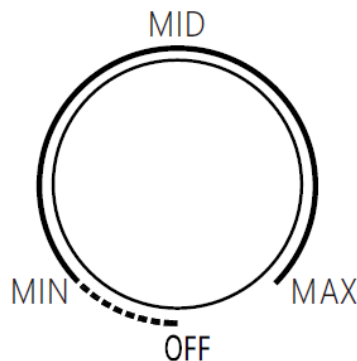
## Avertisment

- Nu utilizați aparatul pentru depozitarea apei sau a alimentelor care necesită depozitare în apă.
- Nu puneți direct în aparat fructe de mare proaspete care conțin apă.

## 6. REGLAREA TEMPERATURII

- Termostatul a fost reglat în funcție de temperatura din fabrică. Așadar, vă rugăm să nu îl atingeți. O răcire excesivă va crește în mod inutil consumul de energie electrică.
- Dacă este necesar să reglați temperatura, rotiți butonul de reglare a temperaturii către setarea MAX. Dacă aparatul răcește prea mult, rotiți butonul de reglare a temperaturii către setarea MIN.
- Dacă doriți să opriți temporar aparatul, rotiți butonul de reglare a temperaturii către poziția OFF/0 sau scoateți ștecărul din priză.
- Pentru a congela rapid alimentele proaspete, vă recomandăm să lăsați aparatul să funcționeze la setarea pentru temperatură minimă timp de 24 de ore, apoi să readuceți aparatul la setarea pentru temperatură medie.

Observație: Setarea unei temperaturi ridicate grăbește procesul de alterare a alimentelor.



## 7. CURĂȚARE ȘI ÎNGRIJIRE

Din motive de igienă, aparatul (inclusiv accesoriile exterioare și interioare) trebuie curățat cu regularitate, cel puțin o dată la două luni.

Avertisment:

- În timpul curățării, aparatul trebuie să fie deconectat de la sursa de alimentare cu energie electrică. Pericol de șoc electric!
- Înainte de efectuarea operațiilor de curățare, opriți aparatul și scoateți ștecărul din priză.

### Curățarea exteriorului aparatului

Pentru a păstra aspectul aparatului dumneavoastră, acesta trebuie curățat periodic.

- Ștergeți panoul digital și afișajul cu o lavetă curată și moale.
- Pulverizați apă pe cârpă, nu direct pe suprafața aparatului. Acest lucru ajută la o distribuire uniformă a umezelii pe suprafețe.
- Curățați ușile, mânerul și suprafețele carcasei cu un detergent slab, apoi ștergeți-le cu o lavetă moale.

Avertisment:

- Nu folosiți obiecte ascuțite, deoarece acestea pot zgâria suprafețele. Nu utilizați diluant, detergent auto, clor, uleiuri eterice, agenți de curățare abrazivi sau solvenți organici.
- Acestea pot deteriora suprafața aparatului și pot provoca incendii.

### Curățarea interiorului aparatului

- Interiorul aparatului trebuie curățat periodic. Interiorul poate fi curățat mai ușor atunci când în aparat nu sunt multe alimente. Pentru o curățare mai temeinică, puteți scoate rafturile sau coșul.
- Ștergeți interiorul aparatului cu o soluție diluată din bicarbonat de sodiu. Clătiți cu apă caldă, utilizând un burete sau o lavetă stoarsă. Ștergeți bine rafturile sau coșul înainte de a le pune la loc.
- Ștergeți bine toate suprafețele și componentele detașabile.

### Curățarea înainte de utilizare

Înainte de a folosi aparatul pentru prima dată, spălați interiorul și toate accesoriile interne cu apă caldă și cu detergent neutru, pentru a înlătura mirosul specific de produs nou, apoi uscați-le bine.

### Dezghețarea

Compartimentul de congelare trebuie dezghețat de două sau trei ori pe an, atunci când gheața are o grosime de aproximativ 4 mm. Pentru dezghețare, urmați pașii de mai jos:

- Setezi termostatul la treapta pentru temperatură maximă cu cel puțin 12 ore înainte de dezghețare.
- După trecerea acestei perioade, opriți aparatul prin deconectarea ștecărului de la sursa de alimentare cu energie electrică.
- Scoateți toate alimentele din aparat și înfășurați-le în hârtie de ziar, apoi depozitați-le într-un loc rece și lăsați ușa deschisă.
- La finalizarea dezghețării, compartimentul trebuie curățat și șters.
- Porniți aparatul cu termostatul setat la treapta pentru temperatură maximă și așteptați cel puțin o oră înainte de a pune alimentele la loc în aparat.
- După câteva ore, termostatul poate fi reglat din nou la setarea inițială.

Avertisment:

- Utilizați numai dispozitive mecanice sau mijloace de grăbire a procesului de dezghețare recomandate de către producător.
- Nu folosiți aparate electrice în interiorul compartimentelor de depozitare a alimentelor din acest aparat, decât dacă acestea sunt de tipul celor recomandate de către producător.

## Verificări

Pentru siguranță, efectuați următoarele verificări după curățarea aparatului:

- Asigurați-vă că ștecărul cablului de alimentare este introdus corespunzător în priză. Asigurați-vă că ștecărul nu este foarte fierbinte.
- Verificați cablul de alimentare, pentru a vă asigura că acesta nu este crăpat sau deteriorat. În cazul în care observați orice deteriorare, contactați distribuitorul de la care ați achiziționat acest aparat sau departamentul nostru de asistență pentru clienți.

## Curățarea garniturilor uși

Păstrați curate garniturile uși.

Alimentele și băuturile lipicioase pot face ca garniturile să se lipească de carcasă și să se rupă atunci când deschideți ușa.

Spălați garniturile cu detergent delicat și apă caldă.

După curățare, clătiți și ștergeți bine garniturile.

# 8. RECOMANDĂRI ȘI SFATURI UTILE

## Sfaturi pentru economisirea energiei electrice

Vă recomandăm să urmați sfaturile de mai jos în vederea economisirii energiei.

- Pentru a economisi energie, vă rugăm să nu lăsați mult timp ușa deschisă.
- Asigurați-vă că aparatul nu este instalat în apropierea surselor de căldură (lumina directă a soarelui, cuptor electric sau aragaz etc.).
- Nu setați temperatura la un nivel mai scăzut decât este necesar.
- Nu depozitați în aparat mâncare caldă sau lichide care se evaporă.
- Instalați aparatul într-o încăpere bine aerisită, ferită de umiditate. Vă rugăm să consultați capitolul privind instalarea aparatului.
- În cazul în care schema descriptivă a aparatului a indică o configurație corectă pentru sertare, coșul pentru fructe și legume și rafturi, vă rugăm să nu modificați acea configurație, deoarece este special concepută pentru eficientizarea consumului de energie electrică.

## Recomandări privind refrigerarea alimentelor proaspete

- Nu introduceți alimente fierbinți direct în frigider sau congelator, deoarece temperatura interioară va crește, compresorul va lucra mai mult, iar consumul de energie electrică va crește.
- Acoperiți sau împachetați alimentele, în special în cazul în care acestea emit mirosuri puternice.
- Așezați alimentele în mod corespunzător, astfel încât aerul să poată circula liber în jurul acestora.
- Asigurați-vă că alimentele congelate au fost depozitate în mod corect de către comercianți.
- După dezghețare, alimentele se deteriorează rapid și nu trebuie recongelate.
- Nu depășiți perioadele de păstrare indicate de producătorul alimentelor.

## Depozitarea alimentelor

Pentru a evita contaminarea alimentelor, respectați instrucțiunile de mai jos.

- Atunci când refrigerați alimentele, asigurați-vă că acestea nu ating suprafețele interioare ale compartimentelor aparatului.
- Atunci când congelați alimente, pentru prevenirea uscării acestora și a răspândirii mirosurilor, depozitați-le în recipiente sau pungi etanșe, fabricate din materiale insipide, impermeabile și netoxice.

- Alimentele fierbinți trebuie lăsate să se răcească la temperatura camerei, apoi introduse în compartimentul de congelare. În caz contrar, acestea vor afecta starea celorlalte alimente și vor duce la creșterea consumului de energie electrică.
- Dacă ușa aparatului este lăsată deschisă pe perioade lungi, temperatura din compartimentele aparatului crește semnificativ.
- Curățați periodic suprafețele care pot intra în contact cu alimentele, precum și sistemele de scurgere ale aparatului.
- Păstrați carnea crudă și peștele proaspăt în recipiente corespunzătoare, astfel încât acestea să nu intre în contact cu alte alimente.
- Compartimentele de congelare cu două stele sunt potrivite pentru păstrarea alimentelor precongelate, păstrarea sau prepararea înghețatei sau producerea cuburilor de gheață.
- Compartimentele cu una, două și trei stele nu sunt potrivite pentru congelarea alimentelor proaspete.

Nr. de ordine	Tipul compartimentului	Temperatură de depozitare recomandată [°C]	Alimente potrivite
1	Refrigerare	+2~+6	Ouăle, alimentele gătite, alimentele ambalate, fructele și legumele, lactatele, prăjiturile și băuturile nu sunt potrivite pentru congelare.
2	(***)*-Congelare	≤-18	Fructele de mare (peștele, creveții, crustaceele), produsele de acvacultură și cele din carne sunt potrivite pentru congelare (se recomandă depozitarea acestora timp de 3 luni; cu cât durata de depozitare este mai mare, cu atât gustul și proprietățile nutritive se pierd).
3	***-Congelare	≤-18	Fructele de mare (peștele, creveții, crustaceele), produsele de acvacultură și cele din carne nu sunt potrivite pentru congelare (se recomandă depozitarea acestora timp de 3 luni; cu cât durata de depozitare este mai mare, cu atât gustul și proprietățile nutritive se pierd).
4	** - Congelare	≤-12	Fructele de mare (peștele, creveții, crustaceele), produsele de acvacultură și cele din carne nu sunt potrivite pentru congelare (se recomandă depozitarea acestora timp de 2 luni; cu cât durata de depozitare este mai mare, cu atât gustul și proprietățile nutritive se pierd).
5	*-Congelare	≤-6	Fructele de mare (peștele, creveții, crustaceele), produsele de acvacultură și cele din carne nu sunt potrivite pentru congelare (se recomandă depozitarea acestora timp de 1 lună; cu cât durata de depozitare este mai mare, cu atât gustul și proprietățile nutritive se pierd).

**Avertisment!** Ambalați alimentele în pungi și puneți lichidele în sticle sau recipiente acoperite înainte de a le introduce în aparat, pentru a evita murdărirea componentelor interioare ale acestuia.

Vă rugăm să păstrați alimentele în compartimentele corespunzătoare și la temperaturile de depozitare recomandate.

Dacă aparatul frigorific este lăsat gol pe perioade lungi, opriți-l, decongețați-l, curățați-l, ștergeți-l bine și lăsați-i ușa deschisă pentru a preveni formarea mucegaiului în interiorul acestuia.

## Oprirea aparatului

În cazul în care aparatul urmează a fi oprit pentru o perioadă mai îndelungată, parcurgeți pașii de mai jos pentru a preveni formarea mucegaiului.

1. Scoateți toate alimentele din aparat.
2. Deconectați ștecărul de la sursa de alimentare cu energie.
3. Curățați și uscați bine interiorul.
4. Asigurați-vă că ușile sunt întredeschise pentru a permite circulația aerului.

## Eliminarea produsului

Este interzisă eliminarea acestui aparat împreună cu deșeurile menajere.

### Materiale de ambalare

Materialele marcate cu simbolul de reciclare sunt reciclabile. Aruncați ambalajele în containere speciale destinate reciclării.

### Înainte de eliminarea aparatului

1. Deconectați ștecărul de la sursa de alimentare cu energie.
2. Tăiați cablul de alimentare și aruncați-l împreună cu ștecărul.

Avertisment! Congelatoarele conțin agent frigorific și gaze izolante. Agentul frigorific și gazele trebuie să fie eliminate în mod corespunzător, deoarece acestea pot provoca leziuni oculare sau se pot aprinde. Înainte de eliminare, asigurați-vă că tubulatura circuitului de refrigerare nu este deteriorată.


## 9. DEPANARE

În cazul în care aveți probleme cu aparatul sau vă preocupă faptul că acesta nu funcționează corect, puteți efectua unele verificări simple înainte de a apela la asistență tehnică specializată. În acest sens, vă rugăm să consultați tabelul de mai jos.

Avertisment! Nu încercați să reparați aparatul pe cont propriu. Dacă problema persistă după ce ați efectuat verificările menționate mai jos, contactați un atelier de service autorizat.

Problemă	Cauză posibilă și soluție
Aparatul nu funcționează corect.	Asigurați-vă că ștecărul este introdus corespunzător în priza de curent și că butonul de reglare a temperaturii este la poziția OFF, Off sau 0.
	Verificați siguranța sau circuitul sursei de alimentare; dacă este necesar, înlocuiți siguranța.
	Temperatura ambiantă este prea scăzută. Încercați să creșteți temperatura camerei pentru a soluționa această problemă.
Compartimentele emană mirosuri neplăcute	Este posibil să fie necesară curățarea interiorului aparatului.
	Anumite alimente, recipiente sau ambalaje emană mirosuri.
Aparatul produce zgomote.	Zgomotele enumerate mai jos sunt normale: <ul style="list-style-type: none"> <li>• Zgomote provocate de funcționarea compresorului.</li> <li>• Zgomote provocate de curentul de aer provenit de la ventilator, în compartimentul de congelare sau în alte compartimente.</li> <li>• Clipocit similar cu zgomotul produs de apă.</li> <li>• Păcănituri înainte de pornirea compresorului.</li> </ul>
	Alte zgomote neobișnuite pot avea una dintre cauzele de mai jos și poate fi necesară luarea de măsuri: <ul style="list-style-type: none"> <li>• Aparatul nu este echilibrat.</li> </ul>



	<ul style="list-style-type: none"> <li>• Partea din spate a aparatului atinge peretele.</li> <li>• Sticlele sau recipientele se lovesc unele de altele.</li> </ul>
Refrigerare inadecvată.	<ul style="list-style-type: none"> <li>• Locul de amplasare este aerisit corespunzător?</li> <li>• Aparatul este expus la lumina directă a soarelui, este amplasat în apropierea unui încălzitor sau a unei sobe?</li> <li>• Capacele sunt deschise și închise frecvent?</li> <li>• Sunt depozitate produse dincolo de linia care marchează limita de încărcare?</li> <li>• Se formează mult gheață în aparat?</li> </ul>
Se formează condens pe suprafețele exterioare ale aparatului	Condensul se poate forma pe suprafețele exterioare ale aparatului și pe ușă în zilele calde și umede sau în funcție de locul de instalare. Acest fenomen apare atunci când umiditatea este ridicată și particulele de apă din aer ating suprafețele reci. Acest lucru este normal. Îndepărtați condensul cu o lavetă uscată.
Se simte căldură în jurul aparatului	<ul style="list-style-type: none"> <li>• Se poate simți căldură în jurul aparatului mai ales vara sau la punerea în funcțiune. Aparatul este prevăzut cu o conductă care previne formarea condensului.</li> <li>• Căldura nu afectează produsele din interiorul aparatului.</li> </ul> 
Întrerupere a alimentării cu energie	Pentru a preveni ieșirea aerului rece din aparat, închideți repede ușa acestuia și țineți ușa deschisă cât mai puțin timp posibil.
	Evitați să introduceți noi produse alimentare în aparat, deoarece acest lucru va duce la creșterea temperaturii în interiorul compartimentului.
Probleme ale cablului de alimentare	În cazul unei întreruperi a alimentării cu energie electrică de lungă durată, puneți gheață carbonică în aparat.
	În cazul în care cablul de alimentare este deteriorat, acesta trebuie înlocuit cu un cablu special disponibil la producător sau la reprezentantul acestuia.
În caz de neutilizare pentru o perioadă îndelungată	Aparatul trebuie amplasat astfel încât ștecărul să fie ușor accesibil.
	Scoateți toate produsele din aparat și deconectați ștecărul de la sursa de alimentare cu energie electrică.
	Ștergeți interiorul aparatului și apa rămasă în acesta.
Transportul	Pentru a preveni formarea mușcăiului și mirosurile neplăcute, lăsați ușa deschisă pentru ca interiorul aparatului să se usuce complet.
	Deconectați ștecărul de la sursa de alimentare cu energie electrică.
	În timpul deplasării aparatului, asigurați-vă că picioarele acestuia nu deteriorează cablul de alimentare.
Depozitare temporară	Nu lăsați picioarele să lovească trepte, praguri etc.
	Puneți o bucată de lemn sau alt obiect similar între ușă și unitatea principală, pentru a împiedica închiderea completă a ușii.
	Asigurați-vă că nu depozitați lada frigorifică neutilizată într-un loc unde copiii se joacă.
Lampa nu se aprinde (numai pentru modelele prevăzute cu lampă)	Dacă un copil intră în compartimentul aparatului și ușa se închide, este posibil ca acesta să nu poată deschide ușa din interior.
	<ul style="list-style-type: none"> <li>• Lampa cu LED poate fi deteriorată. Consultați secțiunea referitoare la înlocuirea lămpii cu LED.</li> </ul>

	<ul style="list-style-type: none"> <li>Sistemul de control a dezactivat iluminarea din cauza că ușa a fost ținută deschisă prea mult timp; închideți și re deschideți ușa pentru a reactiva iluminarea.</li> </ul>
Puteți auzi cum apa bolborosește în interiorul aparatului.	Acest lucru este normal. Zgomotul este produs de agentul frigorific care circulă prin conductele aparatului.

### SERVICE ȘI ASISTENȚĂ PENTRU CLIEȚI

Utilizați numai piese de schimb originale.

Când contactați centrul nostru de service autorizat, asigurați-vă că aveți la îndemână următoarele informații:

Denumirea modelului și numărul de serie.

Informațiile pot fi găsite pe plăcuța cu date tehnice. Acestea pot suferi modificări fără o notificare prealabilă.

### DATE TEHNICE

Informațiile tehnice se află pe plăcuța cu date tehnice a aparatului și pe eticheta energetică.

Codul QR de pe eticheta energetică furnizată împreună cu aparatul oferă un link web către informațiile din baza de date EPREL cu privire la performanțele aparatului.

Păstrați eticheta energetică pentru consultări ulterioare, împreună cu manualul de utilizare și cu toate celelalte documente furnizate împreună cu acest aparat.

De asemenea, puteți găsi aceleași informații în baza de date EPREL, folosind link-ul <https://eprel.ec.europa.eu> și denumirea modelului și numărul de serie al produsului, pe care le găsiți pe plăcuța cu date tehnice a aparatului.

Pentru a accesa informațiile despre produsul dvs. în portalul EPREL, puteți scana codurile de mai jos:



Vă mulțumim pentru achiziționarea acestui produs! Dacă aveți nevoie de asistență în ceea ce privește produsul dumneavoastră, vizitați site-ul nostru web utilizând linkurile de mai jos:

**Manualele de utilizare pot fi găsite la:** <https://www.heinner.ro>

**Informații privind service-ul pot fi găsite la:** <https://www.heinner.ro>



### MASURI PENTRU PROTECTIA MEDIULUI

Va informam ca persoanele fizice au urmatoarele obligatii prin legislatia specifica privind protectia mediului si regimul deseurilor:

- Deseurile de echipamente electrice si electronice (DEEE), pot contine substante periculoase pentru mediu si sanatatea umana. Conform OUG 5/2015, exista obligativitatea predarii acestora, pentru tratarea corespunzatoare si valorificarea componentelor reciclabile. Societatea Network One Distribution S.R.L. este platitoare de taxa de "timbru verde" pentru fiecare Echipament Electric si Electronic (EEE) pe care il pune pe piata. Acest cost asigura tratarea ulterioara a echipamentelor uzate colectate. Din acest motiv, odata ce devine deseu, produsul EEE poate fi predat gratuit operatorului Dvs. de salubritate, la magazine atunci cand achizitionati alt echipament similar, sistemul "unul la unu" sau la punctul de colectare organizat de Primaria Sectorului / localitatii Dvs.

- Simbolul (marcajul) aplicat produselor, care indica faptul ca deseurile DEEE, bateriile si acumulatorii - fac obiectul unei colectari separate, il reprezinta o pubea barata cu o cruce.

***Aceste masuri vor ajuta la protejarea mediului***

Societatea Network One Distribution S.R.L. este inregistrata in Registrul de punere pe piata a echipamentelor electrice si electronice, avand numarul de inregistrare: RO-2016-03-EEE-0201-IV. De asemenea, au fost intocmite si sunt gestionate: Registrul de Retragere EEE si Registrul de Rechemare EEE, in conformitate cu HG 322/2013. Totodata societatea este inregistrata in Registrul de punere pe piata a bateriilor, avand numarul de inregistrare: RO-2011-03-B&A-0283.

Conformitatea cu directiva RoHS: Produsul pe care l-ați cumpărat este conform cu Directiva RoHS UE (2011/65/UE). Nu conține materialele dăunătoare și interzise specificate în Directivă.

**Va multumim ca participati alaturi de noi la protejarea mediului si a sanatatii umane!**



**HEINNER** este marcă înregistrată a companiei **Network One Distribution SRL**. Celelalte branduri și denumirile produselor sunt mărci de comerț sau mărci de comerț înregistrate ale respectivilor deținători.

Nicio parte a specificațiilor nu poate fi reprodusă, sub nicio formă și prin niciun mijloc, nici utilizată pentru obținerea unor derivate precum traduceri, transformări sau adaptări, fără consimțământul prealabil al companiei NETWORK ONE DISTRIBUTION.

Copyright © 2013 Network One Distribution. Toate drepturile rezervate.

[www.heinner.com](http://www.heinner.com), <http://www.nod.ro>

<http://www.heinner.com>, <http://www.nod.ro>



Acest produs este proiectat și realizat în conformitate cu standardele și normele Comunității Europene.



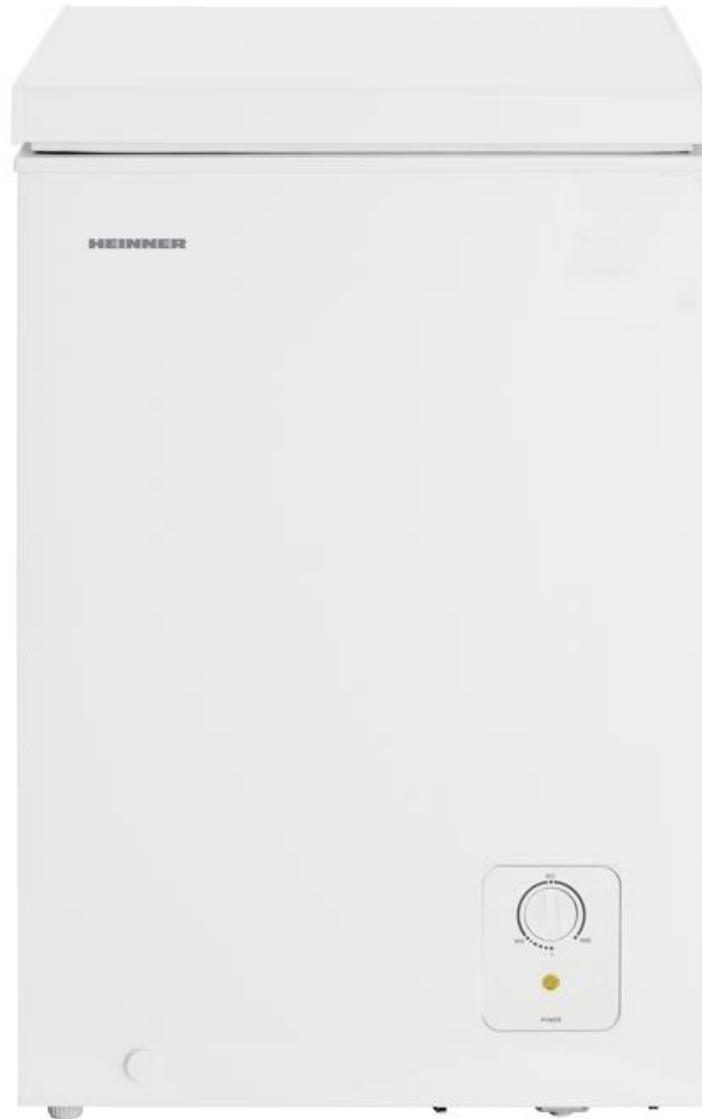
Importator: **Network One Distribution**

Str. Marcel Iancu, nr. 3-5, București, România

Tel: +40 21 211 18 56, [www.heinner.com](http://www.heinner.com), [www.nod.ro](http://www.nod.ro)

# ФРИЗЕРНА РАКЛА

Модел:  
**HCF-HS95E++**



- Общ капацитет: 95 л.
- Енергиен клас: E

**HEINNER**

## 1. УПОТРЕБА

Моля прочетете внимателно инструкциите и запазете наръчника за бъдещи справки. Този наръчник има за цел да Ви предостави всички необходими инструкции по отношение на инсталирането, използването и поддържането на уреда. Преди инсталиране и използване на уреда, с цел правилна и безопасна употреба на уреда, моля прочетете внимателно този наръчник с инструкции.

## 2. СЪДЪРЖАНИЕ НА ВАШИЯ ПАКЕТ

- ➔ Фризерна ракла
- ➔ Наръчник за употреба
- ➔ Сертификат за гаранция

## 3. ПРЕДУПРЕЖДЕНИЯ ОТНОСНО БЕЗОПАСНОСТТА

За Вашата безопасност и за правилна употреба, преди да инсталирате и използвате устройството за първи път, прочетете внимателно този наръчник за потребителя, включително препоръките и предупрежденията. За да се избегнат излишни грешки и злополуки е много важно да се уверите, че всички хора, които използват устройството са запознати с начина на експлоатация и мерките за безопасност. Запазете тези инструкции и се уверете, че ще останат заедно с уреда, ако той бъде преместен или продаден, така че всеки, който го използва в срок на неговата експлоатация да бъде добре информиран във връзка с неговата употреба и с мерките за сигурност. За безопасност на живота и имуществото, спазвайте разпоредбите в този наръчник за потребителя, тъй като производителя не носи отговорност за щетите причинени поради пропуски.

### Безопасност за деца и други уязвими лица

#### Съгласно стандарт EN

Уредът може да се използва от деца на възраст най-малко 8 години и от лица с намалени физически, сетивни или умствени способности, или с липса на достатъчен опит и познания, само ако са под наблюдение или са получили указания във връзка с използването на уреда по безопасен начин и ако разбират опасностите, които могат да възникнат при използване на уреда. Децата нямат право да си играят с уреда. Почистването и поддръжката не трябва да се извършват от деца, които не са под наблюдение.

#### Съгласно стандарт IEC

Устройството не е предназначено за използване от лица (включително деца) с намалени физически, сензорни или умствени способности, или които нямат необходимите опит и познания, освен ако са наблюдавани или са били обучени относно използването на уреда от лице, отговорно за тяхната безопасност.

Не оставяйте опаковките на достъпни места за деца. Опасност от задушаване.

За да избегнете ситуации, в които децата могат да пострадат от токов удар или да се затворят вътре в устройството, преди да го изхвърлите, изключете щепсела от контакта, отрежете захранващия кабел (възможно най-близо до устройството) и премахнете вратата на уреда.

Ако това устройство (което е снабдено с магнитна система за затваряне) заменя по-стар уред, снабден с пружинно затваряне (клипс) на вратата или на капака, преди да изхвърлите старото устройство се уверете, че пружинното затваряне не може да се използва повече. По този начин децата не могат да останат блокирани вътре.

Децата на възраст над 3 години имат право да поставят и изваждат храни от хладилните уреди (тази разпоредба е приложима само за страните от ЕС).

### Общи мерки за безопасност

Предупреждение! Този уред е предназначен за използване в жилища и други подобни помещения:

1. кухни на персонала в магазини, офиси и други работни среди;

2. в домакинствата и от клиенти на хотели, мотели и други жилищни среди;
3. среди от тип пансион с предлагана закуска;
4. дейности от вида на кетъринг и доставки на едро.

Предупреждение! Не съхранявайте в това устройство взривни вещества, като аерозолни спрейове със запалима течност.

Предупреждение! Ако захранващият кабел е повреден, той трябва да се подмени от производителя, сервизния персонал или от лица с подобна квалификация, за да се избегнат евентуални опасности.

Предупреждение! Уверете се, че отворите за проветрение върху корпуса на уреда или върху неговото тяло не са запушени.

Предупреждение! Не използвайте механични устройства или други средства за ускоряване на процеса за размразяване освен тези, които са препоръчани от производителя.

Предупреждение! Не повреждайте мрежата на хладилния агент.

Предупреждение! Не използвайте електрически уреди на местата за съхраняване на храни в този уред, освен ако са от типа на тези, които се препоръчват от производителя.

Предупреждение! Хладилният агент и изолационният газ са запалими. Елиминирайте уреда само чрез депониране в оторизиран център за елиминиране на отпадъци. Не излагайте уреда на огън.

Предупреждение! Хладилният агент и изолационният газ са запалими. Елиминирайте уреда само чрез депониране в оторизиран център за елиминиране на отпадъци. Не излагайте уреда на огън.

Предупреждение! Когато позиционирате уреда, уверете се, че не сте смачкали или повредили захранващия кабел.

Предупреждение! Не поставяйте зад уреда разклонители за контакт или преносими източници на захранване.

## Смяна на крушки

Крушките не трябва да се сменят от потребителя! Ако крушките се повредят, обърнете се към специализиран сервиз. Това предупреждение е валидно само за уреди, оборудвани с осветителни лампи.

## Хладилният агент

Охладителната верига на уреда съдържа хладилен агент R600a (изобутан) или R290 или R134a, като това са газове с висока степен на съвместимост с околната среда, а R600a и R290 са запалими. По време на транспортирането и монтажа на устройството се уверете, че нито един от компонентите на хладилната верига не е повреден. Хладилните агенти R600a и R290 са запалими.

Предупреждение! Хладилниците съдържат хладилен агент и изолационни газове. Хладилният агент и газовете трябва да бъдат обезвредени по съответстващ начин, защото могат да предизвикат очни наранявания или могат да се запалят. Преди обезвреждане, уверете се, че системата от тръбопроводи на охлаждащия кръг не е повредена.

Предупреждение!



Опасност от пожар/запалими материали Ако охладителната верига е повредена:

1. Избягвайте употребата на открит пламък и източници за запалване.
2. Проветрете добре стаята, в която се намира устройството.

Всякаква промяна на спецификациите или на продукта е опасна. Всяка повреда на захранващия кабел може да създаде риск от късо съединение, пожар или токов удар.

## Електрическа безопасност

1. Не удължавайте захранващия кабел.
2. Уверете се, че щепсела не е смачкан или повреден. В случай, че захранващият кабел е смачкан или повреден, той може да прегрее и да причини пожар.
3. Уверете се, че имате достъп до щепсела на устройството.
4. Не дърпайте захранващия кабел.
5. Ако контакта, в който трябва да се включи щепсела е разхлабен, не включвайте щепсела в него. Съществува риск от токов удар и пожар.
6. Не употребявайте устройството без капак на лампата за вътрешно осветление.

7. Уредът може да се захранва само от еднофазна променлива електрическа верига, от 220-240V / 50Hz. Ако промените в напрежението в зоната, в която живее потребителят, не попадат в границите на диапазона на напрежение по-горе, за безопасност, използвайте автоматичен регулатор на напрежението AC с мощност по-голяма от 350 W. Уредът трябва да се захранва от отделен контакт, а не от контакт, към който са свързани и други електрически уреди. Щепселът трябва да е съвместим с контакта за заземяване.

## Ежедневна употреба

- Не съхранявайте газове или запалими течности в устройството; съществува риск от експлозия.
- Не използвайте електрически устройства във вътрешността на уреда (например електрически устройства за правене на сладолед, миксери и др.).
- Когато го изключвате от контакта, винаги изваждайте щепсела от контакта, не дърпайте кабела.
- Не поставяйте горещи предмети върху пластмасовите компоненти на устройството.
- Този хладилен уред не е предназначен за използване като вграден уред.
- Не поставяйте храни точно до отвора за извеждане на въздух, който се намира на задната стена от вътрешността на уреда.
- Съхранявайте опакованите замразени храни в съответствие с инструкциите на производителя на замразените храни.
- Спазвайте стриктно препоръките за съхранение от страна на производителя на това устройство. Вижте съответните указания.
- Не складирайте газирани напитки в хладилната камера, т.к. се образува налягане в бутилките и могат да експлодират, като ще последва повреждане на уреда.
- Съхранявайте опакованите замразени храни в съответствие с инструкциите на производителя на замразените храни.
- Спазвайте стриктно препоръките за съхранение от страна на производителя на това устройство. Вижте съответните указания.
- Не складирайте газирани напитки в хладилната камера, т.к. се образува налягане в бутилките и могат да експлодират, като ще последва повреждане на уреда.
- Замразените храни могат да предизвикат измръзване, ако се консумират директно от фризера.
- Не излагайте устройството на пряка слънчева светлина.
- Дръжте запалени свещи, лампи и други предмети с отворен пламък възможно най-далече от устройството, така че то да не се запали.
- Устройството е предназначено за съхранение на хранителни продукти и/или напитки в обикновено жилище, както е обяснено в този наръчник за потребителя.
- Устройството е тежко. Премествайте го внимателно.
- Не изваждайте и не докосвайте предмети от фризера, ако ръцете Ви са влажни / мокри, защото това може да причини увреждания на кожата или измръзване.
- Никога не използвайте основата, чекмеджетата, вратите и др., за да се качвате върху тях или като подложка.
- Не замразявайте повторно размразени храни.
- Не яжте сладолед или ледени кубчета директно от фризера, защото могат да причинят измръзване на устата или устните.
- За да предотвратите падане на предмети и причиняване на телесни наранявания или повреждане на уреда, не претоварвайте рафтовете върху вратата и не поставяйте твърде много храни в контейнера за плодове и зеленчуци.

## Почистване и поддръжка

- Преди мерките за поддръжка, изключете устройството и извадете щепсела от контакта.
- Не почиствайте устройството с метални предмети, почистващи уреди на пара, етерични масла, органични разтворители или абразивни прахове.
- Не използвайте остри предмети за отстраняване на леда от устройството. Използвайте пластмасова стъргалка.

## Инсталиране

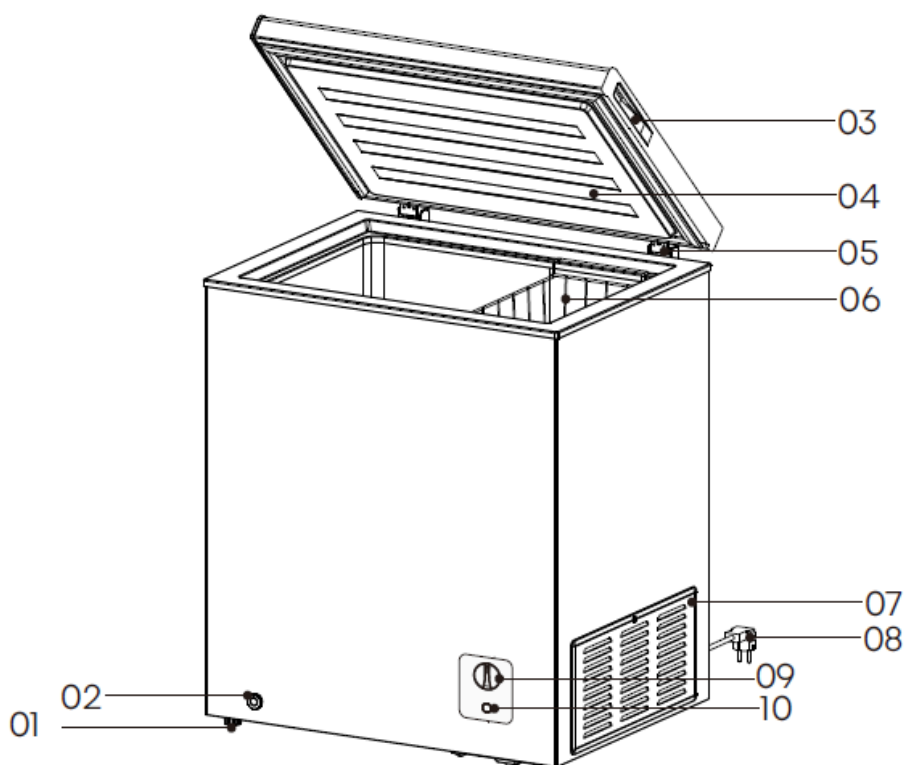
- За свързване на уреда към източник на захранване с електроенергия, следвайте внимателно инструкциите от настоящия наръчник. Разопаковайте устройството и проверете за повреди.
- Ако уреда е повреден, не го свързвайте към източника за захранване. Ако устройството е повредено, незабавно съобщете това на търговеца, от който сте го закупили. В такъв случай запазете опаковката.

- Препоръчваме Ви да изчакате най-малко четири часа, преди да свържете устройството към електрическата мрежа, за да може маслото да има време да се върне в компресора.
- Въздухът трябва да може да се движи свободно около устройството. Без тази вентилация, уреда може да прегрее. За да получите подходяща вентилация спазвайте инструкциите за инсталиране.
- Задната страна на продукта не трябва да се намира твърде близо до стената, за да се предотврати контакта или захващането на топлите компоненти (компресор, кондензатор). За предотвратяване на риска от възникване на пожар, следвайте инструкциите за инсталиране.
- Не поставяйте устройството близо до радиатори или готварски печки.
- Уверете се, че имате достъп до щепсела, след инсталиране на устройството.

## Ремонти

- Електрическата работа за ремонтване на уреда трябва да се извършва от квалифициран електротехник или от специализиран персонал.
- Продуктът трябва да бъде ремонтиран от оторизиран сервизен център, като се използват само оригинални резервни части.
  1. Ако уредът е оборудван със система "Frost Free".
  2. Ако уредът е оборудван с хладилна камера.

## 4. ОПИСАНИЕ НА ПРОДУКТА



1. Краче	6. Кошница
2. Отвор за изтичане	7. Страничен капак
3. Дръжка на вратата	8. Захранващ кабел
4. Врата	9. Бутон за регулиране на температурата
5. Панта	10. Индикатор за захранване



- Поради непрекъснатите подобрения на продуктите, Вашият хладилник може да е малко по-различен от описания в този наръчник за употреба, но функциите и начинът на употреба си остават същите.
- За да бъде този продукт възможно най-ефективен, моля, поставете рафтовете и чекмеджетата в позициите, които са показани в изображението по-горе.
- Никога не докосвайте с влажни ръце вътрешността на фризерното отделение или замразените храни в отделението, тъй като това може да причини измръзване.

## 5. ИНСТАЛИРАНЕ

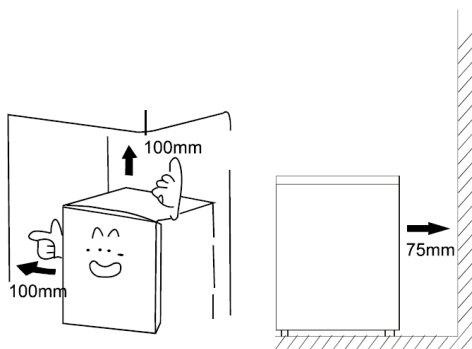
Преди първата употреба на уреда, моля, прочетете препоръките по-долу.

### Проветряване на уреда

За висока ефективност на охлаждането и ниска консумация на електроенергия трябва да има добра вентилация около уреда, за да се улесни разсейването на топлината. За тази цел трябва да оставите достатъчно свободно пространство около уреда.

Препоръка:

Препоръчваме Ви да оставите разстояние 75 мм между задната страна на уреда и стената и най-малко 100 мм от двете страни.



Забележка:

Този уред функционира по съответстващ начин в климатични класове от SN до ST или T (моля, вижте типа климат, отбелязан на табелката с технически данни, разположена в задната страна на продукта). Ако уредът е оставен за по-дълъг период при по-висока или по-ниска температура спрямо посочените граници на интервала, е възможно той да не функционира вече правилно.

Климатичен клас	Околна температура
SN	от +10°C до +32°C
N	от +16°C до +32°C
ST	от +16°C до +38°C
T	от +16°C до +43°C

Инсталирайте уреда на сухо място и с ниска относителна влажност. Не излагайте уреда на пряка слънчева светлина, дъжд или студ. Инсталирайте уреда далеч от източници на топлина като печки или нагреватели.

### Нивелиране на уреда

За осигуряване на ефикасно нивелиране и оптимална циркулация на въздуха в задната страна на уреда, може да се налага регулиране на крачетата на уреда. Моля, използвайте подходящ ключ.

Този раздел съдържа инструкции относно начина на използване на повечето полезни характеристики на уреда. Моля прочетете внимателно тези инструкции преди да използвате уреда.

Предупреждение! За съответстващо инсталиране, този уред трябва да бъде поставен върху

хоризонтална и твърда повърхност, разположена на същото ниво като останалата част на пода. Устойчивостта на тези повърхности трябва да позволява поддържането на цялостно зареден уред.

### Използване на фризерното отделение

- Отделението е подходящо за съхраняване на храни, които изискват замразяване, като месо, риба, сладолед и други нетрайни продукти.
- Внимание! Уверявайте се, че не са оставени стъклени бутилки във фризера за по-дълго време от необходимото, тъй като могат да се счупят. Бутилираните или консервираните течности представляват риск от експлозия, причинена от увеличаването на обема, и следователно не трябва да се съхраняват във фризерното отделение.

### Преди употреба

- Отстранете опаковката, лепилната лента и др. и оставете вратите отворени за известно време, за да проветрите уреда. Уредът е почистен преди доставката.
- Въпреки това, Ви препоръчваме да почистите вътрешността на отделенията след доставката.
- Включете щепсела на кабела в заземен монофазен контактен ключ с напрежение 220-240V.
- Преди да вкарате храни в уреда, оставете уреда да функционира около 1 час, за да се охлади.
- Изчакайте най-малко 5 минути преди повторно включване.
- Повторното включване на уреда веднага след изключване може да доведе до изгаряне на предпазителя и до активиране на прекъсвача, до претоварване на компресора и/или до други повреди.

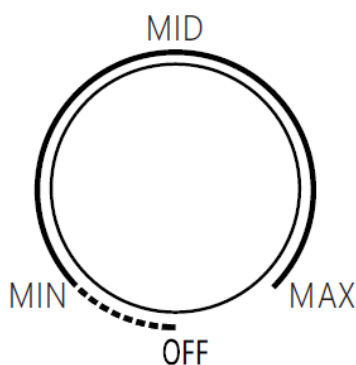
### Предупреждение

- Не използвайте уреда за складиране на вода или на храни, които изискват складиране във вода.
- Не поставяйте директно в уреда пресни морски дарове, които съдържат вода.

## 6. РЕГУЛИРАНЕ НА ТЕМПЕРАТУРАТА

- Термостатът е настроен в зависимост от температурата във фабриката. Така че, моля, не го докосвайте. Прекомерното охлаждане ще увеличи ненужно потреблението на електроенергия.
- Ако е необходимо да регулирате температурата, завъртете бутона за регулиране на температурата на настройка MAX. Ако уредът охлажда твърде много, завъртете бутона за регулиране на температурата на настройка MIN.
- Ако желаете да изключите временно уреда, завъртете бутона за регулиране на температурата на позиция OFF/O или извадете щепсела от контакта.
- За да замразявате бързо пресни храни, Ви препоръчваме да оставите уреда да функционира при настройката за минимална температура за 24 часа, след което да върнете уреда при настройката за средна температура.

Забележка: Настройването на висока температура ускорява процеса на разваляне на храната..



## 7. ПОЧИСТВАНЕ И ОПАЗВАНЕ

По хигиенни причини уредът (включително външните и вътрешните аксесоари) трябва да се почиства редовно, най-малко един път на всеки два месеца.

Предупреждение:

- По време на почистване, устройството трябва да е изключено от източника на енергия. Опасност от токов удар!
- Преди извършване на операциите за почистване, изключете уреда и извадете щепсела от контакта.

### Почистване на външната част на уреда

За да запазите външния вид на Вашия уред, трябва да го почиствате периодично.

- Избършете цифровия панел и екрана с чиста и мека кърпа.
- Напръскайте с вода върху кърпата, а не директно върху повърхността на уреда. Това помага за равномерно разпределение на влажността върху повърхностите.
- Почистете вратите, дръжките и повърхностите на корпуса с мек препарат за миене, след това избършете ги с мека абсорбираща кърпа.

Предупреждение:

- Не използвайте остри предмети, т.к. могат да надраскат повърхностите. Не използвайте разреждател, автомобилен почистващ препарат, хлор, етерични масла, абразивни почистващи агенти или органични разтворители.
- Те могат да повредят повърхността на уреда и могат да причинят пожар.

### Почистване на вътрешната част на уреда

- Вътрешната част на уреда трябва да се почиства периодично. Вътрешната част може да се почиства по-лесно тогава, когато в уреда има малко храни. За по-щателно почистване може да извадите рафтовете или кошницата.
- Избършете вътрешната част на уреда с разреден разтвор от натриев бикарбонат. Изплакнете с топла вода, като използвате гъба или влажна кърпа. Избършете рафтовете или кошницата старателно, преди да ги поставите обратно на място.
- Избършете добре всички подвижни повърхности и компоненти.

### Почистване преди употреба

Преди да използвате уреда за първи път, измийте вътрешната част и всички вътрешни аксесоари с леко топла вода и с неутрален препарат за миене, за да отстраните специфичната миризма на нов продукт, след това изсушете ги добре.

### Размразяване

Фризерното отделение трябва да се размразява два или три пъти годишно, когато дебелината на леда е около 4 мм. За да размразите, следвайте стъпките по-долу:

- Настройте термостата на степен за максимална температура поне 12 часа преди размразяването.
- След като изтече този период, изключете уреда чрез изваждане на щепсела от източника на храняване с електроенергия.
- Извадете всички храни от уреда и ги увийте във вестникарска хартия, след което ги съхранявайте на хладно място и оставете вратата отворена.
- Когато размразяването приключи, отделението трябва да се почисти и избърше.
- Включете уреда с термостата, настроен на максимална температура, и изчакайте поне един час, преди да поставите храната обратно в уреда.
- След няколко часа термостатът може да се регулира обратно към първоначалната настройка.

Предупреждение:

- Не използвайте механични устройства или други средства за ускоряване на процеса за размразяване освен тези, които са препоръчани от производителя.
- Не използвайте електрически уреди във вътрешността на отделенията за съхранение на храни на този уред, освен ако са от препоръчания тип от производителя.

## Проверки

С цел безопасност извършвайте следните проверки след почистване на уреда:

- Уверете се, че щепселът на захранващия кабел е вкаран по съответстващ начин в уреда. Уверете се, че щепселът не е много горещ.
- Проверявайте захранващия кабел, за да се уверите, че не е пукнат или повреден. Ако забележите някаква повреда, свържете се с търговеца, от когото сте закупили този уред, или с нашия отдел за обслужване на клиенти.

## Почистване на уплътнителите на вратата

Пазете уплътнителите на вратата чисти.

Лепкавите храни и напитки могат да предизвикат залепване на уплътнителите за корпуса и могат да се скъсат, когато отворите вратата.

Измивайте уплътнителите с мек препарат за миене на съдове и топла вода.

След почистване изплакнете и избършете добре уплътнителите.

## 8. ПОЛЕЗНИ СЪВЕТИ/ПРЕПОРЪКИ

### Съвети за икономия на електроенергия

Препоръчваме Ви да следвате съветите по-долу с оглед икономия на електроенергия.

- За икономия на електроенергия, моля не оставяйте вратата отворена за дълго време.
- Уверете се, че уредът не е инсталиран в близост до източници на топлина (пряка слънчева светлина, електрическа или газова фурна и др.).
- Не настройвайте температурата на по-ниско ниво от необходимото.
- Не съхранявайте в уреда топла храна или течности, които се изпаряват.
- Инсталирайте уреда в добре проветрено помещение, с ниска относителна влажност. Моля вижте главата относно инсталацията на уреда.
- Ако описателната схема на уреда показва правилна конфигурация за чекмеджетата, кошницата за плодове и зеленчуци и рафтовете, моля, не променяйте тази конфигурация, тъй като тя е специално проектирана за постигане на ефективност при потреблението на електроенергия.

### Препоръки относно охлаждането на пресните храни

- Не поставяйте горещи храни директно в хладилника или камерата, защото вътрешната температура ще се увеличава, компресорът ще работи повече време и разходът на електроенергия ще се увеличава.
- Покрийте или опаковайте храните, особено ако образуват силни миризми.
- Поставяйте храните по съответстващ начин, така че въздухът да може да циркулира свободно около тях.
- Уверете се, че замразените храни са съхранявани правилно от търговците.
- След размразяване храните се развалят бързо и не трябва да се замразяват повторно.
- Не превишавайте периода за съхранение, посочен от производителя на храните.

### Съхраняване на храни

За да избегнете заразяването на храни, спазвайте инструкциите по-долу.

- Когато охлаждайте храни, уверявайте се, че не се допират до вътрешните повърхности на отделенията на уреда.
- Когато замразявате храни, за предотвратяване на тяхното изсушаване и на разпространението на миризми, съхранявайте ги в плътно затворени съдове или торбички, произведени от материали, които нямат вкус и са водоустойчиви и нетоксични.
- Горещите храни трябва да се оставят да се охладят до стайната температура и след това да се поставят във фризерното отделение. В противен случай ще повлияят на състоянието на другите храни и ще увеличат разхода на електроенергия.
- Ако вратата на уреда е оставена отворена за дълъг период от време, температурата в отделенията на уреда се увеличава значително.
- Почиствайте периодично повърхностите, които могат да влязат в контакт с храните, както и източващите системи на уреда.
- Съхранявайте суровото месо и прясната риба в подходящи съдове, така че продуктите да не влизат в контакт с други храни.
- Фризерните отделения с две звезди са подходящи за съхранение на предварително замразени храни, за съхранение или приготвяне на сладолед и за производство на кубчета лед.
- Отделенията с една, две и три звезди не са подходящи за замразяване на пресни храни.

Пореден номер	Тип на отделението	Препоръчвана температура за съхранение [°C]	Подходящи храни
1	Охлаждане	+2~+6	Яйцата, готвените храни, пакетирани храни, плодовете и зеленчуците, млечните продукти, сладкишите и напитките не са подходящи за замразяване.
2	(***)*-Замразяване	≤-18	Морските дарове (рибата, скаридите, ракообразните), водните и месните продукти са подходящи за замразяване (препоръчва се тяхното съхранение за 3 месеца; колкото повече е времето за съхранение, толкова повече се губят вкуса и хранителните свойства).
3	***-Замразяване	≤-18	Морските дарове (рибата, скаридите, ракообразните), водните и месните продукти не са подходящи за замразяване (препоръчва се тяхното съхранение за 3 месеца; колкото повече е времето за съхранение, толкова повече се губят вкуса и хранителните свойства).
4	***-Замразяване	≤-12	Морските дарове (рибата, скаридите, ракообразните), водните и месните продукти не са подходящи за замразяване (препоръчва се тяхното съхранение за 2 месеца; колкото повече е времето за съхранение, толкова повече се губят вкуса и хранителните свойства).
5	*-Замразяване	≤-6	Морските дарове (рибата, скаридите, ракообразните), водните и месните продукти не са подходящи за замразяване (препоръчва се тяхното съхранение за 1 месец; колкото повече е времето за съхранение, толкова повече се губят вкуса и хранителните свойства).

Предупреждение! Опаковайте храните в торбички и поставете течностите в бутилки или в покрити съдове, преди да ги поставите в уреда, за да се избегне замърсяването на вътрешните му компоненти.

Моля, съхранявайте храните в подходящите отделения и при препоръчаните температури за съхранение.

Ако хладилният уред ще бъде оставен празен за дълъг период от време, изключете го, размразете го, почистете го, избършете го добре и оставете вратата му отворена, за да се предотврати образуването на мухъл във вътрешността му.

### Изключване на уреда

Ако уредът следва да бъде изключен за по-дълго време, изпълнете стъпките по-долу, за да се предотврати образуването на плесен.

1. Извадете всички храни от уреда.
2. Изключете щепсела от източника за захранване с енергия.
3. Почистете и подсушете добре вътрешната част.
4. Уверете се, че вратите са претворени, за да се позволи циркулация на въздуха.

### Обезвреждане (изхвърляне) на уреда

Забранява се изхвърлянето на този уред заедно с битовите отпадъци.

#### Опаковъчни материали

Материалите, маркирани със символа за рециклиране, могат да се рециклират. Изхвърляйте опаковките в специални контейнери, предназначени за рециклиране.

#### Преди изхвърляне на уреда

1. Изключете щепсела от източника за захранване с енергия.
2. Отрежете захранващия кабел и изхвърлете го заедно със щепсела.


Предупреждение! Фризерите съдържат хладилен агент и изолационни газове. Хладилният агент и газовете трябва да бъдат обезвредени по съответстващ начин, защото могат да предизвикат очни наранявания или могат да се запалят. Преди обезвреждане, уверете се, че системата от тръбопроводи на охлаждащия кръг не е повредена.

## 9. ОТСТРАНЯВАНЕ НА ПОВРЕДИ

Ако имате проблеми с уреда или се притеснявате, че не функционира правилно, може да извършите някои прости проверки, преди да поискате специализирана техническа помощ. За тази цел, моля, вижте таблицата по-долу.

Предупреждение! Не се опитвайте да ремонтирате уреда сами. Ако проблемът продължава да съществува след извършване на посочените по-долу проверки, свържете се с оторизиран сервиз.

Проблем	Вероятна причина и решение
Уредът не функционира правилно.	Уверете се, че щепселът е поставен правилно в електрическия контакт и че бутонът за регулиране на температурата се намира в позиция OFF, Off или 0.
	Проверете предпазителя или захранващата верига; ако е необходимо, сменете предпазителя.
	Околната температура е твърде ниска. Опитайте да увеличите стайната температура, за да разрешите този проблем.
Отделенията излъчват неприятни миризми.	Може да се налага почистване на вътрешната част на уреда.
	Някои храни, съдове или опаковки излъчват миризми.

<p>Уредът образува шумове.</p>	<p>Изброените по-долу шумове са нормални:</p> <ul style="list-style-type: none"> <li>• Шумове, причинени от функционирането на компресора.</li> <li>• Шумове, предизвикани от въздушното течение, произхождащо от вентилатора, в отделението за замразяване или в други отделения.</li> <li>• Шумолене, подобно на шума, който се образува от водата.</li> <li>• Тракания преди включване на компресора.</li> </ul> <p>Други необичайни шумове могат да имат една от причините по-долу и може да се налага предприемането на мерки:</p> <ul style="list-style-type: none"> <li>• Уредът не е нивелиран.</li> <li>• Задната страна на уреда се допира до стената.</li> <li>• Бутилките или съдовете се удрят едни в други.</li> </ul>
<p>Неадекватно охлаждане.</p>	<ul style="list-style-type: none"> <li>• Мястото на поставяне добре ли е вентилирано?</li> <li>• Уредът изложен ли е на пряка слънчева светлина, поставен ли е в близост до нагревател или печка?</li> <li>• Често ли се отварят и затварят капациите?</li> <li>• Съхраняват ли се продукти над линията, която маркира границата на зареждане?</li> <li>• Образува ли се много лед в уреда?</li> </ul>
<p>Образува се конденз по външните повърхности на уреда.</p>	<p>Може да се образува конденз по външните повърхности на уреда и по вратата в горещи и влажни дни или в зависимост от мястото на инсталиране. Това явление възниква, когато влажността е висока и водните частици във въздуха се допрат до студени повърхности. Това е нормално. Отстранете конденза със суха попивателна кърпа.</p>
<p>Усеща се топлина около уреда.</p>	<ul style="list-style-type: none"> <li>• Може да се усеща топлина около уреда, особено през лятото или при пускане в експлоатация. Уредът е оборудван с тръба, която предотвратява образуването на конденз.</li> <li>• Топлината не влияе на продуктите във вътрешността на уреда.</li> </ul> 
<p>Прекъсване на захранването с енергия</p>	<p>За да се предотврати излизането на студен въздух от уреда, затваряйте бързо неговата врата и дръжте вратата отворена най-кратко възможно време.</p> <p>Избягвайте вкарването на нови хранителни продукти в уреда, тъй като това ще доведе до повишаване на температурата във вътрешността на отделението.</p> <p>В случай на продължително прекъсване на захранването с електроенергия, поставете сух лед в уреда.</p>
<p>Проблеми на захранващия кабел</p>	<p>Ако захранващият кабел е повреден, трябва да се подмени със специален кабел, който е наличен при производителя или при неговия представител.</p> <p>Уредът трябва да се разположи така че щепселът да е лесно достъпен.</p>
<p>В случай на неизползване за дълго време</p>	<p>Извадете всички продукти от уреда и изключете щепсела от източника на захранване с електроенергия.</p> <p>Избършете вътрешността на уреда и останалата вода в него.</p>

	За да се предотврати появата на мухъл и неприятни миризми, оставете вратата отворена, така че вътрешността на уреда да изсъхне напълно.
Транспорт	Изключете щепсела от източника на захранване с електроенергия.
	По време на преместване на уреда, уверете се, че крачетата му не повредят захранващия кабел.
	Не допускате крачетата да се удрят в стъпала, прагове и др.
Временно съхранение	Поставете парче дърво или друг подобен предмет между вратата и основния корпус, за да се възпрепятства пълното затваряне на вратата.
	Уверете се, че не съхранявате неизползваната фризерна ракла на място, където децата си играят.
	Ако дете влезе в отделението на уреда и вратата се затвори, възможно е детето да не може да отвори вратата отвътре.
Лампата не свети (само за модели, оборудвани с лампа).	<ul style="list-style-type: none"> <li>Светодиодът може да е повреден. Вижте раздела за смяна на светодиода.</li> <li>Системата за контрол е деактивирала осветлението защото вратата е била държана отворена твърде много време; затворете и отворете отново вратата за да активирате отново осветлението.</li> </ul>
Може да чуете бълбукането на водата във вътрешността на уреда.	Това е нормално. Шумът се образува от хладилния агент, който циркулира през тръбите на уреда.

## СЕРВИЗ И ОБСЛУЖВАНЕ НА КЛИЕНТИ

Използвайте само оригинални резервни части. Когато се свързвате с нашия оторизиран сервизен център, уверете се, че имате под ръка следната информация: Наименование на модела и сериен номер. Информацията може да бъде намерена на табелката с технически данни. Те подлежат на промяна без предварително уведомление.

## ТЕХНИЧЕСКИ

## ДАНИИ

Техническата информация се намира на табелката с технически данни на уреда и на енергийния етикет.

QR кодът на енергийния етикет, предоставен заедно с уреда, предлага уеб връзка към информацията в базата данни на EPREL относно постиженията на уреда. Запазете енергийния етикет за бъдещи справки, заедно с ръководството за употреба и с всички други документи, предоставени заедно с този уред. Също така, можете да намерите същата информация в базата данни на EPREL, като използвате връзката <https://eprel.ec.europa.eu> и наименованието на модела и серийния номер на продукта, които можете да намерите на табелката с технически данни на уреда. За достъп до информация за вашия продукт в портала EPREL можете да сканирате кодовете по-долу:





Благодарим ви, че закупихте този продукт! Ако имате нужда от помощ във връзка с вашия продукт, посетете нашия уебсайт, като използвате връзките по-долу:  
**Получете ръководства за употреба:** <https://www.heinner.ro>  
**Получете информация относно ремонтите:** <https://www.heinner.ro>



**Изхвърляне на отпадъците по начин, отговорен за околната среда**

Можете да помогнете за опазването на околната среда!

Моля спазвайте местните разпоредби: Предайте нефункциониращото електрическо оборудване на център за събиране на отпадъци от електрическо оборудване.



**HEINNER** е регистрирана марка на компанията **Network One Distribution SRL**. Останалите търговски марки и наименованията на продуктите са търговски марки или регистрирани търговски марки на съответните им притежатели.

Нито една част от спецификациите не може да бъде възпроизведена под каквато и да е форма или средство, или използвана за получаване на производни като преводи, трансформации или адаптации, без предварителното съгласие на компанията NETWORK ONE DISTRIBUTION.

Copyright © 2013 Network One Distribution. Всички права запазени.

[www.heinner.com](http://www.heinner.com), <http://www.nod.ro>

<http://www.heinner.com>, <http://www.nod.ro>



Този продукт е проектиран и произведен в съответствие със стандартите и нормите на Европейската общност.



Вносител: **Network One Distribution**

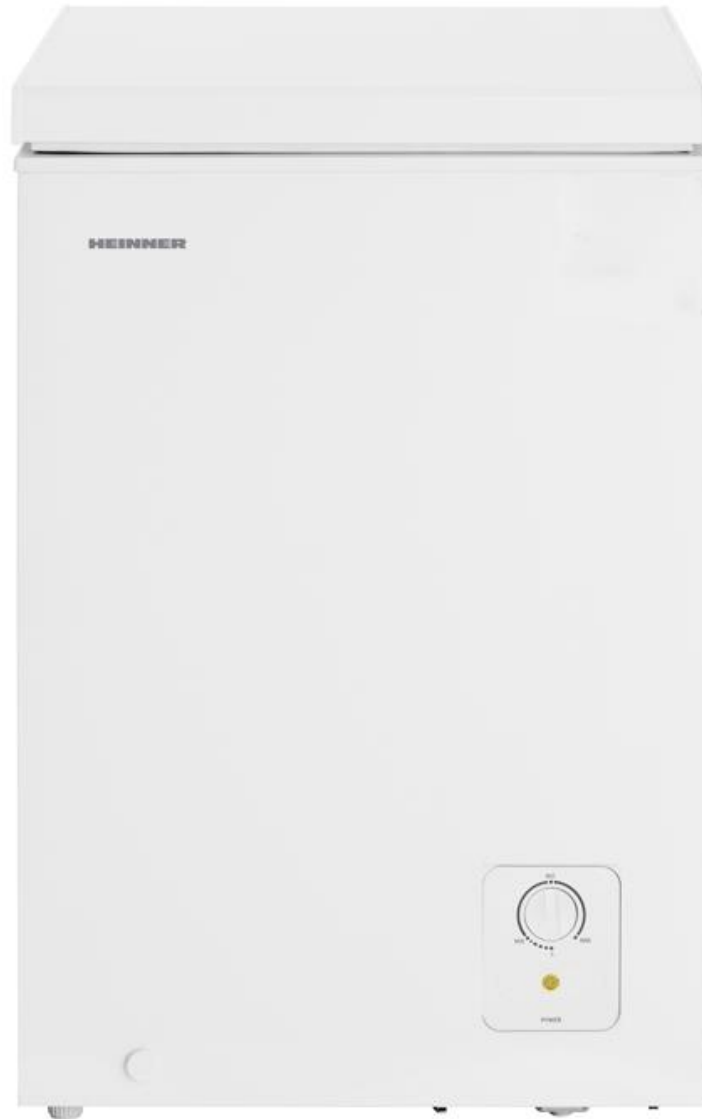
ул. Марчел Янку № 3-5, Букурещ, Румъния

Tel: +40 21 211 18 56, [www.heinner.com](http://www.heinner.com), [www.nod.ro](http://www.nod.ro)

# FAGYASZTÓLÁDA

Modell:

**HCF-HS95E++**



- Teljes kapacitás: 95 L
- Energia hatékonysági osztály: E

**HEINNER**

## 1. BEVEZETÉS

Kérjük, figyelmesen olvassa el az utasításokat, és őrizze meg a kézikönyvet későbbi tanulmányozás céljából. A kézikönyv célja a készülék beszerelésével, használatával és karbantartásával kapcsolatos minden szükséges tudnivalót rendelkezésére bocsátani. A készülék helyes és biztonságos használata érdekében, kérjük, hogy beszerelés és használat előtt olvassa el figyelmesen a használati kézikönyvet.

## 2. AZ ÖN CSOMAGJÁNAK TARTALMA

- ➔ **Fagyasztóláda**
- ➔ **Használati kézikönyv**
- ➔ **Jótállási bizonylat**

## 3. BIZTONSÁGI FIGYELMEZTETÉSEK

Az ön biztonsága és a helyes használat érdekében a készülék felállítása és első használata előtt olvassa el figyelmesen a felhasználó kézikönyvét, az ajánlásokkal és figyelmeztetésekkel együtt. A főleges tévedések és balesetek elkerülése érdekében fontos meggyőződni arról, hogy minden személy, aki a készüléket használja, ismeri a biztonságos működés módját és a biztonsági intézkedéseket. Őrizze meg ezt a kézikönyvet, és gondoskodjon arról, hogy a készülékkel együtt marad, ha azt elköltöztetnék vagy eladnák, s ily módon bárki használja az élettartama alatt, megfelelőképpen tájékozódhasson a használatáról és a szükséges biztonsági intézkedésekről. Életének és vagyonának biztonsága érdekében tartsa be a használati kézikönyv előírásait, mivel a mulasztásokból származó károkért a gyártó nem felel.

### A gyermekek és más érzékeny személyek biztonsága

#### Az EN szabványnak megfelelően

A készüléket 8 év fölötti gyermekek, csökkent fizikai, érzéki vagy szellemi képességekkel, gyakorlattal vagy ismeretekkel rendelkezők csak akkor használhatják, ha felügyelik, vagy felkészítik őket a készülék biztonságos használatára, és ha megértik a készülék használatával járó veszélyeket. Tilos gyermekeknek játszani a készülékkel. A készülék tisztítását és karbantartását nem végezhetik gyermekek felügyelet nélkül.

#### Az IEC szabványnak megfelelően

A készülék nem használható csökkent értelmi, érzékszervi, vagy fizikai képességű személyek által (gyermekeket is beleértve), vagy olyanok által, akik nem rendelkeznek a kellő mennyiségű tudással és tapasztalattal, csak felügyelet mellett, vagy ha a felügyeletért és a biztonságukért felelős személy megtanította őket a helyes használatra.

A csomagolást tartsa gyermekektől elzárt helyen. Vigyázat, fulladásveszély!

Hogy elkerülje a gyerekek bezáródását a készülék belsejébe, vagy áramütés elszenvetését, mielőtt kidobná a készüléket, húzza ki az aljzatból, vágja le az áramellátó kábelt (minél közelebb a készülékhez) és szerelje le a készülék ajtaját.

Ha ez a mágneses ajtóval ellátott készülék, olyan régi készüléket helyettesít, amelynek ajtója, vagy fedele rugóval (retesszel) működik, mielőtt kidobná, bizonyosodjon meg, hogy a rugós rendszer használhatatlan. Így megelőzi, hogy a gyermekek bezáródjanak az eldobott hűtőszekrénybe.

A 3 éves és idősebb gyermekek számára engedélyezett, hogy behelyezzenek és eltávolítsanak élelmiszereket a hűtőszekrényből (ez csak az EU-országokra vonatkozik).

### Általános biztonsági intézkedések

Figyelmeztetés! Ezt a készüléket lakásokban és más hasonló egységekben való használatra gyártották:

1. üzletek, irodák és más munkahelyek személyzetének konyhája;
2. háztartási és szállodák, motelek és más hasonló tartózkodási hely típusú környezet;
3. reggelit is felszolgáló panzió típusú környezet;
4. catering típusú és ehhez hasonló, nem kereskedelmi alkalmazások.

Figyelmeztetés! Ne tároljon a készülékben robbanó anyagokat, mint például aeroszolos gyúlékony üzemanyagot tartalmazó sprayeket.

Figyelmeztetés! A veszély elkerülése érdekében, amennyiben a tápkábel sérült, ezt ki kell cseréltetni a gyártó, a gyártó szervizügynöke, vagy hasonló szakképesítéssel rendelkező személy által.

Figyelmeztetés! Ellenőrizze, hogy a hűtőszekrény szellőzőnyílásai szabadon álljanak.

Figyelmeztetés! Leolvasztáshoz kizárólag a gyártó által ajánlott módszereket használja, ne használjon gépi vagy más eszközt a leolvasztás gyorsítására.

Figyelmeztetés! Ne sértse meg a hűtőfolyadék keringési rendszerét.

Figyelmeztetés! Ne használjon elektromos eszközöket készülék élelmiszer tároló rekeszeiben, kivéve, ha azok a gyártó által ajánlott típusba tartoznak.

Figyelmeztetés! A hűtőanyag és a szigetelőgáz gyúlékony. A készüléket csak hivatalos hulladékgyűjtő központba vigye kiselejtezéskor. Ne égesse el a készüléket.

Figyelmeztetés! A hűtőanyag és a szigetelőgáz gyúlékony. A készüléket csak hivatalos hulladékgyűjtő központba vigye kiselejtezéskor. Ne égesse el a készüléket.

Figyelmeztetés! A berendezés elhelyezése során figyeljen arra, hogy a tápkábelt ne nyomja össze és ne rongálja meg.

Figyelmeztetés! Ne helyezzen a berendezés mögé elosztókat vagy hordozható áramforrásokat.

## Égők cseréje

Az égőket ne a felhasználó cserélje ki! Amennyiben az égők meghibásodnak, cseréjük érdekében forduljon szakképzett személyekhez. Ez a figyelmeztetés csak a világító lámpákkal felszerelt készülékekre vonatkozik.

## Hűtőközeg

A készülék hűtőkörében R600a (izobután) vagy R290 vagy R134a hűtőközeg található, ezek a gázok nagyfokú környezeti kompatibilitással rendelkeznek, az R600a és az R290 gyúlékonyak. Győződjön meg, hogy szállítás és felállítás idején a hűtőfolyadék keringési rendszerének egyetlen eleme sem rongálódott meg. Az R600a és R290 hűtőközegek gyúlékonyak.

Figyelmeztetés! A hűtőszekrények hideghordozó közeget és veszélyes gázokat tartalmaznak. A hideghordozó közeget és a gázokat megfelelő módon kell eltávolítani, mert ezek szemsérüléseket okozhatnak vagy meggyúlhatnak. A készülék mozgatása előtt győződjön meg róla, hogy a hűtőkör csövezete nem sérült.

Figyelmeztetés!



Tűz / gyúlékony anyagok veszélye! A mélyhűtő körfolyam meghibásodása esetén:

1. Kerülje a nyílt láng használatát és a tűzforrásokat.
2. Alaposan szellőztesse ki a helyiséget, amelyben a készülék található.

A készülék jellegzetességeinek bármely megváltoztatása vagy módosítása veszélyes. A tápkábel bármely megrongálódása rövidzárlatot, tüzet és/vagy áramütést okozhat.

## Elektromos biztonság

1. Ne hosszabbítsa meg a tápkábelt.
2. Győződjön meg, hogy a dugó nem zúzódott össze és nem rongálódott meg. Az összezúzott vagy megrongálódott dugó túlhevülhet, és kigyulladhat.
3. Győződjön meg, hogy mindig hozzáférhet a tápkábelhez.
4. Ne rángassa a tápkábelt.
5. Ha meglazult az aljzat, amelybe a dugót be kell dugni, ne használja. Áramütés- és tűzveszély léphet fel.
6. A készüléket ne használja, ha a hűtőteret világító izzólámpa nem működik.
7. A készülék áramellátását egyfázisú váltakozó áramú 220-240V/50Hz-es villamosenergia hálózatról kell biztosítani. Amennyiben a felhasználó lakhelyén a feszültség értéke nem esik a fenti feszültség tartományba, a biztonsági előírásoknak való megfelelés céljából egy automata 350 W-nál nagyobb teljesítményű AC feszültségszabályozó berendezés használatát javasoljuk. A berendezést külön aljzatról kell működtetni, nem olyanról, amelyhez már más elektromos berendezések is csatlakoznak. A dugasznak kompatibilisnek kell lennie a földeléses aljzattal.

## Mindennapos használat

- A készülékben ne tároljon gyúlékony gázokat vagy folyadékokat. Robbanásveszély!
- A készülék belsejében ne használjon elektromos készülékeket (pl. elektromos fagyaltgépet vagy mixert stb.)
- Ha ki akarja húzni a konnektorból, mindig a dugót fogja, ne rángassa a kábelt.
- A készülék műanyag komponensei mellé ne helyezzen forró tárgyakat.
- Ez a hűtőszekrény nem használható beépített készülékként.
- Ne helyezzen élelmiszereket a légelvezető nyílás közvetlen közelébe, amely a berendezés belsejében, annak hátsó falán található.
- A fagyott élelmiszert az élelmiszergyártó utasításainak megfelelően előcsomagolva tárolja.
- Szigorúan tartsa be a készülék gyártójának a tárolásra vonatkozó ajánlásait. Tanulmányozza a tárolásra vonatkozó utasításokat.
- A mélyhűtőben ne tároljon szénsavas italokat, mivel ez túlnyomást gyakorol az edényre, amely emiatt elrobbanhat, és megrongálhatja a készüléket.
- A fagyott élelmiszert az élelmiszergyártó utasításainak megfelelően előcsomagolva tárolja.
- Szigorúan tartsa be a készülék gyártójának a tárolásra vonatkozó ajánlásait. Tanulmányozza a tárolásra vonatkozó utasításokat.
- A mélyhűtőben ne tároljon szénsavas italokat, mivel ez túlnyomást gyakorol az edényre, amely emiatt elrobbanhat, és megrongálhatja a készüléket.
- A fagyasztott élelmiszerek fagyási sérülést okozhatnak, ha közvetlenül a mélyhűtőből kivéve fogyasztja.
- Ne tegye ki a készüléket közvetlen napsugaraknak.
- A gyertyákat, a nyílt lángú lámpákat és egyéb készülékeket tartsa minél távolabb a készüléktől, hogy ne gyúljon meg.
- A készüléket szokványos háztartásban élelmiszerek és/vagy italok tárolására gyártották, amint ezt ez a használati kézikönyv előírja.
- A készülék súlyos. Vigyázzon, amikor költözteti.
- Ne nyúljon nedves/vizes kézzel a fagyasztott termékekhez, mert fagyégési sebeket, vagy bőrkárosodást szenvedhet.
- Sose ne használja a fiókokat, az ajtókat stb. arra a célra, hogy ráálljon vagy posztamensként.
- A kiolvasztott élelmiszereket ne fagyassza le újra.
- Ne fogyasszon fagyaltot vagy jégkockát közvetlenül a mélyhűtőből, mert előidézheti a száj és az ajkak fagyási sérülését.
- A tárgyak leesését, illetve a személyi sérüléseket vagy a berendezés megrongálódását elkerülendő, ne terhelje túl az ajtón található polcokat, továbbá ne helyezzen túl sok élelmiszert a zöldség és gyümölcs tárolására alkalmas fiókokba.

## Tisztítás és karbantartás

- A karbantartási műveletek előtt kapcsolja ki a készüléket és húzza ki az aljzatból a dugót.
- Ne tisztítsa a készüléket fémtárgyakkal, gőzzel működő tisztító készülékekkel, illó olajokkal, szerves oldószerekkel vagy súrló hatású porokkal.
- A jégnek a készülékről való eltávolításához ne használjon éles tárgyakat. Használjon műanyagkaparót.

## Beszereles

- A berendezésnek az elektromos hálózatra való csatlakoztatása során szigorúan kövesse jelen kézikönyv erre vonatkozó utasításait. Csomagolja ki a készüléket, ellenőrizze, hogy nem sérült-e a szállítás során.
- Ha a készülék sérült, ne csatlakoztassa az áramforráshoz. Ha a készülék sérült, az esetleges sérüléseket jelentse azonnal a forgalmazónak, ahonnan a készüléket vásárolta. Ebben az esetben őrizze meg a csomagolást.
- Javasoljuk, hogy a készülék villamos hálózatra csatlakoztatása előtt várjon legalább négy órát, hogy az olaj folyjon vissza a kompresszorba.
- A készülék körül a levegőnek szabadon kell keringenie; szellőzés hiányában a készülék túlhevülhet. A megfelelő szellőzés érdekében tartsa be a szerelési utasításokat.
- A berendezés hátsó része ne legyen túlságosan közel a falhoz, hogy elkerülhető legyen az érintkezés a felforrósodó alkatrészekkel, illetve ezek becsípődése (kompresszor, kondenzátor). A balesetek

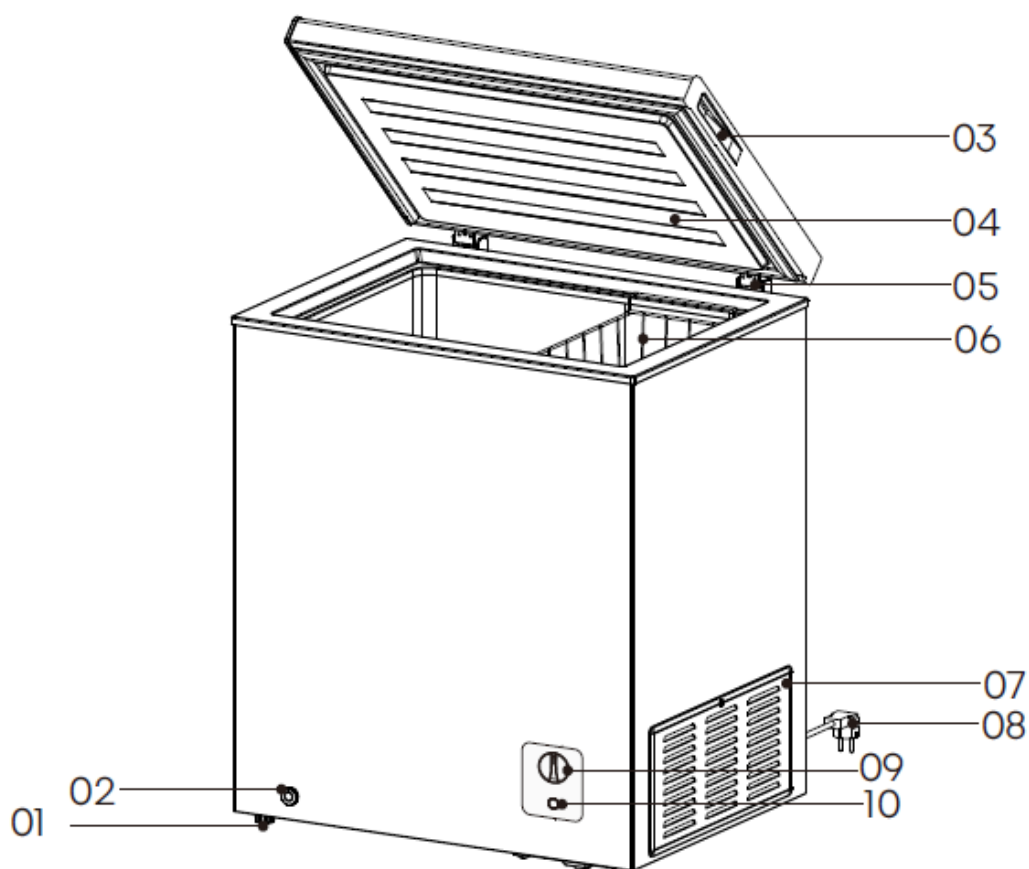
kockázatának elkerülése érdekében kövesse figyelmesen a berendezés üzembe helyezésére vonatkozó utasításokat.

- A készüléket ne helyezze fűtőtestek vagy tűzhelyek közelébe.
- Győződjön meg, hogy a dugóhoz a készülék beszerelését követően is hozzá lehet férni.

## Javítások

- A készülék javításával kapcsolatos elektromos munkálatokat szakképzett villanyszerelőnek vagy szakmailag illetékes személynek kell elvégeznie.
- A készüléket engedélyezett szervizben kell javíttatni, és kizárólag eredeti pótalkatrészeket kell használni.
  1. Ha a készülék rendelkezik Frost Free rendszerrel.
  2. Ha a készülék rendelkezik fagyasztótérrel.

## 4. A TERMÉK LEÍRÁSA



1. Láb	6. Kosár
2. Vízelvezető nyílás	7. Oldalsó fedél
3. Ajtó fogantyúja	8. Tápkábel
4. Ajtó	9. Hőmérsékletszabályozó gomb
5. Zsanér	10. Tápfeszültségjelző

- Tekintettel arra, hogy a termékeket folyamatosan alakítjuk, az Ön hűtőszekrénye enyhén eltérhet a jelen használati útmutatóban leírtaktól, de a funkciói és a használati mód változatlan marad.

- Annak érdekében, hogy ennek a terméknek minél nagyobb hatékonyságot biztosítson, kérjük, a polcokat és a fiókokat a fenti ábrán jelölt módon helyezze el.
- Soha ne érintse nedves kézzel a fagyasztótér belsejét vagy az abban található fagyasztott élelmiszereket, mert ez fagyási sérüléseket okozhat.

## 5. FELSZERELÉS

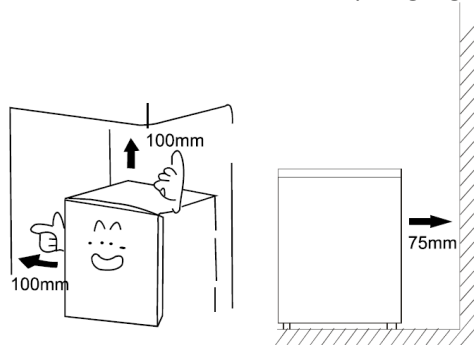
A készülék használatba állítása előtt, kérjük, olvassa el az alábbi javaslatokat.

### A készülék szellőztetése

A hatékony gyorsfagyasztáshoz és az alacsony energiafogyasztáshoz, a hő elosztásának elősegítése érdekében fontos a készülék körüli megfelelő szellőzésnek a biztosítása. Ennek érdekében hagyjon elég szabad helyet a készülék körül.

Javaslat:

Javasoljuk, hogy a készülék hátulja és a fal között 75 mm, oldalt pedig legalább 100 mm távolságot hagyjon.



Megjegyzés:

Ez a készülék SN-ST vagy T klímaosztályban való használatra alkalmas (lásd a termék hátoldalán lévő teljesítményjelző táblán feltüntetett klímátípust). Ha a készüléket hosszabb ideig a meghatározott intervallumhoz viszonyítva túl magas vagy túl alacsony hőmérsékleten hagyja, elfordulhat, hogy a készülék már nem megfelelően működik.

Klímaosztály	Környezeti hőmérséklet
SN	+10 °C-tól +32 °C-ig
N	+16 °C-tól +32 °C-ig
ST	+16 °C-tól +38 °C-ig
T	+16 °C-tól +43 °C-ig

A készüléket száraz, nedvességtől mentes helyre állítsa üzembe. A készüléket ne tegye ki a nap sugarainak, esőnek vagy fagnak. Készülékét helyezze minél távolabb a hőforrásoktól: kályháktól, fűtőtestektől.

### A készülék kiegyensúlyozása

A készülék megfelelő kiegyensúlyozásához, illetve a készülék mögötti térben a levegő megfelelő áramlásához szükséges lehet a készülék lábainak beállítása. Kérjük, megfelelő kulcsot használjon.

Ez a fejezet tartalmazza a készülék legtöbb hasznos jellemvonása használati módjának leírását. A készülék használata előtt kérjük, olvassa el a következő utasításokat.

Figyelmeztetés! A megfelelő felszerelés érdekében ezt a terméket a padló további részével azonos szintű vízszintes és kemény felületre kell helyezni. Ezen felületek szilárdsága lehetővé kell tegye a teljesen feltöltött készülék súlyának megtartását.

### A fagyasztó rekesz használata

- A fagyasztótér alkalmas fagyasztást igénylő élelmiszerek, például hús, hal, jégkrém és egyéb romlandó

termékek tárolására.

- Figyelem! Bizonyosodjon meg róla, hogy az üvegeket nem hagyja a fagyaszóban a szükségesnél tovább, mivel eltörhetnek. A palackozott vagy konzervált folyadékok a megnövekedett térfogat miatt robbanásveszélyesek, ezért nem tárolhatók a fagyasztótérben.

### Használat előtt

- Távolítsa el a csomagolást, szalagot stb., és hagyja nyitva az ajtókat egy ideig, hogy a készülék kiszellőzzön. A készüléket szállítás előtt megtisztították.
- Javasoljuk azonban, hogy a kiszállítás után tisztítsa meg a belső rekeszeket.
- Helyezze be a kábelcsatlakozót egy 220-240 V-os, egyfázisú, földelt fali aljzatba.
- Mielőtt ételt helyezne a készülékbe, hagyja a készüléket kb. 1 órán át működni, hogy lehűljön.
- Az újraindítás előtt várjon legalább 5 percet.
- A készülék azonnali újraindítása annak leállítása után a biztosíték kiégését és a megszakító kioldását, a kompresszor túlterhelését és/vagy egyéb károkat okozhat.

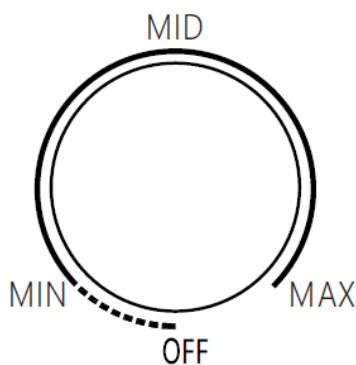
### Figyelmeztetés

- Ne használja a készüléket víz vagy olyan élelmiszerek tárolására, amelyek vízben való tárolását igénylik.
- Ne tegyen friss, vizet tartalmazó tenger gyümölcseit közvetlenül a készülékbe.

## 6. HŐMÉRSÉKLET BEÁLLÍTÁSA

- A termosztátot a gyári hőmérsékletre állították be. Ezért kérjük, ne nyúljon hozzá. A túlzott hűtés szükségtelenül növeli az áramfogyasztást.
- Ha szükség van a hőmérséklet beállítására, fordítsa a hőmérsékletszabályozó gombot a MAX beállításra. Ha a készülék túlságosan lehűl, fordítsa a hőmérsékletszabályozó gombot a MIN beállításra.
- Ha a készüléket ideiglenesen ki szeretné kapcsolni, fordítsa a hőmérsékletszabályozó gombot OFF/O állásba, vagy húzza ki a csatlakozót a fali aljzataból.
- A friss élelmiszerek gyors lefagyasztásához javasoljuk, hogy a készüléket 24 órán keresztül hagyja a minimális hőmérséklet-beállításon működni, majd állítsa vissza a készüléket a közepes hőmérséklet-beállításra.

Megjegyzés: A magas hőmérsékletre való beállítás felgyorsíthatja az élelmiszerek romlását.



## 7. TISZTÍTÁS ÉS GONDOZÁS

Higiéniai okokból a készüléket (ide értve a külső és belső tartozékait is) rendszeresen tisztítani kell, legkevesebb kéthavonta egyszer.

Figyelmeztetés:



- A készüléket húzza ki az elektromos hálózathoz a tisztítás idejére. Áramütés veszély!
- A tisztítási műveletek elvégzése előtt kapcsolja ki a készüléket, és húzza ki a készüléket a csatlakozóaljzatból.

## A készülék külsejének tisztítása

Annak érdekében, hogy a készülék megfelelő maradjon, időközönként szükséges megtisztítani.

- Törölje le egy lágy és tiszta törlőkendővel a digitális kijelzőt.
- Szórjon vizet a törlőkendőre és ne közvetlenül a készülék felületére. Ez a módszer segít a felületeken egyenletesen elosztani a nedvességet.
- Tisztítsa meg az ajtókat, fogantyúkat és a külső burkolatot egy finom tisztítószerrel, majd törölje le egy puha törlőkendővel.

Figyelmeztetés:

- Ne használjon éles tárgyakat, mert ezek megkarcolhatják a felületeket. Ne használjon hígítót, autótisztítószerrel, klórt, illóolajakat, maró hatású vegyszereket vagy szerves oldószereket.
- Ezek megrongálhatják a készülék felületét és tüzet okozhatnak.

## A készülék belsejének tisztítása

- A készülék belsejét időközönként tisztítani kell. A készülék belső felét könnyebb olyankor takarítani, amikor nincs benne sok élelem. Az alaposabb tisztítás érdekében eltávolíthatja a polcokat vagy a kosarat.
- Törölje át a készülék belső felületeit szódabikarbónás oldattal. Öblítse le meleg vízzel, használjon egy kicsavart szivacsot vagy rongyot. A polcokat vagy a kosarat alaposan törölje át, mielőtt visszahelyezné őket.
- Jól töröljön le minden felületet és az eltávolítható tartozékokat is.

## Használat előtti tisztítás

Mielőtt először használná, törölje le a készülék belsejét és minden belső tartozékát langyos vízzel és semleges tisztítószerrel, hogy elűzhesse az új termékekre jellemző szagot, majd jól szárítsa ki a készüléket.

## Leolvasztás

A fagyasztóteret évente két-három alkalommal kell leolvasztani, amikor a jég vastagsága körülbelül 4 mm. A leolvasztáshoz kövesse az alábbi lépéseket:

- A leolvasztás előtt legalább 12 órával állítsa a termosztátot a maximális hőmérsékleti beállításra.
- Ezen időtartam letelte után áramtalanítsa a készüléket a konnektornak az áramellátásból való kihúzásával.
- Vegye ki az összes ételt a készülékből, és csomagolja be újságpapírba, majd tárolja hűvös helyen, és hagyja nyitva az ajtót.
- A leolvasztás befejeztével a rekeszt meg kell tisztítani és ki kell törölni.
- Kapcsolja be a készüléket úgy, hogy a termosztátot a maximális hőmérsékleti beállításra állítsa, és várjon legalább egy órát, mielőtt az élelmiszereket visszatenné a készülékbe.
- Néhány óra elteltével a termosztátot vissza lehet állítani az eredeti beállításra.

Figyelmeztetés:

- Leolvasztáshoz kizárólag a gyártó által ajánlott módszereket használja, ne használjon gépi vagy más eszközt a leolvasztás gyorsítására.
- A készülék élelmiszertároló reteszeiben kizárólag a gyártó által ajánlott típusú villamos készüléket használjon.

## Ellenőrzések

A biztonság érdekében tisztítás után végezze el a következő ellenőrzéseket:

- Győződjön meg róla, hogy a tápkábel csatlakozója megfelelően be van dugva a fali aljzatba. Győződjön meg róla, hogy az aljzat nem túl forró.

- Ellenőrizze, hogy a tápkábel nem repedt vagy sérült-e meg. Ha bármilyen sérülést észlel, forduljon a kereskedőhöz, akitől ezt a készüléket vásárolta, vagy ügyfélszolgálatunkhoz.

## Az ajtó tömítések tisztítása

Tartsa tisztán az ajtó tömítéseket.

A ragadós élelmiszerek és italok hozzáragaszthatják a garnitúrákat a vázhoz, így elszakadhatnak amikor az ajtót nyitja.

Mossa le az ajtó tömítéseket enyhe tisztítószerrel és meleg vízzel.

Tisztítás után öblítse le és jól törölje át az ajtó tömítéseit.

## 8. TIPPEK ÉS HASZNOS TANÁCSOK

### Tippek a villamosenergia-megtakarításhoz

Kövesse az alábbi tanácsokat az energiatakarékosság érdekében.

- Az energiatakarékos üzemmód megőrzése miatt kérjük, ne hagyja sok ideig nyitva a készülék ajtóit.
- Győződjön meg róla, hogy a készülék nem valamely hőforrás közelében lett felállítva. (Pl. direkt napsütés, elektromos sütő vagy gázkályha stb.)
- Ne állítsa a hűtőszekrény részlegeinek hőmérsékletét alacsonyabbra mint ahogyan az szükséges.
- Ne helyezzen be a készülékbe meleg ételt vagy párolgó folyadékot.
- A készüléket jól szellőző, nedvességtől mentes helyiségbe szerelje fel. Kérjük olvassa el a készülék beüzemeléséről szóló fejezetet.
- Ha a készülék leíró ábrája a fiókok, a gyümölcs- és zöldségkosár és a polcok helyes konfigurációját jelzi, kérjük, ne változtassa meg ezt a konfigurációt, mivel azt kifejezetten a villamosenergia-hatékonyság érdekében tervezték.

### Ajánlatok a friss élelmiszerek hűtött tárolásához

- Ne helyezzen a hűtő részbe vagy a mélyhűtő részbe forró ételeket, ugyanis a belső hőmérséklet miattuk nőni fog, így a kompresszor többet kell dolgozzon, tehát nőni fog a készülék elektromos energia fogyasztása is.
- Földje be vagy csomagolja be az ételeket, élelmiszereket, különösen abban az esetben, ha ezek erős szagot árasztanak.
- Helyezze el az élelmiszereket megfelelő módon, azaz úgy, hogy a levegő szabadon keringhessen körülöttük.
- Győződjön meg róla, hogy a fagyasztott élelmiszereket a kereskedők megfelelő módon tárolták.
- A kiolvasztás után az élelmiszerek gyorsan romlanak, és ezeket nem szabad újra fagyasztani.
- Ne haladja meg az élelmiszergyártó által megjelölt tárolási időszakot.

### Élelmiszerek tárolása

Annak érdekében, hogy az élelmiszerek ne romoljanak meg, tartsa be az alábbi utasításokat.

- Az élelmiszerek fagyasztása esetén bizonyosodjon meg arról, hogy az élelmiszerek nem érnek a készülék rekeszeinek belső felületeihez.
- Élelmiszer fagyasztásakor tárolja ezeket hermetikusan záródó edényekben vagy tasakokban, amelyek ízmentesek, vízzáró képességűek és nem tartalmaznak mérgező anyagokat, elkerülve a tárolt élelmiszerek kiszáradását és az ételszag kiáradását.
- A forró ételt kell hagyni hogy hűljön le szobahőmérsékletre, csak ezt követően tegyük a fagyasztóba. Ellenkező esetben befolyásolják a többi élelmiszer állapotát, illetve megnövekszik az elektromos energia fogyasztás is.
- Ha a készülék ajtója huzamos ideig nyitva van, akkor a készülék rekeszeiben a hőmérséklet jelentősen

megnö.

- Tisztítsa rendszeresen azokat a felületeket, amelyekkel az élelmiszerek érintkezhetnek, valamint a készülék lefolyó rendszerét is.
- A nyers húst valamint a friss halat tárolja megfelelő edényekben, hogy ne érintkezzen más élelmiszerekkel.
- A két csillaggal jelölt fagyasztó a gyorsfagyasztott élelmiszerek tárolására, fagylalt készítésére vagy tárolására és jégkocka készítésére alkalmas.
- Az egy, két és három csillagos fagyasztó a friss ételek fagyasztására nem alkalmas.

Sorszám	Rekesz típusa	Javasolt tárolási hőmérséklet [°C]	Megfelelő élelmiszer
1	Hűtés	+2~+6	Tojás, főtt ételek, csomagolt élelmiszer, gyümölcs és zöldség, tejtermék, a sütemények és italok fagyasztása nem megengedett.
2	(***)*-Fagyasztás	≤-18	A tenger gyümölcsei, hal, garnélarák, rákfélék, akvakultúra-termékek és a húsfélék fagyasztása javasolt (javasolt tárolási idő 3 hónap, a tárolási idő növekedésével fokozatosan veszítenek az ízükből és tápértékükből).
3	***-Fagyasztás	≤-18	A tenger gyümölcsei, hal, garnélarák, rákfélék, akvakultúra-termékek és a húsfélék fagyasztása nem javasolt (javasolt tárolási idő 3 hónap, a tárolási idő növekedésével fokozatosan veszítenek az ízükből és tápértékükből).
4	** -Fagyasztás	≤-12	A tenger gyümölcsei, hal, garnélarák, rákfélék, akvakultúra-termékek és a húsfélék fagyasztása nem javasolt (javasolt tárolási idő 2 hónap, a tárolási idő növekedésével fokozatosan veszítenek az ízükből és tápértékükből).
5	*-Fagyasztás	≤-6	A tenger gyümölcsei, hal, garnélarák, rákfélék, akvakultúra-termékek és a húsfélék fagyasztása nem javasolt (javasolt tárolási idő 1 hónap, a tárolási idő növekedésével fokozatosan veszítenek az ízükből és tápértékükből).

**Figyelmeztetés!** A készülék belső alkotóelemei beszenyezésének elkerülése érdekében az élelmiszereket a készülékbe helyezés előtt csomagolja zacskókba, a folyadékokat töltsé üvegekbe vagy fedett edényekbe.

Kérjük, tárolja az élelmiszereket a nekik megfelelő rekeszekben és a nekik megfelelő hőmérsékleten.

Ha a fagyasztó készülék hosszú ideig üres, kapcsolja ki, takarítsa ki, törölje ki jól és hagyja az ajtóját nyitva, hogy megelőzze a penész keletkezését a készülék belsejében.

## A készülék kikapcsolása

Ha a készüléket hosszabb időre szeretnénk leállítani, az alábbi lépéseket be kell tartani a penészképződés megelőzése érdekében.

1. Vegyen ki minden élelmiszert a készülékből.
2. Húzza ki a csatlakozót az elektromos hálózathoz.
3. Tisztítsa ki és szárítsa meg jól a készülék belsejét.
4. Győződjön meg róla, hogy az ajtók nyitva vannak, és nem akadályozzák a levegő keringését a készülék belsejében.

## A termék eltávolítása

Tilos ezt a készüléket a háztartási hulladékba dobni.

### Csomagolóanyagok

Azok az anyagok, amelyeken megtaláljuk az újrahasznosítás jelét, újrahasznosíthatóak. Ezeket a csomagolóanyagokat a megfelelő szelektív hulladékba dobja.

### A készülék végső leállítása előtt

1. Húzza ki a csatlakozót az elektromos hálózatról.
2. Vágja le az áramforráshoz vezető huzalt, azt külön dobja el.


Figyelmeztetés! A fagyasztók hűtőközeget és szigetelőgázt tartalmaznak. A hideghordozó közeget és a gázokat megfelelő módon kell eltávolítani, mert ezek szemsérüléseket okozhatnak vagy meggyúlhatnak. A készülék mozgatása előtt győződjön meg róla, hogy a hűtőkör csövezete nem sérült.

## 9. HIBAEHÁRÍTÁS

Abban az esetben, ha a készülékkel gondjai vannak, vagy úgy látja, hogy nem működik megfelelően, elvégezhet néhány egyszerű ellenőrzési művelet mielőtt szakszervizhez fordulna. Ennek érdekében kérjük olvassa el az alábbi táblázatot.

Figyelmeztetés! Ne próbálja házilag megjavítani a készüléket. Ha a probléma az alábbi ellenőrzések elvégzése után is fennáll, forduljon hivatalos szervizhez.

Probléma	Lehetséges ok és a megoldás
A készülék nem működik megfelelően.	Győződjön meg arról, hogy a csatlakozó megfelelően be van dugva a csatlakozóaljzatba, valamint hogy a hőmérsékletszabályozó gomb OFF, Off vagy 0 állásban van.
	Ellenőrizze az áramforrás biztosítékát vagy áramkörét és ha szükséges cseréljen biztosítékot.
	Lehet, hogy a szoba hőmérséklete túl alacsony. Próbálja növelni a szoba hőmérsékletét, hogy elhárítsa ezt a problémát.
A rekeszek kellemetlen szagokat bocsátanak ki	Elképzelhető, hogy szükséges alaposan kitisztítani a hűtőszekrény belsejét.
	Bizonyos élelmiszerek, csomagolóanyagok vagy tárolóedények szagosak lehetnek.
A készülék hangokat bocsát ki.	Az alábbi hangok normálisak: <ul style="list-style-type: none"> <li>• A kompresszor működése miatti hangok.</li> <li>• A ventilátor által kifújott levegő okozta hangok a mélyhűtő részben vagy más részeken.</li> <li>• A vízcsepegéshez hasonló csobogás.</li> <li>• A kompresszor indulása előtti csattanások.</li> </ul>
	Más furcsa hangok az alábbi okok miatt jelentkezhetnek és ez esetben lehetséges, hogy intézkedésre van szükség: <ul style="list-style-type: none"> <li>• A készülék nem kiegyensúlyozott.</li> <li>• A készülék hátsó része hozzáér a falhoz.</li> <li>• Egymásnak ütköző palackok vagy tartályok.</li> </ul>
Nem megfelelő fagyasztás.	<ul style="list-style-type: none"> <li>• Megfelelően szellőzik a helyszín?</li> <li>• A készülék közvetlen napfénynek van kitéve, fűtőtest vagy kályha közelében található?</li> <li>• Gyakran nyitják és zárják a fedeleket?</li> </ul>

	<ul style="list-style-type: none"> <li>• A termékeket a terhelhetőségi határvonalon túl tárolják?</li> <li>• Sok jég képződik a készülékben?</li> </ul>
A készülék külső felületein kondenzáció képződik.	A készülék külső felületein és az ajtón a forró és párás napokon, illetve a telepítés helyétől függően kondenzvíz képződhet. Ez a jelenség akkor jelentkezik, amikor a páratartalom magas, és a levegőben lévő vízcsepccék elérik a hideg felületeket. Ez normális jelenség. Törölje le a kondenzációt egy száraz ruhával.
A készülék körül meleg érződik	<ul style="list-style-type: none"> <li>• A készülék körül hőt érezhet, különösen nyáron vagy indításkor. A készüléket olyan csővel látták el, amely megakadályozza a páralecsapódást.</li> <li>• A hő nem befolyásolja a készülékben lévő termékeket.</li> </ul> 
Az áramellátás megszűnése	A hideg levegő kiáramlásának elkerülése érdekében csukja be hamar a készülék ajtaját, és a lehető legkevesebb ideig tartsa nyitva.
	Kerülje az új élelmiszerek készülékbe helyezését, ez ugyanis megnöveli a retesz belsejének a hőmérsékletét.
	Hosszú ideig tartó áramszünet esetén helyezzen szénsavas jeget a készülékbe.
A tápvezeték meghibásodása	A megrongálódott tápvezeték cserélje ki a gyártónál vagy a gyártó képviselőjénél rendelkezésre álló sajátos vezetékre.
	A készüléket úgy helyezze el, hogy a csatlakozóaljzat könnyen hozzáférhető legyen.
Hosszabb idejű nem használat esetén	Távolítsa el minden terméket a készülékből, és csatlakoztassa le az elektromos áramforrásról.
	Törölje ki a készülék belsejét és a benne maradt vizet.
	A penész és a kellemetlen szagok elkerülése érdekében hagyja nyitva a készülék ajtaját, hogy a készülék belseje teljesen kiszáradjon.
Szállítás	Húzza ki a dugót a tápegységéből.
	A készülék szállítása közben bizonyosodjon meg arról, hogy a készülék lábai nem károsítják meg a tápvezetékét.
	Ne hagyja, hogy a készülék lábai a lépcsőkhöz, a küszöbökhöz, stb. ütődjenek.
Ideiglenes tárolás	Az ajtó teljes becsukódásának elkerülése érdekében helyezzen egy darab fát vagy egy hasonló tárgyat az ajtó és a főegység közé.
	Bizonyosodjon meg arról, hogy a használaton kívül lévő fagyasztóládát nem tárolja olyan helyen, ahol a gyermekek játszanak.
	Ha egy gyermek bemegy a készülék reteszébe és az ajtó becsukódik, megtörténhet, hogy belülről nem tudja a készülék ajtaját kinyitni.
A lámpa nem világít (csak a lámpával ellátott modelleknél)	<ul style="list-style-type: none"> <li>• A LED világítótest meghibásodhatott. Olvassa el a LED világítótest cseréjére vonatkozó részt.</li> <li>• A készülék ajtója túl sokáig volt nyitva és a rendszer automatikusan lekapcsolta a belső világítást; csukja be és újra nyissa ki az ajtót a világítás elindítása érdekében.</li> </ul>
A készülékben hallani lehet a víz bugyborékolását.	Ez normális jelenség. A zajt a készülék csöveiben keringő hűtőközeg okozza.

## SZERVIZ ÉS ÜGYFÉLSZOLGÁLAT

Kizárólag eredeti cserealkatrészeket használjon.

Mielőtt felvenné a kapcsolatot az engedélyezett szakszervizünkkel, győződjön meg róla, hogy a következő adatok a rendelkezésére állnak: Modell megnevezése és sorozatszáma  
Ezeket az adatokat a készülék műszaki adattábláján találja. Ezek az adatok előzetes értesítés nélkül is megváltoztathatók.

### MŰSZAKI ADATOK

A termék műszaki adatai a készülék műszaki adattábláján és az energiacímkéjén vannak feltüntetve.

A hűtőszekrény energiacímkéjén található QR-kód egy internetes linket biztosít a készülék teljesítményével kapcsolatos információkhoz, melyek az EPREL adatbázisban találhatóak.

Utólagos tanulmányozás céljából, őrizze meg az energiacímkét a használati útmutatóval valamint a készülék egyéb dokumentumaival együtt.

Úgyszintén, ezeket az információkat az EPREL adatbázisban is megtalálja. Ennek érdekében használja a következő linket: <https://eprel.ec.europa.eu> és adja meg a termék megnevezését és sorozatszámát, amelyeket a készülék műszaki adattábláján talál.

A termékével kapcsolatos információk eléréséhez az EPREL portálon beolvashatja az alábbi kódokat:



Köszönjük, hogy termékünket választotta! Ha termékével kapcsolatosan további információkra van szüksége, keresse fel honlapunkat az alábbi linkeket használva:

**A használati útmutatókat innen töltheti le:** <https://www.heinner.ro>

**A javításokra vonatkozó adatokat itt találja:** <https://www.heinner.ro>



#### A hulladékok környezetfelelős eltávolítása

Segíthet a környezet védelmében!

Kérjük, tartsa be a helyi rendelkezéseket: a nem működő elektromos berendezéseket a használt elektromos hulladékokat gyűjtő központba szolgáltatassa be.



**A HEINNER** a **Network One Distribution SRL(KFT)** társaság által bejegyzett védjegy. A többi márkajelzés és a termékek megnevezése kereskedelmi vagy az illető birtoklók által bejegyzett márkanevek.

A műszaki leírások egyik része sem reprodukálható semmilyen formában és semmilyen módon, és nem használható fel fordításra, átváltoztatásra vagy alkalmazásra a NETWORK ONE DISTRIBUTION társaság előzetes beleegyezése nélkül.

Copyright © 2013 Network One Distribution. Minden jog fenntartva.

[www.heinner.com](http://www.heinner.com), <http://www.nod.ro>

<http://www.heinner.com>, <http://www.nod.ro>



A terméket az Európai Közösség előírásainak és jogszabályainak megfelelően tervezték és gyártották.



Importator: **Network One Distribution**

Str. Marcel Iancu, nr. 3-5, București, România

Tel: +40 21 211 18 56, [www.heinner.com](http://www.heinner.com), [www.nod.ro](http://www.nod.ro)