

HEINNER

FREEZER

Model:

HFF-V188E++/HFF-V188SE++/HFF-V188BKE++



- Freezer
- Total capacity: 188L
- Energy class: E

Thank you for purchasing this product!

I. INTRODUCTION

Before using the appliance, please read carefully this instruction manual and keep it for future reference.

This instruction manual is designed to provide you with all required instructions related to the installation, use and maintenance of the appliance.

In order to operate the unit correctly and safety, please read this instruction manual carefully before installation and usage.

II. CONTENT OF YOUR PACKAGE



- Freezer
- User manual
- Warranty card

III. SAFETY PRECAUTIONS

General warnings

Warning: Keep the ventilation openings of the freezer clear from obstruction.

Warning: Do not use mechanical devices or other means to accelerate the defrosting process.

Warning: Do not use other electrical appliances inside the freezer.

Warning: Do not damage the refrigerant circuit.

Warning: When positioning the appliance, ensure the supply cord is not trapped or damaged.

Warning: Do not locate multiple portable socket-outlets or portable power supplies at the rear of the appliance.

Warning: To avoid personal injury or damage this appliance must be installed in accordance with the manufacturer instructions.



Symbol ISO 7010 W021

Warning: Risk of fire/flammable materials

If your appliance uses R600a as a refrigerant (this information will be provided on the label of the cooler) you should take care during transportation and installation to prevent the cooler elements from being damaged. R600a is an environmentally friendly and natural gas, but it is explosive. In the event of a leak due to damage of the cooler elements, move your freezer away from open flames or heat sources and ventilate the room where the appliance is located for a few minutes.

- While carrying and positioning the freezer, do not damage the cooler gas circuit.
- Do not store explosive substances such as aerosol cans with a flammable propellant in this appliance.
- This appliance is intended to be used in household and domestic applications such as:
 - staff kitchen areas in shops, offices and other working environments;
 - farm houses and by clients in hotels, motels and other residential type environments;
 - bed and breakfast type environments;
 - catering and similar non-retail applications.
- If the socket does not match the freezer plug, it must be replaced by a service agent or similarly qualified persons in order to avoid a hazard.
- A specially grounded plug has been connected to the power cable of your freezer. This plug should be used with a specially grounded socket of 16 amperes. If there is no such socket in your house, please have one installed by an authorised electrician.
- This appliance can be used by children aged from 8 years and above and persons with reduced physical, sensory or mental capabilities or lack of experience and knowledge if they have been given supervision or instruction concerning use of the appliance in a safe way and understand the hazards involved. Children shall not play with the appliance. Cleaning and user maintenance shall not be made by children without supervision.
- If the supply cord is damaged, it must be replaced an authorised service agent or similar qualified persons, in order to avoid a hazard.
- This appliance is not intended for use at altitudes exceeding 2000 m.
- Children aged from 3 to 8 years are allowed to load and unload refrigerating appliances. Children are not expected to perform cleaning or user maintenance of the appliance. Very young children (0-3 years old) are not expected to use appliances safely unless continuous supervision is given Older children (8-14 years old) and vulnerable people can use appliances safely after they have been given appropriate supervision or instruction concerning use of the appliance.

Very vulnerable people are not expected to use appliances safely unless continuous supervision is given.

Old and out-of-order freezers

- If your old freezer has a lock, break or remove the lock before discarding it, because children may get trapped inside it and may cause an accident.
- Old fridges and freezers may contain isolation material and refrigerant with CFC or HFC. Therefore, take care not to harm environment when you are discarding your old fridges.
- Please ask your municipal authority about the disposal of the WEEE reuse, recycle and recovery purposes.

Notes:

- Please read the instruction manual carefully before installing and using your appliance. We are not responsible for the damage occurred due to misuse.
- Follow all instructions on your appliance and instruction manual, and keep this manual in a safe place to resolve the problems that may occur in the future.
- This appliance is produced to be used in homes and it can only be used in domestic environments and for the specified purposes. It is not suitable for commercial or common use. Such use will cause the guarantee of the appliance to be cancelled and our company will not be responsible for the losses to be occurred.
- This appliance is produced to be used in houses and it is only suitable for cooling / storing foods. It is not suitable for commercial or common use and/or for storing substances except for food. Our company is not responsible for the losses to be occurred in the contrary case.

Safety warnings

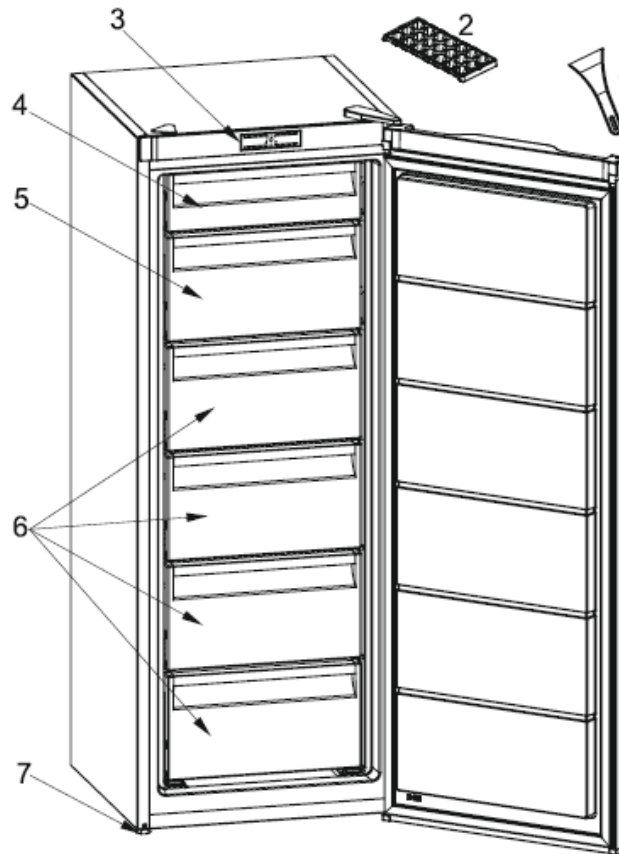
- Do not connect your freezer to the mains electricity supply using an extension lead.
- Do not plug in damaged, torn or old plugs.
- Do not pull, bend or damage the cord.
- This appliance is designed for use by adults, do not allow children to play with the appliance or let them hang off the door.
- Never touch the power cord/plug with wet hands as this could cause a short circuit or electric shock.
- Do not place glass bottles or beverage cans in the ice-making compartment as they can burst as the contents freeze.
- Do not place explosive or flammable material in your freezer. Place drinks with high alcohol content vertically in the freezer and make sure that their tops are tightly closed.
- When removing ice from the ice-making compartment, do not touch it. Ice may cause frost burns and/or cuts.
- Do not touch frozen goods with wet hands. Do not eat ice-cream or ice cubes immediately after you have taken them out of the ice-making compartment.
- Do not re-freeze frozen goods after they have melted. This may cause health issues such as.
- Do not cover the body or top of freezer with any textile material. This affects the performance of your freezer.
- Secure any accessories in the freezer during transportation to prevent damage to the accessories.
- Do not use plug adapter.

To avoid contamination of food, please respect the following instructions:

- Opening the door for long periods can cause a significant increase of the temperature in the compartments of the appliance.
- Clean regularly surfaces that can come in contact with food and accessible drainage systems
- Store raw meat and fish in suitable containers in the refrigerator, so that it is not in contact with or drip onto other food.
- Two-star frozen-food compartments are suitable for storing pre-frozen food, storing or making ice cream and making ice cubes.
- One-, two- and three-star compartments are not suitable for the freezing of fresh food.
- If the refrigerating appliance is left empty for long periods, switch off, defrost, clean, dry, and leave the door open to prevent mould developing within the appliance.

V. PRODUCT DESCRIPTION

This appliance is not intended to be used as a built-in appliance.

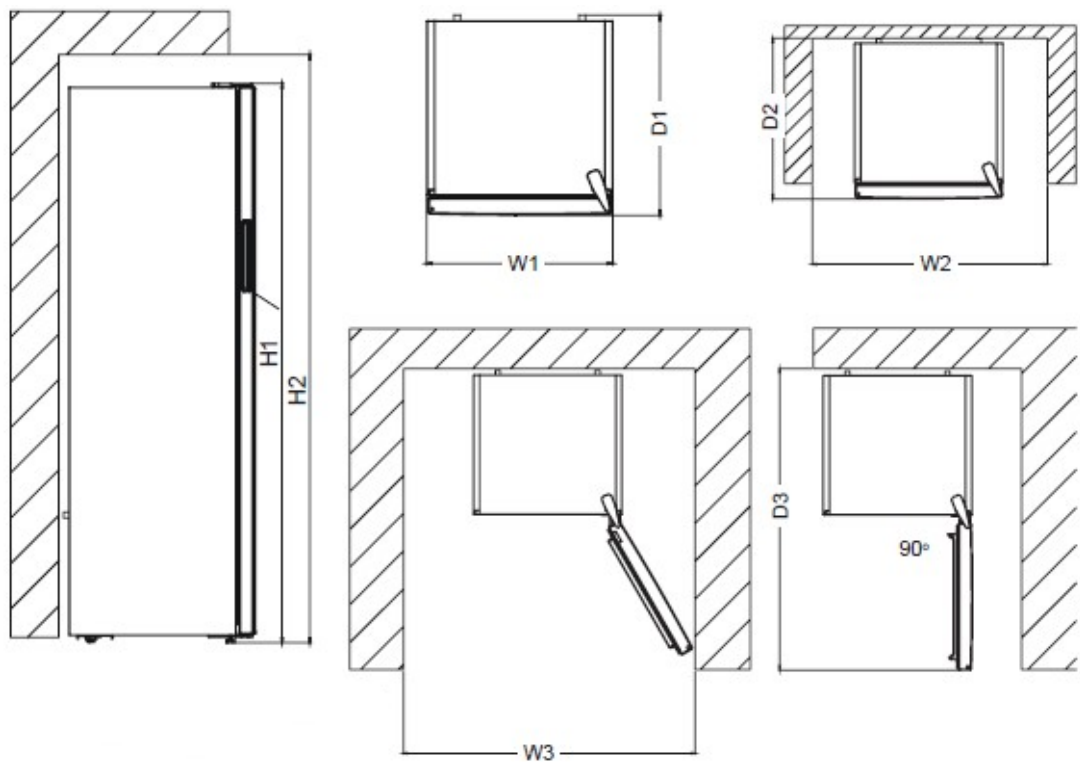


1. Plastic scraper
2. Ice tray
3. Thermostat
4. Freezer upper room cover
5. Freezer bottom room cover
6. Freezer compartment drawers
7. Levelling foot.

This presentation is only for information about the parts of the appliance. Parts may vary according to the appliance model.

Freezer Compartment (Freezer): Most Efficient use of energy is ensured in the configuration with the drawers and bins are on stock position.

Dimensions



Overall dimensions

H1	mm	1455
W1	mm	540
D1	mm	595

Space required in use

H2	mm	1605
W2	mm	640
D2	mm	692.8

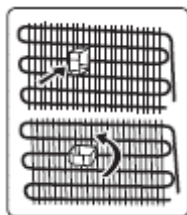
Overall space required in use

W3	mm	659.8
D3	mm	1142.3

VI. INSTALLATION

Before using your freezer for the first time, please pay attention to the following points:

- The operating voltage for your freezer is 220-240 V at 50Hz.
- The plug must be accessible after installation.
- Your freezer may have an odour when it is operated for the first time. This is normal and the odour will fade when your freezer starts to cool.
- Before connecting your freezer, ensure that the information on the data plate (voltage and connected load) matches that of the mains electricity supply. If in doubt, consult a qualified electrician.
- Insert the plug into a socket with an efficient ground connection. If the socket has no ground contact or the plug does not match, we recommend you consult a qualified electrician for assistance.
- The appliance must be connected with a properly installed fused socket. The power supply (AC) and voltage at the operating point must match with the details on the name plate of the appliance (the name plate is located on the inside left of the appliance).
- We do not accept responsibility for any damages that occur due to ungrounded usage.
- Place your freezer where it will not be exposed to direct sunlight.
- Your freezer must never be used outdoors or exposed to rain.
- Your appliance must be at least 50 cm away from stoves, gas ovens and heater cores, and at least 5 cm away from electrical ovens.
- If your freezer is placed next to a deep freezer, there must be at least 2 cm between them to prevent humidity forming on the outer surface.
- Do not cover the body or top of freezer with lace. This will affect the performance of your freezer.
- Clearance of at least 150 mm is required at the top of your appliance. Do not place anything on top of your appliance.
- Do not place heavy items on the appliance.
- Clean the appliance thoroughly before use (see Cleaning and Maintenance).
- Before using your freezer, wipe all parts with a solution of warm water and a teaspoon of sodium bicarbonate. Then, rinse with clean water and dry. Return all parts to the freezer after cleaning.
- Install the plastic distance guide(s) on the condenser (black vanes at the rear of the appliance) by turning it 90° (as shown in the figure) to prevent the condenser from touching the wall.



- The distance between the appliance and back wall must be a maximum of 75 mm.

Before using your freezer

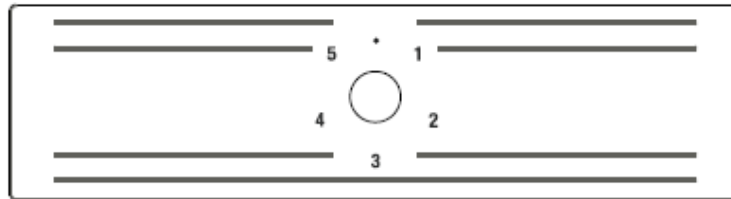
- When using your freezer for the first time, or after transportation, keep it in an upright position for at least 3 hours before plugging into the mains. This allows efficient operation and prevents damage to the compressor.
- Your freezer may have a smell when it is operated for the first time. This is normal and the smell will fade away when your freezer starts to cool.

VII. USING THE APPLIANCE

Thermostat setting

Freezer thermostat automatically regulates the inside temperature of the compartments. By rotating the knob from position "1" to "5", colder temperatures can be obtained.

Important note: Do not try to rotate knob beyond 1 position it will stop your appliance.



Freezer thermostat setting:

1-2: For short-term storage of food in the freezer compartment, you can set the knob between minimum and medium position.

3-4: For long-term storage of food in the freezer compartment, you can set knob medium position.

5: For freezing the fresh food. The appliance will run for colder temperatures.

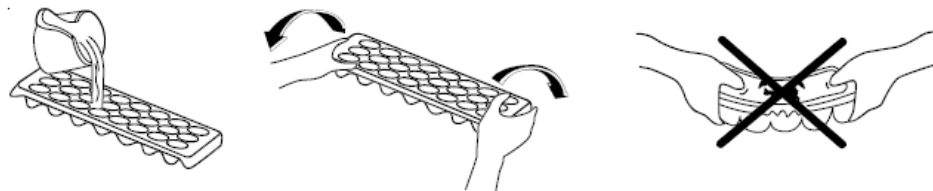
Note that:

- The ambient temperature, temperature of the freshly stored food and how often the door is opened, affects the temperature in the freezer compartment. If required, change the temperature setting.
- For best internal temperature the indicator in the freezer thermostat should be positioned between 2 and 4.

Accessories:

Ice tray

- Fill the ice tray with water and place in the freezer compartment.
- After the water has completely turned into ice, you can twist the tray as shown below to remove the ice cubes.



Plastic scraper

After a period of time frost will build up in certain areas in the freezer compartment. The frost accumulated in the freezer should be removed periodically. Use the plastic scraper provided if necessary. Do not use sharp metal objects for this operation. They could puncture the refrigerator circuit and cause irreparable damage to the unit.



Warnings for temperature settings

- Your appliance is designed to operate in the ambient temperature ranges stated in the standards, according to the climate class stated in the information label. It is not recommended that your fridge is operated in the environments which are outside of the stated temperature ranges. This will reduce the cooling efficiency of the appliance.
- Temperature adjustments should be made according to the frequency of door openings, the quantity of food kept inside the appliance and the ambient temperature in the location of your appliance.
- When the appliance is first switched on, allow it to run for 24 hours in order to reach operating temperature. During this time, do not open the door and do not keep a large quantity of food inside.
- A 5 minute delay function is applied to prevent damage to the compressor of your appliance when connecting or disconnecting to mains, or when an energy breakdown occurs. Your appliance will begin to operate normally after 5 minutes.

Climate class and meaning:

T (tropical): This refrigerating appliance is intended to be used at ambient temperatures ranging from 16 °C to 43 °C.

ST (subtropical): This refrigerating appliance is intended to be used at ambient temperatures ranging from 16 °C to 38 °C.

N (temperate): This refrigerating appliance is intended to be used at ambient temperatures ranging from 16 °C to 32 °C.

SN (extended temperate): This refrigerating appliance is intended to be used at ambient temperatures ranging from 10 °C to 32 °C.

VIII. STORING THE FOOD

For normal operating conditions, set the temperature of the freezer compartment to -18 or -20°C.

- The freezer is used for storing frozen food, freezing fresh food, and making ice cubes.
- Food in liquid form should be frozen in plastic cups and other food should be frozen in plastic folios or bags. For freezing fresh food; wrap and seal fresh food properly, that is the packaging should be air tight and shouldn't leak. Special freezer bags, aluminum foil polythene bags and plastic containers are ideal.
- Do not store fresh food next to frozen food as it can thaw the frozen food.
- Before freezing fresh food, divide it into portions that can be consumed in one sitting.
- Consume thawed frozen food within a short period of time after defrosting.
- Always follow the manufacturer's instructions on food packaging when storing frozen food. If no information is provided food, should not be stored for more than 3 months from the date of purchase.
- When purchasing frozen food, make sure that it has been stored under appropriate conditions and that the packaging is not damaged.
- Frozen food should be transported in appropriate containers and placed in the freezer as soon as possible.
- Do not purchase frozen food if the packaging shows signs of humidity and abnormal swelling. It is probable that it has been stored at an unsuitable temperature and that the contents have deteriorated.
- The storage life of frozen food depends on the room temperature, the thermostat setting, how often the door is opened, the type of food, and the length of time required to transport the product from the shop to your home. Always follow the instructions printed on the packaging and never exceed the maximum storage life indicated.
- If the freezer door has been left open for a long time or not closed properly, frost will form and can prevent efficient air circulation. To resolve this, unplug the freezer and wait for it to defrost. Clean the freezer once it has fully defrosted.
- The freezer volume stated on the label is the volume without baskets, covers, and so on.
- Do not refreeze thawed food. It may pose a danger to your health and cause problems such as food poisoning.

Note: If you attempt to open the freezer door immediately after closing it, you will find that it will not open easily. This is normal. Once equilibrium has been reached, the door will open easily.

- To use the maximum load capacity of your freezer, and to store large quantities of food, remove all drawers except the bottom one. Large items can be stored directly on the shelves.
- To use the maximum freezing capacity of your freezer move the frozen food in the upper basket to other baskets and activate "Super freeze" mode. "Super freeze" mode will be deactivated automatically after 24 hours. Place the food you want to freeze to the upper basket of the freezer without exceeding the freezing capacity of your freezer. Then reactivate the "Super freeze" mode. You can put your food next to other frozen food after it is completely frozen (minimum 24 hours after "Super freeze" mode is activated for the 2nd time).
- To freeze a small amount of food (up to 3 kg) in your freezer, place your food without touching already frozen food and activate "Super freeze" mode. You can put your food next to other frozen food after it is completely frozen (after minimum 24 hours).
- Attention. To save energy, when freezing small amounts of food, reset the temperature to the previous value as soon as the food is completely frozen.
- Use the fast freezing shelf to freeze home cooking (and any other food which needs to be frozen quickly) more quickly because of the freezing shelf's greater freezing power. Fast freezing shelf is the bottom drawer of the freezer compartment.s

Meat and fish	Preparation	Maximum Storing time (month)
Steak	Wrapping in a foil	6 - 8
Lamb meat	Wrapping in a foil	6 - 8
Veal roast	Wrapping in a foil	6 - 8
Veal cubes	In small pieces	6 - 8
Lamb cubes	In pieces	4 - 8
Minced meat	In packages without using spices	1 - 3
Giblets (pieces)	In pieces	1 - 3
Bologna sausage/salami	Should be packaged even if it has membrane	
Chicken and turkey	Wrapping in a foil	4 - 6
Goose and Duck	Wrapping in a foil	4 - 6
Deer, Rabbit, Wild Boar	In 2.5 kg portions and as fillets	6 - 8
Freshwater fishes (Salmon, Carp, Crane, Siluroidea)	After cleaning the bowels and scales of the fish, wash and dry it; and if necessary, cut the tail and head.	2
Lean fish; bass, turbot, flounder		4
Fatty fishes (Tunny, Mackarel, bluefish, anchovy)		2 - 4
Shellfish	Cleaned and in bags	4 - 6
Caviar	In its package, aluminium or plastic container	2 - 3
Snail	In salty water, aluminum or plastic container	3

Note: Frozen meat should be cooked as fresh meat after being thawed. If the meat is not cooked after being thawed, it should never be frozen again.

Vegetables and Fruits	Preparation	Maximum Storing time (months)
String beans and beans	Wash and cut to small pieces and boil in water	10 - 13
Beans	Hull and wash and boil in water	12
Cabbage	Cleaned and boil in water	6 - 8
Carrot	Clean and cut to slices and boil in water	12
Pepper	Cut the stem, cut into two pieces and remove the core and boil in water	8 - 10
Spinach	Washed and boil in water	6 - 9
Cauliflower	Take the leaves apart, cut the heart into pieces, and leave it in water with a little lemon juice for a while	10 - 12
Eggplant	Cut to pieces of 2cm after washing	10 - 12
Corn	Clean and pack with its stem or as sweet corn	12
Apple and pear	Peel and slice	8 - 10
Apricot and Peach	Cut into two pieces and remove the stone	4 - 6
Strawberry and Blackberry	Wash and hull	8 - 12
Cooked fruits	Adding 10 % of sugar in the container	12
Plum, cherry, sourberry	Wash and hull the stems	8 - 12

Dairy Products	Preparation	Maximum Storing time (months)	Storing Conditions
Packet (Homogenize) Milk	In its own packet	2 - 3	Pure Milk – In its own packet
Cheese-excluding white cheese	In slices	6 - 8	Original package may be used for short storing period. It should be wrapped in foil for longer periods.
Butter, margarine	In its package	6	

	Maximum Storing time (months)	Thawing time in room temperature (hours)	Thawing time in oven (minutes)
Bread	4 - 6	2 - 3	4-5 (220-225 °C)
Biscuits	3 - 6	1 - 1,5	5-8 (190-200 °C)
Pastry	1 - 3	2 - 3	5-10 (200-225 °C)
Pie	1 - 1,5	3 - 4	5-8 (190-200 °C)
Phyllo dough	2 - 3	1 - 1,5	5-8 (190-200 °C)
Pizza	2 - 3	2 - 4	15-20 (200 °C)

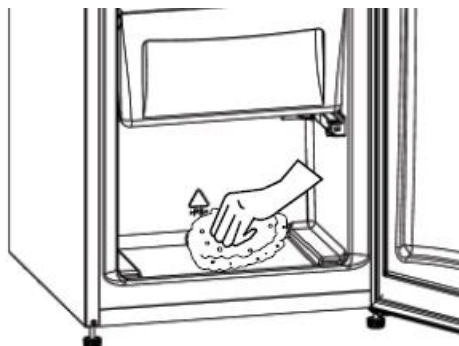
IX. CLEANING AND MAINTENANCE

- Disconnect the unit from the power supply before cleaning.
- Do not wash your appliance by pouring water on it.
- Do not use abrasive products, detergents or soaps for cleaning the appliance. After washing, rinse with clean water and dry carefully. When you have finished cleaning, reconnect the plug to the mains supply with dry hands.
- Make sure that no water enters the lamp housing and other electrical components.
- The appliance should be cleaned regularly using a solution of bicarbonate of soda and lukewarm water.
- Clean the accessories separately by hand with soap and water. Do not wash accessories in a dish washer.
- Clean the condenser with a brush at least twice a year. This will help you to save on energy costs and increase productivity.

! The power supply must be disconnected.

Defrosting

- Small amounts of frost will accumulate inside the freezer, depending upon the length of time for which the door is left open or the amount of moisture introduced. It is essential to ensure that no frost or ice is allowed to form in places where it will affect the close fitting of the door seal. This might allow air to penetrate the cabinet, encouraging continuous running of the compressor. Thin frost formation is quite soft and can be removed with a brush or plastic scraper. Do not use metal or sharp scrapers, mechanical devices or other means to accelerate the defrosting process. Remove all dislodged frost from the cabinet floor. It is not necessary to switch off the appliance for the removal of thin frost.
- For the removal of heavy ice deposits, disconnect the appliance from the mains supply and empty the contents into cardboard boxes and wrap in thick blankets or layers of paper to keep cold. Defrosting will be most effective if carried out when the freezer is nearly empty and should be carried out as quickly as possible to prevent undue increase in temperature of the contents.
- Do not use metal or sharp scrapers, mechanical devices or other means to accelerate the defrosting process. An increase in temperature of frozen food during defrosting will shorten the storage life. If the contents are well wrapped and placed in a cool area they should keep for several hours.
- Dry the inside of the compartment with a sponge or a clean cloth.
- To accelerate the defrosting process, place one or more bowls of warm water in the freezer compartment.
- Examine the contents when replacing them in the freezer and if some of the packages have thawed out they should be eaten within 24hours, or be cooked and re-frozen.
- After defrosting has finished, clean the inside of the appliance with a solution of warm water with a little bicarbonate of soda and then dry thoroughly. Wash all removable parts in the same way and reassemble. Reconnect the appliance to the mains supply and leave for 2 to 3 hours on setting number 3 before introducing the food back into the freezer.



Transportation and changing of installation position

- The original packages and foamed polystyrene (PS) can be retained if required.
- During transportation, the appliance should be secured with a wide string or a strong rope. The instructions written on the corrugated box must be followed while transporting.
- Before transporting or changing the installation position, all the moving objects (ie, drawer, Ice trays) should be taken out or fixed with bands in order to prevent them from getting damaged.

! Carry your freezer in the upright position.

Repositioning the door

- It is not possible to change the opening direction of your freezer door, if the door handle on your freezer is installed from the front surface of the door.
- It is possible to change the opening direction of the door on models without any handles.
- If the door opening direction of your freezer may be changed, you should contact an authorised service to have the opening direction changed.

X. TROUBLESHOOTING

If you are experiencing a problem with your appliance, please check the following before contacting the after-sales service.

Your appliance is not operating

Check if:

- There is power
- The plug is correctly placed in the socket
- The plug fuse or the mains fuse has blown
- The socket is defective. To check this, plug another working appliance into the same socket.

The appliance performs poorly

Check if:

- The appliance is overloaded
- The appliance door is closed properly
- There is any dust on the condenser
- There is enough space near the rear and side walls.

Your appliance is operating noisily

Normal noises

Cracking noise occurs:

- During automatic defrosting
- When the appliance is cooled or warmed (due to expansion of appliance material).

Short cracking noise occurs: When the thermostat switches the compressor on/off.

Motor noise: Indicates the compressor is operating normally. The compressor may cause more noise for a short time when it is first activated.

Bubbling noise and splash occurs: Due to the flow of the refrigerant in the tubes of the system.

Water flowing noise occurs: Due to water flowing to the evaporation container. This noise is normal during defrosting.

Air blowing noise occurs: In some models during normal operation of the system due to the circulation of air.

The edges of the appliance in contact with the door joint are warm

Especially during summer (warm seasons), the surfaces in contact with the door joint may become warmer during the operation of the compressor, this is normal.

There is a build-up of humidity inside the appliance

Check if:

- All food is packed properly. Containers must be dry before being placed in the appliance.
- The appliance door is opened frequently. Humidity of the room enters the appliance when the doors are opened. Humidity increases faster when the doors are opened more frequently, especially if the humidity of the room is high.

The door does not open or close properly

Check if:

- There is food or packaging preventing the door from closing.
- The door joints are broken or torn
- Your appliance is on a level surface.

Recommendations

- If the appliance is switched off or unplugged, wait at least 5 minutes before plugging the appliance in or restarting it in order to prevent damage to the compressor.
- If you will not use your appliance for a long time (e.g. in summer holidays) unplug it. Clean your appliance according to chapter cleaning and leave the door open to prevent humidity and smell.

- If a problem persists after you have followed all the above instructions, please consult the nearest authorised service centre.
- The appliance you have purchased is designed for domestic use only. It is not suitable for commercial or common use. If the consumer uses the appliance in a way that does not comply with this, we emphasise that the manufacturer and the dealer will not be responsible for any repair and failure within the guarantee period.

Tips for saving energy

1. Install the appliance in a cool, well ventilated room, but not in direct sunlight and not near a heat source (such as a radiator or oven) otherwise an insulating plate should be used.
2. Allow warm food and drinks to cool before placing them inside the appliance.
3. Place thawing food in the refrigerator compartment if available. The low temperature of the frozen food will help cool the refrigerator compartment while the food is thawing. This will save energy. Frozen food left to thaw outside of the appliance will result in a waste of energy.
4. Drinks or other liquids should be covered when inside the appliance. If left uncovered, the humidity inside the appliance will increase, therefore the appliance uses more energy. Keeping drinks and other liquids covered helps preserve their smell and taste.
5. Avoid keeping the doors open for long periods and opening the doors too frequently as warm air will enter the appliance and cause the compressor to switch on unnecessarily often.
6. Keep the covers of the different temperature compartments (such as the crisper and chiller if available) closed.
7. The door gasket must be clean and pliable. In case of wear, replace the gasket.

CUSTOMER CARE AND SERVICE

Always use original spare parts.

When contacting our Authorised Service Centre, ensure that you have the following data available:

Model and Serial Number.

The information can be found on the rating plate. Subject to change without notice.

TECHNICAL DATA

The technical information is situated in the rating plate on the internal side of the appliance and on the energy label.

The QR code on the energy label supplied with the appliance provides a web link to the information related to the performance of the appliance in the EU EPREL database.

Keep the energy label for reference together with the user manual and all other documents provided with this appliance.

It is also possible to find the same information in EPREL using the link <https://eprel.ec.europa.eu> and the model name and product number that you find on the rating plate of the appliance.

To access information about your product in the EPREL portal, you can scan the codes below:

HFF-V188E++



HFF-V188SE++



HFF-V188BKE++



Thank you for purchasing this product. If you need support with your product, visit our website using the links below.

Get User manuals: <https://www.heinner.ro>

Get Service information: <https://www.heinner.ro>



Environment friendly disposal

You can help protect the environment!

Please remember to respect the local regulations: hand in the non-working electrical equipment's to an appropriate waste disposal center.



HEINNER is a registered trademark of **Network One Distribution SRL**. Other brands and product names are trademarks or registered trademarks of their respective holders.

No part of the specifications may be reproduced in any form or by any means or used to make any derivative such as translation, transformation, or adaptation without permission from NETWORK ONE DISTRIBUTION.

Copyright © 2013 Network One Distribution. All rights reserved.

www.heinner.com, <http://www.nod.ro>
<http://www.heinner.com>, <http://www.nod.ro>



This product is in conformity with norms and standards of European Community

Importer: **Network One Distribution**
Marcel Iancu Street, 3-5, Bucharest, Romania
Tel: +40 21 211 18 56, www.heinner.com , www.nod.ro

HEINNER

CONGELATOR

Model:

HFF-V188E++/HFF-V188SE++/HFF-V188BKE++



- Congelator
- Capacitate totala: 188L
- Clasa energetica: E

Vă mulțumim pentru alegerea acestui produs!

I. INTRODUCERE

Înainte de a utiliza acest aparat, citiți cu atenție manualul de instrucțiuni și păstrați-l pentru consultări ulterioare.

Acest manual este conceput pentru a vă oferi toate instrucțiunile necesare referitoare la instalarea, utilizarea și întreținerea aparatului.

Pentru utilizarea corectă și în siguranță a aparatului, vă rugăm să citiți cu atenție acest manual de instrucțiuni, înainte de instalare și utilizare.

II. CONȚINUTUL PACHETULUI DUMNEAVOASTRĂ



- Congelator
- Manual de utilizare
- Certificat de garanție

III. MASURI DE SIGURANTA

Avertizări generale

AVERTIZARE: Mențineți fantele de ventilație ale aparatului libere de obstacole.

AVERTIZARE: Nu utilizați dispozitive mecanice sau alte mijloace pentru a accelera procesul de dezghețare, cu excepția celor recomandate de către producător.

AVERTIZARE: Nu utilizați aparate electrice în interiorul compartimentelor de depozitare a alimentelor, exceptând cazul în care acestea sunt de tipul celor recomandate de către producător.

AVERTIZARE: Nu deteriorați circuitul agentului frigorific.

AVERTIZARE: Pentru a evita riscurile ce survin în urma instabilității aparatului, acesta trebuie fixat conform instrucțiunilor următoare:

AVERTIZARE: Când poziționați aparatul, verificați cablul de alimentare să nu fie comprimat sau deteriorat.

AVERTIZARE: Nu plasați prize portabile multiple sau surse de alimentare portabile la partea din spate a aparatului.



Simbol ISO 7010 W021

AVERTIZARE: Risc de incendiu / materiale inflamabile

- Dacă aparatul dumneavoastră utilizează agentul frigorific R600a (această informație se află pe eticheta frigiderului) trebuie să aveți grijă în timpul transportului și al instalării pentru a împiedica deteriorarea elementilor de răcire ai aparatului. Aceasta chiar dacă R600a este un gaz natural, care nu afectează mediul înconjurător. În cazul unei scurgeri provocate de deteriorarea elementilor de răcire, mutați frigiderul la distanță de flăcări deschise sau de surse de căldură și aerisiți câteva minute încăperea în care se află aparatul.
- Nu deteriorați circuitul gazului de răcire în timpul transportului și poziționării frigiderului.
- Nu depozitați în aparat substanțe explozive precum doze de aerosoli cu gaz propulsor inflamabil.
- Acest aparat este destinat a fi utilizat în gospodărie și în aplicații similare, precum:
 - bucătării ale personalului din magazine, birouri sau alte medii de lucru.
 - ferme, precum și de către clienții hotelurilor, motelurilor și ai altor medii de tip rezidențial.
 - medii de tip pensiune cu mic dejun inclus;
 - catering și aplicații non-retail similare.
- Dacă ștecherul frigiderului nu se potrivește cu priza, el trebuie înlocuit de către agentul autorizat de service sau de persoane cu o calificare similară, pentru a evita pericolele.
- Cablul de alimentare al frigiderului este echipat cu un ștecher special cu împământare. Acest ștecher trebuie utilizat cu o priză specială cu împământare, de 16 amperi. Dacă nu aveți o astfel de priză în locuința dumneavoastră, apălați la un electrician autorizat pentru a o instala.
- Acest produs poate fi utilizat de către copii cu vârsta minimă de 8 ani și de persoanele cu capacități fizice, senzoriale sau mentale reduse sau lipsă de experiență și cunoștințe, dacă aceștia au fost supravegheați sau instruiți cu privire la utilizarea produsului într-un mod sigur și că înțeleg pericolele implicate. Copiii nu trebuie să se joace cu produsul. Operațiunile de curățare și întreținere nu trebuie să fie efectuate de către copii fără supraveghere
- Copiilor cu vârste cuprinse între 3 și 8 ani le este permis să introducă și să scoată alimente din aparatele frigorifice. Copiilor foarte mici (0-3 ani) nu le este permis să folosească aparatul cu excepția cazului în care se asigură supravegherea continuă a acestora.
- În cazul în care cablul de alimentare este deteriorat, acesta trebuie înlocuit de către agentul de service autorizat sau persoane cu o calificare similară, pentru a evita pericolele.
- Acest produs nu este destinat a fi utilizat la altitudini de peste 2000 de metri.

Congelatoarele vechi si defecte

- Dacă vechiul dumneavoastră congelator are un sistem de blocare, stricați-l sau demontați-l înainte de a-l arunca, deoarece copiii s-ar putea bloca în interiorul acestuia, ceea ce ar putea provoca un accident.
- Frigiderele și congelatoarele vechi conțin material de izolare și agent frigorific cu CFC. Așadar, depozitați congelatorul vechi la punctele de colectare pentru a proteja mediul înconjurător.

Solicitați informații de la autoritățile locale despre depozitarea la deșeurile a DEEE în scopul reutilizării, reciclării și recuperării.

Note:

- Înainte de instalarea și utilizarea aparatului, vă rugăm să citiți cu atenție manualul de instrucțiuni.
Nu suntem responsabili pentru deteriorarea cauzată de utilizarea necorespunzătoare.
- Respectați toate instrucțiunile de pe aparat și din manualul de instrucțiuni și păstrați acest manual la loc sigur, pentru a remedia problemele care ar putea interveni în viitor.
- Acest aparat este destinat uzului casnic și trebuie utilizat numai în scopurile specificate. Nu este destinat pentru uz comercial sau uz comun. O astfel de utilizare va duce la anularea garanției aparatului, iar compania noastră nu va fi responsabilă pentru pierderile care vor apărea.
- Acest aparat este produs pentru utilizarea casnică și este potrivit numai pentru răcirea/depozitarea alimentelor. Nu este potrivit utilizării comerciale sau în comun și/sau pentru depozitarea substanțelor nealimentare. Compania noastră nu este responsabilă pentru pierderile care vor apărea în caz contrar.

Avertizari privind siguranta

- Nu conectați congelatorul la rețeaua de electricitate cu ajutorul unui prelungitor.
- Nu conectați la prize defecte, fisurate sau vechi.
- Nu trageți, îndoiiți sau deteriorați cablul
- Acest aparat este proiectat pentru a fi utilizat de către adulți; nu permiteți copiilor să se joace cu acest aparat sau să se lase pe ușă
- Nu atingeți niciodată cablul de alimentare/fișa cu mâinile ude, deoarece aceasta ar putea provoca un scurtcircuit sau un șoc electric.
- Nu introduceți sticle sau doze în băuturi în compartimentul de producere a gheții, deoarece ar putea exploda în urma congelării conținutului.
- Nu amplasați materiale explozive sau inflamabile în congelator. Amplasați băuturile cu conținut ridicat de alcool în poziție verticală și asigurați-vă că recipientele sunt închise etanș.
- Atunci când scoateți gheața din compartimentul de producere a gheții, nu o atingeți. Gheața poate provoca degerături și/sau poate tăia.
- Nu atingeți produsele congelate cu mâinile ude! Nu mâncați înghețata și cuburile de gheață imediat după ce le-ați scos din compartimentul de produs gheață!
- Nu recongeleți alimentele după ce acestea s-au topit. Acest lucru ar putea cauza probleme de sănătate, cum ar fi toxinfecțiile alimentare.
- Nu acoperiți corpul sau partea de sus a frigiderului cu nici un material textil. Aceasta influențează performanța congelatorului dumneavoastră.
- Fixați accesoriile în congelator în timpul transportului, pentru a preveni deteriorarea acestora.

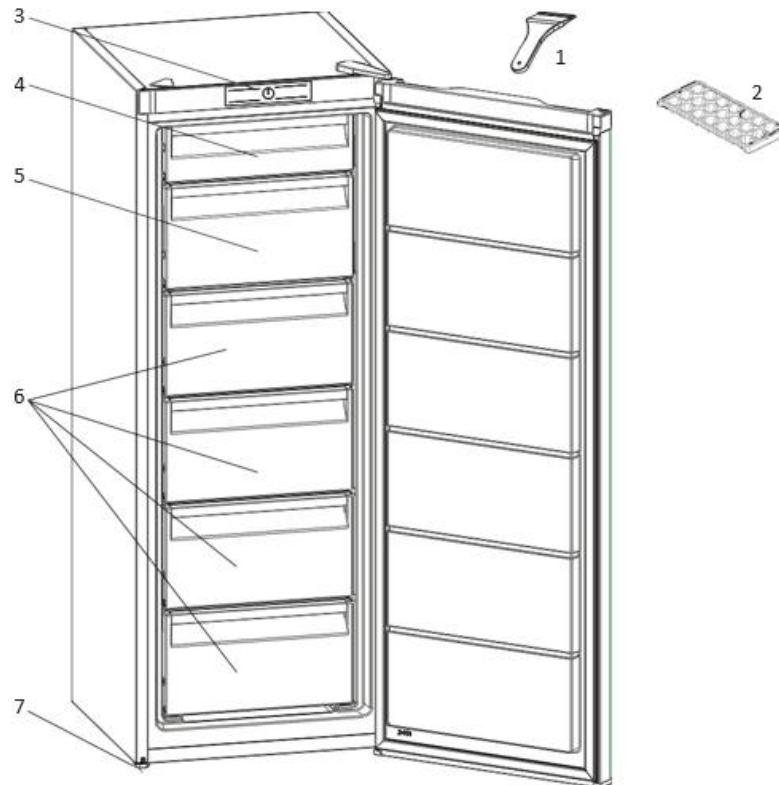
Pentru a evita contaminarea alimentelor, respectați instrucțiunile de mai jos:

- Dacă ușa aparatului este lăsată deschisă pe perioade lungi, temperatura din compartimentele aparatului crește semnificativ.
- Curățați periodic suprafețele care pot intra în contact cu alimentele, precum și sistemele de scurgere ale aparatului.
- Păstrați carnea crudă și peștele proaspăt în recipiente corespunzătoare, astfel încât produsele să nu intre în contact cu alte alimente.

- Compartimentele de congelare cu două stele sunt potrivite pentru păstrarea alimentelor precongelate, păstrarea sau prepararea înghețatei și producerea cuburilor de gheață.
- Compartimentele cu una, două și trei stele nu sunt potrivite pentru congelarea alimentelor proaspete.
- Dacă aparatul frigorific este lăsat gol pe perioade lungi, opriți-l, decongețați-l, curățați-l, ștergeți-l bine și lăsați-i ușa deschisă, pentru a preveni formarea mucegaiului în interiorul acestuia.

IV. DESCRIEREA PRODUSULUI

Acest aparat frigorific nu este destinat utilizării ca aparat încorporat.

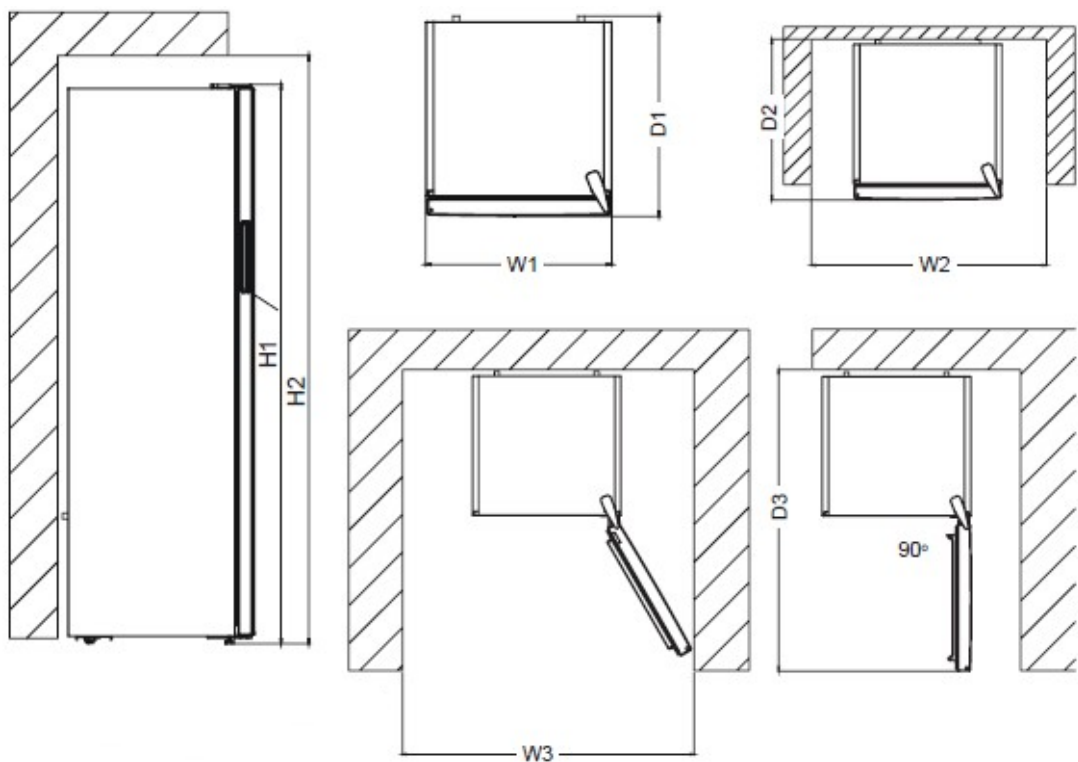


1. Racleta de plastic
2. Tava pentru gheata
3. Butonul rotativ al termostatului
4. Protecție cameră superioară congelator
5. Protecție cameră inferior congelator
6. Sertare compartiment congelator
7. Picioruș de reglare

Această prezentare are doar scopul de a vă informa despre componentele aparatului. Componentele pot varia, în funcție de modelul aparatului

Compartiment congelator: Utilizarea cea mai eficientă a energiei este asigurată în configurația cu sertarele amplasate ca în ilustrația de mai sus.

Dimensiuni



Dimensiuni totale

H1	mm	1455
W1	mm	540
D1	mm	595

Spațiu necesar în utilizare

H2	mm	1605
W2	mm	640
D2	mm	692.8

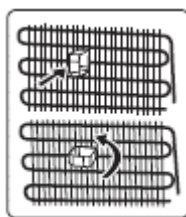
Spațiu total necesar pentru utilizare

W3	mm	659.8
D3	mm	1142.3

V. INSTALAREA ȘI FUNCȚIONAREA CONGELATORULUI

Înainte de a utiliza frigiderul pentru prima oară, acordați atenție următoarelor puncte:

- Tensiunea de funcționare a congelatorului este de 220-240 V la 50 Hz.
- Ștecherul trebuie să fie accesibil după instalare.
- Atunci când este pus în funcțiune pentru prima dată, frigiderul poate prezenta un miros. Acest lucru este normal, iar mirosul se va atenua odată cu răcirea frigiderului.
- Înainte de a conecta frigiderul, asigurați-vă că informațiile de pe plăcuța cu date tehnice (tensiunea sau sarcina la conectare) se potrivesc cu acelea ale rețelei de alimentare cu energie. Dacă aveți îndoieli, consultați un electrician calificat.
- Introduceți ștecherul într-o priză care dispune de o împământare eficientă. Dacă priza nu are împământare sau ștecherul nu se potrivește cu priza, vă recomandăm să cereți sprijinul unui electrician autorizat.
- Aparatul trebuie conectat la o priză corect instalată, cu protecție fuzibilă. Alimentarea electrică (CA) și tensiunea la punctul de funcționare trebuie să coincidă cu detaliile de pe plăcuța de identificare a aparatului (plăcuța de identificare se află în interiorul aparatului, în partea stângă).
- Nu ne asumăm răspunderea pentru daunele survenite din cauza utilizării fără împământare.
- Așezați frigiderul într-un loc ferit de lumina directă a soarelui.
- Frigiderul dumneavoastră nu trebuie utilizat niciodată în aer liber sau lăsat în ploaie.
- Aparatul dumneavoastră ar trebui să se afle la cel puțin 50 cm distanță de plite, cuptoare cu gaz și de radiatoare și ar trebui să se afle la cel puțin 5 cm distanță față de cuptoarele electrice.
- Când frigiderul dumneavoastră este așezat lângă un congelator, ar trebui să existe o distanță de cel puțin 2 cm între acestea, pentru a preveni umezirea suprafeței exterioare.
- Nu acoperiți corpul sau partea superioară a congelatorului cu dantelă. Acestea afectează performanța frigiderului dumneavoastră.
- Este necesar un spațiu liber de minimum 150 mm deasupra aparatului. Nu așezați nimic pe aparat.
- Nu așezați obiecte grele pe aparat.
- Curățați foarte bine aparatul, în special la interior, înainte de a-l utiliza (vezi Curățarea și întreținerea).
- Înainte de a utiliza frigiderul, ștergeți toate componentele cu apă caldă, în care ați dizolvat o linguriță de bicarbonat de sodiu. Apoi, clătiți cu apă curată și lăsați să se usuce. După curățare, montați toate componentele în frigider.
- Instalați distanțierul din plastic pe condensator (paletele negre din partea din spate a aparatului) rotindu-l (e) la 90° (după cum este ilustrat în figură) astfel încât condensatorul să nu atingă peretele.



- Distanța dintre aparat și peretele din spate trebuie să fie de maximum 75 mm.

Înainte de utilizarea congelatorului:

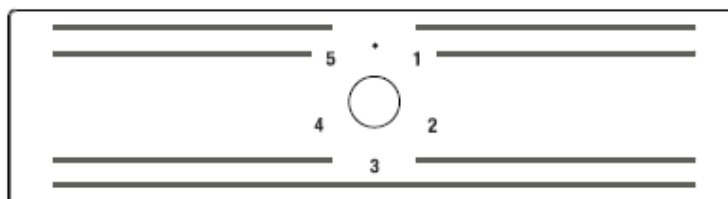
- La prima utilizare a congelatorului sau după transport, lăsați-l în poziție verticală timp de minimum 3 ore, înainte de a-l conecta la priză. Aceasta va permite funcționarea eficientă și va împiedica defectarea compresorului.
- Atunci când este pus în funcțiune pentru prima dată, congelatorul poate prezenta un miros. Acest lucru este normal, iar mirosul se va atenua odată cu răcirea congelatorului.

VI. UTILIZAREA CONGELATORULUI

Configurarea termostatului

Termostatul congelatorului reglează automat temperatura interioară a compartimentelor. Temperaturi mai scăzute se pot obține prin rotirea butonului de la poziția 1 la 5. În anotimpurile reci, puteți seta pozițiile termostatului la o valoare mai scăzută, pentru a scădea consumul de energie.

Notă importantă: Nu încercați să rotiți butonul în spatele poziției 1, aceasta va opri aparatul dumneavoastră.



Nivelul termostatului:

1-2: Pentru depozitarea pe termen scurt a alimentelor în compartimentul congelator, puteți seta butonul între poziția minimă și cea medie.

3-4: Pentru depozitarea pe termen lung a alimentelor în compartimentul congelator, puteți seta butonul la poziția medie.

5: Pentru congelarea alimentelor proaspete. Aparatul va funcționa mai mult timp. Odată ce alimentele sunt congelate complet, resetați termostatul la poziția inițială.

Accesorii

Producerea cuburilor de gheață (tava pentru gheață)

- Umpleți tava cu apă și așezați-o în compartimentul de congelare.
- După ce apa s-a transformat în întregime în gheață, puteți răsuca tava, așa cum se arată mai jos, pentru a scoate cuburile de gheață.



Racleta de plastic

După o perioadă de timp, gheața se va depune pe anumite zone ale compartimentul congelatorului. Gheața acumulată în congelator, trebuie să fie eliminată periodic. Dacă este necesar, utilizați racleta de plastic furnizată. Pentru această operație nu folosiți obiecte ascuțite din metal. Acestea ar putea perfora circuitul de refrigerare și provoca stricăciuni ireparabile ansamblului.



Avertizări setări de temperatură

- Aparatul dumneavoastră este proiectat pentru a funcționa în intervalele de temperatură ambientală menționate în standarde, potrivit clasei de climă menționate pe eticheta cu informații. În ceea ce privește eficiența de răcire a frigiderului, nu este recomandată utilizarea acestuia în medii care depășesc intervalele prezentate de temperatură. Aceasta va reduce eficiența aparatului în procesul de răcire.
- Temperatura trebuie reglată în funcție de frecvența de deschidere a ușii, de cantitatea de alimente din aparat și de temperatura ambientală din locul în care se află aparatul.
- Atunci când aparatul este pornit pentru prima oară, lăsați-l să funcționeze 24 de ore, pentru a atinge temperatura de funcționare. În acest timp, nu deschideți ușa prea des și nici nu așezați o cantitate mare de alimente în interiorul aparatului.
- Pentru a preveni deteriorarea compresorului aparatului dvs. la conectarea acestuia la rețea sau la deconectarea de la aceasta sau în cazul unei pene de curent, aparatul este prevăzut cu o funcție de decalare de 5 minute. Aparatul va începe să funcționeze normal după 5 minute.

Semnificație clase climatice:

temperată extinsă: acest aparat frigorific este destinat a fi utilizat la temperaturi ambiante cuprinse între 10 °C și 32 °C (SN);

temperată: acest aparat frigorific este destinat a fi utilizat la temperaturi ambiante cuprinse între 16 °C și 32 °C (N);

subtropicală: acest aparat frigorific este destinat a fi utilizat la temperaturi ambiante cuprinse între 16 °C și 38 °C (ST);

tropicală: acest aparat frigorific este destinat a fi utilizat la temperaturi ambiante cuprinse între 16 °C și 43 °C (T).

VII. DEPOZITAREA ALIMENTELOR

Pentru condiții normale de funcționare, reglați temperatura din compartimentul congelator la -18/-20°C.

- Congelatorul este folosit pentru depozitarea alimentelor congelate, congelarea alimentelor proaspete și producerea cuburilor de gheață.
- Alimentele sub formă lichidă trebuie congelate în vase de plastic, celelalte alimente trebuie congelate în folii sau pungi de plastic. Pentru a congela alimente proaspete împachetați și sigilați corect alimentele proaspete, astfel încât ambalajul să fie etanș și să nu existe scurgeri. Ideal este să utilizați pungile speciale pentru congelator, folia de aluminiu, pungi din polietilenă și recipiente din plastic.
- Nu depozitați alimente proaspete împreună cu alimente congelate deoarece acestea pot decongela alimentele congelate.
- Înainte de a congela alimente proaspete, împărțiți-le în porții care pot fi consumate la o singură masă.
- Consumați alimentele dezghețate după ce au fost congelate într-un interval scurt de timp după decongelare.
- Respectați întotdeauna instrucțiunile producătorului de pe ambalajul alimentelor atunci când depozitați alimente congelate. Dacă nu se oferă informații alimentele nu trebuie depozitate pe o perioadă mai lungă de 3 luni de la data achiziționării.
- Când cumpărați alimente congelate, asigurați-vă că au fost depozitate în condiții adecvate și că ambalajul nu este deteriorat.
- Alimentele congelate trebuie transportate în recipiente adecvate și amplasate în congelator cât mai curând posibil.
- Nu cumpărați alimente congelate dacă ambalajul arată semne de umiditate și umflare anormală. Este probabil să fi fost depozitate la o temperatură inadecvată iar conținutul să se fi deteriorat.
- Perioada de depozitare a alimentelor congelate depinde de temperatura camerei, setarea termostatului, frecvența de deschidere a ușii, tipul de alimente și perioada de timp necesară pentru transportul produsului de la magazin la locuința dumneavoastră. Respectați întotdeauna instrucțiunile de pe pachet și nu depășiți niciodată durata maximă de depozitare specificată.
- Dacă ușa congelatorului a fost lăsată deschisă pentru mult timp sau nu a fost închisă corect, se va forma gheață și aceasta poate împiedica circulația eficientă a aerului. Pentru a rezolva, scoateți congelatorul din priză și așteptați să se dezghețe. Curățați congelatorul după ce s-a dezghețat complet.
- Volumul specificat pe etichetă al congelatorului este volumul fără coșuri, capace și așa mai departe.
- Nu recongelați alimentele dezghețate. Acest lucru poate fi periculos pentru sănătate, cu riscul de toxinfecție alimentară.

Notă: Dacă încercați să deschideți ușa congelatorului imediat după ce ați închis-o, veți constata că nu se va deschide ușor. Acest lucru este normal. Odată restabilit echilibrul, ușa se va deschide ușor

- Pentru a utiliza capacitatea maximă de încărcare a congelatorului dvs. și a depozita cantități mari de alimente, scoateți toate sertarele, cu excepția celui din partea de jos. Articolele mari pot fi depozitate direct pe rafturi.
- Pentru a utiliza capacitatea maximă de congelare a congelatorului, mutați alimentele congelate din coșul superior în alte coșuri și activați modul „Super congelare”. Modul Super congelare va fi dezactivat în mod automat după 24 ore. Amplasați alimentele pe care doriți să le congelați în coșul superior al congelatorului fără a depăși capacitatea de congelare. Pentru a reactiva modul Super congelare. Vă puteți pune alimentele alături de alte alimente congelate după ce s-au congelat complet (la minimum 24 ore după ce modul Super congelare este activat pentru a 2-a oară).

- Pentru a congela o cantitate mică de alimente (până la 3 kg) în congelator, puneți alimentele fără a atinge alimente deja congelate și activați modul Super congelare. Vă puteți pune alimentele alături de alte alimente congelate după ce s-au congelat complet (după minim 24 ore).
- Atenție: Pentru a economisi energie, atunci când congelați o cantitate mică de alimente, resetați temperatura la valoarea anterioară de îndată ce alimentele sunt complet congelate.
- Utilizați raftul de congelare rapidă pentru a congela rapid alimentele preparate în casă (sau alte alimente care trebuie congelate rapid) datorită puterii de congelare mai mari a acestuia. Raftul de congelare rapidă este sertarul de jos al compartimentului congelator.

Carne și pește	Pregătire	Durată de depozitare maximă (lună)
Cotlet	În folie	6 - 8
Carne de miel	În folie	6 - 8
Friptură de vițel	În folie	6 - 8
Cubulețe de vițel	Bucățele mici	6 - 8
Cubulețe de miel	Bucăți	4 - 8
Carne tocată	În pachete, fără condimente	1 - 3
Măruntaie (bucăți)	Bucăți	1 - 3
Salam	Trebuie ambalat chiar dacă are membrană	
Pui și curcan	În folie	4 - 6
Gâscă și rață	În folie	4 - 6
Căprioară, iepure, mistreț	În porții de 2,5 kg și file	6 - 8
Pești de apă dulce (somon, crap, somn)	După curățarea măruntaiei și a sol- zilor peștelui, spălați-l și uscați-l; dacă este cazul, tăiați-i coada și capul.	2
Peste slab; biban, calcan, plătică		4
Peste gras (ton, macrou, lufăr, anșoa)		2 - 4
Scoici	Curățate și în pungi	4 - 6
Caviar	În ambalajul său, recipient din alumi- niu sau din plastic	2 - 3
Melci	În apă sărată, recipient din aluminiu sau din plastic	3

Notă: Carnea congelată trebuie gătită ca și carnea proaspătă după dezghețare. În cazul în care carnea nu este gătită după decongelare, nu trebuie recongelată.

Legume și fructe	Pregătire	Durată maximă de depozitare (luni)
Fasole verde și fasole boabe	Se spală, se taie bucățele și se fierbe în apă	10 - 13
Păstăi	Se desfac, se spală și se fierb în apă	12
Varză	Se curăță și se fierbe în apă	6 - 8
Morcov	Se curăță, se taie felii și se fierbe în apă	12
Ardei	Se taie codița, se taie în două, se scoate miezul și se fierbe în apă	8 - 10
Spanac	Se spală și se fierbe în apă	6 - 9
Conopidă	Se scot frunzele, se taie miezul bucăți și se lasă un timp în apă cu puțin suc de lămâie	10 - 12
Vinete	Se spală și se taie în bucăți de 2cm	10 - 12
Porumb	Spălați-l și ambalați-l cu cocean sau boabe	12
Mere și pere	Se decojesc și se feliază	8 - 10
Caise și piersici	Se taie în două și se scoate sâmburele	4 - 6
Căpșuni și mure	Se spală și se scot codițele	8 - 12
Fructe gătite	Se adaugă 10% zahăr în recipient	12
Prune, cireșe, vișine	Se spală și se scot codițele	8 - 12

Produse lactate	Pregătire	Durată maximă de depozitare (luni)	Condiții de depozitare
Lapte ambalat (omogenizat)	În ambalajul propriu	2 - 3	Lapte integral - în ambalajul propriu
Brânză-cu excepția brânzeturilor albe	Felii	6 - 8	Pentru perioade scurte de depozitare, se poate folosi ambalajul original. Pentru perioade mai lungi, se înfășoară în folie.
Unt, margarină	În ambalajul propriu	6	

	Durată maximă de depozitare (luni)	Durată de decongelare la temperatura camerei (ore)	Durată de decongelare în cuptor (min.)
Pâine	4 - 6	2 - 3	4-5 (220-225°C)
Biscuiți	3 - 6	1 - 1,5	5-8 (190-200°C)
Produse de patiserie	1 - 3	2 - 3	5-10 (200-225°C)
Plăcintă	1 - 1,5	3 - 4	5-8 (190-200°C)
Foietaje	2 - 3	1 - 1,5	5-8 (190-200°C)
Pizza	2 - 3	2 - 4	15-20 (200°C)

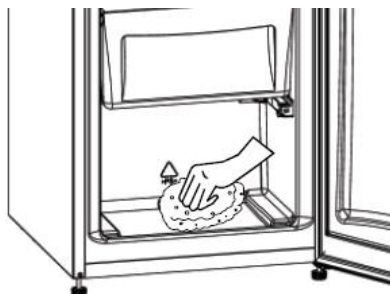
VIII. CURATARE SI INTRETINERE

- Deconectați unitatea de la sursa de alimentare, înainte de curățare.
- Nu spălați aparatul turnând apă pe el.
- Nu utilizați produse, detergenți sau săpunuri abrazive pentru a curăța aparatul. După spălare, clătiți cu apă și uscați cu grijă. După terminarea curățării, reconectați ștecherul la rețea cu mâinile uscate.
- Asigurați-vă că apa nu intră în compartimentul cu bec al frigiderului sau în alte elemente electrice.
- Aparatul trebuie curățat periodic utilizând o soluție de bicarbonat de sodiu și apă caldă.
- Curățați accesoriile separat, manual, cu apă și săpun. Nu spălați accesoriile într-o mașină de spălat vase.
- Curățați condensatorul cu o perie de cel puțin două ori pe an. Aceasta va ajuta la economisirea costurilor cu energia și la creșterea productivității.

! Alimentarea cu energie trebuie întreruptă pe durata curățării.

Dezghetarea

- Cantități mici de gheața se vor acumula în interiorul congelatorului depinzând de perioada de timp în care ușa este lăsată deschisă sau de cantitatea de umezeală introdusă. Este esențial să va asigurați că gheața nu este permisă să se formeze în locuri unde va afecta închiderea garniturii ușii. Acest lucru poate permite aerului să patrunda aparatul, încurajând funcționarea continuă a compresorului. Formațiunile de gheață subțire sunt foarte moi și pot fi eliminate utilizând o perie sau o racletă din plastic. Nu utilizați raclete mecanice sau tăioase, dispozitive mecanice sau alte mijloace pentru a accelera procesul de decongelare. Eliminați toată gheața depozitată de pe suprafața aparatului. Pentru eliminarea ghetii subțiri nu este necesar să opriți aparatul.
- Pentru eliminarea depozitelor grele de gheață, deconectați produsul de la priză și goliți conținutul în cutii de carton sau straturi de hârtie pentru a le menține reci. Decongelarea va fi mai eficientă dacă este efectuată în momentul când congelatorul este aproape gol, iar acest lucru trebuie să fie efectuat cât mai repede cu putință pentru prevenirea creșterii exagerate a temperaturii alimentelor.
- Nu utilizați raclete mecanice sau tăioase, dispozitive mecanice sau alte mijloace pentru a accelera procesul de decongelare. O creștere a temperaturii ale pachetelor congelate în timpul decongelării va scurta perioada de depozitare. Dacă conținutul este foarte bine învelit și plasat într-o zonă rece, acestea trebuie să se mențină timp de câteva ore.
- Uscați interiorul compartimentului cu un burete sau cu o lavetă curată.
- Pentru a accelera procesul de decongelare, așezați unul sau mai multe vase cu apă caldă în compartimentul congelator.
- Examinați conținutul în momentul când le înlocuiți din congelator iar dacă unele pachete sau dezghețat, acestea trebuie mâncate în timp de minim 24 de ore sau gătite și recongelate.
- După ce decongelarea s-a finalizat, curățați interiorul cu o soluție de apă caldă și puțin bicarbonat iar apoi uscați-l în întregime. Spălați toate componentele detașabile în același mod și reasamblați-le. Înainte de introducerea alimentelor înapoi în congelator, reconectați produsul la priză și lăsați timp de 24 ore la numărul setat 3.



Transportarea și schimbarea poziției de instalare

- Pachetele originale și polistirenul spumă (PS) pot fi păstrate, dacă este nevoie.
- În timpul transportării, aparatul ar trebui să fie legat cu o bandă lată sau cu o frânghie puternică. Regulile inscripționate pe cutia gofrată trebuie respectate în timpul transportului.
- Înainte de a transporta sau de a schimba poziția veche de instalare, toate obiectele mobile (de ex. racletă de plastic, tavă pentru gheață și protecție cameră congelator) ar trebui scoase sau fixate cu benzi, pentru a preveni deteriorarea acestora. Transportați frigiderul în poziție verticală.

Repoziționarea ușii

- Nu este posibil să schimbați direcția de deschidere a ușii congelatorului dumneavoastră dacă manerul ușii congelatorului este instalat din partea frontală a suprafeței ușii.
- Este posibil să schimbați direcția de deschidere a ușilor la modelele fara maner.
- Dacă direcția de deschidere a ușii congelatorului dumneavoastră poate fi schimbată, contactați personal autorizat pentru a vă schimba direcția de deschidere a ușii.

IX. DEPANARE

Dacă întâmpinați probleme cu aparatul, verificați următoarele, înainte de a contacta serviciul post-vânzare.

Aparatul dvs. nu funcționează

Verificați dacă:

- Există alimentare cu energie
- Ștecherul este conectat corect la priză
- Siguranța ștecherului sau siguranța prizei este arsă
- Priza este defectă. Pentru a verifica, conectați alt aparat funcțional în aceeași priză.

Aparatul funcționează deficitar

Verificați dacă:

- Aparatul este supraîncărcat
- Ușa aparatului este închisă corespunzător.
- Nu există praf pe condensator,
- Există destul loc în partea din spate și față de pereții laterali.

Aparatul dvs. funcționează zgomotos

Zgomote normale

Se produce un pârâit:

- În timpul dezghețării automate
- La răcirea sau încălzirea aparatului (datorită dilatației materialelor aparatului)

Se produce un pârâit scurt: Când termostatul pornește/oprește compresorul.

Zgomot produs de motor: Indică faptul că compresorul funcționează normal. La prima pornire, compresorul poate să genereze un zgomot mai puternic pentru un interval de timp scurt.

Se produce zgomot de bule și stropi: Din cauza curgerii agentului frigorific prin tuburile sistemului.

Se produce zgomot de apă curgând: Datorită apei care curge către recipientul vaporizatorului. Acest zgomot este normal în timpul dezghețării.

Se produce zgomot ca de aer care suflă: La unele modele, în timpul funcționării normale a sistemului datorită circulației aerului.

Marginile aparatului în contact cu articulația ușii sunt calde

În special în timpul verii (sezonul cald), suprafețele aflate în contact cu articulația ușii se pot încălzi în timpul funcționării compresorului, ceea ce este normal.

Se acumulează umiditate în aparat

Verificați dacă:

- Toate alimentele sunt ambalate corect. Recipientele sunt uscate înainte de a fi introduse în aparat.
- Ușa aparatului este deschisă frecvent. Umiditatea din încăperea pătrunde în aparat la deschiderea ușilor. Umiditatea se acumulează mai rapid când deschideți mai frecvent ușile, în special dacă umiditatea din încăperea este ridicată.

Ușa nu se deschide sau închide corespunzător

Verificați dacă:

- Există alimente sau ambalaje care împiedică închiderea ușii.
- Balamalele ușii sunt rupte sau îndoite
- Aparatul dvs. este pe o suprafață dreaptă.

Recomandări

- Dacă aparatul este oprit sau deconectat, așteptați cel puțin 5 minute înainte de a-l conecta sau reporni, pentru a preveni deteriorarea compresorului.
- Dacă nu veți folosi aparatul mai mult timp (de exemplu în concediul de vară), scoateți-l din priză. Curățați aparatul conform capitoului referitor la curățare și lăsați ușa deschisă pentru a preveni formarea umezelii și mirosurilor.

- Dacă problema persistă după ce ați urmat toate instrucțiunile de mai sus, vă rugăm să luați legătura cu cel mai apropiat Centru autorizat de service.
- Aparatul pe care l-ați cumpărat este destinat exclusiv utilizării de tip casnic. Nu este destinat pentru uz comercial sau uz comun. Dacă clientul utilizează aparatul fără a respecta aceste indicații, producătorul și distribuitorul nu își asumă răspunderea pentru reparațiile și defectele din perioada de garanție.

Sfaturi pentru economisirea energiei

1. Instalați aparatul într-o cameră răcoasă, bine ventilată, dar nu în lumina directă a soarelui și nici în apropierea unei surse de căldură (radiator, aragaz etc.), în caz contrar fiind necesară utilizarea unei plăci izolatoare.
2. Lăsați alimentele și băuturile calde să se răcească înainte de a le pune în aparat.
3. Amplasați alimentele care se decongelează în compartimentul frigider, dacă există. Temperatura joasă a alimentelor congelate va contribui la răcirea compartimentului frigiderului pe măsură ce acestea se decongelează. Aceasta va economisi energie. Alimentele congelate lăsate să se decongeleze în afara aparatului vor duce la pierderi de energie.
4. Băuturile sau alte lichide trebuie acoperite atunci când sunt în interiorul aparatului. Dacă sunt lăsate neacoperite, umiditatea din aparat va crește pentru că aparatul folosește mai multă energie. Acoperirea băuturilor și a altor lichide va contribui la păstrarea mirosului și a gustului.
5. Evitați să țineți ușile deschise pentru mult timp și să deschideți ușile prea des, deoarece aerul cald va intra în frigider și va determina compresorul să pornească prea des.
6. Păstrați închise capacele compartimentelor cu temperaturi diferite din aparat (cutie pentru fructe și legume, răcitor, dacă există).
7. Garnitura ușii trebuie să fie curată și maleabilă. În cazul uzurii, înlocuiți garnitura.

SERVICE ȘI ASISTENȚĂ PENTRU CLIEȚI

Utilizați numai piese de schimb originale.

Când contactați centrul nostru de service autorizat, asigurați-vă că aveți la îndemână următoarele informații: Denumirea modelului și numărul de serie.

Informațiile pot fi găsite pe plăcuța cu date tehnice. Acestea pot suferi modificări fără o notificare prealabilă.

DATE TEHNICE

Informațiile tehnice se află pe plăcuța cu date tehnice a aparatului și pe eticheta energetică.

Codul QR de pe eticheta energetică furnizată împreună cu aparatul oferă un link web către informațiile din baza de date EPREL cu privire la performanțele aparatului.

Păstrați eticheta energetică pentru consultări ulterioare, împreună cu manualul de utilizare și cu toate celelalte documente furnizate împreună cu acest aparat.

De asemenea, puteți găsi aceleași informații în baza de date EPREL, folosind link-ul <https://eprel.ec.europa.eu> și denumirea modelului o găsiți pe plăcuța cu date tehnice a aparatului.

Pentru a accesa informațiile despre produsul Dvs în portalul EPREL, puteți scana codurile de mai jos:

HFF-V188E++



HFF-V188SE++



HFF-V188BKE++



Vă mulțumim pentru achiziționarea acestui produs! Dacă aveți nevoie de asistență în ceea ce privește produsul dumneavoastră, vizitați site-ul nostru web utilizând linkurile de mai jos:

Manuale de utilizare: <https://www.heinner.ro>

Informații referitoare la service: <https://www.heinner.ro>



MASURI PENTRU PROTECTIA MEDIULUI

Va informam ca persoanele fizice au urmatoarele obligatii prin legislatia specifica privind protectia mediului si regimul deseurilor:

- Deseurile de echipamente electrice si electronice (DEEE), pot contine substante periculoase pentru mediu si sanatatea umana. Conform OUG 5/2015, exista obligativitatea predarii acestora, pentru tratarea corespunzatoare si valorificarea componentelor reciclabile. Societatea Network One Distribution S.R.L. este platitoare de taxa de " timbru verde" pentru fiecare Echipament Electric si Electronic (EEE) pe care il pune pe piata. Acest cost asigura tratarea ulterioara a echipamentelor uzate colectate. Din acest motiv, odata ce devine deseou, produsul EEE poate fi predat gratuit operatorului Dvs. de salubritate, la magazine atunci cand achizitionati alt echipament similar, sistemul "unul la unu "sau la punctul de colectare organizat de Primaria Sectorului / localitatii Dvs.
- Simbolul (marcajul) aplicat produselor, care indica faptul ca deseurile DEEE, bateriile si acumulatorii - fac obiectul unei colectari separate, il reprezinta o pubela barata cu o cruce.



Aceste masuri vor ajuta la protejarea mediului

Societatea Network One Distribution S.R.L. este inregistrata in Registrul de punere pe piata a echipamentelor electrice si electronice, avand numarul de inregistrare: RO-2016-03-EEE-0201-IV. De asemenea, au fost intocmite si sunt gestionate: Registrul de Retragere EEE si Registrul de Rechemare EEE, in conformitate cu HG 322/2013. Totodata societatea este inregistrata in Registrul de punere pe piata a bateriilor, avnd numarul de inregistrare: RO-2011-03-B&A-0283. Conformitatea cu directiva RoHS: Produsul pe care l-ați cumpărat este conform cu Directiva RoHS UE (2011/65/UE). Nu conține materialele dăunătoare și interzise specificate în Directivă.

Va multumim ca participati alaturi de noi la protejarea mediului si a sanatatii umane!



HEINNER este marcă înregistrată a companiei **Network One Distribution SRL**. Celelalte branduri și denumirile produselor sunt mărci de comerț sau mărci de comerț înregistrate ale respectivilor deținători.

Nicio parte a specificațiilor nu poate fi reprodusă sub nicio formă și prin niciun mijloc, nici utilizată pentru obținerea unor derivate precum traduceri, transformări sau adaptări, fără consimțământul prealabil al companiei NETWORK ONE DISTRIBUTION.

Copyright © 2013 Network One Distribution. Toate drepturile rezervate.

www.heinner.com, <http://www.nod.ro>
<http://www.heinner.com>, <http://www.nod.ro>



Acest produs este proiectat și realizat în conformitate cu standardele și normele Comunității Europene.

Importator: **Network One Distribution**

Str. Marcel Iancu, nr. 3-5, București, România

Tel: +40 21 211 18 56, www.heinner.com , www.nod.ro