

# HOT AIR FRYER

Model:  
SmartFry  
HAF-B6WH1700



- Capacity: 5.7L
- Power: 1700 W
- Temperature 80-200C

**HEINNER**

## 1. INTRODUCTION

Please read the instructions carefully and keep the manual for future information.

This manual is designed to give all necessary instructions concerning installation, use and maintenance of the unit. In order to operate the unit correctly and safely, please read this instruction manual carefully before installation and use.

## 2. CONTENT OF YOUR PACKAGE

- ➔ **Hot air fryer**
- ➔ **User manual**
- ➔ **Certificate of warranty**
- ➔ **Declaration of conformity**

## 3. SAFETY INSTRUCTIONS

### GENERAL

- This appliance can be used by children aged from 8 years and above and persons with reduced physical, sensory or mental capabilities or lack of experience and knowledge if they have been given supervision or instruction concerning use of the appliance in a safe way and understand the hazards involved. Children shall not play with the appliance. Cleaning and user maintenance shall not be made by children unless they are older than 8 and supervised.
- Keep the appliance and its cord out of reach of children less than 8 years.
- Never immerse the housing, which contains electrical components and the heating elements, in water nor rinse it under the tap.
- Do not let any water or other liquid enter the appliance to prevent electric shock.
- Always put the ingredients to be fried in the basket, to prevent it from coming into contact with the heating elements.
- Do not cover the air inlet and the air outer openings while the appliance is operating.
- Do not fill the pan with oil as this may cause a fire hazard.
- Never touch the inside of the appliance while it is operating.
- The temperature of accessible surfaces may be high when the appliance is operating.
- Check if the voltage indicated on the appliance corresponds to the local mains voltage before you connect the appliance.
- Do not use the appliance if the plug, the mains cord or the appliance itself is damaged.
- Children should be supervised to ensure that they do not play with the appliance.
- Keep the mains cord away from hot surfaces.
- Do not plug in the appliance or operate the control panel with wet hands.
- Only connect the appliance to an earthed wall socket, always make sure that the plug is inserted into the wall socket properly.
- Never connect this appliance to an external timer switch in order to avoid a hazardous situation.

- Do not place the appliance on or near combustible materials such as a tablecloth or curtain.
- Do not place the appliance against a wall or against other appliances, Leave at least 10cm free space on the back and sides and 10cm free space above the appliance. Do not place anything on top of the appliance.
- Do not use the appliance for any other purpose than described in this manual.
- Do not let the appliance operate unattended.
- During hot air frying, hot steam is released through the air outlet openings, Keep your hands and face at a safe distance from the steam and from the air outlet openings. Also be careful of hot steam and air when you remove the pan from the appliance.
- The accessible surfaces may become hot during use
- Immediately unplug the appliance if you see dark smoke coming out of the appliance. Wait for the smoke emission to stop before you remove the pan from the appliance.
- The baking tray becomes hot all over when it is used in the air fryer, always use oven gloves when handling the baking tray.

## Caution

- Place the appliance on a horizontal, even and stable surface.
- This appliance is intended for normal household use only. It is not intended for use in environments such as staff kitchens of shops, offices, farms or other work environments, Nor is it intended to be used by clients in hotels, motels, bed and breakfasts and other residential environments.
- If the appliance is used improperly or for professional or semi-professional purposes or if it is not used according to the instructions in the user manual, the guarantee becomes invalid and refuses any liability for damage caused.
- Always return the appliance to a service centre authorised for examination or repair. Do not attempt to repair the appliance yourself, otherwise the guarantee becomes invalid.
- Always unplug the appliance after use.
- Let the appliance cool down for approx.30 minutes before you handle or clean it.
- Make sure the ingredients prepared in this appliance come out golden-yellow instead of dark or brown. Remove burnt remnants. Do not fry fresh potatoes at a temperature above 200°C (to minimise the production of acrylamide).

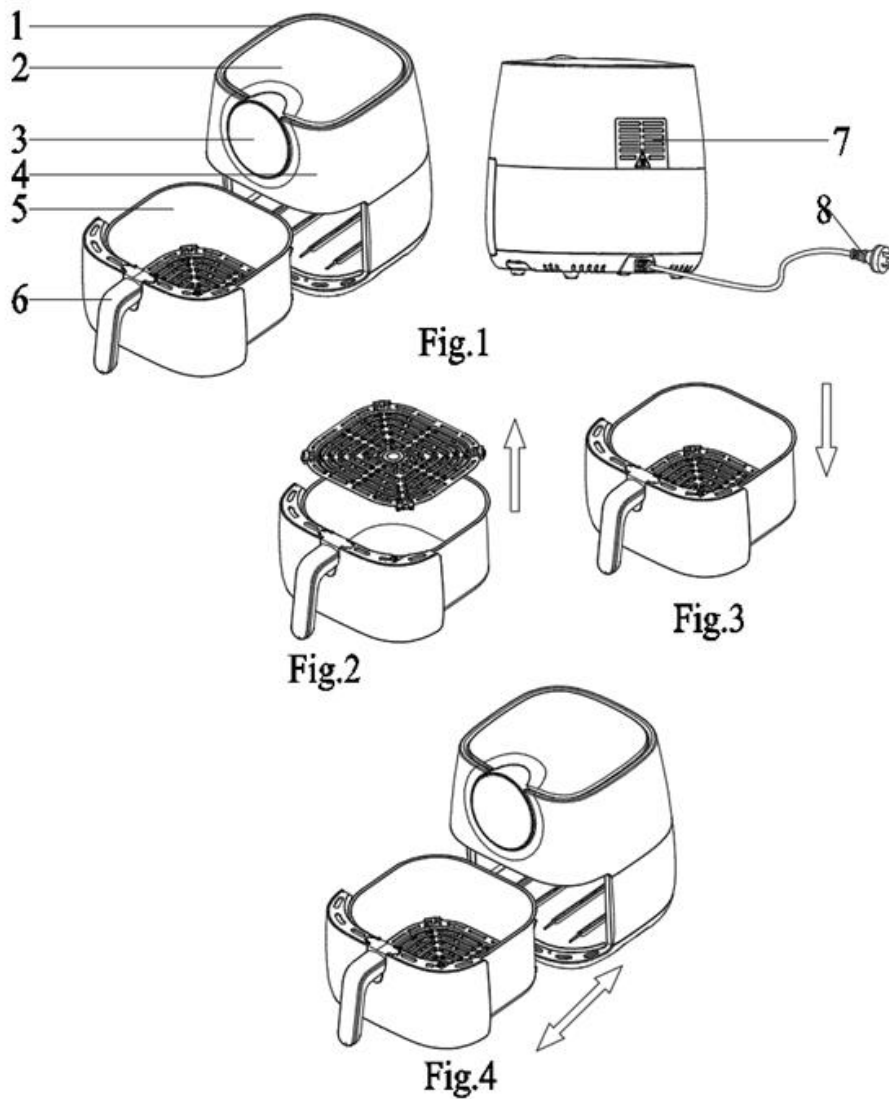
## Before first use

- Remove all packaging material.
- Remove any stickers or labels from the appliance.
- Thoroughly clean the basket and pan with hot water, some washing-up liquid and a non-abrasive sponge.

Note: You can also clean these parts in the dishwasher.

- Wipe the inside and outside of the appliance with a moist cloth.
- This is an air fryer that works on hot air. Do not fill the pan with oil or frying fat.

## 4. PRODUCT DESCRIPTION



1. Air inlet
2. Top cover
3. Control panel
4. Housing
5. Pot
6. Basket handle
7. Air outlet
8. Power cord

## 5. USING THE PRODUCT

1. Connect the mains plug into an earthed wall socket.
2. Carefully pull the pan out of the Hot-air fryer (Fig.4)
3. Put the ingredients in the basket. (Fig.3)
4. Slide the pan back into the Hot-air fryer (Fig 4)

Noting to carefully align with the guides in the body of the fryer.

Never use the pan without the basket in it.

Caution: Do not touch the pan during and some time after use, as it gets very hot. Only hold the pan by the handle.

5. Determine the required preparation time for the ingredient ( see section 'Settings' in this chapter).
6. Some ingredients require shaking halfway through the preparation time (see section "Settings" in this chapter). To shake the ingredients, pull the pan out of the appliance by the handle and shake it. Then slide the pan back into the fryer.
7. When you hear the buzzer alarm beep ~ ~ Di, the set preparation time has elapsed. Pull the pan out of the appliance and place it on the trial framework.
8. Check if the ingredients are ready.  
If the ingredients are not ready yet, simply slide the pan back into the appliance and set the timer to a few extra minutes.
9. To remove ingredients (e.g. fries), pull the pan out of the Hot-air fryer and place it on trial framework, and press the basket release button and lift the basket out of the pan.

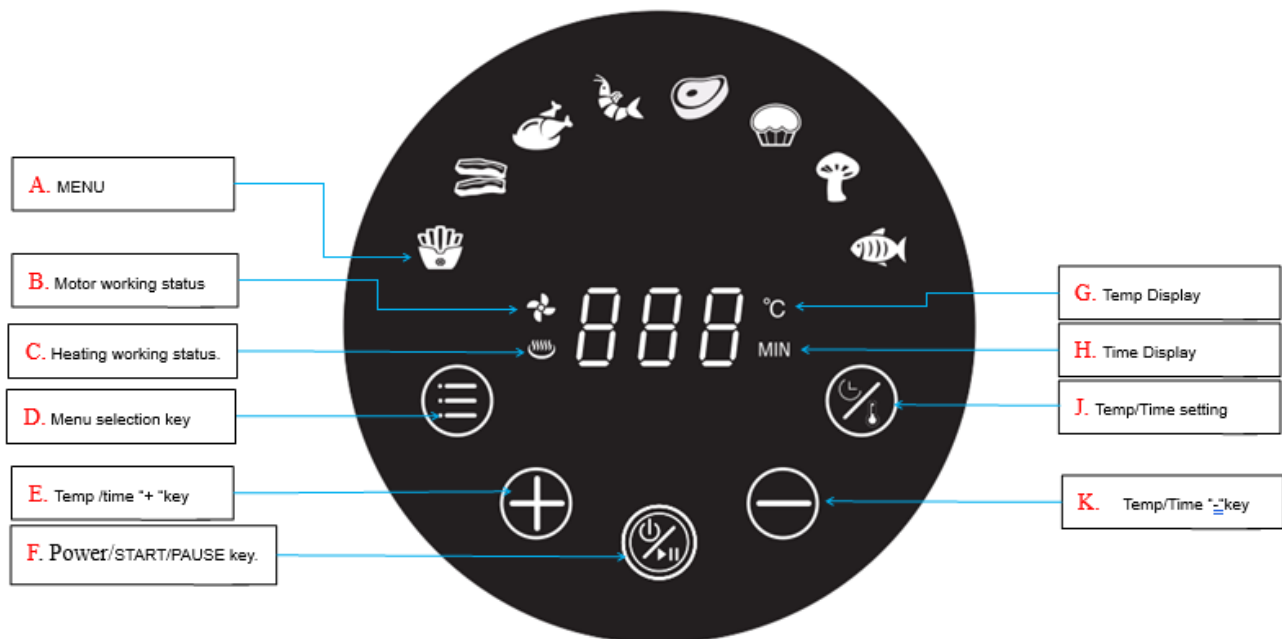
Do not turn the basket upside down with the pan still attached to it, as any excess oil that has collected on the bottom of the pan will leak onto the ingredients.

The pan and the ingredients are hot and hot fryer. Depending on the type of the ingredients in the fryer, steam may escape from the pan.

10. Empty the basket into a bowl or onto a plate.

Tip: To remove large or fragile ingredients, lift the ingredients out of the basket by a pair of tongs.

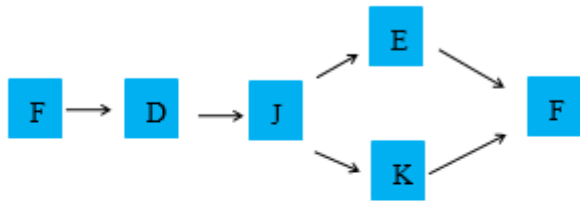
11. When a batch of ingredients is ready, the Hot-air fryer is instantly ready for preparing another batch.



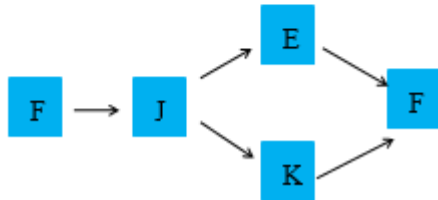
1 – Fries 	2- Steak 	3- Bacon 	4- Chicken 
5- Fish 	6- Shrimps 	7- Baking 	8- Mushrooms 

## OPERATION INSTRUCTIONS

### 1、 Menu mode



### 2、 DIY mode



This table below will help you to select the basic settings for the ingredients.

Because the Rapid Air technology instantly reheats the air inside the appliance instantly Pull the pan briefly out of the appliance during hot air frying barely disturbs the process.

## Tips

- Smaller ingredients usually require a slightly shorter preparation time than larger ingredients.
- A larger amount of ingredients only requires a slightly longer preparation time, a smaller amount of ingredients only requires a slightly shorter preparation time.
- Shaking smaller ingredients halfway through the preparation time optimizes the end result and can help prevent unevenly fried ingredients.
- Add some oil to fresh potatoes for a crispy result. Fry your ingredients in the Hot-air fryer within a few minutes after you add the oil.
- Do not prepare extremely greasy ingredients such as sausages in the Hot-air fryer.
- Snacks that can be prepared in an oven can also be prepared in the Hot-air fryer
- The optimal amount for preparing crispy fries is 500 grams.
- Use pre-made dough to prepare filled snacks quickly and easily. Pre-made dough also requires a shorter preparation time than home-made dough.
- Place a baking tin or oven dish in the Hot-air fryer basket if you want to bake a cake or quiche or if you want to fry fragile ingredients or filled ingredients.
- You can also use the Hot-air fryer to reheat ingredients. To reheat ingredients, set the temperature to 150 °C for up to 10 minutes.

	Min-max Amount(g)	Time (min.)	Temperature (°C)	Shake	Extra information
<b>Potato &amp; fries</b>					
Thin frozen fries	500-600	18-25	200	shake	
Thick frozen fries	500-600	20-25	200	shake	
Potato gratin	600	20-25	200	shake	
<b>Meat &amp; Poultry</b>					
Steak	100-600	12-18	180	No	
Pork chops	100-600	12-18	180	No	
Hamburger	100-600	10-20	180	No	
Sausage roll	100-600	13-15	200	No	
Drumsticks	100-600	25-30	180	No	
Chicken breast	100-600	18-25	180	No	
<b>Snacks</b>					
Spring rolls	100-600	8-10	200		
Frozen chicken nuggets	100-600	8-12	180		
Frozen fish fingers	100-500	6-10	200		
Frozen bread crumbed. cheese snacks	100-500	8-10	180		
Stuffed vegetables	100-500	12-20	160		
<b>Baking</b>					
Cake	500	8-15	180		
Quiche	500	20-22	180		
Muffins	500	15-18	200		
Sweet snacks	500	20	160		

## 6. CLEANING

Clean the appliance after every use.

The basket and grill have non-stick coating. Do not use metal kitchen utensils or abrasive cleaning materials to clean them, as this may damage the non-stick coating.

1. Remove the mains plug from the wall socket and let the appliance cool down.

Note: Remove the basket to let the air fryer cool down more quickly.

2. Wipe the outside of the appliance with a moist cloth.

3. Clean the basket and grill with hot water, some washing-up liquid and a non-abrasive sponge.

You can use a degreasing liquid to remove any remaining dirt.

Note: The basket and grill are dishwasher-proof.

Tip: If dirt is stuck to the basket and grill, fill the basket with hot water with some washing-up liquid. Put the grill in the basket and let the basket and the grill soak for approximately 10 minutes.

1. Clean the inside of the appliance with hot water and a non-abrasive sponge.

2. Clean the heating element with a cleaning brush to remove any food residues.

### Storage

1. Unplug the appliance and let it cool down.

2. Make sure all parts are clean and dry.
3. Push the cord into the cord storage compartment. Fix the cord by inserting it into the cord fixing slot.

### Ordering accessories

If you have any difficulties obtaining accessories for your appliance, please contact the Consumer Care Centre in your country. You find its contact details in the worldwide guaranteed leaflet.

### Environment

Do not throw away the appliance with the normal household waste at the end of its life, but hand it in at an official collection point for recycling, By doing this, you help to preserve the environment.

## 7. TROUBLESHOOTING

Problem	Possible cause	Solution
The Hot-air fryer does not work	The appliance is not plugged in.	Put the mains plug in an earthed wall socket.
	You have not set the timer.	Turn the timer knob to the required preparation time to switch on the appliance.
The ingredients fried with the air fryer are not done.	The amount of ingredients in the basket is too big.	Put smaller batches of ingredients in the basket. Smaller batches are fried more evenly.
	The set temperature is too low.	Turn the temperature control knob to the required temperature setting (see section 'settings' in chapter 'Using the appliance').
	The preparation time is too short.	Turn the timer knob to the required preparation time (see section 'Settings' in chapter 'Using the appliance').
The ingredients are fried unevenly in the air fryer.	Certain types of ingredients need to be shaken halfway through the preparation time.	Ingredients that lie on top of or across each other (e.g. fries) need to be shaken halfway through the preparation time. See section 'Settings' in chapter 'Using the appliance'.
Fried snacks are not crispy when they come out of the air fryer.	You used a type of snacks meant to be prepared in a traditional deep fryer.	Use oven snacks or lightly brush some oil onto the snacks for a crispier result.
I cannot slide the pan into the appliance properly.	There are too much ingredients in the basket.	Do not fill the basket beyond the MAX indication.
	The basket is not placed in the pan correctly.	Push the basket down into the pan until you hear a click.
White smoke comes out of the appliance.	You are preparing greasy ingredients.	When you fry greasy ingredients in the air fryer, a large amount of oil will leak into the pan. The oil produces white smoke and the pan may heat up more than usual. This does not affect the appliance or the end result.
	The pan still contains grease residues from previous use.	White smoke is caused by grease heating up in the pan. Make sure you clean the pan properly after each use.



Fresh fries are fried unevenly in the air fryer.	You did not use the right potato type.	Use fresh potatoes and make sure they stay firm during frying.
	You did not rinse the potato sticks properly before you fried them.	Rinse the potato sticks properly to remove starch from the outside of the sticks.
Fresh fries are not crispy when they come out of the air fryer.	The crispiness of the fries depends on the amount of oil and water in the fries.	Make sure you dry the potato sticks properly before you add the oil.
		Cut the potato sticks smaller for a crispier result.
		Add slightly more oil for a crispier result.

## CUSTOMER CARE AND SERVICE

Always use original spare parts.

When contacting our Authorised Service Centre, ensure that you have the following data available: Model and Serial Number.

The information can be found on the rating plate. Subject to change without notice.

## TECHNICAL DATA

Voltage	220-240V~50/60Hz
Power	1700 W
Capacity	5.7L
Temperature	80-200C

Thank you for purchasing this product. If you need support with your product, visit our website using the links below.

**Get User manuals:** <https://www.heinner.ro>

**Get Service information:** <https://www.heinner.ro>



#### **Environment friendly disposal**

You can help protect the environment!

Please remember to respect the local regulations: hand in the non-working electrical equipment's to an appropriate waste disposal center.



**HEINNER** is a registered trademark of **Network One Distribution SRL**. Other brands and product names are trademarks or registered trademarks of their respective holders.

No part of the specifications may be reproduced in any form or by any means or used to make any derivative such as translation, transformation, or adaptation without permission from NETWORK ONE DISTRIBUTION.

Copyright © 2013 Network One Distribution. All rights reserved.

[www.heinner.com](http://www.heinner.com), <http://www.nod.ro>



This product is in conformity with norms and standards of European Community.



Importer: **Network One Distribution**

Marcel Iancu Street, 3-5, Bucharest, Romania

Tel: +40 21 211 18 56, [www.heinner.com](http://www.heinner.com) , [www.nod.ro](http://www.nod.ro)

# FRITEUZĂ CU AER CALD

Model:  
SmartFry  
HAF-B6WH1700



- Capacitate: 5.7 L
- Putere: 1700 W
- Temperatură 80-200°C

**HEINER**

## 1. INTRODUCERE

Vă rugăm să citiți instrucțiunile cu atenție și să păstrați manualul pentru consultări ulterioare.

Acest manual are scopul de a vă oferi toate instrucțiunile necesare cu privire la instalarea, utilizarea și întreținerea aparatului. Pentru utilizarea corectă și în siguranță a aparatului, vă rugăm să citiți cu atenție acest manual de instrucțiuni înainte de instalare și utilizare.

## 2. CONȚINUTUL PACHETULUI DUMNEAVOASTRĂ

- ➔ **Friteuză cu aer cald**
- ➔ **Manual de utilizare**
- ➔ **Certificat de garanție**
- ➔ **Declarație de conformitate**

## 3. INSTRUCȚIUNI PRIVIND SIGURANȚA

### GENERALITĂȚI

- Aparatul poate fi utilizat de către copii cu vârste începând de la 8 ani și de către persoane cu capacități fizice, senzoriale sau mentale reduse, cu lipsă de experiență sau cunoștințe, numai dacă acestea sunt supravegheate sau instruite în ceea ce privește utilizarea în siguranță a aparatului și dacă înțeleg pericolele pe care le implică utilizarea. Copiii nu au voie să se joace cu aparatul. Curățarea și întreținerea nu pot fi efectuate de către copii, cu excepția cazului în care aceștia sunt în vârstă de cel puțin 8 ani și sunt supravegheați.
- Nu lăsați aparatul și cablul de alimentare la îndemâna copiilor cu vârste mai mici de 8 ani.
- Nu introduceți în apă și nu clătiți sub jet de apă carcasa aparatului și elementele de încălzire, deoarece acestea conțin componente electrice.
- Pentru prevenirea electrocutării, nu permiteți pătrunderea apei sau a altor lichide în aparat.
- Puneți întotdeauna în coș ingredientele pe care doriți să le preparați, pentru ca acestea să nu intre în contact cu elementele de încălzire.
- Nu acoperiți orificiile de admisie și de evacuare a aerului în timpul funcționării aparatului.
- Nu umpleți vasul de preparare cu ulei, deoarece acest lucru poate provoca pericol de incendiu.
- Nu atingeți interiorul aparatului în timpul funcționării.
- Temperaturile suprafețelor accesibile pot fi ridicate în timpul funcționării.
- Înainte de a conecta aparatul la sursa de alimentare, asigurați-vă că tensiunea indicată pe aparat corespunde tensiunii rețelei de alimentare cu energie electrică.
- Nu utilizați aparatul dacă ștecărul, cablul de alimentare sau aparatul prezintă deteriorări.
- Copiii trebuie supravegheați, astfel încât aceștia să nu se joace cu aparatul.
- Feriți cablul de alimentare de suprafețele fierbinți.
- Nu conectați ștecărul la sursa de alimentare și nu acționați butoanele panoului de comandă cu mâinile ude.

- Conectați aparatul numai la o priză de perete cu împământare; asigurați-vă că ștecărul este introdus corect în priza de perete.
- Pentru evitarea situațiilor periculoase, nu conectați acest aparat la un temporizator extern.
- Nu așezați aparatul pe materiale inflamabile (fețe de masă, perdele etc.) sau în apropierea acestora.
- Nu așezați aparatul foarte aproape de perete sau de alte aparate. Lăsați un spațiu de cel puțin 10 cm în spatele, în lateralele și deasupra aparatului. Nu puneți nimic deasupra aparatului.
- Nu utilizați acest aparat în alt scop decât cel descris în cadrul prezentului manual.
- Nu lăsați aparatul să funcționeze nesupravegheat.
- În timpul preparării, aburul fierbinte este evacuat prin orificiul de evacuare a aerului. Feriți-vă mâinile și fața de aburul evacuat. De asemenea, feriți-vă de abur și de aerul fierbinte atunci când scoateți vasul de preparare din aparat.
- Suprafețele accesibile se pot încinge în timpul utilizării aparatului.
- Deconectați imediat aparatul de la sursa de alimentare dacă observați că aparatul emite fum negru. Așteptați ca emisia de fum să se oprească înainte de a scoate vasul de preparare din aparat.
- Tava de copt devine fierbinte atunci când este utilizată în friteuză. Utilizați întotdeauna mănuși în timpul manevrării tăvii de copt.

### Atenție!

- Așezați aparatul pe o suprafață orizontală, uniformă și stabilă.
- Acest aparat este destinat numai uzului casnic în condiții normale. Nu este conceput pentru utilizarea în bucătăriile personalului din magazine, birouri, ferme sau alte medii de lucru. De asemenea, aparatul nu este destinat utilizării de către clienții din hoteluri, moteluri, pensiuni sau alte spații similare.
- Dacă aparatul este utilizat în mod necorespunzător sau în scopuri profesionale sau semi-profesionale, precum și în cazul în care nu este utilizat în conformitate cu instrucțiunile din cadrul manualului de utilizare, garanția se anulează, iar producătorul își declină orice răspundere pentru daunele apărute.
- În cazul în care aparatul trebuie verificat sau reparat, apălați întotdeauna la un centru de service autorizat. Nu încercați să reparați aparatul pe cont propriu, deoarece acest lucru va determina anularea garanției.
- Deconectați aparatul de la sursa de alimentare după fiecare utilizare.
- Lăsați aparatul să se răcească aproximativ 30 de minute înainte de a-l manevra sau curăța.
- Asigurați-vă că ingredientele preparate în acest aparat capătă o culoare galben-aurie și nu închisă sau maro. Îndepărtați resturile arse. Nu preparați cartofii proaspeți la o temperatură de peste 200°C (pentru a reduce la minimum producerea de acrilamidă).

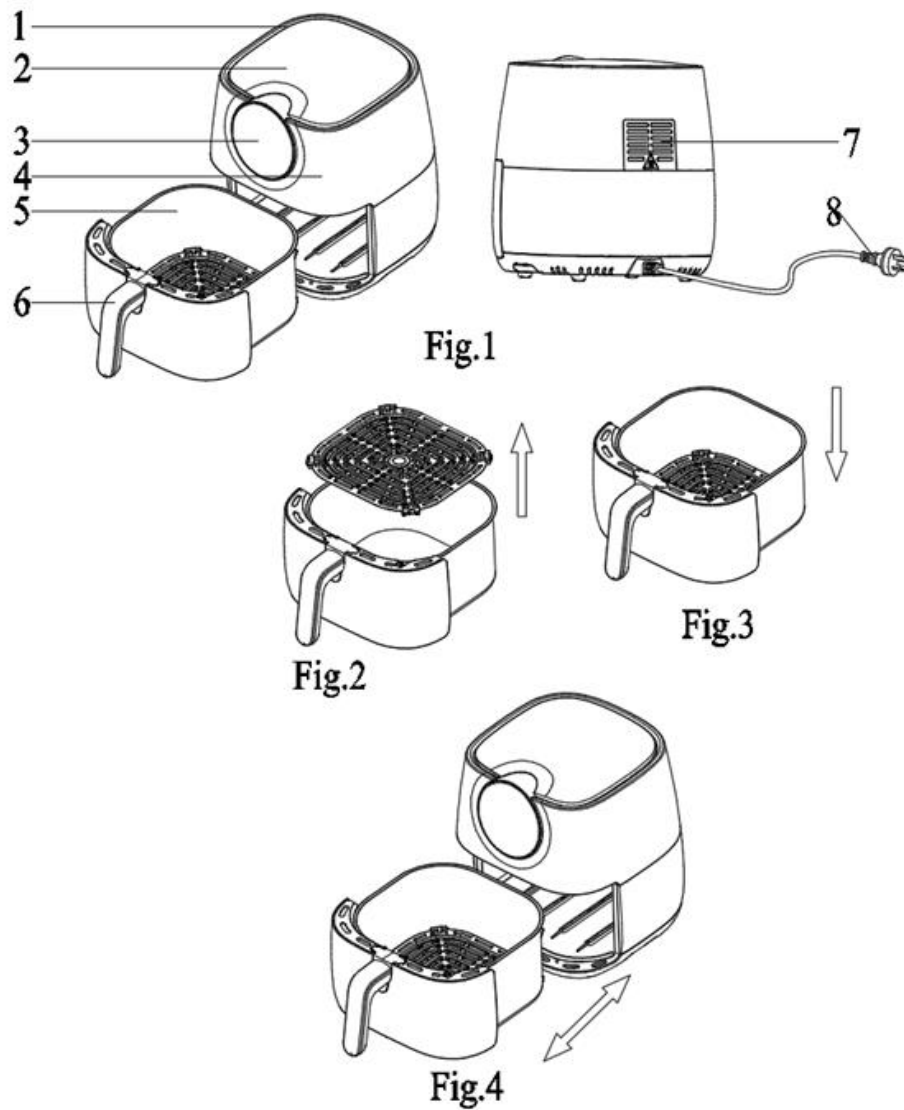
### Înainte de prima utilizare

- Îndepărtați toate materialele de ambalaj.
- Scoateți toate autocolantele sau etichetele de pe aparat.
- Curățați cu apă fierbinte coșul și vasul de preparare, utilizând puțin detergent de vase și un burete neabraziv.

Observație: Aceste componente pot fi spălate și în mașina de spălat vase.

- Ștergeți interiorul și exteriorul aparatului cu o cârpă umedă.
- Aceasta este o friteuza care funcționează cu aer fierbinte. Nu umpleți vasul de preparare cu ulei sau cu grăsime.

## 4. DESCRIEREA PRODUSULUI



- 1.Orificiu de admisie a aerului
2. Carcasa superioara
3. Panoul de control
4. Carcasa
5. Cos
6. Mânerul coșului
7. Orificiu de evacuare a aerului
8. Cablu de alimentare (cablu electric)

## 5. UTILIZAREA PRODUSULUI

1. Conectați ștecărul la o priză de perete prevăzută cu împământare.
2. Scoateți cu grijă vasul de preparare din friteuză (Fig. 4).
3. Puneți ingredientele în coș (Fig. 3).

Observație: Nu umpleți coșul peste nivelul indicat de gradația MAX și nu depășiți cantitatea indicată în tabel, deoarece calitatea rezultatului final ar putea fi afectată.

Sfat: Utilizați separatorul pentru a separa ingredientele atunci când doriți să preparați simultan ingrediente diferite. Puneți separatorul în coș și umpleți fiecare parte a coșului cu ingredientele dorite.

Asigurați-vă că verificați durata de preparare și temperatura necesare pentru diferite ingrediente înainte de a începe să le preparați simultan. Cartofii tăiați cubulețe și șnițelele, de exemplu, pot fi preparate simultan, deoarece necesită aceleași setări. Vă rugăm să rețineți că, pentru fiecare ingredient, cantitatea maximă este jumătate din cantitatea normală.

4. Reintroduceți vasul de preparare în friteuză (Fig. 4).

Nu utilizați niciodată vasul de preparare fără coș.

Atenție: Nu atingeți vasul de preparare în timpul utilizării și un anumit timp după utilizare, deoarece acesta se încinge. Țineți vasul de preparare numai de mâner.

5. Determinați timpul necesar de preparare pentru ingredient

6. Unele ingrediente necesită agitare la jumătatea timpului de preparare (consultați informațiile din secțiunea „Setări” din cadrul prezentului capitol). Pentru a agita ingredientele, scoateți vasul de preparare din aparat ținându-l de mâner și agitați-l. Reintroduceți vasul de preparare în friteuză.

7. Semnalul sonor emis indică faptul că durata de preparare stabilită s-a scurs. Scoateți vasul de preparare din aparat și puneți-l pe un suport stabil.

8. Verificați dacă ingredientele sunt preparate.

Dacă ingredientele nu sunt încă preparate, reintroduceți vasul de preparare în aparat și reglați temporizatorul pentru a prepara ingredientele câteva minute în plus.

9. Pentru a scoate ingredientele (de exemplu, cartofii prăjiți), scoateți vasul de preparare din friteuză și așezați-l pe suportul stabil, apoi apăsați pe butonul pentru deblocarea coșului și scoateți coșul din vasul de preparare.

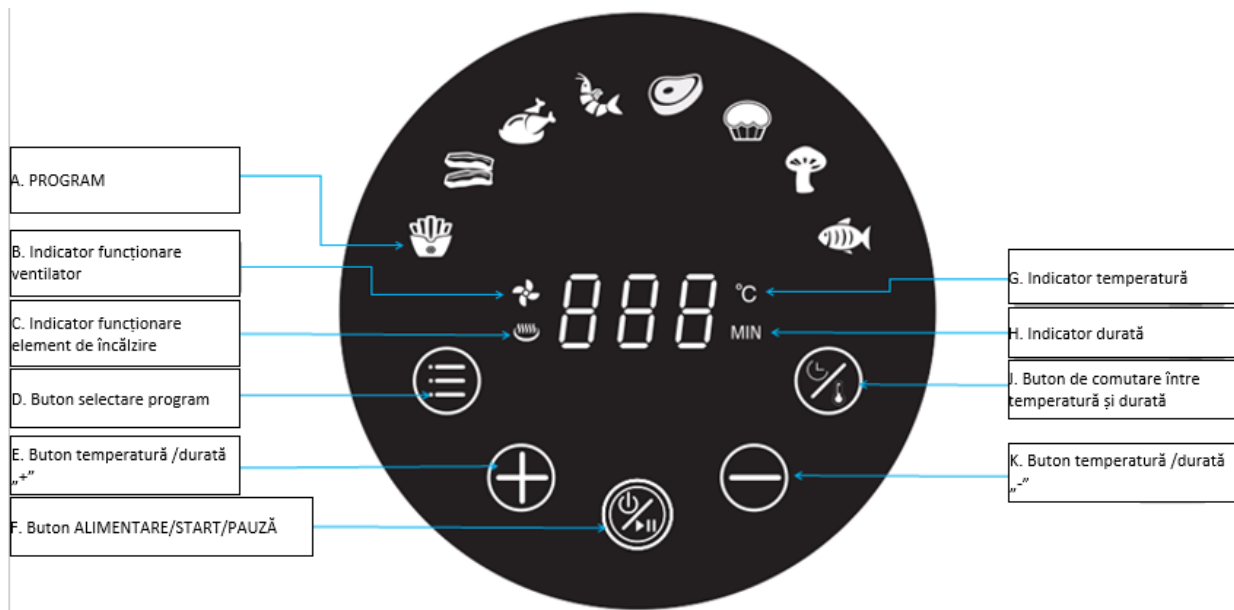
Nu răsturnați coșul atât timp cât vasul de preparare este atașat de acesta, deoarece excesul de ulei care s-a strâns fundul vasului de preparare se va scurge pe ingrediente.

Vasul de preparare și ingredientele sunt fierbinți. Friteuza este fierbinte. În funcție de tipul ingredientelor din friteuză, din vasul de preparare poate fi emis abur.

10. Goliți coșul într-un castron sau pe o farfurie.

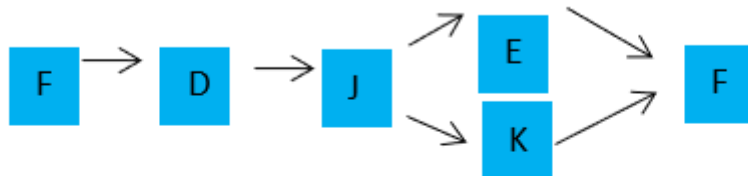
Sfat: Pentru a scoate ingredientele mari sau fragile, luați-le din coș cu ajutorul unui clește de bucătărie.

11. Atunci când o serie de ingrediente este gata, friteuza cu aer cald este gata imediat pentru prepararea unei alte serii.

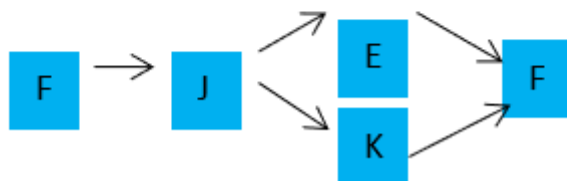


1 – Cartofi prajiti 	2- Friptura 	3- Bacon 	4- Pui 
5- Peste 	6- Creveti 	7- Coacere 	8- Ciuperci 

### 1. Funcționare cu program prestabilit



### 2. Funcționare cu program personalizat



Tabelul de mai jos vă va ajuta în alegerea setărilor principale pentru diferite ingrediente.

Deoarece tehnologia „Rapid Air” reîncălzește instantaneu aerul din interiorul aparatului, tragerea scurtă a vasului de preparare din friteuză în timpul funcționării nu influențează semnificativ rezultatul preparării.

## Recomandări

- De obicei, ingredientele de dimensiuni reduse necesită un timp de preparare puțin mai scurt decât ingredientele mai mari.
- O cantitate mai mare de ingrediente necesită un timp de preparare puțin mai lung, iar o cantitate mai



- mică de ingrediente necesită un timp de preparare puțin mai scurt.
- Agitarea ingredientelor de dimensiuni reduse la jumătatea timpului de preparare optimizează rezultatul final și poate ajuta la prevenirea preparării neuniforme a ingredientelor.
  - În cazul preparării cartofilor proaspeți, puneți puțin ulei în vasul de preparare, iar cartofii vor fi mai crocanți. Puneți ingredientele în friteuza cu aer cald la câteva minute după ce ați pus uleiul.
  - Nu preparați ingrediente cu un conținut ridicat de grăsime (cum ar fi, de exemplu, carnații) în friteuza cu aer cald.
  - Gustările care pot fi preparate la cuptor pot fi preparate și în friteuza cu aer cald.
  - Cantitatea optimă pentru prepararea cartofilor prăjiți crocanți este de 500 de grame.
  - Utilizați aluat gata făcut pentru a găti rapid și ușor gustări umplute. Acest aluat necesită un timp de preparare mai scurt decât aluatul făcut în casă.
  - Așezați o formă de copt sau un vas pentru cuptor în coșul friteuzei cu aer cald, dacă doriți să coaceți un tort sau o tarta, sau dacă doriți să preparați ingrediente fragile sau gustări umplute.
  - De asemenea, puteți utiliza friteuza pentru a reîncălzi ingredientele. Pentru a reîncălzi ingredientele, setați temperatura la 150 °C și puneți aparatul în funcțiune timp de cel mult 10 minute.

	Cantitate minimă - maximă (g)	Durăță (min.)	Temperatură (°C)	Agitare	Informații suplimentare
<b>Cartofi și cartofi pai</b>					
Cartofi tăiați subțire congelați	500-600	18-25	200	agitați	
Cartofi tăiați gros congelați	500-600	20-25	200	agitați	
Cartofi gratinați	600	20-25	200	agitați	
<b>Carne</b>					
Cotlet	100-600	12-18	180	Nu	
Cotlete de porc	100-600	12-18	180	Nu	
Hamburger	100-600	10-20	180	Nu	
Pateuri cu carne	100-600	13-15	200	Nu	
Ciocănele de pui	100-600	25-30	180	Nu	
Piept de pui	100-600	18-25	180	Nu	
<b>Gustări</b>					
Rulouri de primăvara	100-600	8-10	200		
Nuggets de pui congelate	100-600	8-12	180		
Crochete de pește congelate	100-500	6-10	200		
Crochete de cașcaval congelate	100-500	8-10	180		
Legume umplute	100-500	12-20	160		
<b>Coacere</b>					
Prăjituri	500	8-15	180		
Tartă	500	20-22	180		
Brioșe	500	15-18	200		
Gustări dulci	350	20	160		

## 6. CURĂȚARE

Curățați aparatul după fiecare utilizare.

Vasul de preparare și grătarul pentru poziționarea alimentelor sunt prevăzute cu un înveliș neaderent. Nu folosiți ustensile de bucătărie din metal sau substanțe abrazive pentru a le curăța, deoarece acestea pot deteriora învelișul neaderent.

1. Deconectați ștecărul de la sursa de alimentare și lăsați aparatul să se răcească.

Observație: Pentru ca friteuza cu aer cald să se răcească mai repede, scoateți coșul din aceasta.

2. Ștergeți exteriorul aparatului cu o cârpă umedă.

3. Curățați cu apă fierbinte coșul și grătarul de poziționare a alimentelor, utilizând puțin detergent de vase și un burete neabraziv.

Pentru a elimina murdăria rămasă, puteți utiliza lichid degresant.

Observație: Coșul și grătarul de poziționare a alimentelor sunt potrivite pentru spălare în mașina de spălat vase.

Sfat: Dacă murdăria se lipește de coș sau de grătarul de poziționare a alimentelor, puneți în coș apă fierbinte și puțin detergent de vase. Puneți grătarul de poziționare a alimentelor în coș și lăsați grătarul și coșul la înmuiat timp de aproximativ 10 minute.

1. Curățați interiorul aparatului cu apă fierbinte și cu un burete neabraziv.

2. Curățați elementul de încălzire cu o perie, pentru a îndepărta resturile de alimente.

### Depozitare

1. Deconectați ștecărul de la sursa de alimentare și lăsați aparatul să se răcească.

2. Asigurați-vă că toate componentele sunt curate și uscate.

3. Împingeți cablul în compartimentul de depozitare a cablului. Fixați cablul prin introducerea acestuia în fanta de fixare.

### Comandarea accesoriilor

Dacă întâmpinați dificultăți în obținerea de accesorii pentru aparatul dumneavoastră, vă rugăm să contactați Centrul de asistență pentru clienți din țara dumneavoastră. Datele de contact ale acestuia sunt disponibile în certificatul de garanție.

### Protejarea mediului înconjurător

Atunci când aparatul ajunge la finalul duratei de exploatare, nu îl aruncați împreună cu deșeurile menajere, ci adresați-vă unui punct de colectare a deșeurilor în vederea reciclării. Procedând astfel, ajutați la protejarea mediului înconjurător.

## 7. REMEDIEREA PROBLEMELOR

Problemă	Cauză posibilă	Soluție
Friteuza cu aer cald nu funcționează	Aparatul nu este conectat la sursa de alimentare.	Conectați ștecărul la o priză de perete prevăzută cu împământare.
	Este necesară reglarea temporizatorului.	Rotiți butonul de reglare a temporizatorului la timpul de preparare dorit, pentru a porni aparatul.
Ingredientele nu sunt preparate suficient	Cantitatea de ingrediente din coș este prea mare.	Puneți în coș cantități mai mici de ingrediente. Cantitățile mai mici sunt preparate mai uniform.
	Temperatura setată este prea scăzută.	Rotiți butonul pentru reglarea temperaturii la temperatura dorită la temperatura dorită (consultați informațiile din secțiunile „Setări” și „Utilizarea aparatului”).
	Durata de preparare este prea scurtă.	Rotiți butonul de reglare a temporizatorului la timpul necesar (consultați informațiile din secțiunile „Setări” și „Utilizarea aparatului”).
Ingredientele sunt preparate neuniform.	Anumite tipuri de ingrediente trebuie să fie agitate la jumătatea timpului de preparare.	Ingredientele care se află în partea superioară sau unele peste celelalte (de exemplu, cartofii pai) trebuie să fie agitate la jumătatea timpului de preparare. Consultați informațiile din secțiunile „Setări” și „Utilizarea aparatului”.
Gustările nu sunt crocante atunci când sunt scoase din friteuză.	Ați utilizat ingrediente destinate preparării într-o friteuză tradițională.	Utilizați gustări destinate preparării la cuptor sau aplicați puțin ulei pe gustări, pentru ca acestea să fie mai crocante în urma preparării.
Vasul de preparare nu poate fi introdus corespunzător în aparat.	Sunt prea multe ingrediente în coș.	Nu umpleți coșul peste semnul MAX.
	Coșul nu este așezat corect în vasul de preparare.	Apăsați pe coș în vasul de preparare până la fixarea acestuia în poziție.
Aparatul emite fum alb.	Preparați ingrediente cu un conținut ridicat de grăsime.	Atunci când preparați ingrediente cu un conținut ridicat de grăsime, o cantitate mare de ulei se va scurge în vasul de preparare. Uleiul produce fum alb, iar vasul de preparare se poate încălzi mai mult decât de obicei. Acest lucru nu afectează funcționarea aparatului sau rezultatul final.
	Vasul de preparare conține grăsime rămasă în urma utilizării anterioare.	Fumul alb este cauzat de grăsimea care se încălzește în vasul de preparare. Curățați bine vasul de preparare după fiecare utilizare.
Cartofii proaspeți sunt preparați neuniform.	Nu ați folosit tipul de cartofi potrivit.	Utilizați cartofi proaspeți și asigurați-vă că aceștia nu se înmoaie.
	Nu ați clătit corespunzător cartofii pai înainte de a-i prepara.	Clătiți corespunzător cartofii pai pentru a îndepărta amidonul de pe aceștia.
Cartofii nu sunt crocanți atunci când sunt scoși din friteuză.	Textura crocantă a cartofilor depinde de cantitatea de ulei din vasul de preparare și de cantitatea de apă din cartofi.	Asigurați-vă că îndepărtați apa de pe cartofi înainte de a adăuga uleiul.
		Tăiați cartofii în bucăți mai mici, pentru ca aceștia să fie mai crocanți în urma preparării.
		Adăugați puțin mai mult ulei pentru a prepara cartofi mai crocanți.

## SERVICE ȘI ASISTENȚĂ PENTRU CLIEȚI

Utilizați numai piese de schimb originale.

Când contactați centrul nostru de service autorizat, asigurați-vă că aveți la îndemână următoarele informații:  
Denumirea modelului și numărul de serie.

Informațiile pot fi găsite pe plăcuța cu date tehnice. Acestea pot suferi modificări fără o notificare prealabilă.

## DATE TEHNICE

Tensiune de alimentare	220-240V~50/60Hz
Putere	1700 W
Capacitate	5.7 L
Temperatura	80-200 °C



### MASURI PENTRU PROTECTIA MEDIULUI

Va informam ca persoanele fizice au urmatoarele obligatii prin legislatia specifica privind protectia mediului si regimul deseurilor:

- Deseurile de echipamente electrice si electronice (DEEE), pot contine substante periculoase pentru mediu si sanatatea umana. Conform OUG 5/2015, exista obligativitatea predarii acestora, pentru tratarea corespunzatoare si valorificarea componentelor reciclabile. Societatea Network One Distribution S.R.L. este platitoare de taxa de "timbru verde" pentru fiecare Echipament Electric si Electronic (EEE) pe care il pune pe piata. Acest cost asigura tratarea ulterioara a echipamentelor uzate colectate. Din acest motiv, odata ce devine deșeu, produsul EEE poate fi predat gratuit operatorului Dvs. de salubritate, la magazine atunci cand achizitionati alt echipament similar, sistemul "unul la unu" sau la punctul de colectare organizat de Primaria Sectorului / localitatii Dvs.
- Simbolul (marcajul) aplicat produselor, care indica faptul ca deseurile DEEE, bateriile si acumulatorii - fac obiectul unei colectari separate, il reprezinta o pubea barata cu o cruce.



### ***Aceste masuri vor ajuta la protejarea mediului***

Societatea Network One Distribution S.R.L. este inregistrata in Registrul de punere pe piata a echipamentelor electrice si electronice, avand numarul de inregistrare: RO-2016-03-EEE-0201-IV. De asemenea, au fost intocmite si sunt gestionate: Registrul de Retragere EEE si Registrul de Rechemare EEE, in conformitate cu HG 322/2013. Totodata societatea este inregistrata in Registrul de punere pe piata a bateriilor, avand numarul de inregistrare: RO-2011-03-B&A-0283.

Conformitatea cu directiva RoHS: Produsul pe care l-ați cumpărat este conform cu Directiva RoHS UE (2011/65/UE). Nu conține materialele dăunătoare și interzise specificate în Directivă.

**Va multumim ca participati alaturi de noi la protejarea mediului si a sanatatii umane!**

Vă mulțumim pentru achiziționarea acestui produs! Dacă aveți nevoie de asistență în ceea ce privește produsul dumneavoastră, vizitați site-ul nostru web utilizând linkurile de mai jos.

**Obțineți manuale de utilizare:** <https://www.heinner.ro>

**Obțineți informații privind reparațiile:** <https://www.heinner.ro>



**HEINNER** este marcă înregistrată a companiei **Network One Distribution SRL**. Celelalte branduri și denumirile produselor sunt mărci de comerț sau mărci de comerț înregistrate ale respectivilor deținători.

Nicio parte a specificațiilor nu poate fi reprodusă sub nicio formă și prin niciun mijloc, nici utilizată pentru obținerea unor derivate precum traduceri, transformări sau adaptări, fără consimțământul prealabil al companiei NETWORK ONE DISTRIBUTION.

Copyright © 2013 Network One Distribution. Toate drepturile rezervate.

[www.heinner.com](http://www.heinner.com), <http://www.nod.ro>



Acest produs este proiectat și realizat în conformitate cu standardele și normele Comunității Europene.



Importator: **Network One Distribution**

Str. Marcel Iancu, nr. 3-5, București, România

Tel: +40 21 211 18 56, [www.heinner.com](http://www.heinner.com) , [www.nod.ro](http://www.nod.ro)

# FORRÓLEVEGŐS SÜTŐ

Modell:  
SmartFry  
HAF-B6WH1700



- Kapacitás: 5.7 L
- Teljesítmény: 1700 W
- Hőmérséklet 80-200°C

**HEINNER**

## 1. BEVEZETŐ

Kérjük, figyelmesen olvassa el az utasításokat, és őrizze meg a kézikönyvet későbbi tanulmányozás céljából.

A kézikönyv célja a készülék beszerelésével, használatával és karbantartásával kapcsolatos minden szükséges tudnivalót rendelkezésére bocsátani. A készülék helyes és biztonságos használata érdekében, kérjük, hogy beszerelés és használat előtt olvassa el figyelmesen a használati kézikönyvet.

## 2. AZ ÖN CSOMAGJÁNAK TARTALMA

- ➔ **Forrólevegős sütő**
- ➔ **Használati kézikönyv**
- ➔ **Jótállási bizonylat**
- ➔ **Megfelelőségi nyilatkozat**

## 3. A BIZTONSÁGRA VONATKOZÓ UTASÍTÁSOK

### ÁLTALÁNOSSÁGOK

- A készüléket 8 év fölötti gyermekek, csökkent fizikai, érzéki vagy szellemi képességekkel, gyakorlattal vagy ismeretekkel rendelkezők csak akkor használhatják, ha felügyelik, vagy felkészítik őket a készülék biztonságos használatára, és ha megértik a készülék használatával járó veszélyeket. Tilos gyermekeknek a készülékkel játszani. A készülék tisztítását és karbantartását nem végezhetik gyermekek, kivéve, ha legalább 8 évesek, és felügyelve vannak.
- Ne hagyja a készüléket és a tápvezetékét 8 éven aluli gyermekek keze ügyében.
- Ne merítse vízbe és ne öblítse vízszugár alatt a készülék burkolatát és a fűtőelemeket, mert azok elektromos alkatrészeket tartalmaznak.
- Az áramütés elkerülése érdekében ügyeljen rá, hogy a készülékbe ne juthasson víz vagy egyéb folyadék.
- Az elkészítendő alapanyagokat mindig a kosárba tegye, hogy ne érintkezhessenek a fűtőelemekkel.
- A készülék működése közben ne takarja le a levegőbemeneti és levegőkimeneti nyílásokat.
- Ne töltsön a sütőedénybe olajat, mert az tűzveszélyt okozhat.
- Működés közben ne érintse meg a készülék belsejét.
- A hozzáférhető felületek átforrósodhatnak a használat során.
- Mielőtt a készüléket bedugná a csatlakozóaljzatba, győződjön meg, hogy a készüléken feltüntetett feszültség megfelel a hálózati feszültségnek.
- Ne használja a berendezést, ha a dugasz és a tápkábel sérült, vagy ha a készülék hibás.
- A gyerekek esetében állandó felügyelet szükséges, ne engedje, hogy a készülékkel játsszanak.
- Óvja a tápkábelt a forró felületektől.
- Nedves kézzel ne csatlakoztassa a dugaszt az elektromos hálózatra és ne érjen a vezérlőpanel gombjaihoz.
- A készüléket csak földeléssel ellátott fali aljzathoz csatlakoztassa; győződjön meg róla, hogy a dugaszt megfelelően behelyezte a falicsatlakozóba.
- A veszélyes helyzetek elkerülése érdekében ezt a készüléket ne csatlakoztassa külső időzítőhöz.

- Ne helyezze a készüléket gyúlékony anyagokra (asztalterítők, függönyök stb.) vagy azok közelébe.
- Ne helyezze a készüléket túl közel a falhoz vagy más készülékekhez. Hagyjon szabadon legkevesebb 10 cm helyet a készülék mindkét oldalán, hátoldalán és felett.
- Ne használja a készüléket más célra, mint amire jelen kézikönyv alapján javasolt.
- Soha ne hagyja a készüléket felügyelet nélkül működni.
- Működés közben a forró levegő kiáramlik a készülékből a levegő kimeneti nyíláson keresztül. Óvja kezét és arcát a kiáramló forró gőztől. Ugyanakkor óvakodjon a forró gőztől akkor is, amikor a sütőedényt kiemeli a készülékből.
- Az elérhető alkatrészek a készülék használata során felforrósodhatnak.
- Ha a készülék belsejéből fekete füst szivárog, azonnal csatlakoztassa le a készüléket a tápforrásról. Várja meg amíg a füst elszáll és csak az után vegye ki a sütőedényt a készülékből.
- A készülék működése közben a sütőtálca felforrósodik. A sütőtálcát csak védőkesztyűt használva érintse meg.

## Figyelem!

- Helyezze a készüléket vízszintes, egyenletes és stabil felületre.
- A készüléket kizárólag háztartási használat céljára tervezték. Nem ajánlott üzletek, irodák, gazdaságok személyzeti konyhájában vagy egyéb munkakörnyezetben való használatra sem. Úgyszintén, a készülék nem használható szállodák, motelek, panziók vagy hasonló vendéglátó egységek ügyfelei által.
- Ha a készüléket nem megfelelően vagy szakmai, fél szakmai célokra, illetve nem a használati útmutatóban leírtak szerint használja, a garancia elveszíti érvényességét, és a gyártó nem vállal semmilyen felelősséget az esetleges károkért.
- Ha a készüléket ellenőrizni vagy javítani kell, mindig forduljon hivatalos szervizközpontozhoz. Ne próbálja házilag megjavítani a készüléket, mert az a garancia elvesztéséhez vezethet.
- Használat után minden alkalommal húzza ki a dugaszt az áramforrásból.
- Bármilyen művelet elvégzése előtt, hagyja körülbelül 30 percig kihűlni a készüléket.
- Ügyeljen rá, hogy a készülékben elkészített élelmiszereket aranyárgán, nem pedig sötétre vagy barnára sütve vegye ki. Távolítsa el a megégett részeket. Ne süssön friss burgonyát 200°C feletti hőmérsékleten (az akrilsav termelődésének minimalizálása érdekében).

## Az első használat előtt

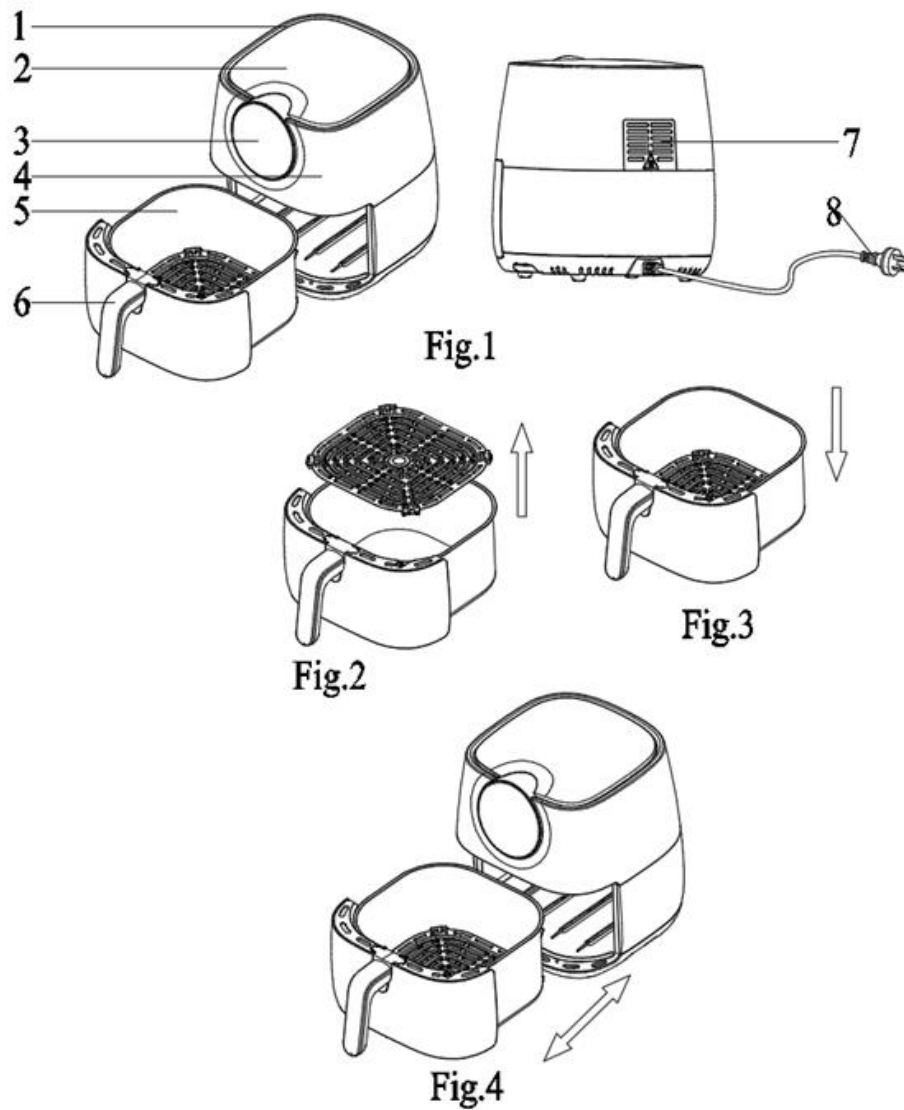
- Távolítsa el minden csomagoló anyagot.
- Vegye le az összes címkét és matricát a készülékről.
- Dörzsmentes szivaccsal tisztítsa meg mosogatószeres forró vízben a kosarat és a sütőedényt.

Megjegyzés: Ezeket a tartozékokat mosogatógépben is tisztíthatja.

- Törölje meg a készülék belső és külső részeit nedves törlőronggyal.
- Ez egy olyan sütő, amelyik forró levegővel működik. Ne töltsen fel a sütőedényt olajjal vagy zsiradékkal.



## 4. A TERMÉK LEÍRÁSA



1. Levegő bemenet
2. Felső fedél
3. Vezérlőpult
4. Lakás
5. Fazék
6. Kosárfogantyú
7. Levegő kimenet
8. Tápkábel

## 5. A TERMÉK HASZNÁLATA

1. Csatlakoztassa a dugaszt egy földeléssel ellátott falicsatlakozóba.

2. Vegye ki óvatosan a sütőedényt a sütőből (4. Ábra).

3. Tegye a hozzávalókat a kosárba (3. Ábra).

Megjegyzés: Ne töltse a kosarat a MAX jelzésen túl és ne lépje túl a táblázatban megadott mennyiséget, mivel ez befolyásolhatja a végeredmény minőségét.

Tanács: Használja az elválasztót a hozzávalók szétválasztására, ha egyszerre szeretne különböző hozzávalókat elkészíteni. Helyezze az elválasztót a kosárba, és töltse meg a kosár mindkét oldalát a kívánt hozzávalókkal.

A párhuzamos elkészítés megkezdése előtt ellenőrizze le gondosan a különböző hozzávalók elkészítési idejét és hőmérsékletét. Például a kockára vágott burgonya és a bécsi szelet egyszerre is készíthető, mivel azonos beállításokat igényelnek. Kérjük, jegyezze meg, hogy a hozzávalók maximális mennyisége a normális mennyiségnek csak fele lehet.

4. Helyezze vissza a sütőedényt a sütőbe (4. Ábra).

Soha ne használja a sütőedényt a kosár nélkül.

Figyelem: Használat közben és közvetlenül utána ne érintse meg a sütőedényt, mert az nagyon felforrósodik.

A sütőedényt csak a fogantyújánál fogja meg.

5. Használja a kezelőpanelt az alábbiak szerint

6. Egyes hozzávalókat a készítési idő felénél meg kell kavarni (tanulmányozza a jelen fejezet „Beállítások” alpontját). A hozzávalók összekavarásának érdekében vegye ki a sütőedényt a fogantyújától fogva a készülékből és kavarja meg a hozzávalókat. Helyezze vissza a sütőedényt a sütőbe.

7. A hangjelzés jelzi, hogy a beállított főzési idő letelt. Vegye ki a készülékből a sütőedényt és helyezze egy stabil felületre.

8. Ellenőrizze, hogy a hozzávalók elkészültek-e.

Ha a hozzávalók nem készültek még el, helyezze vissza a sütőedényt a készülékbe és állítsa be az időzítőt további néhány percre.

9. Ahhoz, hogy kivegye a hozzávalókat (például a sült krumplit) vegye ki a sütőedényt a sütőből és helyezze a stabil tartóra, majd nyomja meg a kosár kioldó gombot és emelje ki a kosarat a sütőedényből.

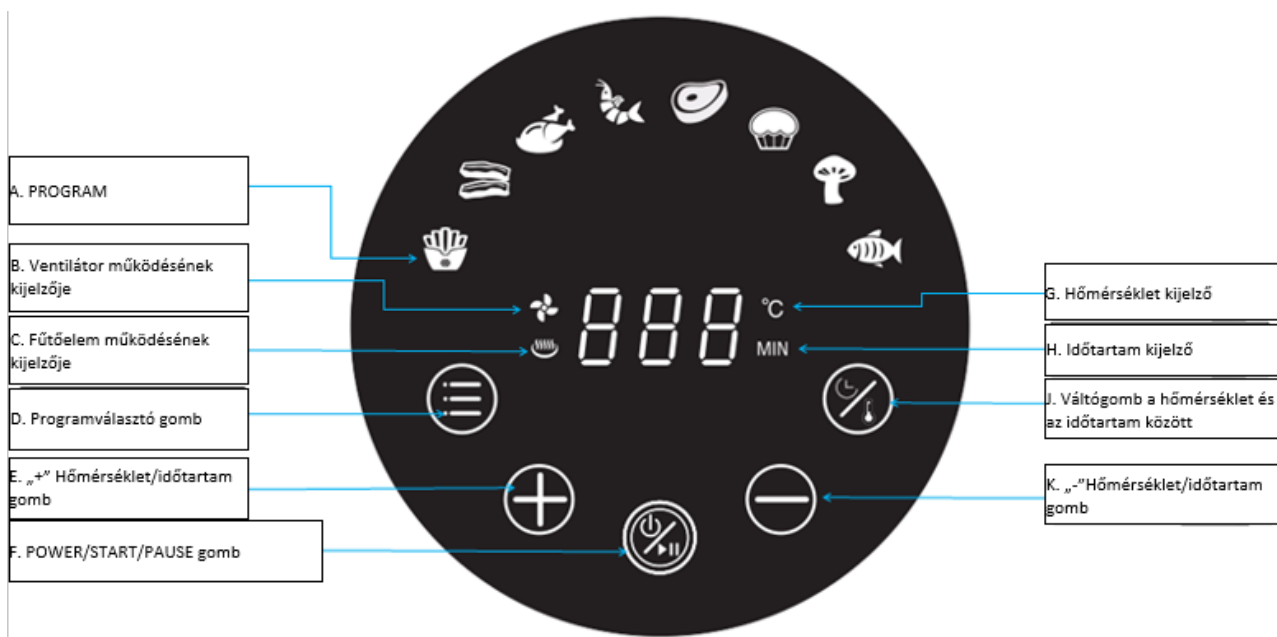
Ne fordítsa fel a kosarat, amíg az edényre van csatlakoztatva, mert az edény alján összegyűlt olaj ráömlik a hozzávalókra.

A sütőedény és a hozzávalók forrók. A sütő forró. A hozzávalók jellegétől függően a sütőedényből gőz szabadulhat fel.

10. Ürítse a kosár tartalmát egy tálba vagy egy tányérra.

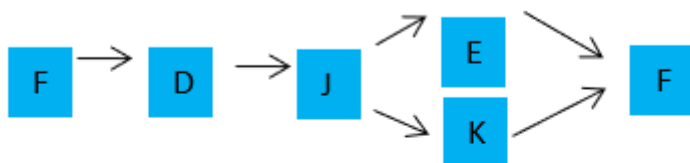
Tanács: A nagy és törékeny hozzávalókat egy konyhai csipesz segítségével emelje ki a kosárból.

11. Amikor egy adag hozzávaló elkészült a sütő készen áll egy újabb adag készítésére.

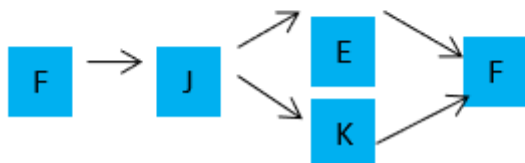


1 – sult krumplics	2- Rostélyos	3- Bacon	4- Csirke
5- Hal	6- Gernélarák	7- Sütés	8- Gomba

### 1. Előre beállított üzemmód



### 2. Testreszabott programműködés



Az alábbi táblázat segít kiválasztani a megfelelő beállításokat a fontosabb hozzávalókra vonatkozóan. A „Rapid Air” technológiának köszönhetően a süttendő rövid ideig tartó kiemelés a sütőből nincs hatással a készítés eredményére, hiszen ez a technológia pillanatok alatt tudja biztosítani a szükséges hőmérsékletet a készülék belsejében.

## Javaslatok

- Általában a kisebb hozzávalók hamarabb elkészülnek, mint a nagyobb hozzávalók.
- Nagyobb mennyiségű hozzávalónak több időre van szüksége ahhoz, hogy elkészüljön, mint a kisebb mennyiségű hozzávalónak.
- A kisebb méretű összetevők a készítési idő felénél történő összekavarása optimalizálja a végeredményt és segít megelőzni a hozzávalók egyenlőtlen sülését.
- Ha friss burgonyát süt, cseppentsen a sütőedény aljára néhány csepp olajat, így a burgonya ropogósabb lesz. Helyezze a hozzávalókat a sütőbe néhány perccel az után, hogy hozzáadta az olajat.
- Soha ne készítsen olyan zsíros hozzávalókat (mint például kolbászt) a forrólevegős sütőben.
- A sütőben készíthető harapnivalókat a forrólevegős sütőben is elkészítheti.
- A ropogós sültburgonya készítés optimális mennyisége 500 gramm.
- Töltött harapnivalók gyors és könnyű elkészítéséhez használjon kész tésztát. Ez a tészta rövidebb idő alatt elkészül, mint az otthon készített változata.
- Ha tortát, pitét, törekeny hozzávalókat vagy töltött harapnivalókat szeretne készíteni, helyezzen egy edényt vagy egy sütőformát a kosárba.
- Úgyisintén, használhatja a forrólevegős sütőt hozzávalók felmelegítésére is. A hozzávalók felmelegítéséhez állítsa be a hőmérsékletet 150 °C-ra és kapcsolja be a készüléket legtovább 10 percre.

	Mennyiség minimum- maximum (g)	Időtartam (perc)	Hőmérséklet (°C)	Kavargatás	További információk
<b>Burgonya és hasábburgonya</b>					
Vékonyra vágott fagyasztott burgonya	500-600	18-25	200	kavarja össze	
Vastagra vágott fagyasztott burgonya	500-600	20-25	200	kavarja össze	
Rakott burgonya	600	20-25	200	kavarja össze	
<b>Hús</b>					
Karaj	100-600	12-18	180	No	
Sertéskaraj	100-600	12-18	180	No	
Hamburger	100-600	10-20	180	No	
Húspogácsa	100-600	13-15	200	No	
Csirkecomb	100-600	25-30	180	No	
Csirkemell	100-600	18-25	180	No	
<b>Harapnivalók</b>					
Tavaszi tekercs	100-600	8-10	200		
Fagyasztott csirkefalatkák	100-600	8-12	180		
Fagyasztott hal rudacskák	100-500	6-10	200		
Fagyasztott sajt rudacskák	100-500	8-10	180		
Töltött zöldségfélék	100-500	12-20	160		
<b>Sütés</b>					
Sütemények	500	8-15	180		
Pite	500	20-22	180		
Muffin	500	15-18	200		
Édes harapnivalók	350	20	160		

## 6. TISZTÍTÁS

Tisztítsa meg a készüléket minden egyes használat után.

A főzőedény és az ételek elhelyezésére szolgáló rács tapadásmentes bevonattal van ellátva. A tisztításhoz ne használjon fémből készült konyhai eszközöket vagy dörzshatású tisztítószeret, mert azok károsíthatják a tapadásmentes bevonatot.

1. Húzza ki a dugaszt a tápforrásból és várja meg, amíg a készülék kihűl.

Megjegyzés: Ahhoz, hogy a forrólevegős sütő gyorsabban lehűljön, vegye ki belőle a kosarat.

2. A készülék külső burkolatát törölje meg egy nedves törlőronggyal.

3. Tisztítsa meg a kosarat és az ételek elhelyezésére szolgáló rácsot forró vízzel, egy kevés mosogatószer és egy nem súroló szivacs segítségével.

A lerakódások eltávolítására használjon zsíroldó folyadékot.

Megjegyzés: Élelmiszer elhelyező kosár és rács alkalmasak mosogatógépben történő mosogatóra.

Tanács: Ha a kosárhoz vagy az ételek elhelyezésére szolgáló rácshoz szennyeződés tapad, tegyen forró vizet és egy kevés mosogatószeret a kosárba. Tegye az étellehelyező rácsot a kosárba, és hagyja a rácsot és a kosarat kb. 10 percig ázni.

1. A készülék belsejét forró vízzel és dörzsmentes szivaccsal tisztítsa.

2. A fűtőelem tisztításához használjon egy kefét, amellyel eltávolíthatja az ételmaradékokat.

### Tárolás

1. Húzza ki a dugaszt a tápforrásból és várja meg, amíg a készülék kihűl.

2. Győződjön meg róla, hogy minden alkatrész tiszta és száraz.

3. Nyomja a kábelt a kábeltároló rekeszbe. Rögzítse a kábelt a rögzítő nyílásba történő behelyezéssel.

### Tartozékok rendelése

Ha nehézségekbe ütközik a készülékhez szükséges tartozékok beszerzése során, kérjük, forduljon az országában működő ügyfélszolgálati központhoz. Elérhetőségük a garanciaigazolásban található.

### Környezetvédelem

A készülék élettartamának lejártá után ne dobja ki a többi háztartási hulladékkal, hanem újrahasznosítás céljából vegye fel a kapcsolatot egy gyűjtőközponttal. Így hozzájárulhat a környezet védelméhez.

## 7. HIBAELHÁRÍTÁS

Probléma	Esetleges ok	Megoldás
A forrólevegős sütő nem működik.	A készülék nincs csatlakoztatva az elektromos hálózathoz.	Csatlakoztassa a dugaszt egy földeléssel ellátott falicsatlakozóba.
	Az időzítő beállítása szükséges.	A bekapcsoláshoz fordítsa el az időzítő szabályzó gombot a kívánt készítési időtartamra.
A hozzávalók nincsenek elkészülve	Túl sok hozzávaló van a kosárban.	Tegyen kisebb mennyiségű hozzávalót a kosárba. A kisebb mennyiségek egyenletesebben készülnek el.
	A beállított hőmérséklet túl alacsony.	Fordítsa el a hőmérséklet szabályzó gombot a kívánt hőmérsékletre (tanulmányozza a „Beállítások” és a „Készülék használata” című fejezeteket).
	Az elkészítési idő túl rövid.	Fordítsa el az időzítő szabályzó gombot a megfelelő időtartamra (tanulmányozza a „Beállítások” és a „Készülék használata” című fejezeteket).
A hozzávalók egyenlőtlenül vannak elkészítve.	Egyes hozzávalókat össze kell kavarni az elkészítési idő felénél.	Azokat az összetevőket, amelyek legfelül vagy egymáson vannak (mint például a sült burgonya) az elkészítési idő felénél össze kell kavarni. Tanulmányozza a „Beállítások” és a „Készülék használata” című fejezeteket.
Amikor kiveszi a sütőből a harapnivalók nem ropogósak.	Hagyományos sütőben történő sütéshez való hozzávalókat használt.	Használjon megfelelő hozzávalókat vagy kenje be a harapnivalók tetejét kevés olajjal, így azok ropogósabbak lesznek.
A sütőedényt nem lehet megfelelően betenni a készülékbe.	Túl sok hozzávaló van a kosárban.	Csak a MAX jelzésig töltsen teli a kosarat.
	A kosár nincs megfelelően elhelyezve a főzőedényben.	Nyomja a kosarat a főzőedénybe, amíg az a helyére nem rögzül.
A készülékből fehér füst szivárog.	Magas zsírtartalmú hozzávalókat készít.	Amikor magas zsírtartalmú hozzávalókat készít jelentős mennyiségű zsír halmozódik fel az edény alján. Az olaj fehér füstöt képez, a sütőedény túlmelegedhet. Ez azonban nem befolyásolja a készülék működését vagy a végeredményt.
	A sütőedényből nem takarították ki az előző használat alatt felgyűlt zsíradékot.	A fehér füst a sütőedényben található zsíradék felmelegedése következtében jön létre. Minden használat után tisztítsa ki jól az edényt.
A friss burgonya egyenlőtlenül készül el.	Nem a megfelelő burgonyafajtát használta.	Használjon friss burgonyát, és ügyeljen arra, hogy ne legyen puhány.
	Készítés előtt nem mosta meg eléggé a burgonyát.	Öblítse le jól a hasábburgonyát, hogy a keményítő ne maradjon rajta.
Amikor kiveszi a sütőből a burgonya nem ropogós.	A burgonya ropogóssága a sütőedényben található olaj mennyiségétől és a burgonya víztartamától függ.	Mielőtt hozzáadná az olajat, győződjön meg róla, hogy a burgonya nem vizes.
		Minél kisebb darabokra vágja a burgonyát, annál ropogósabb lesz a készítés végén.
		Adjon hozzá egy kicsivel több olajat az igazán ropogós hasábburgonyáért.

## SZERVIZ ÉS ÜGYFÉLSZOLGÁLAT

Kizárólag eredeti cserealkatrészeket használjon.

Mielőtt felvenné a kapcsolatot az engedélyezett szakszervizünkkel, győződjön meg róla, hogy a következő adatok a rendelkezésére állnak: Modell megnevezése és sorozatszám.

Ezeket az adatokat a készülék műszaki adattábláján találja. Ezek az adatok előzetes értesítés nélkül is megváltoztathatók.

## MŰSZAKI ADATOK

Tápfeszültség	220-240V~50/60Hz
Teljesítmény	1700 W
Kapacitás	5.7 L
Hőmérséklet	80-200 °C

Köszönjük, hogy megvásárolta termékünket! Ha segítségre van szüksége a termékkel kapcsolatban, kérjük, látogasson el weboldalunkra az alábbi linkek segítségével.

**Használati útmutatók beszerzése:** <https://www.heinner.ro>

**Javítási információk letöltése:** <https://www.heinner.ro>



### A hulladékok környezetfelelős eltávolítása

Segíthet a környezet védelmében!

Kérjük, tartsa be a helyi rendelkezéseket: a nem működő elektromos berendezéseket a használt elektromos hulladékokat gyűjtő központba szolgáltassa be.



A HEINNER a **Network One Distribution SRL(KFT)** társaság által bejegyzett védjegy. A többi márkajelzés és a termékek megnevezése kereskedelmi vagy az illető birtoklók által bejegyzett márkanevek.

A leírtak egyetlen része sem használható fel semmilyen formában, még lefordított, átalakított változatban sem, a NETWORK ONE DISTRIBUTION előzetes beleegyezése nélkül.

Copyright © 2013 Network One Distribution. Minden jog fenntartva.

[www.heinner.com](http://www.heinner.com), <http://www.nod.ro>



A terméket az Európai Közösség előírásainak és jogszabályainak megfelelően tervezték és gyártották.



Importőr: **Network One Distribution**

Marcel Iancu utca, 3-5 szám, Bukarest (București), Románia

Tel: +40 21 211 18 56, [www.heinner.com](http://www.heinner.com) , [www.nod.ro](http://www.nod.ro)

# ФРИТЮРНИК С ГОРЕЩ ВЪЗДУХ

Модел:  
SmartFry  
HAF-B6WH1700



- Капацитет: 5.7 Л
- Мощност: 1700 W
- Температура 80-200°C

**HEINNER**



## 1. ВЪВЕДЕНИЕ

Моля прочетете внимателно инструкциите и запазете наръчника за бъдещи справки.

Този наръчник има за цел да Ви предостави всички необходими инструкции по отношение на инсталирането, използването и поддържането на уреда. Преди инсталиране и използване на уреда, с цел правилна и безопасна употреба на уреда, моля прочетете внимателно този наръчник с инструкции.

## 2. СЪДЪРЖАНИЕ НА ВАШИЯ ПАКЕТ

- ➔ Фритюрник с горещ въздух
- ➔ Наръчник за употреба
- ➔ Сертификат за гаранция
- ➔ Декларация за съответствие

## 3. ИНСТРУКЦИИ ЗА БЕЗОПАСНОСТ

### ОБЩИ УКАЗАНИЯ

- Уредът може да се използва от деца на възраст най-малко 8 години и от лица с намалени физически, сетивни или умствени способности, или с липса на достатъчен опит и познания, само ако са под наблюдение или са получили указания във връзка с използването на уреда по безопасен начин и ако разбират опасностите, които могат да възникнат при използване на уреда. Децата нямат право да си играят с уреда. Почистването и поддръжката не трябва да се извършват от деца, освен ако са на възраст най-малко 8 години и са под наблюдение.
- Не оставяйте уреда и хранващия кабел в близост до деца на възраст по-малка от 8 години тогава, когато уредът е включен или се охлажда.
- Не потапяйте корпуса на уреда и неговите нагревателни елементи във вода и не ги изплаквайте под водна струя, тъй като съдържат електрически компоненти.
- За да предотвратите токов удар, не допускате проникването на вода или на други течности в уреда.
- Винаги поставяйте в кошницата съставките, които искате да пригответе, така че да не се допират в нагревателните елементи.
- Не покривайте отворите за влизане или за извеждане на въздух по време на функциониране на уреда.
- Не поставяйте олио в съда за готвене, тъй като това може да причини опасност от пожар.
- Не докосвайте вътрешната част на уреда по време на функциониране.
- Температурите на достъпните повърхности могат да бъдат високи по време на функциониране.
- Преди свързване на уреда към източника за хранване, уверете се, че напрежението, което е посочено върху уреда, съответства на това на мрежата за хранване с електроенергия.
- Не използвайте уреда, ако щепселът, хранващият кабел или уредът са повредени.
- Децата трябва да бъдат наблюдавани, така че да не си играят с уреда.
- Предпазвайте хранващия кабел от горещи повърхности.

- Не включвайте щепсела в източника на захранване и не натискайте бутоните на контролния панел с мокри ръце.
- Свързвайте уреда само към стенен контакт със заземяване; уверявайте се, че щепселът е включен правилно в стенния контакт.
- За да избегнете опасни ситуации, не свързвайте този уред към външен таймер.
- Не поставяйте уреда върху запалими материали (покривки, пердета и др.) или в близост до тях.
- Не поставяйте уреда много близо до стена или други уреди. Оставете свободно място най-малко 10 см от задната страна, горната страна и от двете страни на уреда. Не поставяйте нищо върху уреда.
- Използвайте уреда само за целите, които са посочени в настоящия наръчник.
- Не оставяйте уреда да функционира без наблюдение.
- По време на приготвяне на храни горещата пара се извежда през отвора за извеждане на въздуха. Пазете ръцете и лицето си от изведената пара. Също така, пазете се от парата и горещия въздух тогава, когато изваждате съда за пържене от уреда.
- Достъпните повърхности могат да се нагряват по време на използване на уреда.
- Изключете незабавно уреда от източника на захранване, ако забележите, че излиза тъмен дим от фритюрника. Изчакайте да спре излизането на дим, преди да извадите съда за пържене от уреда.
- Тавата за печене се нагрява, когато се използва във фритюрника. Когато боравите с тавата за печене, използвайте винаги ръкавици.

## Внимание!

- Поставяйте уреда върху хоризонтална, равна и стабилна повърхност.
- Този уред е предназначен само за домашна употреба при нормални условия. Не е проектиран за използване в кухни на персонала на магазини, офиси, ферми или други работни среди. Също така, уредът не е предназначен за използване от клиенти на хотели, мотели, пансиони или други подобни места.
- Ако уредът се използва по несъответстващ начин или за професионални / полупрофесионални цели, както и ако не се използва в съответствие с инструкциите от наръчника за употреба, гаранцията ще се анулира и производителят не носи никаква отговорност за появилите се щети.
- Ако уредът трябва да бъде проверен или ремонтиран, винаги се обръщайте към оторизиран сервизен център. Не се опитвайте да ремонтирате уреда сами, тъй като това ще анулира гаранцията.
- Изключвайте уреда от източника на захранване след всяка употреба.
- Оставете уреда да се охлажда за около 30 минути, преди да боравите с него или да го почистите.
- Уверете се, че приготвените в този уред съставки, получават жълтеникаво-златист цвят, а не тъмен или кафяв. Отстранете изгорелите остатъци. Не приготвяйте пресни картофи при температура над 200°C (за да намалите до минимум производството на акриламид).

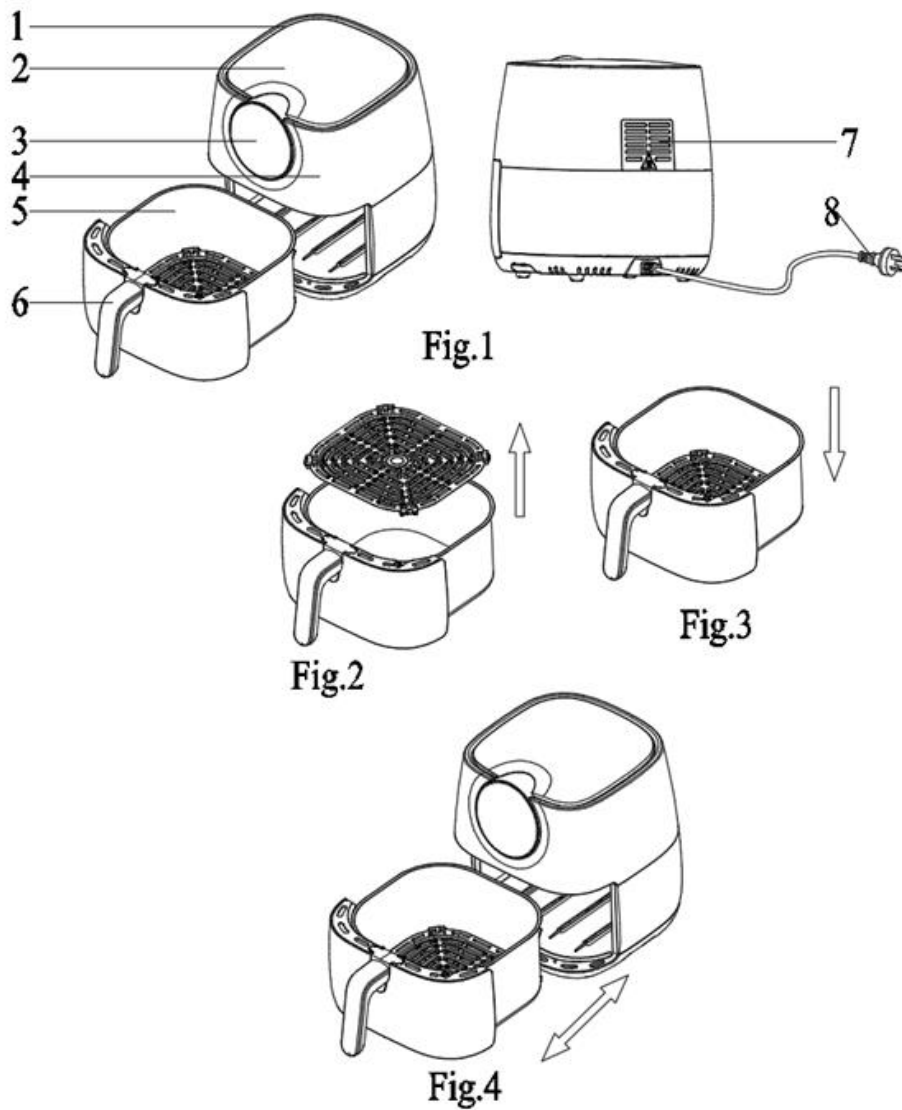
## Преди първата употреба

- Отстранете всички опаковъчни материали.
- Премахнете всички стикери или етикети от уреда.
- Почистете с гореща вода кошницата и съда за готвене, като използвате малко препарат за миене на съдове и неабразивна гъба.

Забележка: Тези компоненти могат да се измиват и в съдомиялна машина.

- Избършете вътрешната и външната част на уреда с влажна кърпа.
- Това е фритюрник, който функционира с горещ въздух. Не поставяйте олио или мазнина в съда за готвене.

## 4. ОПИСАНИЕ НА ПРОДУКТА



1. Вход за въздух
2. Горен капак
3. Контролен панел
4. Жилище
5. Гърне
6. Дръжка на коша
7. Изход за въздух
8. Захранващ кабел

## 5. ИЗПОЛЗВАНЕ НА ПРОДУКТА

1. Включете щепсела в заземен стенен контакт.
2. Извадете внимателно съда за пържене от фритюрника (Фиг. 4).
3. Поставете съставките в кошницата (Fig. 3).

Забележка: Не пълнете кошницата над маркировката „MAX“ и не превишавайте посоченото в таблицата количество, тъй като това може да повлияе на качеството на крайния резултат.

Съвет: Използвайте разделителя, за да разделите съставките, когато искате да пригответе различни съставки едновременно. Поставете разделителя в кошницата и напълнете всяка страна на кошницата с желаните съставки.

Уверете се, че сте проверили времето за готвене и температурата, които са необходими за различните съставки, преди да започнете да ги пригответе едновременно. Например нарязаните на кубчета картофи и шницелите могат да се пригответ едновременно, тъй като изискват същите настройки. Моля, обърнете внимание, че за всяка съставка максималното количество е половината от нормалното количество.

4. Поставете отново съда за пържене във фритюрника (Фиг. 4).

Никога не използвайте съда за пържене без да е поставена кошницата в него.

Внимание: Не докосвайте съда за пържене по време на употреба и известно време след това, защото се нагрива. Хващайте съда за пържене само за дръжката.

5. Използвайте контролния панел, както следва:

6. Някои съставки изискват разбъркване, като се разклаща кошницата, по средата на времето за готвене (вижте информацията в раздел „Настройки“ от настоящата глава). За да разбъркате съставките, извадете съда за пържене от уреда като го хващате за дръжката и разклатете го. Поставете отново съда за пържене във фритюрника.

7. Издаденият звуков сигнал показва, че зададената продължителност за приготвяне е изтекла. Извадете съда за пържене от уреда и поставете го върху стабилна поставка.

8. Проверете дали съставките са приготвени.

Ако съставките не са още приготвени, поставете съда за пържене отново в уреда и настройте таймера, за да пригответе съставките няколко минути допълнително.

9. За да извадите съставките (например пържени картофи), извадете съда за пържене от фритюрника и поставете го върху стабилна поставка, след това натиснете върху бутона за освобождаване на кошницата и извадете кошницата от съда за пържене.

Не обръщайте обратно кошницата, докато е прикрепена към съда за пържене, т.к. излишната мазнина, която се е натрупала на дъното на съда, ще покрие съставките.

Съдът за пържене и съставките са горещи. Фритюрникът е горещ. В зависимост от вида на съставките от фритюрника, от съда за пържене може да излиза пара.

10. Изсипете съдържанието на кошницата в една купа или чиния.

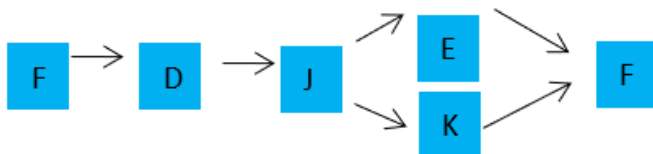
Съвет: За да отделите големите или крехките съставки, изваждайте ги от кошницата с помощта на готварски щипци.

11. След приготвяне на една партида съставки фритюрникът с горещ въздух е готов веднага за приготвяне на друга партида.

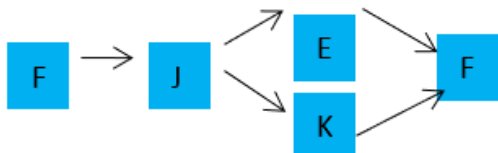


1 – Чипсове 	2- Пържоли 	3- бекон 	4- Пиле 
5- Риба 	6- Скарриди 	7- Печене 	8- Гъба 

### 1. Работа с предварително зададена програма



### 2. Работа с персонализирана програма



Таблицата по-долу ще ви помогне да изберете основните настройки за различни съставки. Тъй като технологията „Rapid Air“ нагрява мигновено въздуха във вътрешността на уреда, краткото дръпване на съда за пържене от фритюрника не засяга значително резултата на готвенето.

## Препоръки

- По принцип, съставките с малки размери изискват по-кратко време за приготвяне, в сравнение с по-големите съставки.
- По-голямото количество съставки изисква по-дълго време за приготвяне, а по-малкото количество съставки изисква по-кратко време за приготвяне.
- Разбъркването на съставките с малки размери по средата на времето за готвене подобрява крайния резултат и може да помогне за предотвратяване на неравномерното приготвяне на съставките.
- При приготвяне на пресни картофи, поставете малко олио в съда за пържене и картофите ще станат по-хрупкави. Поставяйте съставките във фритюрника с горещ въздух няколко минути след наливане на олиото.
- Не приготвяйте съставки с високо съдържание на мазнини (като например наденици) във фритюрника с горещ въздух.
- Закуските, които могат да бъдат приготвени във фурна, могат да бъдат приготвени и във фритюрника с горещ въздух.
- Оптималното количество за приготвяне на хрупкави пържени картофи е 500 грама.
- Използвайте закупено тесто, за да пригответе бързо и лесно закуски с пълнеж. Това тесто изисква по-кратко време за приготвяне в сравнение с домашно приготвеното тесто.
- Поставете съд или форма за печене във фурна в кошницата на фритюрника с горещ въздух, ако желаете да изпечете блатове за торта или питка, или ако желаете да пригответе крехки съставки или закуски с пълнеж.
- Също така, може да използвате фритюрника, за да претоплите съставките. За тази цел настройте температурата на 150°C и включете уреда за най-много 10 минути.

	Минимално - максимално количество (гр.)	Продължителност (мин.)	Температура (°C)	Разбъркване (чрез разклащане на кошницата)	Допълнителна информация
<b>Картофи и картофи на пръчици</b>					
Замразени тънко нарязани картофи	500-600	18-25	200	разбъркайте	
Дебело нарязани замразени картофи	500-600	20-25	200	разбъркайте	
Картофи огретен	600	20-25	200	разбъркайте	
<b>Месо</b>					
Котлет	100-600	12-18	180	Не	
Свински котлети	100-600	12-18	180	Не	
Хамбургер	100-600	10-20	180	Не	
Бюрек/Баничка с месо	100-600	13-15	200	Не	
Пилешки горни бутчета	100-600	25-30	180	Не	
Пилешки гърди	100-600	18-25	180	Не	
<b>Закуски</b>				Не	
Пролетни рулца	100-600	8-10	200		
Замразени пилешки пръчици	100-600	8-12	180		
Замразени рибни крокети	100-500	6-10	200		
Замразен паниран кашкавал	100-500	8-10	180		
Пълнени зеленчуци	100-500	12-20	160		

Печене					
Сладкиши	500	8-15	180		
Питка	500	20-22	180		
Мъфини	500	15-18	200		
Сладки закуски	350	20	160		

## 6. ПОЧИСТВАН

Почиствайте уреда след всяка употреба.

Съдът за приготвяне и решетката за позициониране на храната са снабдени с незалепващо покритие. Не използвайте метални кухненски прибори или абразиви за почистването им, тъй като те могат да повредят незалепващото покритие.

1. Изключете щепсела от източника на захранване и оставете уреда да се охлади.

Забележка: За да охладите фритюрника с горещ въздух по-бързо, извадете кошницата от него.

2. Избършете външната част на уреда с влажна кърпа.

3. Почистете кошницата и решетката за позициониране на храната с гореща вода, като използвате малко препарат за миене на съдове и неабразивна гъба.

За да премахнете останалата мръсотия, можете да използвате обезмаслителна течност.

Забележка: Кошницата и решетката за позициониране на храната са подходящи за миене в съдомиялна машина.

Съвет: Ако мръсотията полепне по кошницата или решетката за позициониране на храната, сложете гореща вода и малко препарат за миене на съдове в кошницата. Поставете решетката за позициониране на храната в кошницата и оставете решетката и кошницата да се накиснат за около 10 минути.

1. Почистете вътрешната част на уреда с гореща вода и неабразивна гъба.

2. Почиствайте нагревателния елемент с четка, за да отстраните остатъците от храни.

### Съхранение

1. Изключете щепсела от източника на захранване и оставете уреда да се охлади.

2. Уверете се, че всички компоненти са чисти и сухи.

3. Избутайте кабела в отделението за съхранение на кабела. Закрепете кабела, като го въведете в слота за закрепване.

### Поръчване на аксесоари

Ако срещнете трудности при набавянето на аксесоари за вашия уред, моля, свържете се с Центъра за обслужване на клиенти във вашата страна. Неговите данни за контакт са налични в гаранционния сертификат.

### Опазване на околната среда

Когато уредът стигне до края на периода за експлоатация, не го изхвърляйте заедно с битовите отпадъци, а транспортирайте го до пункт за събиране на отпадъци с оглед рециклиране. По този начин помагате за опазване на околната среда.

## 7. ОТСТРАНЯВАНЕ НА НЕИЗПРАВНОСТИ

Проблем	Възможна причина	Решение
Фритюрникът с горещ въздух не функционира.	Уредът не е свързан към източника на захранване.	Свържете щепсела към контакт на стената, предвиден със заземяване.
	Необходима е настройка на таймера.	Завъртете бутона за настройка на таймера до желаното време за готвене, за да включите уреда.
Съставките не са достатъчно приготвени	Количеството на съставките в кошницата е твърде голямо.	Поставете по-малки количества съставки в кошницата. По-малките количества се приготвят по-равномерно.
	Зададената температура е твърде ниска.	Завъртете бутона за настройка на температурата до желаната температура (вижте информацията в раздели „Настройки“ и „Използване на уреда“).
	Продължителността на готвене е твърде кратка.	Завъртете бутона за настройка на таймера до необходимото време (вижте информацията в раздели „Настройки“ и „Използване на уреда“).
Съставките са приготвени неравномерно.	Определени видове съставки трябва да се разбъркат, чрез разклащане на кошницата, по средата на времето за готвене.	Съставките, които се намират в горната страна или едни върху други (например картофите на пръчици) трябва да се разбъркат по средата на времето за готвене. Вижте информацията в раздели „Настройки“ и „Използване на уреда“.
Закуските не са хрупкави, когато се извадят от фритюрника.	Използвали сте съставки, предназначени за приготвяне в традиционен фритюрник.	Използвайте закуски, предназначени за печене във фурна, или поставете малко олио върху закуските, за да станат по-хрупкави по време на приготвяне.
Съдът за пържене не може да бъде поставен по съответстващ начин в уреда.	В кошницата има твърде много съставки.	Не пълнете кошницата над знака MAX.
	Кошницата не е поставена правилно в съда за готвене.	Натиснете кошницата в съда за готвене, докато се закрепи на място.
От уреда излиза бял дим.	Пригответе съставки с високо съдържание на мазнини.	Когато пригответе съставки с високо съдържание на мазнини, голямо количество мазнина ще изтече в съда за пържене. Олиото образува бял дим, а съдът за пържене може да се нагрее повече от обикновено. Това не засяга функционирането на уреда или крайния резултат.
	Съдът за пържене съдържа мазнина, която е останала вследствие на предходна употреба.	Белият дим се образува от мазнината, която се нагрее в съда за пържене. Почистете добре съда за пържене след всяка употреба.
Пресните картофи са приготвени/изпържени неравномерно.	Не сте използвали подходящия вид картофи.	Използвайте пресни картофи и уверете се, че не омекват.
	Не сте изплакнали по съответстващ начин картофите на пръчици преди да ги пригответе.	Изплакнете по съответстващ начин картофите на пръчици, за да отстраните нишестето върху тях.
Картофите не са хрупкави, когато се извадят от фритюрника.	Хрупкавата текстура на картофите зависи от количеството олио в съда за пържене и от количеството вода в картофите.	Уверете се, че сте отстранили водата върху картофите, преди да добавите олиото.
		Нарежете картофите на по-дребни парченца, за да бъдат по-хрупкави след приготвяне.
		Добавете малко повече олио, за да станат картофите по-хрупкави.



## СЕРВИЗ И ОБСЛУЖВАНЕ НА КЛИЕНТИ

Използвайте само оригинални резервни части.

Когато се свързвате с нашия оторизиран сервизен център, уверете се, че имате под ръка следната информация: Наименование на модела и сериен номер.

Информацията може да бъде намерена на табелката с технически данни. Те подлежат на промяна без предварително уведомление.

## ТЕХНИЧЕСКИ ДАННИ

Захранващо напрежение	220-240V~50/60Hz
Мощност	1700 W
Капацитет	5.7 Л
Температура	80-200 °C

Благодарим Ви за закупуването на този продукт! Ако се нуждаете от помощ за вашия продукт, посетете нашия уебсайт, като използвате линковете по-долу.

Получете ръководства за употреба: <https://www.heinner.ro>

Получете информация за ремонт: <https://www.heinner.ro>



#### Изхвърляне на отпадъците по начин, отговорен за околната среда

Можете да помогнете за опазването на околната среда!

Моля спазвайте местните разпоредби: Предайте нефункциониращото електрическо оборудване на център за събиране на отпадъци от електрическо оборудване.



#### HEINNER е регистрирана марка на компанията **Network One Distribution SRL**.

Останалите търговски марки и наименованията на продуктите са търговски марки или регистрирани търговски марки на съответните им притежатели.

Нито една част от спецификациите не може да бъде възпроизвеждана под каквато и да е форма или средство, или използвана за получаване на производни като преводи, трансформации или адаптации, без предварителното съгласие на компанията NETWORK ONE DISTRIBUTION.

Copyright © 2013 Network One Distribution. Всички права запазени.

[www.heinner.com](http://www.heinner.com), <http://www.nod.ro>



Този продукт е проектиран и произведен в съответствие със стандартите и нормите на Европейската общност.



#### Вносител: **Network One Distribution**

ул. Марчел Янку № 3-5, Букурещ, Румъния

Тел: +40 21 211 18 56, [www.heinner.com](http://www.heinner.com) , [www.nod.ro](http://www.nod.ro)