

HOT AIR FRYER

Model: OVENFRY COOK
HAFO-M11BK1700



- Capacity: 11L
- Power: 1500-1850 W
- Temperature 40-230 °C

HEINNER

1. INTRODUCTION

Please read the instructions carefully and keep the manual for future information.

This manual is designed to give all necessary instructions concerning installation, use and maintenance of the unit. In order to operate the unit correctly and safely, please read this instruction manual carefully before installation and use.

2. CONTENT OF YOUR PACKAGE

- ➔ **Hot air fryer**
- ➔ **User manual**
- ➔ **Certificate of warranty**
- ➔ **Declaration of conformity**

3. SAFETY INSTRUCTIONS

GENERAL

- To protect against the risk of electric shock, DO NOT immerse power cord, plug, or the appliance in water or other liquid.
- DO NOT rinse the appliance under a faucet or other water source.
- This appliance is NOT to be used by children or by persons with reduced physical, sensory, or mental capabilities. Close supervision is necessary when this appliance is used near children and these individuals. Children should not use or play with this appliance.
- Turn off and unplug when not in use and before cleaning. Allow to cool before putting on or taking off parts or accessories. To turn off, press Cancel. To unplug, grasp the plug and pull from the outlet. Never pull from the power cord.
- Avoid making contact with moving parts.
- Inspect the appliance and power cord regularly. DO NOT operate any appliance with a damaged cord or plug. DO NOT operate after the appliance malfunctions, or is dropped or damaged in any manner.
- DO NOT use any accessories or attachments not authorized by supplier. The use of attachments not recommended by the manufacturer may cause injury, fire or electric shock.
- For household countertop use only. DO NOT use outdoors. Not for commercial use.
- DO NOT place the appliance or any of its parts on any kind of stovetop, near gas or electric burners, or in a heated oven; heat from an external source will damage the appliance.
- DO NOT use appliance for anything other than intended use.
- DO NOT attempt to repair, replace, alter, or modify components of the appliance. This may cause electric shock, fire and/or injury, and will void the warranty.
- DO NOT tamper with any of the safety mechanisms.
- DO NOT leave the appliance unattended while in use.
- DO NOT store any materials, other than the included accessories, in the cooking cavity when not in use.
- DO NOT place any combustible materials in the cooking cavity; such as paper, cardboard, plastic, styrofoam or wood.
- Use extreme caution when moving an appliance containing hot oil or other hot liquids.
- Keep your air fryer away from flammable materials (curtains, tablecloths, etc). Use on a stable and heat-resistant surface away from heat sources or liquids.

- To avoid the risk of fire, property damage and personal injury, DO NOT spray cooking oil into the cooking cavity.
- Do not place any objects on top of air fryer at any time.
- The air fryer's cooking cavity contains electrical components. To avoid electric shock, DO NOT put liquid of any kind into the cooking cavity.
- Proper maintenance is recommended after each use. Refer to CLEANING AND MAINTENANCE.
- Let the appliance cool to room temperature before cleaning or storage.
- Do not clean with metal scouring pads. Pieces can break off the pad and touch electrical parts, creating a risk of electric shock.
- The appliance's outer surfaces may become hot during use. DO NOT touch hot surfaces. Only use the air fryer basket handle to lift and carry the air fryer basket. Wear proper hand protection when handling hot components. Extreme caution must be used when moving the appliance.
- Let the appliance cool to room temperature before handling or moving.
- WARNING: Spilled food can cause serious burns. Keep appliance and cord away from children.
- NEVER drape cord over edge of table or counter or touch hot surfaces, NEVER use power outlet below counter.
- DO NOT overfill the appliance or accessories. Overfilling may cause food to contact the heating element, which may result in fire and/or personal injury.
- DO NOT cover the air inlet, air outlet (upper) or air outlet (lower) while the appliance is in operation. Doing so will prevent even cooking and may cause damage to the appliance.
- An air fryer works with hot air only. NEVER pour or spray oil into the cooking cavity. This could result in fire and/or personal injury.
- While cooking, the internal temperature of the appliance reaches several hundred degrees. To avoid personal injury, NEVER place unprotected hands inside the appliance until it has cooled to room temperature.
- When cooking, DO NOT place the appliance against a wall or against other appliances. Leave at least 5in (13cm) of free space on the back, front, sides, and above the appliance. DO NOT operate the appliance on or near combustible materials such as tablecloths and curtains. DO NOT place anything on top of the appliance.
- Do not put food in the Drip tray.
- The food height of Lower oven cavity is 1 inch from the upper electric heat tube.
- DO NOT dish wash the drip tray.
- When in operation, hot air is released through the air outlets. Keep your hands and face at a safe distance from the vents and take extreme caution when removing the accessories from the appliance.
- Should the unit emit black smoke, press Cancel and unplug the appliance immediately. Wait for smoking to stop before removing the basket and then clean the appliance thoroughly. If the cause was not burnt food, contact our Customer Service Center.
- NEVER connect this appliance to an external timer switch or separate remote-control system.
- Use extreme caution when removing hot baskets from the appliance, or disposing of hot grease.
- Without proper cleaning, food and grease splatter may build up around the heating element. This can cause smoke, fire, and/or personal injury.
- Oversized foods and/or metal foil packages, or utensils must not be inserted into the cooking cavity as they may cause risk of fire and/or personal injury.
- DO NOT use appliance accessories in any other appliance including microwave ovens, toaster ovens, convection or conventional ovens, ceramic, electric, induction or gas cooktops, or outdoor grills.
- Do not place paper, cardboard, non-heat-resistant plastic, or similar materials, into your air fryer. You may use parchment paper or foil.
- Never put baking or parchment paper into the air fryer without food on top. Air circulation can cause paper to lift and touch heating coils.
- Always use heat-safe containers. Be extremely cautious if using containers that aren't metal or glass.
- Do not cover crumb tray or any part of the oven with metal foil. This will cause overheating of the oven

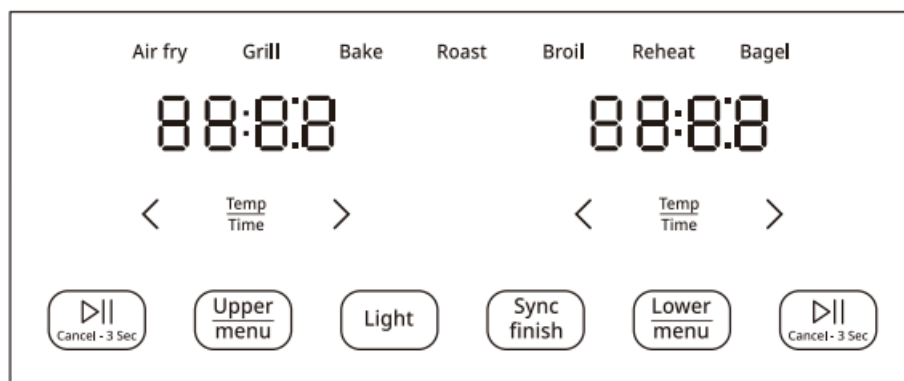
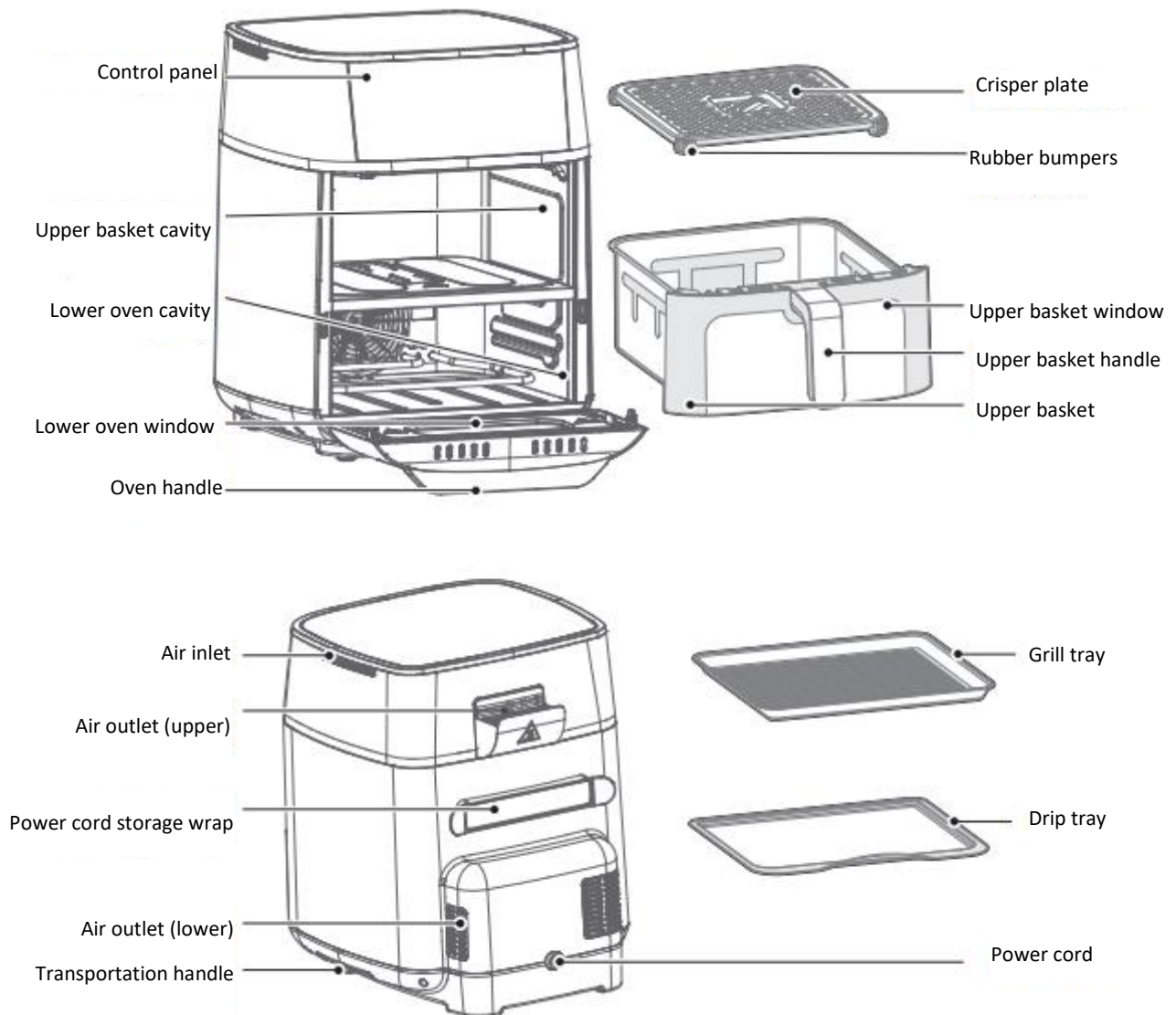
PLUG & CORD

- This appliance has a polarized plug (one blade is wider than the other). To reduce the risk of electric shock, this plug is intended to fit into a polarized outlet only one way. If the plug does not fit fully into the outlet, reverse the plug. If it still does not fit, contact a qualified electrician.
Do not attempt to modify the plug in any way.
- A short power-supply cord is provided to reduce the risk resulting from becoming entangled in or tripping over a longer cord.
- Extension cords are available and may be used if care is exercised in their use.
If an extension cord is used:
 1. The marked electrical rating of the extension cord should be at least as great as the electrical rating of the appliance.
 2. The cord should be arranged so that it will not drape over the countertop or tabletop where it can be pulled on by children or tripped over unintentionally.
 3. Do not share the extension cord with other appliances. DO NOT use the appliance in power outlets other than 220V~240V~ (50/60Hz). DO NOT use with power converters or adapters.
DO NOT let the power cord contact hot surfaces or open flames, including stovetop
- Read this manual carefully and completely and retain for future reference. Failure to adhere to safety instructions may result in serious injury or damage.
- To avoid injury, read and understand the instructions in this user manual before attempting to use this appliance.
- The failure to follow any of the important safeguards and/or the instructions for safe use is a misuse of your appliance that can void your warranty and create the risk of serious injury.
- To disconnect, turn any control to "off", then remove plug from wall outlet.
- This appliance is intended to be used in household only.
- This appliance can be used by children aged from 8 years and above and persons with reduced physical, sensory or mental capabilities or lack of experience and knowledge if they have been given supervision or instruction concerning use of the appliance in a safe way and understand the hazards involved. Cleaning and user maintenance shall not be made by children without supervision.
- The appliances are not intended to be operated by means of an external timer or separate remote-control system.



Caution, hot surface the surfaces are liable to get hot during use.

4. PRODUCT DESCRIPTION



	Name	Description
1	Functions	Any of the 7 functions can be used in the Upper or Lower cavity to cook a large variety of meals. The temperature and time can be adjusted for each function. After touching knob to change the function or select the function
2	Display	The cook time, set temperature, reminder messages, and error messages are shown here.
3	Cavity Selection Button	In the standby state, press the UPPER/LOWER button to select and set the corresponding chamber.
4	Cancel	<ul style="list-style-type: none"> • Press the start/pause button of the corresponding chamber to enter the cooking state. • The menu light selected by the corresponding cavity is long on, other menu lights are off, and the corresponding cavity is pressed. • Corresponding cavity digital tube display time.
5	Upper	After selecting the UPPER chamber, click the UPPER key Ring to select the corresponding menu, select the function light flashing, other menu lights long on. The nixie tube displays the menu temperature, at which point the start/pause key can be pressed in the UPPER chamber. You can also press the TIME/TEMP key to select the adjustment parameters
6	LIGHT	At any time, you can press the LIGHT key to turn on or off the upper and lower chamber furnace lamp. After it is enabled, manually disable it Pull out the blue at any time or open the oven door and the light will turn on, 30 seconds later Automatic shutdown.
7	LOWER	After selecting the LOWER chamber, click LOWER Key cycle to select the corresponding menu, select the function light blinking, other menu lights long On, the nixie tube displays the menu temperature, at this time you can press the start/pause key LOWER When the chamber enters the work, the TIME can be adjusted directly, or you can press TIME/TEMP Press to select adjustment parameters

Message	Description
00:15	While programming, the display will show the set cook time. While cooking, the display will show the remaining cook time.
150 °C	The display shows the set temperature.
turn Food	Some recipes will display the "turn Food" reminder when the food is ready to be turned, flipped, or shook.
End	Cooking is complete and the upper basket or lower tray can be removed.
E1orE2	The upper cavity is not operating properly. Please contact our Customer Service Center.
E5orE6	The lower cavity is not operating properly. Please contact our Service service Center
OPEN	The upper basket was removed, or the lower door is open. Note: No buttons for that cavity can be used while open.
HoLd	While the sync finish function is activated, the cavity with less cook time will show "HoLd" until both cavities have the same remaining cook time.

5. USING THE PRODUCT

- These cooking options give your meals all the rich and crispy flavour of deep frying with little to no oil.
- The default time and temps are a starting point that you can experiment with to get the results you like best.
- The function listed for each food is a recommendation for optimal cooking. Any function can be used in both the upper basket and lower oven cavities.

HINTS

- Always place food evenly on the crisper plate and grill tray for best cooking results.
- Overlapping food may result in uneven cooking performance.
- To increase crispiness, small amounts of oil can be sprayed or brushed onto the food before cooking.
- If the air fryer has been paused for more than 10 minutes, it will return to standby mode and clear all the existing settings.
- For most foods, turning, shaking, or flipping half-way through cooking will achieve the best cooking results.
- Time and Temp can be adjusted at any time during cooking process.

Ingredient	Recommended function	Frozen	Upper Basket Setting				Lower Oven Setting			
			Amount	Cooking Temp	Time (Single)	Time (Dual)	Amount	Cooking Temp	Time (Single)	Time (Dual)
French fries	Air Fry	Yes	1.1 lbs	185 ° C	16 min	24 min	0.6 lbs	200 ° C	21 min	27 min
Chicken Wings	Air Fry	Yes	1.3 lbs	185 ° C	17 min	21 min	0.9 lbs	200 ° C	19 min	22 min
	Air Fry	No	1.3 lbs	185 ° C	14 min	18 min	0.9 lbs	200 ° C	17 min	20 min
Chicken Thighs	Air Fry	Yes	2.4 lbs	180 ° C	36 min	42 min	1.4 lbs	200 ° C	39 min	43 min
	Air Fry	No	2.4 lbs	180 ° C	19 min	23 min	1.4 lbs	200 ° C	20 min	24 min
Dehydrated Apples	Dehydrate	No	1 piece	90 ° C	120 min	150 min	1 piece	90 ° C	120 min	150 min
Beef Burgers	Grill	Yes	1 piece	175 ° C	8 min	11 min	1 piece	175 ° C	8 min	11 min
Bagel	Bagel	No	2 bagel halves	185 ° C	3 min	5 min	2 bagel halves	185 ° C	4 min	6 min
Asparagus	Roast	No	0.88 lbs	180 ° C	10 min	14 min	0.66 lbs	195 ° C	12 min	14 min
Chicken Breasts	Air Fry	Yes	1.1 lbs	180 ° C	37 min	39 min	1.1 lbs	200 ° C	37 min	39 min
	Air Fry	No	1.1 lbs	180 ° C	21 min	22 min	1.1 lbs	200 ° C	21 min	22 min
Toast	Toast	No	4 slices	180 ° C	6 min	10 min	4 slices	200 ° C	6 min	8 min
Breaded Chicken	Air Fry	Yes	2 pieces	185 ° C	13 min	18 min	2 pieces	200 ° C	15 min	20 min
Breaded Fish	Air Fry	Yes	0.6 lbs	185 ° C	13 min	18 min	0.6 lbs	200 ° C	15 min	20 min
Breaded Shrimp	Air Fry	Yes	0.4 lbs	185 ° C	9 min	13 min	0.4 lbs	200 ° C	11 min	15 min
French Toast Sticks	Toast	Yes	0.3 lbs	175 ° C	5-9 min	6-10 min	0.3 lbs	195 ° C	6-10 min	6-10 min
Brussel Sprouts	Air Fry	No	0.9 lbs	190 ° C	9-12 min	16-24 min	0.9 lbs	200 ° C	12-18 min	16-22 min
Chocolate Chip cookies	Bake	No	0.2 lbs	160 ° C	8-13min	9-15 min	0.2 lbs	175 ° C	9-15 min	9-16 min
Pepperoni Pizza	Bake	Yes	9 inch	165 ° C	10 min	17 min	9 inch	170 ° C	13 min	18 min

CAUTION

- To avoid the risk of fire, property damage and personal injury, DO NOT spray cooking oil into the cooking cavity.
 - Do not place any objects on top of air fryer at any time.
- Any other servicing must be performed by an authorized representative

WARNING

- Without proper cleaning, food and grease splatter may build up around the heating element. This can cause smoke, fire, and personal injury.
- If you see or smell smoke, touch Cancel, unplug the appliance, and allow it to cool. Remove food residue or grease with a soft cloth and dish soap.

6. CLEANING

- Clean the basket, crisper plate and grill tray after each use.
- Always unplug the air fryer and let it cool to room temperature before cleaning. Never use harsh chemical detergents, scouring pads, or powders on any of the parts or components.
- Let all surfaces dry thoroughly before use, and before storage.

Part or accessory	Cleaning method
Upper basket	<ul style="list-style-type: none"> • Clean the air fryer basket with a sponge or cloth and warm water and dish soap. then rinse well. Ensure that all grease and food debris are removed. • DO NOT immerse the basket in water or any other liquid. • DO NOT clean in the dishwasher
Grill tray	<ul style="list-style-type: none"> • Clean the grill tray with a cloth or sponge and warm water with dish soap. • The grill tray has non-stick coating. To avoid damage to the non-stick coating, DO NOT use metal cleaning utensils. • DO NOT clean in the dishwasher
Crisper plate	<ul style="list-style-type: none"> • Clean the crisper plate with a cloth or sponge and warm water with dish soap. • The crisper plate has non-stick coating. To avoid damage to the non-stick coating, DO NOT use metal cleaning utensils. • DO NOT clean in the dishwasher
Drip tray	<ul style="list-style-type: none"> • Clean the drip tray with a cloth or sponge and warm water with dish soap. • The drip tray has non-stick coating. To avoid damage to the non-stick coating, DO NOT use metal cleaning utensils. • DO NOT clean in the dishwasher.
Upper basket cavity/ Lower oven cavity	<ul style="list-style-type: none"> • Clean the cooking cavity with a sponge or soft cloth and warm water and dish soap. • To remove baked-on grease and food residue from cooking cavity, spray with a mixture of baking soda and vinegar and wipe clean with a damp cloth. • For stubborn residue, allow the mixture to sit on the affected area for several minutes before scrubbing clean. • Check the heating element for oil spatter and food debris. Clean the heating element with a damp cloth as needed. Ensure the heating element is completely dry before next use. • DO NOT clean in the dishwasher.
Exterior	<ul style="list-style-type: none"> • Clean with a soft and damp cloth or sponge and wipe dry.
Upper basket window/ Lower oven window	<ul style="list-style-type: none"> • Clean the internal and external side of the windows with a cloth or sponge and warm water with dish soap. DO NOT use metal cleaning utensils

WARNING

- Without proper cleaning, food and grease splatter may build up around the heating element. This can cause smoke, fire, and personal injury.
- If you see or smell smoke, touch Cancel, unplug the appliance, and allow it to cool. Remove food residue or grease with a soft cloth and dish soap.

7. TROUBLESHOOTING

Operation of your appliance can lead to errors and malfunctions. The following tables contain possible causes and notes for resolving an error message or malfunction. It is recommended to read the tables carefully below in order to save your time and money that may cost for calling to the service center.

Problem	Cause	Solution
Food is Overcooked/Burnt	Cooking Temperature is set too high.	Check cooking temperature and adjust the temperature accordingly
	Cooking time is too long	Check cooking temperature and adjust the temperature accordingly.
Food is undercooked	Cooking Temperature is set too low.	Check cooking temperature and adjust the temperature accordingly
	Cooking time is too short.	Check cooking temperature and adjust the temperature accordingly
	The Fryer Drawer has been overfilled.	Ensure that the Fryer Drawer is not filled to the brim leave a 3-4cm area free for the air to circulate
	The Trivet has not been fitted to the base of the Fryer Drawer reducing air flow.	Ensure the Trivet is inserted in the base of the Fryer Drawer.
Unit does not power up	No power to the Air Fryer.	Check that the mains plug is inserted into the socket and the socket is switched on (if applicable)
	The Fryer Drawer is not inserted or not pushed fully home	Ensure the Fryer Drawer is inserted and pushed fully home.
	The fuse has blown in the mains plug	Check by substituting with another fuse of same rating
Burning smell from unit	Food trapped under Trivet.	Ensure Fryer Drawer and Trivet are clean.
	Previous food remains on Fryer Drawer /Trivet.	

CUSTOMER CARE AND SERVICE

Always use original spare parts.

When contacting our Authorised Service Centre, ensure that you have the following data available: Model and Serial Number.

The information can be found on the rating plate. Subject to change without notice.

TECHNICAL DATA

Voltage	220-240V~50/60Hz
Power	1500-1850 W
Capacity	11L
Temperature	40-230C

Thank you for purchasing this product. If you need support with your product, visit our website using the links below.

Get User manuals: <https://www.heinner.ro>

Get Service information: <https://www.heinner.ro>



Environment friendly disposal

You can help protect the environment!

Please remember to respect the local regulations: hand in the non-working electrical equipment's to an appropriate waste disposal center.



HEINNER is a registered trademark of **Network One Distribution SRL**. Other brands and product names are trademarks or registered trademarks of their respective holders.

No part of the specifications may be reproduced in any form or by any means or used to make any derivative such as translation, transformation, or adaptation without permission from NETWORK ONE DISTRIBUTION.

Copyright © 2013 Network One Distribution. All rights reserved.

www.heinner.com, <http://www.nod.ro>



This product is in conformity with norms and standards of European Community.



Importer: **Network One Distribution**

Marcel Iancu Street, 3-5, Bucharest, Romania

Tel: +40 21 211 18 56, www.heinner.com , www.nod.ro

FRITEUZĂ CU AER CALD

Model: OVENFRY COOK
HAFO-M11BK1700



- Capacitate: 11 L
- Putere: 1500-1850 W
- Temperatură 40-230 °C

HEINNER

1. INTRODUCERE

Vă rugăm să citiți instrucțiunile cu atenție și să păstrați manualul pentru consultări ulterioare.

Acest manual are scopul de a vă oferi toate instrucțiunile necesare cu privire la instalarea, utilizarea și întreținerea aparatului. Pentru utilizarea corectă și în siguranță a aparatului, vă rugăm să citiți cu atenție acest manual de instrucțiuni înainte de instalare și utilizare.

2. CONȚINUTUL PACHETULUI DUMNEAVOASTRĂ

- ➔ **Friteuză cu aer cald**
- ➔ **Manual de utilizare**
- ➔ **Certificat de garanție**
- ➔ **Declarație de conformitate**

3. INSTRUCȚIUNI PRIVIND SIGURANȚA

GENERALITĂȚI

- Pentru a vă proteja împotriva riscului de electrocutare, NU introduceți în apă sau în alte lichide cablul de alimentare, ștecărul sau aparatul.
- NU clătiți aparatul sub un robinet sau altă sursă de apă.
- Aparatul NU este destinat utilizării de către copii sau persoane care au capacități fizice, senzoriale sau mentale reduse. Este necesară o supraveghere atentă atunci când acest aparat este utilizat în apropierea copiilor și a acestor persoane. Nu permiteți copiilor să utilizeze aparatul sau să se joace cu acesta.
- Opriți aparatul și deconectați ștecărul de la sursa de alimentare atunci când nu utilizați aparatul și înainte de curățare. Lăsați aparatul să se răcească înainte de a monta sau demonta piese sau accesorii ale acestuia. Pentru a opri aparatul apăsați pe butonul „Cancel”. Pentru deconectarea aparatului de la sursa de alimentare, țineți de ștecăr și scoateți-l din priză. Nu trageți niciodată de cablul de alimentare.
- Evitați atingerea componentelor aflate în mișcare.
- Verificați periodic aparatul și cablul de alimentare. NU utilizați aparate care prezintă deteriorări la nivelul cablului sau al ștecărului. NU utilizați aparatul în cazul apariției unei defecțiuni, dacă aparatul a căzut sau a fost deteriorat în orice mod.
- NU utilizați accesorii sau componente auxiliare care nu sunt autorizate de către furnizor. Utilizarea accesoriilor nerecomandate de către producător poate provoca răniri, incendii sau șocuri electrice.
- Acest aparat este destinat numai uzului casnic, pe un blat de bucătărie. NU utilizați aparatul în aer liber. Acest aparat nu este destinat utilizării comerciale.
- NU puneți aparatul sau oricare dintre componentele acestuia pe niciun fel de plită, în apropierea arzătoarelor cu gaz sau electrice sau într-un cuptor încălzit; căldura provenită dintr-o sursă externă va deteriora aparatul.
- NU utilizați aparatul în alt scop decât cel pentru care a fost proiectat.
- NU încercați să reparați, să înlocuiți, să schimbați sau să modificați componentele aparatului. Acest lucru poate provoca șocuri electrice, incendii și/sau răniri și va anula garanția.
- NU modificați niciunul dintre mecanismele de siguranță.
- NU lăsați aparatul nesupravegheat atunci când este în funcțiune.
- Atunci când aparatul nu este în funcțiune, NU depozitați în acesta alte materiale în afara accesoriilor incluse.
- NU puneți în cuva aparatului materiale combustibile, cum ar fi hârtie, carton, plastic, polistiren sau lemn.

- Este necesar să acționați cu prudență deosebită atunci când transportați un aparat care conține ulei încins sau alte lichide fierbinți.
- Asigurați-vă că friteuza cu aer cald nu este în apropierea materialelor inflamabile (perdele, fețe de masă etc.). Utilizați aparatul pe o suprafață stabilă și termorezistentă, ferită de surse de căldură sau lichide.
- Pentru a evita riscul de producere a unui incendiu, daunele materiale și vătămările corporale, NU pulverizați ulei de gătit în cuva de preparare.
- Nu așezați în niciun caz niciun obiect deasupra friteuzei cu aer cald.
- Cuva de preparare a friteuzei cu aer cald conține componente electrice. Pentru a evita șocurile electrice, NU puneți niciun fel de lichid în cuva de preparare.
- Se recomandă efectuarea unor operații de întreținere corespunzătoare după fiecare utilizare. Consultați secțiunea „CURĂȚARE ȘI ÎNTREȚINERE”.
- Lăsați aparatul să se răcească la temperatura camerei înainte de a-l curăța sau depozita.
- Nu curățați produsul cu ajutorul bureților de sârmă. Din bureții de sârmă se pot desprinde bucăți care pot atinge componentele electrice, generând astfel pericol de șoc electric.
- Suprafețele exterioare ale aparatului se pot încinge în timpul utilizării. NU atingeți suprafețele fierbinți. Utilizați numai mânerul coșului friteuzei cu aer cald pentru a ridica și transporta coșul friteuzei cu aer cald. Purtați mănuși de protecție corespunzătoare în timpul manevrării componentelor fierbinți. Acționați cu prudență deosebită atunci când deplasați aparatul.
- Lăsați aparatul să se răcească la temperatura camerei înainte de a-l manevra sau deplasa.
- AVERTISMENT: Alimentele vărsate pot provoca arsuri grave. Nu lăsați aparatul și cablul de alimentare la îndemâna copiilor.
- NU lăsați în niciun caz cablul să atârne peste marginea mesei sau a blatului de bucătărie sau să atingă suprafețe fierbinți și NU utilizați în niciun caz o priză electrică situată sub blat.
- NU umpleți excesiv aparatul sau accesoriile acestuia. Umplerea excesivă a aparatului poate face ca alimentele să intre în contact cu elementul de încălzire, ceea ce poate provoca incendii și/sau vătămări corporale.
- NU acoperiți orificiul de admisie a aerului, orificiul de evacuare a aerului (superior) sau orificiul de evacuare a aerului (inferior) în timpul funcționării aparatului. În caz contrar, prepararea nu va fi uniformă și există riscul de deteriorare a aparatului.
- O friteuză cu aer cald prepară alimentele numai cu ajutorul aerului cald. NU turnați și nu pulverizați în niciun caz ulei în cuva de preparare. Acest lucru ar putea provoca incendii și/sau vătămări corporale.
- În timpul preparării, temperatura din interiorul aparatului atinge câteva sute de grade. Pentru a evita vătămările corporale, nu introduceți ÎN NICIUN CAZ mâinile neprotejate în interiorul aparatului înainte ca acesta să se răcească la temperatura camerei.
- În timpul preparării, NU așezați aparatul lângă un perete sau lângă alte aparate. Lăsați un spațiu de cel puțin 13 cm în spatele, în fața, în lateralele și deasupra aparatului. NU utilizați aparatul pe materiale inflamabile (fețe de masă, perdele etc.) sau în apropierea acestora. NU puneți nimic deasupra aparatului.
- Nu puneți alimente în tava de scurgere.
- Partea superioară a alimentelor din cuva inferioară trebuie să fie la o distanță de 2,5 cm față de elementul de încălzire superior.
- NU spălați tava de scurgere în mașina de spălat vase.
- În timpul funcționării aparatului, aerul fierbinte iese prin orificiile de evacuare a aerului. Țineți-vă mâinile și fața la o distanță sigură de orificiile de evacuare a aerului și acționați cu prudență deosebită atunci când scoateți accesoriile din aparat.
- În cazul în care aparatul emite fum negru, apăsați pe butonul „Anulare” și deconectați imediat aparatul de la sursa de alimentare. Așteptați până când nu mai iese fum înainte de a scoate coșul, apoi curățați bine aparatul. Dacă fumul nu a provenit de la alimentele arse, contactați serviciul de asistență pentru clienți.
- Aparatul NU este destinat utilizării prin intermediul unui temporizator extern sau printr-un sistem de comandă de la distanță.
- Acționați cu prudență deosebită atunci când scoateți coșurile fierbinți din aparat sau când îndepărtați grăsimea fierbinte.

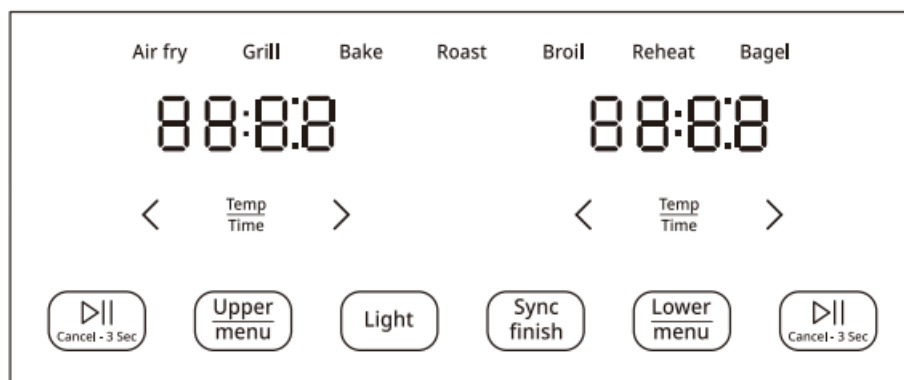
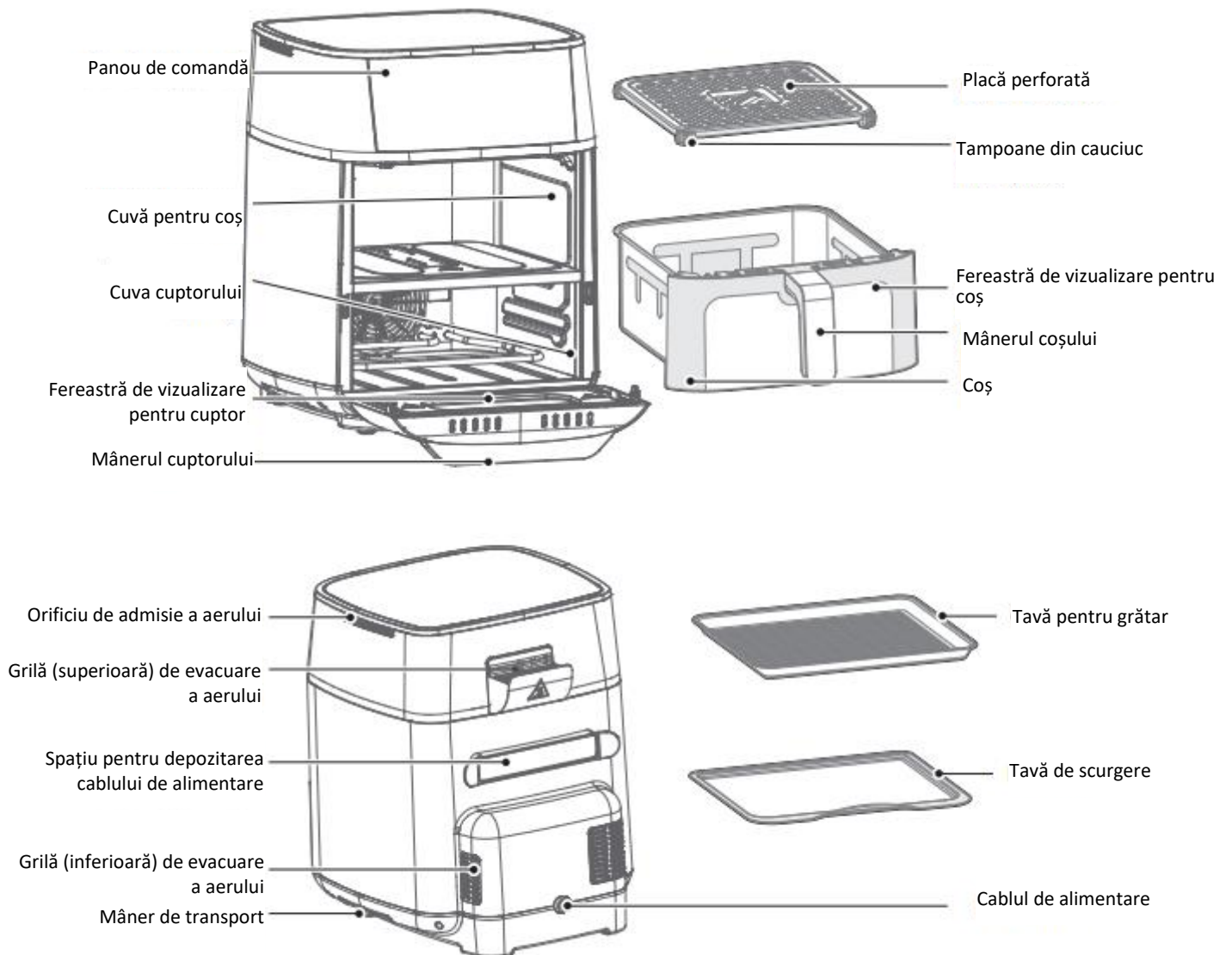
- În lipsa unei curățări corespunzătoare, se pot acumula stropi de mâncare și grăsime în jurul elementului de încălzire. Acest lucru poate provoca fum, incendii și/sau vătămări corporale.
- Produsele alimentare supradimensionate și/sau ambalajele din folie metalică sau ustensilele nu trebuie introduse în cuva de preparare, deoarece pot provoca incendii și/sau vătămări corporale.
- NU utilizați accesoriile aparatului în niciun alt aparat, în cuptoare cu microunde, prăjitoare de pâine, cuptoare cu convecție sau convenționale, aragaze electrice, cu inducție sau cu gaz sau grătare în aer liber.
- Nu introduceți hârtie, carton, plastic nerezistent la căldură sau materiale similare în friteuza cu aer cald. Puteți utiliza hârtie de copt sau folie de aluminiu.
- Nu puneți în niciun caz hârtie de copt în friteuza cu aer cald fără a pune și alimente pe hârtia de copt. Circulația aerului poate face ca hârtia să se ridice și să atingă elementele de încălzire.
- Utilizați întotdeauna recipiente termorezistente. Acționați cu prudență deosebită dacă utilizați recipiente care nu sunt fabricate din metal sau sticlă.
- Nu acoperiți cu foile metalică tava pentru firimituri sau orice altă componentă a cuptorului. Acest lucru va duce la supraîncălzirea cuptorului.

ȘTECĂRUL ȘI CABLUL

- Acest aparat este prevăzut cu un ștecăr polarizat (o fișă este mai lată decât cealaltă). Pentru reducerea riscului de electrocutare, acest ștecăr poate fi introdus într-o priză polarizată într-o singură poziție. Dacă ștecărul nu intră complet în priză, întoarceți-l. Dacă tot nu intră, contactați un electrician calificat. Nu încercați să modificați ștecărul.
- Cablul de alimentare al aparatului este scurt, pentru a se reduce riscurile ce pot apărea în cazul în care vă împiedicați de acesta sau se încurcă.
- Utilizarea prelungitoarelor nu este interzisă atunci acestea i se acordă atenția cuvenită. În cazul în care se utilizează un prelungitor:
 1. Caracteristicile electrice inscripționate pe cablul prelungitor trebuie să fie cel puțin identice cu cele ale aparatului.
 2. Cablul lung trebuie dispus astfel încât să nu treacă peste blatul mesei, pentru a nu putea fi tras de copii și pentru a nu vă împiedica de acesta.
 3. Nu utilizați același prelungitor pentru alte aparate. NU utilizați aparatul în alte prize de curent decât cele de 220V~240V~ (50/60Hz). NU utilizați aparatul împreună cu convertoare de putere sau adaptoare de alimentare.
 NU lăsați cablul de alimentare să intre în contact cu suprafețe fierbinți sau surse de flacără deschisă (de exemplu, cu plita).
- Citiți acest manual cu atenție și în întregime și păstrați-l pentru consultări ulterioare. Nerespectarea instrucțiunilor de siguranță poate duce la vătămări sau daune grave.
- Pentru a evita rănirea, citiți și asigurați-vă că înțelegeți instrucțiunile din prezentul manual de utilizare înainte de a încerca să utilizați acest aparat.
- Nerespectarea oricăreia dintre măsurile de siguranță importante și/sau a instrucțiunilor de utilizare în condiții de siguranță constituie o utilizare necorespunzătoare a aparatului dumneavoastră, care poate anula garanția și poate genera pericol de rănire gravă.
- Pentru deconectarea de la sursa de alimentare, rotiți butoanele de comandă la poziția „Oprit” și scoateți ștecărul din priză.
- Acest aparat este destinat numai uzului casnic.
- Aparatul poate fi utilizat de către copii cu vârste începând de la 8 ani și de către persoane cu capacități fizice, senzoriale sau mentale reduse, cu lipsă de experiență sau cunoștințe, numai dacă acestea sunt supravegheate sau instruite în ceea ce privește utilizarea în siguranță a aparatului și dacă înțeleg pericolele pe care le implică utilizarea. Curățarea și întreținerea nu trebuie efectuate de către copii nesupravegheați.
- Aparatele nu sunt destinate utilizării prin intermediul unui temporizator extern sau printr-un sistem de comandă de la distanță.

 **Atenție! Suprafețe fierbinți!** În timpul utilizării, suprafețele aparatului pot deveni fierbinți.

4. DESCRIEREA PRODUSULUI



	Denumire	Descriere
1	Funcții	Oricare dintre cele 7 funcții poate fi utilizată în cuva superioară sau cea inferioară pentru a găti o mare varietate de preparate. Temperatura și durata pot fi reglate pentru fiecare funcție. Butonul poate fi apăsat pentru selectarea sau schimbarea funcțiilor.
2	Afișajul	Durata de preparare, temperatura setată, mesajele de atenționare și mesajele de eroare sunt afișate aici.
3	Butonul de selectare a cuvei	Cu aparatul în standby, pe butonul UPPER/LOWER (SUPERIOR/INFERIOR) pentru a selecta și seta compartimentul corespunzător.
4	Anulare	<ul style="list-style-type: none"> • Apăsați pe butonul de pornire/oprire al compartimentului corespunzător pentru a activa funcția de preparare. • Indicatorul luminos al meniului selectat pentru cuva corespunzătoare se aprinde, iar celelalte indicatoare luminoase aferente meniurilor sunt stinse. • Afișajul care corespunde cuvei respective indică durata.
5	UPPER (SUPERIOR)	După selectarea compartimentului SUPERIOR, apăsați pe butonul UPPER pentru a selecta meniul corespunzător. Indicatorul luminos al funcției selectate clipește, iar celelalte indicatoare luminoase aferente meniurilor sunt aprinse. Afișajul indică temperatura meniului, moment în care puteți apăsa butonul de start/pauză aferent compartimentului SUPERIOR. De asemenea, puteți apăsa pe butonul TIME/TEMP pentru a selecta parametrii de reglare.
6	LIGHT (LUMINĂ)	În orice moment, puteți apăsa pe butonul LIGHT pentru a aprinde sau stinge lampa din compartimentul superior și din cel inferior. După activare, puteți opri lampa manual prin scoaterea coșului sau deschiderea ușii cuptorului. După 30 de secunde, lampa se oprește automat.
7	LOWER (INFERIOR)	După selectarea compartimentului INFERIOR, apăsați pe butonul LOWER pentru a selecta meniul corespunzător. Indicatorul luminos al funcției selectate clipește, iar celelalte indicatoare luminoase aferente meniurilor sunt aprinse. Afișajul indică temperatura meniului, moment în care puteți apăsa butonul de start/pauză aferent compartimentului INFERIOR. Când compartimentul intră în funcțiune, DURATA poate reglata direct sau puteți apăsa pe butonul TIME/TEMP Apăsați pentru a selecta parametrii de reglare.

Mesaj	Descriere
00:15	În timpul programării, afișajul va indica durata de preparare setată. În timpul preparării, afișajul va indica durata de preparare rămasă.
150 °C	Afișajul indică temperatura setată.
Turn Food	În cazul anumitor programe de preparare, ecranul va afișa memento-ul „Turn Food” (Întoarceți alimentele) atunci când este necesar ca alimentele să fie întoarse, răsturnate sau agitate.
End	Prepararea a fost finalizată și puteți scoate coșul superior sau tava inferioară.
E1orE2	Cuva superioară nu funcționează corespunzător. Vă rugăm să contactați serviciul de asistență pentru clienți.
E5orE6	Cuva inferioară nu funcționează corespunzător. Vă rugăm să contactați serviciul de asistență pentru clienți.
OPEN	Coșul cuvei superioare a fost îndepărtat sau ușa cuvei inferioare este deschisă. Notă: Atunci când una dintre cuve este deschisă, butoanele aferente acelei cuve nu pot fi utilizate.
Hold	În timp ce funcția de sincronizare a finalizării preparării este activă, afișajul aferent cuvei cu durata de preparare mai scurtă va indica „HoLd” până în momentul în care ambele cuve au aceeași durată de preparare rămasă.

5. UTILIZAREA PRODUSULUI

- Aceste opțiuni de preparare oferă mâncărilor dumneavoastră întreaga savoare și textura crocantă ale prăjirii, cu foarte puțin ulei sau chiar fără.
- Duratele și temperaturile implicate reprezintă un punct de plecare cu care puteți experimenta pentru a obține rezultatele preferate.
- Funcția indicată pentru fiecare aliment constituie o recomandare pentru prepararea optimă. Oricare dintre funcții poate fi utilizată atât în coșul cuvei superioare, cât și în cuva inferioară.

RECOMANDĂRI

- Așezați întotdeauna alimentele uniform pe placa perforată și pe tava pentru grătar, pentru a obține cele mai bune rezultate ale preparării.
- Suprapunerea alimentelor poate duce la prepararea neuniformă a acestora.
- Pentru ca alimentele să fie mai crocante, pe acestea se poate pulveriza puțin înainte de a le prepara.
- Dacă friteuza cu aer cald a fost oprită mai mult de 10 minute, aceasta va reveni la standby și va șterge toate setările existente.
- Pentru cele mai multe alimente, întoarcerea, agitarea sau răsturnarea la jumătatea duratei de preparare va duce la obținerea celor mai bune rezultate.
- Durata și temperatura pot fi reglate în orice moment în timpul procesului de preparare.

Ingredient	Funcție recomandată	Congelat	Setare compartiment superior (coș)				Setare compartiment inferior (cuptor)			
			Cantitate	Temp. de preparare	Durăță de compartiment (1)	Durăță de compartimente (2)	Cantitate	Temp. de preparare	Durăță de compartiment (1)	Durăță de compartimente (2)
Cartofi prăjiți	Air Fry	Da	500 g	185 ° C	16 min.	24 min.	300 g	200 ° C	21 min.	27 min.
Aripioare de pui	Air Fry	Da	600 g	185 ° C	17 min.	21 min.	400 g	200 ° C	19 min.	22 min.
	Air Fry	Nu	600 g	185 ° C	14 min.	18 min.	400 g	200 ° C	17 min.	20 min.
Pulpe de pui	Air Fry	Da	1000 g	180 ° C	36 min.	42 min.	600 g	200 ° C	39 min.	43 min.
	Air Fry	Nu	1000 g	180 ° C	19 min.	23 min.	600 g	200 ° C	20 min.	24 min.
Mere deshidratate	Dehydrate	Nu	1 buc.	90 ° C	120 min.	150 min.	1 buc.	90 ° C	120 min.	150 min.
Burgeri din carne de vită	Grill	Da	1 buc.	175 ° C	8 min.	11 min.	1 buc.	175 ° C	8 min.	11 min.
Bagel	Bagel	Nu	2 jumătăți de covrig	185 ° C	3 min.	5 min.	2 jumătăți de covrig	185 ° C	4 min.	6 min.
Sparanghel	Roast	Nu	400 g	180 ° C	10 min.	14 min.	300 g	195 ° C	12 min.	14 min.
Piept de pui	Air Fry	Da	500 g	180 ° C	37 min.	39 min.	500 g	200 ° C	37 min.	39 min.
	Air Fry	Nu	500 g	180 ° C	21 min.	22 min.	500 g	200 ° C	21 min.	22 min.
Toast	Toast	Nu	4 felii	180 ° C	6 min.	10 min.	4 felii	200 ° C	6 min.	8 min.
Pui pane	Air Fry	Da	2 buc.	185 ° C	13 min.	18 min.	2 buc.	200 ° C	15 min.	20 min.
Pește pane	Air Fry	Da	300 g	185 ° C	13 min.	18 min.	300 g	200 ° C	15 min.	20 min.
Creveți pane	Air Fry	Da	200 g	185 ° C	9 min.	13 min.	200 g	200 ° C	11 min.	15 min.
Batoane de pâine prăjită	Toast	Da	130 g	175 ° C	5-9 min.	6-10 min.	130 g	195 ° C	6-10 min.	6-10 min.
Varză de Bruxelles	Air Fry	Nu	400 g	190 ° C	9-12 min.	16-24 min.	400 g	200 ° C	12-18 min.	16-22 min.
Fursecuri cu fulgi de ciocolată	Bake	Nu	90 g	160 ° C	8-13 min.	9-15 min.	90 g	175 ° C	9-15 min.	9-16 min.
Pizza cu pepperoni	Bake	Da	23 cm	165 ° C	10 min.	17 min.	23 cm	170 ° C	13 min.	18 min.

ATENȚIE

- Pentru a evita riscul de producere a unui incendiu, daunele materiale și vătămarile corporale, NU pulverizați ulei de gătit în cuva de preparare.
 - Nu așezați în niciun caz niciun obiect deasupra friteuzei cu aer cald.
- Orice intervenții pentru repararea aparatului trebuie realizate de către un reprezentat de service autorizat.

AVERTISMENT

- În lipsa unei curățări corespunzătoare, se pot acumula stropi de mâncare și grăsime în jurul elementului de încălzire. Acest lucru poate provoca fum, incendii și vătămări corporale.
- Dacă observați sau mirosiți fum, atingeți butonul „Cancel”, deconectați aparatul de la sursa de alimentare și lăsați-l să se răcească. Îndepărtați resturile de alimente și grăsimea cu o cârpă moale și detergent de vase.

6. CURĂȚAREA

Curățați coșul, placa perforată și tava pentru grătar după fiecare utilizare.

- Deconectați de fiecare dată ștecărul friteuzei cu aer cald de la sursa de alimentare și lăsați aparatul să se răcească la temperatura camerei înainte de a-l curăța. Nu utilizați în niciun caz detergenți puternici, bureți de sârmă sau pulberi de curățare pe niciuna dintre componente.
- Lăsați toate suprafețele să se usuce bine înainte de utilizarea sau depozitarea produsului

Componentă sau accesoriu	Metodă de curățare
Coșul superior	<ul style="list-style-type: none"> • Curățați coșul friteuzei cu un burete sau o lavetă și apă caldă cu detergent de vase, apoi clătiți-l bine. Asigurați-vă că toate resturile de grăsime și de alimente sunt îndepărtate. • NU introduceți coșul în apă sau în alte lichide. • NU curățați în mașina de spălat vase.
Tava pentru grătar	<ul style="list-style-type: none"> • Curățați tava pentru grătar cu o lavetă sau un burete și apă caldă cu detergent de vase. • Tava pentru grătar este prevăzută cu un înveliș neaderent. Pentru a evita deteriorarea învelișului neaderent, NU utilizați ustensile de curățare din metal. • NU curățați în mașina de spălat vase.
Placa perforată	<ul style="list-style-type: none"> • Curățați placa perforată cu o lavetă sau un burete și apă caldă cu detergent de vase. • Placă perforată este prevăzută cu un înveliș neaderent. Pentru a evita deteriorarea învelișului neaderent, NU utilizați ustensile de curățare din metal. • NU curățați în mașina de spălat vase.
Tava de scurgere	<ul style="list-style-type: none"> • Curățați tava de scurgere cu o lavetă sau un burete și apă caldă cu detergent de vase. • Tava de scurgere este prevăzută cu un înveliș neaderent. Pentru a evita deteriorarea învelișului neaderent, NU utilizați ustensile de curățare din metal. • NU curățați în mașina de spălat vase.
Cuva superioară/cuva inferioară	<ul style="list-style-type: none"> • Curățați cuva de preparare cu o lavetă sau un burete și apă caldă cu detergent de vase. • Pentru a îndepărta grăsimea și resturile de alimente de pe cuva de preparare, pulverizați în aceasta un amestec de bicarbonat de sodiu și oțet și ștergeți-o cu o cârpă umedă. • În cazul murdăriei persistente, lăsați amestecul să acționeze pe zona afectată timp de câteva minute înainte de a îndepărta murdăria prin frecare. • Verificați elementul de încălzire pentru a vă asigura că pe acesta nu sunt stropi de ulei și resturi de alimente. Dacă este necesar, curățați elementul de încălzire cu o lavetă umedă. Asigurați-vă că elementul de încălzire este complet uscat înainte de următoarea utilizare a aparatului. • NU curățați în mașina de spălat vase.
Exteriorul	<ul style="list-style-type: none"> • Curățați exteriorul cu o lavetă moale și umedă, apoi ștergeți-l.
Fereastră de vizualizare pentru coș/ Fereastră de vizualizare pentru cuptor	<ul style="list-style-type: none"> • Curățați partea interioară și exterioară a ferestrelor de vizualizare cu o lavetă sau un burete și apă caldă cu detergent de vase. NU utilizați ustensile de curățare din metal.

AVERTISMENT

• În lipsa unei curățări corespunzătoare, se pot acumula stropi de mâncare și grăsime în jurul elementului de încălzire.

Acest lucru poate provoca fum, incendii și vătămări corporale.

• Dacă observați sau mirosiți fum, atingeți butonul „Cancel”, deconectați aparatul de la sursa de alimentare și lăsați-l să se răcească. Îndepărtați resturile de alimente și grăsimea cu o cârpă moale și detergent de vase.

7. DEPANARE

Este posibil ca, în timpul utilizării aparatului dumneavoastră, să apară erori și defecțiuni. Tabelul de mai jos conține cauze și soluții posibile pentru rezolvarea erorilor sau remedierea defecțiunilor. Se recomandă citirea cu atenție a informațiilor din tabelul de mai jos, pentru a putea economisi timpul și banii care ar putea fi necesari în cazul în care apelați la un centru de reparații.

Problemă	Cauză	Soluție
Alimentele sunt găsite prea mult/arșe	Temperatura de preparare prea ridicată.	Verificați temperatura de preparare și reglați temperatura în mod corespunzător.
	Durata de preparare este prea lungă.	Verificați temperatura de preparare și reglați temperatura în mod corespunzător.
Alimentele sunt găsite insuficient	Temperatura de preparare prea scăzută.	Verificați temperatura de preparare și reglați temperatura în mod corespunzător.
	Durata de preparare este prea scurtă.	Verificați temperatura de preparare și reglați temperatura în mod corespunzător.
	Sertarul friteuzei a fost umplut excesiv.	Asigurați-vă că sertarul friteuzei nu este umplut până la margine; lăsați un spațiu de 3-4 cm, pentru ca aerul să circule.
	Suportul nu a fost montat la baza sertarului friteuzei, fiind astfel împiedicată circulația aerului.	Asigurați-vă că suportul este montat la baza sertarului friteuzei.
Aparatul nu pornește	Friteuza cu aer cald nu este alimentată cu energie electrică.	Asigurați-vă că ștecărul este introdus corespunzător în priză și că priza funcționează.
	Sertarul friteuzei nu este introdus sau nu este împins complet în aparat.	Asigurați-vă că sertarul friteuzei este introdus și împins până la capăt.
	A sărit siguranța.	Verificați siguranța prin înlocuirea acesteia cu una nouă, cu aceleași caracteristici.
Miros de ars provenit de la aparat	Alimentele sunt prinse sub suport.	Asigurați-vă că sertarul friteuzei și suportul sunt curate.
	Au rămas resturi de alimente pe sertarul friteuzei/pe suport.	

SERVICE ȘI ASISTENȚĂ PENTRU CLIEȚI

Utilizați numai piese de schimb originale.

Când contactați centrul nostru de service autorizat, asigurați-vă că aveți la îndemână următoarele informații: Denumirea modelului și numărul de serie.

Informațiile pot fi găsite pe plăcuța cu date tehnice. Acestea pot suferi modificări fără o notificare prealabilă.

DATE TEHNICE

Tensiune de alimentare	220-240V~50/60Hz
Putere	1500-1850 W
Capacitate	11 L
Temperatura	40-230 °C

Vă mulțumim pentru achiziționarea acestui produs! Dacă aveți nevoie de asistență în ceea ce privește produsul dumneavoastră, vizitați site-ul nostru web utilizând linkurile de mai jos.

Obțineți manuale de utilizare: <https://www.heinner.ro>

Obțineți informații privind reparațiile: <https://www.heinner.ro>



Eliminarea deșeurilor în mod responsabil față de mediu

Va informam ca persoanele fizice au urmatoarele obligatii prin legislatia specifica privind protectia mediului si regimul deseurilor:

-Deseurile de echipamente electrice si electronice (DEEE), pot contine substante periculoase pentru mediu si sanatatea umana. Conform OUG 5/2015, exista obligativitatea predarii acestora, pentru tratarea corespunzatoare si valorificarea componentelor reciclabile. Societatea Network One Distribution S.R.L. este platitoare de taxa de "timbru verde" pentru fiecare Echipament Electric si Electronic (EEE) pe care il pune pe piata. Acest cost asigura tratarea ulterioara a echipamentelor uzate colectate. Din acest motiv, odata ce devine deseu, produsul EEE poate fi predat gratuit operatorului Dvs. de salubritate, la magazine atunci cand achizitionati alt echipament similar, sistemul "unul la unu" sau la punctul de colectare organizat de Primaria Sectorului / localitatii Dvs.

-Simbolul (marcajul) aplicat produselor, care indica faptul ca deseurile DEEE, bateriile si acumulatorii fac obiectul unei colectari separate, il reprezinta o pubela barata cu o cruce.



Aceste masuri vor ajuta la protejarea mediului

Societatea Network One Distribution S.R.L. este inregistrata in Registrul de punere pe piata a echipamentelor electrice si electronice, avand numarul de inregistrare: RO-2016-03-EEE-0201-IV. De asemenea, au fost intocmite si sunt gestionate: Registrul de Retragere EEE si Registrul de Rechemare EEE, in conformitate cu HG 322/2013. Totodata societatea este inregistrata in Registrul de punere pe piata a bateriilor, avand numarul de inregistrare: RO-2011-03-B&A-0283.

Conformitatea cu directiva RoHS: Produsul pe care l-ați cumpărat este conform cu Directiva RoHS UE (2011/65/UE). Nu conține materialele dăunătoare și interzise specificate în Directivă.



HEINNER este marcă înregistrată a companiei **Network One Distribution SRL**. Celelalte branduri și denumirile produselor sunt mărci de comerț sau mărci de comerț înregistrate ale respectivilor deținători.

Nicio parte a specificațiilor nu poate fi reprodusă sub nicio formă și prin niciun mijloc, nici utilizată pentru obținerea unor derivate precum traduceri, transformări sau adaptări, fără consimțământul prealabil al companiei NETWORK ONE DISTRIBUTION.

Copyright © 2013 Network One Distribution. Toate drepturile rezervate.

www.heinner.com, <http://www.nod.ro>



Acest produs este proiectat și realizat în conformitate cu standardele și normele Comunității Europene.



Importator: **Network One Distribution**

Str. Marcel Iancu, nr. 3-5, București, România

Tel: +40 21 211 18 56, www.heinner.com, www.nod.ro

ФРИТЮРНИК С ГОРЕЩ ВЪЗДУХ

Модел: OVENFRY COOK

HAFO-M11BK1700



- Капацитет: 11 Л
- Мощност: 1500-1850 W
- Температура 40-230°C

HEINNER

1. ВЪВЕДЕНИЕ

Моля прочетете внимателно инструкциите и запазете наръчника за бъдещи справки.

Този наръчник има за цел да Ви предостави всички необходими инструкции по отношение на инсталирането, използването и поддържането на уреда. Преди инсталиране и използване на уреда, с цел правилна и безопасна употреба на уреда, моля прочетете внимателно този наръчник с инструкции.

2. СЪДЪРЖАНИЕ НА ВАШИЯ ПАКЕТ

- ➔ Фритюрник с горещ въздух
- ➔ Наръчник за употреба
- ➔ Сертификат за гаранция
- ➔ Декларация за съответствие

3. ИНСТРУКЦИИ ЗА БЕЗОПАСНОСТ

ОБЩИ УКАЗАНИЯ

- За да се защитите от риска от токов удар, НЕ потапяйте захранващия кабел, щепсела или уреда във вода или в други течности.
- НЕ изплаквайте уреда под чешма или друг източник на вода.
- Уредът НЕ е предназначен за използване от страна на деца или лица, които имат физически, сетивни или умствени затруднения. Необходимо е внимателно наблюдение, когато този уред се използва в близост до деца или до такива лица. Не позволявайте на деца да използват уреда или да си играят с него.
- Изключвайте щепсела от източника на захранване, когато няма да използвате уреда и преди извършване на всякакви операции за почистване. Оставете уреда да изстива преди добавяне или премахване на аксесоари, както и преди почистване на уреда. За да изключите уреда, натиснете бутона „Cancel“. За изключване на уреда от източника на захранване, хванете за щепсела и извадете го от контакта. Никога не дърпайте за захранващия кабел.
- Избягвайте докосването на движещите се компоненти.
- Проверявайте периодично уреда и захранващия кабел. НЕ използвайте уреди, които имат повреден кабел или щепсел. НЕ използвайте уреда в случай на поява на неизправност, ако уредът е бил изпуснат или е бил повреден по някакъв начин.
- НЕ използвайте аксесоари или спомагателни компоненти, които не са оторизирани от доставчика. Използването на аксесоари, които не се препоръчват от производителя, може да причини нараняване, пожар или токов удар.
- Този уред е предназначен само за домашна употреба, върху кухненски плот. Не използвайте уреда на открито. Този уред не е предназначен за търговска употреба.
- НЕ поставяйте уреда или някой от неговите компоненти върху никакъв вид плоча на кухненска печка, в близост до газови горелки или електрически котлони или в загрята фурна. Топлината, произхождаща от външен източник, ще повреди уреда.
- НЕ използвайте уреда за цел, различна от тази, за която е проектиран.
- НЕ се опитвайте да ремонтирате, сменяте, променяте или модифицирате компонентите на уреда. Това може да причини токов удар, пожар и/или нараняване, и ще анулира гаранцията.

- НЕ модифицирайте нито един от механизмите за безопасност.
- НЕ оставяйте уреда без надзор, когато работи.


- Когато уредът не е включен, НЕ съхранявайте в него други материали, освен включените аксесоари.
- НЕ поставяйте във ваната на уреда запалими материали като хартия, картон, пластмаса, полистирол или дърво.
- Необходимо е да действате особено внимателно, когато премествате уред, който съдържа горещо олио или други горещи течности.
- Уверете се, че фритюрникът с горещ въздух не се намира в близост до запалими материали (завеси, покривки и др.). Използвайте уреда върху стабилна и топлоустойчива повърхност, далеч от източници на топлина или течности.
- За да избегнете риска от възникване на пожар, материални щети и телесно нараняване, НЕ разпръсквайте олио във ваната за готвене.
- При никакви обстоятелства не поставяйте никакви предмети върху фритюрника с горещ въздух.
- Ваната за готвене на фритюрника с горещ въздух съдържа електрически компоненти. За да избегнете токов удар, НЕ поставяйте никаква течност във ваната за готвене.
- Препоръчително е да извършвате съответстващи операции по поддръжка след всяка употреба. Вижте раздел „ПОЧИСТВАНЕ И ПОДДРЪЖКА“.
- Оставете уреда да се охлади до стайна температура преди почистване или съхранение.
- Не почиствайте продукта с помощта на телчета за съдове. От телчетата за съдове може да се отделят парченца, които може да влязат в контакт с електрически компоненти, генерирайки по този начин опасност от токов удар.
- Външната повърхност на уреда може да се нагрива по време на употреба. Не докосвайте горещи повърхности. Употребявайте само дръжката на кошницата на фритюрника с горещ въздух, за да вдигнете и пренесете кошницата на фритюрника с горещ въздух. Носете съответстващи защитни ръкавици по време на работа с горещи компоненти. Бъдете внимателни, когато премествате уреда.
- Оставете уреда да се охлади до стайна температура преди да боравите с него или да го преместите.
- ПРЕДУПРЕЖДЕНИЕ: Разлятата храна може да причини сериозно изгаряне. Не оставяйте уреда и захранващия кабел на достъпни места за деца.
- При никакви обстоятелства НЕ оставяйте кабела да виси над ръба на масата или на кухненския плот или да се допира до горещи повърхности, и при никакви обстоятелства НЕ използвайте електрически контакт, който се намира под кухненския плот.
- НЕ препълвайте уреда или неговите аксесоари. Препълването на уреда може да доведе до контакт на храната с нагревателния елемент, което може да причини пожар и/или телесно нараняване.
- НЕ покривайте отвора за влизане на въздух, отвора за извеждане на въздух (отгоре) или отвора за извеждане на въздух (отдолу), докато уредът работи. В противен случай готвенето няма да бъде равномерно и съществува риск от повреждане на уреда.
- Фритюрникът с горещ въздух готви храна, като използва само горещ въздух. При никакви обстоятелства НЕ наливайте и не разпръсквайте олио във ваната за готвене. Това може да причини пожар и/или телесно нараняване.
- По време на готвене температурата във вътрешността на уреда достига няколко градуса. За да избегнете телесно нараняване, ПРИ НИКАКВИ ОБСТОЯТЕЛСТВА не вкарвайте незащитени ръце във вътрешността на уреда, преди да се е охладил до стайна температура.
- По време на готвене НЕ поставяйте уреда до стена или до други уреди. Оставете свободно място най-малко 13 см от задната страна на уреда, от предната страна, от двете му страни, както и над уреда. Не използвайте уреда върху запалими материали (покривки за маса, завеси и др.) или в близост до тях. Не поставяйте нищо върху уреда.
- Не поставяйте храна в тавата за отцеждане.
- Горната страна на храните от долната вана трябва да бъде на разстояние 2,5 см спрямо горния нагревателен елемент.
- Не измивайте тавата за отцеждане в съдомиялна машина.

- По време на работа на уреда, горещият въздух излиза през отворите за извеждане на въздух. Дръжте ръцете и лицето си на безопасно разстояние от отворите за извеждане на въздух и бъдете изключително предпазливи, когато изваждате аксесоарите от уреда.
- Ако от уреда излиза черен дим, натиснете бутона „Cancel” и изключете незабавно уреда от източника на захранване. Изчакайте, докато спре да излиза дим, преди да извадите кошницата, след което почистете уреда старателно. Ако димът не е произхождал от изгорените храни, свържете се с отдела за обслужване на клиенти.
- Уредите HE са предназначени за използване чрез външен таймер или чрез система за дистанционно управление.
- Бъдете особено предпазливи, когато изваждате горещите кошници от уреда или когато отстранявате горещата мазнина.
- Без съответстващо почистване може да се натрупват пръски от храна и мазнина около нагревателния елемент. Това може да причини дим, пожар и/или телесно нараняване.
- Големи хранителни продукти и/или опаковки от метално фолио или прибори не трябва да се поставят във ваната за готвене, тъй като може да причинят пожар и/или телесно нараняване.
- HE използвайте аксесоарите на уреда в никакви други уреди, в микровълнови фурни, тостери, конвекторни или конвенционални фурни, електрически, индукционни или газови печки или скари на открито.
- Не поставяйте хартия, картон, неустойчива на топлина пластмаса или подобни материали във фритюрника с горещ въздух. Може да използвате хартия за печене или алуминиево фолио.
- При никакви обстоятелства не поставяйте хартия за печене във фритюрника с горещ въздух, без да сте поставили и храни върху хартията за печене. Циркулацията на въздуха може да доведе до вдигане на хартията и допиране до нагревателните елементи.
- Винаги използвайте топлоустойчиви съдове. Бъдете особено предпазливи, ако използвате съдове, които не са произведени от метал или стъкло.
- Не покривайте с метално фолио тавата за трохи или всеки друг компонент на фурната. Това ще доведе до прегряване на фурната.

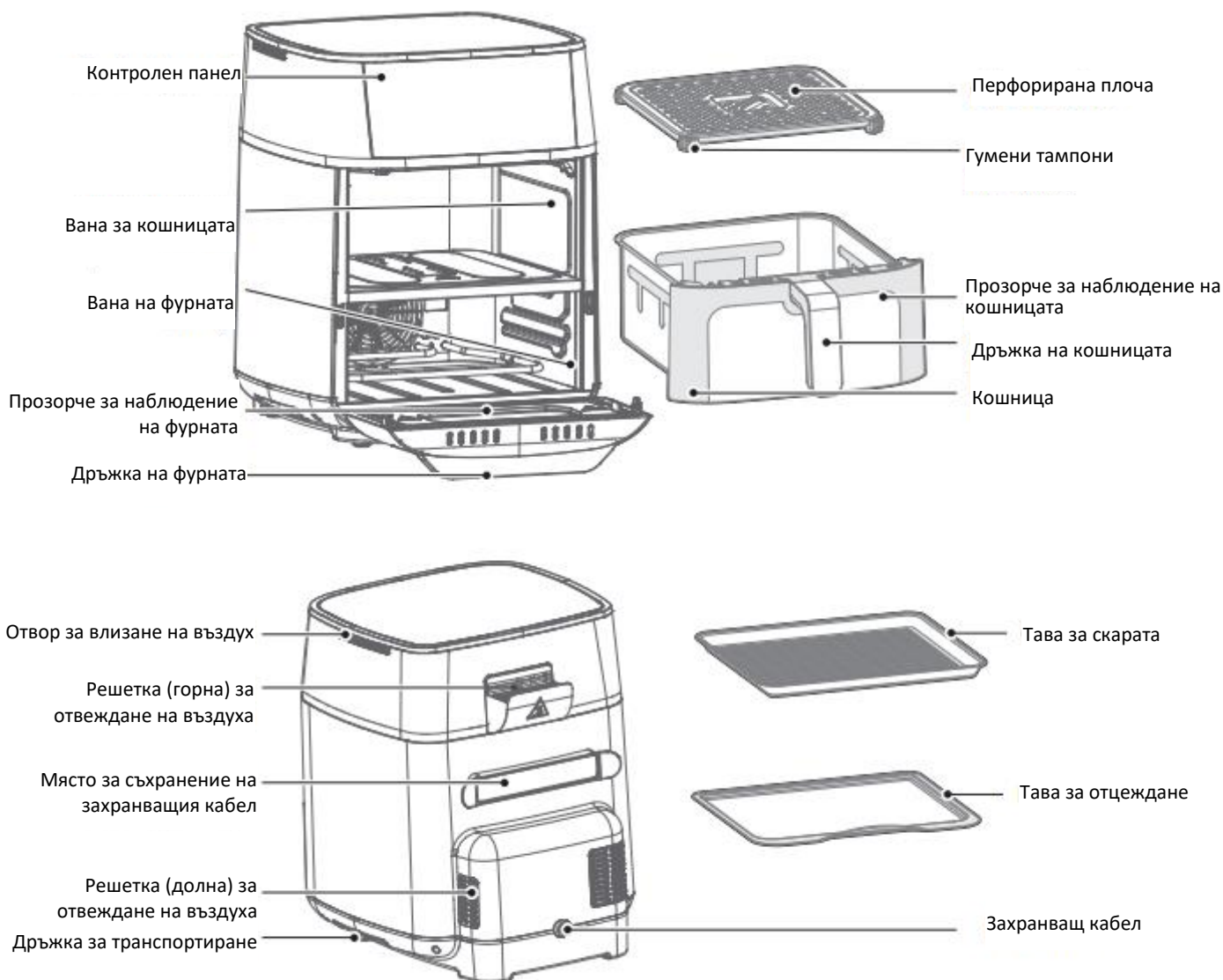
ЩЕПСЕЛЪТ И КАБЕЛЪТ

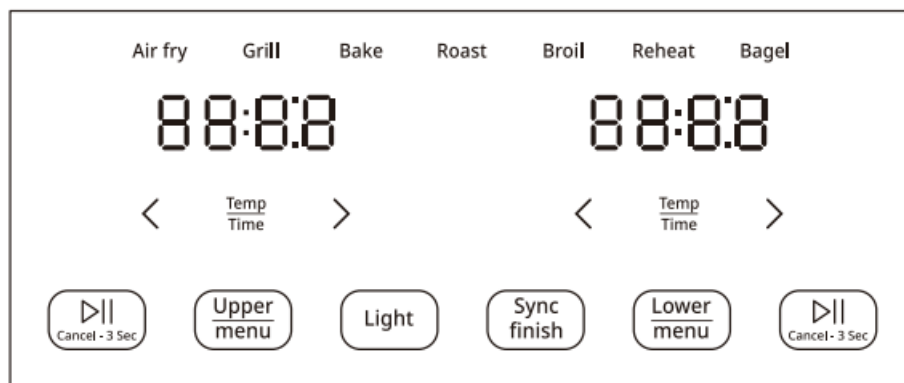
- Този уред е оборудван с поляризиран щепсел. За намаляване на риска от токов удар, този щепсел трябва да се поставя в поляризиран контакт в една единствена позиция. Ако щепселът не влиза изцяло в контакта, обърнете го. Ако пак не влиза, свържете се с квалифициран електротехник. Не се опитвайте да модифицирате щепсела по никакъв начин.
- Захранващият кабел на уреда е къс, за да се намалят рисковете, които могат да възникнат, ако се спъвате в него или се заплита.
- Използването на удължители не е забранено, ако им се обърне необходимото внимание. Ако се използва удължител:
 1. Електрическите характеристики, изписани върху удължителния кабел, трябва да бъдат най-малко идентични с тези на уреда.
 2. Дългият кабел трябва да се разполага, така че да не преминава над масата, за да не може да се дърпа от деца и за да не се спъвате в него.Не използвайте същия удължител за други уреди. HE използвайте уреда в други електрически контакти освен тези от 220-240V~ (50/60Hz). HE използвайте уреда с конвертори за мощност или захранващи адаптери. HE позволявайте захранващият кабел да влиза в контакт с горещи повърхности или източници на открит пламък (например с плоча на кухненска печка).
- Прочетете този наръчник внимателно и изцяло и го запазете за бъдещи справки. Неспазването на инструкциите за безопасност може да доведе до сериозни наранявания или щети.
- За да избегнете нараняване, прочетете и се уверете, че разбирате инструкциите от настоящия наръчник за употреба, преди да се опитате да използвате този уред.

- Неспазването на някоя от важните мерки за безопасност и/или на инструкциите за употреба при безопасни условия представлява несъответстваща употреба на Вашия уред, която може да анулира гаранцията Ви и да генерира опасност от сериозно нараняване.
- За изключване от източника на захранване, завъртете контролните бутони в позиция „Изключено“ и извадете щепсела от контакта.
- Този уред е предназначен само за домашна употреба.
- Уредът може да се използва от деца на възраст най-малко 8 години и от лица с намалени физически, сетивни или умствени способности, или с липса на достатъчен опит и познания, само ако са под наблюдение или са получили указания във връзка с използването на уреда по безопасен начин и ако разбират опасностите, които могат да възникнат при използване на уреда. Почистването и поддръжката не трябва да се извършват от деца, които не са под наблюдение.
- Уредите не са предназначени за използване чрез външен таймер или чрез система за дистанционно управление.

 **Внимание! Горещи повърхности!** По време на употреба повърхностите на уреда се нагряват.

4. ОПИСАНИЕ НА ПРОДУКТА





	Наименование	Описание
1	Функции	Всяка от 7-те функции може да бъде използвана в горната или долната вана, за да сготвите голямо разнообразие от ястия. Температурата и продължителността може да се настройват за всяка функция. Бутонът може да се натисне за избор или промяна на функциите.
2	Цифровият екран	Времето за готвене, зададената температура, предупредителните съобщения и съобщенията за грешка се изписват тук.
3	Бутон за избор на ваната	Когато уредът е в режим на готовност, натиснете бутона UPPER/LOWER, за да изберете и зададете съответстващото отделение.
4	Отмяна	<ul style="list-style-type: none"> • Натиснете бутона за включване/изключване на съответстващото отделение, за да активирате функцията за готвене. • Светлинният индикатор на менюто, избрано за съответстващата вана, свети, а останалите светлинни индикатори, свързани с менютата, са изгаснати. • Цифровият екран, който съответства за съответната вана, показва продължителността.
5	UPPER (ГОРЕН)	След като изберете ГОРНОТО отделение, натиснете бутона UPPER, за да изберете съответстващото меню. Светлинният индикатор на избраната функция мига, а другите светлинни индикатори, съответстващи на менютата, светят. Цифровият екран показва температурата на менюто, като в този момент може да натиснете бутона Start/Pause, съответстващ за ГОРНОТО отделение. Също така, може да натиснете бутона TIME/TEMP, за да изберете параметрите за настройка.
6	LIGHT (СВЕТЛИНА)	По всяко време може да натиснете бутона LIGHT, за да включите или изключите лампата в горното и долното отделение. След активиране може да изключите лампата ръчно чрез изваждане на кошницата или отваряне на вратата на фурната. След 30 секунди, лампата изгасва автоматично.
7	LOWER (ДОЛЕН)	След като изберете ДОЛНОТО отделение, натиснете бутона LOWER, за да изберете съответстващото меню. Светлинният индикатор на избраната функция мига, а другите светлинни индикатори, съответстващи на менютата, светят. Цифровият екран показва температурата на менюто, като в този момент може да натиснете бутона Start/Pause, съответстващ за ДОЛНОТО отделение. Когато отделението започне да работи, ПРОДЪЛЖИТЕЛНОСТТА може да се настройва директно или може да натиснете бутона TIME/TEMP. Натиснете, за да изберете параметрите за настройка.

Съобщение	Описание
00:15	По време на програмиране цифровият екран ще изписва зададеното време за готвене. По време на готвене цифровият екран ще изписва останалото време за готвене.
150 °C	Цифровият екран показва зададената температура.
Turn Food	При определени програми за готвене цифровият екран ще изписва напомнянето „Turn Food“ (Обърнете храната), когато храните трябва да се обърнат, преобърнат или разклатят.

End	Готвенето е завършено и може да извадите горната кошница или долната тава.
E1orE2	Горната вана не работи по съответстващ начин. Моля, свържете се със службата за обслужване на клиенти.
E5orE6	Долната вана не работи по съответстващ начин. Моля, свържете се със службата за обслужване на клиенти.
OPEN	Кошницата на горната вана е извадена или вратата на долната вана е отворена. Забележка: Когато една от ваните е отворена, бутоните, съответстващи за тази вана, не може да се използват.
Hold	Докато е активна функцията за синхронизация на завършването на готвенето, цифровият екран, съответстващ за ваната с по-кратко време за готвене, ще показва „HoLd“, до момента, в който и двете вани имат същото оставащо време за готвене.

5. ИЗПОЛЗВАНЕ НА ПРОДУКТА

- Тези опции за готвене придават на Вашите храни пълния вкус и хрупкавата текстура на пърженето, с много малко или дори без никакво олио
- Времената и температурите по подразбиране са отправна точка, с която може да експериментирате, за да постигнете предпочитаните резултати.
- Посочената функция за всяка храна представлява препоръка за оптимално готвене. Всяка от функциите може да се използва както в кошницата на горната вана, така и в долната вана.

ПРЕПОРЪКИ

- Винаги поставяйте храната равномерно върху перфорираната плоча и върху тавата за скарата, за да получите най-добри резултати при готвене.
- Припокриването на храни може да доведе до неравномерното им сготвяне.
- За да станат храните по-хрупкави може да се напръскат малко преди да бъдат сготвени.
- Ако фритюрникът е бил изключен за повече от 10 минути, той ще се върне в режим на готовност и ще се изтрият всички съществуващи настройки.
- За повечето храни обръщането, разклащането или преобръщането по средата на готвенето ще доведе до получаване на най-добри резултати.
- Продължителността и температурата може да се настройват по всяко време на процеса на готвене.

Съставка	Препоръчана функция	Замразени	Настройка на горното отделение (кошница)				Настройка на долното отделение (фурна)			
			Количество	Температура на готвене	Времетраене (отделение 1)	Времетраене (отделение 2)	Количество	Температура на готвене	Времетраене (отделение 1)	Времетраене (отделение 2)
Пържени картофи	Air Fry	Да	500 гр.	185 °C	16 мин.	24 мин.	300 гр.	200 °C	21 мин.	27 мин.
Пилешки крилца	Air Fry	Да	600 гр.	185 °C	17 мин.	21 мин.	400 гр.	200 °C	19 мин.	22 мин.
	Air Fry	Не	600 гр.	185 °C	14 мин.	18 мин.	400 гр.	200 °C	17 мин.	20 мин.
Пилешки бутчета	Air Fry	Да	1000 гр.	180 °C	36 мин.	42 мин.	600 гр.	200 °C	39 мин.	43 мин.
	Air Fry	Не	1000 гр.	180 °C	19 мин.	23 мин.	600 гр.	200 °C	20 мин.	24 мин.
Дехидратирани ябълки	Dehydrate	Не	1 бр.	90 °C	120 мин.	150 мин.	1 бр.	90 °C	120 мин.	150 мин.
Телешки бургери	Grill	Да	1 бр.	175 °C	8 мин.	11 мин.	1 бр.	175 °C	8 мин.	11 мин.
Бейгъл	Bagel	Не	2 половинки от геврек	185 °C	3 мин.	5 мин.	2 половинки от геврек	185 °C	4 мин.	6 мин.
Аспержи	Roast	Не	400 гр.	180 °C	10 мин.	14 мин.	300 гр.	195 °C	12 мин.	14 мин.
Пилешки гърди	Air Fry	Да	500 гр.	180 °C	37 мин.	39 мин.	500 гр.	200 °C	37 мин.	39 мин.
	Air Fry	Не	500 гр.	180 °C	21 мин.	22 мин.	500 гр.	200 °C	21 мин.	22 мин.
Тост	Toast	Не	4 филийки	180 °C	6 мин.	10 мин.	4 филийки	200 °C	6 мин.	8 мин.
Панирано пиле	Air Fry	Да	2 бр.	185 °C	13 мин.	18 мин.	2 бр.	200 °C	15 мин.	20 мин.
Панирана риба	Air Fry	Да	300 гр.	185 °C	13 мин.	18 мин.	300 гр.	200 °C	15 мин.	20 мин.
Панирани скариди	Air Fry	Да	200 гр.	185 °C	9 мин.	13 мин.	200 гр.	200 °C	11 мин.	15 мин.
Пръщици препечен хляб	Toast	Да	130 гр.	175 °C	5-9 мин.	6-10 мин.	130 гр.	195 °C	6-10 мин.	6-10 мин.
Брюкселско зеле	Air Fry	Не	400 гр.	190 °C	9-12 мин.	16-24 мин.	400 гр.	200 °C	12-18 мин.	16-22 мин.
Дребни сладки със шоколадови люспи	Bake	Не	90 гр.	160 °C	8-13 мин.	9-15 мин.	90 гр.	175 °C	9-15 мин.	9-16 мин.

Пица с пеперони	Ваке	Да	23 см	165 °C	10 мин.	17 мин.	23 см	170 °C	13 мин.	18 мин.
-----------------	------	----	-------	--------	---------	---------	-------	--------	---------	---------

ВНИМАНИЕ

- За да избегнете риска от възникване на пожар, материални щети и телесно нараняване, НЕ разпръсквайте олио във ваната за готвене.
 - При никакви обстоятелства не поставяйте никакви предмети върху фритюрника с горещ въздух.
- Всякакви интервенции с цел ремонтване на уреда трябва да се извършват от представител на оторизиран сервиз.

ПРЕДУПРЕЖДЕНИЕ

- Без съответстващо почистване може да се натрупват пръски от храна и мазнина около нагревателния елемент. Това може да причини дим, пожар и телесно нараняване.
- Ако забележите или помиришете дим, докоснете бутона „Cancel”, изключете уреда от източника на захранване и го оставете да се охлади. Премахнете хранителните остатъци и мазнината с мека кърпа и препарат за миене на съдове.

6. ПОЧИСТВАНЕ

- Почиствайте кошницата, перфорираната плоча и тавата за скарата след всяка употреба.
- Винаги изключвайте фритюрника с горещ въздух от източника на захранване и оставете уреда да се охлажда до стайна температура преди да го почистите. При никакви обстоятелства не използвайте силни препарати за миене, телчета за съдове или почистващи прахове за нито един от компонентите.
- Оставете всички повърхности да изсъхнат напълно, преди да използвате или съхранявате продукта.

Компонент или аксесоар	Начин на почистване
Горна кошница	<ul style="list-style-type: none"> • Почиствайте кошницата на фритюрника с гъба или попивателна кърпа и топла вода с препарат за миене на съдове, след което я изплаквайте обилно. Уверете се, че всички остатъци от мазнини и храни са отстранени. • НЕ потапяйте кошницата във вода или в други течности. • НЕ я измивайте в съдомиялна машина.
Тава за скарата	<ul style="list-style-type: none"> • Почиствайте тавата за скарата с попивателна кърпа или гъба и топла вода с препарат за миене на съдове. • Тавата за скарата има незалепащо покритие. За да избегнете увреждане на незалепащото покритие, НЕ използвайте метални прибори за почистване. • НЕ я измивайте в съдомиялна машина.
Перфорирана плоча	<ul style="list-style-type: none"> • Почиствайте перфорираната с попивателна кърпа или гъба и топла вода с препарат за миене на съдове. • Перфорираната плоча има незалепащо покритие. За да избегнете увреждане на незалепащото покритие, НЕ използвайте метални прибори за почистване. • НЕ я измивайте в съдомиялна машина.
Тава за отцеждане	<ul style="list-style-type: none"> • Почиствайте тавата за отцеждане с попивателна кърпа или гъба и топла вода с препарат за миене на съдове. • Тавата за отцеждане има незалепащо покритие. За да избегнете увреждане на незалепащото покритие, НЕ използвайте метални прибори за почистване. • НЕ я измивайте в съдомиялна машина.
Горна вана/ долна вана	<ul style="list-style-type: none"> • Почиствайте ваната за готвене с попивателна кърпа или гъба и топла вода с препарат за миене на съдове. • За да премахнете мазнината и хранителните остатъци от ваната за готвене, разпръскайте в нея смес от сода бикарбонат и оцет и я избършете с влажна кърпа. • При упорито замърсяване оставете сместа да действа върху засегнатото място за няколко минути, преди да отстраните мръсотията чрез триене. • Проверете нагревателния елемент, за да се уверите, че върху него няма пръски олио и хранителни остатъци. Ако е необходимо, почистете нагревателния елемент с влажна попивателна кърпа. Уверете се, че нагревателният елемент е напълно сух преди следващото използване на уреда. • НЕ я измивайте в съдомиялна машина.
Външна страна	<ul style="list-style-type: none"> • Почиствайте външната страна с мека и влажна попивателна кърпа, след което я избършете.

Прозорче за наблюдение на кошницата/
Прозорче за наблюдение на фурната

• Почистете вътрешната и външната страна на прозорчетата за наблюдение с попивателна кърпа или гъба и топла вода с препарат за миене на съдове. НЕ използвайте метални прибори за почистване.

ПРЕДУПРЕЖДЕНИЕ

• Без съответстващо почистване може да се натрупват пръски от храна и мазнина около нагревателния елемент.

Това може да причини дим, пожар и телесно нараняване.

• Ако забележите или помиришете дим, докоснете бутона „Cancel“, изключете уреда от източника на захранване и го оставете да се охлади. Премахнете хранителните остатъци и мазнината с мека кърпа и препарат за миене на съдове.

7. ОТСТРАНЯВАНЕ НА НЕИЗПРАВНОСТИ

По време на използването на вашия уред е възможно да възникнат грешки и повреди. Таблицата по-долу съдържа възможни причини и решения за разрешаване на грешки или отстраняване на повреди. Препоръчваме ви да прочетете внимателно информацията в таблицата по-долу, за да спестите време и пари, които може да са необходими, ако се обърнете към център за ремонт.

Проблем	Причина	Решение
Храната препечена/изгоряла.	Температурата на готвене е твърде висока.	Проверете температурата на готвене и я настройте по съответстващ начин.
	Времето за готвене е твърде дълго.	Проверете температурата на готвене и я настройте по съответстващ начин.
Храната е недопечена.	Температурата на готвене е твърде ниска.	Проверете температурата на готвене и я настройте по съответстващ начин.
	Продължителността на готвене е твърде кратка.	Проверете температурата на готвене и я настройте по съответстващ начин.
	Чекмеджето на фритюрника е препълнено.	Уверете се, че чекмеджето на фритюрника не е напълнено до краищата. Оставете място 3-4 см, така че въздухът да циркулира.
	Поставката не е монтирана в основата на чекмеджето на фритюрника, като по този начин се възпрепятства циркулацията на въздуха.	Уверете се, че поставката е монтирана в основата на чекмеджето на фритюрника.
Уредът не се включва.	Фритюрникът с горещ въздух не се захранва с електроенергия.	Уверете се, че щепселът е поставен в контакта по съответстващ начин и че контактът работи.
	Чекмеджето на фритюрника не е поставено или не е натиснато докрай в уреда.	Уверете се, че чекмеджето на фритюрника е поставено и е натиснато докрай.
	Предпазителят е изгорял.	Проверете предпазителя, като го смените с нов със същите характеристики.
Миризма на изгоряло, произхождаща от уреда	Храните са захванати под поставката.	Уверете се, че чекмеджето на фритюрника и поставката са чисти.
	Има остатъци от храна върху чекмеджето на фритюрника/поставката.	

СЕРВИЗ И ОБСЛУЖВАНЕ НА КЛИЕНТИ

Използвайте само оригинални резервни части.

Когато се свързвате с нашия оторизиран сервизен център, уверете се, че имате под ръка следната информация: Наименование на модела и сериен номер.

Информацията може да бъде намерена на табелката с технически данни. Те подлежат на промяна без предварително уведомление.

ТЕХНИЧЕСКИ ДАННИ

Захранващо напрежение	220-240V~50/60Hz
Мощност	1500-1850W
Капацитет	11 Л
Температура	40-230 °C

Благодарим Ви за закупуването на този продукт! Ако се нуждаете от помощ за вашия продукт, посетете нашия уебсайт, като използвате линковете по-долу.

Получете ръководства за употреба: <https://www.heinner.ro>

Получете информация за ремонт: <https://www.heinner.ro>



Изхвърляне на отпадъците по начин, отговорен за околната среда

Можете да помогнете за опазването на околната среда!

Моля спазвайте местните разпоредби: Предайте нефункциониращото електрическо оборудване на център за събиране на отпадъци от електрическо оборудване.



HEINNER е регистрирана марка на компанията **Network One Distribution SRL**.

Останалите търговски марки и наименованията на продуктите са търговски марки или регистрирани търговски марки на съответните им притежатели.

Нито една част от спецификациите не може да бъде възпроизвеждана под каквато и да е форма или средство, или използвана за получаване на производни като преводи, трансформации или адаптации, без предварителното съгласие на компанията NETWORK ONE DISTRIBUTION.

Copyright © 2013 Network One Distribution. Всички права запазени.

www.heinner.com, <http://www.nod.ro>



Този продукт е проектиран и произведен в съответствие със стандартите и нормите на Европейската общност.



Вносител: **Network One Distribution**

ул. Марчел Янку № 3-5, Букурещ, Румъния

Тел: +40 21 211 18 56, www.heinner.com , www.nod.ro

FORRÓLEVEGŐS SÜTŐ

Modell: OVENFRY COOK

HAFO-M11BK1700



- Kapacitás: 11 L
- Teljesítmény: 1500-1850 W
- Hőmérséklet 40-230°C

HEINNER

1. BEVEZETŐ

Kérjük, figyelmesen olvassa el az utasításokat, és őrizze meg a kézikönyvet későbbi tanulmányozás céljából.

A kézikönyv célja a készülék beszerelésével, használatával és karbantartásával kapcsolatos minden szükséges tudnivalót rendelkezésére bocsátani. A készülék helyes és biztonságos használata érdekében, kérjük, hogy beszerelés és használat előtt olvassa el figyelmesen a használati kézikönyvet.

2. AZ ÖN CSOMAGJÁNAK TARTALMA

- ➔ **Forrólevegős sütő**
- ➔ **Használati kézikönyv**
- ➔ **Jótállási bizonylat**
- ➔ **Megfelelőségi nyilatkozat**

3. A BIZTONSÁGRA VONATKOZÓ UTASÍTÁSOK


ÁLTALÁNOSÁGOK

- Az áramütés elkerülése érdekében, NE helyezze a a tápvezetéket, a dugaszolót vagy a készüléket vízbe vagy más folyadékba.
- NE öblítse a készüléket csap vagy más vízforrás alatt.
- A készüléket NEM gyermekek vagy csökkent fizikai, érzékszervi vagy szellemi képességekkel rendelkező személyek általi használatra szánják. Gondos felügyelet szükséges, ha a készüléket gyermekek és ilyen személyek közelében használják. Ne engedje, hogy gyermekek használják a készüléket, vagy játszanak vele.
- Állítsa le a készüléket és húzza ki a dugaszt az áramforrásból, ha ez hanzsálaton kívül van, illetve tisztítás előtt. Mielőtt az alkatrészeket felszerelné vagy eltávolítaná, valamint tisztítás előtt, kérjük, engedje a berendezést lehűlni. A készülék kikapcsolásához nyomja meg a „Cancel” gombot. A készülék áramforrásról való lecsatlakoztatásához, fogja meg a dugaszt, és húzza ki a csatlakozóaljzatból. Soha ne húzza meg a tápkábelt.
- Kerülje a mozgásban levő alkatrészek megérintését.
- Rendszeresen ellenőrizze a készüléket és a tápkábelt. NE használjon olyan készülékeket, amelyeknek sérült a zsinórja vagy a dugója. NE használja a készüléket, ha az meghibásodott, leesett vagy bármilyen módon megsérült.
- NE használjon a szállító által nem engedélyezett tartozékokat vagy kiegészítő alkatrészeket. A gyártó által nem ajánlott tartozékok használata sérülést, tüzet vagy áramütést okozhat.
- Ezt a készüléket kizárólag háztartási használatra szánták, konyhai munkalapon. NE használja a készüléket szabad ég alatt. Ez a készülék nem kereskedelmi használatra készült.
- NE helyezze a készüléket vagy annak bármely alkatrészét bármilyen típusú tűzhelyre, gáz- vagy elektromos égő közelébe, vagy fűtött sütőbe; a külső forrásból származó hő károsítja a készüléket.
- NE használja a készüléket a tervezett céltól eltérő célra.
- NE próbálja meg a készülék bármely alkatrészét megjavítani, kicserélni, kicserélni vagy módosítani. Ez áramütést, tüzet és/vagy sérülést okozhat, és a garancia érvényét veszti.
- NE módosítsa a biztonsági mechanizmusokat.
- NE hagyja a készüléket felügyelet nélkül működés közben.

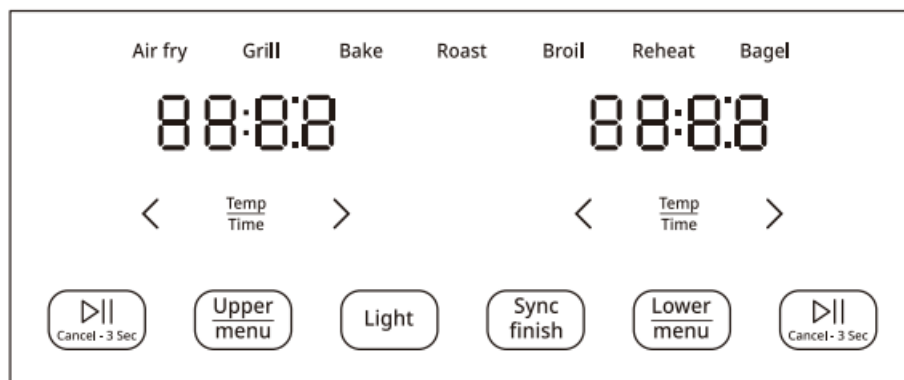
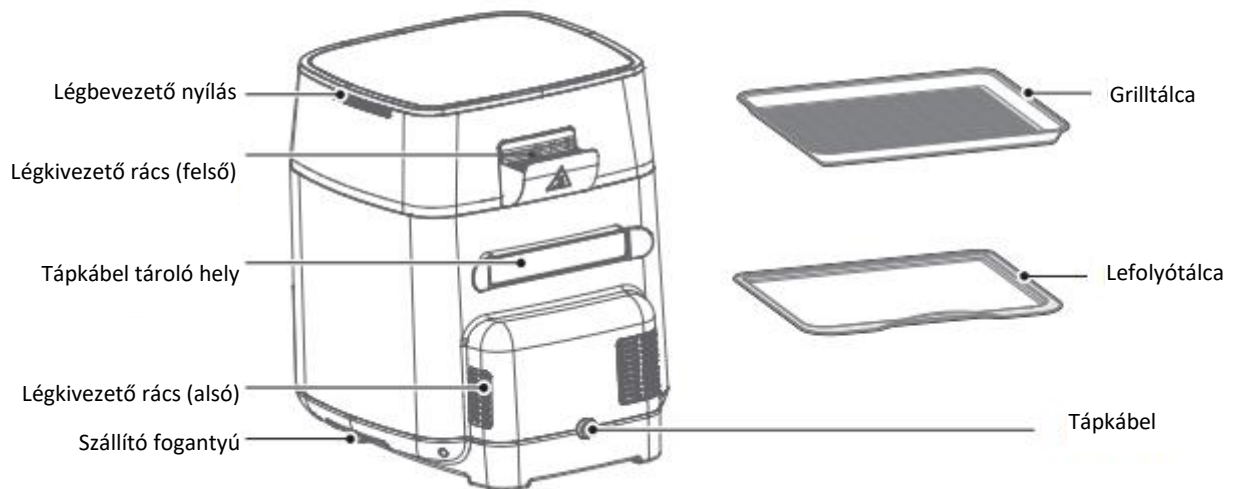
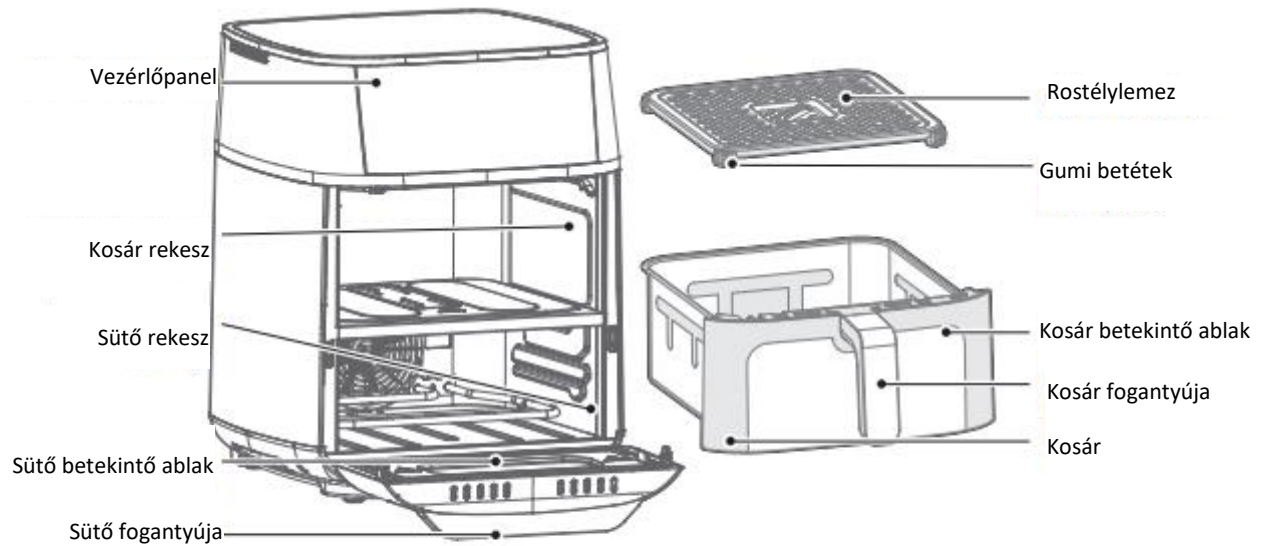
- Amikor a készülék nincs használatban, NE tároljon a készülékben a mellékelt tartozékokon kívül más anyagot.
- NE tegyen a készülékbe éghető anyagokat, például papírt, kartont, műanyagot, polisztirolt vagy fát.
- Cselekedjen nagyon óvatosan a felforrósodott olajat vagy más forró folyadékot tartalmazó készülék áthelyezése során.
- Ügyeljen arra, hogy a forrólevegős sütő ne legyen gyúlékony anyagok (függönyök, terítők stb.) közelében. A készüléket stabil, hőálló felületen, hőforrásoktól vagy folyadékoktól távol használja.
- A tűz, az anyagi kár és a személyi sérülés veszélyének elkerülése érdekében NE permetezzen étolajat a sütőedénybe.
- Soha ne tegyen semmilyen tárgyat a forró légsütő tetejére.
- A forrólevegős sütő sütőedénye elektromos alkatrészeket tartalmaz. Az áramütés elkerülése érdekében NE tegyen semmilyen folyadékot a főzőedénybe.
- Minden használat után ajánlott a megfelelő karbantartás. Tanulmányozza a „TISZTÍTÁS ÉS KARBANTARTÁS” fejezetet.
- Tisztítás vagy tárolás előtt hagyja, hogy a készülék szobahőmérsékletűre hűljön.
- Ne tisztítsa a készüléket drótfonalas szivacsokkal. A darabok leoldódhatnak a drótkefékről és elektromos alkatrészekhez érhetnek, ami áramütés veszélyét idézi elő.
- A készülék külső felületei használat közben felforrósodhatnak. NE érintse a forró felületeket. A forrólevegős sütőkosár felemeléséhez és szállításához csak a forrólevegős sütőkosár fogantyúját használja. A forró alkatrészek kezelésénél viseljen megfelelő védőkesztyűt. Legyen óvatos a készülék mozgásakor.
- Hagyja, hogy a készülék szobahőmérsékletűre hűljön, mielőtt kezelné vagy mozgatná.
- FIGYELMEZTETÉS: A kiömlött étel súlyos égési sérüléseket okozhat. Ne hagyja a készüléket és a tápkábelt gyermekek számára elérhető közelségben.
- Semmilyen körülmények között NE hagyja, hogy a vezeték az asztal vagy a munkalap széle fölé lógjon, vagy forró felületekhez érjen, és NE használja semmilyen körülmények között a munkalap alatt található elektromos csatlakozót.
- NE töltsen túl a készüléket vagy tartozékait. A készülék túltöltése miatt az ételek érintkezésbe kerülhetnek a fűtőelemmel, ami tüzet és/vagy személyi sérülést okozhat.
- NE takarja le a készülék működése közben a levegőbevezető nyílást, a levegő kivezetését (felül) vagy a levegő kivezetését (alul). Ennek elmulasztása egyenetlen főzést és a készülék károsodásának kockázatát eredményezi.
- A forrólevegős sütő csak forró levegővel főzi az ételt. Semmilyen körülmények között NE öntsön vagy permetezzen olajat a sütőedénybe. Ez tüzet és/vagy személyi sérülést okozhat.
- Sütés közben a készülék belsejében a hőmérséklet több száz fokot is elér. A személyi sérülések elkerülése érdekében SOHA ne tegye védtelen kezét a készülék belsejébe, mielőtt az szobahőmérsékletűre lehűlné.
- Főzés közben NE helyezze a készüléket fal vagy más készülékek közelébe. Hagyjon legalább 13 cm helyet a készülék mögött, előtt, az oldalán és fölött. NE használja a készüléket gyúlékony anyagokon vagy azok közelében (terítők, függönyök stb.). Ne helyezzen semmit a készülék fölé.
- Ne tegyen ételt a csepegtető tálcába.
- Az alsó tálcában lévő ételek tetejének 2,5 cm távolságra kell lennie a felső fűtőelemtől.
- NE mossa el a csepegtető tálcát a mosogatógépben.
- A készülék működése közben a szellőzőnyílásokon keresztül forró levegő távozik. Tartsa kezét és arcát biztonságos távolságban a szellőzőnyílásoktól, és legyen rendkívül óvatos, amikor a tartozékokat kiveszi a készülékből.
- Ha a készülék fekete füstöt bocsát ki, nyomja meg a „Cancel” gombot, és azonnal válassza le a készüléket az elektromos hálózatról. A kosár eltávolításával várjon, amíg nem jön ki több füst, majd alaposan tisztítsa meg a készüléket. Ha a füst nem égett ételből származik, vegye fel a kapcsolatot az ügyfélszolgálattal.
- A készüléket NEM külső időzítő vagy távirányítás segítségével történő használatra tervezték.
- A forró kosarak a készülékből való eltávolításakor vagy a forró zsiradék eltávolításakor fokozott óvatossággal járjon el.

- Megfelelő tisztítás nélkül az ételfröccsenések és a zsír felhalmozódhat a fűtőelem körül. Ez füstöt, tüzet és/vagy személyi sérülést okozhat.
- Túlméretezett élelmiszer- és/vagy fóliás csomagolást vagy eszközöket nem szabad a főzőedénybe helyezni, mivel ezek tüzet és/vagy sérülést okozhatnak.
- NE használja a készülék tartozékait más készülékekben, mikrohullámú sütőkben, kenyérpírókban, konvektoros vagy hagyományos sütőkben, elektromos, indukciós vagy gázfűzőkben, illetve szabadtéri grillezőben.
- Ne tegyen papírt, kartont, nem hőálló műanyagot vagy hasonló anyagokat a forrólevegős sütőbe. Használhat sütőpapírt vagy alumíniumfóliát.
- Semmilyen körülmények között ne tegyen sütőpapírt a forrólevegős sütőbe anélkül, hogy a sütőpapírra is helyezne ételt. A légmozgás miatt a papír felemelkedhet és hozzáérhet a fűtőelemekhez.
- Mindig hőálló edényeket használjon. Különösen óvatosan járjon el, ha nem fémből vagy üvegből készült edényeket használ.
- A sütő törmelékeltálcáját vagy bármely más alkatrészét ne fedje be fém fóliával. Ez a sütő túlmelegedését okozhatja.

CSATLAKOZÓDUGÓ ÉS KÁBEL

- A berendezés polarizált dugasszal van ellátva. Az áramütés veszélyének elkerülésének céljából a dugasz az aljzatba kizárólag egyféleképpen helyezhető be. Amennyiben a dugasz nem megy be teljes mélységével az aljzatba, akkor fordított irányból kell próbálkozni. Amennyiben ez a próbálkozás is sikertelen, kérjük, forduljon képzett villamossági szakemberhez. Ne próbálkozzon a dugasz semmilyen típusú módosításával.
 - A készülék tápkábele rövid, annak megelőzésére, hogy bármely személy belebotolhasson, vagy a kábel összegabalyodjon.
 - A hosszabbítók használata nem tilos, ha kellő gondossággal járnak el. Amennyiben hosszabbítót használ:
 1. A hosszabbító kábelen feltüntetett elektromos jellemzőknek legalább a készülék elektromos jellemzőivel azonosnak kell lenniük.
 2. A hosszú kábeleknak nem szabad az asztallap felett áthaladni, hogy a gyerekek ne húzassák le a berendezést, valamint ne lehessen megbotlani benne.
 3. Ne használja ugyanazt a hosszabbító kábelt más készülékekhez. NE használja a készüléket 220V~240V~ (50/60Hz) feszültségtől eltérő aljzatokban. NE használja a készüléket hálózati átalakítókkal vagy hálózati adapterekkel. NE engedje, hogy a tápkábel forró felületekkel vagy nyílt lángforrásokkal (pl. tűzhely) érintkezzen.
 - Olvassa el figyelmesen és teljes egészében ezt a használati utasítást, és őrizze meg a későbbi felhasználás céljából. A biztonsági utasítások be nem tartása súlyos sérülést vagy kárt okozhat.
 - A sérülések elkerülése érdekében olvassa el és győződjön meg arról, hogy megértette a jelen használati útmutatóban foglalt utasításokat, mielőtt megpróbálná használni a készüléket.
 - A fontos biztonsági óvintézkedések és/vagy a biztonságos használatra vonatkozó utasítások figyelmen kívül hagyása a készülékkel való visszaélésnek minősül, ami a garancia érvénytelenségét és súlyos sérülést eredményezhet.
 - A készülék kikapcsolásához fordítsa a kapcsológombot a „Kikapcsolva” helyzetbe, és húzza ki a dugaszt a csatlakozóaljzattól.
 - A jelen készüléket kizárólag háztartási célra tervezték.
 - A készüléket 8 év fölötti gyermekek, csökkent fizikai, érzéki vagy szellemi képességekkel, gyakorlattal vagy ismeretekkel rendelkezők csak akkor használhatják, ha felügyelik, vagy felkészítik őket a készülék biztonságos használatára, és ha megértik a készülék használatával járó veszélyeket. A készülék tisztítását és karbantartását nem végezhetik gyermekek felügyelet nélkül.
 - A készüléket nem külső időzítő vagy távirányítás segítségével történő használatra tervezték.
-  Figyelem! Forró felületek! Használat közben a készülék felületei felforrósodhatnak.

4. A TERMÉK LEÍRÁSA



	Megnevezés	Leírás
1	Funkciók	A 7 funkció bármelyike használható a felső vagy az alsó rekeszben a legkülönbézetűbb ételek elkészítéséhez. A hőmérséklet és az idő minden egyes funkcióhoz beállítható. A funkciók kiválasztásához vagy megváltoztatásához a gombot lehet megnyomni.
2	Kijelző	A főzési idő, a beállított hőmérséklet, a figyelmeztető üzenetek és a hibaüzenetek itt jelennek meg.
3	Rekeszkiválasztó gomb	Ha a gép készenléti állapotban van, nyomja meg az UPPER/LOWER (FELSŐ/ALSÓ) gombot a megfelelő rekesz kiválasztásához és beállításához.
4	Törlés	<ul style="list-style-type: none"> • A főzési funkció aktiválásához nyomja meg a megfelelő rekesz be/kikapcsoló gombját. • A megfelelő rekesz kiválasztott menüjelző lámpája kigyullad, a többi menüjelző lámpa pedig kialszik. • A megfelelő rekeszhez tartozó kijelzőn megjelenik a főzés időtartama.
5	UPPER (FELSŐ)	A FELSŐ rekesz kiválasztása után nyomja meg az UPPER gombot a megfelelő menü kiválasztásához. A kiválasztott funkció jelzőfénye villog, és a többi menüjelző világít. A kijelzőn megjelenik a menü hőmérséklete, ekkor megnyomhatja a FELSŐ rekesz start/pause (elindítás/szünetelés) gombját. A TIME/TEMP (idő/hőmérséklet) gombot is megnyomhatja a beállítási paraméterek kiválasztásához.
6	LIGHT (FÉNY)	Bármikor megnyomhatja a LIGHT (fény) gombot, hogy a felső és az alsó rekeszben lévő lámpát be- vagy kikapcsolja. Aktiválás után a kosár eltávolításával vagy a sütőajtó kinyitásával manuálisan kikapcsolhatja a lámpát. A lámpa 30 másodperc elteltével automatikusan kikapcsol.
7	LOWER (ALSÓ)	Az ALSÓ rekesz kiválasztása után nyomja meg a LOWER gombot a megfelelő menü kiválasztásához. A kiválasztott funkció jelzőfénye villog, és a többi menüjelző világít. A kijelzőn megjelenik a menü hőmérséklete, ekkor megnyomhatja a START/STOP gombot az ALSÓ rekeszhez. Amikor a rekesz működésbe lép, az IDŐ közvetlenül beállítható, vagy a TIME/TEMP (idő/hőmérséklet) gomb megnyomásával kiválaszthatja a beállítási paramétereket.

Üzenet	Leírás
00:15	A programozás során a kijelzőn megjelenik a beállított főzési idő. Főzés közben a kijelzőn a hátralévő főzési idő jelenik meg.
150 °C	A kijelzőn megjelenik a beállított hőmérséklet.
Turn Food	Bizonyos főzőprogramok esetében a kijelzőn megjelenik a „Turn Food” emlékeztető, amikor az ételt meg kell forgatni, megfordítani vagy fel kell rázni.
End	Az előkészítés befejeződött, és kiveheti a felső kosarat vagy az alsó tálcat.
Error	A felső rekesz nem működik megfelelően. Kérjük, lépjen kapcsolatba az ügyfélszolgálatbal.
Error	Az alsó rekesz nem működik megfelelően. Kérjük, lépjen kapcsolatba az ügyfélszolgálatbal.
OPEN	A felső rekesz kosarát eltávolították, vagy az alsó rekesz ajtaja nyitva van. Megjegyzés: Ha az egyik rekesz nyitva van, az adott rekesz gombjai nem használhatók.
Hold	Amíg a főzés befejezésének időzítési funkciója aktív, addig a rövidebb főzési idejű rekesz kijelzőjén a „HoLd” felirat jelenik meg, amíg mindkét rekesz hátralévő főzési ideje azonos nem lesz.

5. A TERMÉK HASZNÁLATA

- Ezek a sütési lehetőségek a sütés során az étel teljes aromáját megőrzik és roppanóságot adnak neki, nagyon kevés olajjal, vagy anélkül.
- Az alapértelmezett sütési idők és hőmérsékletek kiindulási pontként szolgálnak, amelyekkel kísérletezhet az Ön által előnyben részesített eredmény eléréséhez.
- Az egyes ételeknél feltüntetett funkció az optimális főzésre vonatkozó ajánlás. Bármelyik funkció használható a felső vagy az alsó kosárban.

JAVASLATOK

- A legjobb sütési eredmény elérése érdekében az ételeket mindig egyenletesen helyezze a rostélyos lemezre és a grilltálcára.
- Az ételek átfedése egyenetlen sütéshez vezethet.
- Ahhoz, hogy az étel ropogósabb legyen, sütés előtt kicsit bepermetezheti zsiradékkal.
- Ha a forrólevegős sütő több mint 10 percig ki volt kapcsolva, akkor a készülék visszatér készletlenti állapotba, és törli az összes meglévő beállítást.
- A legtöbb étel esetében a legjobb eredményt a sütési idő felénél történő megfordítás, megkeverés vagy átfordítás fogja elérni.
- Az idő és a hőmérséklet a sütési folyamat során bármikor beállítható.

Hozzávaló	Ajánlott funkció	Fagyasztott	Felső rekesz (kosár) beállítása				Alsó rekesz (sütő) beállítása			
			Mennyiség	Elkészítési hőmérséklet	Időtartam rekesz) (1	Időtartam rekesz) (2	Mennyiség	Elkészítési hőmérséklet	Időtartam rekesz) (1	Időtartam rekesz) (2
Szalmakrumpli	Air Fry	Igen	500 g	185 ° C	16 perc	24 perc	300 g	200 ° C	21 perc	27 perc
Csirke szárny	Air Fry	Igen	600 g	185 ° C	17 perc	21 perc	400 g	200 ° C	19 perc	22 perc
	Air Fry	Nem	600 g	185 ° C	14 perc	18 perc	400 g	200 ° C	17 perc	20 perc
Csirkecomb	Air Fry	Igen	1000 g	180 ° C	36 perc	42 perc	600 g	200 ° C	39 perc	43 perc
	Air Fry	Nem	1000 g	180 ° C	19 perc	23 perc	600 g	200 ° C	20 perc	24 perc
Dehidratált alma	Dehydrate	Nem	1 db.	90 ° C	120 perc	150 perc	1 db.	90 ° C	120 perc	150 perc
Marhahúsos burger	Grill	Igen	1 db.	175 ° C	8 perc	11 perc	1 db.	175 ° C	8 perc	11 perc
Bagel	Bagel	Nem	2 félbevágott percc	185 ° C	3 perc	5 perc	2 félbevágott percc	185 ° C	4 perc	6 perc
Spárga	Roast	Nem	400 g	180 ° C	10 perc	14 perc	300 g	195 ° C	12 perc	14 perc
Csirkemell	Air Fry	Igen	500 g	180 ° C	37 perc	39 perc	500 g	200 ° C	37 perc	39 perc
	Air Fry	Nem	500 g	180 ° C	21 perc	22 perc	500 g	200 ° C	21 perc	22 perc
Csirkemell	Toast	Nem	4 szelet	180 ° C	6 perc	10 perc	4 szelet	200 ° C	6 perc	8 perc
Panírozott csirke	Air Fry	Igen	2 db.	185 ° C	13 perc	18 perc	2 db.	200 ° C	15 perc	20 perc
Panírozott hal	Air Fry	Igen	300 g	185 ° C	13 perc	18 perc	300 g	200 ° C	15 perc	20 perc
Panírozott garnélarák	Air Fry	Igen	200 g	185 ° C	9 perc	13 perc	200 g	200 ° C	11 perc	15 perc
Pírtott kenyérrudacskák	Toast	Igen	130 g	175 ° C	5-9 perc	6-10 perc	130 g	195 ° C	6-10 perc	6-10 perc
Kelbimbó	Air Fry	Nem	400 g	190 ° C	9-12 perc	16-24 perc	400 g	200 ° C	12-18 perc	16-22 perc
Csokoládé darabos sütik	Bake	Nem	90 g	160 ° C	8-13 perc	9-15 perc	90 g	175 ° C	9-15 perc	9-16 perc
Pepperonis pizza	Bake	Igen	23 cm	165 ° C	10 perc	17 perc	23 cm	170 ° C	13 perc	18 perc

FIGYELEM

- A tűz, az anyagi kár és a személyi sérülés veszélyének elkerülése érdekében NE permetezzen étolajat a sütőedénybe.
- Soha ne tegyen semmilyen tárgyat a forró légsütő tetejére.

A készülék javítását kizárólag engedélyezett szervíz képviselője végezheti.

FIGYELMEZTETÉS

- Megfelelő tisztítás nélkül az ételfröccsenések és a zsír felhalmozódhat a fűtőelem körül. Ez füstöt, tüzet és személyi sérülést okozhat.
- Ha füstöt észlel vagy érez, érintse meg a „Cancel” gombot, válassza le a készüléket az áramforrásról, és hagyja kihűlni. Távolítsa el az ételmaradékot és a zsírt egy puha ruhával és mosogatószerrel.

6. TISZTÍTÁS

- Minden használat után tisztítsa meg a kosarat, a rostélylemezt és a grilltálcát.
- Tisztítás előtt mindig húzza ki a forrólevegős sütő bilincset az áramforrásból, és hagyja, hogy a készülék szobahőmérsékletűre hűljön. Semmiképpen ne használjon erős tisztítószereket, drótszivacsot vagy tisztítóport egyik alkatrészen sem.
- Használat vagy tárolás előtt minden felületet hagyjon alaposan megszáradni.

Tartozék vagy kiegészítő	Tisztítási módszer
Felső kosár	<ul style="list-style-type: none"> • Tisztítsa meg a sütőkosarat szivaccsal vagy súrolóbetéttel és meleg vízzel, mosogatószerrel, majd alaposan öblítse le. Győződjön meg róla, hogy minden zsírt és ételmaradékot eltávolított. • NE tegye a kosarat vízbe vagy más folyadékba. • NE tisztítsa a mosogatógépben.
Grilltálca	<ul style="list-style-type: none"> • Tisztítsa meg a grilltálcát súrolószivaccsal vagy szivaccsal és langyos mosogatószeres vízzel. • A grilltálca tapadásmentes bevonattal rendelkezik. A tapadásmentes bevonat károsodásának elkerülése érdekében NE használjon fém tisztítóeszközöket. • NE tisztítsa a mosogatógépben.
Rostélylemez	<ul style="list-style-type: none"> • Tisztítsa meg a rostélylemezt mosogatószerrel vagy szivaccsal és meleg vízzel, valamint mosogatószerrel. • A rostélylemez tapadásmentes bevonattal rendelkezik. A tapadásmentes bevonat károsodásának elkerülése érdekében NE használjon fém tisztítóeszközöket. • NE tisztítsa a mosogatógépben.
Lefolyó tálca	<ul style="list-style-type: none"> • Tisztítsa meg a csepegtető tálcát egy mosogatórongy vagy szivacs és meleg víz, valamint mosogatószeres mosogatószer segítségével. • A csepegtetőtálca tapadásmentes bevonattal rendelkezik. A tapadásmentes bevonat károsodásának elkerülése érdekében NE használjon fém tisztítóeszközöket. • NE tisztítsa a mosogatógépben.
Felső rekesz/Alsó rekesz	<ul style="list-style-type: none"> • Tisztítsa meg a főzőrekeszt súrolószerezrel vagy szivaccsal és meleg vízzel, valamint mosogatószerrel. • A zsíradék és ételmaradékok eltávolításához a főzőrekeszből fújja be szódadibikarbóna és ecet keverékével, majd nedves ruhával törölje le. • Makacs szennyeződések esetén hagyja a keveréket néhány percre hatni az érintett területen, mielőtt lesúrolja a szennyeződést. • Ellenőrizze a fűtőelemet, hogy nincsenek-e rajta olajfröccsenések és ételmaradékok. Ha szükséges, nedves ruhával tisztítsa meg a fűtőelemet. <p>A készülék következő használata előtt győződjön meg róla, hogy a fűtőelem teljesen száraz.</p> <ul style="list-style-type: none"> • NE tisztítsa a mosogatógépben.
Külső	<ul style="list-style-type: none"> • Tisztítsa meg a külsejét puha, nedves ruhával, majd törölje tisztára.
Kosár betekintő ablak/ Sütő betekintő ablak	<ul style="list-style-type: none"> • Tisztítsa meg a látóablakok belső és külső felületét mosogatószerrel vagy szivaccsal, meleg vízzel és mosogatószerrel. NE használjon fém tisztítóeszközöket.

FIGYELMEZTETÉS

- Megfelelő tisztítás nélkül az ételfröccsenések és a zsír felhalmozódhat a fűtőelem körül. Ez füstöt, tüzet és személyi sérülést okozhat.
- Ha füstöt észlel vagy érez, érintse meg a „Cancel” gombot, válassza le a készüléket az áramforrásról, és hagyja kihűlni. Távolítsa el az ételmaradékot és a zsírt egy puha ruhával és mosogatószerrel.

7. HIBAEHÁRÍTÁS

A készülék használata során hibák és meghibásodások fordulhatnak elő. Az alábbi táblázat a hibaelhárításhoz vagy a hiba elhárításához szükséges okokat és lehetséges megoldásokat tartalmazza. Javasoljuk, hogy figyelmesen olvassa el az alábbi táblázatban szereplő információkat, hogy időt és pénzt takarítson meg, amelyre egy javítóközpont hívása esetén szükség lehet.

Probléma	Ok	Megoldás
Az étel túl meg van főzve/sütve	A főzési hőmérséklet túl magas.	Ellenőrizze a sütési hőmérsékletet, és ennek megfelelően állítsa be a hőmérsékletet.
	A főzési idő túl hosszú.	Ellenőrizze a sütési hőmérsékletet, és ennek megfelelően állítsa be a hőmérsékletet.
Az ételek nem eléggé átsültek	A főzési hőmérséklet túl alacsony.	Ellenőrizze a sütési hőmérsékletet, és ennek megfelelően állítsa be a hőmérsékletet.
	Az elkészítési idő túl rövid.	Ellenőrizze a sütési hőmérsékletet, és ennek megfelelően állítsa be a hőmérsékletet.
	A sütőkosár túl van töltve.	Ügyeljen arra, hogy a sütőkosár ne legyen zsúfolásig megtöltve; hagyjon 3-4 cm helyet, hogy a levegő keringhessen.
	A tartó nem a sütőkosár aljára volt felszerelve, ami megakadályozta a levegő keringését.	Győződjön meg róla, hogy a tartó a sütőkosár aljára van felszerelve.
A készülék nem indul el	A forrólevegős sütő nem elektromos árammal működik.	Ellenőrizze, hogy a csatlakozó megfelelően van-e behelyezve a foglalatba, és hogy a foglalat működik-e.
	A sütőkosár nincs behelyezve vagy nincs teljesen a készülékbe tolvá.	Győződjön meg róla, hogy a sütőkosár teljesen van behelyezve és benyomva.
	Leszökött a biztosíték.	Ellenőrizze a biztosítékot úgy, hogy kicseréli egy új, azonos jellemzőkkel rendelkező készülékre.
Égett szag jön a készülékből	Az étel az állvány alatt rekedt.	Győződjön meg róla, hogy a sütőkosár és a sütőállvány tiszta.
	Az étel a sütőkosárban/rácson maradt.	

SZERVIZ ÉS ÜGYFÉLSZOLGÁLAT

Csak eredeti cserealkatrészeket használjon.

Mielőtt felvenné a kapcsolatot az engedélyezett szakszervizünkkel, győződjön meg róla, hogy a következő adatok a rendelkezésére állnak: Modell megnevezése és sorozatszám.

Ezeket az adatokat a készülék műszaki adattábláján találja. Ezek az adatok előzetes értesítés nélkül is megváltoztathatók.

MŰSZAKI ADATOK

Tápfeszültség	220-240V~50/60Hz
Teljesítmény	1500-1850W
Űrtartalom	11 L
Hőmérséklet	40-230 °C

Köszönjük, hogy megvásárolta termékünket! Ha segítségre van szüksége a termékkel kapcsolatban, kérjük, látogasson el weboldalunkra az alábbi linkek segítségével.

Használati útmutatók beszerzése: <https://www.heinner.ro>

Javítási információk letöltése: <https://www.heinner.ro>



A hulladékok környezetfelelős eltávolítása

Segíthet a környezet védelmében!

Kérjük, tartsa be a helyi rendelkezéseket: a nem működő elektromos berendezéseket a használt elektromos hulladékokat gyűjtő központba szolgáltatassa be.



A **HEINNER** a **Network One Distribution SRL(KFT)** társaság által bejegyzett védjegy. A többi márkajelzés és a termékek megnevezése kereskedelmi vagy az illető birtoklók által bejegyzett márkanevek.

A leírtak egyetlen része sem használható fel semmilyen formában, még lefordított, átalakított változatban sem, a NETWORK ONE DISTRIBUTION előzetes beleegyezése nélkül.

Copyright © 2013 Network One Distribution. Minden jog fenntartva.

www.heinner.com, <http://www.nod.ro>



A terméket az Európai Közösség előírásainak és jogszabályainak megfelelően tervezték és gyártották.



Importőr: **Network One Distribution**

Marcel Iancu utca, 3-5 szám, Bukarest (București), Románia

Tel: +40 21 211 18 56, www.heinner.com, www.nod.ro