

# CHEST FREEZER

Model:

HCF-HM100CE++/HCF-HM100CSE++/HCF-HM100CBKE++  
HCF-HM145CE++/HCF-HM145CSE++/HCF-HM145CBKE++



- Total capacity: 98/142 L
  - Energy class: E

**HEINNER**

## 1. INTRODUCTION

Please read the instructions carefully and keep the manual for future information.

This manual is designed to give all necessary instructions concerning installation, use and maintenance of the unit. In order to operate the unit correctly and safely, please read this instruction manual carefully before installation and use.

## 2. CONTENT OF YOUR PACKAGE

- ➔ **Chest freezer**
- ➔ **User manual**
- ➔ **Certificate of warranty**

## 3. SAFETY INFORMATION

In the interest of your safety and to ensure the correct use, before installing and first using the appliance, read this user manual carefully, including its hints and warnings. To avoid unnecessary mistakes and accidents, it is important to ensure that all people using the appliance are thoroughly familiar with its operation and safety features. Save these instructions and make sure that they remain with the appliance if it is moved or sold, so that everyone using it through its life will be properly informed on appliance use and safety. For the safety of life and property keep the precautions of these user's instructions as the manufacturer is not responsible for damages caused by omission.

### Children and vulnerable people safety

This appliance is not intended for use by persons (including children) with reduced physical, sensory or mental capabilities, or lack of experience and knowledge, unless they have been given supervision or instruction concerning use of the appliance by a person responsible for their safety.

Keep all packaging away from children as there is risk of suffocation.

If you are discarding the appliance, pull the plug out of the socket, cut the connection cable (as close to the appliance as you can) and remove the door to prevent children playing from suffering an electric shock or from closing themselves inside it.

If this appliance, featuring a magnetic door seals, is to replace an older appliance having a spring lock (latch) on the door or lid, be sure to make the spring lock unusable before you discard the old appliance. This will prevent it from becoming a death trap for a child.

Children aged from 3 to 8 years are allowed to load and unload refrigerating appliances (this clause applies only to the EU region).

Children should be supervised to ensure that they do not play with the appliance.

Cleaning and user maintenance shall not be made by children unless they are aged from 8 years and above and supervised.

**DANGER:** Risk of child entrapment. Before you throw away your old appliance:

Take off the doors.

Leave the shelves in place so that children may not easily climb inside.

Cut the connection cable (as close to the appliance as you can).

If this appliance featuring magnetic door seals is to replace an older appliance having a spring lock (latch) on the door or lid, be sure to make that spring lock unusable before you discard the old appliance. This will prevent it from becoming a death trap for a child. **Warning!** Keep ventilation opening, in the appliance enclosure or in the built-in structure, clear of obstruction.

**Warning!** Do not use mechanical devices or other means to accelerate the defrosting process, other than those recommended by the manufacturer.

**Warning!** Do not damage the refrigerant circuit.

**Warning!** Do not use other electrical appliances (such as ice cream makers) inside of refrigerating appliances, unless they are approved for this purpose by the manufacture.

Do not store explosive substances such as aerosol cans with a flammable propellant in this appliance.

During transportation and installation of the appliance, be certain that none of the components of the refrigerant circuit become damaged.

Avoid open flames and sources of ignition;

Thoroughly ventilate the room in which the appliance is situated.

It is dangerous to alter the specifications or modify this product in any way.

Any damage to the cord may cause a short circuit, fire and/or electric shock.

This appliance is intended to be used in household and similar applications such as:

- Staff kitchen areas in shops, offices and other working environments;
- Farm houses and by clients in hotels, motels and other residential type environments;
- Bed and breakfast type environments;
- Catering and similar non-retail applications.

Warning! Any electrical components (plug, power cord, compressor etc.) must be replaced by a certified service agent or qualified service personnel.

**DO NOT USE AN EXTENSION CORD.** Use an exclusive wall outlet. Do not connect your freezer to extension cords or in an outlet used by any other appliance.

Make sure that the power plug is not squashed or damaged by the back of the appliance. A squashed or damaged power plug may overheat and cause a fire.

Make sure that you can come to the mains plug of the appliance.

Do not pull the mains cable.

If the power plug socket is loose, do not insert the power plug. There is a risk of electric shock or fire.

You must not operate the appliance without the lamp.

This appliance is heavy. Care should be taken when moving it.

Do not remove nor touch items from the freezer if your hands are damp/wet, as this could cause skin abrasions or frost/freezer burns.

Avoid prolonged exposure of the appliance to direct sunlight.

Do not pull the main cable.

The fridge is only applied with power supply of single phase alternating current of 220~240V/50Hz. If fluctuation of voltage in the district of user is so large that the voltage exceeds the above scope, for safety sake, be sure to apply A.C. Automatic voltage regulator of more than 350W to the fridge. The fridge must employ a special power socket instead of common one with other electric appliances. Its plug must match the socket with ground wire.

**WARNING!** The refrigerant and insulation blowing gas are flammable. When disposing of the appliance, do so only at an authorized waste disposal centre. Do not expose to flame.

**WARNING!** When positioning the appliance, ensure the supply cord is not trapped or damaged.

**WARNING!** Do not locate multiple portable socket-outlets or portable power supplies at the rear of the appliance.

**WARNING!** The illuminating lamps must not be replaced by the user! If the illuminating lamps is damaged, contact the customer helpline for assistance. This warning is only for refrigerators that contain illuminating lamps.

## Refrigerant

The refrigerant isobutene (R-600a) is contained within the refrigerant circuit of the appliance, a natural gas with a high level of environmental compatibility, which is nevertheless flammable. During transportation and installation of the appliance, ensure that none of the components of the refrigerant circuit becomes damaged. The refrigerant (R-600a) is flammable.

**WARNING!** Refrigerators contain refrigerant and gases in the insulation. Refrigerant and gases must be disposed of professionally as they may cause eye injuries or ignition. Ensure that tubing of the refrigerant circuit is not damage

prior to proper disposal.



**WARNING!** Risk of fire

If the refrigerant circuit should be damaged:

- Avoid opening flames and sources of ignition.
- Thoroughly ventilate the room in which the appliance is situated.



**WARNING!** During using, service and disposal the appliance, please pay attention to symbol similar as left side, which is located on rear of appliance (rear panel or compressor) and with yellow or orange color. It's risk of fire warning symbol. There are flammable materials in refrigerant pipes and compressor. Please be far away fire source during using, service and disposal.

## 4. DAILY USE

Do not put hot food in the appliance.

Frozen food must not be re-frozen once it has been thawed out.

Store pre-packed frozen food in accordance with the frozen food manufacture's instructions.

Appliance's manufactures storage recommendations should be strictly adhered to. Refer to relevant instructions.

Do not place carbonated or fizzy drinks in the freezer as it creates pressure on the container, which may cause it to explode, resulting in damage to the appliance.

Ice lollies can cause frost burns if consumed straight from the appliance.

## 5. CARE AND CLEANING

Before maintenance, disconnect the mains plug from the mains socket.

Do not clean the appliance with metal objects.

Do not use sharp objects to remove frost from the appliance. Use a plastic scraper.

Regularly examine the drain in the freezer for defrosted water. If necessary, clean the drain.

### Cleaning the interior

Before using the appliance for the first time, wash the interior and all internal accessories with lukewarm water and some neutral soap so as to remove the typical smell of a brand new product, then dry thoroughly. Important! Do not use detergents or abrasive powders, as these will damage the finish.

## 6. INSTALLATION

### Important!

For electrical connection carefully follow the instructions given in specific paragraphs.

Unpack the appliance and check if there are damages on it. Do not connect the appliance if it is damaged.

Report possible damages immediately to the place you bought it. In that case retain packing.

It is advisable to wait at least four hours before connecting the appliance to allow the oil to flow back in the compressor.

Adequate air circulation should be around the appliance, lacking this leads to overheating. To achieve sufficient ventilation, follow the instructions relevant to installation.

Wherever possible the spacers of the product should be against a wall to avoid touching or catching warm parts (compressor, condenser) to prevent possible burn.

The appliance must not be located close to radiators or cookers.

Make sure that the mains plug is accessible after the installation of the appliance.

## 7. SERVICE AND ENERGY SAVING

Any electrical work required to do the servicing of the appliance should be carried out by a qualified electrician or competent person.

This product must be serviced by an authorized Service Center, and only genuine spare parts must be used.

Don't put hot food in the appliance.

Don't pack food close together as this prevents air circulating.

Make sure food don't touch the back of the compartment(s).

If electricity goes off, don't open the door(s).

Don't open the door(s) frequently.

Don't keep the door(s) open for too long time.

Don't set the thermostat on exceeding cold temperatures.

All accessories, such as drawers, shelves, door balconies should be kept in original place for lower energy consumption.

## 8. ENVIRONMENT PROTECTION

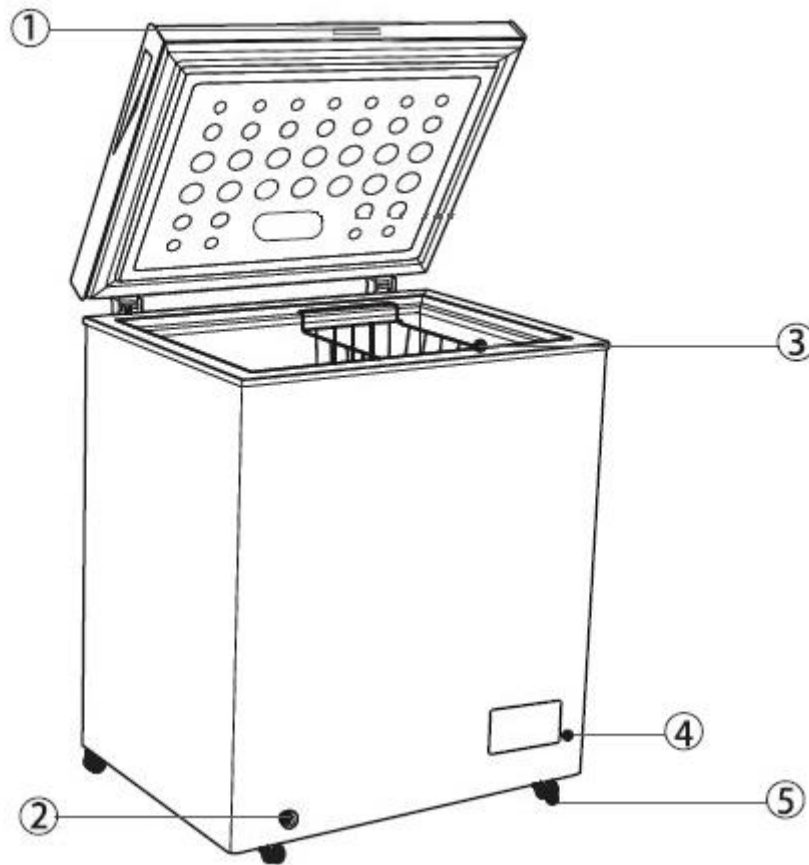
### Packaging materials

The materials with the symbol are recyclable. Dispose the packaging in a suitable collection containers to recycle it.

### Disposal of the appliance

1. Disconnect the mains plug from the mains socket.
2. Cut off the mains cable and discard it.

## 9. PRODUCT DESCRIPTION



1. Handle	4. Thermostat control panel
2. Drain hole	5. Wheel
3. Basket	

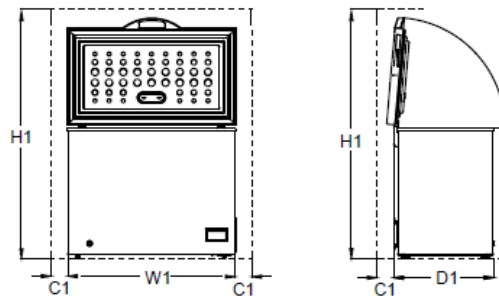
To get the best energy efficiency of this product, please place all shelves, drawers on their original position as the illustration.

This illustration is only for hinting, the detail please check your appliance.

**Note:** This refrigerating appliance is not intended to be used as a built-in appliance. Above picture is for reference only. Real appliance probably is different.

## 10. DAILY USE

### Space requirement



Model	W1 / mm (Product width)	D1 / mm (Product depth)	H1 / mm (Minimum height)	C1 / mm (Minimum clearance)
HCF-HM100CE++ HCF-HM100CSE++ HCF-HM100CBKE++	545	545	845	100
HCF-HM145CE++ HCF-HM145CSE++ HCF-HM145CBKE++	705	545	845	100

### Positioning

Installing this appliance at a location where the ambient temperature corresponds to the climate class indicated on the rating plate of the appliance:

- extended temperate: this refrigerating appliance is intended to be used at ambient temperatures ranging from 10 °C to 32 °C (SN);
- temperate: this refrigerating appliance is intended to be used at ambient temperatures ranging from 16 °C to 32 °C (N);
- subtropical: this refrigerating appliance is intended to be used at ambient temperatures ranging from 16 °C to 38 °C (ST);
- tropical: this refrigerating appliance is intended to be used at ambient temperatures ranging from 16 °C to 43 °C (T);

### Location

The appliance should be installed well away from sources of heat such as radiators, boilers, direct sunlight etc. Ensure that air can circulate freely around the back of the cabinet. To ensure best performance, if the appliance is positioned below an overhanging wall unit, the minimum distance between the top of the cabinet and the wall unit must be at least 100 mm. Ideally, however, the appliance should not be positioned below overhanging wall units. Accurate leveling is ensured by one or more adjustable feet at the base of the cabinet.

This refrigerating appliance is not intended to be used as a built-in appliance.

Warning! It must be possible to disconnect the appliance from the mains power supply; the plug must therefore be easily accessible after installation.

### Electrical connection

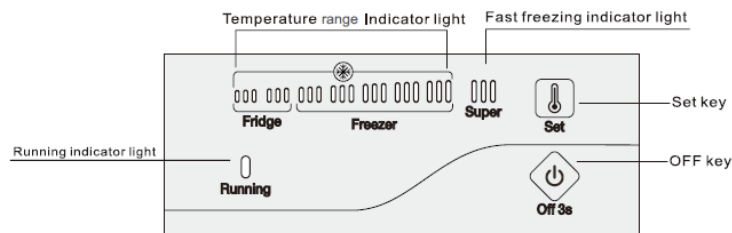
Before plugging in, ensure that the voltage and frequency shown on the rating plate correspond to your domestic power supply. The appliance must be earthed. The power supply cable is provided with a contact

for this purpose. If the domestic power supply socket is not earthed, connect the appliance to a separate earth in compliance with current regulations, consulting a qualified electrician. The manufacturer declines all responsibility if the above safety precautions are not observed.

## Cleaning the interior

Before using the appliance for the first time, wash the interior and all internal accessories with lukewarm water and some neutral soap so as to remove the typical smell of a brand new product, then dry thoroughly. Important! Do not use detergents or abrasive powders, as these will damage the finish.

## Temperature setting



### The current is switched on

All LED lamps light on 1 second when the current is switched on, then running on the original setting mode before switched off.

### The temperature setting

Press 'SET' key to adjust the temperature. Press once, temperature range LED indicator will be light on. It can be cycling setting, after 5 seconds, the electronic thermostat can confirm the settings automatically.

When all temperature range LED indicators are light on, press the 'SET' key, the SUPER LED indicator will be light on after 5 seconds, the fast freezing mode is activated. Press 'SET' key again, the SUPER LED indicator will light off, then turn to the Fridge mode.

### The recommendations of the users setting

- Fridge mode recommendation



- Freezer mode recommendation



- Fast freezing mode



### LED indicator status:

Temperature range LED indicator (Blue color):

- Fridge range (1,2 level)
- Freezer range (3,4,5,6,7 level)

**Fast freezing LED indicator (Blue color):** On Fast freezing mode, LED light on. Turn off Fast freezing mode, LED light off.

**Running LED indicator (Green color):** Compressor running, LED light on. Compressor stopped, LED light off.

**After each operation is finished for 30 minutes, LED indicator will light slightly.**

**Power off memory function:** When the power of chest freezer is switched on again, it will automatically run according to the mode setting before the power off .

**OFF 3's:** The power of chest freezer is switched off after press "OFF 3s" key for 3 seconds.



## Temperature setting

The freezer compartment is suitable for freezing fresh food and storing frozen and deep-frozen food for a long time.

Place the fresh food to be frozen in the bottom compartment.

The maximum amount of food that can be frozen in 24 hours is specified on the rating plate.

The freezing process lasts 24 hours: during this period do not add other food to be frozen.

## Storing frozen food

When first starting-up or after a period out of use. Before putting the product in the compartment let the appliance run at least 2 hours on the higher settings.

Important! In the event of accidental defrosting, for example the power has been off for longer than the value shown in the technical characteristics chart under „rising time“, the defrosted food must be consumed quickly or cooked immediately and then re-frozen (after cooked).

## Thawing

Deep-frozen or frozen food, prior to be used, can be thawed in a fridge compartment or at room temperature, depending on the time available for this operation.

Small pieces may be even cooked still frozen, directly from the freezer. In this case, cooking will take longer.

## Helpful hints and tips / Hints for freezing

To help you make the most of the freezing process, here are some important hints:

The maximum amount of food that can be frozen in 24 hours is specified on the rating plate.

The freezing process takes 24 hours. No further food to be frozen should be added during this period;

To start the SUPPER function 24 hours before placing food in appliance can help the best freezing capacity;

Only freeze top quality, fresh and thoroughly cleaned, foodstuffs;

Prepare food in small portions to enable it to be rapidly and completely frozen and to make it possible subsequently to thaw only the quantity required;

Wrap up the food in aluminium foil or polythene and make sure that the packages are airtight;

Do not allow fresh, unfrozen food to touch food which is already frozen, thus avoiding a rise in temperature of the latter;

Lean foods store better and longer than fatty ones; salt reduces the storage life of food;

Water ices, if consumed immediately after removal from the freezer, can possibly cause the skin to be freeze burnt;

It is advisable to show the freezing in date on each individual pack to enable you removal from the freezer, can possibly cause the skin to be freeze burnt.

## Winter security function (Freezing protection)

The cold protection is the ability of the cold storage to operate at temperatures of -15 degrees Celsius, being a technical feature that derives from the construction of the appliance. This is not related to the climatic class of the product and can be activated from the control panel by setting the temperature to MAX. After this setting, the compressor starts operating at temperatures up to -15 degrees Celsius.

## Hints for storage of frozen food

To obtain the best performance from this appliance, you should:

Make sure that the commercially frozen foodstuffs were adequately stored by the retailer;

Be sure that frozen foodstuffs are transferred from the food store to the freezer in the shortest possible time;

Not open the door frequently or leave it open longer than absolutely necessary.

Once defrosted, food deteriorates rapidly and cannot be refrozen.

Do not exceed the storage period indicated by the food manufacture.

To avoid contamination of food, please respect the following instructions:

- Opening the door for long periods can cause a significant increase of the temperature in the compartments of the appliance.
- Clean regularly surfaces that can come in contact with food and accessible drainage systems.
- Two-star frozen-food compartments are suitable for storing pre-frozen food, storing or making ice cream and making ice cubes.
- One-, two- and three-star compartments are not suitable for the freezing of fresh food.

Note: Please store different foods according to the compartments or target storage temperature of your purchased products.

- If the appliance is left empty for long periods, switch off, defrost, clean, dry, and leave the door open to prevent mould developing within the appliance.
- When refrigerating food, please be careful not to contact the surface of the inner box directly.
- When frozen food, in order to prevent moisture loss, prevent the odor, should separate the different food sealed storage, and can only waterproof sealing material.
- Hot food should be cooled to room temperature first, then put into the freezer, otherwise it will affect the storage status of other foods and increase the power consumption.

Order	Compartments TYPE	Target storage temp.[°C]	Appropriate food
1	Fridge	+2≤+6	Eggs, cooked food, packaged food, fruits and vegetables, dairy products, cakes, drinks and other foods are not suitable for freezing.
2	(***)*-Freezer	≤-18	Seafood (fish, shrimp, shellfish), freshwater aquatic products and meat products (recommended for 3 months, the longer the storage time, the worse the taste and nutrition), suitable for frozen fresh food.
3	***-Freezer	≤-18	Seafood (fish, shrimp, shellfish), freshwater aquatic products and meat products (recommended for 3 months, the longer the storage time, the worse the taste and nutrition), are not suitable for frozen fresh food.
4	**-Freezer	≤-12	Seafood (fish, shrimp, shellfish), freshwater aquatic products and meat products (recommended for 2 months, the longer the storage time, the worse the taste and nutrition), are not suitable for frozen fresh food.
5	*-Freezer	≤-6	Seafood (fish, shrimp, shellfish), freshwater aquatic products and meat products (recommended for 1 months, the longer the storage time, the worse the taste and nutrition), are not suitable for frozen fresh food.

## 11. CLEANING AND DEFROSTING THE FREEZER

For hygienic reasons the appliance interior, including interior accessories, should be cleaned regularly.

**Caution!** The appliance may not be connected to the mains during cleaning.

**Danger of electrical shock!** Before cleaning switch the appliance off and remove the plug from the mains, or switch off or turn out the circuit breaker or fuse. Never clean the appliance with a steam cleaner. Moisture could accumulate in electrical components. Hot vapors can lead to the damage of plastic parts. The appliance must be dry before it is placed back into service.

**Important!** Ethereal oils and organic solvents can attack plastic parts, e.g. lemon juice or the juice from orange peel, butyric acid, cleanser that contain acetic acid. Do not allow such substances to come into contact the appliance parts.

Do not use any abrasive cleaners

Remove the food from the freezer. Store them in a cool place, well covered.

Switch the appliance off and remove the plug from the mains, or switch off or turn out the circuit breaker of fuse.

Clean the appliance and the interior accessories with a cloth and lukewarm water.

After cleaning wipe with fresh water and rub dry.

After everything is dry place appliance back into service.

## Defrosting

The freezer, however, will become progressively covered with frost. This should be removed.

Never use sharp metal tools to scrape off frost from the evaporator as you could damage it.

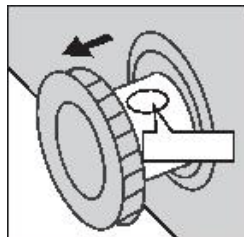
However, when the ice becomes very thick on the inner liner, complete defrosting should be carried out as follows:

Unplug the unit. Remove the drain plug from the inside of the freezer. Defrosting usually takes a few hours.

To defrost faster keep the freezer door open.

For draining, place a tray beneath the outer drain plug.

Pull out the drain dial .



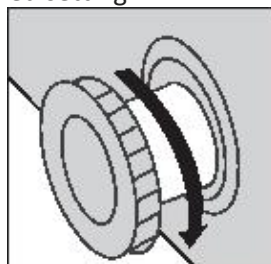
Rotate the drain dial 180 degree. This will let the water flow out in the tray.

When done, push the drain dial in. Re-plug the drain plug inside the freezer.

Note: Monitor the container under the drain to avoid overflow.

Wipe the interior of the freezer and replace the electrical plug in the electrical outlet.

Reset the temperature control to the desired setting.



## 12. TROUBLESHOOTING

**Caution!** Before troubleshooting, disconnect the power supply. Only a qualified electrician of competent person must do the troubleshooting that is not in this manual.

**Important!** There are some sounds during normal use (compressor, refrigerant circulation).

Problem	Possible Cause	Solution
Appliance does not work	Mains plug is not plugged in or is loose	Insert mains plug
	Fuse has blown or is defective	Check fuse, replace if necessary
	Socket is defective	Mains malfunctions are to be corrected by an electrician.
The food is too warm	Temperature is not properly adjusted.	Please look in the initial Temperature Setting section
	Door was open for an extended period	Open the door only as long as necessary
	A large quantity of warm food was placed in the appliance within the last 24 hours	Turn the temperature regulation to a colder setting temporarily.
	The appliance is near a heat source	Please look in the installation location section
Appliance freezes too much	Temperature is set too cold	Turn the temperature regulation knob to a warmer setting temporarily
Unusual noises	The appliance is touching the wall or other objects.	Move the appliance slightly
	A component, e.g. a pipe, on the rear of the appliance is touching another part of the Appliance or the wall	If necessary, carefully bend the component out of the way.
Heavy build-up of frost on the door seal.	Door seal is not air-tight	Carefully warm the leaking sections of the door seal with a hair drier (on a cool setting). At the same time shape the warmed door seal by hand such that it sits correctly.

If the malfunction shows again, contact the Service Center.

These data are necessary to help you quickly and correctly. Write the necessary data here, refer to the rating plate.

## CUSTOMER CARE AND SERVICE

Always use original spare parts.

When contacting our Authorised Service Centre, ensure that you have the following data available: Model and Serial Number.

The information can be found on the rating plate. Subject to change without notice.

## TECHNICAL DATA

The technical information is situated in the rating plate on the internal side of the appliance and on the energy label.

The QR code on the energy label supplied with the appliance provides a web link to the information related to the performance of the appliance in the EU EPREL database.

Keep the energy label for reference together with the user manual and all other documents provided with this appliance.

It is also possible to find the same information in EPREL using the link <https://eprel.ec.europa.eu> and the model name and product number that you find on the rating plate of the appliance.

To access information about your product in the EPREL portal, you can scan the codes below:



Thank you for purchasing this product. If you need support with your product, visit our website using the links below.

Get User manuals: <https://www.heinner.ro>

Get Service information: <https://www.heinner.ro>



### Environment friendly disposal

You can help protect the environment!

Please remember to respect the local regulations: hand in the non-working electrical equipment's to an appropriate waste disposal center.



**HEINNER** is a registered trademark of **Network One Distribution SRL**. Other brands and product names are trademarks or registered trademarks of their respective holders.

No part of the specifications may be reproduced in any form or by any means or used to make any derivative such as translation, transformation, or adaptation without permission from NETWORK ONE DISTRIBUTION.

Copyright © 2013 Network One Distribution. All rights reserved.

[www.heinner.com](http://www.heinner.com), <http://www.nod.ro>



This product is in conformity with norms and standards of European Community



Importer: **Network One Distribution**

Marcel Iancu Street, 3-5, Bucharest, Romania

Tel: +40 21 211 18 56, [www.heinner.com](http://www.heinner.com) , [www.nod.ro](http://www.nod.ro)

# LADĂ FRIGORIFICĂ

Model:

**HCF-HM100CE++/HCF-HM100CSE++/HCF-HM100CBKE++**

**HCF-HM145CE++/HCF-HM145CSE++/HCF-HM145CBKE++**



- Capacitate totală: 98/142 L
- Clasa de eficiență energetică: E

**HEINNER**

## 1. INTRODUCERE

Vă rugăm să citiți instrucțiunile cu atenție și să păstrați manualul pentru consultări ulterioare. Acest manual are scopul de a vă oferi toate instrucțiunile necesare cu privire la instalarea, utilizarea și întreținerea aparatului. Pentru utilizarea corectă și în siguranță a aparatului, vă rugăm să citiți cu atenție acest manual de instrucțiuni înainte de instalare și utilizare.

## 2. CONȚINUTUL PACHETULUI DUMNEAVOASTRĂ

- ➔ **Ladă frigorifică**
- ➔ **Manual de utilizare**
- ➔ **Certificat de garanție**

## 3. INFORMAȚII PRIVIND SIGURANȚĂ

Pentru siguranța dumneavoastră și pentru a asigura utilizarea corectă, înainte de instalarea și prima folosire a aparatului, citiți acest manual de utilizare, inclusiv sfaturile și avertismentele. Pentru a evita greșeli și accidente inutile, este important să vă asigurați că toate persoanele care folosesc aparatul sunt complet familiarizate cu caracteristicile sale de funcționare și siguranță. Salvați aceste instrucțiuni și asigurați-vă că rămân împreună cu aparatul dacă acesta este mutat sau vândut, astfel încât oricine îl folosește pe parcursul duratei sale de viață să fie corect informat de utilizarea și siguranța aparatului. Pentru siguranța vieții și proprietăților, luați măsurile de precauție prevăzute de aceste instrucțiuni de utilizare, producătorul nefiind responsabil pentru daunele cauzate prin omisiune.

### Siguranța copiilor și a persoanelor vulnerabile

Aparatul nu este destinat utilizării de către persoane (inclusiv copii) care au capacități fizice, senzoriale sau mentale reduse, sau cărora le lipsesc experiența și cunoștințele necesare, decât dacă sunt supravegheate sau au fost instruite cu privire la utilizarea aparatului de către o persoană care răspunde pentru siguranța acestora.

Nu lăsați ambalajele la îndemâna copiilor. Pericol de asfixiere.

Pentru a evita situațiile în care copiii se pot electrocuta sau închide în interiorul aparatului, înainte de a-l arunca, scoateți ștecărul din priză, tăiați cablul de alimentare (cât mai aproape de aparat posibil) și demontați ușa aparatului.

Dacă acest aparat (care este prevăzut cu un sistem de închidere magnetic) înlocuiește un aparat mai vechi, prevăzut cu închizătoare cu arc (zăvor) pe ușă sau pe capac, înainte de a arunca aparatul vechi, asigurați-vă că închizătoarea cu arc nu mai poate fi folosită. Astfel, copiii nu vor putea rămâne blocați înăuntru.

Copiilor cu vârste începând de la 3 ani le este permis să introducă și să scoată alimente din aparatele frigorifice (această prevedere este aplicabilă numai pentru statele din Uniunea Europeană).

Copiii ar trebui supravegheați pentru a vă asigura că nu se joacă cu aparatul.

Curățarea și întreținerea nu se vor efectua de către copii decât dacă au cel puțin 8 ani și sunt supravegheați.

**PERICOL:** Risc de prindere pentru copii. Înainte de a vă arunca aparatul vechi:

Scoateți ușile.

Lăsați rafturile la loc astfel încât copiii să nu se poată urca cu ușurință în interior.

Tăiați cablul de conexiune (cât mai aproape posibil de aparat).

Dacă acest aparat, care are uși cu blocare magnetică, va înlocui un aparat mai vechi cu lacăt (zăvor) pe ușă sau capac, asigurați-vă că acel zăvor

este inutilizabil înainte de a arunca aparatul vechi. Acest lucru îl va împiedica să devină o capcană mortală pentru copii.

**Atenție!** Păstrați gura de aerisire din incinta aparatului sau din structura încorporată, liberă de obstrucții.



**Atenție!** Nu folosiți dispozitive mecanice sau alte mijloace pentru a accelera procesul de decongelare, în afara celor recomandate de producător.

**Atenție!** Nu deteriorați circuitului frigorific.

**Atenție!** Nu utilizați alte aparate electrice (cum ar fi aparatele de înghețată) în interiorul aparatelor frigorifice, decât dacă acestea sunt autorizate în acest scop de către producător.

Nu stocați substanțe explozive, cum ar fi cutii de aerosoli cu un propulsor inflamabil în acest aparat.

În timpul transportului și instalării aparatului, asigurați-vă că nici una dintre componentele circuitului frigorific nu este deteriorată.

Evitați flăcările deschise și sursele de aprindere;

Aerisiți bine camera în care se află aparatul.

Este periculos să amendați specificațiile sau să modificați acest produs în orice fel.

Orice daune la cablul de alimentare poate provoca un scurt-circuit, incendiu și/sau șoc electric.

Acest aparat este destinat utilizării în aplicații casnice și similare, cum ar fi:

Zonele de bucătărie din magazine, birouri și alte medii de lucru;

Ferme și de clienții din hoteluri, moteluri și alte medii de tip rezidențial;

Medii de tip hostel;

Aplicații de catering și alte aplicații non-retail.

Atenție! Orice componente electrice (mufa, cablul de alimentare, compresorul etc.) trebuie înlocuite de un agent autorizat de service sau de personalul de service calificat.

**NU FOLOSIȚI PRELUNGITOR.** Utilizați o priză de perete exclusivă. Nu conectați lada frigorifică prin prelungitoare sau într-o priză utilizată de un alt aparat.

Asigurați-vă că cablul de alimentare nu este strivit sau deteriorat de partea din spate a aparatului. Un cablu de alimentare strivit sau deteriorat se poate supraîncălzi și provoca un incendiu.

Asigurați-vă că puteți ajunge la conectorul de alimentare al aparatului.

Nu trageți de cablul de alimentare.

Dacă priza de alimentare este prea largă, nu introduceți ștecherul de alimentare. Există risc de electrocutare sau incendiu.

Nu trebuie să utilizați aparatul fără lampă.

Acest aparat este greu. Trebuie să îl deplasați cu grijă.

Nu scoateți și nu atingeți obiecte din lada frigorifică dacă aveți mâinile umede/ude, acest lucru putând provoca abraziuni cutanate sau degerături.

Evitați expunerea prelungită a aparatului la lumina directă a soarelui.

Nu trageți de cablul de alimentare.

Aparatul nu poate fi alimentat decât de la un circuit electric de curent alternativ monofazat, de 220~240V/50Hz. Dacă variațiile de tensiune din zona în care locuiește utilizatorul nu se încadrează în limitele domeniului de tensiune de mai sus, pentru siguranță, utilizați un regulator de tensiune automat AC cu o putere mai mare de 350 W. Aparatul trebuie alimentat de la o priză separată, nu de la o priză la care sunt conectate și alte aparate electrice. Ștecherul trebuie să fie compatibil cu priza cu împământare.

**AVERTISMENT!** Agentul frigorific și gazul izolant sunt inflamabile. Dacă doriți să aruncați aparatul, apălați la un centru autorizat de eliminare a deșeurilor. Nu expuneți aparatul la foc.

**AVERTISMENT!** Atunci când poziționați aparatul, asigurați-vă că nu striviți și nu deteriorați cablul de alimentare.

**AVERTISMENT!** Nu amplasați în spatele aparatului prize multiple sau surse de alimentare portabile.

**AVERTISMENT!** Becurile nu trebuie înlocuite de către utilizator! Dacă becurile se defectează, apălați la asistență specializată. Acest avertisment este valabil numai pentru frigiderule prevăzute cu lămpi de iluminare.

## Agentul frigorific

Circuitul de refrigerare al aparatului conține agent frigorific R-600a (izobutan), un gaz natural cu un nivel ridicat de compatibilitate cu mediul înconjurător, dar inflamabil. În timpul transportului și al montării aparatului, asigurați-vă că niciuna dintre componentele circuitului de refrigerare nu este deteriorată. Agentul frigorific (R-600a) este inflamabil.

**AVERTISMENT!** Frigiderele conțin agent frigorific și gaze izolante. Agentul frigorific și gazele trebuie să fie eliminate în mod corespunzător, deoarece acestea pot provoca leziuni oculare sau se pot aprinde. Înainte de eliminare, asigurați-vă că tubulatura circuitului de refrigerare nu este deteriorată.



**AVERTISMENT! PERICOL DE INCENDIU!**

În cazul în care circuitul de refrigerare este deteriorat:

- Evitați utilizarea focului deschis și sursele de aprindere a focului.
- Aerisiți bine camera în care se află aparatul. Modificarea în orice fel a specificațiilor sau a produsului este periculoasă.



**AVERTIZARE!** În timpul utilizării, deservirii și scoaterii din funcțiune a aparatului, vă rugăm să acordați atenție simbolului din partea stângă, care este amplasat pe spatele aparatului (panoul din spate sau compresor), colorat galben sau portocaliu. Este vorba de un simbol de avertizare la incendiu. Sunt materiale inflamabile în conductele și compresorul frigiderului. Vă rugăm să țineți departe sursele de foc în timpul utilizării, service-ului și scoaterii din funcțiune.

## 4. UTILIZARE COTIDIANĂ

Nu puneți alimente calde în aparat.

Alimentele congelate nu trebuie să fie re-congelate după ce au fost dezghețate.

Depozitați alimentele pre-ambalate în conformitate cu instrucțiunile producătorului alimentelor congelate. Trebuie respectate cu strictețe recomandările de depozitare ale producătorilor aparatului. Consultați instrucțiunile relevante.

Nu puneți băuturi carbogazoase sau acidulate în lada frigorifică, deoarece acestea creează presiune pe recipient, care poate duce la explozia, provocând daune aparatului.

Înghețata pe băț poate provoca degerături dacă este consumată direct din aparat.

## 5. ÎNGRIJIRE ȘI CURĂȚARE

Înainte de întreținere, deconectați ștecherul din priză de alimentare.

Nu curățați aparatul cu obiecte metalice.

Nu folosiți obiecte ascuțite pentru a elimina gheața din aparat. Folosiți o racletă din plastic.

Examinați regulat scurgerea din lada frigorifică pentru apa de dezgheț. Dacă este necesar, curățați scurgerea.

### Curățarea interiorului

Înainte de a utiliza aparatul pentru prima oară, spălați interiorul și toate accesoriile interne cu apă caldă și puțin săpun neutru pentru a elimina mirosul tipic de produs nou, apoi uscați bine.

Important! Nu folosiți detergenți sau pulberi abrazive, deoarece acestea vor deteriora finisajul.

## 6. ÎNGRIJIRE ȘI CURĂȚARE

### Important!

Pentru conexiunea electrică, urmați cu atenție instrucțiunile date în anumite paragrafe.

Dezambalați aparatul și verificați dacă prezintă daune. Nu conectați aparatul dacă acesta este deteriorat. Raportați eventualele daune imediat la locul din care l-ați cumpărat. Pentru acest caz, păstrați ambalajul.

Se recomandă să așteptați cel puțin patru ore înainte de a conecta aparatul pentru a permite uleiului să curgă înapoi în compresor.

Ar trebui să existe o circulație adecvată a aerului în jurul aparatului, lipsa acesteia duce la supraîncălzire. Pentru a realiza o ventilație suficientă, urmați instrucțiunile relevante pentru instalare.

Ori de câte ori este posibil, distanțierele produsului ar trebui să fie sprijinite de un perete, pentru a evita atingerea sau prinderea de piesele calde (compresor, condensator) pentru a preveni eventuale arsuri.

Aparatul nu trebuie să fie situat aproape de radiatoare sau aragazuri.  
Asigurați-vă că ștecherul este accesibil după instalarea aparatului.

## 7. REPARAȚII ȘI ECONOMISIREA ENERGIEI

Orice lucrări electrice necesare pentru repararea aparatului ar trebui efectuate de către un electrician calificat sau o persoană competentă.

Acest produs trebuie reparat de un Centru de Service autorizat și se vor utiliza numai piese de schimb originale.

Nu puneți alimente calde în aparat.

Nu ambalați alimentele împreună deoarece se împiedică circulația aerului.

Asigurați-vă că alimentele nu ating partea din spate a compartimentelor.

În cazul opririi curentului electric, nu deschideți ușa (ușile).

Nu deschideți ușa (ușile) frecvent.

Nu țineți ușa (ușile) deschisă prea mult timp.

Nu setați termostatul pe temperaturi prea scăzute.

Unele accesorii, cum ar fi sertarele, pot fi scoase pentru a obține un volum de depozitare mai mare și un consum redus de energie.

Pentru un consum redus de energie, toate accesoriile, cum ar fi rafturile, sertarele și rafturile de pe uși trebuie menținute în pozițiile care au fost prevăzute pentru acestea.

## 8. PROTECȚIA MEDIULUI

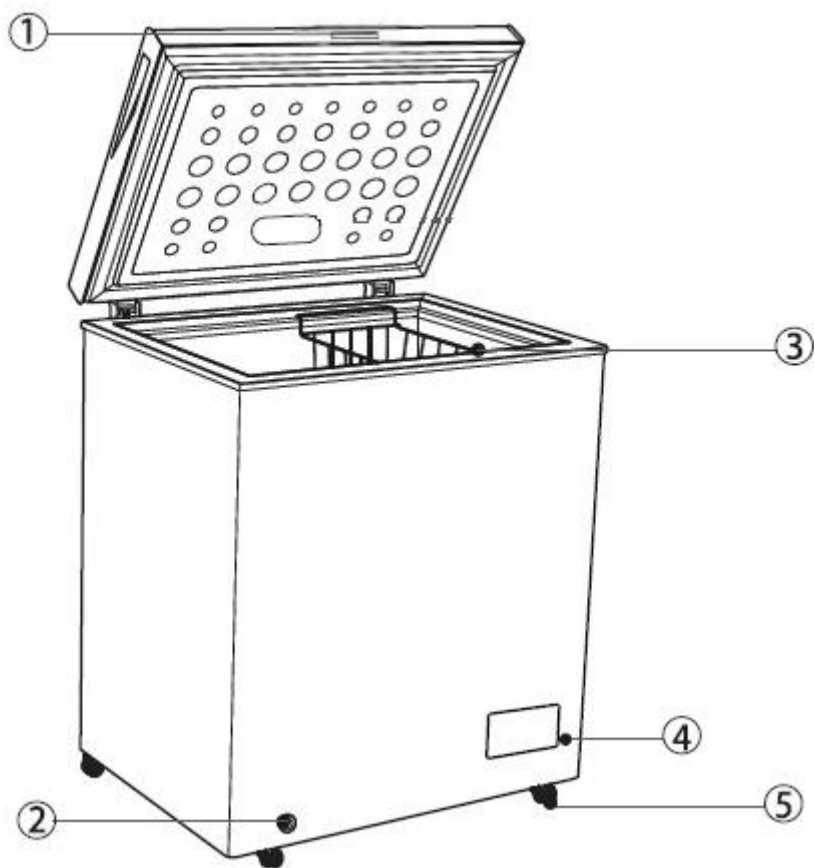
### Materiale de ambalare

Materialele cu simbolul sunt reciclabile. Aruncați ambalajele în containere adecvate de colectare pentru reciclarea lor.

### Aruncarea aparatului

1. Deconectați ștecherul din priza de alimentare.
2. Tăiați cablul de alimentare și aruncați-l.

## 9. DESCRIEREA PRODUSULUI



1. Mâner	4. Panou de comandă pentru termostat
2. Orificiul de scurgere	5. Roată
3. Coș	

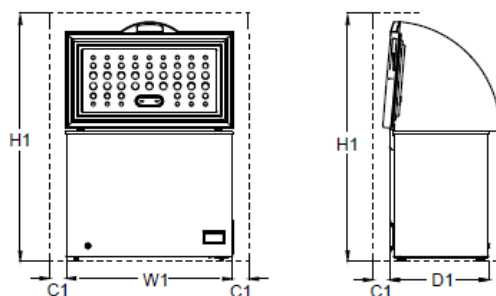
Pentru ca acest produs să fie cât mai eficient energetic, vă rugăm să amplasați rafturile și sertarele în pozițiile indicate în ilustrația de mai sus.

Ilustrația are caracter informativ.

**Notă:** Acest aparat frigorific nu este destinat utilizării ca aparat încorporat. Imaginea de mai sus are rol strict informativ. Produsul real poate fi diferit.

## 10. UTILIZARE COTIDIANĂ

### Cerințe de spațiu



Model	W1 / mm (Lățimea produsului)	D1 / mm (Adâncimea produsului)	H1 / mm (Înălțime minimă)	C1 / mm (Spațiu minim)
HCF-HM100CE++ HCF-HM100CSE++ HCF-HM100CBKE++	545	545	845	100
HCF-HM145CE++ HCF-HM145CSE++ HCF-HM145CBKE++	705	545	845	100

### Poziționare

Instalarea acestui aparat într-un loc în care temperatura ambiantă corespunde clasei climatice indicate pe plăcuța indicatoare a aparatului:

- temperată extinsă: acest aparat frigorific este destinat a fi utilizat la temperaturi ambiante cuprinse între 10 °C și 32 °C (SN);
- temperată: acest aparat frigorific este destinat a fi utilizat la temperaturi ambiante cuprinse între 16 °C și 32 °C (N);
- subtropicală: acest aparat frigorific este destinat a fi utilizat la temperaturi ambiante cuprinse între 16 °C și 38 °C (ST);
- tropicală: acest aparat frigorific este destinat a fi utilizat la temperaturi ambiante cuprinse între 16 °C și 43 °C (T);

### Amplasament

Aparatul trebuie instalat departe de sursele de căldură, precum radiatoare, cazane, lumina directă a soarelui etc. Asigurați circulația liberă a aerului în partea din spate a lăzii. Pentru a asigura performanțe optime, în cazul în care aparatul este poziționat sub o unitate de perete suspendată, distanța minimă între partea de sus a lăzii și unitatea de perete trebuie să fie de cel puțin 100 mm. Totuși, în mod ideal, aparatul nu ar trebui poziționat sub unități de perete suspendate. Nivelarea precisă este asigurată de unul sau mai multe picioare reglabile dispuse pe baza carcasei.

Acest aparat frigorific nu este destinat utilizării ca aparat încorporat;

Atenție! Trebuie să fie posibilă deconectarea aparatului de la sursa de alimentare; de aceea, ștecherul trebuie să fie ușor accesibil după instalare.

### Conexiunea electrică

Înainte de conectare, asigurați-vă că tensiunea și frecvența indicate pe placa de specificații corespunde alimentării prezente în spațiul dvs. Aparatul trebuie să fie împământat. Cablul de alimentare este prevăzut cu un contact în acest scop. În cazul în care priza de alimentare prezentă nu este împământată, conectați

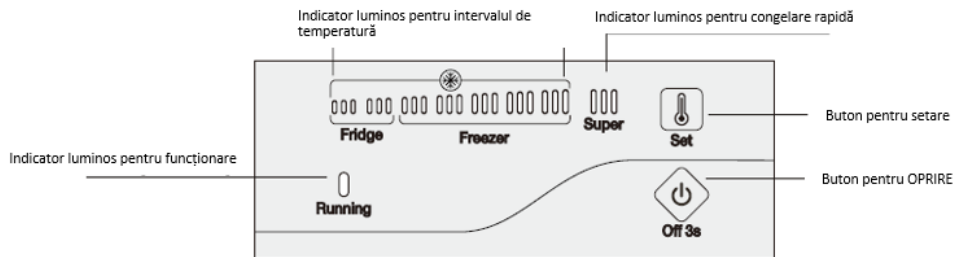
aparatur la un fir separat de împământare conform reglementărilor actuale, după consultarea unui electrician calificat. Producătorul își declină orice răspundere dacă măsurile de siguranță de mai sus nu sunt respectate.

## Curățarea interiorului

Înainte de a folosi aparatul pentru prima dată, spălați interiorul și toate accesoriile interne cu apă caldă și cu detergent neutru, pentru a înlătura mirosul specific de produs nou, apoi uscați-le bine.

**Important!** Nu folosiți detergenți sau prafuri abrazive, deoarece acestea vor deteriora suprafețele.

## Setarea temperaturii



### Comportamentul indicatoarelor la alimentarea aparatului

După alimentarea aparatului, toate indicatoarele luminoase se aprind 1 secundă, apoi aparatul funcționează în modul setat înainte de oprirea alimentării.

#### Setarea temperaturii

Apăsăți pe butonul „SET” pentru a regla temperatura. Apăsăți o dată, iar indicatorul luminos pentru intervalul de temperatură se va aprinde. Setăți nivelul de temperatură dorit, iar termostatul electronic va confirma în mod automat setarea după 5 secunde.

Când toate lămpile cu LED ale indicatorului luminos pentru intervalul de temperatură sunt aprinse, apăsați pe butonul „SET”. Indicatorul „SUPER” se aprinde, iar funcția de congelare rapidă se activează după 5 secunde. Apăsăți din nou pe butonul „SET”. Indicatorul „SUPER” se stinge, apoi aparatul comută la modul de funcționare „Frigider”.

#### Recomandări privind setările

- Recomandare pentru modul de funcționare „Frigider”



- Recomandare pentru modul de funcționare „Congelator”



- Modul de funcționare „Congelare rapidă”



#### Starea indicatorului cu LED:

Indicator LED pentru intervalul de temperatură (albastru):

- Interval de temperatură pentru modul de funcționare „Frigider” (nivelurile 1, 2).
- Interval de temperatură pentru modul de funcționare „Congelator” (nivelurile 3, 4, 5, 6, 7).

**Indicatorul LED pentru congelare rapidă (albastru):** Când funcția de congelare rapidă este activă, indicatorul LED este aprins. Când funcția de congelare rapidă este inactivă, indicatorul LED este stins.

**Indicatorul LED pentru funcționare (verde):** Când compresorul este în funcțiune, indicatorul LED este aprins. Când compresorul este oprit, indicatorul LED este stins.

**După 30 de minute de la efectuarea setărilor, intensitatea luminii indicatorului LED se diminuează.**

**Funcția de memorare a setărilor:** În caz de întrerupere a furnizării de energie electrică, setările vor fi memorate. După restabilirea furnizării de energie electrică, aparatul va funcționa conform setărilor efectuate înainte de întrerupere.

**Oprirea aparatului:** Pentru oprirea aparatului, apăsați și mențineți apăsat butonul „OFF 3s” timp de 3 secunde.

## Funcția Winter Security (Protecție la frig)

Protecția la frig reprezintă capacitatea lăzii frigorifice să funcționeze și la temperaturi de -15 grade Celsius, fiind o caracteristică tehnică ce derivă din construcția aparatului. Aceasta nu are legătură cu clasa climatică din care face parte produsul și se poate activa din panoul de control, setând temperatura pe MAX. În urma acestei setări, compresorul începe să funcționeze la temperatura de până la -15 grade Celsius.

## Congelarea alimentelor proaspete

Compartimentul de congelare este potrivit pentru congelarea alimentelor proaspete și depozitarea alimentelor congelate și ultracongelate pentru o lungă perioadă de timp.

Puneți alimentele proaspete care vor fi congelate în compartimentul de jos.

Cantitatea maximă de alimente ce pot fi congelate în 24 de ore este specificată pe plăcuța indicatoare.

Procesul de congelare durează 24 de ore: în această perioadă nu adăugați alte alimente pentru congelare.

## Depozitarea alimentelor congelate

La prima pornire sau după o perioadă de neutilizare. Înainte de introducerea produsului în compartiment, lăsați aparatul pornit cel puțin 2 ore pe setările mai ridicate.

Important! În cazul decongelării accidentale, de exemplu, dacă electricitatea a fost întreruptă o perioadă mai mare decât cea prevăzută în graficul de caracteristici tehnice de sub 8 ore, alimentele decongelate trebuie consumate repede sau gătite imediat și apoi re-congelate (după gătire).

## Decongelarea

Alimentele ultracongelate sau congelate, înainte de a fi utilizate, pot fi decongelate într-un compartiment de frigider sau la temperatura camerei, în funcție de timpul disponibil pentru această operațiune.

Bucățile mici pot fi chiar gătite încă congelate, direct din lada frigorifică. În acest caz, gătitul va dura mai mult. Sugestii și sfaturi utile / Sugestii pentru congelare

Pentru a vă ajuta să profitați din plin de procesul de congelare, iată câteva sugestii importante:

Procesul de congelare durează 24 de ore. Nu se vor adăuga alte alimente de congelat în această perioadă;

Congelați doar alimente de calitate superioară, proaspete și bine curățate;

Preparați alimentele în porții mici pentru a permite congelarea rapidă și completă și posibilitatea decongelării ulterioare doar a cantității necesare;

Înveliți produsele alimentare în folie de aluminiu sau folie de polietilenă și asigurați-vă că pachetele sunt închise ermetic;

Nu permiteți ca alimentele proaspete, necongelate să se atingă de cele deja congelate, evitând astfel creșterea temperaturii celor din urmă;

Alimentele slabe se depozitează mai bine și mai mult decât cele grase; sarea reduce durata de depozitare a alimentelor.

Se recomandă indicarea datei de congelare pe fiecare ambalaj individual pentru a vă permite să monitorizați timpul de depozitare;

Se recomandă indicarea datei de congelare pe fiecare ambalaj individual pentru a vă permite să monitorizați timpul de depozitare.

## Sugestii de depozitare a alimentelor congelate

Pentru a obține performanțe optime de la acest aparat, trebuie:

Cantitatea maximă de alimente care poate fi congelată în 24h este specificată pe plăcuța cu date tehnice.

Să vă asigurați că alimentele congelate în comerț au fost depozitate corespunzător în magazin;

Pornirea funcției SUPER cu 24h înainte de introducerea alimentelor în aparat, ajuta la o capacitate mai buna de congelare.

Asigurați-vă că alimentele congelate sunt transferate de la magazin în lada frigorifică în cel mai scurt timp posibil;

Nu deschideți ușa frecvent și nu o lăsați deschisă mai mult decât este absolut necesar.

Odată decongelate, alimentele se deteriorează rapid și nu pot fi recongelate.

Nu depășiți perioada de depozitare indicată de producătorul alimentelor.

Pentru a evita contaminarea alimentelor, respectați instrucțiunile de mai jos:

- Dacă ușa aparatului este lăsată deschisă pe perioade lungi, temperatura din compartimentele aparatului crește semnificativ.
- Curățați periodic suprafețele care pot intra în contact cu alimentele, precum și sistemele de scurgere ale aparatului.
- Compartimentele de congelare cu două stele sunt potrivite pentru păstrarea alimentelor precongelate, păstrarea sau prepararea înghețatei și producerea cuburilor de gheață.
- Compartimentele cu una, două și trei stele nu sunt potrivite pentru congelarea alimentelor proaspete.

Notă: Vă rugăm să păstrați alimentele în compartimentele corespunzătoare și la temperaturile de depozitare recomandate.

- Dacă aparatul frigorific este lăsat gol pe perioade lungi, opriți-l, decongețați-l, curățați-l, ștergeți-l bine și lăsați-i ușa deschisă, pentru a preveni formarea mușgaiului în interiorul acestuia.
- Atunci când congelați alimente, asigurați-vă că acestea nu ating suprafețele interioare ale compartimentului de congelare.
- Atunci când congelați alimente, pentru prevenirea uscării acestora și a răspândirii mirosurilor, depozitați-le în recipiente sau pungi etanșe, fabricate din materiale insipide, impermeabile și netoxice.
- Alimentele fierbinți trebuie lăsate să se răcească la temperatura camerei, apoi introduse în compartimentul de congelare. În caz contrar, acestea vor afecta starea celorlalte alimente și vor duce la creșterea consumului de energie electrică.

Nr. de ordine	Tipul compartimentului	Temperatură de depozitare recomandată [°C]	Alimente
1	Refrigerare	+2≤+6	Ouăle, alimentele gătite, alimentele ambalate, fructele și legumele, lactatele, prăjiturile și băuturile nu sunt potrivite pentru congelare.
2	(***)*-Congelare	≤-18	Fructele de mare (peștele, creveții, crustaceele), produsele acvatice și cele din carne sunt potrivite pentru congelare (se recomandă depozitarea acestora timp de 3 luni; cu cât durata de depozitare este mai mare, cu atât gustul și proprietățile nutritive se pierd).



3	***-Congelare	≤-18	Fructele de mare (peștele, creveții, crustaceele), produsele acvatice și cele din carne nu sunt potrivite pentru congelare (se recomandă depozitarea acestora timp de 3 luni; cu cât durata de depozitare este mai mare, cu atât gustul și proprietățile nutritive se pierd).
4	** - Congelare	≤-12	Fructele de mare (peștele, creveții, crustaceele), produsele acvatice și cele din carne nu sunt potrivite pentru congelare (se recomandă depozitarea acestora timp de 2 luni; cu cât durata de depozitare este mai mare, cu atât gustul și proprietățile nutritive se pierd).
5	*-Congelare	≤-6	Fructele de mare (peștele, creveții, crustaceele), produsele acvatice și cele din carne nu sunt potrivite pentru congelare (se recomandă depozitarea acestora timp de 1 lună; cu cât durata de depozitare este mai mare, cu atât gustul și proprietățile nutritive se pierd).

## 11. CURĂȚAREA ȘI DEZGHEȚAREA LĂZII FRIGORIFICE

Din motive igienice, interiorul aparatului, inclusiv accesoriile interioare, trebuie să fie curățate în mod regulat.

**Atenție!** Aparatul nu trebuie să fie conectat la priză în timpul curățării.

**Pericol de electrocutare!** Înainte de curățare, opriți aparatul și scoateți ștecherul din priză, sau opriți ori întrerupeți disjunctorul sau siguranța. Nu curățați niciodată aparatul cu un curățător cu aburi. Se poate acumula umezeală în componentele electrice. Vaporii calzi pot duce la deteriorarea pieselor din plastic. Aparatul trebuie să fie uscat înainte de repunerea în funcțiune.

**Important!** Uleiurile eterice și solvenții organici pot ataca piesele din plastic, de ex. sucul de lămâie sau sucul din coajă de portocală, acidul butiric, detergenții care conțin acid acetic.

Nu lăsați astfel de substanțe să intre în contact cu componentele aparatului.

Nu folosiți detergenți abrazivi.

Scoateți alimentele din lada frigorifică. Depozitați-le într-un loc răcoros, bine acoperit.

Opriți aparatul și scoateți ștecherul din priză, sau opriți ori întrerupeți disjunctorul sau siguranța.

Curățați aparatul și accesoriile interioare cu o cârpă și apă caldă.

După curățare, ștergeți cu apă proaspătă și frecați până la uscare.

După uscarea completă, repuneți aparatul în funcțiune.

### Decongelare

Lada frigorifică se va acoperi progresiv cu gheață. Aceasta trebuie înlăturată.

Nu folosiți niciodată unelte metalice ascuțite pentru răzuirea gheții din evaporator, deoarece îl puteți deteriora.

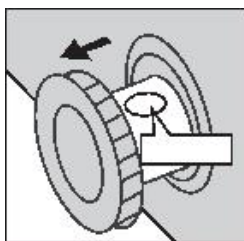
Totuși, când gheața este foarte groasă pe interior, trebuie realizată decongelarea completă, după cum urmează:

Scoateți aparatul din priză. Scoateți dopul de scurgere din interiorul lăzii frigorifice.

Decongelarea durează de obicei câteva ore. Pentru o decongelare mai rapidă, țineți ușa lăzii frigorifice deschisă.

Pentru scurgere, puneți o tavă sub gura de scurgere exterioară.

Trageți în afară dopul de scurgere.



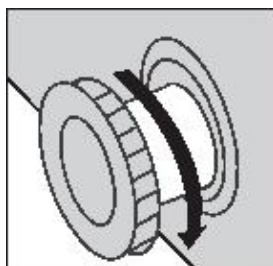
Rotiți dopul 180 de grade. Astfel, apa va curge în tavă.

La finalizarea procedurii, împingeți înapoi dopul de scurgere. Puneți la loc dopul de scurgere în interiorul lăzii.

Notă: Țineți sub supraveghere recipientul de sub scurgere pentru a evita preaplinul.

Ștergeți interiorul lăzii frigorifice introduceți din nou în priză.

Resetați temperatura la valoarea dorită.



## 11. DEPANARE

**Atenție!** Înainte de depanare, întrerupeți alimentarea. Doar un electrician calificat sau o persoană competentă pot realiza lucrări de depanare care nu sunt în manual.

**Important!** Există anumite zgomote în timpul funcționării normale (compresor, circulația agentului frigorific).

Problemă	Cauză posibilă	Soluție
Aparatul nu funcționează	Ștecherul de alimentare nu este în priză sau contactul este slab	Introduceți ștecherul
	Siguranța s-a ars sau este defectă	Verificați siguranța, înlocuiți la nevoie
	Priza este defectă	Defectele de alimentare trebuie corectate de un electrician.
Alimentele sunt prea calde	Temperatura nu este reglată corespunzător.	Vă rugăm să consultați secțiunea inițială de Setare a Temperaturii
	Ușa a fost deschisă pe o perioadă îndelungată	Deschideți ușa doar atât cât este nevoie
	O cantitate mare de alimente calde a fost pusă în aparat în ultimele 24 de ore	Puneți temporar temperatura pe o valoare mai mică.
	Aparatul este lângă o sursă de căldură	Vă rugăm să consultați secțiunea cu amplasamentul instalației
Aparatul congelează prea mult	Temperatura este setată pe o valoare prea mică	Rotiți temporar butonul de reglare a temperaturii pe o valoare mai mare

Zgomote neobișnuite	Aparatul atinge peretele sau alte obiecte.	Deplasați ușor aparatul
	O componentă, de ex. un tub, de pe spatele aparatului atinge o altă parte a aparatului sau peretele	La nevoie, îndoiți cu atenție componenta pentru a o îndepărta.
Acumulare mare de gheață pe garnitura ușii.	Garnitura ușii nu este etanșă	Încălziți cu atenție secțiunile garniturii ușii prin care se produc scurgeri cu un uscător de păr (pe o setare rece). În același timp mișcați cu mâna garnitura ușii astfel încât să se așeze corect.

Dacă defecțiunea apare din nou, contactați Centrul de Service.

Aceste date sunt necesare pentru a vă ajuta rapid și corect. Scrieți datele necesare aici, consultați plăcuța indicatoare.

### SERVICE ȘI ASISTENȚĂ PENTRU CLIEȚI

Utilizați numai piese de schimb originale.

Când contactați centrul nostru de service autorizat, asigurați-vă că aveți la îndemână următoarele informații: Denumirea modelului și numărul de serie.

Informațiile pot fi găsite pe plăcuța cu date tehnice. Acestea pot suferi modificări fără o notificare prealabilă.

### DATE TEHNICE

Informațiile tehnice se află pe plăcuța cu date tehnice a aparatului și pe eticheta energetică.

Codul QR de pe eticheta energetică furnizată împreună cu aparatul oferă un link web către informațiile din baza de date EPREL cu privire la performanțele aparatului.

Păstrați eticheta energetică pentru consultări ulterioare, împreună cu manualul de utilizare și cu toate celelalte documente furnizate împreună cu acest aparat.

De asemenea, puteți găsi aceleași informații în baza de date EPREL, folosind link-ul <https://eprel.ec.europa.eu> și denumirea modelului și numărul de serie al produsului, pe care le găsiți pe plăcuța cu date tehnice a aparatului.

Pentru a accesa informațiile despre produsul Dvs în portalul EPREL, puteți scana codurile de mai jos:

HCF-HM100CE++



HCF-HM100CSE++



HCF-HM100CBKE++



HCF-HM145CE++



HCF-HM145CSE++



HCF-HM145CBKE++



Vă mulțumim pentru achiziționarea acestui produs! Dacă aveți nevoie de asistență în ceea ce privește produsul dumneavoastră, vizitați site-ul nostru web utilizând linkurile de mai jos:

Get User manuals: <https://www.heinner.ro>

Get Service information: <https://www.heinner.ro>



#### **MASURI PENTRU PROTECTIA MEDIULUI**

Va informam ca persoanele fizice au urmatoarele obligatii prin legislatia specifica privind protectia mediului si regimul deseurilor:

- Deseurile de echipamente electrice si electronice (DEEE), pot contine substante periculoase pentru mediu si sanatatea umana. Conform OUG 5/2015, exista obligativitatea predarii acestora, pentru tratarea corespunzatoare si valorificarea componentelor reciclabile. Societatea Network One Distribution S.R.L. este platitoare de taxa de "timbru verde" pentru fiecare Echipament Electric si Electronic (EEE) pe care il pune pe piata. Acest cost asigura tratarea ulterioara a echipamentelor uzate colectate. Din acest motiv, odata ce devine dezechu, produsul EEE poate fi predat gratuit operatorului Dvs. de salubritate, la magazine atunci cand achizitionati alt echipament similar, sistemul "unul la unu" sau la punctul de colectare organizat de Primaria Sectorului / localitatii Dvs.
- Simbolul (marcajul) aplicat produselor, care indica faptul ca deseurile DEEE, bateriile si acumulatorii - fac obiectul unei colectari separate, il reprezinta o pubela barata cu o cruce.



#### ***Aceste masuri vor ajuta la protejarea mediului***

Societatea Network One Distribution S.R.L. este inregistrata in Registrul de punere pe piata a echipamentelor electrice si electronice, avand numarul de inregistrare: RO-2016-03-EEE-0201-IV. De asemenea, au fost intocmite si sunt gestionate: Registrul de Retragere EEE si Registrul de Rechemare EEE, in conformitate

cu HG 322/2013. Totodata societatea este inregistrata in Registrul de punere pe piata a bateriilor, avand numarul de inregistrare: RO-2011-03-B&A-0283.

Conformitatea cu directiva RoHS: Produsul pe care l-ați cumpărat este conform cu Directiva RoHS UE (2011/65/UE). Nu conține materialele dăunătoare și interzise specificate în Directivă.

**Va multumim ca participati alaturi de noi la protejarea mediului si a sanatatii umane!**



**HEINNER** este marcă înregistrată a companiei **Network One Distribution SRL**. Celelalte branduri și denumirile produselor sunt mărci de comerț sau mărci de comerț înregistrate ale respectivilor deținători.

Nicio parte a specificațiilor nu poate fi reprodusă, sub nicio formă și prin niciun mijloc, nici utilizată pentru obținerea unor derivate precum traduceri, transformări sau adaptări, fără consimțământul prealabil al companiei NETWORK ONE DISTRIBUTION.

Copyright © 2013 Network One Distribution. Toate drepturile rezervate.

[www.heinner.com](http://www.heinner.com), <http://www.nod.ro>

<http://www.heinner.com>, <http://www.nod.ro>



Acest produs este proiectat și realizat în conformitate cu standardele și normele Comunității Europene.



Importator: **Network One Distribution**

Str. Marcel Iancu, nr. 3-5, București, România

Tel: +40 21 211 18 56, [www.heinner.com](http://www.heinner.com), [www.nod.ro](http://www.nod.ro)

# Фризер

Модел:

HCF-HM100CE++/HCF-HM100CSE++/HCF-HM100CBKE++  
HCF-HM145CE++/HCF-HM145CSE++/HCF-HM145CBKE++



- Общ капацитет: 98/142 L
  - Енергиен клас: E

**HEINNER**

## 1. ВЪВЕДЕНИЕ

Моля прочетете внимателно инструкциите и запазете наръчника за бъдещи справки. Този наръчник има за цел да Ви предостави всички необходими инструкции по отношение на инсталирането, използването и поддържането на уреда. Преди инсталиране и използване на уреда, с цел правилна и безопасна употреба на уреда, моля прочетете внимателно този наръчник с инструкции.

## 2. СЪДЪРЖАНИЕ НА ВАШИЯ ПАКЕТ

- ➔ Фризер
- ➔ Наръчник за употреба
- ➔ Сертификат за гаранция

## 3. ИНФОРМАЦИЯ ЗА БЕЗОПАСНОСТ

В интерес на Вашата безопасност и за да се гарантира правилното използване, преди да инсталирате и да използвате уреда за първи път, прочетете внимателно това ръководство, включително неговите съвети и предупреждения. За да се избегнат ненужни грешки и злополуки, важно е да се гарантира, че всички лица, които използват уреда, са напълно запознати с неговата работа и функции за безопасност. Запазете тези указания и се постарайте те да останат при уреда, ако той бъде преместен или продаден, така че всеки, който го използва през целия му живот, да бъде надлежно информиран за неговата употреба и безопасност. За сигурността на Вашия живот и имущество, спазвайте предпазните мерки от това ръководство, тъй като производителят не носи отговорност за вреди, причинени от бездействие.

### Безопасност на децата и хората в неравностойно положение

Уредът не е предназначен за използване от лица (включително деца) с намалени физически, сетивни или умствени проблеми, или с липса на опит и познания, освен ако са под наблюдение или са получили указания по отношение на използването на уреда от лице, което е отговорно за тяхната безопасност. Не оставяйте опаковките на достъпни места за деца. Опасност от задушаване.

За да избегнете ситуации, в които децата могат да пострадат от токов удар или да се затворят вътре в устройството, преди да го изхвърлите, изключете щепсела от контакта, отрежете захранващия кабел (възможно най-близо до устройството) и премахнете вратата на уреда.

Ако това устройство (което е снабдено с магнитна система за затваряне) заменя по-стар уред, снабден с пружинно затваряне (клипс) на вратата или на капака, преди да изхвърлите старото устройство се уверете, че пружинното затваряне не може да се използва повече. По този начин децата не могат да останат блокирани вътре.

Децата на възраст над 3 години имат право да поставят и изваждат храни от хладилните уреди (тази разпоредба е приложима само за страните от Европейския съюз).

**ОПАСНОСТ:** Опасност от заключване на деца.

Преди да изхвърлите стария си уред:

Свалете вратите.

Оставете рафтовете на място, така че децата да не могат лесно да влизат вътре.

Отрежете захранващия кабел (възможно най-близо до уреда).

Ако този уред, оборудван с магнитни уплътнения на вратите, заменя по-стар уред с пружинна ключалка (фиксатор) на вратата или капака, не забравяйте да направите тази пружинна ключалка неизползваема, преди да изхвърлите стария уред. Това ще предотврати превръщането му в смъртоносен капан за деца.

**ВНИМАНИЕ!** Да се пазят свободни от препятствия вентилационните отвори в корпуса на уреда или в структурата за вграждане.

**ВНИМАНИЕ!** Да не се използват механични устройства или други средства за ускоряване на процеса на размразяване освен тези, препоръчани от производителя.

**ВНИМАНИЕ!** Да не се поврежда охладителната верига.

**ВНИМАНИЕ!** Да не се използват други електрически уреди (като машини за сладолед) във вътрешността на хладилните уреди, освен ако те не са одобрени за тази цел от производителя.

Да не се съхраняват взривни вещества като аерозолни флакони със запалимо съдържание в този уред. По време на транспортирането и инсталирането на уреда да се внимава никой от компонентите на охладителната верига да не се повреди.

Да се избягва открит огън и източници на запалване.

Да се проветрява старателно помещението, в което се намира уредът.

Опасно е да се променят спецификациите или да се модифицира този продукт по какъвто и да било начин.

Всяка повреда по кабела може да предизвика късо съединение, пожар и/или токов удар.

Този уред е предназначен само за употреба в домакинството и други подобни като:

- Кухненски зони за персонала в магазини, офиси и други работни пространства;
- Къщи във ферми и от клиенти в хотели, мотели и други пространства от жилищен тип;
- Пространства тип bed & breakfast;
- Кетъринг и подобни нехранителни приложения.

**ВНИМАНИЕ!** Всички електрически компоненти (щепсел, захранващ кабел, компресор и т.н.) трябва да се подменят от упълномощен сервизен представител или квалифициран сервизен персонал.

**ПРЕДУПРЕЖДЕНИЕ!** Хладилният агент и изолационният газ са запалими. Елиминирайте уреда само чрез депониране в оторизиран център за елиминиране на отпадъци. Не излагайте уреда на огън.

**ПРЕДУПРЕЖДЕНИЕ!** Когато позиционирате уреда, уверете се, че не сте смачкали или повредили захранващия кабел.

**ПРЕДУПРЕЖДЕНИЕ!** Не поставяйте зад уреда разклонители за контакт или преносими източници на захранване.

**ПРЕДУПРЕЖДЕНИЕ!** Крушките не трябва да се сменят от потребителя! Ако крушките се повредят, обърнете се към специализиран сервиз. Това предупреждение е валидно само за хладилници, оборудвани с осветителни лампи.

**ДА НЕ СЕ ИЗПОЛЗВАТ УДЪЛЖИТЕЛИ.** Да се използва отделен стенен контакт. Да не се свързва фризерът към удължители или контакти, използвани от какъвто и да било друг уред.

Да се внимава щепселът да не бъде смачкан или повреден от гърба на уреда. Смачканият или повреден щепсел може да прегрее и да предизвика пожар.

Да се осигури достъп до щепсела на уреда.

Да не се дърпа захранващият кабел.

Да не се включва щепселът ако контактът е разхлабен. Има опасност от токов удар или пожар.

Да не се работи с уреда без лампата.

Този уред е тежък. При премесване трябва да се внимава.

Да не се вадят или докосват продукти от фризера с влажни/мокри ръце, тъй като това може да причини охлузвания на кожата или измръзване/изгаряния от студ.

Да се избягва продължителното излагане на уреда на пряка слънчева светлина.

Не дърпайте захранващият кабел.

Уредът може да се захранва само от електрически кръг с монофазен променлив ток 220-240V~/50Hz.

Ако промените в напрежението в зоната, в която живее потребителят, не попадат в границите на диапазона на напрежение по-горе, за безопасност, използвайте автоматичен регулатор на напрежението AC с мощност по-голяма от 350 W. Уредът трябва да се захранва от отделен контакт, а не от контакт, към който са свързани и други електрически уреди. Щепселът трябва да е съвместим с контакта за заземяване.

## Хладилен агент

Хладилната верига на устройството съдържа охладителен агент R-600a (изобутан), природен газ с висока степен на съвместимост с околната среда, но запалим. По време на транспортирането и



монтажа на устройството се уверете, че нито един от компонентите на хладилната верига не е повреден. Хладилният агент (R-600a) е запалим.

**ПРЕДУПРЕЖДЕНИЕ!** Хладилниците съдържат хладилен агент и изолационни газове. Хладилният агент и газовете трябва да бъдат обезвредени по съответстващ начин, защото могат да предизвикат очни наранявания или могат да се запалят. Преди обезвреждане, уверете се, че системата от тръбопроводи на охлаждащия кръг не е повредена.



**ВНИМАНИЕ!** ОПАСНОСТ ОТ ПОЖАР!

Ако охладителната верига е повредена:

- Избягвайте употребата на открит пламък и източници за запалване.
- Проветрете добре стаята, в която се намира устройството. Всякаква промяна на спецификациите или на продукта е опасна.



**ВНИМАНИЕ!** По време на ползване, обслужване и изхвърляне. Туред, моля обърнете внимание на символа, подобен на лявата, който е разположен отзад на уреда (задан панел или компресор) и с жълт или оранжев цвят. Това е риск от предупредителен символ за пожар. Има запалими материали тръби за хладилен агент и компресор. Моля, бъдете далеч от източници на огън по време на използване, сервиз и изхвърляне.

## 4. ЕЖЕДНЕВНА УПОТРЕБА

Да не се поставят горещи храни в уреда.

Замразените храни не трябва да се замразяват повторно, след като са били размразени.

Предварително опакованите замразени храни да се съхраняват в съответствие с указанията на техния производител.

Препоръките за съхранение на производителя на уреда трябва да се спазват стриктно.

Обърнете се към съответните указания.

Да не се поставят газирани напитки във фризера, тъй като се създава налягане върху съда, което може да предизвика експлозия, водеща до повреда на уреда.

Ледените близалки могат да причинят изгаряния от студ, ако се консумират направо от уреда.

## 5. ПОЧИСТВАНЕ И ПОДДРЪЖКА

Преди обслужване изключете уреда и извадете щепсела от контакта.

Да не се почиства уредът с метални предмети.

Да не се използват остри предмети за отстраняване на леда от уреда. Да се използва пластмасова стъргалка.

Редовно да се проверява отводнителната тръба на фризера за размразена вода. Ако е необходимо, да се почисти.

### Почистване на вътрешността

Преди да използвате уреда за първи път, измийте вътрешността и всички вътрешни аксесоари с хладка вода и неутрален сапун, така че да се премахне типичната миризма на чисто нов продукт, след това подсушете добре.

Важно! Да не се използват почистващи препарати или абразивни прахове, тъй като те ще повредят покритието.

## 6. ИНСТАЛИРАНЕ

### Важно!

За свързване към електрическата мрежа следвайте внимателно указанията, дадени в съответните раздели.

Разопакувайте уреда и проверете дали по него няма повреди. Не свързвайте уреда към електрическата мрежа ако е повреден. Незабавно подайте сигнал за евентуалните повреди в мястото на покупката. В този случай запазете опаковката.

Препоръчително е да се изчака най-малко четири часа, преди да се свърже уредът към електрическата мрежа, за да може маслото да се отече обратно в компресора.

Около уреда трябва да се осигури добра циркулация на въздуха. Липсата на такава ще доведе до прегряване. За да се осигури достатъчна вентилация, следвайте указанията, отнасящи се до инсталирането.

Когато това е възможно, дистанционерите на продукта трябва да допират стената, за да се избегне докосване или хващане на топли части (компресор, кондензатор) и да се предотврати евентуално изгаряне.

Уредът не трябва да се намира в близост до радиатори или готварски печки.

Да се внимава щепселът да бъде достъпен след инсталирането на уреда.

## 7. ОБСЛУЖВАНЕ И ПЕСТЕНЕ НА ЕНЕРГИЯ

Всички електрически работи, необходими за обслужването на уреда, трябва да се извършват от квалифициран електротехник или компетентно лице.

Този продукт трябва да бъде обслужван от упълномощен сервизен център и трябва да се използват само оригинални резервни части.

Да не се поставят горещи храни в уреда.

Да не се тъпчат плътно храните, защото това затруднява циркулацията на въздуха.

Постарайте се храните да не се допират до дъното на отделението (ята).

Да не се отваря вратата (ите) при спиране на електричеството.

Да не се отваря вратата (ите) често.

Да не се оставя вратата (ите) отворени за прекалено дълго време.

Да не се поставя термостатът на прекалено ниски температури.

Някои аксесоари, като чекмеджета, могат да се извадят, за да се получи по-голям обем за съхранение и да се намали потреблението на електроенергия.

За ниска консумация на енергия, всички аксесоари, като рафтове, чекмеджета и рафтове на вратите, трябва да се държат в предвидените за тях позиции.

## 8. ОПАЗВАНЕ НА ОКОЛНАТА СРЕДА

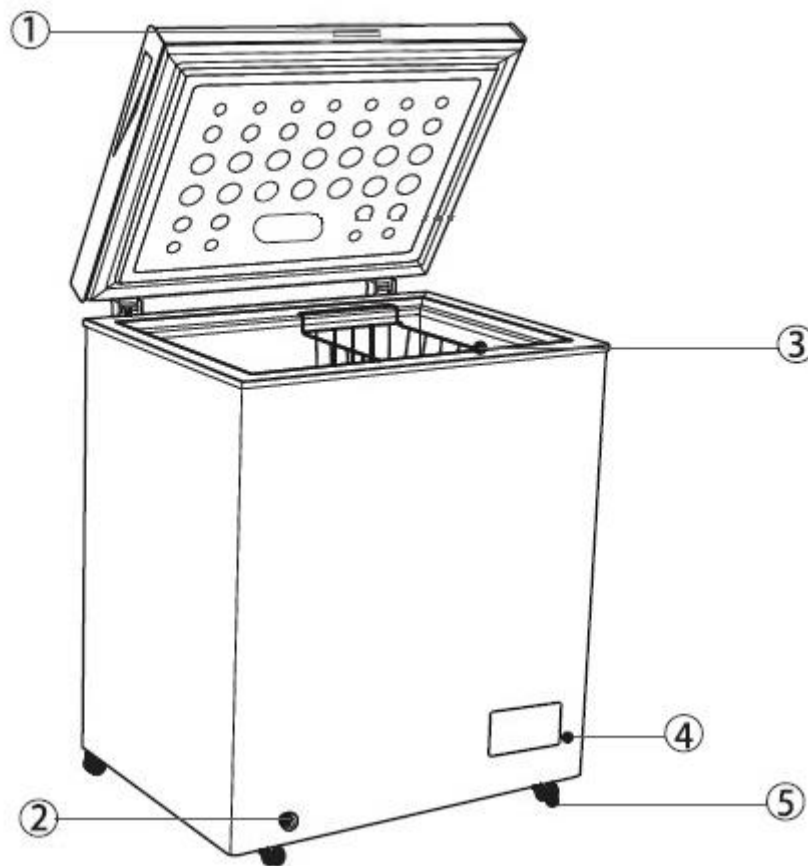
### Опаковъчни материали

Означените със символ материали могат да се рециклират. Изхвърляйте опаковките в съответните контейнери, за да бъдат рециклирани.

### Изхвърляне на уреда

1. Изключете щепсела от контакта.
2. Отрежете захранващия кабел и го изхвърлете.

## 9. ОПИСАНИЕ НА ПРОДУКТА



1. Дръжка	4. Контролен панел на термостата
2. Отвор за изтичане	5. Колело
3. Кошница	

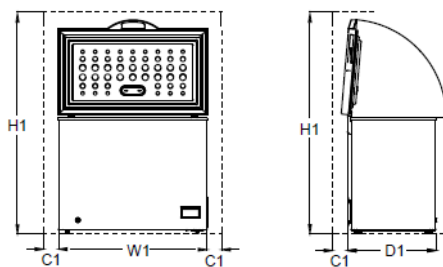
За да направите този продукт възможно най-ефективен, моля, поставете рафтовете и чекмеджетата в позициите, показани на изображението по-горе.

Изображението има само информативен характер.

**Забележка:** Този хладилен уред не е предназначен за използване като вграден уред. Горното изображение служи само за информация. Реалният продукт може да е различен.

## 10. ЕЖЕДНЕВНА УПОТРЕБА

### Необходимо пространство



Модел	W1 / мм (Ширина на продукта)	D1 / мм (Дълбочина на продукта)	H1 / мм (Минимална височина)	C1 / мм (Минимално разстояние)
HCF-HM100CE++ HCF-HM100CSE++ HCF-HM100CBKE++	545	545	845	100
HCF-HM145CE++ HCF-HM145CSE++ HCF-HM145CBKE++	705	545	845	100

### Позициониране

Инсталирайте уреда на място, където температурата на околната среда съответства на климатичния клас, посочен на табелката с данните:

- разширен умерен: този хладилен уред е предназначен да се използва при температура на околната среда от 10 °C до 32 °C (SN);
- умерен: този хладилен уред е предназначен да се използва при температура на околната среда от 16 °C до 32 °C (N);
- субтропичен: този хладилен уред е предназначен да се използва при температура на околната среда от 16 °C до 38 °C (ST);
- тропичен: този хладилен уред е предназначен да се използва при температура на околната среда от 16 °C до 43 °C (T);

### Позициониране

Уредът трябва да се инсталира на достатъчно разстояние от източници на топлина, като радиатори, бойлери, пряка слънчева светлина и др. Уверете се, че въздухът може да циркулира свободно около задната част на корпуса. За да се гарантира най-добра работа, ако уредът е поставен в ниша, минималното разстояние между горната част на шкафа и тавана на нишата трябва да бъде най-малко 100 mm. Най-добре е, обаче, уредът да не се разполага в ниши. Точното нивелиране се осигурява чрез едно или повече регулируеми крачета в основата на корпуса.

Този хладилен уред не е предназначен за използване като вграден уред.

**Внимание!** Трябва да се осигури възможност за изключване на уреда от електрическата мрежа. Затова щепселът трябва да е лесно достъпен след инсталирането.

### Свързване към електрическата мрежа

Преди да включите уреда, проверете дали напрежението и честотата, посочени на идентификационната табелка, съответстват на захранването в дома Ви. Уредът трябва да бъде заземен. Захранващият кабел е оборудван с контакт за тази цел. Ако контактът в дома Ви не е заземен, свържете уреда към отделно заземяване в съответствие с действащите разпоредби, като се

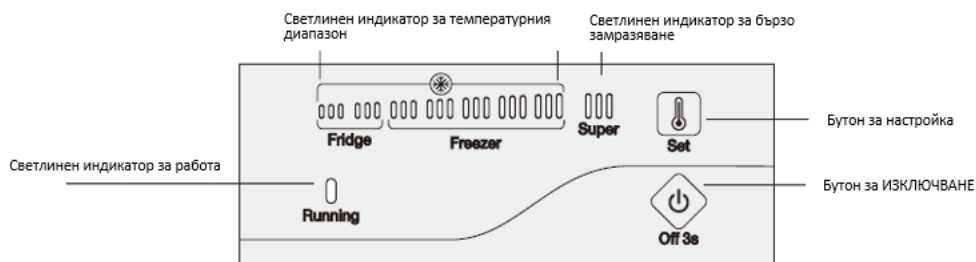
консултирате с квалифициран електротехник. Производителят не носи никаква отговорност, ако не се спазват посочените по-горе мерки за безопасност.

## Почистване на вътрешната част

Преди да използвате уреда за първи път, измийте вътрешната част и всички вътрешни аксесоари с леко топла вода и с неутрален препарат за миене, за да отстраните специфичната миризма на нов продукт, след това изсушете ги добре.

**Важно!** Не използвайте абразивни препарати за миене или прахове, защото ще повредят повърхностите.

## Настройка на температурата



### Поведение на индикаторите при включване на захранването на уреда

След включване на захранването на уреда всички светлинни индикатори светват за 1 секунда, след което уредът ще работи в настроен режим преди изключване на захранването.

### Настройка на температурата

Натиснете върху бутона „SET“, за да настроите температурата. Натиснете веднъж и светлинният индикатор за температурния диапазон ще светне. Настройте желаното ниво на температурата и електронният термостат ще потвърди настройката автоматично след 5 секунди.

Когато светят всички светодиодни лампи на светлинния индикатор за температурния диапазон, натиснете върху бутона „SET“. Индикаторът „SUPER“ светва и функцията за бързо замразяване се активира след 5 секунди. Натиснете отново върху бутона „SET“. Индикаторът „SUPER“ изгасва, след което уредът превключва в режим на работа „Хладилник“.

### Препоръки относно настройките

- Препоръка за режим на работа „Хладилник“



- Препоръка за режим на работа „Фризер“



- Режим на работа „Бързо замразяване“



### Състояние на светодиодния индикатор

Светодиоден индикатор за температурния диапазон (син):

- Температурен диапазон за режим на работа „Хладилник“ (нива 1, 2)
- Температурен диапазон за режим на работа „Фризер“ (нива 3, 4, 5, 6, 7)

**Светодиоден индикатор за бързо замразяване (син):** Когато е активна функцията за бързо замразяване, светодиодният индикатор е светнат. Когато не е активна функцията за бързо замразяване, светодиодният индикатор е изгаснат.

**Светодиоден индикатор за работа (зелен):** Когато компресорът работи, светодиодният индикатор е светнат. Когато компресорът не работи, светодиодният индикатор е изгаснат.

**След 30 минути от извършването на настройките интензивността на светлината на светодиодния индикатор намалява.**

**Функция за запаметяване на настройките:** В случай на прекъсване на захранването с електроенергия настройките ще бъдат запаметени. След възстановяване на захранването с електроенергия, уредът ще работи съгласно настройките, които са извършени преди прекъсването.

**Изключване на уреда:** За да изключите уреда, натиснете и задръжте натиснат бутона „OFF 3s“ за 3 секунди.

## Замразяване на пресни храни

Фризерът е подходящ за замразяване на пресни храни и за продължително съхранение на замразени и дълбоко замразени храни.

Поставете пресните храни за замразяване в най-долното отделение.

Максималното количество храни, което може да бъде замразено за 24 часа е посочено на идентификационната табелка.

Процесът на замразяване продължава 24 часа. През този период не трябва да се добавят други храни за замразяване.

## Съхранение на замразени храни

При първоначално включване или след продължителен период извън употреба. Преди поставянето на продукта в отделението оставете уреда да работи най-малко 2 часа при по-високите стойности на настройките.

**Важно!** В случай на непредвидено размразяване, например ако електрозахранването е било изключено за по-дълго време от посоченото в графиката на техническите характеристики като „време извън работен режим“, размразените храни трябва бързо да се изконсумират или веднага да се сготвят и след това отново да се замразят (след приготвянето).

## Размразяване

Преди да се използват, дълбоко замразените или замразени храни, може да се размразят в хладилно отделение или при стайна температура, в зависимост от времето, с което разполагате за тази операция.

По-малките бройки могат да се приготвят дори и още замразени, направо от фризера. В този случай готвенето ще отнеме повече време.

## Полезни съвети и идеи / Съвети за замразяване

За да ви помогнем да извлечете максимума от процеса на замразяване, ето някои важни съвети:

Процесът на замразяване продължава 24 часа. През този период не трябва да се добавят други храни за замразяване;

Замразявайте само висококачествени, пресни и старателно почистени продукти;

Пригответе храната на малки порции, за да може тя да бъде бързо и напълно замразена, и да може да се размразява само необходимото количество;

Завивайте храните в алуминиево фолио или полиетилен и се погрижете опаковките да са херметически затворени;

Не позволявайте пресни, незамразени храни да се допират до вече замразени такива, избягвайки по този начин повишаването на температурата на последните;

Постните храни се съхраняват по-добре и по-дълго от мазните; солта скъсява срока на съхранение на храните;

ледите, ако се консумират веднага след изваждане от фризерното отделение, могат да причинят изгаряния от студ по кожата;

## Функция Winter Security (Защита от студ)

Защитата от студ представлява капацитета на хладилната ракла да работи и при температури от -15 градуса по Целзий, като това е техническа характеристика, която произтича от конструкцията на уреда. Тя не е свързана с климатичния клас, към който принадлежи продукта, и може да се активира от контролния панел, настройвайки температурата на MAX. Вследствие на тази настройка, компресорът започва да работи при температура до -15 градуса по Целзий.

Препоръчително е да се укаже датата на замразяване на всяка отделна опаковка, за да можете да следите за срока на съхранение.

## Съвети за съхранение на замразени храни

За да получите най-добри резултати от работата на този уред, трябва:

Максималното количество храна, което може да бъде замразено за 24 часа, е посочено на табелката с данни.

да се уверите, че замразените в заводски условия хранителни продукти са били правилно съхранявани от търговеца на дребно;

За да стартирате функцията SUPER 24 часа преди поставяне на храна в уреда, може да спомогнете за най-добрия капацитет на замразяване;

да се погрижите замразените храни да стигнат от хранителния магазин до фризера в най-кратки срокове;

да не отваряте вратата често или да я оставяте отворена по-дълго, отколкото е абсолютно необходимо.

Веднъж размразена, храната се разваля бързо и не може да се замразява повторно.

Не надвишавайте срока на съхранение, посочен от производителите на храните.

За да избегнете заразяването на храни, спазвайте инструкциите по-долу:

- Ако вратата на уреда е оставена отворена за дълъг период от време, температурата в отделенията на уреда се увеличава значително.
- Почиствайте периодично повърхностите, които могат да влязат в контакт с храните, както и източващите системи на уреда.
- Фризерните отделения с две звезди са подходящи за съхранение на предварително замразени храни, за съхранение или приготвяне на сладолед и за производство на кубчета лед.
- Отделенията с една, две и три звезди не са подходящи за замразяване на пресни храни.

Забележка: Моля, съхранявайте храните в подходящите отделения и при препоръчаните температури за съхранение.

- Ако хладилният уред ще бъде оставен празен за дълъг период от време, изключете го, размразете го, почистете го, избършете го добре и оставете вратата му отворена, за да се предотврати образуването на мухъл във вътрешността му.
- Когато замразявате храни, уверявайте се, че не се допират до вътрешните повърхности на фризерното отделение.
- Когато замразявате храни, за предотвратяване на тяхното изсушаване и на разпространението на миризми, съхранявайте ги в плътно затворени съдове или торбички, произведени от материали, които нямат вкус и са водоустойчиви и нетоксични.
- Горещите храни трябва да се оставят да се охладят до стайната температура и след това да се поставят във фризерното отделение. В противен случай ще повлияят на състоянието на другите храни и ще увеличат разхода на електроенергия.

Пореден номер	Тип на отделението	Препоръчвана температура за съхранение [°C]	Храни
1	Охлаждане	+2 ≤ +6	Яйцата, готвените храни, пакетирани храни, плодовете и зеленчуците, млечните продукти, сладкишите и напитките не са подходящи за замразяване.
2	(***)*- Замразяване	≤ -18	Морските дарове (рибата, скаридите, ракообразните), водните и месните продукти са подходящи за замразяване (препоръчва се тяхното съхранение за 3 месеца; колкото повече е времето за съхранение, толкова повече се губят вкуса и хранителните свойства).
3	***-Замразяване	≤ -18	Морските дарове (рибата, скаридите, ракообразните), водните и месните продукти не са подходящи за замразяване (препоръчва се тяхното съхранение за 3 месеца; колкото повече е времето за съхранение, толкова повече се губят вкуса и хранителните свойства).
4	** -Замразяване	≤ -12	Морските дарове (рибата, скаридите, ракообразните), водните и месните продукти не са подходящи за замразяване (препоръчва се тяхното съхранение за 2 месеца; колкото повече е времето за съхранение, толкова повече се губят вкуса и хранителните свойства).
5	*-Замразяване	≤ -6	Морските дарове (рибата, скаридите, ракообразните), водните и месните продукти не са подходящи за замразяване (препоръчва се тяхното съхранение за 1 месец; колкото повече е времето за съхранение, толкова повече се губят вкуса и хранителните свойства).

## 11. ПОЧИСТВАНЕ И РАЗМРАЗЯВАНЕ НА ФРИЗЕРА

От хигиенни съображения вътрешността на уреда, включително и аксесоарите, трябва да се почиства редовно.

**Внимание!** По време на почистване уредът не трябва да бъде свързан към електрическата мрежа.

**Опасност от токов удар!** Преди почистване изключете уреда и извадете щепсела от електрическата мрежа, или изключете или развийте автоматичния прекъсвач или предпазителя. Никога не почиствайте уреда с пароструйка. Може да се натрупа влага в електрическите компоненти. Горещата пара може да доведе до увреждане на пластмасовите части. Уредът трябва да бъде сух преди да бъде пуснат отново в експлоатация.

**Важно!** Етеричните масла и органичните разтворители като например лимонов или портокалов сок, маслена киселина, препарати за почистване, съдържащи оцетна киселина, могат да разядат пластмасовите части.

Да не се допуска такива вещества да влязат в контакт с частите на уреда.

Да не се използват абразивни почистващи препарати.

Извадете храните от фризера. Съхранете ги на хладно място и добре покрити.

Изключете уреда и извадете щепсела от електрическата мрежа, или изключете или развийте автоматичния прекъсвач или предпазителя.

Почистете уреда и аксесоарите с кърпа и хладка вода.



След почистването избършете с чиста вода и подсушете.  
След като всичко бъде подсушено, пуснете уреда отново в експлоатация.

## Размразяване

Фризерът постепенно се покрива със скреж. Той трябва да се отстранява.

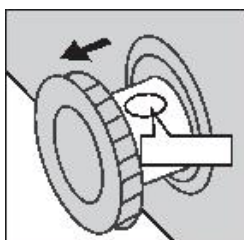
Никога не използвайте остри метални инструменти, за да изстържете скрежа от изпарителя, защото бихте могли да го повредите.

Все пак, когато ледът върху вътрешната обвивка стане много дебел, трябва да се направи пълно размразяване както следва:

Изключете устройството от контакта. Извадете дренажната пробка от вътрешността на фризера. Размразяването обикновено отнема няколко часа. За по-бързо размразяване, оставете вратата на фризера отворена.

За източване, поставете тава под външната дренажна пробка.

Издърпайте дренажния диск.



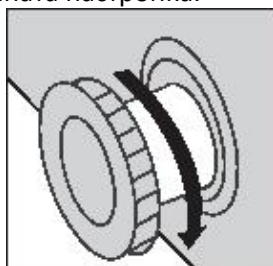
Завъртете дренажния диск на 180 градуса. Това ще позволи на водата да изтече в тавата.

След приключване, натиснете дренажния диск навътре. Завийте обратно пробката във фризера.

Забележка: Наблюдавайте съда под дренажния отвор, за да се избегне преливане.

Забършете вътрешността на фризера и включете щепсела в контакта.

Пренастройте терморегулатора на желаната настройка.



## 12. ОТСТРАНЯВАНЕ НА НЕИЗПРАВНОСТИ

**Внимание!** Преди отстраняването на неизправности, изключете захранването. Само квалифициран електротехник или компетентно лице трябва да отстранява неизправности, които не са посочени в това ръководство.

**Важно!** По време на нормална употреба се чуват някои звуци (от компресора, от циркулацията на хладилния агент).

Проблем	Възможна причина	Решение
Уредът не работи	Щепселът не е включен или е разхлабен	Включете щепсела
	Предпазителят е изгорял или е дефектен	Проверете предпазителя и го сменете, ако е необходимо
	Контактът е дефектен	Повредите по захранването трябва да бъдат отстранени от електротехник.
Храната е прекалено топла	Температурата не е регулирана правилно	Вижте раздела за първоначална настройка на температурата
	Вратата е била отворена за по-дълго	Отваряйте вратата само за необходимото време
	През последните 24 часа в уреда е било поставено голямо количество топла храна	Завъртете временно терморегулатора към по-студено
	Уредът е близо до източник на топлина	Вижте раздела за мястото на инсталиране
Уредът замразява прекалено дълбоко	Зададена е прекалено ниска температура	Завъртете временно терморегулатора към по-топло
Необичайни шумове	Уредът се допира до стената или до други предмети.	Преместете леко уреда
	Някоя част, напр. тръба, на гърба се допира до друга част от уреда или до стената	Ако е необходимо, внимателно огънете частта настрани.
Натрупване на скреж върху уплътнението на вратата	Уплътнението на вратата не е херметично	Внимателно затоплете течашите участъци със сешоар (хладна настройка). Заедно с това оформете затопленото уплътнение, така че да легне правилно

Ако неизправността се появи отново, свържете се със сервизния център.

Тези данни са необходими за да Ви помогнем бързо и точно. Запишете необходимите данни оттук, вижте идентификационната табелка.

## СЕРВИЗ И ОБСЛУЖВАНЕ НА КЛИЕНТИ

Използвайте само оригинални резервни части.

Когато се свързвате с нашия оторизиран сервизен център, уверете се, че имате под ръка следната информация: Наименование на модела и сериен номер.

Информацията може да бъде намерена на табелката с технически данни. Те подлежат на промяна без предварително уведомление.

## ТЕХНИЧЕСКИ ДАННИ

Техническата информация се намира на табелката с технически данни на уреда и на енергийния етикет.

QR кодът на енергийния етикет, предоставен заедно с уреда, предлага веб връзка към информацията в базата данни на EPREL относно постиженията на уреда.

Запазете енергийния етикет за бъдещи справки, заедно с ръководството за употреба и с всички други документи, предоставени заедно с този уред.

Също така, можете да намерите същата информация в базата данни на EPREL, като използвате връзката <https://eprel.ec.europa.eu> и наименованието на модела и серийния номер на продукта, които можете да намерите на табелката с технически данни на уреда.

За достъп до информация за вашия продукт в портала EPREL можете да сканирате кодовете по-долу:



Благодарим ви, че закупихте този продукт! Ако имате нужда от помощ във връзка с вашия продукт, посетете нашия уебсайт, като използвате връзките по-долу:

Получете ръководства за употреба: <https://www.heinner.ro>

Получете информация относно ремонтите: <https://www.heinner.ro>



### Изхвърляне на отпадъците по начин, отговорен за околната среда

Можете да помогнете за опазването на околната среда!

Моля спазвайте местните разпоредби: Предайте нефункциониращото електрическо оборудване на център за събиране на отпадъци от електрическо оборудване.



**HEINNER** е регистрирана марка на компанията **Network One Distribution SRL**. Останалите търговски марки и наименованията на продуктите са търговски марки или регистрирани търговски марки на съответните им притежатели.

Нито една част от спецификациите не може да бъде възпроизвеждана под каквато и да е форма или средство, или използвана за получаване на производни като преводи, трансформации или адаптации, без предварителното съгласие на компанията NETWORK ONE DISTRIBUTION.

Copyright © 2013 Network One Distribution. Всички права запазени.

[www.heinner.com](http://www.heinner.com), <http://www.nod.ro>

<http://www.heinner.com>, <http://www.nod.ro>



Този продукт е проектиран и произведен в съответствие със стандартите и нормите на Европейската общност.



Вносител: **Network One Distribution**

ул. Марчел Янку № 3-5, Букурещ, Румъния

Tel: +40 21 211 18 56, [www.heinner.com](http://www.heinner.com), [www.nod.ro](http://www.nod.ro)

# FAGYASZTÓLÁDA

Modell:

HCF-HM100CE++/HCF-HM100CSE++/HCF-HM100CBKE++

HCF-HM145CE++/HCF-HM145CSE++/HCF-HM145CBKE++



- Teljes űrtartalom: 98/142 L
- Energia hatékonysági osztály: E

**HEINNER**

## 1. BEVEZETÉS

Kérjük, figyelmesen olvassa el az utasításokat, és őrizze meg a kézikönyvet későbbi tanulmányozás céljából. A kézikönyv célja a készülék beszerelésével, használatával és karbantartásával kapcsolatos minden szükséges tudnivalót rendelkezésére bocsátani. A készülék helyes és biztonságos használata érdekében, kérjük, hogy beszerelés és használat előtt olvassa el figyelmesen a használati kézikönyvet.

## 2. AZ ÖN CSOMAGJÁNAK TARTALMA

- ➔ **Fagyasztóláda**
- ➔ **Használati kézikönyv**
- ➔ **Jótállási bizonylat**

## 3. BIZTONSÁGRA VONATKOZÓ INFORMÁCIÓK

A készülék helyes és biztonságos használata érdekében, kérjük, hogy beszerelés és használat előtt olvassa el figyelmesen a használati kézikönyvet, ide értve a javaslatokat és figyelmeztetéseket is. A főleges hibázás és a balesetek elkerülése érdekében, fontos, hogy meggyőződjön arról, hogy minden olyan személy, aki használja ezt a készüléket, minden tekintetben megismerte annak biztonságos használatára vonatkozó jellemzőit. Ezt az útmutatót tegye el és ha a készüléket eladja vagy költözteti, akkor a készülékkel együtt adja tovább ezt is, oly módon, hogy a készülék élettartama alatt bárki is használná azt, legyen helyesen tájékoztatva a készülék helyes és biztonságos használati módjáról. Az élet- és vagyonbiztonság érdekében tartsa be a használati útmutatóban leírt óvintézkedéseket, a gyártó nem felelős a felhasználó mulasztása miatt bekövetkezett károkért.

### A gyermekek és védtelen személyek biztonsága

A készülék nem használható csökkent értelmi, érzékszervi, vagy fizikai képességű személyek által (gyermeket is beleértve), vagy olyanok által, akik nem rendelkeznek a kellő mennyiségű tudással és tapasztalattal, csak felügyelet mellett, vagy ha a felügyeletért és a biztonságukért felelős személy megtanította őket a helyes használatra.

A csomagolást tartsa gyermekektől elzárt helyen. Vigyázat, fulladásveszély!

Hogy elkerülje a gyerekek bezáródását a készülék belsejébe, vagy áramütés elszívését, mielőtt kidobná a készüléket, húzza ki az aljzatból, vágja le az áramellátó kábelt (minél közelebb a készülékhez) és szerelje le a készülék ajtaját.

Ha ez a mágneses ajtóval ellátott készülék, olyan régi készüléket helyettesít, amelynek ajtója, vagy fedele rugóval (retesszel) működik, mielőtt kidobná, bizonyosodjon meg, hogy a rugós rendszer használhatatlan. Így megelőzi, hogy a gyermekek bezáródjanak az eldobott hűtőszekrénybe.

A 3 éves kort betöltött gyermekek kivehetnek és betehetnek.

A gyerekek felügyeletére van szükség, győződjön meg, hogy a gyerekek nem játszanak a készülékkel.

A készülék tisztítását és karbantartását gyermekek nem végezhetik, kivéve, ha már elmúltak 8 évesek, és valaki felügyeli a tevékenységüket.

**VESZÉLY!** Gyerekek bezáródási veszélye. Mielőtt régi készülékét eldobná:

Szerelje le annak ajtóit.

Hagyja a polcokat a helyén annak érdekében, hogy a gyerekek ne tudjanak könnyedén a hűtőszekrénybe mászni.

Vágja le a csatlakozó kábelt (a készülékhez minél közelebb eső ponton).

Ha ez a mágneses zárszerkezettel rendelkező készülék egy régebbi, kilinccsel vagy lakatos zárszerkezettel rendelkező hűtőt hivatott helyettesíteni, kérjük, hogy mielőtt a régi készüléket eldobná, győződjön meg róla, hogy annak zárszerkezete használhatatlan. Így megakadályozhatja, hogy a régi készüléke gyerekek halálos csapdájává váljon.

Figyelem! A készülék belsejében levő, vagy a szerkezet részét képező szellőzőjáratokat hagyja szabadon.  
Figyelem! Csak a gyártó által ajánlott mechanikai vagy egyéb eszközöket használja a kiolvasztás felgyorsítására.

Figyelem! Ne sértse meg a hűtőkört.

**Figyelem!** Ne használjon a készülék belső légterében oda nem tartozó elektromos készülékeket (mint például fagylalatkészítő készüléket), csak akkor, ha ezt a gyártó külön engedélyezte.

Ebben a készülékben ne tároljon robbanékony anyagokat, úgy mint aeroszolos dobozokat, melyek gyúlékony hajtóanyagot tartalmaznak.

A készülék szállítása és üzembe helyezése során, győződjön meg róla, hogy a hűtőkör egyetlen eleme sem sérült meg.

Kerülje a nyílt tűz és a tűzveszélyes anyagok használatát

Legyen jó szellőző rendszere annak a helyiségnek, ahol a készülék található

A technikai paraméterek kiegészítése vagy a termék bármilyen formában történő módosítása veszélyes.

A tápkábel bármilyen formájú meghibásodása rövidzárlatot, tüzet és/vagy áramütést okozhat.

Ezt a készüléket háztartási és ahhoz hasonló környezetben való felhasználásra tervezték, úgy mint:

- Boltok, irodák és más munkahelyek konyhája;
- Farmokon, szállodákban, motelekben és más hasonló lakhatási helyiségben.
- Hostel típusú helyeken;
- Catering szolgáltatásokhoz és más non-retail felhasználásra.

Figyelem! Bármely elektromos részt (a dugasz, a tápkábel, a kompresszor stb.) csakis engedéllyel rendelkező szakszervizben vagy szakképzett szerelő által szabad kicserélni.

Ne rángassa a tápkábelt.

A berendezés csak 220~240V/50Hz, egyfázisú váltóáramú hálózatról működtethető. Amennyiben a felhasználó lakhelyén a feszültség értéke nem esik a fenti feszültség tartományba, a biztonsági előírásoknak való megfelelés céljából egy automata 350 W-nál nagyobb teljesítményű AC feszültségszabályozó berendezés használatát javasoljuk. A berendezést külön aljzatról kell működtetni, nem olyanról, amelyhez már más elektromos berendezések is csatlakoznak. A dugasznak kompatibilisnek kell lennie a földeléses aljzattal.

**NE HASZNÁLJON HOSSZABBÍTÓT.** Használjon olyan fali csatlakozóaljzatot, amelybe csak egy készülék csatlakoztatható. Ne csatlakoztassa a mélyhűtőt hosszabbító által vagy olyan fali csatlakozóba, melyhez más készülék is csatlakozik.

Győződjön meg, hogy a készülék hátsó része nem nyomta össze vagy rongálta meg a tápkábelt. Egy összenyomott vagy sérült tápkábel túlhevülhet és tüzet okozhat.

Győződjön meg, hogy elérhető helyen van a csatlakozóaljzat, ahová a készüléket csatlakoztatta.

Ne húzza a tápkábelt.

Ha a fali csatlakozóaljzat túl tág, ne csatlakoztassa a dugaszt. Áramütés vagy tűz veszélye áll fenn.

Ne használja a készüléket világítótest nélkül.

Ez a készülék súlyos. Mozgassa óvatosan.

Nedves/vizes kézzel ne vegyen ki és ne érintse meg a fagyasztóládában levő dolgokat, ez bőrleválást vagy szövetrészek fagyását okozhatja.

Vigyázzon, hogy a napsugarak hosszas időre ne érhessék a készüléket.

**FIGYELMEZTETÉS!** A hűtőanyag és a szigetelőgáz gyúlékony. A készüléket csak hivatalos hulladékgyűjtő központba vigye kiselejtezőskor. Ne égesse el a készüléket.

**FIGYELMEZTETÉS!** A berendezés elhelyezése során figyeljen arra, hogy a tápkábelt ne nyomja össze és ne rongálja meg.

**FIGYELMEZTETÉS!** Ne helyezzen a berendezés mögé elosztókat vagy hordozható áramforrásokat.

**FIGYELMEZTETÉS!** Az égőket ne a felhasználó cserélje ki! Amennyiben az égők meghibásodnak, cseréjük érdekében forduljon szakképzett személyekhez. Ez a figyelmeztetés csak az égőkkel felszerelt hűtőkre vonatkozik.

## Hűtőfolyadék

A készülék hűtőfolyadék rendszere R-600a (izobután) hűtőfolyadékot tartalmaz, amely egy természetes gáz, magas szintű környezeti kompatibilitással, de gyúlékony. Győződjön meg, hogy szállítás és felállítás idején a

hűtőfolyadék keringési rendszerének egyetlen eleme sem rongálódott meg. A hűtőfolyadék (R-600a) gyúlékony.

**FIGYELMEZTETÉS!** A hűtőszekrények hideghordozó közeget és veszélyes gázokat tartalmaznak. A hideghordozó közeget és a gázokat megfelelő módon kell eltávolítani, mert ezek szemsérüléseket okozhatnak vagy meggyúlhatnak. A készülék mozgatása előtt győződjön meg róla, hogy a hűtőkör csövezete nem sérült.



**FIGYELEM! TŰZVESZÉLY!**

A mélyhűtő körfolyam meghibásodása esetén:

- Kerülje a nyílt láng használatát és a tűzforrásokat.
- Alaposan szellőztesse ki a helyiséget, amelyben a készülék található. A készülék jellegzetességeinek bármely megváltoztatása vagy módosítása veszélyes.



**FIGYELEM!** Használat, szerviz és ártalmatlanítás során a kérjük, vegye figyelembe, hogy a bal oldali szimbólum hasonló amely a készülék hátulján található (hátsó panel vagy kompresszor) és sárga vagy narancssárga színű. Tűzveszélyjelző szimbólum. Gyúlékony anyagok vannak hűtőközeg csövek és kompresszor. Kérjük, távolítsa el a tűzforrást a használat, a szerviz és a használat közben rendelkezésére.

## 4. MINDENNAPI HASZNÁLAT

Ne helyezzen a hűtőszekrénybe meleg élelmiszereket.

A fagyasztott élelmiszerek kiolvasztást követően nem fagyaszthatók vissza.

Az előre csomagolt fagyasztott élelmiszerek a gyártó utasításainak megfelelően tárolandók.

A készülék gyártója által kibocsátott, a tárolásra vonatkozó ajánlásokat szigorúan be kell tartani. Tanulmányozza a megfelelő utasításokat.

A hűtőládában ne tároljon szénsavas italokat, mivel ez nyomást gyakorol az edényre, amely elrobbanhat, és megrongálhatja a készüléket.

A pálcikás fagyaltat fagyási sérülést okozhat, ha közvetlenül a készülékből való kivételét követően fogyasztjuk.

## 5. KARBANTARTÁS ÉS TISZTÍTÁS

A karbantartási munkálatok megkezdése előtt, húzza ki a dugaszt a fali csatlakozóaljzattól.

Ne tisztítsa a készüléket fémtárgyakkal.

Ne használjon éles tárgyakat a jég eltávolításához. Használjon műanyag kaparót.

Rendszeresen ellenőrizze a fagyasztóládából esetlegesen kifolyó folyadékot, az olvadás által víz keletkezik.

Ha szükséges, tisztítsa meg a lefolyónyílást.

### A készülék belsejének tisztítása

Mielőtt először használná, takarítsa ki a készülék belsejét és minden belső tartozékát langyos vízzel és semleges tisztítószerrel, hogy elűzhesse az új termékekre jellemző szagot, majd jól szárítsa ki a készüléket.

Fontos! Ne használjon maró hatású vegyszereket, mert ezek károsítják a készülék felületeit.

## 6. BESZERELÉS

### Fontos!

Az elektromos csatlakoztatáshoz kövesse figyelmesen a megfelelő fejezetekben leírt utasításokat.

Csomagolja ki a készüléket és ellenőrizze, hogy megsérült-e. Ha a készülék sérült, ne csatlakoztassa az áramforráshoz. Az esetleges sérüléseket azonnal jelentse az eladónak. Ilyen esetben őrizze meg a csomagolást.

Javasoljuk, hogy a készülék villamos hálózatra csatlakoztatása előtt várjon legalább négy órát, hogy az olaj folyjon vissza a kompresszorba.



A készülék körül megfelelő módon kell, hogy áramoljon a levegő, ennek hiányában az túlhevülhet. A megfelelő levegőzés biztosítása érdekében, kövesse a beüzemelésre vonatkozó utasítások megfelelő részeit. Amennyiben lehetséges, a készülék távolságtartóit helyezze egy fal irányába, hogy elkerülje a meleg részek (kompresszor, kondenzátor) érintését, vagy megfogását, az égési sérülések megelőzése érdekében. A készüléket ne helyezze hősugárzó vagy gázkályha közelébe.

## 7. JAVÍTÁSOK ÉS ENERGIATAKARÉKOSSÁG

A készülék javításával kapcsolatos elektromos munkákat minősített villanszerelőnek vagy illetékes személynek kell elvégeznie.

A készüléket engedélyezett szervizben kell javíttatni, és kizárólag eredeti pótalkatrészeket kell használni.

Ne helyezzen a hűtőszekrénybe meleg élelmiszereket.

Az élelmiszereket ne csomagolja egybe, mert megakadályozza a levegő áramlását.

Győződjön meg, hogy az élelmiszerek nem érnek hozzá a rekeszek hátsó falához.

Ha megszakad az áramszolgáltatás, ne nyissa ki az ajtót (ajtókat).

Ne nyissa ki túl gyakran az ajtót (ajtókat).

Ne tartsa nyitva az ajtót (ajtókat) hosszabb ideig.

Ne állítsa a termosztátot túl alacsony hőmérsékletre.

Egyes kiegészítőket, mint a rekeszek vagy fiókok, el lehet távolítani, hogy nagyobb tárolási felületet nyerjünk csökkentett energiafogyasztással.

Az alacsony energiafogyasztás érdekében minden tartozékot, például a polcokat, fiókokat és az ajtópolcokat az előre meghatározott pozícióban kell elhelyezni.

## 8. A KÖRNYEZETÜNK VÉDELME

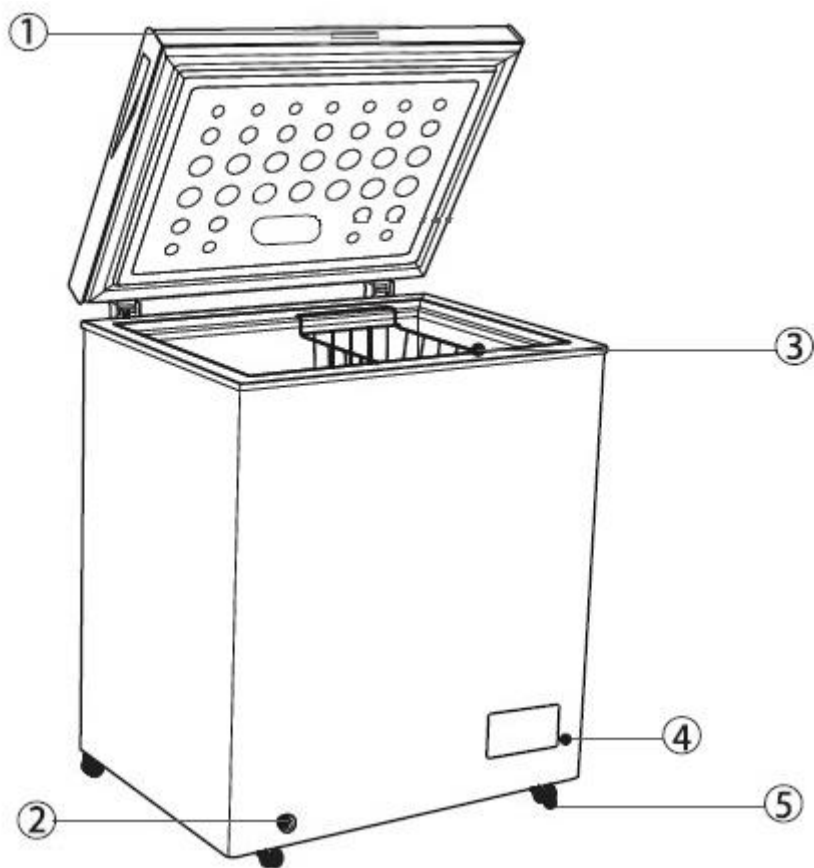
### Csomagolóanyagok

A megfelelő szimbólummal ellátott anyagok újrahasznosíthatóak. A csomagolóanyagokat a megfelelő szelektív hulladékgyűjtőbe dobja, hogy újrahasznosításra kerüljenek.

### A készülék leselejtezése

1. Húzza ki a dugaszt a fali csatlakozóaljzatból.
2. Vágja le az áramforráshoz vezető huzalt és dobja el.

## 9. A TERMÉK LEÍRÁSA



1. Fogantyú	4. Termostát kezelőpanel
2. Lefolyónyílás	5. Kerék
3. Kosár	

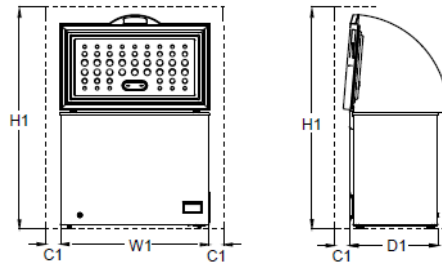
A termék lehető leghatékonyabbá tétele érdekében kérjük, helyezze a polcokat és a fiókokat a fenti ábrán látható pozíciókba.

A fenti ábra kizárólag tájékoztató jellegű.

**Megjegyzés:** Ez a hűtőszekrény nem használható beépített készülékként. A fenti kép szigorúan tájékoztató jellegű. A tényleges termék kinézetében eltérő lehet.

## 10. MINDENNAPI HASZNÁLAT

### Helyigény



Modell	W1 / mm (termék szélessége)	D1 / mm (termék magassága)	H1 / mm (minimális magasság)	C1 / mm (minimális rés)
HCF-HM100CE++ HCF-HM100CSE++ HCF-HM100CBKE++	545	545	845	100
HCF-HM145CE++ HCF-HM145CSE++ HCF-HM145CBKE++	705	545	845	100

### Elhelyezés

Kérjük, helyezze a készüléket olyan helyre, ahol a környezeti hőmérséklet megfelel a készülék műszaki adatokat tartalmazó lapján található klímaosztálynak:

- kiterjesztett mérsékelt övi: Ezt a hűtőkészüléket 10 °C és 32 °C közötti környezeti hőmérsékleten való használatra tervezték (SN);
- mérsékelt övi: Ezt a hűtőkészüléket 16 °C és 32 °C közötti környezeti hőmérsékleten való használatra tervezték (N);
- szubtrópusi övi: Ezt a hűtőkészüléket 16 °C és 38 °C közötti környezeti hőmérsékleten való használatra tervezték (ST);
- trópusi övi: „Ezt a hűtőkészüléket 16 °C és 43 °C közötti környezeti hőmérsékleten való használatra tervezték (T);

### Elhelyezkedés

A készüléket a hőforrásoktól, mint fűtőtestek, melegvíz-tároló és a közvetlen napfénytől távol kell elhelyezni. A fagyasztó hátsó oldalán biztosítsa a levegő szabad áramlását. A jó teljesítmény biztosítása érdekében, amennyiben a készülék egy felfüggesztett bútordarab alá van elhelyezve, a készülék felső része és a bútor közötti távolságnak minimum 100 mm-nek kell lennie. Mindazonáltal, ideális körülmények között, kerülni kell a készülék felfüggesztett bútor alá helyezését. A pontos vízszintbe helyezést a készülék alján található, állítható lábak biztosítják.

Ez a hűtőszekrény nem használható beépített készülékként.

Figyelem! A beszerelt készüléknél az elektromos vezetéknek és a konnektornak könnyen hozzáférhetőnek kell lennie a beszerelést követően, a csatlakoztatás megszakítása érdekében.

### Elektromos csatlakoztatás

A csatlakoztatás előtt győződjön meg, hogy az adatlapon szereplő áramfeszültség és frekvencia megfelel az Ön házában meglévő áramellátásnak. A készüléket le kell földelni. Ennek érdekében a tápkábelt ellátták egy földelési érintkezővel. Amennyiben a házi áramellátás nem földeléses, külön földelés szükséges, az érvényes rendszabályoknak megfelelően, lépjen kapcsolatba egy szakképzett villanyszerelővel. A gyártó nem vállal

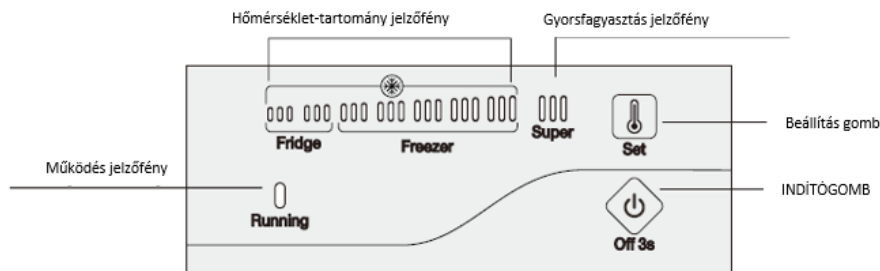
semmilyen felelősséget a termékkel kapcsolatban, amennyiben a fenti biztonsági intézkedések nincsenek betartva.

## A készülék belsejének tisztítása

Mielőtt először használná, törölje le a készülék belsejét és minden belső tartozékát langyos vízzel és semleges tisztítószerrel, hogy elűzhesse az új termékekre jellemző szagot, majd jól szárítsa ki a készüléket.

**Fontos!** Ne használjon maró hatású vegyszereket, mert ezek károsítják a készülék felületeit.

## A hőmérséklet beállítása



### A kijelzők viselkedése a készülék áramellátása során

Az áramellátás indítása után az összes lámpa kigyullad 1 másodpercre, majd a készülék a beállított üzemmódban működik a készülék kikapcsolásáig.

#### Hőmérséklet beállítása

Nyomja meg a „SET” gombot a hőmérséklet beállításához. Nyomja meg egyszer, és a hőmérséklet-tartomány jelzőfénye világítani kezd. Állítsa be a kívánt hőmérsékleti szintet, és az elektronikus termosztát 5 másodperc múlva automatikusan megerősíti a beállítást.

Ha a hőmérséklet-tartomány jelzőfényének összes LED-je világít, nyomja meg a „SET” gombot. A „SUPER” jelzőfény bekapcsol, és a gyorsfagyasztás funkció 5 másodperc múlva aktiválódik. Nyomja meg ismét a „SET” gombot. A „SUPER” jelzőfény kialszik, és a készülék a „Hűtő” üzemmódba kapcsol.

#### Beállítási javaslatok

- Javaslatok „Hűtő” üzemmódban



- Javaslatok „Fagyasztó” üzemmódban



- „Gyorsfagyasztó” üzemmód



#### LED-es fényjelző állapota:

Hőmérséklet-tartomány fényjelző (kék):

- „Hűtő” üzemmód hőmérséklet-tartománya (1., 2. szint)
- „Fagyasztó” üzemmód hőmérséklet-tartománya (3., 4., 5., 6., 7. Szint)

**Gyorsfagyasztás LED-es fényjelzője (kék):** Amikor a gyorsfagyasztó funkció aktív, a LED-es jelzőfény világít. Amikor a gyorsfagyasztó funkció inaktív, a LED-es jelzőfény nem világít.

**Működés LED-es fényjelzője (zöld):** Amikor a kompresszor működik, a LED-es jelzőfény világít. Amikor a kompresszor nem működik, a LED-es jelzőfény nem világít.

**A beállításoktól számított 30 perc elteltével a LED-jelzőfény fényereje csökken.**

**Beállítások mentése funkció:** áramszünet esetén a beállítások mentésre kerülnek. Az áramellátás helyreállása után a készülék az áramkimaradás előtt elvégzett beállításoknak megfelelően fog működni.

**Készülék kikapcsolása:** a készülék kikapcsolásához nyomja meg és tartsa lenyomva az „OFF 3s” gombot 3 másodpercig.

## A friss élelem fagyasztása

A fagyasztó alkalmas a friss élelmek lefagyasztására és a fagyasztott élelmek hosszú távú tárolására.

Helyezze be a friss élelmeket az alsó rekeszbe.

A 24 óra alatt lefagyasztható maximális mennyiség megtalálható a technikai adatokat tartalmazó címkén.

A fagyasztási eljárás 24 órát vesz igénybe: ebben az időintervallumban ne adjon hozzá újabb élelmiszereket fagyasztás céljából.

## A fagyasztott élelem tárolása

Az első indítás alkalmával vagy ha egy ideig a készülék használaton kívül volt. Kapcsolja be, majd hagyja a leghidegebb hőmérsékletre állítva legalább 2 órát működni, anélkül hogy élelmiszereket tenne bele.

Fontos! Véletlen kiolvadás esetén, például áramszünet miatt, amennyiben az áramszünet tovább tart, mint a műszaki jellemzők táblázatában feltüntetett érték, a kiolvadt élelmiszereket gyorsan el kell fogyasztani, vagy azonnal megkészíteni és így lefagyasztani (főzés után).

## Kiolvasztás

Felhasználás előtt a fagyasztott élelmiszerek a hűtőtérben vagy szobahőmérsékleten olvaszthatók ki, a kiolvasztásra rendelkezésre álló időtől függően.

A kis darabokat fagyasztott állapotban is főzhetjük, úgy ahogyan kivettük a fagyasztóból. Ebben az esetben a főzés ideje hosszabb lesz.

Tippek és hasznos tanácsok / Fagyasztási tanácsok

A fagyasztási folyamat legjobb kihasználására, íme, néhány fontos javaslat:

A fagyasztási eljárás ideje: 24 óra. E folyamat idején nem szabad újabb élelmiszereket a fagyasztótérbe tenni;

Csakis jó minőségű, friss és tiszta élelmiszereket fagyasszon;

Az élelmiszereket ossza kisebb adagokra, hogy gyorsabban megfagyjanak, és lehető legyen pontosan a kívánt mennyiséget kiolvasztani;

Az élelmiszereket csomagolja be alumínium vagy polietilén fóliába és győződjön meg róla, hogy jól be lettek csomagolva;

Győződjön meg róla, hogy a friss, nem fagyasztott élelmiszerek nem érintkeznek a már mélyfagyasztott élelmiszerekkel, így elkerülheti ez utóbbi hőmérsékletének növekedését;

A zsíradék nélküli élelmiszerek hosszabb ideig, jobban tartósíthatóak; a só csökkenti az élelmiszerek tartósíthatósági időszakát;

A jég, ha közvetlenül a fagyasztóból fogyasztjuk, fagyási sérülést, bőrkárosodást okozhat;

## A Winter Security funkció (Fagyvédelem)

A fagyvédelmi funkció a hűtőláda azon képességét jelenti, hogy akár -15 Celsius fokon is működik, ez a mélyhűtő felépítéséből fakadó technikai tulajdonság. Ennek nincs köze a termék energiaosztályához, a irányítópanóról lehet bekapcsolni ha a hőmérsékletet a MAX pozícióra állítjuk. Ezen a beállításon a kompresszor akár -15 Celsius fokig is működik.

Ajánlatos minden csomagra ráírni a fagyasztás időpontját, hogy pontosan nyilván tudja tartani a tárolási időszakot.

Ajánlatos minden csomagra ráírni a fagyasztás időpontját, hogy pontosan nyilván tudja tartani a tárolási időszakot.

## Tanácsok a fagyasztott élelmiszerek tárolására

A készülék optimális működése érdekében a következőket javasoljuk:

A 24 órán belül lefagyasztható élelmiszerek maximális mennyiségét a típustábla tartalmazza.

Győződjön meg, hogy a kereskedelemben található fagyasztott élelmiszerek helyesen voltak tárolva az üzletben;

Az SUPER funkció 24 órával az élelmiszer készülékbe történő behelyezése előtt történő elindítása elősegítheti a legjobb fagyasztóképességet;

Gondoskodjon arról, hogy a fagyasztott élelmiszerek az üzletből a lehető legrövidebb idő alatt a hűtőládába kerüljenek;

Ne nyissa ki gyakran a hűtőláda ajtaját, ne hagyja nyitva a szükségesnél hosszabb ideig;

Kioltvasztás után az élelmiszerek gyorsan megromolhatnak, soha ne fagyassza le újra;

Ne haladja meg az élelmiszergyártó által megjelölt tárolási időszakot.

Annak érdekében, hogy az élelmiszerek ne romoljanak meg, tartsa be az alábbi utasításokat:

- Ha a készülék ajtója huzamos ideig nyitva van, akkor a készülék rekeszeiben a hőmérséklet jelentősen megnő.
- Tisztítsa rendszeresen azokat a felületeket, amelyekkel az élelmiszerek érintkezhetnek, valamint a készülék lefolyó rendszerét is.
- A két csillaggal jelölt fagyasztó a gyorsfagyasztott élelmiszerek tárolására, fagylalt készítésére vagy tárolására és jégkocka készítésére alkalmas.
- Az egy, két és három csillagos fagyasztó a friss ételek fagyasztására nem alkalmas.

Megjegyzés: Kérjük, tárolja az élelmiszereket a nekik megfelelő rekeszekben és a nekik megfelelő hőmérsékleten.

- Ha a fagyasztó készülék hosszú ideig üres, kapcsolja ki, takarítsa ki, törölje ki jól és hagyja az ajtaját nyitva, hogy megelőzze a penész keletkezését a készülék belsejében.
- Élelmiszer fagyasztásakor bizonyosodjon meg, hogy az nem érintkezik a fagyasztó belső felületével.
- Élelmiszer fagyasztásakor tárolja ezeket hermetikusan záródó edényekben vagy tasakokban, amelyek ízmentesek, vízzáró képességűek és nem tartalmaznak mérgező anyagokat, elkerülve a tárolt élelmiszerek kiszáradását és az ételszag kiáradását.
- A forró ételt kell hagyni hogy hűljön le szobahőmérsékletre, csak ezt követően tegyük a fagyasztóba. Ellenkező esetben befolyásolják a többi élelmiszer állapotát, illetve megnövekszik az elektromos energia fogyasztás is.

Sorszám :	Fagyasztó rész típusa:	Javasolt tárolási hőmérséklet [°C]	Élelmiszer
1	Hűtés	+2≤+6	Tojás, főtt ételek, csomagolt élelmiszer, gyümölcs és zöldség, tejtermék, a sütemények és italok fagyasztása nem megengedett.
2	(***)*-Fagyasztás	≤-18	A tenger gyümölcsei, hal, garnélarák, rákfélék, akvakultúra-termékek és a húsfélék fagyasztása javasolt (javasolt tárolási idő 3 hónap, a tárolási idő növekedésével fokozatosan veszítenek az ízükből és tápértékükből. )
3	***-Fagyasztás	≤-18	A tenger gyümölcsei, hal, garnélarák, rákfélék, akvakultúra-termékek és a húsfélék fagyasztása nem javasolt (javasolt tárolási idő 3 hónap, a tárolási idő növekedésével fokozatosan veszítenek az ízükből és tápértékükből. )

4	** -Fagyasztás	≤-12	A tenger gyümölcsei, hal, garnélarák, rákfélék, akvakultúra-termékek és a húsfélék fagyasztása nem javasolt (javasolt tárolási idő 2 hónap, a tárolási idő növekedésével fokozatosan veszítenek az ízükből és tápértékükből. )
5	* -Fagyasztás	≤-6	A tenger gyümölcsei, hal, garnélarák, rákfélék, akvakultúra-termékek és a húsfélék fagyasztása nem javasolt (javasolt tárolási idő 1 hónap, a tárolási idő növekedésével fokozatosan veszítenek az ízükből és tápértékükből. )

## 11. A FAGYASZTÓLÁDA TISZTÍTÁSA ÉS LEOLVASZTÁSA

Higiéniai okokból a hűtőszekrény belsejét, ideértve a tartozékokat is, rendszeresen tisztítani kell.

**Figyelem!** Tisztítás idejére a készüléket áramtalanítsa.

**Áramütés veszélye!** Tisztítás előtt kapcsolja ki a készüléket, és húzza ki a dugaszt a fali csatlakozóaljzattól, vagy szakítsa meg az áramellátást vezérlő gombtól, illetve a főbiztosítéktól. A tisztításhoz soha ne használjon gőzkeltő készüléket. A nedvesség lerakódhat az elektromos összetevőkben. A meleg gőz megrongálhatja a műanyag alkatrészeket. Mielőtt ismét üzembe helyezné, győződjön meg, hogy a készülék teljesen kiszáradt.

**Fontos!** Az éterolajak és a szerves oldószerek, mint például a citromlé vagy a narancshéj leve, a vajsav, az ecetsavat tartalmazó tisztítószerek, megrongálhatják a műanyag részeket.

Ne hagyja, hogy ilyen anyagok a készülék komponenseivel érintkezzenek.

Ne használjon dörzshatású tisztítószereket,.

Vegye ki a fagyasztott élelmiszereket a hűtőládából. Helyezze hűvös helyre, jól letakarva.

Kapcsolja ki a készüléket, és húzza ki a dugaszt a fali csatlakozóaljzattól, vagy szakítsa meg az áramellátást vezérlő gombtól, illetve a főbiztosítéktól.

A készüléket és a belső részeket takarítsa meg egy törlőkendővel, langyos vízzel.

Tisztítás után öblítse le tiszta vízzel és törölje szárazra egy száraz törlőkendővel.

Miután minden összetevő teljesen kiszáradt, helyezze ismét működésbe a készüléket.

### Leolvasztás

A fagyasztórészben idővel jég keletkezik. Ezt el kell távolítani.

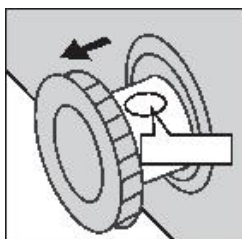
Ne használjon hegyes fémtárgyakat amikor a párologtatóról távolítja el a jeget, mert az megsérülhet.

Mindazonáltal, ha a jégréteg nagyon vastag, teljes leolvasztás javasolt, a következőképpen:

Áramtalanítsa a készüléket. Vegye ki a leeresztő dugót a készülék belsejéből. Kiolvasztás általában ez a művelet néhány órát vesz igénybe. A gyorsabb olvasztás érdekében, a hűtőláda ajtaját tartsa nyitva.

Helyezzen egy tálcát a külső lefolyó nyílás alá, melybe összegyűjtheti a kifolyó vizet.

A lefolyó nyílás dugóját húzza kifelé.

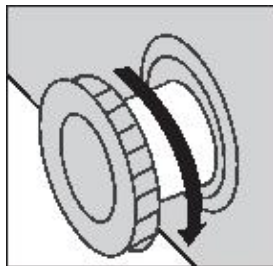


Forgassa el a dugót 180 fokban. Így a víz a tálcába fog folyni.

Az eljárás végén, a lefolyó-nyílás dugóját nyomja vissza. Helyezze vissza a lefolyó-nyílás dugóját.

Megjegyzés: A lefolyó-nyílás alatti tálcát tartsa megfigyelés alatt, nehogy túlságosan megteljen és kifolyjon belőle a víz.

Törölje ki a hűtőláda belsejét, majd ismét csatlakoztassa az áramforráshoz. Állítsa újra a hőmérsékletet a kívánt értékre.



## 12. HIBAELEHÁRÍTÁS

**Figyelem!** Hibaelhárítás előtt szakítsa meg a készülék áramellátását. Azokat a hibákat, amelyek nem szerepelnek ebben a kézikönyvben, kizárólag szakképzett villanyszerelő, vagy illetékes személy háríthatja el.  
**Fontos!** A szokványos használat alatt is hallatszik néhány zaj (kompresszor, a hűtőfolyadék áramlása).

Probléma	Lehetséges ok	Megoldás
A készülék nem működik	A dugasz nincs helyesen bedugva a fali csatlakozóaljzatba vagy az érintkezés nem megfelelő.	Csatlakoztassa a dugaszt a fali csatlakozóaljzatba
	A biztosíték kiégett, vagy meghibásodott.	Ellenőrizze a biztosítékot és ha szükséges cserélje ki
	Meghibásodott a fali csatlakozóaljzat.	Az áramellátási problémákat csakis villanyszerelő oldhatja meg.
Az élelmiszerek túlságosan melegek.	Nincs jól beállítva a hőfok.	Kérjük, olvassa el a kezdeti hőmérséklet-beállítás fejezetet
	Túl hosszú ideig nyitva volt az ajtó	Csak a szükséges időtartamra tartsa nyitva az ajtót
	Az utóbbi 24 óra folyamán nagy mennyiségű nem fagysztott élelmiszer volt behelyezve a készülékbe.	Ideiglenesen állítsa a hőfokszabályozót alacsonyabb hőfokra.
	A készülék hőforrás mellett van	Kérjük, olvassa el a készülék javasolt beüzemelési helyére vonatkozó fejezetet.
A készülék túlzottan fagyaszt.	A hőmérséklet túl alacsony hőfokra van állítva.	Fordítsa a hőmérséklet szabályozót egy magasabb hőmérsékletre
Szokatlan zajok	A készülék hozzáér a falhoz vagy más tárgyhoz.	Óvatosan mozgassa el a készüléket.



	Egy alkatrész (például a készülék hátoldalán levő egyik cső) a készülék más részével vagy a fallal érintkezik.	Szükség esetén gondosan hajlítsa el a komponenst, hogy ez ne érintkezzen semmivel.
Az ajtó tömítésen nagy mennyiségű jég rakódott le.	Az ajtó tömítése nem szigetel jól.	Melegítse gondosan az ajtó tömítés érintett részeit hajszárítóval (hűvös levegőfújásra állítva). Ugyanakkor kézzel mozgassa meg az ajtó tömítést oly módon, hogy az jól elhelyezkedjen.

Amennyiben a hiba ismét jelentkezik, forduljon szakszervizhez.

Ezek az adatok szükségesek, hogy Ön gyors és helyes segítséget kapjon. A szükséges adatokat ide írja be, tanulmányozza a címkét.

### SZERVIZ ÉS ÜGYFÉLSZOLGÁLAT

Kizárólag eredeti cserealkatrészeket használjon.

Mielőtt felvenné a kapcsolatot az engedélyezett szakszervizünkkel, győződjön meg róla, hogy a következő adatok a rendelkezésére állnak: Modell megnevezése és sorozatszám

Ezeket az adatokat a készülék műszaki adattábláján találja. Ezek az adatok előzetes értesítés nélkül is megváltoztathatók.

### MŰSZAKI ADATOK

A termék műszaki adatai a készülék műszaki adattábláján és az energiacímkéjén vannak feltüntetve.

A hűtőszekrény energiacímkéjén található QR-kód egy internetes linket biztosít a készülék teljesítményével kapcsolatos információkhoz, melyek az EPREL adatbázisban találhatóak.

Utólagos tanulmányozás céljából, őrizze meg az energiacímkét a használati útmutatóval valamint a készülék egyéb dokumentumaival együtt.

Úgyszintén, ezeket az információkat az EPREL adatbázisban is megtalálja. Ennek érdekében használja a következő linket: <https://eprel.ec.europa.eu> és adja meg a termék megnevezését és sorozatszámát, amelyeket a készülék műszaki adattábláján talál.

A termékével kapcsolatos információk eléréséhez az EPREL portálon beolvashatja az alábbi kódokat:

HCF-HM100CE++



HCF-HM100CSE++



HCF-HM100CBKE++



HCF-HM145CE++



HCF-HM145CSE++



HCF-HM145CBKE++



Köszönjük, hogy termékünket választotta! Ha termékével kapcsolatosan további információra van szüksége, keresse fel honlapunkat az alábbi linkeket használva:

**A használati útmutatókat innen töltheti le:** <https://www.heinner.ro>

**A javításokra vonatkozó adatokat itt találja:** <https://www.heinner.ro>



#### A hulladékok környezetfelelős eltávolítása

Segíthet a környezet védelmében!

Kérjük, tartsa be a helyi rendelkezéseket: a nem működő elektromos berendezéseket a használt elektromos hulladékokat gyűjtő központba szolgáltatassa be.



**A HEINNER** a **Network One Distribution SRL(KFT)** társaság által bejegyzett védjegy. A többi márkajelzés és a termékek megnevezése kereskedelmi vagy az illető birtoklók által bejegyzett márkanevek.

A műszaki leírások egyik része sem reprodukálható semmilyen formában és semmilyen módon, és nem használható fel fordításra, átváltoztatásra vagy alkalmazásra a NETWORK ONE DISTRIBUTION társaság előzetes beleegyezése nélkül.

Copyright © 2013 Network One Distribution. Minden jog fenntartva.

[www.heinner.com](http://www.heinner.com), <http://www.nod.ro>

<http://www.heinner.com>, <http://www.nod.ro>



A terméket az Európai Közösség előírásainak és jogszabályainak megfelelően tervezték és gyártották.



Importator: **Network One Distribution**

Str. Marcel Iancu, nr. 3-5, București, România

Tel: +40 21 211 18 56, [www.heinner.com](http://www.heinner.com), [www.nod.ro](http://www.nod.ro)