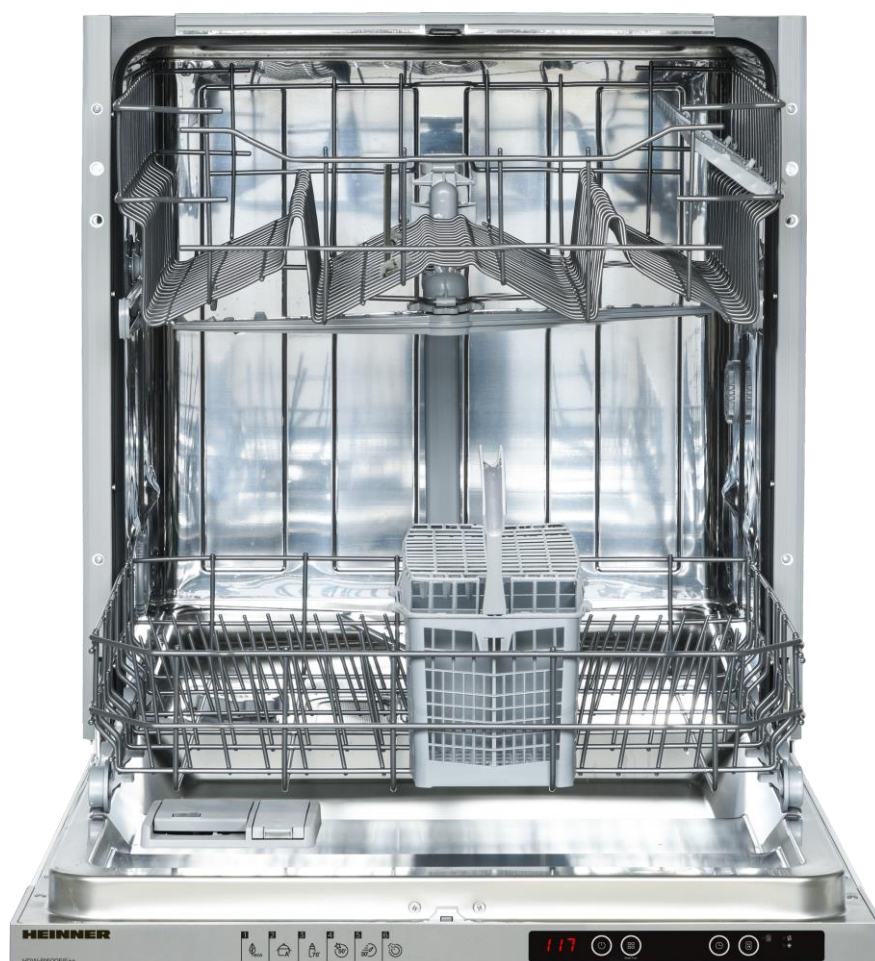


# HEINNER

## DISHWASHER HEINNER

HDW-BI6006IE++



- Dishwasher
- Number of place settings: 12
- Number of programs: 6
- Energy class: E

Thank you for purchasing this product!

## I. INTRODUCTION

***Before using the appliance, please read carefully this instruction manual and keep it for future reference.***

This instruction manual is designed to provide you with all required instructions related to the installation, use and maintenance of the appliance.

In order to operate the unit correctly and safety, please read this instruction manual carefully before installation and usage.

## II. CONTENT OF YOUR PACKAGE



- Dishwasher
- User manual
- Warranty card

### III. SAFETY INSTRUCTIONS

#### General Safety Warnings

- Read these instructions carefully before using your appliance and keep this manual for future reference. Please check the packaging of your machine before installation and the outer surface of the machine once the packaging has been removed. Do not operate the machine if it appears damaged or if the packaging has been opened.
- Packaging materials protect your machine from any damage that might occur during transportation. The packaging materials are environmentally friendly as they are recyclable. Use of recycled material reduces raw material consumption and decreases waste production.
- This appliance can be used by children aged from 8 years and above, and by persons with reduced physical, sensory or mental capabilities or lack of experience and knowledge if they have been given supervision or instruction concerning the use of the appliance in a safe way and understand hazards involved. Children should not be allowed to play with the appliance.
- Remove packaging and keep it out of reach of children.
- Keep children away from detergents and rinse aids.
- There may be some residue left in the machine after washing. Keep children away from the machine when it is open.

#### Installation Warnings

- Choose a suitable and safe place to install your machine.
- Only original spare parts should be used with the machine.
- Unplug the machine before installation.
- Your machine must only be installed by a service agent or a similar qualified person.
- Check that the indoor electrical fuse system is connected in line with safety regulations.
- All electrical connections must match the values on the plate.
- Ensure the machine does not stand on the electrical supply cable.
- Never use an extension cord or a multiple socket connection.
- The plug should be accessible after the machine is installed
- After installation, run your machine unloaded for the first time.
- The machine must not be plugged in during positioning.
- If the electrical cable is damaged, it should only be replaced by a qualified electrician.

#### During Usage

- This machine is for domestic use only; do not use it for other purposes.
- Do not stand, sit or place loads on the open door of the dishwasher.
- Only use detergents and rinse aids produced specifically for dishwashers. Our company is not responsible for any damage that may occur due to misuse.
- Do not drink water from the machine.
- Due to the danger of explosion, do not place any chemical dissolving agents into the machine's washing section.
- Check the heat-resistance of plastic items before washing them in the machine.
- Only put items in the machine which are suitable for dishwashing, and take care not to overfill the baskets.
- Do not open the door while the machine is in operation, hot water may spill out. Safety devices ensure the machine stops if the door is opened.
- The machine door should not be left open. It may cause accidents.

- Place knives and other sharp objects in the cutlery basket in a blade-down position.
- For the models with the automatic door-opening system - when the EnergySave option is active, the door will open at the end of a program. To prevent damage to your dishwasher, do not attempt to close the door for one minute after it has opened. For effective drying, keep the door open for 30 minutes after a programme has ended. Do not stand in front of the door after the auto-open signal sounds. **THIS MODEL DOESN'T HAVE AUTOMATIC DOOR-OPENING SYSTEM.**
- In the case of a malfunction, repair should only be performed by an authorised service company, otherwise the warranty will be void.
- Before repair work, the machine should be disconnected from the mains. Do not pull the cable to unplug the machine. Switch off the water tap.
- Operation at a low voltage will cause a decline in performance levels.
- For safety, disconnect the plug once a program has finished.
- To avoid an electric shock, do not unplug the machine with wet hands.
- Pull the plug to disconnect the machine from the mains, never pull on the cord.

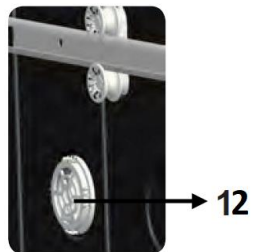
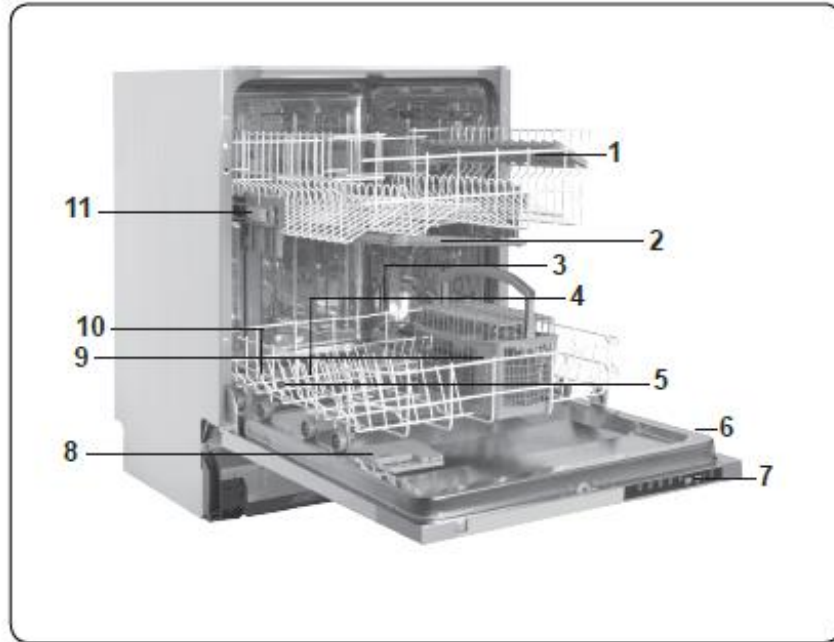
#### **RECYCLING**

- Some machine components and packaging consist of recyclable materials.
- Plastics are marked with the international abbreviations: (>PE<, >PP<, etc.)
- The cardboard parts consist of recycled paper. They can be put into waste paper containers for recycling.
- Material unsuitable for domestic waste must be disposed of at recycling centres.
- Contact a relevant recycling centre to obtain information about disposal of different materials.

#### **PACKAGING AND THE ENVIRONMENT**

Packaging materials protect your machine from damage that may occur during transportation. The packaging materials are environmentally friendly as they are recyclable. The use of recycled material reduces raw material consumption and therefore decreases waste production.

#### IV. PRODUCT DESCRIPTION



1. Upper basket with racks
2. Upper spray arm
3. Lower basket
4. Lower spray arm
5. Filters
6. Rating plate
7. Control panel
8. Detergent and rinse-aid dispenser
9. Cutlery basket
10. Salt dispenser
11. Upper basket track latch
12. Mini Active Drying Unit: This system provides better drying performance for your dishes.

**Technical specifications**

Capacity	12 place settings
Dimensions (mm)	
Height	820 (mm)
Width	598 (mm)
Depth	550 (mm)
Net weight	31.5 kg
Operating voltage / frequency	220-240V 50 Hz
Total current (A)	10(A)
Total power (W)	1900(W)
Water supply pressure	Maximum: 1 (Mpa) Minimum: 0.03 (Mpa)

## V. INSTALLATION

### Machine positioning

- When positioning the machine, place it in an area where dishes can be easily loaded and unloaded. Do not put the machine in an area where the ambient temperature falls below 0°C.
- Read all warnings located on the packaging before removing the packaging and positioning the machine.

Place the machine close to a water tap and drain. Take into consideration that the connections will not be altered once the machine is in position.

- Do not hold the machine by its door or panel.
- Leave an adequate distance around the machine to allow ease of movement when cleaning.
- Ensure the water inlet and outlet hoses are not squeezed or trapped and that the machine does not stand on the electrical cable while positioning.
- Adjust the feet so the machine is level and balanced. The machine should be placed on flat ground otherwise it will be unstable and the door of the machine will not close properly.

### Water connection

We recommend fitting a filter to your water inlet supply in order to prevent damage to your machine due to contamination (sand, rust, etc.) from indoor plumbing. This will also help prevent yellowing and deposit formation after washing.

If models are marked with 25°, the water temperature may be max. 25 °C (cold water).

For all other models: Cold water preferred; hot water max. temperature 60 °C.

### Water inlet hose

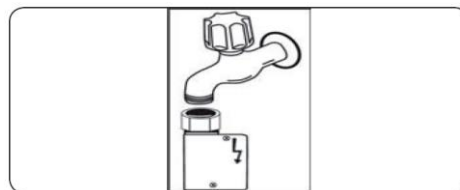


**WARNING:** Use the new water inlet hose supplied with your machine, do not use an old machine's hose.

**WARNING:** Run water through the new hose before connecting.

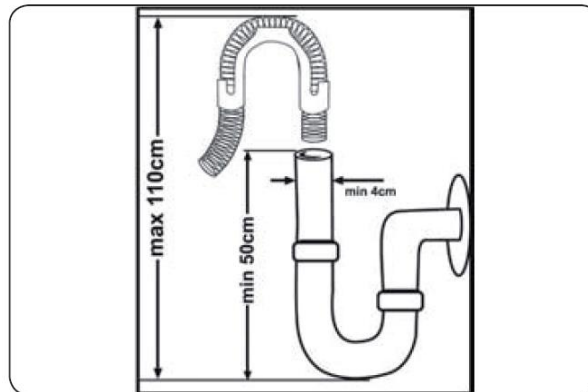
**WARNING:** Connect the hose directly to the water inlet tap. The pressure supplied by the tap should be a minimum of 0.03 MPa and a maximum of 1 MPa. If the pressure exceeds 1 MPa, a pressure relief valve must be fitted between the connection.

**WARNING:** After the connections are made, turn the tap on fully and check for water leaks. Always turn off the water inlet tap after a wash program has finished.



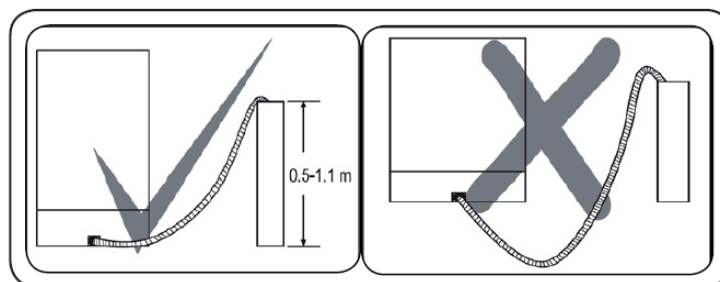
An Aquastop water spout is available. Do not damage it or allow it to become kinked or twisted.

### Drain hose



Connect the water drain hose directly to water drain hole or to the sink outlet spigot. This connection should be minimum 50 cm and maximum 110 cm from floor plane.

**IMPORTANT:** Items will not wash properly if a drain hose longer than 4 m is used.



### Electrical connection

**WARNING:** Your machine is set to operate at 220-240 V. If the mains voltage supply to your machine is 110 V, connect a transformer of 110/220 V and 3000 W between the electrical connection.

- The earthed plug of the machine must be connected to an earthed outlet supplied by suitable voltage and current.
- In the absence of earthing installation, an authorised electrician should carry out an earthing installation. In the case of use without earthing installed, we will not be responsible for any loss of use that may occur.
- The indoor fuse current value should be 10-16 A.



## VI. BEFORE USING THE APPLIANCE

### Preparing your Dishwasher for first use

- Check whether the electricity and supply water specifications match the values indicated in the installation instructions for the machine.
- Remove all packaging materials inside the machine.
- Set the water softener level.
- Fill the rinse aid compartment.

### The importance of water decalcification

For a good washing function, the dishwasher needs soft, i.e. less calcareous water. Otherwise, white lime residues will remain on the dishes and the interior equipment. This will negatively affect your machine's washing, drying and shining performance. When water flows through the softener system, the ions forming the hardness are removed from the water and the water reaches the softness required to obtain the best washing result. Depending on the level of hardness of the inflowing water, these ions that harden the water accumulate rapidly inside the softener system. Therefore, the softener system has to be refreshed so that it operates with the same performance also during the next wash. For this purpose, dishwasher salt is used.

### Fill the salt

Use softener salt specifically produced for use in dishwashers. To fill with softener salt, first remove the lower basket and then open the salt compartment cap by turning it counter clockwise. (1) (2) At first use, fill the compartment with 1 kg salt and water (3) until it is almost overflowing. Using a funnel will make filling easier (4). **The funnel is not provided with the product.**

Replace the cap and close it. After every 20th-30th wash, add salt into your machine until it fills up (approx. 1 kg).

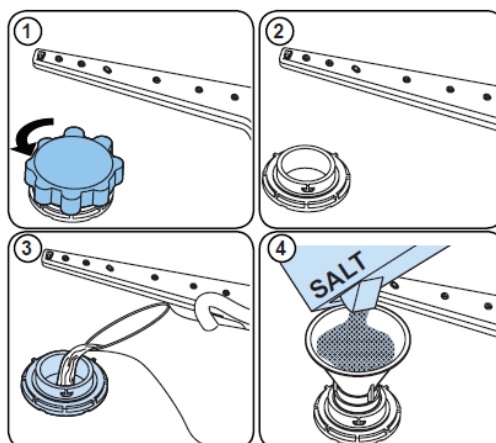
We recommend that you use small grained or powder softener salt. Do not put table salt into your machine. Otherwise the function of the softener compartment may decrease over time. When you start your dishwasher the salt compartment gets filled with water. Therefore, put the softener salt prior to starting your machine. This way, overflowing salt gets immediately cleaned up through the wash operation. If you are not going to wash any dishes immediately after putting salt, then run a short washing program with an empty machine in order to avoid any damage (to prevent corrosion) to your machine due to the salt overflow while filling in the salt container.

### Fill the salt compartment with water the first time you fill the salt compartment only.

Use softener salt specifically produced for use in dishwashers.

When you start your dishwasher, the salt compartment is filled with water, therefore put the softener salt in prior to starting your machine.

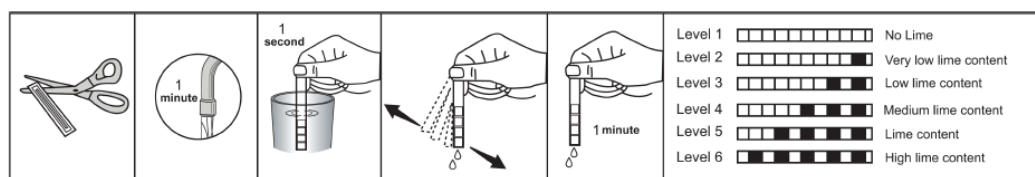
If the softener salt has overflowed and you do not start the machine immediately, run a short washing program to protect your machine against corrosion.



### Testing strip (it's not provided in product package)

The washing effectiveness of your machine depends on the softness of the tap water. For this reason, your machine is equipped with a system that reduces the hardness in mains water supply. The washing effectiveness will increase when the system is correctly set. To find out the water hardness level of water in your area, contact your local water distributor or determine water hardness level by using a test strip(if available).

Open the testing strip.	Run water through your tap for 1 min.	Keep the testing strip in water for 1 sec.	Shake the testing strip after taking it out of water.	Wait for 1 min.	Make your machine's water hardness setting according to the result obtained through the testing strip.
-------------------------	---------------------------------------	--	---	-----------------	--



**NOTE:** Level is set 3 as default. If the water is well water or has a hardness level above 90 dF, we recommend that you use filter and refinement devices.

### Water Hardness Table

Level	German dH	French dF	British dE	Indicator
1	0-5	0-9	0-6	L1 is shown on display.
2	6-11	10-20	7-14	L2 is shown on display.
3	12-17	21-30	15-21	L3 is shown on display.
4	18-22	31-40	22-28	L4 is shown on display.
5	23-31	41-55	29-39	L5 is shown on display.
6	32-50	56-90	40-63	L6 is shown on display.

### Water Softener System

The dishwasher is equipped with a water softener which reduces the hardness in the mains water supply. To find out the hardness level of your tap water, contact your water company or use the test strip (have to be purchased separately, is not provided with the product).

#### Setting

In order to change the salt level, follow the below steps:

- Touch the programme button and hold it down.
- Turn on the machine.
- Hold down the Programme button until "SL" disappears.
- The machine will display the last setting.
- Set the level by touching the Programme button.
- Turn off the machine to save the setting.

**WARNING:** in case of moving, to configure the water hardness setting according to the water hardness of the area you have moved is important for the effectiveness of washing.

### Detergent usage

Only use detergents specifically designed for domestic dishwashers.

Add the recommended amount of detergent for the selected programme to ensure the best performance.

**Recommended usage:** If you want to obtain better results while using combined detergents, add salt and rinse aid into your machine and adjust the water hardness setting and the rinse aid setting to the lowest position.

Solubility of the tablet detergents produced by different companies can vary depending on the temperature and time. Therefore, it is not recommended to use such detergents in short programs. It is more suitable to use powder detergents in such programs.

**Warning:** Should any problem, which you have not encountered before, arise with the use of this type of detergents, contact the detergent manufacturers directly.

**When you give up using combined detergents**

- Fill the salt and rinse aid compartments.
- Adjust the water hardness setting to the highest position (6) and run an empty-wash.
- Adjust the water hardness level.
- Make the suitable rinse aid setting.

**Rinse-aid usage**

The rinse aid helps to dry the dishes without streaks and stains. Rinse-aid is required for stain-free utensils and clear glasses. The rinse aid is automatically released during the hot rinse phase. If rinse aid dosage setting set too low, whitish stains remains on dishes and dishes do not dry and washed clean. If rinse aid dosage setting set too height, you can see bluish layers on glass and dishes.

**Filling with rinse aid and making the setting**

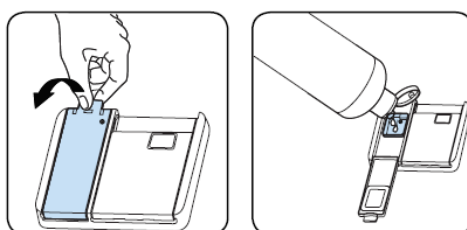
To fill the rinse aid compartment, open the rinse-aid compartment cap. Fill the compartment with rinse aid to the MAX level and then close the cap. Be careful not to overfill the rinse aid compartment and wipe up any spills.

**In order to change the rinse aid level, follow the below steps before turning on the machine:**

- Touch the programme button and hold it down.
- Turn on the machine.
- Hold down the programme button until “rA” disappears. Rinse aid set follows water hardness set.
- The machine will display the current setting.
- Set the level by touching the programme button.
- Switch off the machine to save the setting

The factory setting is “4”.

If the dishes are not drying properly or are spotted, increase the level. If blue stains form on your dishes, decrease the level.



Level	Brightener Dose	Indicator
1	Rinse-aid not dispensed	r1 is shown on the display
2	1 dose is dispensed	r2 is shown on the display
3	2 doses are dispensed	r3 is shown on the display.
4	3 doses are dispensed	r4 is shown on the display.
5	4 doses are dispensed	r5 is shown on the display.

## VII. LOADING YOUR DISHWASHER

For best results, follow these loading guidelines.

We recommend that you place large items (pots, pans, lids, plates and bowls) which are heavily soiled in the lower basket.

The upper basket is designed for delicate and lighter dishware such as glasses, coffee and tea cups and saucers. Position the dishes so that they will not get moved by the spray of water.

Cutlery should be placed in the cutlery basket. Items should be loaded individually into the appropriate slots with their handles downwards. Long utensils should be placed horizontally on the baskets.

**⚠ WARNING:** Take care not to obstruct the rotation of spray arms.

### Recommendations

Remove any coarse residue on dishes before placing the dishes in the machine. Start the machine with full load.

Do not overload the drawers or place dishes in the wrong basket.

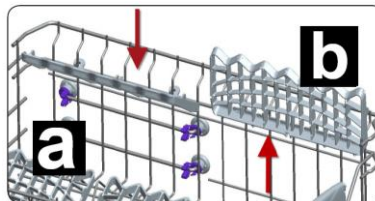
**⚠ WARNING:** Always place sharp utensils with the sharp point down and open utensils with their openings down.

**⚠ WARNING:** Make sure after loading the dishes do not prevent opening the detergent dispenser.

### Top basket

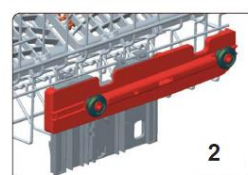
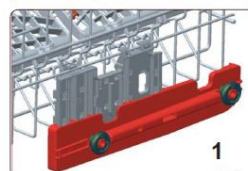
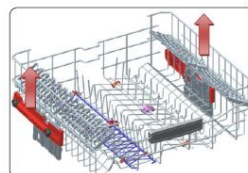
#### Fixed Rack

The upper basket racks can either be open, **(a)**, or closed, **(b)**. Place cups and large utensils (horizontally) on the racks to be washed.

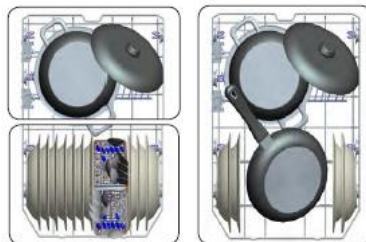


### Height adjustment

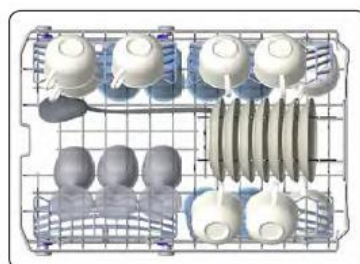
The upper basket includes a mechanism which enables the height of the basket to be adjusted up **(1)** or down **(2)** without having to remove the basket. Hold the basket on both sides and pull it up or push it down, ensuring both sides of the upper basket are in the same position.



### Alternative Basket Loads Lower Basket

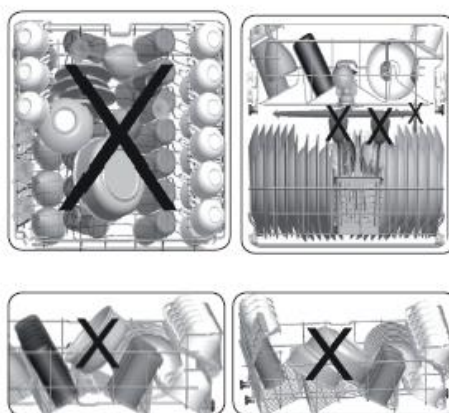


### Top Basket



### Incorrect Loads

Incorrect loading can cause poor washing and drying performance. Please follow the manufacturer's recommendations for a good performance result



### Unsuitable items for dishwashing

- Cigarette ashes, candle leftovers, polish, paint, chemical substances, iron-alloy materials.
- Forks, spoons and knives with wooden, bone, ivory or nacrecoated handles; glued items, items soiled with abrasive, acidic or base chemicals.
- Temperature-sensitive plastics, copper or tincoated containers.
- Aluminium and silver objects.
- Some delicate glasses, ornamental printed porcelains; some crystal items, adhered cutlery, lead crystal glasses, cutting boards, synthetic fibred items.
- Absorbent items such as sponges or kitchen rugs.

**IMPORTANT:** In future, purchase dishwasher-proof kitchenware.

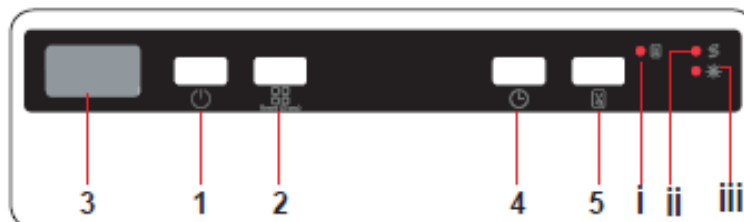
## VIII. PROGRAMME TABLE

	P1	P2	P3	P4	P5	P6
Program Name:	Eco	Auto	Hygiene 70°C	Super 50'	Quick 30'	Prewash
Type of Soil:	Standard program for normally soiled daily using dishes with reduced energy and water consumptions.	Auto program for heavily soiled dishes.	Suitable for heavily soiled dishes requiring hygienic washing.	Suitable for normally soiled daily dishes with faster program.	Suitable for lightly soiled dishes and quick wash.	Suitable to rinse dishes that you plan to wash later.
Level of Soil:	Medium	Heavy	Heavy	Medium	Light	Light
Amount of Detergent: A: 25 cm <sup>3</sup> B: 15 cm <sup>3</sup>	A	A	A	A	A	-
Program Duration (h:min)	3:25	01:25 - 01:57	2:07	0:50	0:30	0:15
Electricity consumption (kWh/cycle)	0.923	1.450 - 1.700	1.9	1.1	0.74	0.02
Water consumption (l/cycle)	<b>12</b>	<b>11.9 - 17.2</b>	<b>16</b>	<b>12</b>	<b>12.4</b>	<b>4.5</b>

- The program duration may change according to the amount of dishes, the water temperature, the ambient temperature and selected additional functions.
- Values given for programmes other than the eco programme are indicative only
- If your model has turbidity sensor, it has Auto program instead of Intensive program.
- Eco programme is suitable to clean normally soiled tableware, that for this use, it is the most efficient programme in terms of its combined energy and water consumption, and that it is used to assess compliance with the EU ecodesign legislation.
- Washing tableware in a household dishwasher usually consumes less energy and water in the use phase than hand dishwashing when the household dishwasher is used according to the manufacturer's instructions
- Only use powder detergent for short programs.
- Short programs do not include drying.
- To assist drying, we recommend slightly opening the door after a cycle is complete.
- You can access the product database where the model information is stored by reading the QR code on the energy label.

NOTE: According to regulations 1016/2010 and 1059/2010, Eco program energy consumption values may differ. This table is in line with regulations 2019/2022 and 2017/2022.

## IX. CONTROL PANEL



1. On/Off button
2. Program Selection Button
3. Display
4. Delay Button
5. Half Load Button
  - i. Half Load Led
  - ii. Salt Indicator
  - iii. Rinse Aid Indicator

### 1. Switch the machine on by pressing

On / Off button. When machine is on, "--" will be shown on the Display (3).

### 2. Program Selection Button

Select a suitable programme for your dishes by pressing Program Selection button. The programme will start automatically when the door is closed.

### 3. Display

The Display shows the number and total time of the selected programme alternately and the remaining time during operation.

### 4. Delay Button

Press the Delay button to delay the start time of the selected programme for 1 hour up to 19 hours. Pressing the button once delays the start time for 1 hour, and continuing to press will increase the delay time. Press the Delay button to change or cancel the delayed start. If you switch off the machine while delay timer is active, the delayed time is cancelled.

### 5. Half Load Button

Press the Half Load button to reduce the duration of the selected programme, and therefore decrease your energy and water consumption. When Half Load option is selected, Half Load led (i) will illuminate.

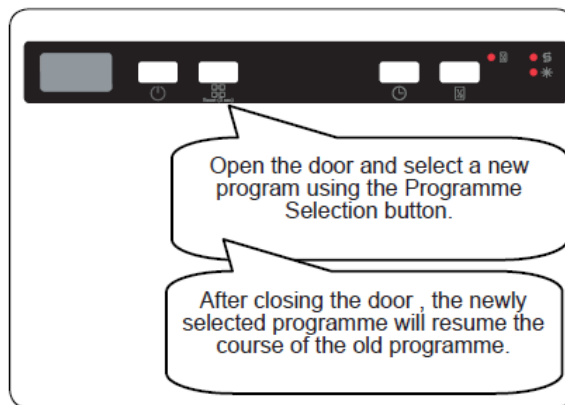
**NOTE:** If you decide not to start the selected programme, please see the "Changing a Programme" and "Cancelling a Programme" sections.

**NOTE:** When there is insufficient softening salt, the Salt Lack Warning Indicator (ii) will illuminate to indicate the salt chamber needs filling.

**NOTE:** When there is insufficient rinse aid, the Rinse Aid Lack Warning Indicator (iii) will illuminate to indicate the rinse aid chamber needs filling.

### Changing a Programme

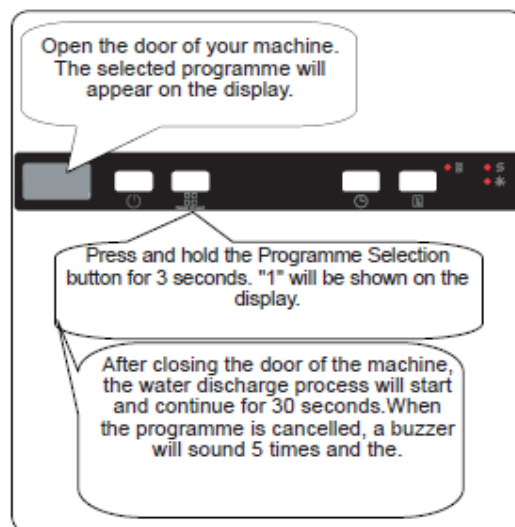
Follow the steps below if you would like to change the programme while in operation



**NOTE:** Open the door slightly at first to avoid water spillage if you wish to stop the wash programme before it is complete

### Cancelling a Programme

Follow the steps below if you would like to cancel a programme while in operation.





## X. CLEANING AND MAINTENANCE

### Cleaning your Dishwasher is important to maintain the machine's service life.

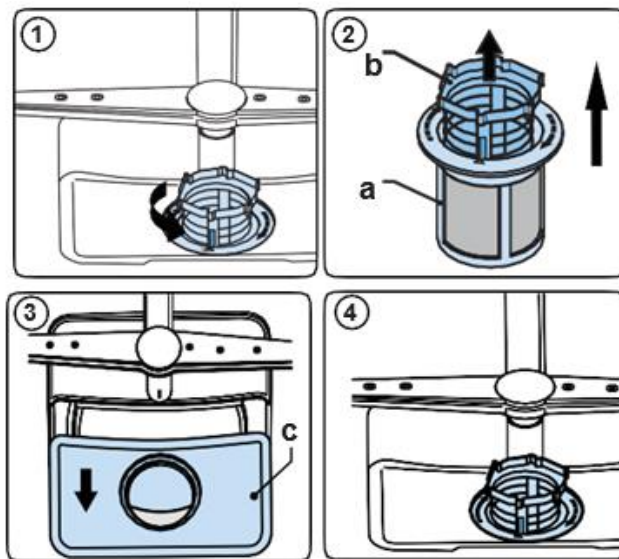
Oil and lime may build up in your Dishwasher over time. If this occurs:

- Fill the detergent compartment but do not load any dishes. Select a programme which runs at high temperature and run the Dishwasher empty. If this does not clean your Dishwasher sufficiently, use a cleaning agent designed for use with dishwashers.
- Wipe the door seals regularly with a damp cloth to remove any accumulated residue.

### Cleaning machine and filters

Clean the filters and spray arms at least once a week. If any food waste remains on the coarse and fine filters, remove them and clean them thoroughly with water.

- a) Micro Filter
- b) Coarse Filter
- c) Metal Filter

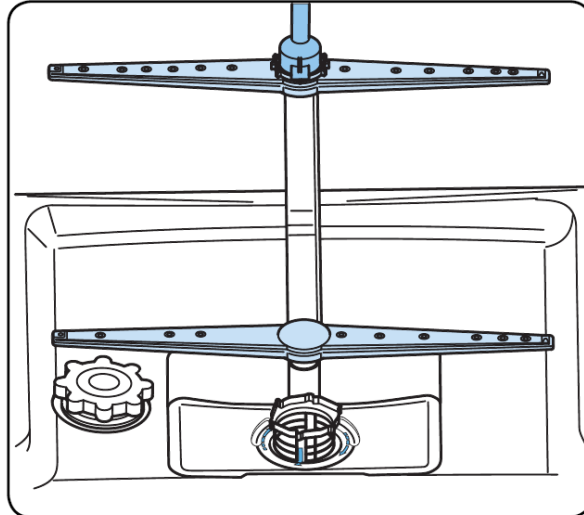


To remove and clean the filter combination, turn it counter clockwise and remove it by lifting it upwards (1). Pull the coarse filter out of the micro filter (2). Then pull and remove the metal filter (3). Rinse the filter with lots of water until it is free of residue. Reassemble the filters. Replace the filter insert, and rotate it clockwise (4).

- Never use your Dishwasher without a filter.
- Incorrect fitting of the filter will reduce the washing effectiveness.
- Clean filters are necessary for proper running of the machine.

### Spray arms

Make sure that the spray holes are not clogged and that no food waste is stuck to the spray arms. If there is any clogging, remove the spray arms and clean them under water. To remove the upper spray arm undo the nut holding it in position by turning it clockwise and pulling it downwards. Make sure that the nut is properly tightened when refitting the upper spray arm.



### Drain Pump

Large food residues or foreign objects which were not captured by the filters may block the waste water pump. The rinsing water will then be above the filter.

### Warning Risk of cuts!

When cleaning the waste water pump, ensure that you do not injure yourself on pieces of broken glass or pointed implements.

In this case:

1. First always disconnect the appliance from the power supply.
2. Take out baskets.
3. Remove the filters.
4. Scoop out water, use a sponge if required.
5. Check the area and remove any foreign objects.
6. Install filters.
7. Re-insert baskets.

## XI. TROUBLESHOOTING

FAULT	POSSIBLE CAUSE	TROUBLESHOOTING
The programme does not start.	Your Dishwasher is not plugged in.	Plug your Dishwasher in.
	Your Dishwasher is not switched on.	Switch your Dishwasher on by pressing the On/Off button.
	Fuse blown.	Check your indoor fuses.
	Water inlet tap is closed.	Turn on the water inlet tap.
	Your Dishwasher door is open.	Close the Dishwasher door.
	Water inlet hose and machine filters are clogged.	Check the water inlet hose and machine filters and make sure they are not clogged.
Water remains inside the machine.	Water drain hose is clogged or twisted.	Check the drain hose, then either clean or untwist it.
	The filters are clogged.	Clean the filters.
	The programme is not finished yet.	Wait until the programme is finished.
Machine stops during washing.	Power failure.	Check mains power.
	Water inlet failure.	Check water tap.
Shaking and hitting noises are heard during a wash operation.	The spray arm is hitting the dishes in the lower basket.	Move or remove items blocking the spray arm.
Partial food wastes remain on the dishes.	Dishes placed incorrectly, sprayed water not reaching affected dishes.	Do not overload baskets.
	Dishes leaning each another.	Place dishes as instructed in the section on loading your dishwasher.
	Not enough detergent used.	Use the correct amount of detergent, as instructed in the programme table.
	Wrong wash programme selected.	Use the information in the programme table to select the most appropriate programme.
	Spray arms clogged with food waste.	Clean the holes in the spray arms with thin objects.
	Filters or water drain pump clogged or filter misplaced.	Check the drain hose and filters are correctly fitted.

FAULT	POSSIBLE CAUSE	TROUBLESHOOTING
Whitish stains remains on dishes.	Not enough detergent used.	Use the correct amount of detergent, as instructed in the programme table.
	Rinse aid dosage and/or water softener setting set too low.	Increase rinse aid and/or water softener level.
	High water hardness level.	Increase water softener level and add salt.
	Salt compartment cap not closed properly.	Check that the salt compartment cap is closed properly.
Dishes do not dry.	Drying option is not selected.	Select a programme with a drying option.
	Rinse aid dosage set too low.	Increase rinse aid dosage setting.
Rust stains form on the dishes.	Stainless-steel quality of the dishes is insufficient.	Use only dishwasher-proof sets.
	High level of salt in wash water.	Adjust the water hardness level using water hardness table.
	Salt compartment cap not closed properly.	Check that the salt compartment cap is closed properly.
	Too much salt spilled in the Dishwasher while filling it with salt.	Use funnel while filling salt to the compartment to avoid spillage.
	A poor mains grounding.	Consult a qualified electrician immediately.
Detergent remains in the detergent compartment.	Detergent was added when the detergent compartment was wet.	Make sure detergent compartment is dry before use.

**AUTOMATIC FAULT WARNINGS AND WHAT TO DO**

TROUBLE CODE	POSSIBLE FAULT	WHAT TO DO
FF	Water inlet system failure	Make sure the water inlet tap is open and water is flowing.
		Separate the inlet hose from the tap and clean the filter of the hose.
		Contact for service if the error continues.
F5	Pressure system failure	Contact for service.
F3	Continuous water input	Close the tap and contact for service.
F2	Inability to discharge water	Water discharge hose and filters may be clogged.
		Cancel the program.
		If the error continues, contact for service.
F8	Heater error	Contact for service.
F1	Overflow	Unplug the machine and close the tap.
		Contact for service.
FE	Faulty electronic card	Contact for service.
F7	Overheating	Contact for service.
F9	Divisor position error	Contact for service.
F6	Faulty heater sensor	Contact for service.
HI	High voltage failure	Contact for service.
LO	Low voltage failure	Contact for service.

## XII. PRACTICAL INFORMATION

1. When the machine isn't in operation:
  - Disconnect the plug and close the tap.
  - Leave the door slightly open to prevent odour formation.
2. Select the dry option to remove water droplets.
3. Place dishes in the machine properly to achieve the best energy consumption, washing and drying performance. Please see the programme and consumption table for more information.
4. Rinse dirty dishes before placing them in the dishwasher.
5. Only use the Prewash programme when necessary.
6. Do not place the machine near a refrigerator because it will reach high temperatures.
7. If the machine is located in an area that is at risk of freezing, close the tap, disconnect the inlet hose from the tap and drain the water inside the hose and the machine completely.

#### **CUSTOMER CARE AND SERVICE**

Always use original spare parts.

When contacting our Authorised Service Centre, ensure that you have the following data available: Model and Serial Number.

The information can be found on the rating plate. Subject to change without notice.

#### **TECHNICAL DATA**

The technical information is situated in the rating plate on the internal side of the appliance and on the energy label.

The QR code on the energy label supplied with the appliance provides a web link to the information related to the performance of the appliance in the EU EPREL database.

Keep the energy label for reference together with the user manual and all other documents provided with this appliance.

It is also possible to find the same information in EPREL using the link <https://eprel.ec.europa.eu> and the model name and product number that you find on the rating plate of the appliance.

To access information about your product in the EPREL portal, you can scan the codes below:



Thank you for purchasing this product. If you need support with your product, visit our website using the links below.

**Get User manuals:** <https://www.heinner.ro>

**Get Service information:** <https://www.heinner.ro>



**Environment friendly disposal**

You can help protect the environment!

Please remember to respect the local regulations: hand in the non-working electrical equipment's to an appropriate waste disposal center.



**HEINNER** is a registered trademark of **Network One Distribution SRL**. Other brands and product names are trademarks or registered trademarks of their respective holders.

No part of the specifications may be reproduced in any form or by any means or used to make any derivative such as translation, transformation, or adaptation without permission from NETWORK ONE DISTRIBUTION.

Copyright © 2013 Network One Distribution. All rights reserved.

[www.heinner.com](http://www.heinner.com), <http://www.nod.ro>

<http://www.heinner.com>, <http://www.nod.ro>



This product is in conformity with norms and standards of European Community

Importer: **Network One Distribution**

Marcel Iancu Street, 3-5, Bucharest, Romania

Tel: +40 21 211 18 56, [www.heinner.com](http://www.heinner.com) , [www.nod.ro](http://www.nod.ro)



# HEINNER

## MASINA DE SPALAT VASE HEINNER HDW-BI6006IE++



- Masina de spalat vase
- Numar de seturi: 12
- Numar de programe: 6
- Clasa energetica: E

Vă mulțumim pentru alegerea acestui produs!

## I. INTRODUCERE

*Înainte de a utiliza acest aparat, citiți cu atenție manualul de instrucțiuni și păstrați-l pentru consultări ulterioare.*

Acest manual este conceput pentru a vă oferi toate instrucțiunile necesare referitoare la instalarea, utilizarea și întreținerea aparatului.

Pentru utilizarea corectă și în siguranță a aparatului, vă rugăm să citiți cu atenție acest manual de instrucțiuni, înainte de instalare și utilizare.

## II. CONȚINUTUL PACHETULUI DUMNEAVOASTRĂ



- **Mașina de spălat vase**
- **Manual de utilizare**
- **Certificat de garanție**

### III. INSTRUCȚIUNI PRIVIND SIGURANȚA

#### **Avertismente generale privind siguranța**

- Înainte de utilizarea aparatului, citiți cu atenție toate instrucțiunile. Păstrați instrucțiunile pentru consultări ulterioare. Înainte de instalare, verificați ambalajul. După îndepărtarea ambalajului, verificați suprafețele exterioare ale mașinii. Nu utilizați mașina în cazul în care această prezintă semne de deteriorare sau dacă ambalajul a fost deschis.
- Ambalajele protejează mașina împotriva eventualelor deteriorări care pot apărea în timpul transportului. Ambalajele sunt ecologice și reciclabile. Utilizarea materialelor reciclate reduce consumul de materie primă și producerea de deșeuri.
- Aparatul poate fi utilizat de către copii cu vârste începând de la 8 ani și de către persoane cu capacități fizice, senzoriale sau mentale reduse, cu lipsă de experiență sau cunoștințe, numai dacă acestea sunt supravegheate sau instruite în ceea ce privește utilizarea în siguranță a aparatului și dacă înțeleg pericolele pe care le implică utilizarea. Nu permiteți copiilor să se joace cu acest aparat.
- Scoateți ambalajul și nu îl lăsați la îndemâna copiilor.
- Nu lăsați copiii să se apropie de detergenți și agenți de clătire.
- După spălare, este posibil ca în mașină să rămână unele resturi. Nu lăsați copiii să se apropie de mașină atunci când aceasta este deschisă.

#### **Avertismente privind instalarea**

- Alegeți un loc potrivit și sigur pentru a instala mașina.
- Utilizați numai piese de schimb originale.
- Deconectați ștecărul de la sursa de alimentare înainte de instalare.
- Această mașină trebuie să fie instalată numai de către un reprezentant de service sau de persoane cu calificări similare.
- Asigurați-vă că instalația electrică este racordată în conformitate cu reglementările privind siguranța.
- Toate conexiunile electrice trebuie să corespundă valorilor indicate pe plăcuța cu date tehnice.
- Asigurați-vă că mașina nu este așezată pe cablul de alimentare.
- Nu utilizați cabluri prelungitoare sau prize multiple.
- După instalarea mașinii, ștecărul trebuie să fie ușor accesibil.
- După instalarea mașinii, primul ciclu de funcționare a mașinii trebuie să se desfășoare fără încărcătură.
- În timpul poziționării mașinii, ștecărul trebuie să fie deconectat de la sursa de alimentare.
- În cazul în care cablul electric prezintă deteriorări, acesta trebuie înlocuit de către un electrician calificat.

#### **Avertismente privind utilizarea**

- Această mașină este destinată exclusiv uzului casnic și nu trebuie utilizată în alte scopuri.
- Nu vă așezați și nu puneți obiecte pe ușa deschisă a mașinii de spălat.
- Utilizați numai detergenți și agenți de clătire special concepuți pentru mașini de spălat vase. Compania noastră nu poartă răspunderea pentru nicio deteriorare care poate interveni ca urmare a utilizării necorespunzătoare.
- Nu beți apa din mașina de spălat vase.
- Pentru evitarea pericolului de explozie, nu puneți agenți de dizolvare în compartimentul de spălare al mașinii.
- Asigurați-vă că obiectele din material plastic sunt rezistente la căldură înainte de a le introduce în mașină.
- Nu puneți în mașină obiecte care nu sunt potrivite pentru spălare în mașina de spălat vase. Nu supraîncărcați coșurile mașinii.
- Nu deschideți ușa mașinii în timpul funcționării, deoarece apa fierbinte se poate scurge. Mașina este prevăzută cu un sistem de siguranță care oprește funcționarea în momentul deschiderii ușii.
- Nu lăsați deschisă ușa mașinii. Aceasta poate provoca accidente.

- Puneți cuțitele și alte obiecte ascuțite în coșul pentru tacâmuri, cu lama în jos.
- În cazul modelelor dotate cu sistem automat de deschidere a ușii, dacă funcția EnergySave este activă, ușa se va deschide la finalizarea programului. Pentru a preveni deteriorarea mașinii dumneavoastră de spălat vase, după deschiderea ușii, așteptați timp de un minut înainte de a o închide. Pentru o uscare eficientă, lăsați ușa deschisă timp de 30 de minute după finalizarea programului. Nu stați în fața ușii după ce auziți semnalul sonor care indică deschiderea automată a ușii. **ACEST MODEL NU ESTE PREVĂZUT CU SISTEM AUTOMAT DE DESCHIDERE A UȘII.**
- În cazul apariției unei defecțiuni, reparațiile trebuie efectuate numai de către reparatorul autorizat. În caz contrar, garanția își pierde valabilitatea.
- Înainte de efectuarea lucrărilor de reparații, mașina trebuie deconectată de la sursa de alimentare cu energie electrică. Nu trageți de cablu pentru a deconecta mașina de la sursa de alimentare. Închideți robinetul de apă.
- Funcționarea la tensiune redusă duce la scăderea nivelurilor de eficiență.
- Pentru siguranță, deconectați ștecărul de la sursa de alimentare după finalizarea programului.
- Pentru evitarea electrocutării, nu scoateți ștecărul din priză cu mâinile ude.
- Pentru a deconecta mașina de la sursa de alimentare, nu trageți de cablu, ci de ștecăr.

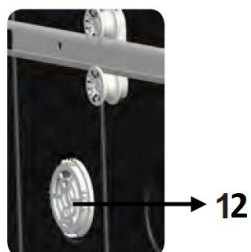
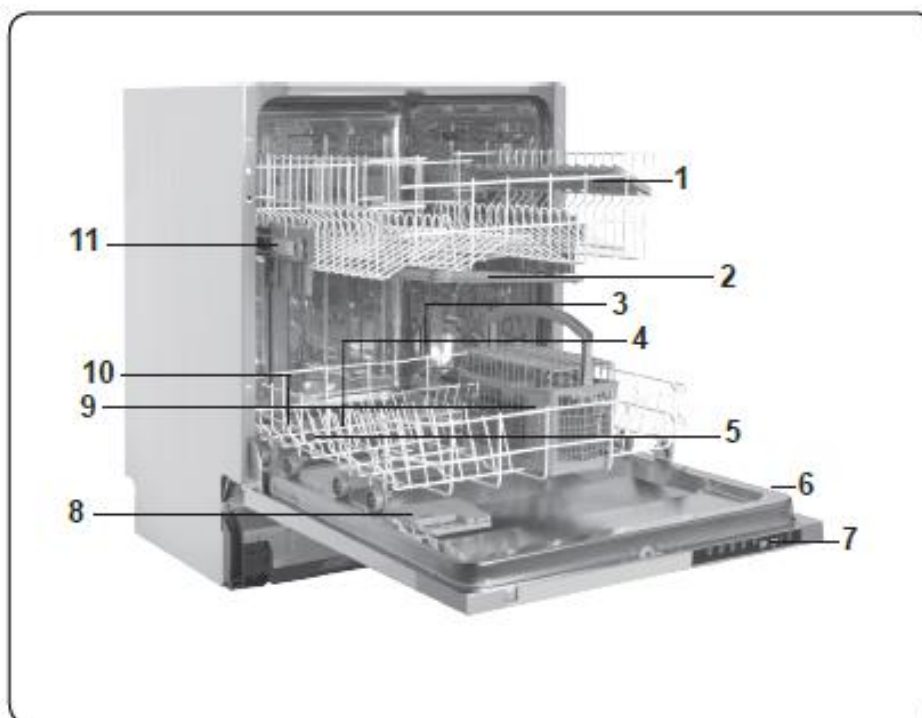
#### RECICLAREA

- Anumite componente ale mașinii și ambalajul sunt fabricate din materiale reciclabile.
- Componentele din plastic sunt marcate cu abrevieri internaționale: (>PE<, >PP< etc.)
- Componentele din carton sunt fabricate din hârtie reciclată. Acestea pot fi depozitate în containere pentru colectarea hârtiei în vederea reciclării.
- Materialele care nu constituie deșeuri menajere trebuie depuse la centrele de reciclare.
- Contactați centrele de reciclare corespunzătoare pentru a obține informații privind eliminarea diferitelor materiale.

#### AMBALAJELE ȘI PROTECȚIA MEDIULUI

Ambalajele protejează mașina împotriva eventualelor deteriorări care pot apărea în timpul transportului. Ambalajele sunt ecologice și reciclabile. Utilizarea materialelor reciclate reduce consumul de materie primă și producerea de deșeuri.

#### IV. DESCRIEREA PRODUSULUI



1. Coș superior cu rafturi
2. Braț de pulverizare superior
3. Coș inferior
4. Braț de pulverizare inferior
5. Filtre
6. Plăcuță cu date tehnice
7. Panou de comandă
8. Dozator pentru detergent și agent de clătire
9. Coș pentru tacâmuri
10. Compartiment pentru sare
11. Șină coș superior
12. Sistem de uscare activă: Acest sistem permite o uscare mai eficientă a vaselor.

### Caracteristici tehnice

Capacitate	12 seturi de vase
Dimensiuni (mm)	820 (mm)
Înălțime	598 (mm)
Lățime	550 (mm)
Adâncime	
Greutate netă	31.5 kg
Tensiune/frecvență de funcționare:	220-240 V 50 Hz
Curent electric total (A)	10(A)
Putere totală (W)	1900(W)
Presiune de alimentare cu apă	Maximă: 1 (Mpa) Minimă: 0,03 (Mpa)

## V. INSTALARE

### Poziționarea mașinii

- Atunci când poziționați mașina, alegeți un loc accesibil, astfel încât să puteți introduce vasele în mașină cu ușurință. Nu amplasați mașina în spații unde este posibil ca temperatura camerei să scadă sub 0 °C.
- Înainte de îndepărtarea ambalajului și poziționarea mașinii, citiți toate instrucțiunile de pe ambalaj.

Amplasați mașina aproape de un robinet de apă și de o scurgere. Luați în calcul faptul că racordurile nu vor fi modificate după ce poziționați mașina.

- Nu deplasați mașina ținând-o de ușă sau de panoul de comandă.
- Lăsați un spațiu suficient în jurul mașinii, pentru a o putea deplasa cu ușurință atunci când doriți să o curățați.
- Asigurați-vă că furtunul de alimentare cu apă și cel de evacuare nu sunt obstrucționate și că mașina nu este așezată pe cablul electric.
- Reglați picioarele mașinii, astfel încât aceasta să fie dreaptă și echilibrată. Mașina trebuie poziționată pe o suprafață orizontală. În caz contrar, mașina va fi instabilă, iar ușa acesteia nu se va închide corespunzător.

### Racordarea la sursa de apă

Vă recomandăm să instalați un filtru între sursa de alimentare cu apă și mașină, pentru a evita deteriorarea mașinii din cauza impurităților (nisip, rugină etc.) provenite din țevile instalației. De asemenea, instalarea unui filtru previne îngălbenirea și formarea depunerilor de calcar după spălare.

Atenție la inscripția de pe furtunul de alimentare cu apă! Dacă modelul este marcat cu 25°, temperatura apei poate fi de maximum 25 °C.

Pentru alte modele: Se preferă apa rece; temperatura maximă a apei calde 60 °C.

### Furtunul de alimentare cu apă

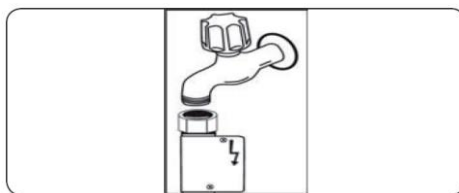


**AVERTISMENT:** Utilizați furtunul de alimentare cu apă furnizat împreună cu mașina. Nu utilizați un furtun vechi.

**AVERTISMENT:** Clătiți cu apă furtunul nou înainte de a-l monta.

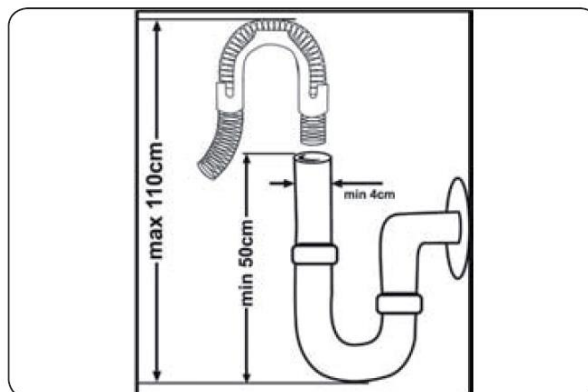
**AVERTISMENT:** Conectați furtunul de alimentare cu apă direct la robinet. Presiunea apei furnizate de robinet trebuie să fie de minimum 0,03 Mpa și de maximum 1 Mpa. Dacă presiunea apei depășește 1 Mpa, trebuie montată între furtun și robinet o supapă de reducere a presiunii.

**AVERTISMENT:** După realizarea racordurilor, deschideți complet robinetul și verificați dacă există scurgeri de apă. Închideți robinetul de apă după fiecare finalizare a unui program de spălare.



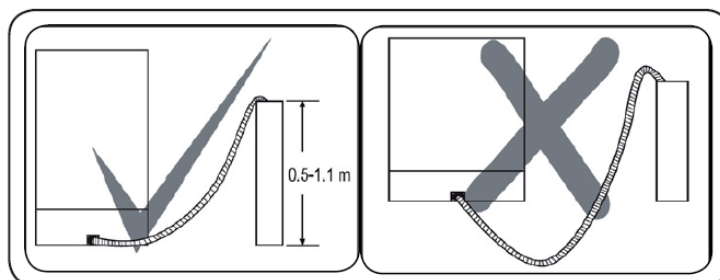
Mașina dumneavoastră dispune de un dispozitiv de siguranță Aquastop. Nu deteriorați acest dispozitiv și nu permiteți îndoirea sau răsucirea acestuia.

### Furtunul de evacuare



Racordați furtunul de evacuare direct la scurgere sau la conducta de scurgere a chiuvetei. Acest racord trebuie să fie la o distanță de cel puțin 50 de cm și cel mult 110 cm de la nivelul podelei.

**IMPORTANT:** Dacă utilizați un furtun de evacuare cu o lungime de peste 4 metri, este posibil ca vasele să nu fie spălate corespunzător.



### Conectarea la rețeaua electrică

**AVERTISMENT:** Mașina dumneavoastră este concepută să funcționeze la 220-240 V. Dacă tensiunea din locul de instalare este de 110 V, este necesară conectarea unui transformator de la 110 V la 220 V, 3000 W.

- Ștecărul prevăzut cu împământare al mașinii trebuie să fie conectat la o priză cu împământare corespunzătoare.
- În cazul în care împământarea nu este disponibilă, contactați un electrician calificat în vederea realizării unei instalații de împământare. În cazul utilizării fără împământare, nu ne asumăm răspunderea pentru pierderile suferite.
- Valoarea curentului siguranței electrice trebuie să fie de 10-16 A.



## VI. ÎNAINTE DE UTILIZAREA APARATULUI

**Pregătirea mașinii de spălat vase pentru prima utilizare**

- Asigurați-vă că specificațiile instalației de alimentare cu apă și ale instalației electrice corespund valorilor indicate în cadrul instrucțiunilor privind instalarea mașinii.
- Îndepărtați toate ambalajele din interiorul mașinii.
- Setați nivelul agentului de dedurizare a apei.
- Umpleți compartimentul pentru agent de clătire.

**Importanța dedurizării apei**

Mașina de spălat vase funcționează în parametri optimi cu apă dedurizată. În caz contrar, pot rămâne reziduuri de calcar pe vase și pe componentele din interiorul mașinii. Acest lucru va afecta în mod negativ performanțele de spălare și clătire ale mașinii. Atunci când apa trece prin sistemul de dedurizare, ionii care formează duritatea apei sunt îndepărtați din apă, aceasta atingând calitatea necesară pentru o spălare optimă. În funcție de duritatea apei, acești ioni se acumulează rapid în interiorul sistemului de dedurizare a apei. Prin urmare, sistemul de dedurizare trebuie menținut funcțional, pentru a se asigura același nivel de performanță și la următoarele spălări. În acest scop, se utilizează sare de dedurizare specială pentru mașini de spălat vase.

**Umplerea compartimentului pentru sare**

Utilizați sare de dedurizare specială pentru mașini de spălat vase. Pentru a pune sare de dedurizare, scoateți mai întâi coșul inferior, apoi desfaceți capacul compartimentului pentru sare prin rotire în sens contrar acelor de ceasornic (1) (2). La prima utilizare, umpleți complet compartimentul cu 1 kg de sare și apă (3). Utilizarea unei pâlnii ușurează umplerea compartimentului (4). **Pâlnia nu este livrată împreună cu produsul.**

Puneți capacul la loc și închideți-l. La fiecare 20-30 de spălări, umpleți compartimentul cu sare (aprox. 1 kg).

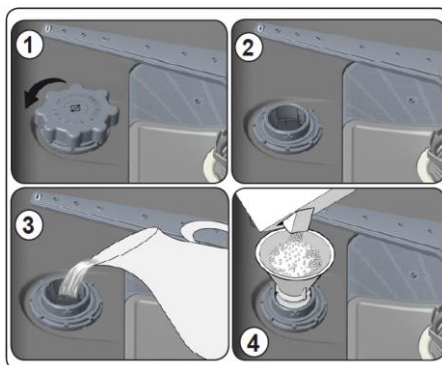
Vă recomandăm să folosiți sare de dedurizare fină sau sub formă de pudră. Nu puneți sare de masă în mașină. În caz contrar, eficiența compartimentului pentru sare de dedurizare poate scădea în timp. La pornirea mașinii de spălat vase, compartimentul pentru sare se umple cu apă. Prin urmare, este necesar să puneți sarea de dedurizare în compartiment înainte de pornirea mașinii. Astfel, sarea care dă pe afară este îndepărtată imediat prin procesul de spălare. Dacă sarea de dedurizare dă pe afară și nu intenționați să porniți mașina imediat, porniți un program de spălare scurt fără vase, pentru a proteja mașina împotriva coroziunii.

**Puneți apă în compartimentul pentru sare numai la prima utilizare.**

Utilizați sare de dedurizare specială pentru mașini de spălat vase.

La pornirea mașinii de spălat vase, compartimentul pentru sare se umple cu apă. Prin urmare, este necesar să puneți sarea de dedurizare în compartiment înainte de pornirea mașinii.

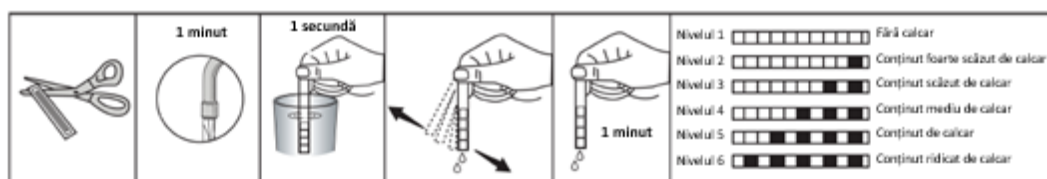
Dacă sarea de dedurizare dă pe afară și nu intenționați să porniți mașina imediat, porniți un program de spălare scurt fără vase, pentru a proteja mașina împotriva coroziunii.



### Banda de testare (nu este livrată împreună cu produsul)

Eficiența mașinii de spălat depinde de duritatea apei de la robinet. Mașina de spălat vase este echipată cu un sistem de dedurizare a apei provenite de la robinet. Eficiența spălării va crește dacă sistemul este setat corect. Pentru a afla nivelul de duritate a apei de la robinet, contactați compania de apă din zona dumneavoastră sau utilizați o bandă de testare (trebuie achiziționată separat!)

Scoateți banda de testare din ambalaj	Lăsați apa să curgă la robinet timp de 1 minut.	Țineți banda de testare în apă timp de 1 secundă.	Scuturați banda de testare după ce o scoateți din apă.	Așteptați timp de 1 minut.	Efectuați reglajele privind duritatea apei în funcție de rezultatele obținute cu ajutorul benzii de testare.
---------------------------------------	---	---	--	----------------------------	--



**NOTĂ:** Nivelul 3 este setat implicit. Dacă apa este apă de fântână sau are o duritate peste 90 dF, recomandăm utilizarea unor dispozitive de filtrare și purificare.

### Tabel cu duritatea apei

Nivelul de duritate a apei.	Nivel de duritate german dH	Nivel de duritate francez dF	Nivel de duritate britanic dE	Indicație nivel duritate
1	0-5	0-9	0-6	Afișajul indică L1.
2	6-11	10-20	7-14	Afișajul indică L2.
3	12-17	21-30	15-21	Afișajul indică L3.
4	18-22	31-40	22-28	Afișajul indică L4.
5	23-31	41-55	29-39	Afișajul indică L5.
6	32-50	56-90	40-63	Afișajul indică L6.

### Sistemul de dedurizare a apei

Mașina de spălat vase este echipată cu un sistem de dedurizare a apei provenite de la robinet. Pentru a afla nivelul de duritate a apei de la robinet, contactați compania de apă din zona dumneavoastră sau utilizați o bandă de testare (dacă este disponibilă).

#### Setarea

Pentru a modifica nivelul de sare, urmați pașii de mai jos:

- Atingeți butonul program și țineți apăsat.
- Porniți mașina.
- Țineți apăsat butonul Program până când dispăre „SL”.
- Aparatul va afișa ultima setare.
- Setări nivelul atingând butonul Program.
- Opriți aparatul pentru a salva setarea.

**AVERTISMENT:** În caz de mutare și pentru o eficiență a spălării este important să configurați setările de duritate a apei conform durității apei din zona în care locuiți acum.

#### Utilizarea detergentului

Utilizați numai detergenți speciali pentru mașini de spălat vase.

Pentru o eficiență maximă a spălării, utilizați cantitatea de detergent recomandată pentru programul de spălare selectat.

Păstrați detergenții într-un loc răcoros și uscat, la care să nu aibă acces copiii.

Puteți găsi în comerț detergenți sub forma de pudră, gel și tablete pentru mașini de spălat vase. Detergentul trebuie pus în compartiment înainte de a porni mașina. Păstrați detergenții într-un loc răcoros și uscat, la care copiii să nu aibă acces.

Nu puneți în compartiment mai mult detergent decât este necesar; în caz contrar, paharele pot fi zgâriate, iar detergentul nu se va dizolva corespunzător.

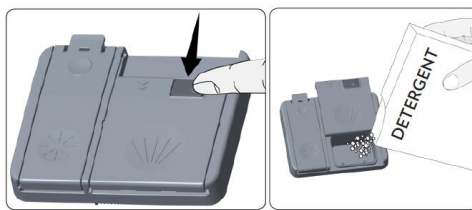
Pentru informații suplimentare privind detergentul, consultați instrucțiunile furnizate de producătorul detergentului.

#### **Alimentarea dozatorului cu detergent**

Apăsați pe sistemul de blocare pentru a deschide dozatorul, apoi puneți detergent în dozator.

Compartimentul este prevăzut cu gradații în interior. Puteți măsura cantitatea corectă de detergent cu ajutorul acestor gradații. Compartimentul pentru detergent are o capacitate maximă de 40 cm<sup>3</sup>. Deschideți cutia cu detergent și puneți în compartimentul mai mare 25 cm<sup>3</sup> dacă vasele sunt foarte murdare sau 15 cm<sup>3</sup> dacă nu sunt foarte murdare. Dacă vasele au stat murdare mai mult timp, dacă prezintă resturi de alimente uscate și dacă ați încărcat mult mașina, puneți 5 cm<sup>3</sup> detergent în compartimentul pentru detergent de prespălare și porniți mașina.

Poate fi necesar să adăugați mai mult detergent, în funcție de gradul de murdărire și de nivelul durității apei.



#### **Utilizarea detergenților combinați**

Producătorii de detergenți fabrică și detergenți combinați denumiți „2 în 1”, „3 în 1”, „5 în 1” etc.

Detergenții „2 în 1” conțin detergent + sare sau agent de clătire. Atunci când utilizați detergenți 2 în 1, verificați caracteristicile acestora.

Unii detergenți conțin detergent + agent de clătire + sare + alte substanțe.

În general, detergenții combinați asigură rezultate eficiente numai în anumite condiții de utilizare. Acești detergenți conțin agent de clătire și/sau sare în cantități prestabilite.

#### **Recomandări privind utilizarea acestui tip de produse:**

- Asigurați-vă că verificați caracteristicile produsului pe care urmează să îl utilizați și dacă acesta face sau nu parte din categoria produselor combinate.
- Asigurați-vă că detergentul utilizat este adecvat pentru duritatea apei din zona în care locuiți.
- Citiți cu atenție instrucțiunile de pe ambalaje în cazul utilizării acestor produse.
- Dacă acești detergenți sunt sub formă de tablete, nu îi puneți în interiorul coșului pentru tacâmuri al mașinii de spălat vase. Puneți întotdeauna tabletele în compartimentul pentru detergent al dozatorului de detergent.
- Acest tip de produse asigură rezultate bune numai în cazul anumitor utilizări. În cazul în care utilizați acest tip de detergenți, este necesar să apelați la asistență din partea producătorilor, pentru obținerea de informații privind utilizarea corespunzătoare.
- Atunci când condițiile de utilizare a acestor produse și setările mașinii sunt cele corespunzătoare, veți economisi sare de dedurizare și/sau agent de clătire.
- Contactați producătorii de detergenți în cazul în care rezultatele spălării nu sunt satisfăcătoare (dacă vasele rămân ude și prezintă urme de calcar) în urma utilizării detergenților „2 în 1” sau „3 în 1”. Garanția pentru mașina dumneavoastră nu este aplicabilă reclamațiilor apărute în urma utilizării acestor tipuri de detergenți.

**Recomandări privind utilizarea:** Dacă doriți să obțineți rezultate mai bune atunci când utilizați detergenți combinați, puneți sare și agent de clătire în compartimentele corespunzătoare ale mașinii și setați nivelul de duritate a apei și nivelul agentului de clătire la cele mai scăzute valori. Solubilitatea detergenților sub formă de tablete produși de diferite companii poate varia în funcție de temperatură și de durata de utilizare. Prin urmare, utilizarea acestor detergenți în cadrul programelor scurte nu este recomandată. În cadrul acestor programe, este mai potrivită utilizarea detergenților sub formă de pudră.

**Avertisment:** Dacă întâmpinați probleme atunci când utilizați aceste tipuri de detergenți, contactați direct producătorii de detergenți.

**În cazul întreruperii utilizării detergenților combinați:**

- Umpleți compartimentul pentru sare de dedurizare și compartimentul pentru agent de clătire.
- Setați nivelul de duritate a apei la valoarea cea mai ridicată (6) și porniți un ciclu de funcționare fără vase.
- Setați nivelul de duritate a apei.
- Setați nivelul agentului de clătire.

**Aditivul de clătire**

Aditivul de clătire contribuie la uscarea vaselor fără urme sau pete. Aditivul de clătire este necesar pentru ca vesela să nu aibă pete și pentru ca paharele să se mențină transparente. Aditivul de clătire este eliberat automat în cursul fazei de clătire cu apă fierbinte. Dacă doza de aditiv de clătire este prea scăzută, pe vase rămân pete albe iar vasele nu se curăță complet. Dacă doza este prea mare, puteți observa un strat albastru pe vase.

**Umplerea compartimentului pentru aditiv de clătire și setarea**

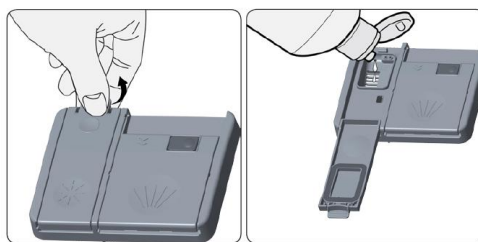
Pentru umplerea compartimentului pentru aditiv de clătire, deschideți capacul compartimentului. Umpleți compartimentul cu agent de clătire până la nivelul MAX, apoi închideți capacul. Aveți grijă să nu umpleți excesiv compartimentul pentru agent de clătire și să îndepărtați eventualele scurgeri.

**Pentru a modifica nivelul agentului de clătire, urmați pașii de mai jos înainte de pornirea mașinii.**

- Apăsăți și mențineți apăsat butonul de programare.
- Porniți mașina.
- Mențineți apăsat butonul de programare până când indicația „rA” dispăre de pe afișaj. Setarea pentru agentul de clătire urmează după setarea durității apei.
- Mașina va afișa setarea curentă.
- Modificați nivelul apăsând pe butonul de programare.
- Pentru memorarea setării, opriți mașina.

Setarea stabilită în fabrică este „4”.

Dacă vasele nu se usucă bine sau prezintă pete, creșteți nivelul. Dacă pe vase apar pete albastre, reduceți nivelul.



Nivel	Doză de agent de clătire	Indicație
1	Nu se eliberează agent de clătire	Afișajul indică r1.
2	Se eliberează 1 doză	Afișajul indică r2.
3	Se eliberează 2 doze	Afișajul indică r3.
4	Se eliberează 3 doze	Afișajul indică r4.
5	Se eliberează 4 doze	Afișajul indică r5.

## VII. ÎNCĂRCAREA COȘURILOR MAȘINII DE SPĂLAT VASE

Pentru rezultate optime, urmați aceste sfaturi privind încărcarea.

Vă recomandăm să puneți obiectele mari (oale, tigăi, capace, farfurii și boluri) foarte murdare în coșul inferior.

Coșul superior este destinat vaselor delicate și mai ușoare, cum ar fi paharele, ceștile de cafea sau ceai și farfuriile. Poziționați vasele astfel încât acestea să nu poată fi deplasate de jetul de apă.

Vă recomandăm să puneți tacâmurile în coșul pentru tacâmuri. Obiectele trebuie puse în mașină unul câte unul, în locurile corespunzătoare, cu mânerul în jos. Ustensilele lungi trebuie să fie așezate orizontal pe coșuri.

**⚠️ AVERTISMENT:** Aveți grijă să nu împiedicați rotirea brațelor de pulverizare.

### Recomandări

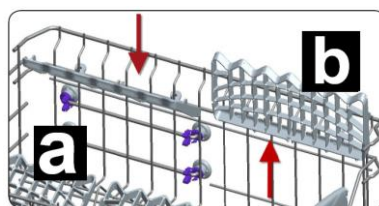
Îndepărtați resturile de pe vase înainte de a pune vasele în mașină. Porniți mașina atunci când este încărcată complet.

Nu supraîncărcați sertarele și nu puneți vasele în coșurile nepotrivite.

**⚠️ AVERTISMENT:** Puneți ustensilele ascuțite cu vârful în jos și vasele cu gura în jos.

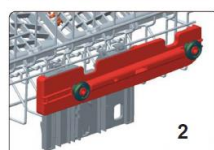
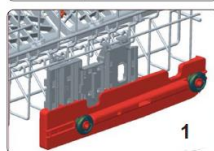
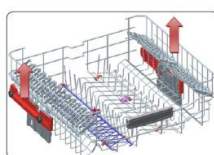
### Rafturile

Rafturile din coșul superior pot fi deschise (a) sau închise (b). Puneți pahare și ustensile mari (orizontal) pe rafturi pentru a le spăla.

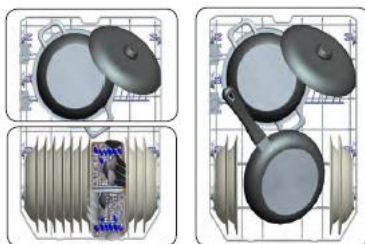


### Reglarea înălțimii coșului superior

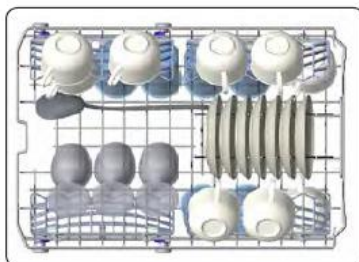
Coșul superior este prevăzut cu un mecanism care permite fixarea coșului în poziție superioară (1) sau inferioară (2) fără a fi necesară detașarea acestuia. Țineți coșul superior de părțile laterale și trageți-l în sus sau împingeți-l în jos, asigurându-vă că părțile laterale ale acestuia sunt la același nivel.



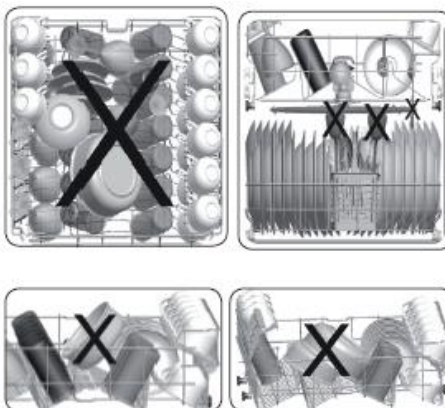
### Așezarea vaselor în coșuri Coșul inferior



### Coșul superior



### Așezare incorectă



### Obiecte care nu sunt potrivite pentru spălare în mașina de spălat vase:

- Vase cu urme de scrum de țigară, ceară, lac, vopsea, substanțe chimice sau obiecte din aliaje pe bază de fier;
- Furculițe, linguri și cuțite cu mâner din lemn, os sau fildeș; obiecte lipite, obiecte pătate cu substanțe chimice abrazive, acide sau bazice.
- Obiecte din material plastic care nu sunt termorezistente, recipiente din cupru sau acoperite cu cositor.
- Obiecte din aluminiu și argint (se pot decolora sau deteriora).
- Anumite tipuri de sticlă sensibilă, porțelanuri cu modele ornamentale, deoarece acestea se decolorează chiar și după prima spălare; anumite obiecte din cristal, deoarece acestea își pierd în timp transparența, tacâmurile care nu sunt termorezistente, pahare de cristal, tocătoare, obiecte care au în compoziție fibre sintetice.
- Obiecte absorbante, precum bureții sau lavetele de bucătărie nu sunt potrivite pentru spălare în mașina de spălat vase.

**IMPORTANT:** Utilizați numai vase rezistente la spălare în mașina de spălat vase.

## VIII. TABEL DE PROGRAME

	<b>P1</b>	<b>P2</b>	<b>P3</b>	<b>P4</b>	<b>P5</b>	<b>P6</b>
<b>Denumire program:</b>	Eco	Auto	Igienă 70°C	Super 50'	Rapid 30'	Prespălare
Tip de reziduuri:	Program standard pentru vase de uz zilnic, cu grad normal de murdărire, cu consum redus de energie și apă.	Program automat pentru vase foarte murdare.	Pentru vase foarte murdare ce necesită spălare igienică	Pentru vase de uz zilnic, cu un grad normal de murdărire, cu un program mai rapid.	Pentru vase puțin murdare și o spălare rapidă.	Pentru clătirea vaselor ce urmează a fi spălate ulterior
Level of Soil:	Medie	Intensă	Intensă	Medie	Ușoară	Ușoară
Cantitate de detergent:: A: 25 cm <sup>3</sup> B: 15 cm <sup>3</sup>	A	A	A	A	A	-
Durată program (h:min)	3:25	01:25 - 01:57	2:07	0:50	0:30	0:15
Consum de energie (kWh/ciclu):	0.923	1.450 - 1.700	1.9	1.1	0.74	0.02
Consum de apă (l/ciclu):	<b>12</b>	<b>11.9 - 17.2</b>	<b>16</b>	<b>12</b>	<b>12.4</b>	<b>4.5</b>

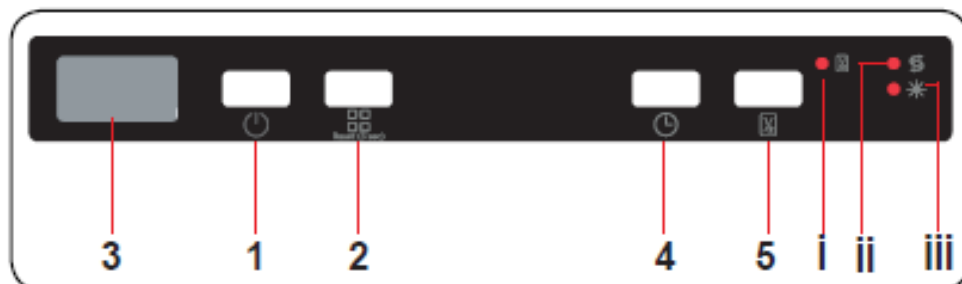
Durata programului se poate modifica în funcție de cantitatea de vase, temperatura apei, temperatura ambiantă și funcțiile suplimentare selectate.

- Valorile furnizate pentru alte programe decât programul eco sunt doar orientative
- Dacă modelul dvs. este dotat cu senzor de turbiditate, acesta are programul Auto în locul programului Intensiv.
- Programul Eco este adecvat pentru curățarea veselei cu grad normal de murdărire, pentru această utilizare fiind cel mai eficient program din punct de vedere al consumului de energie și apă, fiind utilizat pentru evaluarea conformității cu legislația europeană Ecodesign.
- Spălarea veselei în mașina de spălat vase de uz casnic de regulă consumă mai puțină energie și mai puțină apă în faza de spălare decât spălarea manuală atunci când mașina de spălat vase de uz casnic este utilizată conform indicațiilor producătorului.
- Utilizați numai detergent pulbere pentru programele scurte.
- Programele scurte nu includ uscarea.
- Pentru a grăbi uscarea vă recomandăm să deschideți puțin ușa după finalizarea unui ciclu.
- Puteți accesa baza de date a produselor, unde sunt stocate datele referitoare la model, prin citirea codului QR de pe eticheta referitoare la energie.

NOTĂ: Conform regulamentelor 1016/2010 și 1059/2010, valorile consumului de energie al programului Eco pot fi diferite. Prezentul tabel este conform cu reglementările 2019/2022 și 2017/2022



## IX. PANOUL DE COMANDĂ



1. Butonul Pornit/Oprit
2. Buton de selectare a programului
3. Afișaj
4. Buton de temporizare
5. Buton Încărcare la jumătate
- i. LED indicator Încărcare la jumătate
- ii. Indicator de sare
- iii. Indicator de aditiv de clătire

### 1. Butonul Pornit/Oprit

Porniți mașina apăsând butonul Pornit/Oprit Când mașina este pornită, afișajul (3) indică „--“.

### 2. Buton de selectare a programului

Cu ajutorul butonului de Selectare a programului, selectați un program adecvat pentru vasele dvs. Programul va începe automat la închiderea ușii.

### 3. Afișaj

În timpul funcționării afișajul indică alternativ numărul programului selectat și durata totală și durata rămasă.

### 4. Buton de temporizare

Apăsați butonul Temporizare pentru a amâna pornirea programului selectat pe o durată între 1 oră și 19 ore. Prin apăsarea butonului o singură dată se va amâna începerea programului cu 1 oră, iar apăsarea în continuare va mări durata de temporizare. Apăsați butonul Temporizare pentru a modifica sau anula pornirea temporizată. Dacă opriți mașina în timp ce temporizarea este activată, durata de temporizare este amânată.

### 5. Butonul Încărcare la jumătate

Apăsați butonul Încărcare la jumătate pentru a reduce durata programului selectat, reducând astfel consumul de energie și apă. Când este selectată opțiunea Încărcare la jumătate, se aprinde LED-ul Încărcare la jumătate (i).

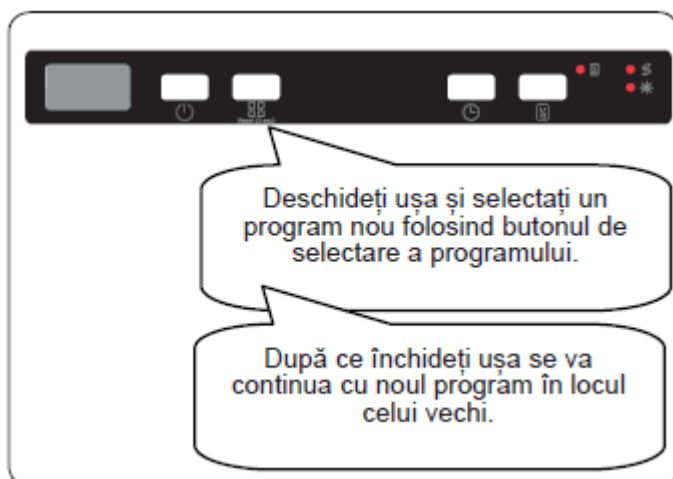
**NOTĂ:** Dacă decideți să nu porniți programul respectiv, consultați secțiunile „Schimbarea unui program” și „Anularea unui program”.

**NOTĂ:** Dacă sarea de dedurizare este insuficientă, se va aprinde indicatorul de avertizare Lipsă sare pentru a indica faptul că trebuie umplut compartimentul de sare.

**NOTĂ:** Dacă aditivul de clătire este insuficient, se va aprinde indicatorul de avertizare Lipsă de aditiv de clătire (iii) pentru a indica faptul că trebuie umplut compartimentul de aditiv de clătire.

### Schimbarea unui program

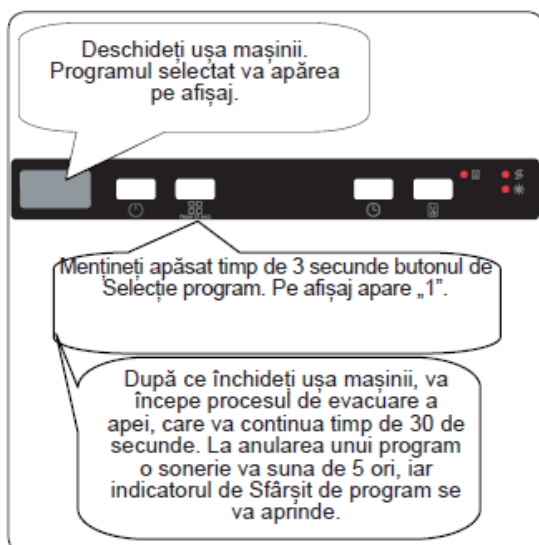
Urmați pașii de mai jos dacă doriți să modificați un program în timpul funcționării.



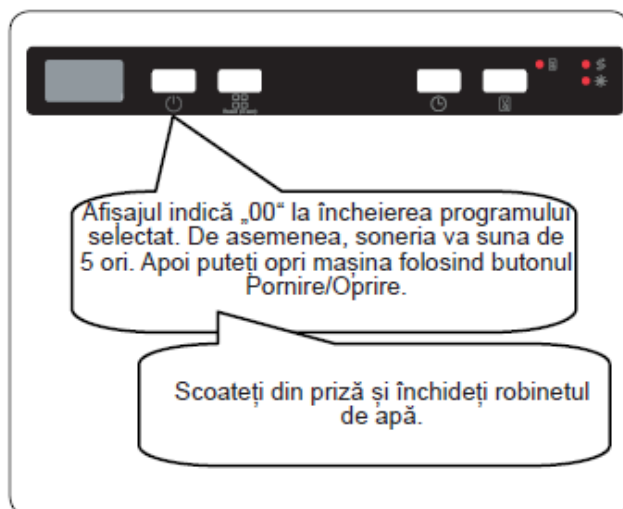
**NOTĂ:** La început deschideți ușa puțin, pentru a evita curgerea apei, dacă doriți să opriți un program de spălare înainte de finalizare.

### Anularea unui program

Urmați pașii de mai jos dacă doriți să anulați un program în timpul funcționării.



### Oprirea mașinii



**NOTĂ:** Nu deschideți ușa înainte de încheierea programului.

**NOTĂ:** Dacă ușa mașinii este deschisă sau alimentarea este întreruptă în timpul efectuării unui program, acesta va continua la închiderea ușii sau la reluarea alimentării.

**NOTĂ:** Dacă ușa mașinii este deschisă sau alimentarea este întreruptă în timpul procesului de uscare, programul va fi întrerupt. Mașina va fi acum gata pentru selectarea unui nou program.

### Setarea sunetului de avertizare

Pentru a modifica volumul sunetului soneriei, urmați pașii de mai jos:

1. Deschideți ușa și apăsați simultan, timp de 3 secunde, butoanele Program (2) și Temporizare (4).
2. Când se recunoaște setarea sunetului, soneria emite un sunet prelung iar mașina va afișa nivelul setat cel mai recent, de la „S0” la „S3”.
3. Pentru a reduce volumul apăsați butonul Program (2). Pentru a mări volumul apăsați butonul Temporizare (4).
4. Pentru a salva volumul sonor selectat opriți mașina. „S0” înseamnă că toate sunetele sunt oprite. Setarea din fabrică este „S3”.

## X. CURĂȚARE ȘI ÎNTREȚINERE

**Curățarea mașinii de spălat vase este importantă pentru prelungirea duratei de exploatare a acesteia.**

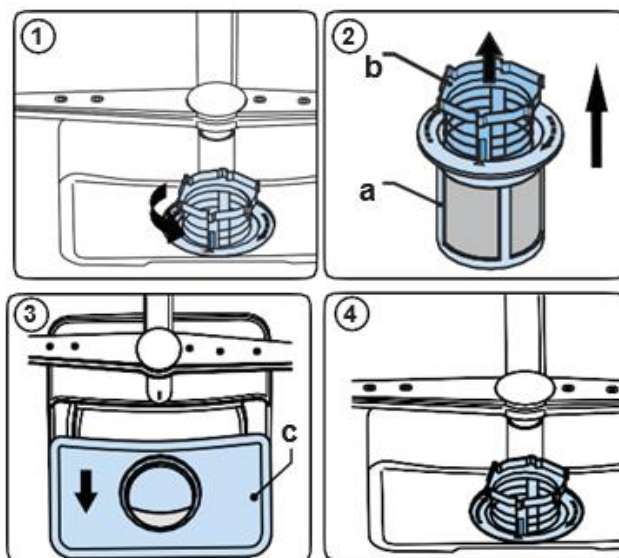
În timp, grăsimea și calcarul se pot acumula în mașina de spălat vase. În acest caz:

- Umpleți compartimentul pentru detergent fără a pune vase în mașină. Selectați un program care utilizează o temperatură ridicată și porniți mașina. Dacă acest proces nu curăță mașina suficient, utilizați un agent de curățare special conceput pentru mașini de spălat vase.
- Pentru a îndepărta resturile acumulate pe garniturile ușii, ștergeți-le periodic cu o cârpă umedă.

### Curățarea mașinii și a filtrelor

Curățați filtrele și brațele de pulverizare cel puțin o dată pe săptămână. Dacă rămân resturi de alimente pe filtrul grosier sau pe filtrul fin, îndepărtați-le și curățați bine filtrele cu apă.

- d) Micro-filtru
- e) Filtru grosier
- f) Filtru metalic

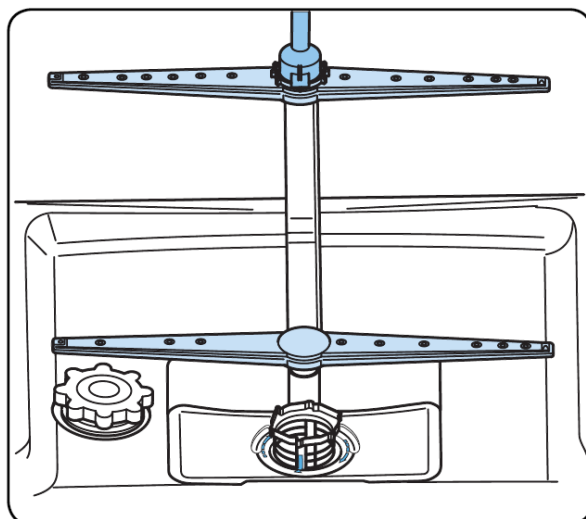


Pentru a demonta și curăța ansamblul filtrelor, rotiți-l în sens contrar acelor de ceasornic și scoateți-l prin ridicare (1). Scoateți filtrul grosier din micro-filtru (2). Apoi scoateți filtrul metalic (3). Clătiți filtrele cu multă apă și asigurați-vă că ați îndepărtat toate resturile. Reasamblați filtrele. Introduceți ansamblul filtrelor în locașul acestuia și rotiți-l în sensul acelor de ceasornic (4).

- Nu utilizați mașina de spălat vase fără ansamblul filtrelor.
- Montarea incorectă a ansamblului filtrelor va reduce eficiența spălării.
- Curățarea filtrelor este foarte importantă pentru funcționarea corespunzătoare a mașinii.

### Brațele de pulverizare

Asigurați-vă că orificiile brațelor de pulverizare nu sunt înfundate și că pe brațele de pulverizare nu sunt lipite resturi de alimente. Dacă orificiile brațelor sunt înfundate, scoateți brațele și curățați-le sub jet de apă. Pentru a scoate brațul de pulverizare superior, desfaceți piulița de fixare a acestuia prin rotire în sensul acelor de ceasornic și trageți de braț în jos. Asigurați-vă că piulița de fixare este strânsă corespunzător atunci când montați la loc brațul de pulverizare superior.



### Pompa de evacuare

Reziduurile mari de alimente sau obiectele străine neoprite de filtre pot bloca pompa de apă uzată. Apa de clătire se va afla atunci deasupra filtrului.

### Avertizare Risc de tăiere!

La curățarea pompei de apă uzată aveți grijă să nu vă răniți cu sticlă spartă sau obiecte ascuțite. În acest caz:

1. În primul rând, deconectați întotdeauna aparatul de la rețeaua de alimentare.
2. Scoateți coșurile.
3. Scoateți filtrele.
4. Scoateți apa folosind un burete, dacă este necesar.
5. Verificați zona și îndepărtați orice obiecte străine.
6. Instalați filtrele.
7. Reintroduceți coșurile.

## XI. REMEDIEREA PROBLEMELOR

PROBLEMĂ	CAUZĂ POSIBILĂ	REMEDIERE
Programul nu pornește.	Mașina de spălat vase nu este conectată la sursa de alimentare.	Conectați mașina de spălat vase la sursa de alimentare.
	Mașina de spălat vase nu este pornită.	Porniți mașina de spălat vase prin apăsarea butonului de pornire/oprire.
	Siguranța este arsă.	Verificați siguranțele instalației electrice.
	Robinetul de apă este închis.	Deschideți robinetul de apă.
	Ușa mașinii de spălat vase este deschisă.	Închideți ușa mașinii de spălat vase.
	Furtunul de alimentare cu apă și filtrele mașinii sunt înfundate.	Verificați furtunul de alimentare cu apă și filtrele mașinii și asigurați-vă că acestea nu sunt înfundate.
Apa rămâne în interiorul mașinii.	Furtunul de evacuare a apei este înfundat sau răsucit.	Verificați furtunul de evacuare a apei și curățați-l sau dezrăsuciți-l.
	Filtrele sunt înfundate.	Curățați filtrele.
	Programul nu este încă finalizat.	Așteptați până la finalizarea programului.
Mașina se oprește în timpul spălării.	Întreprupere a furnizării de energie electrică.	Verificați sursa de alimentare cu energie electrică.
	Problemă a alimentării cu apă.	Verificați robinetul de apă.
Mașina trepidează și se aud bătăi în timpul spălării.	Brațul de pulverizare lovește vasele din coșul inferior.	Rearanjați sau scoateți obiectele care blochează brațul de pulverizare.
Resturi parțiale de alimente rămân pe vase.	Vasele sunt așezate incorect în mașină, apa pulverizată nu a ajuns în locurile respective.	Nu supraîncărcați coșurile.
	Vasele se sprijină unele de celelalte.	Așezați vasele conform instrucțiunilor din secțiunea privind încărcarea coșurilor.
	Nu se utilizează detergent suficient.	Utilizați cantitatea corespunzătoare de detergent, așa cum este indicat în tabelul cu programe.
	Este selectat un program de spălare nepotrivit.	Utilizați informațiile din tabelul cu programe pentru a selecta cel mai potrivit program de spălare.
	Brațele de pulverizare sunt înfundate cu resturi de alimente.	Curățați orificiile din brațele de pulverizare cu ajutorul unor obiecte subțiri.
	Pompa de evacuare a apei sau filtrele sunt înfundate sau filtrul este montat necorespunzător.	Asigurați-vă că furtunul de evacuare și filtrele sunt montate corect.

PROBLEMĂ	CAUZĂ POSIBILĂ	REMEDIERE
Rămân pete albe pe vase.	Nu se utilizează detergent suficient.	Utilizați cantitatea corespunzătoare de detergent, așa cum este indicat în tabelul cu programe.
	Agentul de clătire și/sau de agentul de dedurizare nu sunt dozați în cantitate suficientă.	Creșteți nivelul agentului de clătire și/sau al agentului de dedurizare a apei.
	Nivelul de duritate a apei este ridicat.	Creșteți nivelul agentului de dedurizare a apei și adăugați sare.
	Capacul compartimentului pentru sare nu este închis corespunzător.	Asigurați-vă că ați închis corespunzător capacul compartimentului pentru sare.
Vasele nu se usucă.	Funcția de uscare nu este selectată.	Selectați un program care să includă funcția de uscare.
	Nivelul de dozare a agentului de clătire este prea scăzut.	Creșteți nivelul de dozare a agentului de clătire.
Se formează pete de rugină pe vase.	Vasele din inox sunt de slabă calitate.	Utilizați numai vase rezistente la spălare în mașina de spălat vase.
	Nivel ridicat de sare în apă.	Reglați nivelul durității apei cu ajutorul tabelului privind duritatea.
	Capacul compartimentului pentru sare nu este închis corespunzător.	Asigurați-vă că ați închis corespunzător capacul compartimentului pentru sare.
	Ați vărsat prea multă sare în mașina de spălat vase.	Utilizați o pâlnie atunci când umpleți compartimentul pentru sare.
	Împământare necorespunzătoare.	Apelați imediat la un electrician calificat.
Rămâne detergent în compartimentul pentru detergent.	Compartimentul a fost ud în momentul adăugării detergentului.	Asigurați-vă că, înainte de utilizare, compartimentul pentru detergent este uscat.

**CODURI DE EROARE ȘI SOLUȚII**

COD DEFECTIUNE	DEFECTIUNE POSIBILĂ	CE TREBUIE FĂCUT
FF	Defecțiune la sistemul de admisie a apei	Verificați ca robinetul de admisie a apei să fie deschis și apa să curgă.
		Demontați furtunul de admisie de la robinet și curățați filtrul furtunului.
		Dacă eroarea continuă, apălați la service.
F5	Defecțiune la sistemul de presiune	Apelați la service.
F3	Admisie continuă de apă	Închideți robinetul și apălați la service.
F2	Imposibilitatea evacuării apei	Furtunul sau filtrele de evacuare pot fi înfundate.
		Anulați programul.
		Dacă eroarea continuă apălați la service.
F8	Eroare încălzire	Apelați la service.
F1	Revărsare de preaplin	Scoateți mașina din priză și închideți robinetul.
		Apelați la service.
FE	Placă electronică defectă	Apelați la service.
F7	Suprîncălzire	Apelați la service.
F9	Eroare poziție derivator	Apelați la service.
F6	Senzor încălzire defect	Apelați la service.
HI	Defecțiune de înaltă tensiune	Apelați la service.
LO	Defecțiune de joasă tensiune	Apelați la service.



## XII. INFORMAȚII PRACTICE

1. Atunci când nu utilizați mașina:
  - Deconectați ștecărul de la sursa de alimentare și închideți robinetul.
  - Lăsați ușa întredeschisă pentru a evita acumularea de mirosuri neplăcute.
2. Activați funcția de uscare pentru a îndepărta picăturile de apă.
3. Puneți vasele în mașină în mod corespunzător, pentru a obține un consum de energie redus și pentru eficientizarea spălării și uscării. Pentru informații suplimentare, consultați informațiile din tabelul cu programe.
4. Clătiți vasele murdare înainte de a le introduce în mașina de spălat vase.
5. Utilizați programul de prespălare numai atunci când este necesar.
6. Nu poziționați mașina în apropierea unui frigider, deoarece aceasta funcționează la temperaturi ridicate.
7. Dacă mașina se află într-un spațiu în care există riscul de îngheț, opriți robinetul de apă, deconectați furtunul de la robinet și evacuați complet apa din furtun și din mașină.

### **SERVICE ȘI ASISTENȚĂ PENTRU CLIENȚI**

Utilizați numai piese de schimb originale.

Când contactați centrul nostru de service autorizat, asigurați-vă că aveți la îndemână următoarele informații: Denumirea modelului și numărul de serie.

Informațiile pot fi găsite pe plăcuța cu date tehnice. Acestea pot suferi modificări fără o notificare prealabilă.

### **DATE TEHNICE**

Informațiile tehnice se află pe plăcuța cu date tehnice a aparatului și pe eticheta energetică.

Codul QR de pe eticheta energetică furnizată împreună cu aparatul oferă un link web către informațiile din baza de date EPREL cu privire la performanțele aparatului.

Păstrați eticheta energetică pentru consultări ulterioare, împreună cu manualul de utilizare și cu toate celelalte documente furnizate împreună cu acest aparat.

De asemenea, puteți găsiți aceleași informații în baza de date EPREL, folosind link-ul <https://eprel.ec.europa.eu> și denumirea modelului o găsiți pe plăcuța cu date tehnice a aparatului.

Pentru a accesa informațiile despre produsul Dvs în portalul EPREL, puteți scana codurile de mai jos:



Vă mulțumim pentru achiziționarea acestui produs! Dacă aveți nevoie de asistență în ceea ce privește produsul dumneavoastră, vizitați site-ul nostru web utilizând linkurile de mai jos:

**Manuale de utilizare:** <https://www.heinner.ro>

**Informatii referitoare la service:** <https://www.heinner.ro>



### **MASURI PENTRU PROTECTIA MEDIULUI**

Va informam ca persoanele fizice au urmatoarele obligatii prin legislatia specifica privind protectia mediului si regimul deseurilor:

- Deseurile de echipamente electrice si electronice (DEEE), pot contine substante periculoase pentru mediu si sanatatea umana. Conform OUG 5/2015, exista obligativitatea predarii acestora, pentru tratarea corespunzatoare si valorificarea componentelor reciclabile. Societatea Network One Distribution S.R.L. este platitoare de taxa de "timbru verde" pentru fiecare Echipament Electric si Electronic (EEE) pe care il pune pe piata. Acest cost asigura tratarea ulterioara a echipamentelor uzate colectate. Din acest motiv, odata ce devine deseu, produsul EEE poate fi predat gratuit operatorului Dvs. de salubritate, la magazine atunci cand achizitionati alt echipament similar, sistemul "unul la unu" sau la punctul de colectare organizat de Primaria Sectorului / localitatii Dvs.
- Simbolul (marcajul) aplicat produselor, care indica faptul ca deseurile DEEE, bateriile si acumulatorii - fac obiectul unei colectari separate, il reprezinta o pubea barata cu o cruce.



#### ***Aceste masuri vor ajuta la protejarea mediului***

Societatea Network One Distribution S.R.L. este inregistrata in Registrul de punere pe piata a echipamentelor electrice si electronice, avand numarul de inregistrare: RO-2016-03-EEE-0201-IV. De asemenea, au fost intocmite si sunt gestionate: Registrul de Retragere EEE si Registrul de Rechemare EEE, in conformitate cu HG 322/2013. Totodata societatea este inregistrata in Registrul de punere pe piata a bateriilor, avnd numarul de inregistrare: RO-2011-03-B&A-0283.

Conformitatea cu directiva RoHS: Produsul pe care l-ati cumparat este conform cu Directiva RoHS UE (2011/65/UE). Nu contine materialele daunatoare si interzise specificate in Directiva.

**Va multumim ca participati alaturi de noi la protejarea mediului si a sanatatii umane!**



**HEINNER** este marcă înregistrată a companiei **Network One Distribution SRL**. Celelalte branduri și denumirile produselor sunt mărci de comerț sau mărci de comerț înregistrate ale respectivilor deținători.

Nicio parte a specificațiilor nu poate fi reprodusă sub nicio formă și prin niciun mijloc, nici utilizată pentru obținerea unor derivate precum traduceri, transformări sau adaptări, fără consimțământul prealabil al companiei NETWORK ONE DISTRIBUTION.

Copyright © 2013 Network One Distribution. Toate drepturile rezervate.

[www.heinner.com](http://www.heinner.com), <http://www.nod.ro>



Acest produs este proiectat și realizat în conformitate cu standardele și normele Comunității Europene.

Importator: **Network One Distribution**

Str. Marcel Iancu, nr. 3-5, București, România

Tel: +40 21 211 18 56, [www.heinner.com](http://www.heinner.com), [www.nod.ro](http://www.nod.ro)