

HEINNER

DISHWASHER

HDW-FS6006DGE++/HDW-FS6006DSE++



- Dishwasher
- Number of place settings: 12
- Number of programs: 6
- Energy class: E

Thank you for purchasing this product!

I. INTRODUCTION

Before using the appliance, please read carefully this instruction manual and keep it for future reference.

This instruction manual is designed to provide you with all required instructions related to the installation, use and maintenance of the appliance.

In order to operate the unit correctly and safety, please read this instruction manual carefully before installation and usage.

II. CONTENT OF YOUR PACKAGE



- **Dishwasher**
- **User manual**
- **Warranty card**

III. SAFETY INSTRUCTIONS

Safety Information

When you take delivery of your machine

- Check for any damage to your machine or to its packaging. Never start a machine damaged in any way, make sure to contact an authorised service.
- Unwrap the packaging materials as indicated and dispose of them in accordance with the rules.

The points to pay attention during machine installation

- Choose a suitable, safe and level place to install your machine.
- Carry out the installation and connection of your machine by following the instructions.
- This machine should be installed by a service agent or a similar qualified person
- Only original spare parts should be used with the machine.
- Before installing, be sure that the machine is unplugged.
- Check whether the indoor electrical fuse system is connected according to the regulations.
- All electrical connections must match the values indicated on the rating plate.
- Pay special attention and be sure that the machine does not stand on the electricity supply cable.
- Never use an extension cord or a multiple socket for making a connection. The plug should be comfortably accessible after the machine has been installed.
- After installing the machine to a suitable place, run it unloaded for the first time.

In daily use

- This machine is for household use; do not use it for any other purpose. Commercial usage of the dishwasher will void the guarantee.
- Do not get up, sit or place a load on the open door of the dishwasher, it may fall over.
- Never put into the detergent and rinse aid dispensers of your machine anything other than those detergents and rinse aids which are produced specifically for dishwashers. Our company will not be responsible for any damage that might occur in your machine otherwise.
- The water in the machine's washing section is no drinking water do not drink it.
- Due to danger of explosion, do not put into the machine's washing section any chemical dissolving agents such as solvents.
- Check whether plastic items are heat-resistant before washing them in the machine.
- This appliance can be used by children aged from 8 years and above and persons with reduced physical, sensory or mental capabilities or lack of experience and knowledge if they have been given supervision or instruction concerning use of the appliance in a safe way and understand the hazards involved. Children shall not play with the appliance. Cleaning and user maintenance shall not be made by children without supervision.
- Do not put into your machine those items which are not suitable for dishwashing. Also, do not fill any basket above its capacity. Our company will not be responsible for any scratch or rust to form on the inner frame of your machine due to basket movements otherwise.
- Especially because hot water may flow out, the machine door should not be opened under any circumstances while the machine is in operation. In any case, a safety device ensures that the machine stops if the door is opened.
- Do not leave your dishwasher's door open. Failure to do so may lead to accidents.
- Place knives and other sharp-ended objects in the cutlery basket in blade-down position.
- If the supply cord is damaged, it must be replaced by the service agent or similarly qualified persons in order to avoid a hazard.

- This appliance is not intended for use by persons (including - children) with reduced physical, sensory or mental capabilities, or lack of experience and knowledge, unless they have been given supervision or instruction concerning use of the appliance by a person responsible for their safety.
- Only for models with the automatic door-opening system (your model do not have this system): If EnergySave option is selected as "Yes", the door will be opened at the end of the program. Do not force to close the door to avoid harm auto door mechanism during 1 minutes. The door must be open during 30 minutes to get effective drying (in models with auto door opening system).

Warning: Do not stand in front of the door after the signal sounds belonging auto-open.

For your children's safety

- After removing the machine's packaging, make sure that the packaging material is out of reach of children.
- Do not allow children to play with or start the machine.
- Keep your children away from detergents and rinse aids.
- Keep children away from the machine while it is open because there may still be residues of cleaning substances inside the machine.
- Be sure that your old machine does not pose any threat to your children. Children are known to have gotten themselves locked in old machines. To forestall such a situation, break your machine's door lock and tear off the electrical cables.

In case of malfunctioning

- Any malfunction in the machine should be repaired definitely by qualified persons. Any repair work performed by anyone other than the authorised service personnel will cause your machine to be left outside the scope of warranty.
- Prior to any repair work on the machine, be sure that the machine is cut off from the mains. Switch off the fuse or unplug the machine. Do not pull by the cable when unplugging. Make sure to turn off the water tap.

Recommendations

- For energy and water saving, remove coarse residues on your dishes before placing the dishes into the machine. Start your machine after having fully loaded it.
- Use the pre-wash programme only whenever necessary.
- Place such hollow items as bowls, glasses and pots into the machine in such a way that they will face down.
- You are recommended not to load into your machine any dishes different or more than indicated.

Items not suitable for dishwashing:

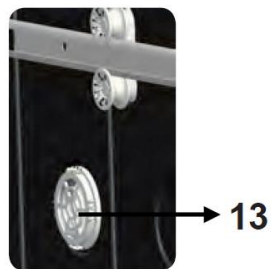
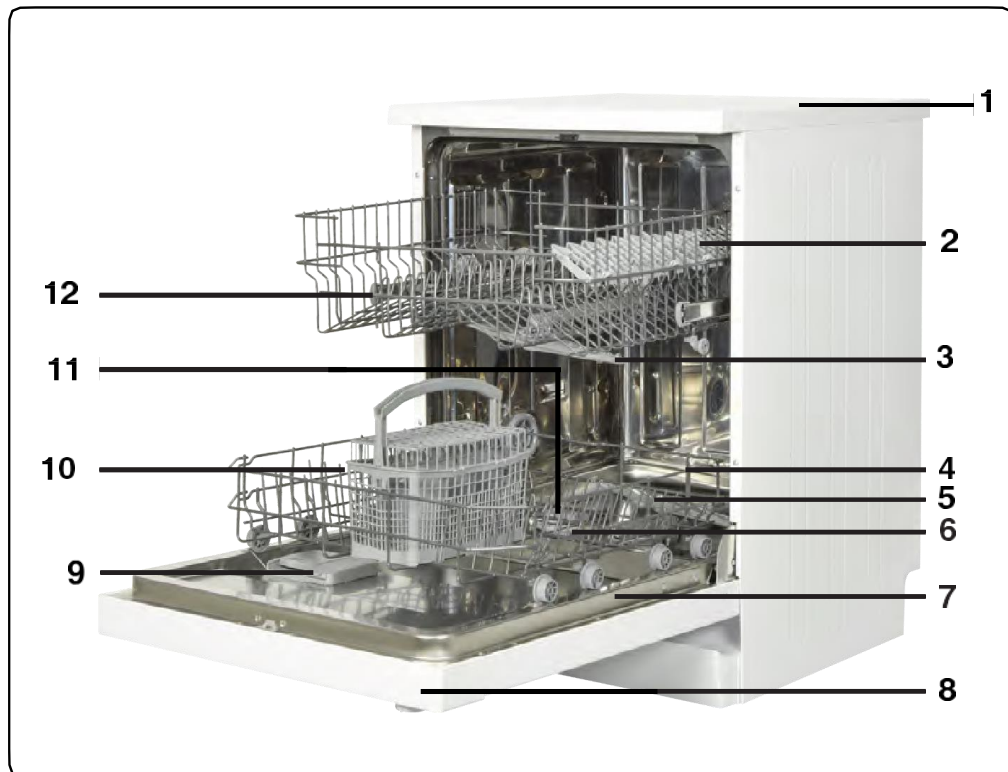
- Cigarette ashes, candle leftovers, polish, paint, chemical substances, iron-alloy materials;
- Forks, spoons and knives with wooden or bone, or ivory or nacre-coated handles; glued items, items soiled with abrasive, acidic or base chemicals.
- Plastic items that are not heat-resistant, copper or tin-coated containers.
- Aluminium and silver objects (they may discolour, become dull).
- Certain delicate glass types, porcelains with ornamental printed patterns as they fade even after the first wash; certain crystal items as they lose their transparency over time, adhered cutlery that is not heat-resistant, lead crystal glasses, cutting boards, items manufactured with synthetic fibre.
- Absorbent items as sponges or kitchen rags are not suitable for dishwashing.

Warning: Take care to buy dishwasher-proof sets in your future purchases.

Recycling

- Certain components and the packaging of your machine have been produced from recyclable materials.
- Plastic parts are marked with international abbreviations: (>PE<, >PS<, >POM<, >PP<,)
- Cardboard parts have been produced from recycled paper and they should be disposed of into waste paper collection containers for recycling.
- Such materials are not suitable for being disposed of into garbage bins. They should be delivered to recycling centres instead.
- Contact relevant centres in order to obtain information on methods and points of disposal.

IV. PRODUCT DESCRIPTION



1. Worktop
2. Upper basket with racks
3. Upper spray arm
4. Lower basket
5. Lower spray arm
6. Filters
7. Rating plate
8. Control panel
9. Detergent and rinse-aid dispenser
10. Cutlery basket
11. Salt dispenser
12. Upper basket track latch
13. **Active drying unit:** This system provides better drying performance for your dishes

Technical specifications

Capacity	12 place settings
Height	850 mm
Height (without worktop)	820 mm
Width	598 mm
Depth	598 mm
Net Weight	41.5 kg
Electricity input	220-240 V, 50 Hz
Total Power	1900 W
Heating Power	1800 W
Pump Power	100 W
Drain Pump Power	30 W
Water supply pressure	0.03 MPa (0,3 bar)-1 MPa (10 bar)
Current	10 A

V. INSTALLATION

Positioning the machine

When determining the place to put your machine on, take care to choose a place where you can easily load and unload your dishes.

Do not put your machine in any location where there is the probability for the room temperature to fall below 0°C.

Before positioning, take the machine out of its packaging by following the warnings located on the package.

Position the machine close to a water tap or drain. You need to site your machine, taking into consideration that its connections will not be altered once they are made.

Do not grip the machine by its door or panel in order to move it.

Take care to leave a certain clearance from all sides of the machine so that you can comfortably move it back and forth during cleaning.

Make sure that the water inlet and outlet hoses do not get squeezed while positioning the machine. Also, make sure that the machine does not stand on the electrical cable.

Adjust the machine's adjustable feet so that it can stand level and balanced. Proper positioning of the machine ensures problem-free opening and closing of its door.

If the door of your machine does not close properly, check if the machine is stable on the floor it stands; if not, adjust the adjustable feet and ensure its stable position.

Water connection

Be sure that the indoor plumbing is suitable for installing a dishwasher. Also, we recommend that you fit a filter at the entrance of your place or apartment so as to avoid any damage to your machine because of any contamination (sand, clay, rust etc.) that might be occasionally carried in through the mains water supply or the indoor plumbing, and to forestall such complaints as yellowing and formation of deposits after washing.

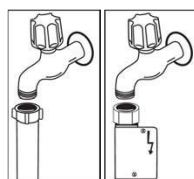
Water inlet hose



Do not use the water inlet hose of your old machine, if any. Use the new water inlet hose supplied with your machine instead. If you are going to connect a new or long - unused water inlet hose to your machine, run water through it for a while before making the connection. Connect the water inlet hose directly to the water inlet tap. The pressure supplied by the tap should be at a minimum of 0.03 Mpa and at a maximum of 1 Mpa. If the water pressure is above 1 Mpa, a pressure-relief valve should be fitted inbetween.

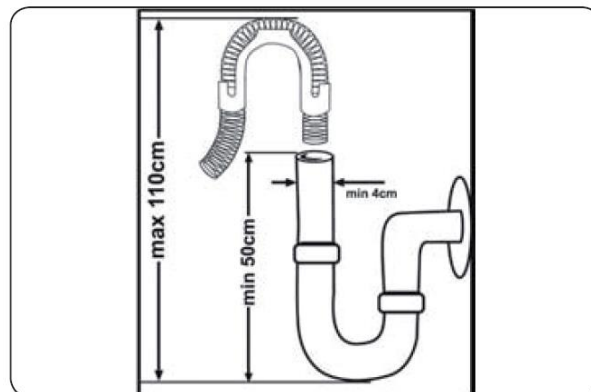
After the connections are made, the tap should be turned on fully and checked for water tightness. For the safety of your machine, make sure to always turn off the water inlet tap after each wash programme is finished.

Note printing on the water inlet hose! If models are marked with 25°, the water temperature may be max. 25 °C (cold water). For all other models: Cold water preferred; hot water max. temperature 60 °C.



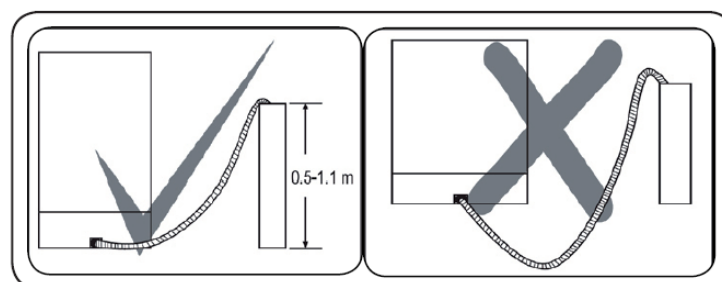
NOTE: Aquastop water spout is used in your model. In case of using Aquastop, a dangerous tension exists. Do not cut Aquastop water spout. Do not let it get folded or twisted.

Water outlet hose



The water drain hose can be connected either directly to the water drain hole or to the sink outlet spigot. Using a special bent pipe (if available), the water can be drained directly into the sink via hooking the bent pipe over the edge of the sink. This connection should be at a minimum of 50 cm and at a maximum of 110 cm from the floor plane.

Warning: When a drain hose longer than 4 m is used, the dishes might remain dirty. In that case, our company will not accept responsibility.



Electrical connection

The earthed plug of your machine should be connected to an earthed outlet supplied by suitable voltage and current. If there is no earthing installation, have a competent electrician carry out an earthing installation. In case of usage without earthing installed, our company will not be responsible for any loss of usage that might occur.

The indoor fuse current value should be 10-16 A.

Your machine is set according to 220-240 V. If the mains voltage in your location is 110 V, connect a transformer of 110/220 V and 3000 W inbetween. The machine should not be plugged in during positioning.

Always use the coated plug supplied with your machine. Running in low voltage will cause a decline in washing quality. The machine's electrical cable should be replaced by an authorised service or an authorised electrician only. Failure to do so may lead to accidents.

For safety purposes, always make sure to disconnect the plug when a wash programme is finished.

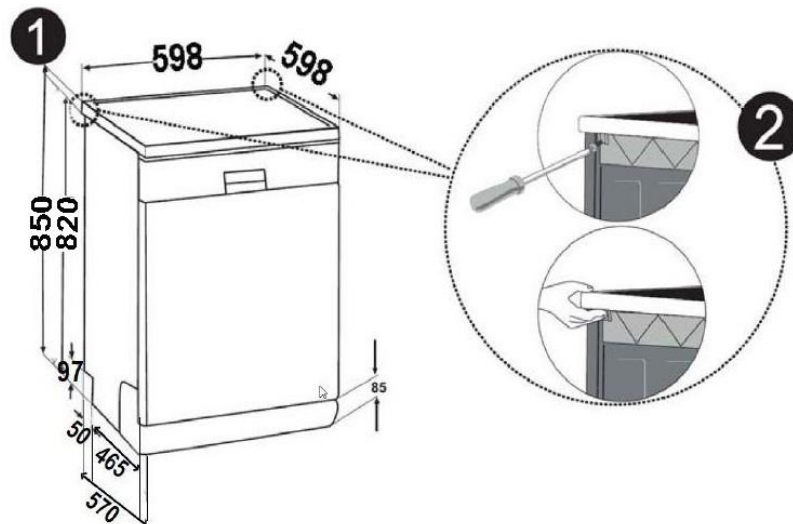
In order not to cause an electric shock, do not unplug when your hands are wet.

When disconnecting your machine from the mains supply, always pull from the plug. Never pull the cord itself.

Connect the product to a grounded outlet protected by a fuse complying with the values in the "Technical Specifications" table".

Fitting the machine undercounter

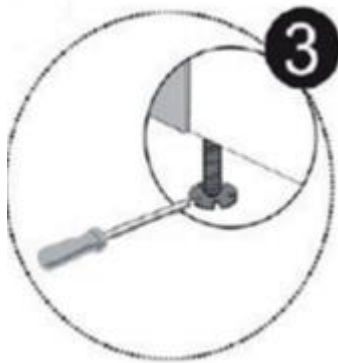
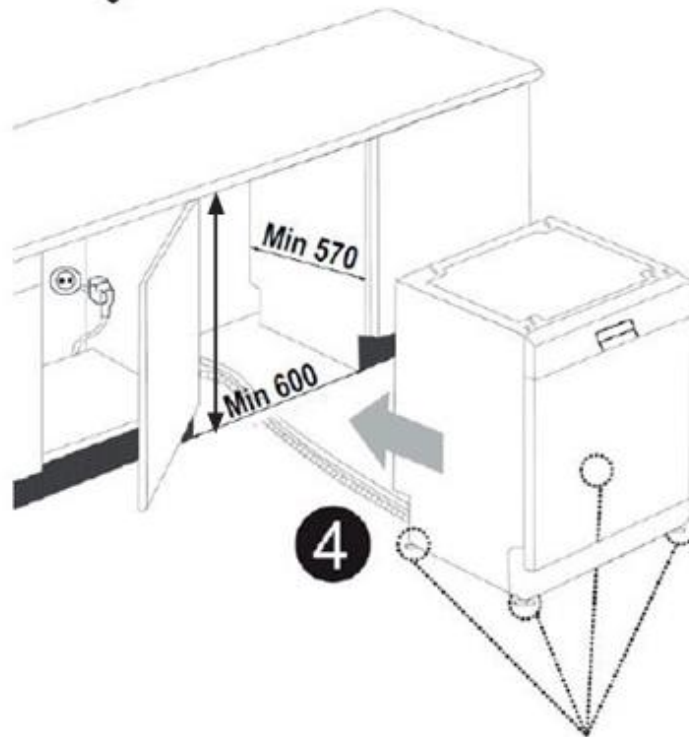
If you wish to fit your machine undercounter, check whether you have sufficient space under your countertop and whether the wiring-plumbing is suitable to do so. **1** If you decide that the space under the countertop is suitable for fitting your machine, remove the worktop as shown in the illustration. **2**



Warning: The stand part which we will settle our machine under it by removing its worktop has to be stable in such a way not to allow balance disorder.

To remove the worktop, remove the screws that hold the worktop which are located at the rear of the machine; then push the front panel 1 cm from the front side towards the rear and lift it. Adjust the machine feet according to the slope of the floor. **3** fit your machine by pushing it undercounter without letting the hoses get crushed or bent. **4**

Adjust the machine feet according to the slope of the floor. 3 Fit your machine by pushing it undercounter without letting the hoses get crushed or bent. 4



	Product		
	Without insulation	With insulation	
	All product	For 2nd basket	For 3rd basket
Height	820 mm	830 mm	835 mm

Warning: after removal of worktop, the machine should be placed in such a closed place of which dimensions are shown at fig.

VI. BEFORE USING THE APPLIANCE

Preparing your Dishwasher for first use

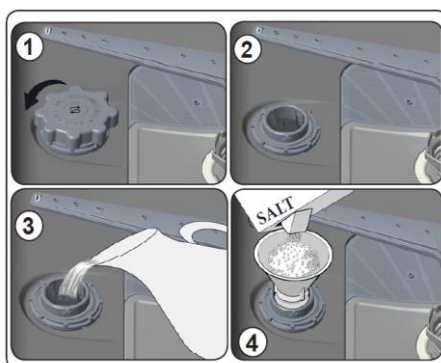
- Check whether the electricity and supply water specifications match the values indicated in the installation instructions for the machine.
- Remove all packaging materials inside the machine.
- Set the water softener level.
- Add 1 kg salt into the salt compartment and fill with water up to a level at which it will almost overflow.
- Fill the rinse aid compartment.

The importance of water decalcification

For a good washing function, the dishwasher needs soft, i.e. less calcareous water. Otherwise, white lime residues will remain on the dishes and the interior equipment. This will negatively affect your machine's washing, drying and shining performance. When water flows through the softener system, the ions forming the hardness are removed from the water and the water reaches the softness required to obtain the best washing result. Depending on the level of hardness of the inflowing water, these ions that harden the water accumulate rapidly inside the softener system. Therefore, the softener system has to be refreshed so that it operates with the same performance also during the next wash. For this purpose, dishwasher salt is used.

Filling with salt (the funnel is not included in the product package)

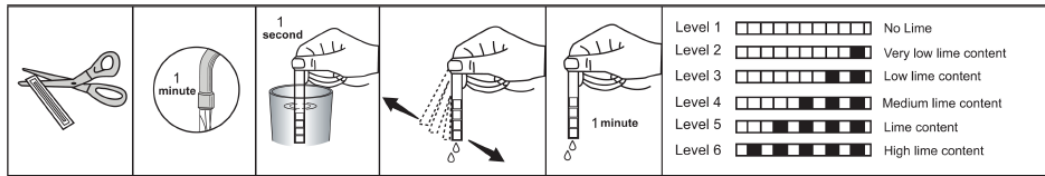
Use softener salt specifically produced for use in dishwashers. To put softener salt, first remove the lower basket and then open the salt compartment cap by turning it counter clockwise. At first fill the compartment with 1 kg salt and water at overflowing level. Using a funnel (Is not provided with the product) will make filling easier, refit the cap and close it. When salt absent indicator is lightened on (app between 20th-30th cycles depend on the water hardness) add salt into your machine until it fills up (approx. 1 kg). Fill the salt compartment with water at first use only. We recommend that you use small grained or powder softener salt. Do not put table salt into your machine. Otherwise the function of the softener compartment may decrease over time. When you start your dishwasher the salt compartment gets filled with water. Therefore, put the softener salt prior to starting your machine. This way, overflowing salt gets immediately cleaned up through the wash operation. If you are not going to wash any dishes immediately after putting salt, then run a short washing program with an empty machine in order to avoid any damage (to prevent corrosion) to your machine due to the salt overflow while filling in the salt container.



Testing strip (is not included in the product package)

The washing effectiveness of your machine depends on the softness of the tap water. For this reason, your machine is equipped with a system that reduces the hardness in mains water supply. The washing effectiveness will increase when the system is correctly set. To find out the water hardness level of water in your area, contact your local water distributor or determine water hardness level by using the test strip(not included in the package)

Open the testing strip.	Run water through your tap for 1 min.	Keep the testing strip in water for 1 sec.	Shake the testing strip after taking it out of water.	Wait for 1 min.	Make your machine's water hardness setting according to the result obtained through the testing strip.
-------------------------	---------------------------------------	--	---	-----------------	--

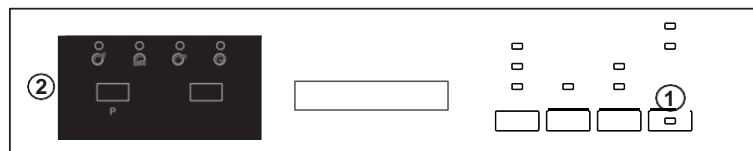


Water Hardness Table

Water hardness level	German hardness level dH	French hardness level dF	British hardness level dE	Hardness Level Indicator
1	0-5	0-9	0-6	L1 is seen on display.
2	6-11	10-20	7-14	L2 is seen on display.
3	12-17	21-30	15-21	L3 is seen on display.
4	18-22	31-40	22-28	L4 is seen on display.
5	23-31	41-55	29-39	L5 is seen on display.
6	32-50	56-90	40-63	L6 is seen on display.

Adjust the water hardness setting of your machine according to the level specified on the test strip.

NOTE: Hardness level is adjusted to level 3 as a factory setting.



Press program button (2) when the machine is off position.

Turn on the machine by pressing On/Off button (1) and continue to press program button (2) at least for 3”.

If “Hardness set” is recognized „SL” is shown for 2 seconds.

Release program button (2). The last setting level is viewed.

Press program button (2) to set the desired level. At any pressure of program button hardness level is incremented. Hardness level 1 returns after hardness level 6.

The last selected water hardness level is stored in the memory by cutting off energy of the machine with On/Off button(1).

WARNING: in case of moving, to configure the water hardness setting according to the water hardness of the area you have moved is important for the effectiveness of washing.

Detergent usage

Use a detergent specifically designed for use in domestic dishwashers.

You can find powder, gel, and tablet detergents in the market that have been designed for household dishwashers.

Detergent should be put into the compartment prior to starting the machine. Keep your detergents in cool, dry places out of reach of your children.

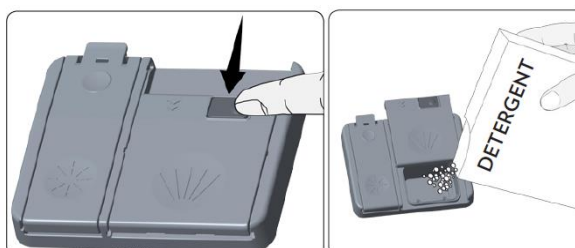
Do not fill detergent into the detergent compartment more than required; otherwise it may cause scratches on your glasses as well as lead to a poorly dissolved detergent.

Should you need more information concerning the detergent you will use, contact detergent manufacturers directly.

Filling the detergent compartment

Push the latch to open the detergent container as shown in the image. Detergent pod has level lines inside. It is possible to measure the right detergent amount using these lines. Detergent pod can take totally 40 cm³ detergent. Open the dishwasher detergent and pour into the larger compartment b 25 cm³ if your dishes are heavily soiled or 15 cm³ if they are less soiled. If your dishes have been kept dirty for a very long time, if there are dried food wastes on them, and if you have overly loaded the dishwasher pour a 5 cm³ detergent into the pre-wash compartment and start your machine.

You may have to add more detergent into your machine, depending on the degree of soil and on the water hardness level in your area.



Combined detergent

Detergent manufacturers also produce combined detergents called “2 in 1”, “3 in 1” or “5 in 1” etc.

“2 in 1” detergents contain detergent + salt or rinse aid. When using “2 in 1” detergents make sure to check the specifications of the tablet consists of.

Other tablet detergents contain detergent + rinse aid + salt + various extra functions.

Generally, combined detergents produce sufficient results under certain usage conditions only. Such detergents contain rinse aid and/or salt in preset amounts.

Points to consider when using this type of products:

- Always make sure to check the specifications of the product you will use or whether or not it is a combined product.
- Check if the detergent used is appropriate for the hardness of mains water that machine is pertaining to.
- Observe the instructions on packagings when using such products.
- If such detergents are in the form of tablets, never put them into the interior section or the cutlery basket of the dishwasher. Always put the tablets into the detergent compartment in the detergent dispenser.
- They produce good results for certain types of usage only. If you are using this type of detergents, you need to contact the manufacturers and find out about the suitable conditions of use.
- When the conditions of use of such products and the machine settings are appropriate, they ensure savings in salt and/or rinse aid consumption.
- Contact the detergent manufacturers if you are not obtaining good wash results (if your dishes stay calcareous and wet) after having used 2 in 1 or 3 in 1 detergents. The scope of warranty for your machine does not cover any complaints caused by the use of these types of detergents.

Recommended usage: If you want to obtain better results while using combined detergents, add salt and rinse aid into your machine and adjust the water hardness setting and the rinse aid setting to the lowest position.

Solubility of the tablet detergents produced by different companies can vary depending on the temperature and time. Therefore, it is not recommended to use such detergents in short programs. It is more suitable to use powder detergents in such programs.

Warning: Should any problem, which you have not encountered before, arise with the use of this type of detergents, contact the detergent manufacturers directly.

When you give up using combined detergents

- Fill the salt and rinse aid compartments.
- Adjust the water hardness setting to the highest position (6) and run an empty-wash.
- Adjust the water hardness level.
- Make the suitable rinse aid setting.

Filling with rinse aid and making the setting

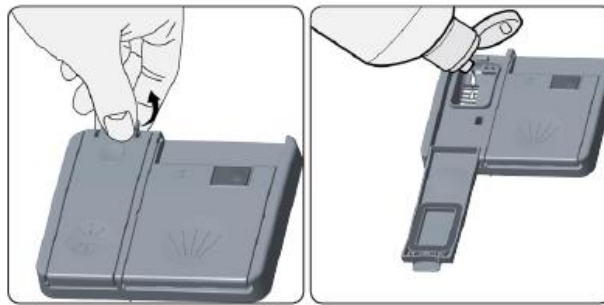
To fill the rinse aid compartment, open the rinse-aid compartment cap. Fill the compartment with rinse aid to the MAX level and then close the cap. Be careful not to overfill the rinse aid compartment and wipe up any spills.

In order to change the rinse aid level, follow the below steps before turning on the machine:

- Touch the programme button and hold it down.
- Turn on the machine.
- Hold down the programme button until “rA” disappears. Rinse aid set follows water hardness set.
- The machine will display the current setting.
- Set the level by touching the programme button.
- Switch off the machine to save the setting

The factory setting is “4”.

If the dishes are not drying properly or are spotted, increase the level. If blue stains form on your dishes, decrease the level.



Level	Brightener Dose	Indicator
1	Rinse-aid not dispensed	r1 is shown on the display.
2	1 dose is dispensed	r2 is shown on the display.
3	2 doses are dispensed	r3 is shown on the display.
4	3 doses are dispensed	r4 is shown on the display.
5	4 doses are dispensed	r5 is shown on the display.

VII. LOADING YOUR DISHWASHER

If you properly place your dishes into the machine, you will be using it in the best way in terms of energy consumption, washing and drying performance.

There are two separate baskets for you to load your dishes into your machine. You can load into the lower basket such round and deep items as pots with long handles, pot lids, plates, salad plates, cutlery sets.

The upper basket has been designed for tea plates, dessert plates, salad bowls, cups and glasses. When placing long-stem glasses and goblets, lean them against the basket edge, rack or glass supporter wire and not against other items. Do not lean long glasses against one another or they cannot remain steady and may receive damage.

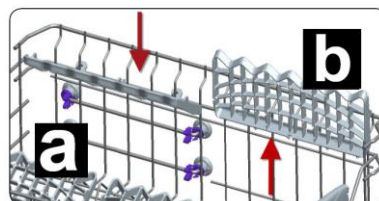
It is more appropriate to locate the thin narrow parts into the middle sections of baskets. You can place spoons among the other cutlery sets in order to prevent them from sticking to one another. You are recommended to use the cutlery grid in order to obtain the best result.

To avoid any possible injuries, always place such long-handle and sharp-pointed dishes as serving fork, bread knife etc. with their sharp points facing down or horizontally on the baskets.

Warning: Place your dishes into your machine in a way that they will not prevent the upper and lower spray arms from spinning.

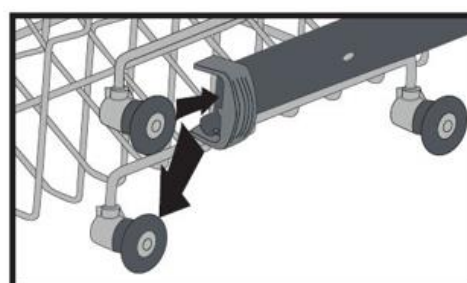
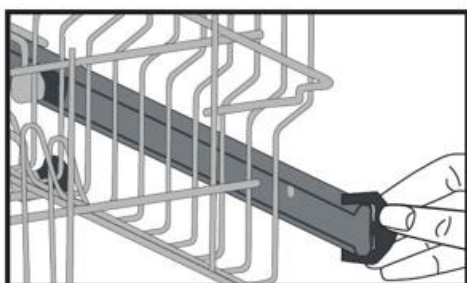
Dish rack

There are dish racks on the upper basket of your machine. **a b** You can use these dish racks in open or closed position. When they are in open position **a** you can place your cups on them; and when in closed position **b** you can place long glasses on the basket. Also, you can use these racks by placing long forks, knives and spoons on them laterally.

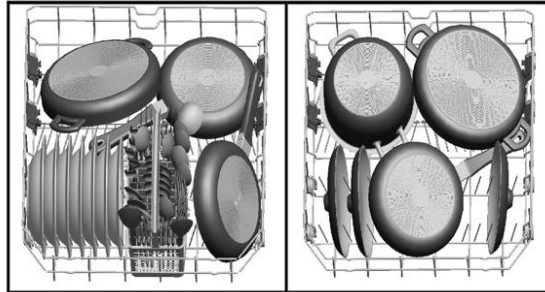


Top basket height adjustment

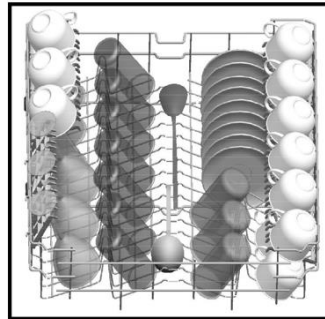
Top basket of your machine is in upper position. When it is in this position, you can place big items such as pans, etc. on lower basket. When you take top basket to lower position, you can place and wash big sized plates on the top basket. Use wheels in order to change the basket height. Open the basket retaining parts at the end of top basket rails by turning them to the sides and take the basket out. Change the position of the wheels, reinstall the basket to the rail and close basket retainer parts. In this way, you take the top basket to lower position.



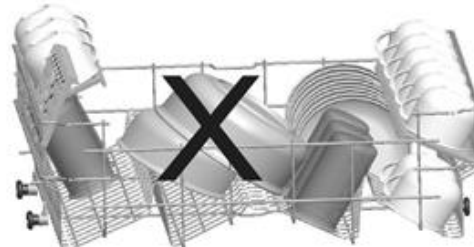
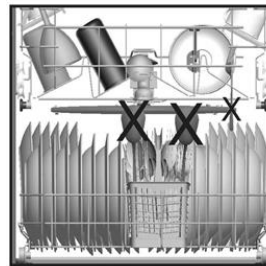
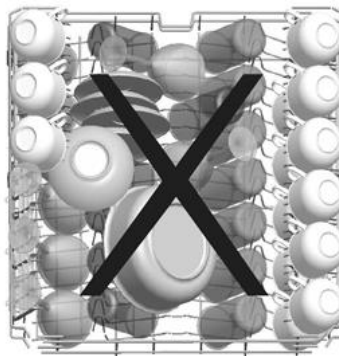
**Alternative Basket Loads
Lower Basket**



Top Basket



Faulty Loads



Incorrect loading can cause poor washing and drying performance. Please follow the manufacturer's recommendations for a good performans result.

VIII. PROGRAMME TABLE

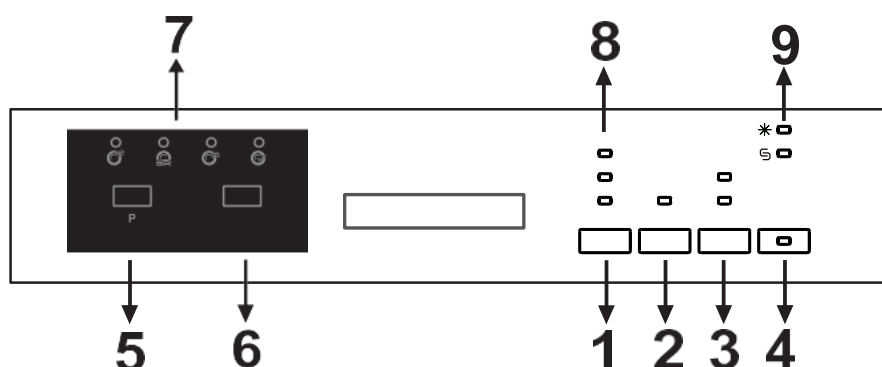
	P1	P2	P3	P4	P5	P6
Program Name:	Prewash	Quick 30'	Delicate 40°C	Eco	Super 50'	Intensive 65°C (Model Depending)
Type of Soil:	Suitable to rinse dishes that you plan to wash later.	Suitable for lightly soiled dishes and quick wash.	Suitable for lightly soiled delicate dishes.	Standard program for normally soiled daily using dishes with reduced energy and water consumptions.	Suitable for normally soiled daily dishes with faster program.	Suitable for heavily soiled dishes.
Level of Soil:	Light	Light	Light	Medium	Medium	Heavy
Amount of Detergent: A: 25 cm ³ ; B: 15 cm ³	-	A	A	A	A	A
Program Duration (h:min)	0:15	0:30	1:14	3:25	0:50	1:57
Electricity consumption (kWh/cycle)	0.02	0.74	0.88	0.923	1.1	1.7
Water consumption (l/cycle)	4.5	12.4	16	12	12	17.2

Warning: Short programs do not include a drying step. The values declared above are the values obtained under laboratory conditions according to relevant standards. These values can change depending on conditions of product's use and environment (network tension, water pressure, water input temperature and environment temperature).

- The program duration may change according to the amount of dishes, the water temperature, the ambient temperature and selected additional functions.
- Values given for programmes other than the eco programme are indicative only
- Eco programme is suitable to clean normally soiled tableware, that for this use, it is the most efficient programme in terms of its combined energy and water consumption, and that it is used to assess compliance with the EU ecodesign legislation.
- Washing tableware in a household dishwasher usually consumes less energy and water in the use phase than hand dishwashing when the household dishwasher is used according to the manufacturer's instructions.
- Only use powder detergent for short programs.
- Short programs do not include drying.
- To assist drying, we recommend slightly opening the door after a cycle is complete.
- You can access the product database where the model information is stored by reading the QR code on the energy label.

Note: According to regulations 1016/2010 and 1059/2010, Eco program energy consumption values may differ. This table is in line with regulations 2019/2022 and 2017/2022.

IX. CONTROL PANEL



You can press the On/Off button (4) to switch on the machine. On/off lights will be on so long as the machine is on. Press the program button (5) to set the suitable program.

Press the Start/Pause button (6) to start the program. Once the selected program has started, the Washing light will be on and the program duration will be displayed. If you open the door of the machine while the program is continuing, program number and program duration will be displayed alternately.

You can follow the program flow with the Washing, Rinsing, Drying and End lights (7) on the control panel. Once the drying light has become on, the machine will remain silent for 40 to 50 minutes.

NOTE: If you press the option button (3) once, half load option will be activated. This option will shorten the durations of the selected programs to reduce power and water consumption. If you are using combined detergents that contain salt, rinse aid and extra features, press the option button for the second time and activate the tablet function. You can use the Extra button to add the following functions to the compatible washing program.

When the hygiene function is active, you can make the washing process more hygienic by changing the washing temperature and durations of the current program.

If you select the extra rinsing function, the extra rinsing light will become on and thus, washing-rinsing steps will be added to the selected program, making your dishes cleaner and shinier.

If you select the extra drying function, the extra drying light will become on and thus, drying duration of the selected program will extend, making your dishes drier. Additionally, Hygiene and Hygiene & Drying functions cannot be selected at the same time since they are incompatible with each other.

If you have used any extra function in the washing program that you last used, that function will be active in the next washing program. If you want to cancel that function for the newly selected program, press and hold the button of the relevant function since the corresponding lights go off, or press the On/Off button (4) to switch off the machine. If you want to use an extra function for the newly selected program, select the desired functions.

If you want to change the delay time, press the Start/Pause button first, and then press the Delay button to select the new delay time. Press Start/Pause button to activate the new delay time. To cancel the delay, press the Delay button until the delay time is 0h.

NOTE: If you switch off the machine after selecting the delay time and starting the program, the delay time will be cancelled.

NOTE: You can press the delay button (2) before the program starts to delay the program start time for 1 to 19 hours.

NOTE: Salt refill indicator (9) will become on if salt is missing/insufficient. In this case, please fill the salt compartment.

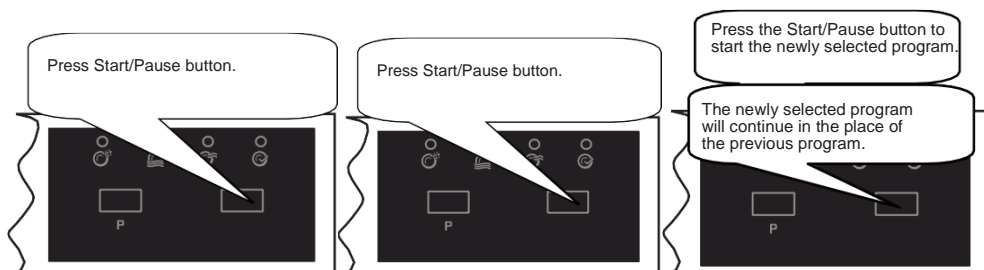
NOTE: Rinse aid refill indicator (9) will become on if rinse aid is missing/insufficient. In this case, please fill the rinse aid compartment.

Using the Child Lock

Press "Extra" and "Option" keys simultaneously for 3 seconds to activate Child Lock. At that time, on the remaining time indicator, "CL" is displayed for 2 seconds. To deactivate this function, again, press "Extra" and "Option" keys at the same time for 3 seconds. "CL" will flash twice.

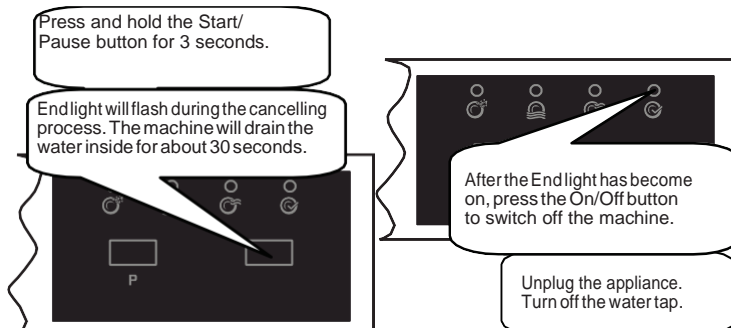
Changing a program

If you would like to change the program while washing is continuing.



Cancelling a program

If you would like to cancel a program while washing is continuing.



NOTE: Do not open the door before the program ends.

NOTE: At the end of washing program, you can leave the door of your machine open to fasten the drying.

NOTE: If the door of machine is opened or power is cut off during washing, program will continue when the door is closed or the power is back.

X. CLEANING AND MAINTENANCE

Cleaning your dishwasher is important to maintain the machine's service life.

Make sure that the water softening setting (If available) is done correctly and correct amount of detergent is used to prevent limescale accumulation. Refill the salt compartment when the salt sensor light comes on.

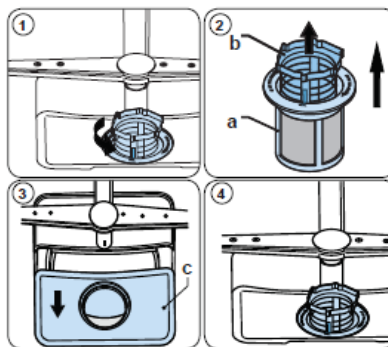
Oil and limescale may build up in your Dishwasher over time. If this occurs:

- Fill the detergent compartment but do not load any dishes. Select a programme which runs at high temperature and run the Dishwasher empty. If this does not clean your Dishwasher sufficiently, use a cleaning agent designed for use with dishwashers.
- To extend the life of your dishwasher, clean the appliance regularly on each month.
- Wipe the door seals regularly with a damp cloth to remove any accumulated residue or foreign objects.

Filters

Clean the filters and spray arms at least once a week. If any food waste remains or foreign objects on the coarse and fine filters, remove them and clean them thoroughly with water.

- Micro Filter
- Coarse Filter
- Metal Filter

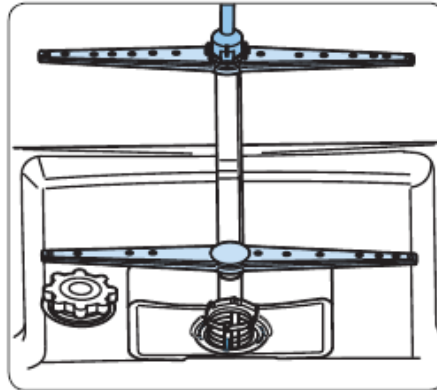


To remove and clean the filter combination, turn it counter clockwise and remove it by lifting it upwards (1). Pull the coarse filter out of the micro filter (2). Then pull and remove the metal filter (3). Rinse the filter with lots of water until it is free of residue. Reassemble the filters. Replace the filter insert, and rotate it clockwise (4).

- Never use your dishwasher without a filter.
- Incorrect fitting of the filter will reduce the washing effectiveness.
- Clean filters are necessary for proper running of the machine.

Spray arms

Make sure that the spray holes are not clogged and that no food waste or foreign object is stuck to the spray arms. If there is any clogging, remove the spray arms and clean them under water. To remove the upper spray arm undo the nut holding it in position by turning it clockwise and pulling it downwards. Make sure that the nut is properly tightened when refitting the upper spray arm.



Drain Pump

Large food residues or foreign objects which were not captured by the filters may block the waste water pump. The rinsing water will then be above the filter.

⚠ Warning Risk of cuts!

When cleaning the waste water pump, ensure that you do not injure yourself on pieces of broken glass or pointed implements.

In this case:

1. First always disconnect the appliance from the power supply.
2. Take out baskets.
3. Remove the filters.
4. Scoop out water, use a sponge if required.
5. Check the area and remove any foreign objects.
6. Install filters.
7. Re-insert baskets.

VIII. TROUBLESHOOTING

FAILURE CODES AND WHAT TO DO IN CASE OF FAILURE

ERROR CODE	ERROR DESCRIPTION	CONTROL
F5	Inadequate water supply	<ul style="list-style-type: none"> • Make sure the water input tap is totally open and that there is no water cut. • Close the water input tap, separate the water input hose from the tap and clean the filter at the connection end of the hose. • Restart your machine, contact the service if the error resumes.
F3	Error of continuous water input	<ul style="list-style-type: none"> • Close the tap. • Contact service.
F2	The waste water in the machine cannot be discharged.	<ul style="list-style-type: none"> • Water discharge hose is clogged. • The filters of your machine might be clogged. • Power off-on your machine and activate the program cancellation command. • If the error continues, contact the service.
F8	Heater error	<ul style="list-style-type: none"> • Contact service.
F1	Alarm is active against water overflow	<ul style="list-style-type: none"> • Power off your machine and close the tap. • Contact service.
FE	Faulty electronic card	<ul style="list-style-type: none"> • Contact service.
F7	Overheating error (temperature in the machine is too high)	<ul style="list-style-type: none"> • Contact service.
F9	Divisor position error	<ul style="list-style-type: none"> • Contact service.
F6	Faulty heater sensor	<ul style="list-style-type: none"> • Contact service.

If one of program monitor lights is on and start/Pause light is on and off

Your machine's door is open, shut the door.

If the programme won't start

- Check if the plug is connected.
- Check your indoor fuses.
- Be sure that the water inlet tap is turned on.
- Be sure that you have closed the machine door.
- Be sure that you switched off the machine by pressing the Power On / Off button.
- Be sure that the water inlet filter and the machine filters are not clogged.

If the lamps "Wash" and "End" keep flashing

- Water overflow alarm is active
- Turn off your tap and contact an authorised service.

If the control lamps won't go out after a wash operation

- The Power On/Off button is released yet.

If detergent residues are left in the detergent compartment

- Detergent has been added when the detergent compartment was wet.

If water is left inside the machine at the end of the programme

- The water drain hose is clogged or twisted.
- The filters are clogged.
- The programme is not finished yet.

If the machine stops during a wash operation

- Power failure.
- Water inlet failure.
- Program can be on standby mode.

If shaking and hitting noises are heard during a wash operation

- Dishes placed incorrectly.
- Spray arm hitting the dishes.

If there are partial food wastes left on the dishes

- Dishes placed incorrectly into the machine, sprayed water did not reach related places.
- Basket overly loaded.
- Dishes leaning against one another.
- Very small amount of detergent added.
- An unsuitable, rather weak wash programme selected.
- Spray arm clogged with food wastes.
- Filters clogged.
- Filters incorrectly fitted.
- Water drain pump clogged.

If there are whitish stains on the dishes

- A very small amount of detergent is being used.
- Rinse aid dosage setting at a very low level.
- No special salt is being used despite the high degree of water hardness.
- Water softener system setting is at a very low level.
- Salt compartment cap not closed well.

If the dishes won't dry up

- A programme without a dry operation selected.
- Rinse aid dosage set too low
- Dishes unloaded too fast.

If there are rust stains on the dishes

- Stainless-steel quality of the dishes washed is insufficient.
- High rate of salt in the wash water.
- Salt compartment cap not closed well.
- Too much salt spilt into the sides and into the machine while filling it with salt.
- Unhealthy mains grounding.

Door is not opened / closed properly ;

- Not proper weight wooden part inserted on the door. (Follow the weight given in the Assembly manuel)
- The tensile of the door spring not adjusted properly. Adjust it according to the Assembly manuel.

Call an authorised service if the problem still persists after the controls or in case of any malfunction not described above

IX. PRACTICAL INFORMATION

1. Whenever you will not be operating your machine
 - Unplug the machine and then turn the water off.
 - Leave the door slightly ajar in order to prevent the formation of unpleasant smells.
 - Keep the machine interior clean.
2. Eliminating water droplets
 - Wash the dishes with the intensive programme.
 - Take all of the metal containers in the machine out.
 - Do not add detergent.
3. If you properly place your dishes into the machine, you will be using it in the best way in terms of energy consumption, washing and drying performance.
4. Clean all rough waste before you place dirty dishes to the machine.
5. Operate the machine after it is completely full.
6. Use pre-washing program only when necessary.
7. Observe program information and average consumption values table when selecting a program.
8. Since the machine will reach high temperatures, it should not be mounted near refrigerator.
9. If the appliance is located in a place where the risk of freezing exists, you must completely drain the water that has remained in the machine. Turn off the water tap, disconnect the water inlet hose from the tap and allow the interior water to drain.

CUSTOMER CARE AND SERVICE

Always use original spare parts.

When contacting our Authorised Service Centre, ensure that you have the following data available: Model and Serial Number.

The information can be found on the rating plate. Subject to change without notice.

TECHNICAL DATA

The technical information is situated in the rating plate on the internal side of the appliance and on the energy label.

The QR code on the energy label supplied with the appliance provides a web link to the information related to the performance of the appliance in the EU EPREL database.

Keep the energy label for reference together with the user manual and all other documents provided with this appliance.

It is also possible to find the same information in EPREL using the link <https://eprel.ec.europa.eu> and the model name and product number that you find on the rating plate of the appliance.

To access information about your product in the EPREL portal, you can scan the codes below:

HDW-FS6006DGE++



HDW-FS6006DSE++



Thank you for purchasing this product. If you need support with your product, visit our website using the links below.

Get User manuals: <https://www.heinner.ro>

Get Service information: <https://www.heinner.ro>



Environment friendly disposal

You can help protect the environment!

Please remember to respect the local regulations: hand in the non-working electrical equipment's to an appropriate waste disposal center.



HEINNER is a registered trademark of **Network One Distribution SRL**. Other brands and product names are trademarks or registered trademarks of their respective holders.

No part of the specifications may be reproduced in any form or by any means or used to make any derivative such as translation, transformation, or adaptation without permission from NETWORK ONE DISTRIBUTION.

Copyright © 2013 Network One Distribution. All rights reserved.

www.heinner.com, <http://www.nod.ro>

<http://www.heinner.com>, <http://www.nod.ro>



This product is in conformity with norms and standards of European Community

Importer: **Network One Distribution**

Marcel Iancu Street, 3-5, Bucharest, Romania

Tel: +40 21 211 18 56, www.heinner.com , www.nod.ro

HEINNER

MAȘINĂ DE SPĂLAT VASE
HDW-FS6006DGE++/HDW-FS6006DSE++



- Mașină de spălat vase
- Număr de seturi: 12
- Număr de programe: 6
- Clasa de eficiență energetică: E

Vă mulțumim pentru achiziționarea acestui produs!

I. INTRODUCERE

Înainte de a utiliza acest aparat, citiți cu atenție manualul de instrucțiuni. Păstrați manualul pentru consultări ulterioare.

Acest manual este conceput pentru a vă oferi toate instrucțiunile necesare referitoare la instalarea, utilizarea și întreținerea aparatului.

Pentru utilizarea corectă și în siguranță a aparatului, vă rugăm să citiți cu atenție acest manual de instrucțiuni înainte de instalare și utilizare.

II. CONȚINUTUL PACHETULUI DUMNEAVOASTRĂ



- **Mașină de spălat vase**
- **Manual de utilizare**
- **Certificat de garanție**

IV. INSTRUCȚIUNI PRIVIND SIGURANȚA

Informații privind siguranța

După ce mașina vă este livrată

- Asigurați-vă că mașina și/sau ambalajul acesteia nu prezintă deteriorări. Nu porniți mașina dacă aceasta este deteriorată în orice fel. În acest caz, contactați serviciul de asistență tehnică.
- Îndepărtați ambalajele conform indicațiilor și eliminați-le în conformitate cu reglementările aplicabile.

Recomandări privind instalarea mașinii

- Alegeți un loc potrivit, sigur și stabil pentru a instala mașina.
- Efectuați instalarea și realizați racordurile necesare funcționării mașinii în conformitate cu instrucțiunile.
- Această mașină trebuie să fie instalată numai de către un reprezentant de service sau de persoane cu calificări similare.
- Utilizați numai piese de schimb originale.
- Înainte de instalare, asigurați-vă că mașina este deconectată de la sursa de alimentare cu energie electrică.
- Asigurați-vă că instalația electrică este racordată în conformitate cu reglementările privind siguranța.
- Toate conexiunile electrice trebuie să corespundă valorilor indicate pe plăcuța cu date tehnice.
- Asigurați-vă că mașina nu este așezată pe cablul de alimentare.
- Nu utilizați cabluri prelungitoare sau prize multiple. După instalarea mașinii, ștecărul trebuie să fie ușor accesibil.
- După instalarea mașinii, primul ciclu de funcționare a mașinii trebuie să se desfășoare fără încărcătură.

Avertismente privind utilizarea

- Această mașină este destinată exclusiv uzului casnic și nu trebuie utilizată în alte scopuri. Utilizarea în scopuri comerciale va duce la anularea garanției.
- Nu vă așezați și nu puneți obiecte pe ușa deschisă a mașinii de spălat.
- Utilizați numai detergenți și agenți de clătire special concepuți pentru mașini de spălat vase. Compania noastră nu poartă răspunderea pentru nicio deteriorare care poate interveni ca urmare a utilizării necorespunzătoare.
- Apa din compartimentul de spălare al mașinii nu este potabilă.
- Pentru evitarea pericolului de explozie, nu puneți agenți de dizolvare în compartimentul de spălare al mașinii.
- Asigurați-vă că obiectele din material plastic sunt rezistente la căldură înainte de a le introduce în mașină.
- Aparatul poate fi utilizat de către copii cu vârste începând de la 8 ani și de către persoane cu capacități fizice, senzoriale sau mentale reduse, cu lipsă de experiență sau cunoștințe, numai dacă acestea sunt supravegheate sau instruite în ceea ce privește utilizarea în siguranță a aparatului și dacă înțeleg pericolele pe care le implică utilizarea. Copiii nu au voie să se joace cu aparatul. Curățarea și întreținerea nu trebuie realizate de către copii nesupravegheați.
- Nu puneți în mașină obiecte care nu sunt potrivite pentru spălare în mașina de spălat vase. Nu supraîncărcați coșurile mașinii. Compania noastră nu își asumă răspunderea pentru zgârieturile sau rugina produse în interiorul mașinii de spălat vase ca urmare a deplasării coșurilor.
- Nu deschideți ușa mașinii în timpul funcționării, deoarece apa fierbinte se poate scurge. Mașina este prevăzută cu un sistem de siguranță care oprește funcționarea în momentul deschiderii ușii.
- Nu lăsați deschisă ușa mașinii. În caz contrar, pot interveni accidente.
- Puneți cuțitele și alte obiecte ascuțite în coșul pentru tacâmuri, cu lama în jos.
- Pentru evitarea pericolelor, în cazul în care cablul de alimentare este deteriorat, acesta trebuie înlocuit de către producător, de către agentul său de service sau de persoane cu o calificare similară.

- Aparatul nu este destinat utilizării de către persoane (inclusiv copii) care au capacități fizice, senzoriale sau mentale reduse, sau cărora le lipsesc experiența și cunoștințele necesare, decât dacă sunt supravegheate sau au fost instruite cu privire la utilizarea aparatului de către o persoană care răspunde pentru siguranța acestora.
- În cazul modelelor dotate cu sistem automat de deschidere a ușii, dacă funcția EnergySave este activă, ușa se va deschide la finalizarea programului. După deschiderea ușii, așteptați timp de un minut înainte de a încerca să închideți ușa, pentru a nu deteriora sistemul automat de deschidere a ușii. Ușa trebuie lăsată deschisă timp de 30 de minute, pentru a se asigura o uscare eficientă (în cazul modelelor prevăzute cu sistem automat de deschidere a ușii).

Avertisment: Nu stați în fața ușii după ce auziți semnalul sonor care indică deschiderea automată a ușii.

Pentru siguranța copiilor

- După îndepărtarea ambalajelor mașinii de spălat, asigurați-vă că acestea nu sunt lăsate la îndemâna copiilor.
- Nu permiteți copiilor să se joace cu mașina sau să o pornească.
- Nu lăsați copiii să se apropie de detergenți și agenți de clătire.
- Nu permiteți copiilor să se apropie de mașină atunci când ușa acesteia este deschisă, deoarece în interior pot rămâne resturi de substanțe de curățare.
- După ce nu mai folosiți mașina, asigurați-vă că aceasta nu reprezintă un pericol pentru copii. Au existat cazuri în care copiii au rămas blocați în interiorul mașinilor. Pentru a preveni o astfel de situație, spargeți sistemul de închidere a ușii mașinii și rupeți cablurile electrice.

În cazul problemelor de funcționare

- Orice problemă de funcționare a mașinii trebuie remediată numai de către persoane calificate. Orice reparație efectuată de către alte persoane decât cele aparținând personalului unui service autorizat va duce la anularea garanției.
- Înainte de efectuarea oricăror lucrări de reparații, asigurați-vă că mașina este deconectată de la sursa de alimentare cu energie electrică. Deconectați siguranța electrică a circuitului de alimentare sau scoateți din priză ștecărul mașinii. Atunci când deconectați ștecărul de la sursa de alimentare, nu trageți de cablu. Asigurați-vă că robinetul de apă este închis.

Recomandări

- Pentru economisi energie și apă, îndepărtați resturile de mâncare de pe vase înainte de a le introduce în mașină. Porniți mașina după ce o încărcați complet.
- Utilizați programul de prespălare numai atunci când este necesar.
- Poziționați vasele precum bolurile, paharele și oalele în mașină astfel încât acestea să fie cu gura în jos.
- Vă recomandăm să nu puneți în mașină prea multe vase sau vase diferite de cele indicate în acest manual de instrucțiuni.

Obiecte care nu sunt potrivite pentru spălare în mașina de spălat vase:

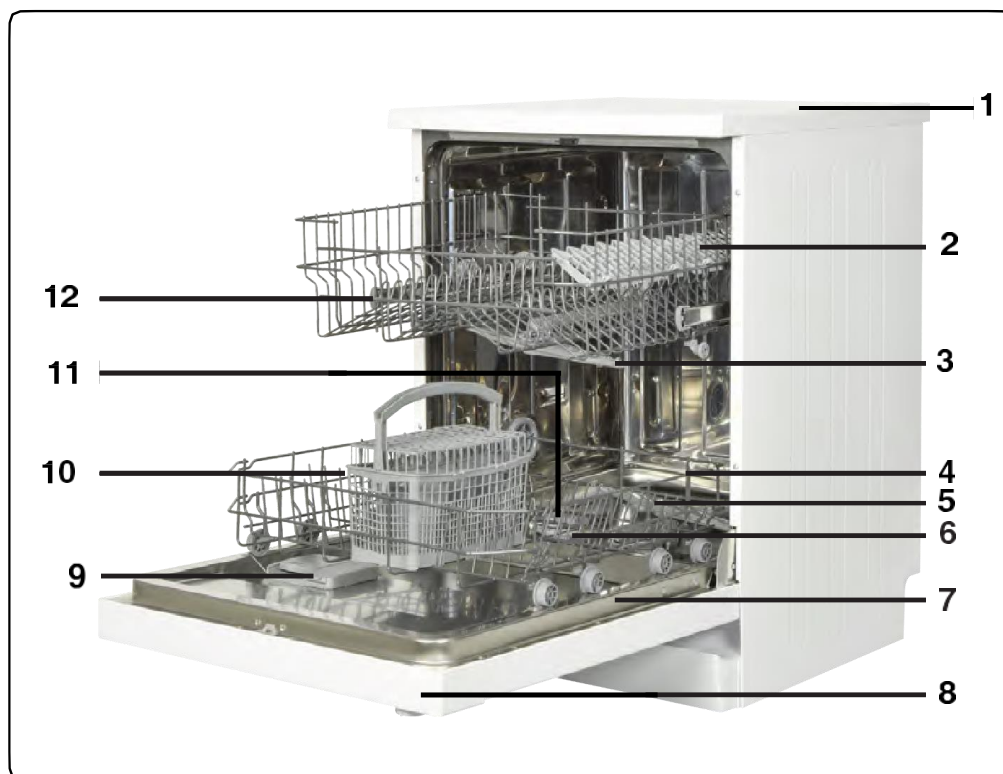
- Vase cu urme de țigară, ceară, lac, vopsea, substanțe chimice sau obiecte din aliaje pe bază de fier;
- Furculițe, linguri și cuțite cu mâner din lemn, os sau fildeș; obiecte lipite, obiecte pătate cu substanțe chimice abrazive, acide sau bazice.
- Obiecte din material plastic care nu sunt termorezistente, recipiente din cupru sau acoperite cu cositor.
- Obiecte din aluminiu și argint (se pot decolora sau deteriora).
- Anumite tipuri de sticlă sensibilă, porțelanuri cu modele ornamentale, deoarece acestea se decolorează chiar și după prima spălare; anumite obiecte din cristal, deoarece acestea își pierd în timp transparența, tacâmurile care nu sunt termorezistente, pahare de cristal, tocătoare, obiecte care au în compoziție fibre sintetice.
- Obiecte absorbante precum bureții sau lavetele de bucătărie nu sunt potrivite pentru spălare în mașina de spălat vase.

Avertisment: Utilizați numai vase rezistente la spălare în mașina de spălat vase.

Reciclare

- Anumite componente ale mașinii și ambalajul sunt fabricate din materiale reciclabile.
- Componentele din plastic sunt marcate cu abrevieri internaționale: (>PE< , >PS< , >POM< , >PP< ,)
- Componentele din carton sunt fabricate din hârtie reciclată, putând fi depozitate în containere pentru colectarea hârtiei în vederea reciclării.
- Aceste materiale nu trebuie aruncate împreună cu deșeurile menajere, ci trebuie predate la centrele de reciclare.
- Contactați centrele de reciclare pentru a obține informații privind metodele și punctele de colectare.

IV. DESCRIEREA PRODUSULUI



1. Blat
2. Coș superior cu rafturi
3. Braț de pulverizare superior
4. Coș inferior
5. Braț de pulverizare inferior
6. Filtre
7. Plăcuță cu date tehnice
8. Panou de comandă
9. Dozator pentru detergent și agent de clătire
10. Coș pentru tacâmuri
11. Compartiment pentru sare
12. Șină coș superior
13. **Sistem de uscare activă:** Acest sistem permite o uscare mai eficientă a vaselor.

Caracteristici tehnice

Capacitate	12 seturi de vase
Înălțime	850 mm
Înălțime (fără blat)	820 mm
Lățime	598 mm
Adâncime	598 mm
Greutate netă	41,5 kg
Alimentare	220-240 V, 50 Hz
Putere totală	1900 W
Putere de încălzire	1800 W
Puterea pompei	100 W
Puterea pompei de evacuare	30 W
Presiune de alimentare cu apă	0,03 MPa (0,3 bari) - 1 MPa (10 bari)
Curent	10 A

V. INSTALARE

Poziționarea mașinii

Atunci când poziționați mașina, alegeți un loc accesibil, astfel încât să puteți introduce vasele în mașină cu ușurință.

Nu amplasați mașina în spații unde este posibil ca temperatura camerei să scadă sub 0 °C.

Înainte de îndepărtarea ambalajului și poziționarea mașinii, citiți toate instrucțiunile de pe ambalaj.

Amplasați mașina aproape de un robinet de apă și de o scurgere. Luați în calcul faptul că racordurile nu vor fi modificate după ce poziționați mașina.

Nu deplasați mașina ținând-o de ușă sau de panoul de comandă.

Lăsați un spațiu suficient în jurul mașinii, pentru a o putea deplasa cu ușurință atunci când doriți să o curățați.

Asigurați-vă că furtunul de alimentare cu apă și cel de evacuare nu sunt obstrucționate și că mașina nu este așezată pe cablul electric.

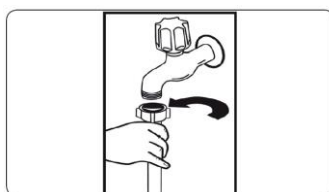
Reglați picioarele mașinii, astfel încât aceasta să fie stabilă și echilibrată. Poziționarea corectă a mașinii asigură deschiderea și închiderea ușii fără probleme.

Dacă ușa mașinii nu se închide bine, verificați dacă mașina este stabilă pe podea; în caz contrar, reglați picioarele și asigurați astfel poziția stabilă a mașinii.

Racordarea la sursa de apă

Asigurați-vă că instalația de apă este potrivită pentru montarea unei mașini de spălat vase. Vă recomandăm să instalați un filtru între sursa de alimentare cu apă și mașină, pentru a evita deteriorarea mașinii din cauza impurităților (nisip, rugină etc.) provenite din țevile instalației. De asemenea, instalarea unui filtru previne îngălbenirea și formarea depunerilor de calcar după spălare.

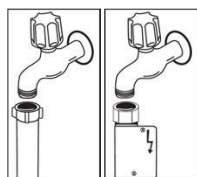
Furtunul de alimentare cu apă



Nu utilizați un furtun vechi. Utilizați furtunul de alimentare cu apă furnizat împreună cu mașina. În cazul racordării la mașină a unui furtun nou sau neutilizat, lăsați să curgă apă un timp prin acesta înainte de a face racordul. Conectați furtunul de alimentare cu apă direct la robinet. Presiunea apei furnizate de robinet trebuie să fie de minimum 0,03 Mpa și de maximum 1 Mpa. Dacă presiunea apei depășește 1 Mpa, trebuie montată între furtun și robinet o supapă de reducere a presiunii.

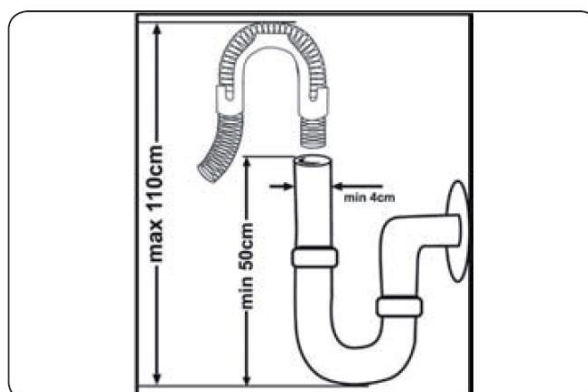
După realizarea racordurilor, deschideți complet robinetul și verificați dacă există scurgeri de apă. Pentru siguranța funcționării mașinii dumneavoastră, închideți robinetul de apă după fiecare finalizare a unui program de spălare.

Atenție la inscripția de pe furtunul de alimentare cu apă! Dacă modelul este marcat cu 25°, temperatura apei poate fi de maximum 25°C. Pentru alte modele, se preferă apa rece; temperatura maximă a apei calde 60°C.



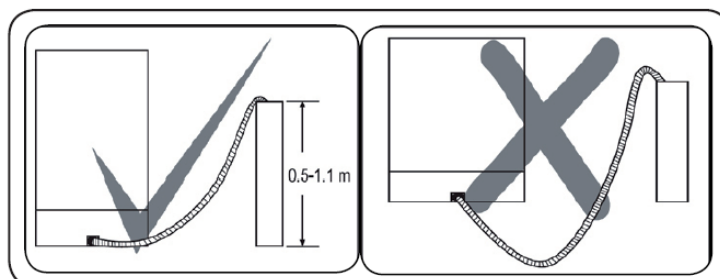
NOTĂ: Modelul dumneavoastră este echipat cu dispozitiv de siguranță Aquastop. Nu deteriorați acest dispozitiv și nu permiteți îndoirea sau răsucirea acestuia.

Furtunul de evacuare a apei



Furtunul de evacuare a apei poate fi racordat direct la scurgere sau la conducta de scurgere a chiuvetei. Folosind un racord curbat (dacă este disponibil), apa poate fi evacuată direct în sistemul de evacuare al chiuvetei, cuplând racordul la scurgere. Acest racord trebuie să fie la o distanță de cel puțin 50 de cm și cel mult 110 cm de la nivelul podelei.

Avertisment: Dacă utilizați un furtun de evacuare cu o lungime de peste 4 metri, este posibil ca vasele să nu fie spălate corespunzător. Compania noastră nu își asumă nicio răspundere pentru astfel de situații.



Conectarea la rețeaua electrică

Ștecărul prevăzut cu împământare al mașinii trebuie să fie conectat la o priză cu împământare corespunzătoare. În cazul în care împământarea nu este disponibilă, contactați un electrician calificat în vederea realizării unei instalații de împământare. În cazul utilizării fără împământare, nu ne asumăm răspunderea pentru pierderile suferite.

Valoarea curentului siguranței electrice trebuie să fie de 10-16 A.

Mașina dumneavoastră este concepută să funcționeze la 220-240 V. Dacă tensiunea din locul de instalare este de 110 V, este necesară conectarea unui transformator de la 110 V la 220 V, 3000 W. În timpul poziționării mașinii, ștecărul trebuie să fie deconectat de la sursa de alimentare.

Utilizați numai ștecărul izolat furnizat împreună cu mașina dumneavoastră. Funcționarea la tensiune redusă duce la scăderea nivelurilor de eficiență. În cazul în care cablul electric prezintă deteriorări, acesta trebuie înlocuit de către un electrician calificat. În caz contrar, pot interveni accidente.

Pentru siguranță, deconectați ștecărul de la sursa de alimentare după finalizarea programului.

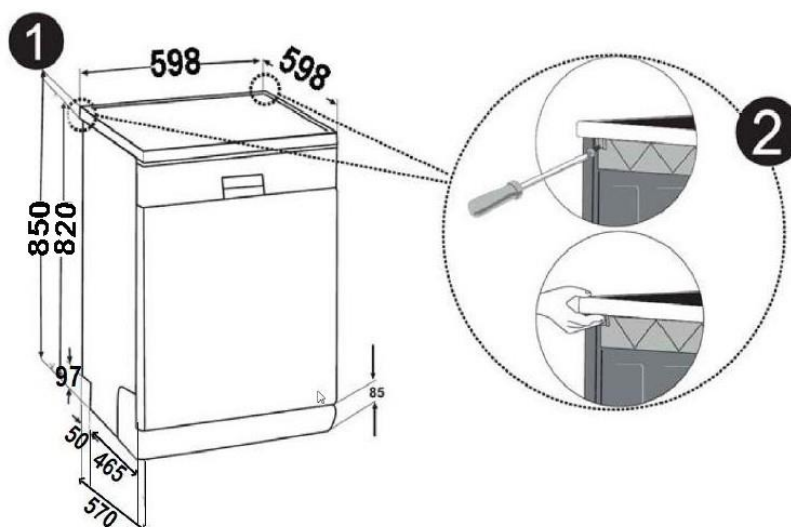
Pentru evitarea electrocutării, nu scoateți ștecărul din priză cu mâinile ude.

Pentru a deconecta mașina de la sursa de alimentare, nu trageți de cablu, ci de ștecăr.

Conectați produsul la o priză împământată, protejată cu o siguranță conformă cu valorile din tabelul „Specificații tehnice”.

Poziționarea mașinii sub blatul de bucătărie

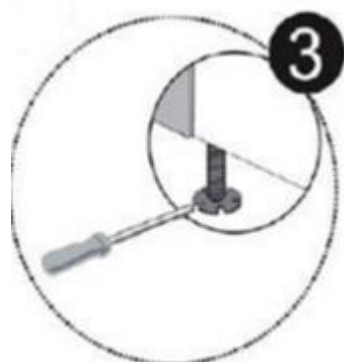
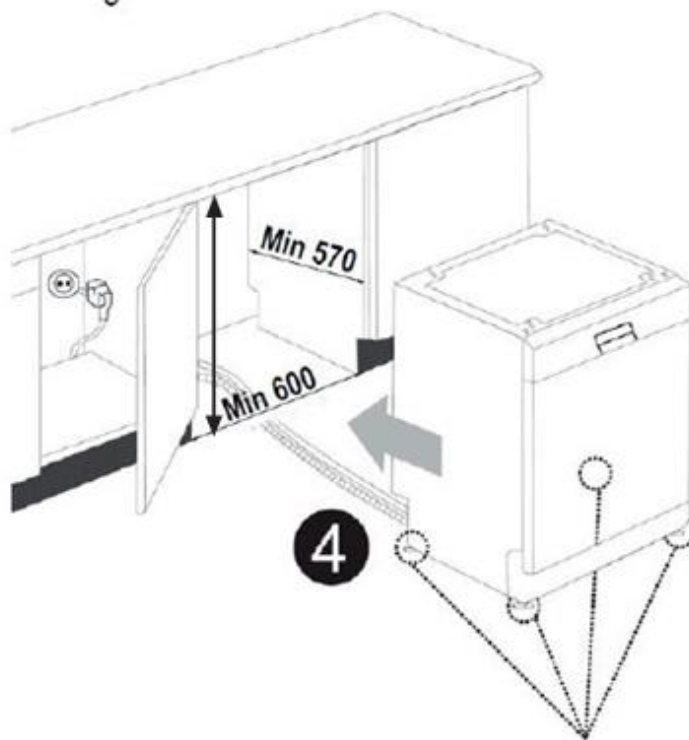
Dacă doriți să poziționați mașina sub blatul de bucătărie, asigurați-vă dispuneți de un spațiu suficient și că instalația de apă și conexiunile electrice permit acest lucru (1). Dacă spațiul de sub blatul de bucătărie este potrivit pentru instalarea mașinii, scoateți blatul cu care este prevăzută mașina, așa cum este indicat în ilustrația 2.



Avertisment: Secțiunea sub care mașina va fi montată după îndepărtarea blatului acesteia trebuie să fie stabilă, astfel încât să nu permită dezechilibrarea mașinii.

Pentru a demonta blatul cu care este prevăzută mașina, scoateți șuruburile care îl fixează în partea din spate a mașinii; apoi împingeți panoul frontal 1 cm către spatele mașinii și ridicați-l.

Reglați picioarele mașinii în funcție de înclinația podelei (3). Poziționați mașina prin împingerea acesteia sub blatul de bucătărie, asigurându-vă că furtunurile nu sunt strivite sau îndoite (4).



<i>Produs</i>				
	Fără izolație		Cu izolație	
	Toate produsele	Pentru al 2-lea coș	Pentru al 3-lea coș	
Înălțime	820 mm	830 mm	835 mm	

Avertisment: După îndepărtarea blatului cu care este prevăzută mașina, aceasta trebuie poziționată într-un spațiu care să aibă dimensiunile indicate în ilustrație.

VI. ÎNAINTE DE UTILIZAREA APARATULUI

Pregătirea mașinii de spălat vase pentru prima utilizare

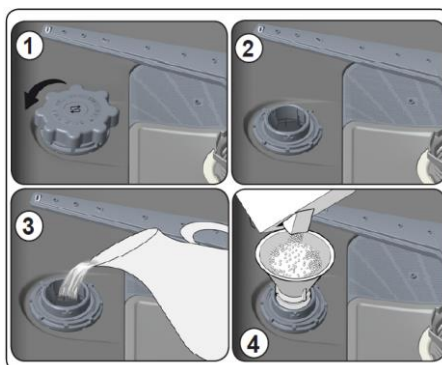
- Asigurați-vă că specificațiile instalației de alimentare cu apă și ale instalației electrice corespund valorilor indicate în cadrul instrucțiunilor privind instalarea mașinii.
- Îndepărtați toate ambalajele din interiorul mașinii.
- Setați nivelul agentului de dedurizare a apei.
- Puneți 1 kg de sare în compartimentul pentru sare și umpleți-l cu apă.
- Umpleți compartimentul pentru agent de clătire.

Importanța dedurizării apei

Mașina de spălat vase funcționează în parametri optimi cu apă dedurizată. În caz contrar, pot rămâne reziduuri de calcar pe vase și pe componentele din interiorul mașinii. Acest lucru va afecta în mod negativ performanțele de spălare și clătire ale mașinii. Atunci când apa trece prin sistemul de dedurizare, ionii care formează duritatea apei sunt îndepărtați din apă, aceasta atingând calitatea necesară pentru o spălare optimă. În funcție de duritatea apei, acești ioni se acumulează rapid în interiorul sistemului de dedurizare a apei. Prin urmare, sistemul de dedurizare trebuie menținut funcțional, pentru a se asigura același nivel de performanță și la următoarele spălări. În acest scop, se utilizează sare de dedurizare specială pentru mașini de spălat vase.

Umplerea compartimentului pentru sare (pâlnia nu este livrată împreună cu produsul)

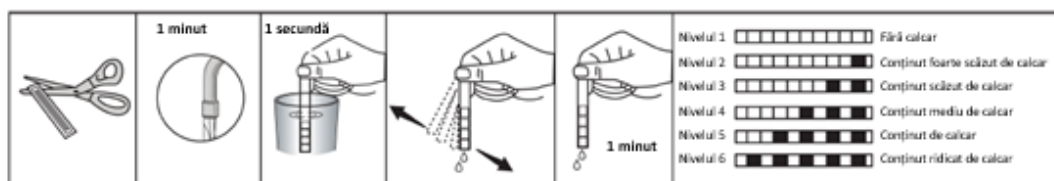
Utilizați sare de dedurizare specială pentru mașini de spălat vase. Pentru a pune sare de dedurizare, scoateți mai întâi coșul inferior, apoi desfaceți capacul compartimentului pentru sare prin rotire în sens contrar acelor de ceasornic. La prima utilizare, umpleți complet compartimentul cu 1 kg de sare și apă. Utilizarea unei pâlnii ușurează umplerea compartimentului (**pâlnia nu este livrată împreună cu produsul**). Puneți capacul la loc și închideți-l. Atunci când indicatorul de avertizare privind lipsa sării se aprinde (la fiecare 20-30 de cicluri de spălare, în funcție de duritatea apei), adăugați sare în compartiment până la umplerea acestuia (aproximativ 1 kg). Puneți apă în compartiment pentru sare numai la prima utilizare. Vă recomandăm să folosiți sare de dedurizare fină sau sub formă de pudră. Nu puneți sare de masă în mașină. În caz contrar, eficiența compartimentului pentru sare de dedurizare poate scădea în timp. La pornirea mașinii de spălat vase, compartimentul pentru sare se umple cu apă. Prin urmare, este necesar să puneți sarea de dedurizare în compartiment înainte de pornirea mașinii. Astfel, sarea care dă pe afară este îndepărtată imediat prin procesul de spălare. Dacă sarea de dedurizare dă pe afară și nu intenționați să porniți mașina imediat, porniți un program de spălare scurt fără vase, pentru a proteja mașina împotriva coroziunii.



Banda de testare (nu este livrată împreună cu produsul)

Eficiența mașinii de spălat depinde de duritatea apei de la robinet. Mașina de spălat vase este echipată cu un sistem de dedurizare a apei provenite de la robinet. Eficiența spălării va crește dacă sistemul este setat corect. Pentru a afla nivelul de duritate a apei de la robinet, contactați compania de apă din zona dumneavoastră sau utilizați o bandă de testare (nu este livrată împreună cu produsul).

Scoateți banda de testare din ambalaj	Lăsați apa să curgă la robinet timp de 1 minut.	Țineți banda de testare în apă timp de 1 secundă.	Scuturați banda de testare după ce o scoateți din apă.	Așteptați timp de 1 minut.	Efectuați reglajele privind duritatea apei în funcție de rezultatele obținute cu ajutorul benzii de testare.
---------------------------------------	---	---	--	----------------------------	--

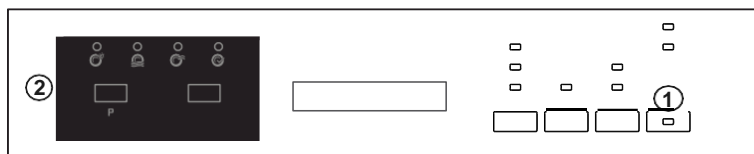


Reglarea consumului de sare

Nivelul de duritate a apei.	Nivel de duritate german dH	Nivel de duritate francez dF	Nivel de duritate britanic dE	Indicație nivel duritate
1	0-5	0-9	0-6	Afișajul indică L1.
2	6-11	10-20	7-14	Afișajul indică L2.
3	12-17	21-30	15-21	Afișajul indică L3.
4	18-22	31-40	22-28	Afișajul indică L4.
5	23-31	41-55	29-39	Afișajul indică L5.
6	32-50	56-90	40-63	Afișajul indică L6.

Efectuați reglajele privind duritatea apei în funcție de nivelul indicat de banda de testare.

NOTĂ: Nivelul de duritate este setat din fabrică la valoarea 3.



Atunci când mașina este oprită, apăsați pe butonul de selectare a programelor (2).

Porniți mașina prin apăsarea butonului de Pornire/Oprire (1) și mențineți apăsat butonul de selectare a programelor (2) timp de cel puțin 3 secunde.

Dacă setarea nivelului duriții apei este recunoscută, „SL” este afisat pentru 2 secunde.

Eliberați butonul de selectare a programelor (2). Afișajul indică ultimul nivel setat.

Apăsați pe butonul de selectare a programelor (2) pentru a seta nivelul dorit. La fiecare apăsare a butonului de selectare a programelor, nivelul de duritate este crescut. Nivelul de duritate 1 urmează după nivelul de duritate 6.

Ultimul nivel de duritate selectat este memorat la oprirea mașinii prin apăsarea butonului de pornire/oprire (1).

AVERTISMENT: În cazul schimbării locului de utilizare a mașinii, pentru o eficiență ridicată a spălării, este important să configurați setările privind duritatea apei în funcție de noua zonă de utilizare a mașinii.

Utilizarea detergentului

Utilizați numai detergenți speciali pentru mașini de spălat vase.

Puteți găsi în comerț detergenți sub forma de pudră, gel și tablete pentru mașini de spălat vase.

Detergentul trebuie pus în compartiment înainte de a porni mașina. Păstrați detergenții într-un loc răcoros și uscat, la care copiii să nu aibă acces.

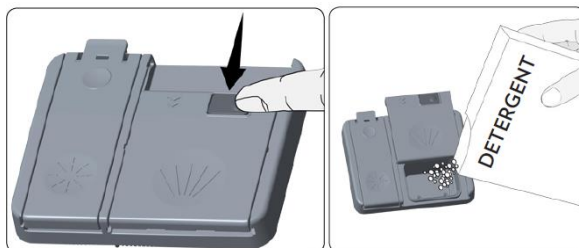
Nu puneți în compartiment mai mult detergent decât este necesar; în caz contrar, paharele pot fi zgâriate, iar detergentul nu se va dizolva corespunzător.

Pentru informații suplimentare privind detergentul, consultați instrucțiunile furnizate de producătorul detergentului.

Alimentarea compartimentului pentru detergent

Apăsați pe sistemul de blocare pentru a deschide compartimentul așa cum este indicat în imagine. Compartimentul este prevăzut cu gradații în interior. Puteți măsura cantitatea corectă de detergent cu ajutorul acestor gradații. Compartimentul pentru detergent are o capacitate maximă de 40 cm³. Deschideți cutia cu detergent și puneți în compartimentul mai mare 25 cm³ dacă vasele sunt foarte murdare sau 15 cm³ dacă nu sunt foarte murdare. Dacă vasele au stat murdare mai mult timp, dacă prezintă resturi de alimente uscate și dacă ați încărcat mult mașina, puneți 5 cm³ detergent în compartimentul pentru detergent de prespălare și porniți mașina.

Poate fi necesar să adăugați mai mult detergent, în funcție de gradul de murdărire și de nivelul duriții apei.



Utilizarea detergenților combinați

Producătorii de detergenți fabrică și detergenți combinați denumiți „2 în 1”, „3 în 1”, „5 în 1” etc.

Detergenții „2 în 1” conțin detergent + sare sau agent de clătire. Atunci când utilizați detergenți 2 în 1, verificați caracteristicile acestora.

Unii detergenți conțin detergent + agent de clătire + sare + alte substanțe.

În general, detergenții combinați asigură rezultate eficiente numai în anumite condiții de utilizare. Acești detergenți conțin agent de clătire și/sau sare în cantități prestabilite.

Recomandări privind utilizarea acestui tip de produse:

- Asigurați-vă că verificați caracteristicile produsului pe care urmează să îl utilizați și dacă acesta face sau nu parte din categoria produselor combinate.
- Asigurați-vă că detergentul utilizat este adecvat pentru duritatea apei din zona în care locuiți.
- Citiți cu atenție instrucțiunile de pe ambalaje în cazul utilizării acestor produse.
- Dacă acești detergenți sunt sub formă de tablete, nu îi puneți în interiorul coșului pentru tacâmuri al mașinii de spălat vase. Puneți întotdeauna tabletele în compartimentul pentru detergent al dozatorului de detergent.
- Acest tip de produse asigură rezultate bune numai în cazul anumitor utilizări. În cazul în care utilizați acest tip de detergenți, este necesar să apelați la asistență din partea producătorilor, pentru obținerea de informații privind utilizarea corespunzătoare.
- Atunci când condițiile de utilizare a acestor produse și setările mașinii sunt cele corespunzătoare, veți economisi sare de dedurizare și/sau agent de clătire.
- Contactați producătorii de detergenți în cazul în care rezultatele spălării nu sunt satisfăcătoare (dacă vasele rămân ude și prezintă urme de calcar) în urma utilizării detergenților „2 în 1” sau „3 în 1”. Garanția pentru mașina dumneavoastră nu este aplicabilă reclamațiilor apărute în urma utilizării acestor tipuri de detergenți.

Recomandări privind utilizarea: Dacă doriți să obțineți rezultate mai bune atunci când utilizați detergenți combinați, puneți sare și agent de clătire în compartimentele corespunzătoare ale mașinii și setați nivelul de duritate a apei și nivelul agentului de clătire la cele mai scăzute valori. Solubilitatea detergenților sub formă de tablete produși de diferite companii poate varia în funcție de temperatură și de durata de utilizare. Prin urmare, utilizarea acestor detergenți în cadrul programelor scurte nu este recomandată. În cadrul acestor programe, este mai potrivită utilizarea detergenților sub formă de pudră.

Avertisment: Dacă întâmpinați probleme atunci când utilizați aceste tipuri de detergenți, contactați direct producătorii de detergenți.

În cazul întreruperii utilizării detergenților combinați:

- Umpleți compartimentul pentru sare de dedurizare și compartimentul pentru agent de clătire.
- Setați nivelul de duritate a apei la valoarea cea mai ridicată (6) și porniți un ciclu de funcționare fără vase.
- Setați nivelul de duritate a apei.
- Setați nivelul agentului de clătire.

Umplerea compartimentului pentru agent de clătire și setarea

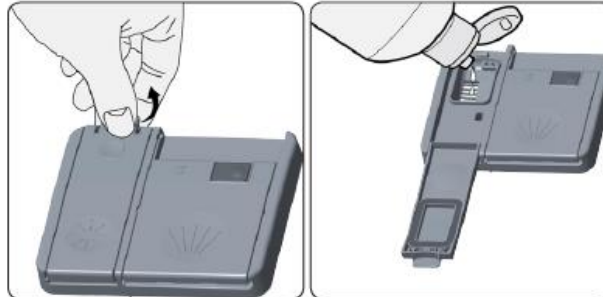
Pentru umplerea compartimentului pentru agent de clătire, deschideți capacul compartimentului. Umpleți compartimentul cu agent de clătire până la nivelul MAX, apoi închideți capacul. Aveți grijă să nu umpleți excesiv compartimentul pentru agent de clătire și să îndepărtați eventualele scurgeri.

Pentru a modifica nivelul agentului de clătire, urmați pașii de mai jos înainte de pornirea mașinii.

- Apăsați și mențineți apăsat butonul de programare.
- Porniți mașina.
- Mențineți apăsat butonul de programare până când indicația „rA” dispăre de pe afișaj. Setarea pentru agentul de clătire urmează după setarea durității apei.
- Mașina va afișa setarea curentă.
- Modificați nivelul apăsând pe butonul de programare.
- Pentru memorarea setării, opriți mașina.

Setarea stabilită în fabrică este „4”.

Dacă vasele nu se usucă bine sau prezintă pete, creșteți nivelul. Dacă pe vase apar pete albastre, reduceți nivelul.



Nivel	Doză de agent de clătire	Indicație
1	Nu se eliberează agent de clătire	Afișajul indică r1.
2	Se eliberează 1 doză	Afișajul indică r2.
3	Se eliberează 2 doze	Afișajul indică r3.
4	Se eliberează 3 doze	Afișajul indică r4.
5	Se eliberează 4 doze	Afișajul indică r5.

VII. ÎNCĂRCAREA COȘURILOR MAȘINII DE SPĂLAT VASE

Dacă vasele sunt puse în mașină în mod corespunzător, obțineți un consum de energie redus și eficientizarea spălării și uscării.

Mașina este prevăzută cu două coșuri separate în care puteți pune vasele. În coșul inferior, puteți pune vase rotunde și adânci cum ar fi oale cu coada lungă, capace de oale, farfurii pentru salate, tacâmuri.

Coșul superior a fost conceput pentru farfurii pentru ceai, farfurii pentru deserturi, boluri pentru salate, căni și pahare. Paharele sau cupele cu picior înalt trebuie sprijinite de marginea coșului sau de suportul pentru pahare, nu de alte obiecte. Nu sprijiniți paharele lungi unele de altele, deoarece acestea nu vor avea stabilitate și există riscul de a le deteriora.

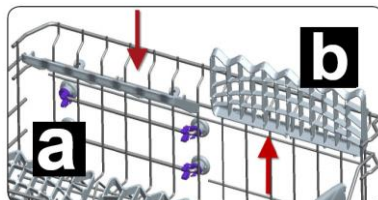
Vă recomandăm să puneți obiectele de mici dimensiuni în partea centrală a coșurilor. Puteți pune lingurile printre celelalte tacâmuri, pentru a preveni lipirea acestora unele de celelalte. Recomandăm utilizarea raftului pentru tacâmuri în vederea obținerii unor rezultate optime ale spălării.

Pentru a evita posibile răniri, puneți întotdeauna obiectele cu mâner lung și vârful ascuțite, cum ar fi furculițele de servire sau cuțitele de pâine etc. cu vârful sau muchiile ascuțite orientate în jos sau orizontal pe coșuri.

Avertisment: Puneți vasele în mașină astfel încât acestea să nu blocheze rotirea brațului de pulverizare superior și a celui inferior.

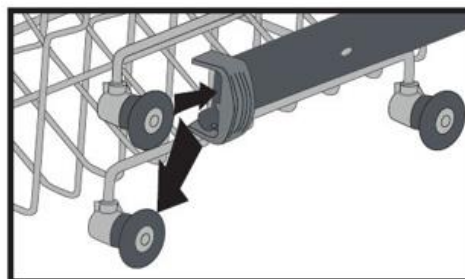
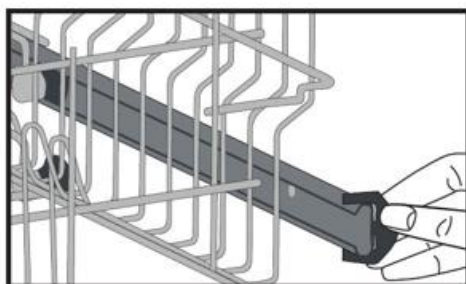
Rafturile

Coșul superior al mașinii dumneavoastră este prevăzut cu rafturi (a, b). Aceste rafturi pot fi deschise sau închise. Atunci când rafturile sunt deschise (a), puteți pune cești pe acestea; când rafturile sunt închise (b) puteți pune pe coș pahare lungi. De asemenea, puteți utiliza rafturile pentru a pune pe acestea furculițe, cuțite și linguri lungi, pe lateral.

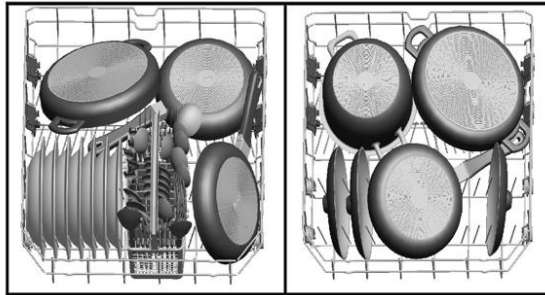


Reglarea înălțimii coșului superior

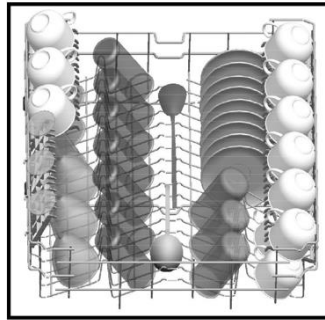
Acest coș este așezat din fabrică în poziția superioară. Atunci când coșul superior se află în această poziție, puteți pune vase mari în coșul inferior. Dacă puneți coșul superior în poziția inferioară, puteți pune și spăla vase mari în acest coș. Utilizați roțile pentru a modifica înălțimea coșului. Deschideți către laterale clemele de la capetele șinelor, apoi scoateți coșul superior. Schimbați poziția roților, apoi montați coșul pe șine, asigurându-vă că închideți clemele. Astfel, coșul superior poate fi pus în poziția inferioară.



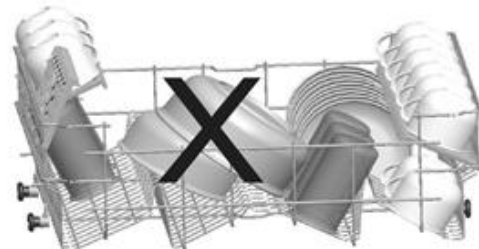
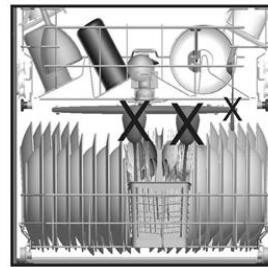
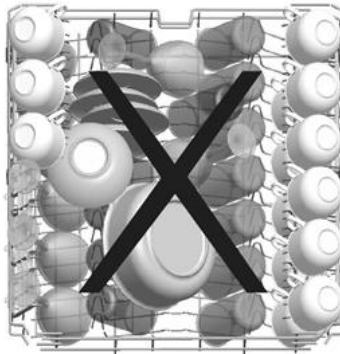
Așezarea vaselor în coșuri
Coșul inferior



Coșul superior



Exemple de așezare incorectă



IMPORTANT: Utilizați numai vase rezistente la spălare în mașina de spălat vase. Încărcarea incorectă poate cauza performanțe slabe de spălare și uscare. Vă rugăm să urmați recomandările producătorului pentru un rezultat bun al performanței.

VIII. TABEL DE PROGRAME

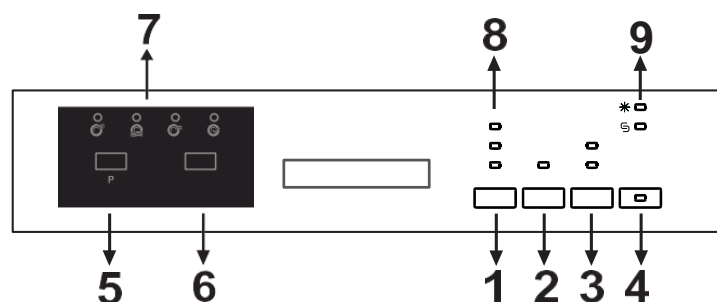
	P1	P2	P3	P4	P5	P6
Denumire program:	Prespălare	Rapid 30'	Delicat 40 °C	Eco	Super 50'	Intensiv 65 °C
Tip de reziduuri:	Pentru clătirea vaselor ce urmează a fi spălate ulterior	Pentru vase puțin murdare și o spălare rapidă.	Pentru vase puțin murdare și delicate.	Program standard pentru vase de uz zilnic, cu grad normal de murdărire, cu consum redus de energie și apă.	Pentru vase de uz zilnic, cu un grad normal de murdărire, cu un program mai rapid.	Pentru vase foarte murdare
Nivel de murdărire:	Ușoară	Ușoară	Ușoară	Medie	Medie	Intensă
Cantitate de detergent: A: 25 cm ³ , B: 15 cm ³	-	A	A	A	A	A
Durată program (h:min):	0:15	0:30	1:14	3:25	0:50	1:57
Consum de energie (kWh/ciclu):	0.02	0.74	0.88	0.923	1.1	1.7
Consum de apă (l/ciclu):	4.5	12.4	16	12	12	17.2

Avertisment: Programele scurte nu includ o etapă de uscare. Valorile declarate mai sus sunt valori obținute în condiții de laborator, în conformitate cu standardele relevante. Aceste valori se pot modifica în funcție de condițiile de mediu și de utilizare a produsului (tensiunea din rețeaua electrică, presiunea apei, temperatura de intrare a apei și temperatura mediului ambiant).

- Durata programului se poate modifica în funcție de cantitatea de vase, temperatura apei, temperatura ambiantă și funcțiile suplimentare selectate.
- Valorile furnizate pentru alte programe decât programul eco sunt doar orientative.
- Programul Eco este adecvat pentru curățarea veselei cu grad normal de murdărire, pentru această utilizare fiind cel mai eficient program din punct de vedere al consumului de energie și apă, fiind utilizat pentru evaluarea conformității cu legislația europeană Ecodesign.
- Spălarea veselei în mașina de spălat vase de uz casnic de regulă consumă mai puțină energie și mai puțină apă în faza de spălare decât spălarea manuală atunci când mașina de spălat vase de uz casnic este utilizată conform indicațiilor producătorului.
- Utilizați numai detergent pulbere pentru programele scurte.
- Programele scurte nu includ uscarea.
- Pentru a grăbi uscarea vă recomandăm să deschideți puțin ușa după finalizarea unui ciclu.
- Puteți accesa baza de date a produselor, unde sunt stocate datele referitoare la model, prin citirea codului QR de pe eticheta referitoare la energie.

NOTĂ: Conform regulamentelor 1016/2010 și 1059/2010, valorile consumului de energie al programului Eco pot fi diferite. Prezentul tabel este conform cu reglementările 2019/2022 și 2017/2022.

IX. PANOUL DE COMANDĂ



Apăsați pe butonul de pornire/oprire (4) pentru a porni mașina. Indicatorul luminos de alimentare rămâne aprins atât timp cât mașina este pornită. Apăsați pe butonul de selectare a programelor (5) pentru a seta programul corespunzător.

Apăsați pe butonul Start/Pauză (6) pentru a porni programul. Odată cu pornirea programului selectat, indicatorul Spălare se va aprinde, iar durata programului va fi afișată. Dacă deschideți ușa mașinii în timp ce programul este în desfășurare, numărul programului și durata programului sunt afișate alternativ.

Desfășurarea programelor poate fi urmărită prin intermediul indicatoarelor luminoase Spălare, Clătire, Uscare și Final (7) de pe panoul de comandă. După aprinderea indicatorului luminos pentru uscare, mașina nu produce niciun zgomot timp de 40-50 de minute.

NOTĂ: Dacă apăsați o dată pe butonul pentru funcții (3), activați funcția de încărcare la jumătate. Activarea acestei funcții duce la scurtarea duratelor programelor pentru reducerea consumului de energie și apă. Dacă utilizați detergenți combinați care conțin sare, agent de clătire și alte substanțe, apăsați pentru a doua oară pe butonul pentru funcții și activați funcția care vă permite utilizarea detergenților sub formă de tablete. Puteți utiliza butonul Extra pentru a adăuga funcții suplimentare unui program de spălare compatibil.

Când funcția pentru igienă este activă, puteți face ca procesul de spălare să fie mai igienic, modificând temperatura de spălare și durata programului curent.

Dacă selectați funcția de clătire suplimentară, indicatorul luminos pentru clătire suplimentară se va aprinde, iar etapele de spălare și clătire vor fi adăugate la programul selectat, vasele fiind mai curate și mai strălucitoare la finalul programului.

Dacă selectați funcția de uscare suplimentară, indicatorul luminos pentru uscare suplimentară se va aprinde, iar durata de uscare aferentă programului selectat se va prelungi, vasele fiind mai uscate la finalul programului. În plus, funcțiile Igienă și Uscare nu pot fi selectate simultan, deoarece nu sunt compatibile una cu cealaltă.

Dacă ați utilizat o funcție suplimentară în cadrul ultimului program de spălare, funcția respectivă va fi activă pentru următorul program de spălare. Dacă doriți să anulați funcția respectivă pentru un program nou selectat, apăsați și mențineți apăsat butonul funcției respective până când indicatorul aferent se stinge sau apăsați pe butonul de Pornire/Oprire (4) pentru a opri mașina. Dacă doriți să utilizați o funcție suplimentară pentru programul nou selectat, selectați funcția dorită.

Dacă doriți să modificați durata de temporizare, apăsați mai întâi pe butonul Start/Pauză, apoi apăsați pe butonul Temporizare pentru a selecta noua durată de temporizare. Apăsați butonul Start/Pauză pentru activarea noii durate de temporizare. Pentru anularea temporizării, apăsați pe butonul Temporizare până când durata de temporizare afișată este 0h.

NOTĂ: Dacă opriți mașina după selectarea duratei de temporizare și după pornirea programului, temporizarea este anulată.

NOTĂ: Puteți apăsa pe butonul de temporizare (2) înainte de pornirea programului, pentru a temporiza momentul pornirii programului selectat cu 1 până la 19 ore.

NOTĂ: Dacă sarea de dedurizare lipsește/este insuficientă, indicatorul de avertizare privind lipsa sării (9) se aprinde. În acest caz, este necesară umplerea compartimentului pentru sare.

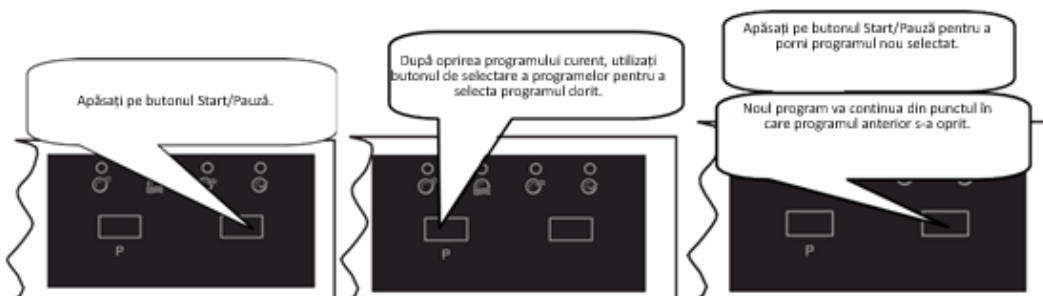
NOTĂ: Dacă agentul de clătire lipsește/este insuficient, indicatorul de avertizare privind lipsa agentului de clătire (9) se aprinde. În acest caz, este necesară umplerea compartimentului pentru agent de clătire.

Utilizarea dispozitivului de blocare pentru copii

Apăsați simultan tastele „Extra” și „Option” timp de 3 secunde pentru a activa Child Lock. În acel moment, pe indicatorul de timp rămas, „CL” este afișat timp de 2 secunde. Pentru a dezactiva această funcție, apăsați din nou tastele „Extra” și „Opțiune” simultan timp de 3 secunde. „CL” va clipi de două ori.

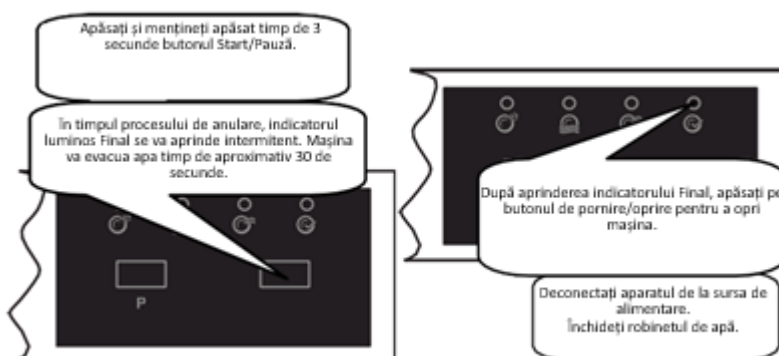
Schimbarea unui program

Dacă doriți să schimbați programul în timp ce un program de spălare este în desfășurare.



Anularea unui program

Dacă doriți să anulați un program în timpul desfășurării acestuia.



NOTĂ: Nu deschideți ușa înainte de finalizarea programului.

NOTĂ: Pentru a grăbi uscarea vaselor, lăsați ușa mașinii întredeschisă după finalizarea programului de spălare.

NOTĂ: Dacă ușa mașinii este deschisă sau alimentarea cu energie electrică este întreruptă în timpul desfășurării unui program, acesta va continua după închiderea ușii sau la restabilirea alimentării cu energie electrică.

X. CURĂȚARE ȘI ÎNTREȚINERE

Curatarea masinii de spalat vase este importanta pentru mentinerea duratei de functionare utila, a masinii.

Aveti grija ca setarea de deurizare a apei (daca este disponibila) sa fie efectuata corect si cu o cantitate si o cantitate corecta de detergent sa fie folosita pentru a preveni acumularea de tartru. Reumpleti compartimentul de sare, atunci cand lumina senzorului de sare se aprinde.

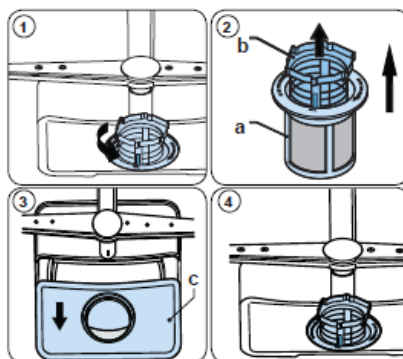
In masina de spalat vase se pot acumula in timp ulei si tartru. Daca acest lucru se intampla:

- Umpleti compartimentul pentru detergent, dar nu incarcati vase in masina. Selectati un program care functioneaza la temperatura inalta si rulati-l cu masina fara vase. Daca acest lucru nu curata suficient masina de spalat vase, utilizati un agent de curatare special conceput pentru utilizare in masina de spalat vase.
- Pentru a prelungi perioada de fuctionare a masinii de spalat vase, curatati-o cu regularitate, o data pe luna.
- Stergeti cu regularitate etansarile usilor, cu o laveta umeda pentru a indeparta reziduurile acumulate si obiectele straine.

Filtrele

Curățați filtrele și brațele de pulverizare cel puțin o dată pe săptămână. Dacă au rămas resturi de alimente pe filtrele grosiere sau fine, scoateți filtrele și curățați-le bine cu apă.

- Microfiltru
- Filtru grosier
- Filtru de metal



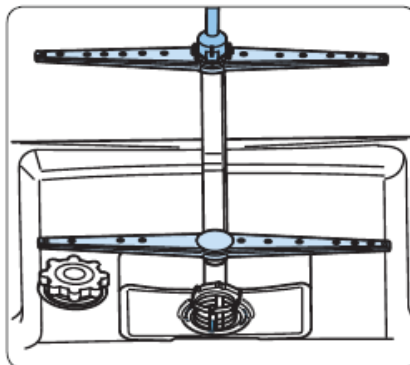
Pentru a îndepărta și curăța setul de filtre, rotiți-l în sens antiorar și ridicați-l în sus (1). Trageți filtrul grosier din microfiltru (2). Apoi trageți și scoateți filtrul metalic (3).

Clătiți filtrul cu apă din abundență până ce este lipsit de reziduuri. Reasamblați filtrele. Reinstalați setul de filtre și rotiți-l în sens orar (4).

- Nu utilizați niciodată mașina de spălat vase fără filtre.
- Montarea incorectă a filtrului va reduce eficiența de spălare.
- Filtrele curate sunt necesare pentru funcționarea corectă a mașinii

Brațe de pulverizare

Aveți grijă ca orificiile de pulverizare să nu fie înfundate și ca pe brațe să nu existe resturi alimentare sau obiecte străine. Dacă există vreo înfundare, scoateți brațele de pulverizare și curățați-le sub apă. Pentru a demonta brațul superior de pulverizare desfaceți piulița superioară de fixare rotind-o în sens orar și trăgând-o în jos. La remontarea brațului superior de pulverizare, asigurați-vă că piulița este strânsă corect.



Pompa de evacuare

Reziduurile mari de alimente sau obiectele străine neoprite de filtre pot bloca pompa de apă uzată. Apa de clătire se va afla atunci deasupra filtrului.

⚠ Avertizare Risc de tăiere!

La curățarea pompei de apă uzată aveți grijă să nu vă răniți cu sticlă spartă sau obiecte ascuțite. În acest caz:

1. În primul rând, deconectați întotdeauna aparatul de la rețeaua de alimentare.
2. Scoateți coșurile.
3. Scoateți filtrele.
4. Scoateți apa folosind un burete, dacă este necesar.
5. Verificați zona și îndepărtați orice obiecte străine.
6. Instalați filtrele.
7. Reintroduceți coșurile.

VIII. REMEDIEREA PROBLEMELOR

CODURI DE EROARE ȘI SOLUȚII DE REMEDIERE

CODURI DE EROARE	DESCRIEREA ERORII	VERIFICARE
F5	Alimentare necorespunzătoare cu apă	<ul style="list-style-type: none"> Asigurați-vă că robinetul de apă este deschis și că alimentarea cu apă nu este întreruptă. Închideți robinetul de apă, scoateți furtunul de alimentare cu apă de pe robinet și curățați filtrul de la capătul cu racord al furtunului. Reporniți mașina și contactați serviciul de asistență tehnică dacă eroarea reappare.
F3	Eroare de alimentare continuă cu apă.	<ul style="list-style-type: none"> Închideți robinetul. Solicitați asistență tehnică.
F2	Apa din mașină nu poate fi evacuată.	<ul style="list-style-type: none"> Furtunul de evacuare a apei este înfundat. Filtrele mașinii ar putea fi înfundate. Oprțiți și porniți mașina, apoi anulați programul curent. Dacă eroarea persistă, contactați serviciul de asistență tehnică.
F8	Eroare a încălzitorului.	<ul style="list-style-type: none"> Solicitați asistență tehnică.
F1	Se activează alarma pentru scurgeri de apă	<ul style="list-style-type: none"> Oprțiți mașina și închideți robinetul. Solicitați asistență tehnică.
FE	Circuit electronic defect.	<ul style="list-style-type: none"> Solicitați asistență tehnică.
F7	Eroare de supraîncălzire (temperatura din mașină este prea ridicată)	<ul style="list-style-type: none"> Solicitați asistență tehnică.
F9	Eroare poziție divizor.	<ul style="list-style-type: none"> Solicitați asistență tehnică.
F6	Senzor încălzitor defect.	<ul style="list-style-type: none"> Solicitați asistență tehnică.

Dacă indicatorul luminos pentru programe este aprins și indicatorul start/pauză se aprinde intermitent

Ușa mașinii este deschisă; închideți ușa.

Dacă programul nu pornește

- Asigurați-vă că ștecărul este conectat la sursa de alimentare.
- Verificați siguranțele instalației electrice.
- Asigurați-vă că robinetul de apă este deschis.
- Asigurați-vă că ați închis ușa mașinii.
- Asigurați-vă că ați oprit mașina prin apăsarea butonului de pornire/oprire.
- Asigurați-vă că filtrul de admisie a apei și filtrele mașinii nu sunt înfundate.

Dacă indicatoarele luminoase „Spălare” și „Final” clipeșc

- Se activează alarma pentru scurgeri de apă.
- Închideți robinetul de apă și contactați un service autorizat.

Dacă indicatoarele luminoase nu se sting după finalizarea spălării

- Asigurați-vă că butonul de pornire/oprire este în poziția corespunzătoare.

Dacă rămâne detergent în compartimentul pentru detergent

- Compartimentul a fost ud în momentul adăugării detergentului.

Dacă rămâne apă în mașină după finalizarea programului

- Furtunul de evacuare a apei este înfundat sau răsucit.
- Filtrele sunt înfundate.
- Programul nu este încă finalizat.

Dacă mașina se oprește în timpul funcționării

- Întrerupere a furnizării de energie electrică.
- Problemă a alimentării cu apă.
- Programul este în standby.

Dacă mașina trepidează și se aud bătăi în timpul spălării

- Vasele sunt așezate necorespunzător.
- Brațele de pulverizare lovesc vasele.

Dacă rămân pe vase resturi parțiale de alimente

- Vasele sunt așezate incorect în mașină, iar apa pulverizată nu a ajuns în locurile respective.
- Coșul este supraîncărcat.
- Vasele se sprijină unele de celelalte.
- Nu se utilizează detergent suficient.
- Este selectat un program de spălare nepotrivit.
- Brațele de pulverizare sunt înfundate cu resturi de alimente.
- Filtrele sunt înfundate.
- Filtrele sunt montate necorespunzător.
- Pompa de evacuare a apei este înfundată.

Dacă rămân pete albe pe vase

- Nu se utilizează detergent suficient.
- Agentul de clătire nu este dozat în cantitate suficientă.
- Nu se utilizează sare de dedurizare, iar nivelul de duritate a apei este ridicat.
- Agentul de dedurizare a apei nu este dozat în cantitate suficientă.
- Capacul compartimentului pentru sare nu este închis corespunzător.

Dacă vasele nu se usucă

- Este selectat un program care nu include funcția de uscare.
- Nivelul de dozare a agentului de clătire este prea scăzut.
- Vasele au fost scoase din mașină prea devreme.

Dacă se formează pete de rugină pe vase

- Vasele din inox sunt de slabă calitate.
- Nivel ridicat de sare în apă.
- Capacul compartimentului pentru sare nu este închis corespunzător.
- Ați vărsat prea multă sare în mașina de spălat vase.
- Împământare necorespunzătoare.

Dacă ușa nu se deschide/închide bine

- Ușa nu este reglată corespunzător. Reglați ușa.
- Arcul ușii nu este reglat corespunzător. Reglați arcul ușii.

Contactați un serviciu de asistență tehnică dacă problema persistă după efectuarea verificărilor de mai sus sau în cazul în care apar alte probleme decât cele descrise mai sus.

X. INFORMAȚII PRACTICE

1. Atunci când nu utilizați mașina:
 - Deconectați ștecărul de la sursa de alimentare și închideți robinetul.
 - Lăsați ușa întredeschisă pentru a evita acumularea mirosurilor neplăcute.
 - Mențineți curat interiorul mașinii.
2. Eliminarea picăturilor de apă:
 - Spălați vasele la programul „Intensiv”.
 - Scoateți din mașină toate recipientele metalice.
 - Nu adăugați detergent.
3. Dacă vasele sunt puse în mașină în mod corespunzător, obțineți un consum de energie redus și eficientizarea spălării și uscării.
4. Înainte de a pune vasele în mașină, îndepărtați toate resturile mari de alimente de pe acestea.
5. Porniți mașina numai după ce ați umplut coșurile.
6. Utilizați programul de prespălare numai atunci când este necesar.
7. Atunci când selectați un program de spălare, citiți cu atenție tabelul cu informații privind programul și valorile medii de consum.
8. Nu poziționați mașina în apropierea unui frigider, deoarece aceasta funcționează la temperaturi ridicate.
9. Dacă mașina se află într-un spațiu în care există riscul de îngheț, evacuați complet apa rămasă în mașină. Opriți robinetul de apă, deconectați furtunul de la robinet și evacuați complet apa din furtun.

SERVICE ȘI ASISTENȚĂ PENTRU CLIEȚI

Utilizați numai piese de schimb originale.

Când contactați centrul nostru de service autorizat, asigurați-vă că aveți la îndemână următoarele informații: Denumirea modelului și numărul de serie.

Informațiile pot fi găsite pe plăcuța cu date tehnice. Acestea pot suferi modificări fără o notificare prealabilă.

DATE TEHNICE

Informațiile tehnice se află pe plăcuța cu date tehnice a aparatului și pe eticheta energetică.

Codul QR de pe eticheta energetică furnizată împreună cu aparatul oferă un link web către informațiile din baza de date EPREL cu privire la performanțele aparatului.

Păstrați eticheta energetică pentru consultări ulterioare, împreună cu manualul de utilizare și cu toate celelalte documente furnizate împreună cu acest aparat.

De asemenea, puteți găsi aceleași informații în baza de date EPREL, folosind link-ul <https://eprel.ec.europa.eu> și denumirea modelului o găsiți pe plăcuța cu date tehnice a aparatului.

Pentru a accesa informațiile despre produsul Dvs în portalul EPREL, puteți scana codurile de mai jos:

HDW-FS6006DGE++



HDW-FS6006DSE++



Vă mulțumim pentru achiziționarea acestui produs! Dacă aveți nevoie de asistență în ceea ce privește produsul dumneavoastră, vizitați site-ul nostru web utilizând linkurile de mai jos:

Manuale de utilizare: <https://www.heinner.ro>

Informații referitoare la service: <https://www.heinner.ro>



MASURI PENTRU PROTECTIA MEDIULUI

Va informam ca persoanele fizice au urmatoarele obligatii prin legislatia specifica privind protectia mediului si regimul deseurilor:

- Deseurile de echipamente electrice si electronice (DEEE), pot contine substante periculoase pentru mediu si sanatatea umana. Conform OUG 5/2015, exista obligativitatea predarii acestora, pentru tratarea corespunzatoare si valorificarea componentelor reciclabile. Societatea Network One Distribution S.R.L. este platitoare de taxa de "timbru verde" pentru fiecare Echipament Electric si Electronic (EEE) pe care il pune pe piata. Acest cost asigura tratarea ulterioara a echipamentelor uzate colectate. Din acest motiv, odata ce devine deseu, produsul EEE poate fi predat gratuit operatorului Dvs. de salubritate, la magazine atunci cand achizitionati alt echipament similar, sistemul "unul la unu" sau la punctul de colectare organizat de Primaria Sectorului / localitatii Dvs.
- Simbolul (marcajul) aplicat produselor, care indica faptul ca deseurile DEEE, bateriile si acumulatorii - fac obiectul unei colectari separate, il reprezinta o pubea barata cu o cruce.



Aceste masuri vor ajuta la protejarea mediului

Societatea Network One Distribution S.R.L. este inregistrata in Registrul de punere pe piata a echipamentelor electrice si electronice, avand numarul de inregistrare: RO-2016-03-EEE-0201-IV. De asemenea, au fost intocmite si sunt gestionate: Registrul de Retragere EEE si Registrul de Rechemare EEE, in conformitate cu HG 322/2013. Totodata societatea este inregistrata in Registrul de punere pe piata a bateriilor, avnd numarul de inregistrare: RO-2011-03-B&A-0283.

Conformitatea cu directiva RoHS: Produsul pe care l-ati cumparat este conform cu Directiva RoHS UE (2011/65/UE). Nu contine materialele daunatoare si interzise specificate in Directiva.

Va multumim ca participati alaturi de noi la protejarea mediului si a sanatatii umane!



HEINNER este marcă înregistrată a companiei **Network One Distribution SRL**. Celelalte branduri și denumirile produselor sunt mărci de comerț sau mărci de comerț înregistrate ale respectivilor deținători.

Nicio parte a specificațiilor nu poate fi reprodusă sub nicio formă și prin niciun mijloc, nici utilizată pentru obținerea unor derivate precum traduceri, transformări sau adaptări, fără consimțământul prealabil al companiei NETWORK ONE DISTRIBUTION.

Copyright © 2013 Network One Distribution. Toate drepturile rezervate.

www.heinner.com, <http://www.nod.ro>



Acest produs este proiectat și realizat în conformitate cu standardele și normele Comunității Europene.

Importator: **Network One Distribution**

Str. Marcel Iancu, nr. 3-5, București, România

Tel: +40 21 211 18 56, www.heinner.com, www.nod.ro

