

SIDE BY SIDE

Model:

HSBS-HM592NFDXWDE++



- Total capacity: 592 L
- Energy class: E

HEINER

1. INTRODUCTION

Please read the instructions carefully and keep the manual for future information.

This manual is designed to give all necessary instructions concerning installation, use and maintenance of the unit. In order to operate the unit correctly and safely, please read this instruction manual carefully before installation and use.

2. CONTENT OF YOUR PACKAGE

- ➔ **Side by side**
- ➔ **User manual**
- ➔ **Certificate of warranty**

3. SAFETY INFORMATION

In the interest of your safety and to ensure the correct use, before installing and first using the appliance, read this user manual carefully, including its hints and warnings. To avoid unnecessary mistakes and accidents, it is important to ensure that all people using the appliance are thoroughly familiar with its operation and safety features. Save these instructions and make sure that they remain with the appliance if it is moved or sold, so that everyone using it through its life will be properly informed on appliance use and safety. For the safety of life and property keep the precautions of these user's instructions as the manufacturer is not responsible for damages caused by omission.

Children and vulnerable people safety

This appliance can be used by children aged from 8 years and above and persons with reduced physical, sensory or mental capabilities or lack of experience and knowledge if they have been given supervision or instruction concerning use of the appliance in a safe way and understand the hazards involved.

Children should be supervised to ensure that they do not play with the appliance.

Cleaning and user maintenance shall not be made by children unless they are aged from 8 years and above and supervised.

Keep all packaging well away from children. There is risk of suffocation.

If you are discarding the appliance pull the plug out of the socket, cut the connection cable (as close to the appliance as you can) and remove the door to prevent playing children to suffer electric shock or to close themselves into it.

If this appliance featuring magnetic door seals is to replace an older appliance having a spring lock (latch) on the door or lid, be sure to make that spring lock unusable before you discard the old appliance. This will prevent it from becoming a death trap for a child.

Children aged from 3 to 8 years are allowed to load and unload refrigerating appliances (This clause applies only to the EU region).

General safety

WARNING! Keep ventilation openings, in the appliance enclosure or in the built-in structure, clear of obstruction.

WARNING! Do not use mechanical devices or other means to accelerate the defrosting process, other than those recommended by the manufacturer.

WARNING! Do not damage the refrigerant circuit.

WARNING! The refrigerant and insulation blowing gas are flammable. When disposing of the appliance, do so only at an authorized waste disposal centre. Do not expose to flame.

WARNING! When positioning the appliance, ensure the supply cord is not trapped or damaged.

WARNING! Do not locate multiple portable socket-outlets or portable power supplies at the rear of the appliance.

WARNING! Do not use other electrical appliances (such as ice cream makers) inside of refrigerating appliances, unless they are approved for this purpose by the manufacture.

WARNING! Do not touch the light bulb if it has been on for a long period of time because it could be very hot.

WARNING! The illuminating lamps must not be replaced by the user! If the illuminating lamps is damaged, contact the customer helpline for assistance. This warning is only for refrigerators that contain illuminating lamps.

- Do not store explosive substances such as aerosol cans with a flammable propellant in this appliance.
- The refrigerant isobutane (R600a) is contained within the refrigerant circuit of the appliance, a natural gas with a high level of environmental compatibility, which is nevertheless flammable.
- During transportation and installation of the appliance, be certain that none of the components of the refrigerant circuit become damaged.
- Avoid open flames and sources of ignition thoroughly ventilate the room in which the appliance is situated.
- It is dangerous to alter the specifications or modify this product in any way. Any damage to the cord may cause a short circuit, fire and/or electric shock.
- This appliance is intended to be used in household only.
 - Staff kitchen areas in shops, offices and other working environments;
 - Farm houses and by clients in hotels, motels and other residential type environments;
 - Bed and breakfast type environments;
 - Catering and similar non-retail applications.

WARNING! Any electrical components (plug, power cord, compressor and etc.) must be replaced by a certified service agent or qualified service personnel.

WARNING! The light bulb supplied with this appliance is a “special use lamp bulb” usable only with the appliance supplied. This “special use lamp” is not usable for domestic lighting.

Safety information

- Power cord must not be lengthened.
- Make sure that the power plug is not squashed or damaged by the back of the appliance. A squashed or damaged power plug may overheat and cause a fire.
- Make sure that you can come to the mains plug of the appliance.
- If the power plug socket is loose, do not insert the power plug. There is a risk of electric shock or fire.
- You must not operate the appliance without the lamp.
- This appliance is heavy. Care should be taken when moving it.
- Do not remove nor touch items from the freezer compartment if your hands are damp/wet, as this could cause skin abrasions or frost/freezer burns.
- Avoid prolonged exposure of the appliance to direct sunlight.
- Do not pull the main cable.
- The fridge is only applied with power supply of single phase alternating current of 220~240V/50Hz. If fluctuation of voltage in the district of user is so large that the voltage exceeds the above scope, for safety sake, be sure to apply A.C. Automatic voltage regulator of more than 350W to the fridge. The fridge must employ a special power socket instead of common one with other electric appliances. Its plug must match the socket with ground wire.

Refrigerant

The refrigerant isobutene (R-600a) is contained within the refrigerant circuit of the appliance, a natural gas with a high level of environmental compatibility, which is nevertheless flammable. During transportation and installation of the appliance, ensure that none of the components of the refrigerant circuit becomes damaged. The refrigerant (R-600a) is flammable.

WARNING! Refrigerators contain refrigerant and gases in the insulation. Refrigerant and gases must be disposed of professionally as they may cause eye injuries or ignition. Ensure that tubing of the refrigerant circuit is not damaged prior to proper disposal.



WARNING! Risk of fire

If the refrigerant circuit should be damaged:

- Avoid opening flames and sources of ignition.
- Thoroughly ventilate the room in which the appliance is situated.



WARNING! During using, service and disposal the appliance, please pay attention to symbol similar as left side, which is located on rear of appliance (rear panel or compressor) and with yellow or orange color. It's risk of fire warning symbol. There are flammable materials in refrigerant pipes and compressor. Please be far away fire source during using, service and disposal.

WARNING! Do not use other electrical appliances (such as ice cream makers) inside of refrigerating appliances, unless they are approved for this purpose by the manufacture.

WARNING! Do not touch the light bulb if it has been on for a long period of time because it could be very hot.

4. DAILY USE

Do not put hot on the plastic parts in the appliance.

Do not place food products directly against the rear wall.

Frozen food must not be re-frozen once it has been thawed out.

Store pre-packed frozen food in accordance with the frozen food manufacture's instructions.

Appliance's manufactures storage recommendations should be strictly adhered to. Refer to relevant instructions.

Do not place carbonated or fizzy drinks in the freezer compartment as it creates pressure on the container, which may cause it to explode, resulting in damage to the appliance.

Ice lollies can cause frost burns if consumed straight from the appliance.

5. CLEANING AND MAINTENANCE

Before maintenance, switch off the appliance and disconnect the mains plug from the mains socket.

Do not clean the appliance with metal objects.

Do not use sharp objects to remove frost from the appliance. Use a plastic scraper.¹⁾

Regularly examine the drain in the refrigerator for defrosted water. If necessary, clean the drain. If the drain is blocked, water will collect in the bottom of the appliance.²⁾

1) If there is a freezer compartment

2) If there is a fresh-food storage compartment

6. INSTALLATION

Important!

For electrical connection carefully follow the instructions given in specific paragraphs.

Unpack the appliance and check if there are damages on it. Do not connect the appliance if it is damaged. Report possible damages immediately to the place you bought it. In that case retain packing.

It is advisable to wait at least four hours before connecting the appliance to allow the oil to flow back in the compressor.

Adequate air circulation should be around the appliance, lacking this leads to overheating. To achieve sufficient ventilation, follow the instructions relevant to installation.

Wherever possible the spacers of the product should be against a wall to avoid touching or catching warm parts (compressor, condenser) to prevent possible burn.

The appliance must not be located close to radiators or cookers.
Make sure that the mains plug is accessible after the installation of the appliance.

7. SERVICE AND ENERGY SAVING

Service

Any electrical work required to do the servicing of the appliance should be carried out by a qualified electrician or competent person.
This product must be serviced by an authorized Service Center, and only genuine spare parts must be used.

Energy saving

Don't put hot food in the appliance.
Don't pack food close together as this prevents air circulating.
Make sure food don't touch the back of the compartment(s).
If electricity goes off, don't open the door(s).
Don't open the door(s) frequently.
Don't keep the door(s) open for too long time.
Don't set the thermostat on exceeding cold temperatures.
All accessories, such as drawers, shelves, door balconies should be kept in original place for lower energy consumption.

8. ENVIRONMENT PROTECTION


Packaging materials

The materials with the symbol are recyclable. Dispose the packaging in a suitable collection containers to recycle it.

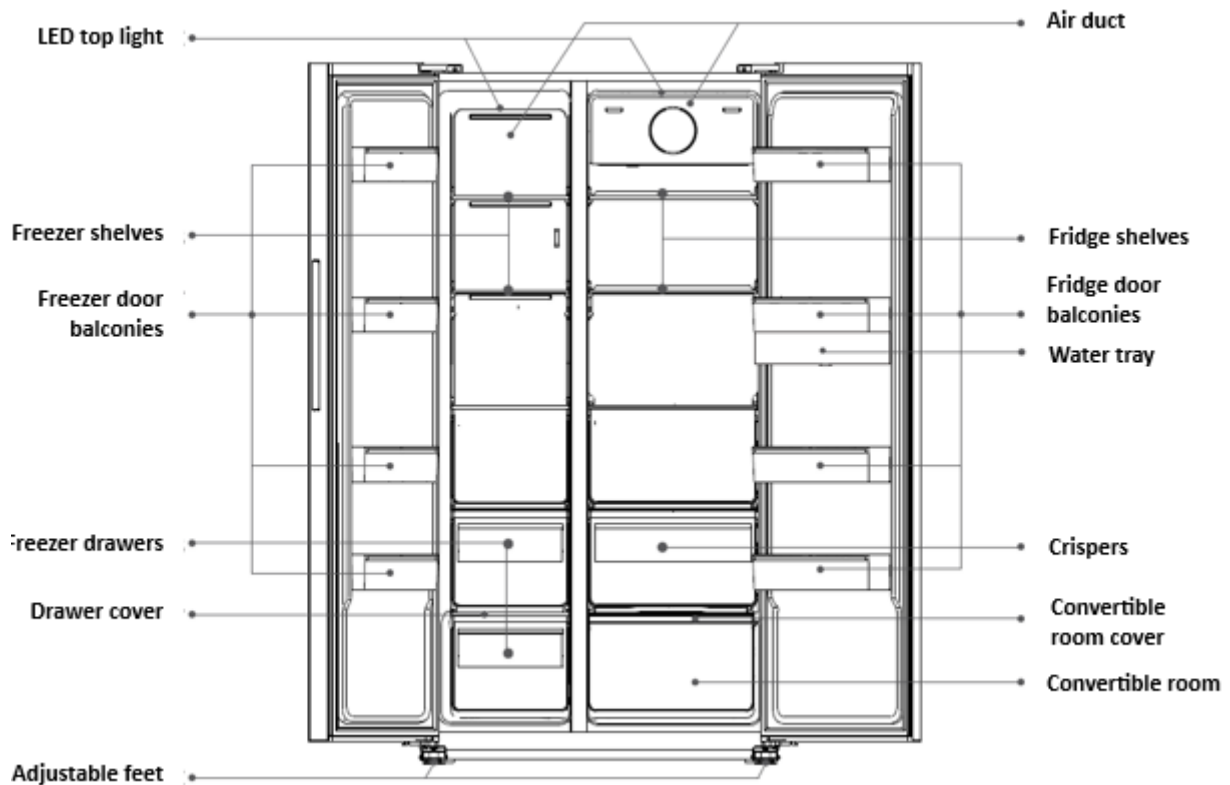
Disposal of the appliance

1. Disconnect the mains plug from the mains socket.
2. Cut off the mains cable and discard it.

This appliance does not contain gasses which could damage the ozone layer, in either its refrigerant circuit or insulation materials. The appliance shall not be discarded together with the urban refuse and rubbish. The insulation foam contains flammable gases: the appliance shall be disposed according to the appliance regulations to obtain from your local authorities. Avoid damaging the cooling unit, especially the heat

exchanger. The materials used on this appliance marked by the symbol  are recyclable.

9. PRODUCT DESCRIPTION



This illustration is only for hinting, the detail please check your appliance.

10. INSTALLATION

Remove the doors

Tool required: Philips screwdriver, flat bladed screwdriver.

Ensure the unit is unplugged and empty.

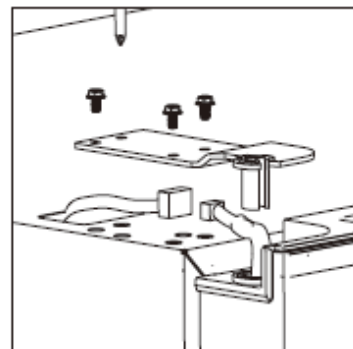
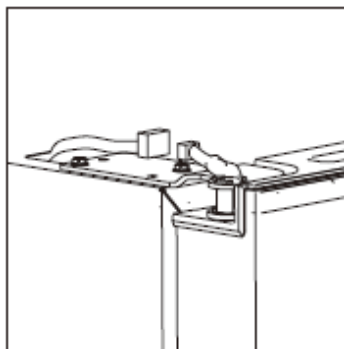
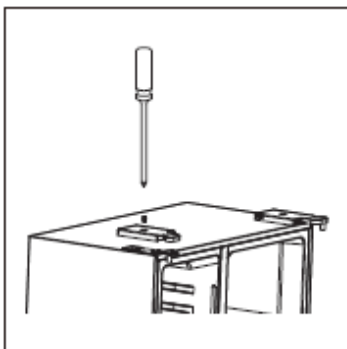
To take the door off it is necessary to tilt the unit backwards. You should rest the unit on something solid so that it will not slip during the door removing process.

All parts removed must be saved to do the reinstallation of the door.

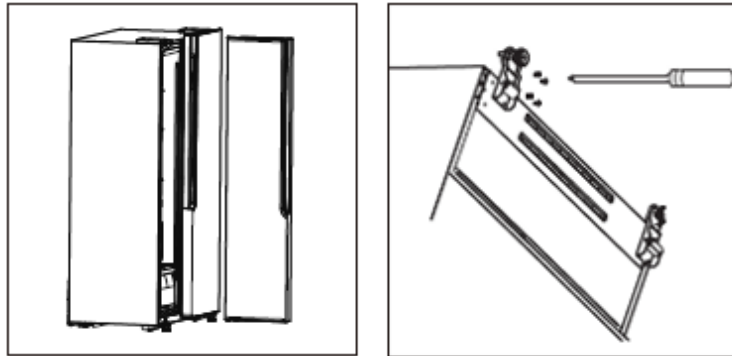
Do not lay the unit flat as this may damage the coolant system.

It is better that 2 people handle the unit during assembly.

1. Unscrew hinge cover by Philips screwdriver.
2. Disconnect the harness.
3. Unscrew the top hinge.

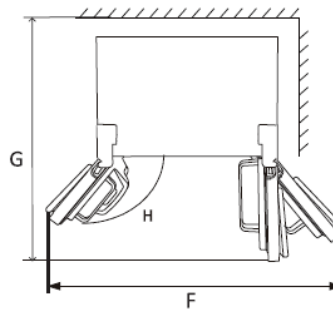
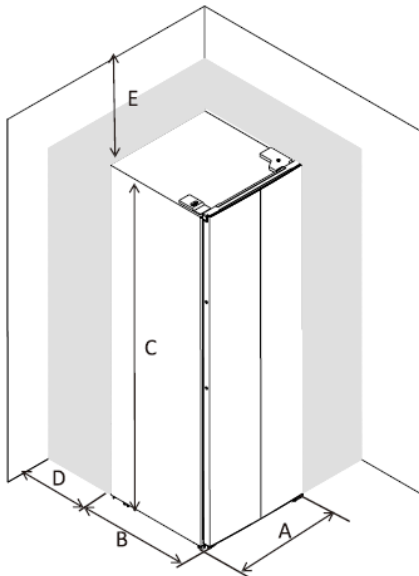


4. Lift the door and place it on a soft pad. Then remove another door as same process.
5. Unscrew bottom hinges.
6. After the appliance is positioned install the doors as reversed process.



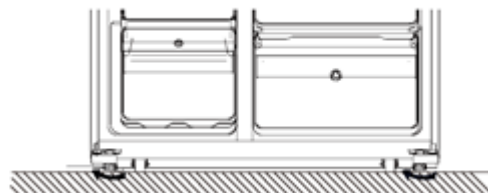
Space requirement

Keep enough space of door open.
Keep at least 50 mm gap at two sides and back.



A	905
B	730
C	1770
D	min=50
E	min=50
F	1565
G	1220
H	140°

Levelling and anchor the refrigerator



- Levelling and anchor the refrigerator by adjust the feet.
- Clockwise rotate feet to heighten them by hand.
- Anticlockwise rotate feet to lower them by hand.

Positioning

Install this appliance at a location where the ambient temperature corresponds to the climate class indicated on the rating plate of the appliance:

For refrigerating appliances with climate class:

- extended temperate: this refrigerating appliance is intended to be used at ambient temperatures ranging from 10°C to 32°C (SN);
- temperate: this refrigerating appliance is intended to be used at ambient temperatures ranging from 16°C to 32°C (N);
- subtropical: this refrigerating appliance is intended to be used at ambient temperatures ranging from 16°C to 38°C (ST);
- tropical: this refrigerating appliance is intended to be used at ambient temperatures ranging from 16°C to 43°C (T);

Location

The appliance should be installed well away from sources of heat such as radiators, boilers, direct sunlight etc. Ensure that air can circulate freely around the back of the cabinet. To ensure best performance, if the appliance is positioned below an overhanging wall unit, the minimum distance between the top of the cabinet and the wall unit must be at least 100 mm. Ideally, however, the appliance should not be positioned below overhanging wall units. Accurate leveling is ensured by one or more adjustable feet at the base of the cabinet.

This refrigerating appliance is not intend to be used as a built-in appliance.

Warning! It must be possible to disconnect the appliance from the mains power supply; the plug must therefore be easily accessible after installation.

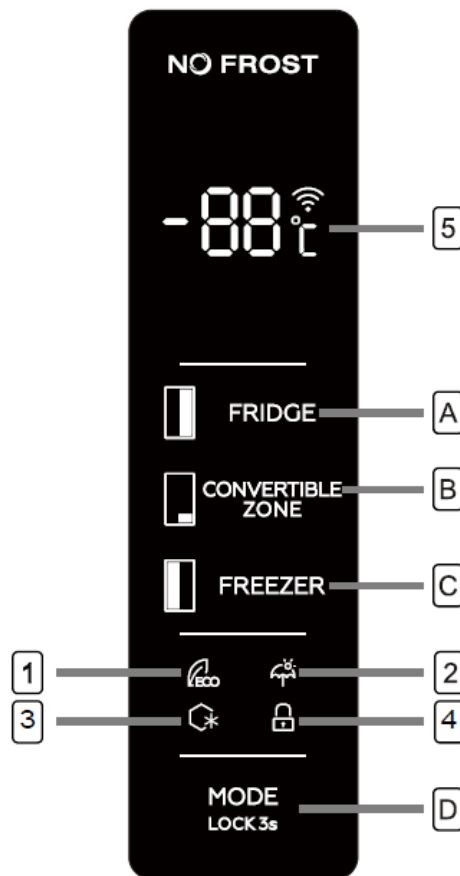
Electrical connection

Before plugging in, ensure that the voltage and frequency shown on the rating plate correspond to your domestic power supply. The appliance must be earthed. The power supply cable plug is provided with a contact for this purpose. If the domestic power supply socket is not earthed, connect the appliance to a separate earth in compliance with current regulations, consulting a qualified electrician.

The manufacturer declines all responsibility if the above safety precautions are not observed. This appliance complies with the E.E.C. Directives.

11. DAILY USE

Using the control panel



Buttons

- A. Press to adjust temperature of fridge compartment (right side) from 2°C to 8°C and off cooling (- -).
 - B. Press to adjust temperature of convertible zone from 5°C to -3°C and off cooling (- -).
 - C. Press to adjust temperature of freezer compartment (left side) from -14°C to -22°C.
 - D. Press to select running mode from **ECO**, **HOLIDAY**, **SUPER FREEZING** and **User's setting** (no symbol in display).
- Press 3 SEC button and hold for 3 seconds to lock other three buttons.
Press it and hold for 3 seconds to unlock other three buttons.

Display

1. ECO mode

Press mode to choose ECO mode, ECO icon keeps bright after 5 sec flashing.
Temperature fix 6°C in fridge compartment and -16°C in freezer compartment under ECO mode.
"Freezer" & "Fridge" button in vain while ECO icon will flash three times in alarm. The temperature of convertible compartment can be adjusted freely by operating the convertible zone temp. setting.
Exit ECO mode:

Choose mode, exit ECO Mode after 5 sec, entering the selected mode.

2. Holiday mode

Press mode to choose Holiday mode, the icon keeps bright after 5 sec flashing, entering holiday mode.
Temperature fix 17°C in fridge compartment, "fridge" button in vain, while holiday icon will flash three times in alarm.
Temperature of freezer compartment and convertible compartment can be adjusted freely.
Exit Holiday mode:

Choose mode, exit Holiday Mode after 5 sec, entering the selected mode.

3. Super freezing mode

Choose mode, the icon keeps bright after 5 sec flashing, entering Super freezing mode.

Super freezing mode:

Temperature fix -25°C in freezing compartment, "freezer" button in vain, while freezing icon will flash three times in alarm.

Temperature of fridge compartment and convertible compartment can be adjusted freely.

Exit Super freezing mode:

- manually exit Freezing Mode.
- freezing period more than 50 hours.

4. **Lock**, the symbol will light on if buttons are locked.

5. **Temperature** display, display the setting temperature of fridge zone/convertible zone/freezer zone.

Door open alarm


When any door is left open or not closed completely for about 60 seconds, the appliance will sound an alarm. Close the fridge door then the alarm will stop.


If the door is not well closed, then the alarm will sound every 30 seconds until the doors are well closed.

If doors are open for 10 continuous minutes without closing, the internal LED light would be turned off automatically.

Child safety lock

This function is designed to prevent children from operating the appliance.

To activate the function, press and hold LOCK 3s for about 3 seconds. The lock indicator light  will illuminate indicating the safety lock function is activated.

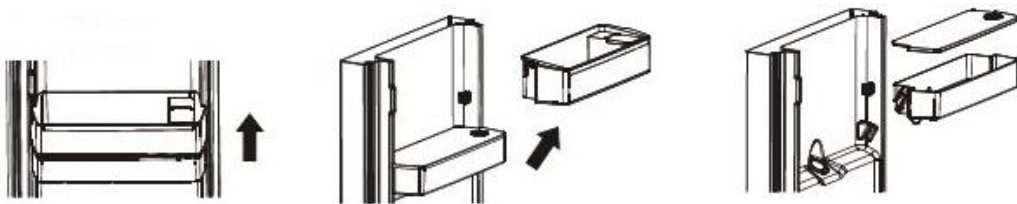
To deactivate the function, press and hold LOCK 3s for about 3 second. The unlock indicator light  will illuminate indicating the safety lock function is deactivated.

Using the water dispenser

Before first use

Before using the water dispenser for the first time, remove and clean the water tank located inside the fridge compartment.

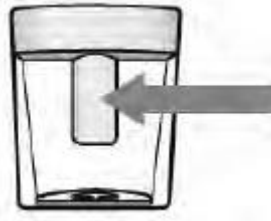
1. Lift and take off tank balcony first, then take off water tank with cover. Detach the cover to wash and clean the tank and cover.



2. After cleaning, reposition water tank, cover and tank balcony as below process.

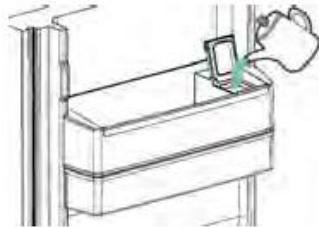


3. Clean the dispenser pad outside the fridge door.



Filing the water tank with water

1. Open the small lid.



2. Fill the water tank with drinkable water up to 3 L line.

3. Close the small lid on the cover.



Dispensing

To dispense water, push the dispenser pad gently, using a glass or container.

To stop the flow of water, pull your glass away from the dispenser pad.

Caution!

Do not fill water tank with any liquid other than drinking water, beverages such as fruit juice, carbonated fizzy soda drinks, alcoholic drinks are not suitable for use with water dispenser. If such liquids are filled, the water dispenser may be malfunction and may be damaged beyond repair. Some chemical ingredients and additives in such drinks / beverages may also attack and damage water tank.

Only use clean pure drinking water. Capacity of the tank is 3 L, do not over fill.

12. FIRST USE

Cleaning the interior

Before using the appliance for the first time, wash the interior and all internal accessories with lukewarm water and some neutral soap so as to remove the typical smell of a brand new product, then dry thoroughly. **IMPORTANT!** Do not use detergents or abrasive powders, as these will damage the finish.

Thawing

Deep-frozen or frozen food, prior to be used, can be thawed in the freezer compartment or at room temperature, depending on the time available for this operation. Small pieces may even be cooked still frozen, directly from the freezer. In this case, cooking will take longer.

Ice cubes

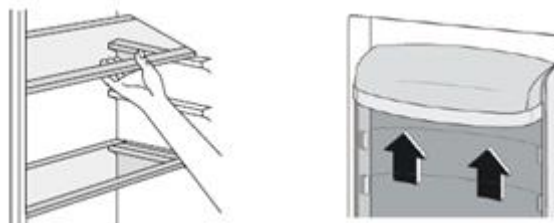
This appliance may be equipped with one or more ice-cube trays.

Movable shelves

The walls of the refrigerator are equipped with a series of runners so that the shelves can be positioned as desired.

Positioning the door balconies

To permit storage of food packages of various sizes, the door balconies can be placed at different heights. To make these adjustments proceed as follows: gradually pull the balcony in the direction of the arrows until it comes free, then reposition as required.

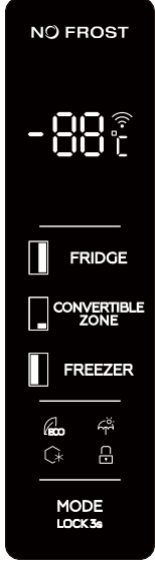


Daily use

Position different food in different compartments according to below table.

Refrigerator compartments	Type of food
Door or balconies of fridge compartment	Foods with natural preservatives, such as jams, juices, drinks, condiments. Do not store perishable foods.
Crisper zone	Fruits, herbs and vegetables should be placed separately in the crisper bin. Do not store bananas, onions, potatoes, garlic in the refrigerator.
Fridge shelf	Dairy food, eggs, cakes, pasta, pizza Foods that do not need cooking, such as ready-to-eat foods, deli meats, leftovers.
Convertible compartment	3°C~5°C: fresh fruit, vegetables 0°C~2°C: drinks, beer, red wine, treasure -3°C~-1°C: chilling foods for short term storage, such as raw meat, fish, seafood, dumplings.
Freezer compartment	Foods for long-term storage. Seafood, fish, meat, dumplings, frozen baked goods.

Temperature setting recommendation

Temperature Setting Recommendation		
Environment temperature	Temperature setting	
Summer (Above 38°C)		Fridge set on 2°C
		Freezer set on -20°C
Normal		Fridge set on 4°C
		Freezer set on -18°C
Winter (Below 16°C)		Fridge set on 5°C
		Freezer set on -18°C

Information above give users recommendation of temperature setting.

Impact on food storage

- Under recommended setting, the best storage time of fridge is no more than 3 days.
- Under recommended setting, the best storage time of freezer is no more than 1 month.
- The best storage time may reduce under other settings.

Hints for freezing

To help you make the most of the freezing process, here are some important hints:

- the maximum quantity of food which can be frozen in 24 hrs. is shown on the rating plate;
- the freezing process takes 24 hours. No further food to be frozen should be added during this period;
- only freeze top quality, fresh and thoroughly cleaned, foodstuffs;
- prepare food in small portions to enable it to be rapidly and completely frozen and to make it possible subsequently to thaw only the quantity required;
- wrap up the food in aluminium foil or polythene and make sure that the packages are airtight;
- do not allow fresh, unfrozen food to touch food which is already frozen, thus avoiding a rise in temperature of the latter;
- lean foods store better and longer than fatty ones; salt reduces the storage life of food;
- water ices, if consumed immediately after removal from the freezer compartment, can possibly cause the skin to be freeze burnt;
- it is advisable to show the freezing in date on each individual pack to enable you removal from the freezer compartment, can possibly cause the skin to be freeze burnt;
- it is advisable to show the freezing in date on each individual pack to enable you to keep tab of the storage time.

Hints for storage of frozen food

To obtain the best performance from this appliance, you should:

- make sure that the commercially frozen foodstuffs were adequately stored by the retailer;
- be sure that frozen foodstuffs are transferred from the food store to the freezer in the shortest possible time;
- do not open the door frequently or leave it open longer than absolutely necessary.

Once defrosted, food deteriorates rapidly and cannot be refrozen.

Do not exceed the storage period indicated by the food manufacture.

Hints for fresh food refrigeration

To obtain the best performance:

- Do not cover warm food or evaporating liquids in the refrigerator
- Do cover or wrap the food, particularly if it has a strong flavour.

To avoid contamination of food, please respect the following instructions:

- Opening the door for long periods can cause a significant increase of the temperature in the compartments of the appliance.
- Clean regularly surfaces that can come in contact with food and accessible drainage systems.
- Store raw meat and fish in suitable containers in the refrigerator, so that it is not in contact with or drip onto other food.
- Two-star frozen-food compartments are suitable for storing pre-frozen food, storing or making ice cream and making ice cubes.
- One-, two- and three-star compartments are not suitable for the freezing of fresh food.

Note: please store different foods according to the compartments or target storage temperature of your purchased products.

- If the appliance is left empty for long periods, switch off, defrost, clean, dry, and leave the door open to prevent mould developing within the appliance.

Water dispenser cleaning (special for water dispenser products): Clean water tanks if they have not been used for 48 h; flush the water system connected to a water supply if water has not been drawn for 5 days.

Order	Compartments TYPE	Target storage temp. [°C]	Appropriate food
1	Fridge	+2≤+6	Eggs, cooked food, packaged food, fruits and vegetables, dairy products, cakes, drinks and other foods are not suitable for freezing.
2	(***)*-Freezer	≤-18	Seafood (fish, shrimp, shellfish), freshwater aquatic products and meat products (recommended for 3 months, the longer the storage time, the worse the taste and nutrition), suitable for frozen fresh food.
3	***-Freezer	≤-18	Seafood (fish, shrimp, shellfish), freshwater aquatic products and meat products (recommended for 3 months, the longer the storage time, the worse the taste and nutrition), are not suitable for frozen fresh food.
4	**-Freezer	≤-12	Seafood (fish, shrimp, shellfish), freshwater aquatic products and meat products (recommended for 2 months, the longer the storage time, the worse the taste and nutrition), are not suitable for frozen fresh food.

5	*-Freezer	≤ -6	Seafood (fish, shrimp, shellfish), freshwater aquatic products and meat products (recommended for 1 months, the longer the storage time, the worse the taste and nutrition), are not suitable for frozen fresh food.
6	0-star	$-6 \leq 0$	Fresh pork, beef, fish, chicken, some packaged processed foods, etc. (Recommended to eat within the same day, preferably no more than 3 days). Partially encapsulated processed foods (non-freezable foods)
7	Chill	$-2 \leq +3$	Fresh/frozen pork, beef, chicken, freshwater aquatic products, etc. (7 days below 0 °C and above 0 °C is recommended for consumption within that day, preferably no more than 2 days). Seafood (less than 0 for 15 days, it is not recommended to store above 0 °C).
8	Fresh Food	$0 \leq +4$	Fresh pork, beef, fish, chicken, cooked food, etc. (Recommended to eat within the same day, preferably no more than 3 days).
9	Wine	$+5 \leq +20$	Red wine, white wine, sparkling wine, etc.

Hints for refrigeration

Useful hints:

- Make (all types): wrap in polythene bags and place on the glass shelves above the vegetable drawer.
- For safety, store in this way only one or two days at the most.
- Cooked foods, cold dishes, etc.: these should be covered and may be placed on any shelf.
- Fruits and vegetables: these should be thoroughly cleaned and placed in the special drawer(s) provided.
- Butter and cheese: these should be placed in special airtight containers or wrapped in aluminum foil or polythene bags to exclude as much air as possible.
- Milk bottle: these should have a cap and should be stored in the balconies on the door.
- Bananas, potatoes, onions and garlic, if not packed, must not be kept in the fridge.

13. CLEANING

For hygienic reasons the appliance interior, including interior accessories, should be cleaned regularly.

Caution! The appliance may not be connected to the mains during cleaning. Danger of electrical shock! Before cleaning switch, the appliance off and remove the plug from the mains, or switch off or turn out the circuit breaker or fuse. Never clean the appliance with a steam cleaner. Moisture could accumulate in electrical components, danger of electrical shock! Hot vapors can lead to the damage of plastic parts. The appliance must be dry before it is placed back into service.

Important! Ethereal oils and organic solvents can attack plastic parts, e.g. lemon juice or the juice from orange peel, butyric acid, cleanser that contain acetic acid.

- Do not allow such substances to come into contact the appliance parts.
- Do not use any abrasive cleaners
- Remove the food from the freezer. Store them in a cool place, well covered.
- Switch the appliance off and remove the plug from the mains, or switch off or turn out the circuit breaker or fuse.
- Clean the appliance and the interior accessories with a cloth and lukewarm water. After cleaning wipe with fresh water and rub dry.
- After everything is dry place appliance back into service.

14. TROUBLESHOOTING

Caution! Before troubleshooting, disconnect the power supply. Only a qualified electrician of competent person must do the troubleshooting that is not in this manual.

Important! There are some sounds during normal use (compressor, refrigerant circulation).

Problem	Possible cause	Solution
Appliance does not work	Mains plug in not plugged in or is loose	Insert mains plug
	Fuse has blown or is defective	Check fuse, replace if necessary
	Socket is defective	Mains malfunctions are to be corrected by an electrician
The food is too warm	Temperature is not properly adjusted	Please look at the initial temperature setting section
	Door was open for an extended period	Open the door only as long as necessary
	A large quantity of warm food was placed in the appliance within the las 24 hours	Turn the temperature regulation to a colder setting temporarily
	The appliance is near a heat source	Please look in the installation location section
Appliance cools to much	Temperature is set too cold	Turnn the temperature regulation knob to a warmer setting temporarily.
Unusual noises	Appliance is not level	Re-adjust the feet
	The appliance is touching the wall or other objects	Move the appliance slightly
	A component, e.g. a pipe, on the rear is toching another part of the appliance or the wall	If necessary, carefully bend the component out of the way
Heavy build up of frost on the door seal	Door seal is not airtight	Carefully warm the leaking sections of the door seal with a hair dryer (on a cool setting). At the same time shape the warmed door seal by hand such thar it sits correctly
Side panels are hot	It's normal. Heat exchange is in the side panels	Take gloves to touch side panels if need.

CUSTOMER CARE AND SERVICE

Always use original spare parts.

When contacting our Authorised Service Centre, ensure that you have the following data available: Model and Serial Number.

The information can be found on the rating plate. Subject to change without notice.

TECHNICAL DATA

The technical information is situated in the rating plate on the internal side of the appliance and on the energy label.

The QR code on the energy label supplied with the appliance provides a web link to the information related to the performance of the appliance in the EU EPREL database.

Keep the energy label for reference together with the user manual and all other documents provided with this appliance.

It is also possible to find the same information in EPREL using the link <https://eprel.ec.europa.eu> and the model name and product number that you find on the rating plate of the appliance.

To access information about your product in the EPREL portal, you can scan the codes below:



Thank you for purchasing this product. If you need support with your product, visit our website using the links below.

Get User manuals: <https://www.heinner.ro>

Get Service information: <https://www.heinner.ro>



Environment friendly disposal

You can help protect the environment!

Please remember to respect the local regulations: hand in the non-working electrical equipment's to an appropriate waste disposal center.



HEINNER is a registered trademark of **Network One Distribution SRL**. Other brands and product names are trademarks or registered trademarks of their respective holders.

No part of the specifications may be reproduced in any form or by any means or used to make any derivative such as translation, transformation, or adaptation without permission from NETWORK ONE DISTRIBUTION.

Copyright © 2013 Network One Distribution. All rights reserved.

www.heinner.com, <http://www.nod.ro>



This product is in conformity with norms and standards of European Community



Importer: **Network One Distribution**

Marcel Iancu Street, 3-5, Bucharest, Romania

Tel: +40 21 211 18 56, www.heinner.com , www.nod.ro

SIDE BY SIDE

Model:

HSBS-HM592NFDXWDE++



- Capacitate totală: 592 L
- Clasa de eficiență energetică: E

HEINER

1. INTRODUCERE

Vă rugăm să citiți instrucțiunile cu atenție și să păstrați manualul pentru consultări ulterioare. Acest manual are scopul de a vă oferi toate instrucțiunile necesare cu privire la instalarea, utilizarea și întreținerea aparatului. Pentru utilizarea corectă și în siguranță a aparatului, vă rugăm să citiți cu atenție acest manual de instrucțiuni înainte de instalare și utilizare.

2. CONȚINUTUL PACHETULUI DUMNEAVOASTRĂ

- ➔ Side by side
- ➔ Manual de utilizare
- ➔ Certificat de garanție

3. INFORMAȚII PRIVIND SIGURANȚA

Pentru siguranța dumneavoastră și o utilizare corectă, înainte de a instala și a folosi aparatul pentru prima dată, citiți cu atenție acest manual de instrucțiuni, inclusiv sugestiile și avertismentele. Pentru a evita erorile inutile și accidentele, este important să vă asigurați că toate persoanele care utilizează aparatul sunt familiarizate cu modul de funcționare și cu măsurile de siguranță. Păstrați aceste instrucțiuni și asigurați-vă că vor rămâne împreună cu aparatul, dacă acesta este mutat sau vândut, astfel încât orice persoană care îl folosește pe durata de utilizare a acestuia să fie bine informată în legătură cu utilizarea sa și cu măsurile de siguranță.

Pentru garantarea siguranței persoanelor și a bunurilor, respectați măsurile de precauție specificate în cadrul prezentului manual de instrucțiuni, deoarece producătorul nu este răspunzător pentru daunele cauzate prin omisiune.

Siguranța copiilor și a altor persoane vulnerabile

Aparatul poate fi utilizat de către copii cu vârste începând de la 8 ani și de către persoane cu capacități fizice, senzoriale sau mentale reduse, cu lipsă de experiență sau cunoștințe, numai dacă acestea sunt supravegheate sau instruite în ceea ce privește utilizarea în siguranță a aparatului și dacă înțeleg pericolele pe care le implică utilizarea.

Copiii trebuie supravegheați, astfel încât aceștia să nu se joace cu aparatul.

Curățarea și întreținerea nu pot fi efectuate de către copii, cu excepția cazului în care aceștia sunt în vârstă de cel puțin 8 ani și sunt supravegheați.

Nu lăsați ambalajele la îndemâna copiilor. Pericol de asfixiere.

Pentru a evita situațiile în care copiii se pot electrocuta sau închide în interiorul aparatului, înainte de a-l arunca, scoateți ștecărul din priză, tăiați cablul de alimentare (cât mai aproape de aparat posibil) și demontați ușa aparatului.

Dacă acest aparat (care este prevăzut cu un sistem de închidere magnetic) înlocuiește un aparat mai vechi, prevăzut cu închizătoare cu arc (zăvor) pe ușă sau pe capac, înainte de a arunca aparatul vechi, asigurați-vă că închizătoarea cu arc nu mai poate fi folosită. Astfel, copiii nu vor putea rămâne blocați înăuntru.

Copiilor cu vârste începând de la 3 ani le este permis să introducă și să scoată alimente din aparatele frigorifice (această prevedere este aplicabilă numai pentru statele din Uniunea Europeană).

Măsuri generale de siguranță

AVERTISMENT! Asigurați-vă că gurile de ventilație ale carcasei aparatului sau ale corpului acestuia nu sunt obturate.

AVERTISMENT! Utilizați numai dispozitive mecanice sau mijloace de grăbire a procesului de dezghețare recomandate de către producător.

AVERTISMENT! Nu deteriorați circuitul de refrigerare.

AVERTISMENT! Agentul frigorific și gazul izolant sunt inflamabile. Dacă doriți să aruncați aparatul, apălați la un centru autorizat de eliminare a deșeurilor. Nu expuneți aparatul la foc.

AVERTISMENT! Nu folosiți alte aparate electrice (cum ar fi, de exemplu, aparatele de făcut înghețată) în interiorul compartimentelor de depozitare a alimentelor din acest aparat, decât dacă acestea sunt de tipul celor recomandate de către producător.

AVERTISMENT! Nu atingeți becul în cazul în care acesta a stat aprins pentru o perioadă îndelungată, deoarece acesta poate fi foarte fierbinte.

- Nu depozitați în acest aparat produse explozive precum spray-urile cu aerosoli inflamabili.
- Circuitul de refrigerare al aparatului conține agent frigorific R600a (izobutan), un gaz natural cu un nivel ridicat de compatibilitate cu mediul înconjurător, dar inflamabil.
- În timpul transportului și al montării aparatului, asigurați-vă că niciuna dintre componentele circuitului de refrigerare nu este deteriorată. Evitați utilizarea focului deschis și sursele de aprindere a focului. Aerisiți bine camera în care se află aparatul.
- Modificarea în orice fel a specificațiilor sau a produsului este periculoasă. Orice deteriorare a cablului de alimentare poate genera riscul de scurtcircuitare, incendiu sau electrocutare.
- Acest aparat este destinat numai uzului casnic.
 - Zonele de bucătărie din magazine, birouri și alte medii de lucru;
 - Ferme și de clienții din hoteluri, moteluri și alte medii de tip rezidențial;
 - Medii de tip hostel;
 - Aplicații de catering și alte aplicații non-retail.

AVERTISMENT! Componentele electrice (ștecărul, cablul de alimentare, compresorul) trebuie înlocuite de către un electrician calificat sau de către o persoană competentă.

AVERTISMENT! Becul furnizat împreună cu aparatul este un „bec pentru utilizare specială” și poate fi utilizat numai pentru acest aparat. Acest „bec pentru utilizare specială” nu poate fi utilizat pentru iluminatul casnic.

Informații privind siguranța

- Nu prelungiți cablul de alimentare.
- Asigurați-vă că ștecărul nu este strivit sau deteriorat de partea din spate a aparatului. În cazul în care cablul de alimentare este strivit sau deteriorat, acesta se poate supraîncălzi și poate provoca un incendiu.
- Asigurați-vă că aveți acces la ștecărul aparatului. Nu trageți de cablul de alimentare.
- Dacă priza în care trebuie introdus ștecărul este desprinsă, nu introduceți ștecărul în ea. Există riscul de electrocutare și de incendiu.
- Nu utilizați aparatul fără capacul lămpii de iluminare din interior.
- Aparatul este greu. Mutați-l cu grijă.
- Nu scoateți și nu atingeți obiecte din congelator dacă aveți mâinile umede/ude, deoarece vă puteți provoca leziuni ale pielii sau degerături.
- Evitați expunerea prelungită a aparatului la lumina directă a soarelui.
- Aparatul nu poate fi alimentat decât de la un circuit electric de curent alternativ monofazat, de 220~240V/50Hz. Dacă variațiile de tensiune din zona în care locuiește utilizatorul nu se încadrează în limitele domeniului de tensiune de mai sus, pentru siguranță, utilizați un regulator de tensiune automat AC cu o putere mai mare de 350 W. Aparatul trebuie alimentat de la o priză separată, nu de la o priză la care sunt conectate și alte aparate electrice. Ștecărul trebuie să fie compatibil cu priza cu împământare.
- Nu trageți de cablul de alimentare.

AVERTISMENT! Atunci când poziționați aparatul, asigurați-vă că nu striviți și nu deteriorați cablul de alimentare.

AVERTISMENT! Nu amplasați în spatele aparatului prize multiple sau surse de alimentare portabile.

AVERTISMENT! Becurile nu trebuie înlocuite de către utilizator! Dacă becurile se defectează, apălați la asistență specializată. Acest avertisment este valabil numai pentru frigiderule prevăzute cu lămpi de iluminare.

Agentul frigorific

Circuitul de refrigerare al aparatului conține agent frigorific R-600a (izobutan), un gaz natural cu un nivel ridicat de compatibilitate cu mediul înconjurător, dar inflamabil. În timpul transportului și al montării aparatului, asigurați-vă că niciuna dintre componentele circuitului de refrigerare nu este deteriorată. Agentul frigorific (R-600a) este inflamabil.

AVERTISMENT! Frigiderele conțin agent frigorific și gaze izolante. Agentul frigorific și gazele trebuie să fie eliminate în mod corespunzător, deoarece acestea pot provoca leziuni oculare sau se pot aprinde. Înainte de eliminare, asigurați-vă că tubulatura circuitului de refrigerare nu este deteriorată.



AVERTISMENT! Pericol de incendiu!

În cazul în care circuitul de refrigerare este deteriorat:

- Evitați utilizarea focului deschis și sursele de aprindere a focului.
- Aerisiți bine camera în care se află aparatul. Modificarea în orice fel a specificațiilor sau a produsului este periculoasă.



AVERTIZARE! În timpul utilizării, deservirii și scoaterii din funcțiune a aparatului, vă rugăm să acordați atenție simbolului din partea stângă, care este amplasat pe spatele aparatului (panoul din spate sau compresor), colorat galben sau portocaliu. Este vorba de un simbol de avertizare la incendiu. Sunt materiale inflamabile în conductele și compresorul frigiderului. Vă rugăm să țineți departe sursele de foc în timpul utilizării, service-ului și scoaterii din funcțiune.

AVERTISMENT! Nu folosiți alte aparate electrice (cum ar fi, de exemplu, aparatele de făcut înghețată) în interiorul compartimentelor de depozitare a alimentelor din acest aparat, decât dacă acestea sunt de tipul celor recomandate de către producător.

AVERTISMENT! Nu atingeți becul în cazul în care acesta a stat aprins pentru o perioadă îndelungată, deoarece acesta poate fi foarte fierbinte.

4. UTILIZARE COTIDIANĂ

Nu așezați obiecte fierbinți pe componentele din plastic ale aparatului.

Nu așezați alimente direct pe peretele posterior din interiorul aparatului.

Nu congelați din nou alimentele care s-au dezghețat.

Depozitați alimentele congelate preambalate în conformitate cu instrucțiunile producătorului alimentelor congelate.

Respectați cu strictețe recomandările producătorului acestui aparat privind depozitarea. Consultați instrucțiunile aferente.

Nu depozitați băuturi carbogazoase sau acidulate în congelator, deoarece se creează presiune asupra recipientelor, acestea putând exploda, având drept rezultat deteriorarea aparatului.

Alimentele înghețate pot cauza degerături dacă sunt consumate direct din congelator.

5. CURĂȚARE ȘI ÎNTREȚINERE

Înainte de efectuarea operațiilor de întreținere, opriți aparatul și scoateți ștecărul din priză.

Nu curățați aparatul cu obiecte din metal.

Nu folosiți obiecte ascuțite pentru a îndepărta gheața din aparat. Folosiți o racletă din plastic. 1)

Verificați cu regularitate orificiul de scurgere al aparatului. Dacă este necesar, curățați orificiul de scurgere.

Dacă orificiul de scurgere este blocat, se va strânge apă în partea de jos a aparatului. 2)

1) Dacă aparatul este prevăzut cu un compartiment de refrigerare.

2) Dacă aparatul este prevăzut cu un compartiment pentru depozitarea alimentelor proaspete.

6. INSTALARE

Atenție!

Pentru conexiunea electrică, urmați cu atenție instrucțiunile referitoare la aceasta.

Despachetați aparatul și verificați dacă este deteriorat. Dacă aparatul prezintă deteriorări, nu îl conectați la sursa de alimentare. Dacă aparatul este deteriorat, comunicați imediat acest lucru distribuitorului de la care l-ați cumpărat. În acest caz, păstrați ambalajul.

Vă recomandăm să așteptați cel puțin patru ore înainte de a conecta aparatul la sursa de alimentare, pentru ca uleiul să aibă timp să revină în compresor.

Aerul trebuie să poată circula liber în jurul aparatului. În lipsa circulației aerului, aparatul se poate supraîncălzi. Pentru a obține o ventilație adecvată, respectați instrucțiunile referitoare la montare.

Dacă este posibil, distanțierile produsului trebuie să fie orientate către un perete, pentru a evita atingerea sau prinderea părților calde (compresorul, condensatorul) și pentru a preveni eventualele arsuri.

Nu amplasați aparatul în apropierea radiatoarelor sau a aragazelor.

Asigurați-vă că aveți acces la ștecăr după montarea aparatului.

7. REPARAȚII ȘI ECONOMISIREA ENERGIEI

Reparații

Lucrările electrice necesare în vederea reparării aparatului trebuie efectuate de către un electrician calificat sau de către o persoană competentă.

Produsul trebuie reparat de către un centru de service autorizat, folosindu-se numai piese de schimb originale.

Economisirea energiei

Nu introduceți alimente fierbinți în aparat;

Nu depozitați alimentele aproape unele de celelalte, deoarece aceasta împiedică circulația aerului;

Asigurați-vă că alimentele nu ating partea din spate a compartimentului/elor;

Dacă furnizarea energiei electrice se întrerupe, nu deschideți ușa/ușile;

Nu deschideți ușa/ușile frecvent;

Nu țineți ușa/ușile deschise pentru prea mult timp;

Nu reglați termostatul la o temperatură mai redusă decât este necesar.

Pentru un consum redus de energie, toate accesoriile, cum ar fi rafturile, sertarele și rafturile de pe uși trebuie menținute în pozițiile care au fost prevăzute pentru acestea.

8. PROTEJAREA MEDIULUI ÎNCONJURĂTOR

Materiale de ambalare

Materialele marcate cu acest simbol sunt reciclabile. Aruncați ambalajele în containere speciale destinate reciclării.

Eliminarea produsului

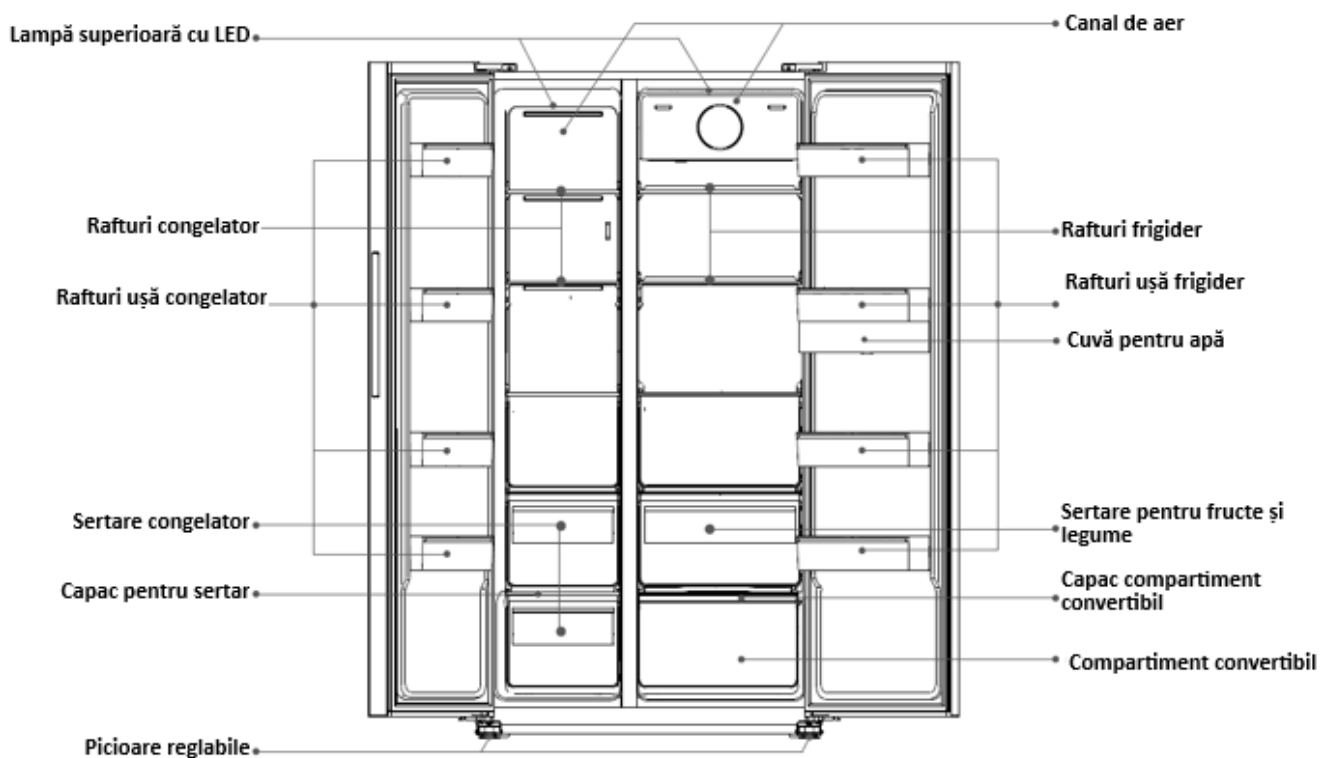
1. Deconectați ștecărul de la sursa de alimentare cu energie.

2. Tăiați cablul de alimentare și aruncați-l.

Acest aparat nu conține gaze care ar putea dăuna stratului de ozon, nici în circuitul de refrigerare, nici în materialele izolante. Aparatul nu trebuie eliminat împreună cu deșeurile menajere și cu gunoiul. Spuma izolantă conține gaze inflamabile: aparatul trebuie eliminat în conformitate cu reglementările adoptate de

autoritățile locale. Evitați deteriorarea unității de răcire, în special a schimbătorului de căldură. Simbolul ♻️ marcat pe anumite materialele folosite la fabricarea aparatului indică faptul că acestea sunt reciclabile.

9. DESCRIEREA PRODUSULUI



Ilustrația are numai caracter informativ.

10. INSTALARE

Scoaterea ușilor

Unelte necesare: Șurubelniță în cruce, șurubelniță în linie.

Asigurați-vă că aparatul este gol și deconectat de la sursa de alimentare.

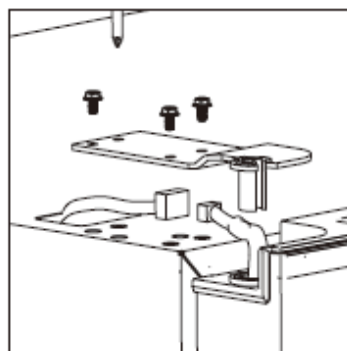
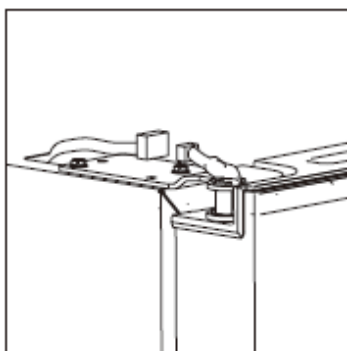
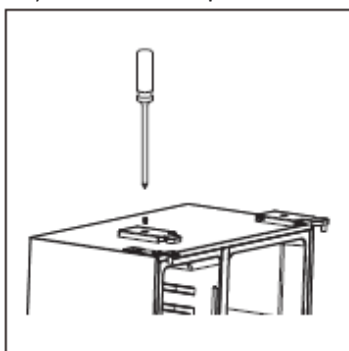
Pentru a putea scoate ușile, este necesar să înclinați aparatul către spate. Aparatul trebuie să se sprijine pe o suprafață solidă, astfel încât acesta să nu alunece în timpul procesului de inversare a sensului de deschidere a ușilor.

Toate piesele demontate trebuie păstrate în vederea reînălării ușilor.

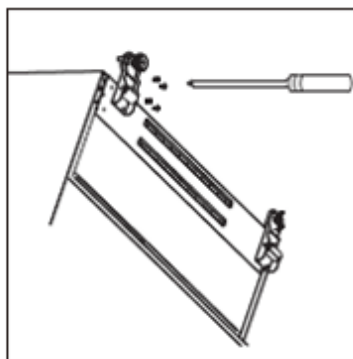
Nu așezați aparatul pe spate, deoarece acest lucru poate deteriora sistemul de refrigerare.

Se recomandă realizarea montajului de către două persoane.

1. Desfaceți capul balamalei cu ajutorul unei șurubelnițe în cruce.
2. Deconectați fasciculul de cabluri.
3. Desfaceți balamaua superioară.



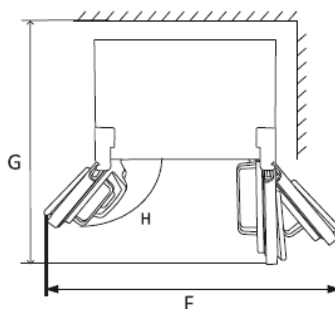
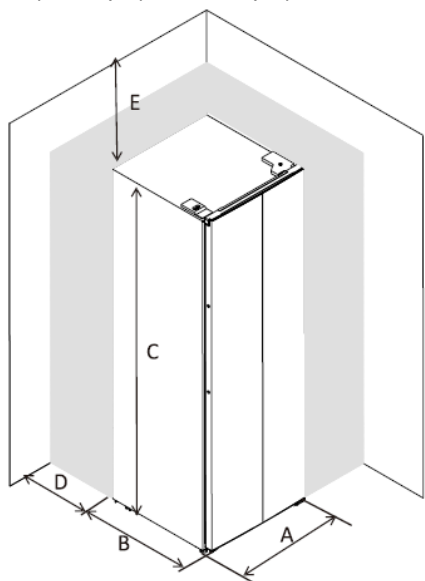
4. Ridicați ușa și așezați-o pe o suprafață moale. Scoateți cealaltă ușă prin aceeași metodă.
5. Deșurubați balamalele inferioare.
6. După poziționarea aparatului, montați ușile urmând pașii în ordine inversă.



Cerințe privind spațiul

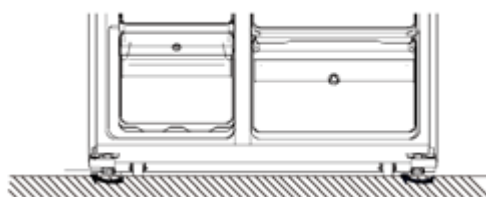
Lăsați spațiu suficient pentru deschiderea ușii.

Lăsați un spațiu de cel puțin 50 de mm în laterale și în spatele aparatului.



A	905
B	730
C	1770
D	min=50
E	min=50
F	1565
G	1220
H	140°

Echilibrarea aparatului



- Aparatul poate fi echilibrat prin reglarea picioarelor.
- Rotiți manual picioarele în sensul acelor de ceasornic pentru a le ridica.
- Rotiți manual picioarele în sens contrar acelor de ceasornic pentru a le coborî.

Poziționare

Instalați acest aparat într-un loc în care temperatura ambiantă corespunde clasei climatice indicate pe plăcuța cu informații tehnice a aparatului.

Pentru aparatele frigorifice cu clasă climatică:

- temperată extinsă: acest aparat frigorific este destinat a fi utilizat la temperaturi ambiante cuprinse între 10°C și 32°C (SN);
- temperată: acest aparat frigorific este destinat a fi utilizat la temperaturi ambiante cuprinse între 16°C și 32°C (N);
- subtropicală: acest aparat frigorific este destinat a fi utilizat la temperaturi ambiante cuprinse între 16°C și 38°C (ST);
- tropicală: acest aparat frigorific este destinat a fi utilizat la temperaturi ambiante cuprinse între 16°C și 43°C (T);

Locul instalării

Aparatul trebuie să fie amplasat departe de sursele de căldură precum caloriferele, boilerile și lumina directă a soarelui. Pentru asigurarea unei performanțe ridicate, în cazul în care aparatul este poziționat sub un corp de mobilier suspendat, distanța minimă dintre partea de sus a aparatului și corpul suspendat trebuie să fie de cel puțin 100 de mm. Totuși, în mod ideal, aparatul nu ar trebui amplasat sub corpuri de mobilier

suspendate. Pentru a amplasa aparatul cu precizie în poziție orizontală utilizați picioarele reglabile de la bază. Acest aparat frigorific nu este destinat utilizării ca aparat încorporat;

Avertisment! Trebuie să existe posibilitatea de a deconecta aparatul de la sursa de alimentare; prin urmare, ștecărul trebuie să fie accesibil după montare.

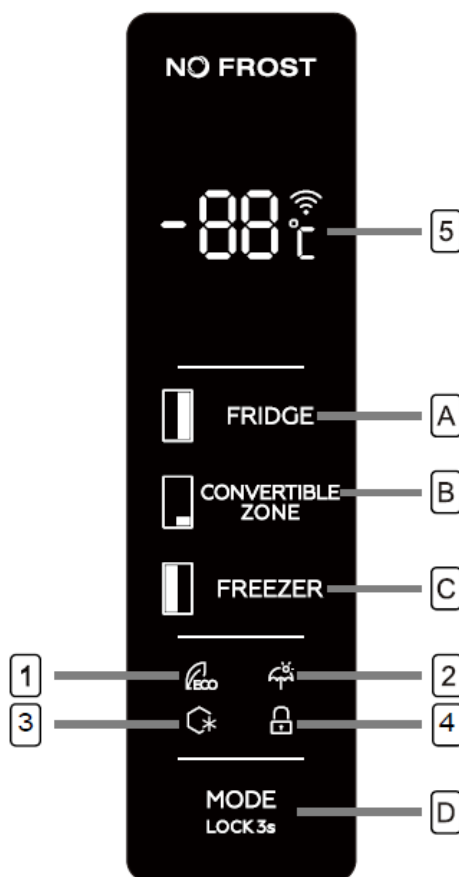
Conexiunea electrică

Înainte de a conecta aparatul, asigurați-vă că tensiunea și frecvența indicate pe plăcuța cu date tehnice corespund cu cele ale sursei de alimentare din locuința dumneavoastră. Aparatul trebuie să fie legat la pământ. În acest scop, ștecărul cablului electric este prevăzut cu un contact. Dacă priza din locuință nu este legată la pământ, conectați aparatul la o împământare separată, în conformitate cu reglementările în vigoare, după ce ați consultat un electrician calificat.

Producătorul nu își asumă nicio răspundere în cazul în care aceste măsuri de siguranță nu sunt respectate. Acest aparat este în conformitate cu Directivele C.E.E.

11. UTILIZARE COTIDIANĂ

Utilizarea panoului de comandă



Butoane

A. Apăsați pe acest buton pentru reglarea temperaturii din compartimentul de refrigerare (situat în partea dreaptă) de la 2 °C la 8 °C și pentru dezactivarea funcției de răcire (- -).

B. Apăsați pe acest buton pentru a regla temperatura zonei convertibile de la 5 °C la - 3 °C și pentru dezactivarea funcției de răcire (- -).

C – Apăsați pe acest buton pentru reglarea temperaturii din compartimentul de congelare (situat în partea stângă) de la -14 °C la -22 °C.

D. Apăsați pe acest buton pentru a comuta între modurile de funcționare **ECO, HOLIDAY, SUPER FREEZING și PERSONALIZAT** (fără simbol pe afișaj).

Apăsați și mențineți apăsat butonul „3 SEC” timp de 3 secunde și pentru a bloca celelalte trei butoane.

Apăsați butonul și mențineți-l apăsat timp de 3 secunde pentru a debloca celelalte trei butoane.

Afișajul

1. Mod ECO

Apăsați pe butonul „MODE” pentru a selecta modul „ECO”. Pictograma „ECO” se aprinde intermitent timp de 5 secunde și rămâne aprinsă.

Modul „ECO” setează o temperatură fixă de 6 °C în compartimentul de refrigerare și o temperatură de -16 °C în compartimentul de congelare.

Apăsarea butonului „FRIDGE” sau „FREEZER” nu va avea efect, dar pictograma „ECO” se va aprinde intermitent timp de trei secunde. Temperatura compartimentului convertibil poate fi reglată separat.

Dezactivarea modului „ECO”:

Dacă doriți să dezactivați modul „ECO”, apăsați pe butonul „MODE” pentru a selecta un alt mod.

2. Mod „Vacanță”

Apăsați pe butonul „MODE” pentru a selecta modul „Vacanță”. Pictograma se aprinde intermitent timp de 5 secunde și rămâne aprinsă. Temperatura va fi setată la 17 °C în compartimentul de refrigerare. Apăsarea butonului „FRIDGE” nu va avea efect, dar pictograma „Vacanță” se va aprinde intermitent timp de trei secunde, ca memento.

Temperatura compartimentului de congelare și cea a compartimentului convertibil pot fi reglate separat.

Dezactivarea modului „Vacanță”:

Dacă doriți să dezactivați modul „Vacanță”, apăsați pe butonul „MODE” pentru a selecta un alt mod.

3. Funcția Super congelare

Apăsați pe butonul „MODE” pentru a activa funcția „SUPER”. Pictograma se aprinde intermitent timp de 5 secunde și rămâne aprinsă.

Funcția Super congelare

Temperatura din compartimentul de congelare este fixă, și anume -25. Apăsarea butonului „FREEZER” nu va avea efect, dar pictograma se va aprinde intermitent timp de trei secunde, ca memento.

Temperatura compartimentului de refrigerare și cea a compartimentului convertibil pot fi reglate separat.

Funcția de Super congelare se dezactivează după cum urmează:

- dezactivare manuală.

- a fost activă mai mult de 50 de ore.

4. Simbolul LOCK se va aprinde în cazul blocării butoanelor.

5. Afișajul pentru temperatură indică temperatura setată în compartimentul de refrigerare/compartimentul convertibil/compartimentul de congelare.

Avertizarea privind deschiderea ușii

Atunci când una dintre uși este lăsată deschisă sau întredeschisă timp de aproximativ 60 de secunde, aparatul va emite un semnal sonor. Semnalul sonor va fi dezactivat odată cu închiderea ușii.


Dacă o ușă nu este bine închisă, aparatul va emite un semnal sonor la fiecare 30 de secunde, până la închiderea ușii.


Dacă ușile rămân deschise timp de 10 minute, lumina LED din interior se stinge automat.

Funcția de blocare împotriva acționării de către copii

Această funcție are scopul de a preveni acționarea aparatului de către copii.

Pentru activarea acestei funcții, apăsați și mențineți apăsat butonul LOCK 3s timp de aproximativ 3 secunde.

Indicatorul luminos  se va aprinde, indicând faptul că funcția este activă.

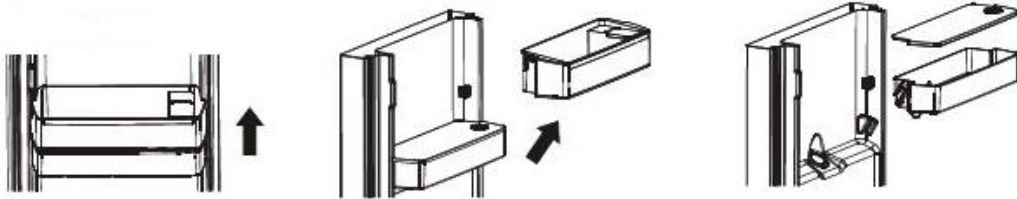
Pentru dezactivarea acestei funcții, apăsați și mențineți apăsat butonul LOCK 3s timp de aproximativ 3 secunde. Indicatorul luminos  se va aprinde, indicând faptul că funcția de blocare este dezactivată.

Utilizarea dozatorului de apă

Înainte de prima utilizare

Înainte de prima utilizare a dozatorului de apă, scoateți și curățați rezervorul de apă situat în interiorul compartimentului de refrigerare.

1. Ridicați și scoateți mai întâi raftul de deasupra rezervorului de apă, apoi scoateți rezervorul și capacul acestuia. Detașați capacul superior, apoi curățați rezervorul și capacul.



2. După curățare, montați la loc rezervorul de apă, capacul acestuia și raftul, așa cum este indicat în imaginile de mai jos.



3. Curățați clapeta dozatorului, situată pe partea exterioară a ușii frigiderului.



Alimentarea cu apă a rezervorului

1. Deschideți căpăcelul.



2. Umpleți rezervorul cu apă potabilă (cel mult 3 litri de apă).

3. Închideți căpăcelul.



Utilizarea dozatorului

Pentru a utiliza dozatorul, apăsați ușor pe clapeta acestuia, utilizând un pahar sau un alt recipient.

Pentru a opri curgerea apei, eliberați clapeta.

Atenție!

Nu puneți în rezervorul de apă alte lichide decât apă potabilă. Sucul de fructe, băuturile carbogazoase, băuturile alcoolice etc. nu sunt potrivite pentru utilizare cu dozatorul de apă. În cazul umplerii rezervorului

cu alte lichide decât apă, acesta poate funcționa necorespunzător și poate fi deteriorat iremediabil. De asemenea, anumite substanțe prezente în aceste băuturi pot deteriora rezervorul de apă. Utilizați numai apă potabilă curată. Rezervorul are o capacitate de 3 litri. Nu îl umpleți excesiv.

12. PRIMA UTILIZARE

Curățarea interiorului

Înainte de a folosi aparatul pentru prima dată, spălați interiorul și toate accesoriile interne cu apă caldă și cu detergent neutru, pentru a înlătura mirosul specific de produs nou, apoi uscați-le bine. **IMPORTANT!** Nu folosiți detergenți sau prafuri abrazive, deoarece acestea vor deteriora suprafețele.

Dezghețarea

Înainte de a fi utilizate, alimentele congelate pot fi dezghețate în compartimentul de refrigerare sau la temperatura camerei, în funcție de timpul de care dispuneți pentru această operație. Bucățiile mici pot fi gătite congelate, luate direct din congelator. În acest caz, durata de gătire va fi mai mare.

Cuburi de gheață

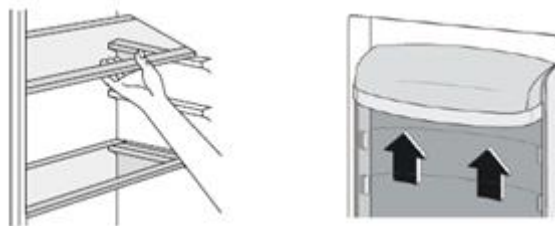
Acest aparat poate fi prevăzut cu una sau mai multe tăvi destinate producerii cuburilor de gheață.

Rafturi detașabile

Pereții frigiderului sunt prevăzuți cu ghidaje de suport, astfel încât rafturile să poată fi poziționate în funcție de preferințe.

Poziționarea rafturilor de pe uși

Pentru facilitarea depozitării ambalajelor de alimente de diferite dimensiuni, rafturile de pe uși pot fi poziționate la diferite înălțimi. Pentru efectuarea acestor operații, procedați după cum urmează: trageți ușor raftul în direcția săgeților până acesta iese, apoi repositionați-l în funcție de preferințe.



Utilizare zilnică

Puneți diferitele tipuri de alimente în compartimente diferite, așa cum este indicat în tabelul de mai jos:

Compartimentele frigiderului	Tipuri de alimente
Rafturi pe ușa compartimentului de refrigerare	Alimente care conțin conservanți naturali, precum gemuri, sucuri, băuturi, condimente. Nu depozitați alimente care se alterează repede.
Compartiment pentru legume	Fructele, ierburile și legumele trebuie puse separat în sertarul pentru legume și fructe. Nu depozitați în frigider banane, ceapă, cartofi sau usturoi

Raft frigider	Lactate, ouă, prăjituri, paste, pizza Alimente care nu necesită preparare, alimente gata pentru consum, mezeluri, mâncare rămasă.
Compartiment convertibil	3°C~5°C: fructe și legume proaspete 0°C~2°C: băuturi, bere, vin roșu -3°C~-1°C: refrigerarea alimentelor cum ar fi carnea crudă, peștele, fructele de mare, găluștele etc. pentru depozitare pe termen scurt.
Compartimentul de congelare	Pentru alimente care pot fi depozitate pe termen lung. Fructe de mare, pește, carne, găluște, produse de patiserie congelate.

Recomandări privind setarea temperaturii

Recomandări privind setarea temperaturii		
Temperatura mediului ambiant	Setarea temperaturii	
Vara (Peste 38°C)		Frigider setat la 2°C
		Congelator setat la -20°C
Normal		Frigider setat la 4°C
		Congelator setat la -18°C
Iarna (sub 16°C)		Frigider setat la 5°C
		Congelator setat la -18°C

Informațiile de mai sus oferă utilizatorilor recomandări privind setarea temperaturii.

Durate de depozitare a alimentelor

- În cazul respectării recomandărilor privind setarea temperaturii, durata maximă de depozitare a alimentelor în compartimentul de refrigerare este de 3 zile.
- În cazul respectării recomandărilor privind setarea temperaturii, durata maximă de depozitare a alimentelor în compartimentul de congelare este de 1 lună.
- Durata maximă de depozitare a alimentelor poate fi mai redusă în cazul utilizării altor setări.

Recomandări și sfaturi utile

Pentru a obține o congelare cât mai eficientă, iată câteva recomandări importante:

- Cantitatea maximă de alimente ce pot fi congelate în 24 de ore este specificată pe plăcuța cu date tehnice;
- Procesul de congelare durează 24 de ore. În acest interval de timp, nu mai pot fi adăugate alte alimente în compartimentul de congelare;
- Congelați numai alimente de calitate superioară, proaspete și bine curățate;
- Pregătiți porții mici de alimente, care să poată fi congelate rapid și complet, pentru ca apoi să puteți dezgheța numai cantitatea necesară;
- Înfășurați alimentele în folie de aluminiu sau polietilenă și asigurați-vă că pachetele sunt etanșe;
- Asigurați-vă că alimentele proaspete, necongelate nu intră în contact cu cele deja congelate, evitând astfel creșterea temperaturii acestora din urmă;
- Alimentele fără grăsime se păstrează mai bine și pentru o perioadă mai îndelungată decât cele cu grăsimi; sarea reduce perioada de păstrare a alimentelor;
- Dacă sunt consumate imediat după scoaterea din congelator, înghețatele pot cauza leziuni ale pielii și degerături;
- Vă recomandăm să notați data congelării pe fiecare pachet cu alimente, pentru a putea ține evidența perioadei de conservare.

Recomandări privind conservarea alimentelor congelate

Pentru a obține rezultate cât mai eficiente cu acest aparat, vă recomandăm următoarele:

- asigurați-vă că alimentele congelate au fost păstrate corespunzător în magazin;
- asigurați-vă că alimentele congelate sunt transferate din magazin în congelator cât mai repede posibil;
- nu deschideți ușa prea des și nu o lăsați deschisă mai mult decât este necesar;
- după dezghețare, alimentele se deteriorează rapid și nu pot fi recongelate; nu depășiți perioada de păstrare indicată de producătorul alimentelor.

Recomandări privind refrigerarea alimentelor proaspete

Pentru obținerea unor performanțe optime:

- Nu depozitați în aparat mâncare caldă sau lichide care se evaporă.
- Acoperiți sau împachetați alimentele, în special în cazul în care acestea emit mirosuri puternice.

Pentru a evita contaminarea alimentelor, respectați instrucțiunile de mai jos:

- Dacă ușa aparatului este lăsată deschisă pe perioade lungi, temperatura din compartimentele aparatului crește semnificativ.
- Curățați periodic suprafețele care pot intra în contact cu alimentele, precum și sistemele de scurgere ale aparatului.
- Păstrați carnea crudă și peștele proaspăt în recipiente corespunzătoare, astfel încât produsele să nu intre în contact cu alte alimente.
- Compartimentele de congelare cu două stele sunt potrivite pentru păstrarea alimentelor precongelate, păstrarea sau prepararea înghețatei și producerea cuburilor de gheață.
- Compartimentele cu una, două și trei stele nu sunt potrivite pentru congelarea alimentelor proaspete.

Notă: Vă rugăm să păstrați alimentele în compartimentele corespunzătoare și la temperaturile de depozitare recomandate.

- Dacă aparatul frigorific este lăsat gol pe perioade lungi, opriți-l, decongelați-l, curățați-l, ștergeți-l bine și lăsați-i ușa deschisă, pentru a preveni formarea mușgaiului în interiorul acestuia.

Curățarea dozatoarelor de apă (în cazul produselor prevăzute cu dozator de apă): Curățați rezervoarele de apă în caz de neutilizare a dozatoarelor timp de 48 de ore; apa din sistemele racordate la o sursă de alimentare cu apă trebuie extrasă în caz de neutilizare a sistemelor timp de 5 zile.

Nr. de ordine	Tipul compartimentului	Temperatură de depozitare recomandată [°C]	Alimente
1	Refrigerare	+2≤+6	Ouăle, alimentele gătite, alimentele ambalate, fructele și legumele, lactatele, prăjiturile și băuturile nu sunt potrivite pentru congelare.
2	(***)*-Congelare	≤-18	Fructele de mare (peștele, creveții, crustaceele), produsele acvatice și cele din carne sunt potrivite pentru congelare (se recomandă depozitarea acestora timp de 3 luni; cu cât durata de depozitare este mai mare, cu atât gustul și proprietățile nutritive se pierd).
3	***-Congelare	≤-18	Fructele de mare (peștele, creveții, crustaceele), produsele acvatice și cele din carne nu sunt potrivite pentru congelare (se recomandă depozitarea acestora timp de 3 luni; cu cât durata de depozitare este mai mare, cu atât gustul și proprietățile nutritive se pierd).
4	** - Congelare	≤-12	Fructele de mare (peștele, creveții, crustaceele), produsele acvatice și cele din carne nu sunt potrivite pentru congelare (se recomandă depozitarea acestora timp de 2 luni; cu cât durata de depozitare este mai mare, cu atât gustul și proprietățile nutritive se pierd).
5	*-Congelare	≤-6	Fructele de mare (peștele, creveții, crustaceele), produsele acvatice și cele din carne nu sunt potrivite pentru congelare (se recomandă depozitarea acestora timp de 1 lună; cu cât durata de depozitare este mai mare, cu atât gustul și proprietățile nutritive se pierd).
6	Fără stele	-6≤0	Carne proaspătă de porc, vită și pui, pește proaspăt, anumite alimente prelucrate și ambalate etc. (se recomandă să fie consumate în aceeași zi, de preferință în termen de cel mult 3 zile) Alimente prelucrate, ambalate parțial (alimente necongelabile)
7	Răcire	-2≤+3	Carne proaspătă/congelată de porc, vită și pui, produse acvatice etc. (aceste alimente pot fi păstrate cel mult 7 zile la temperaturi sub 0 °C; în cazul păstrării la temperaturi care depășesc 0 °C, se recomandă să fie consumate în aceeași zi, de preferință în termen de cel mult 2 zile) Fructe de mare (aceste alimente pot fi păstrate cel mult 15 zile la temperaturi sub 0 °C; nu se recomandă păstrarea acestora la temperaturi care depășesc 0 °C)

8	Alimente proaspete	0≤+4	Carne proaspătă de porc, vită și pui, mâncare gătită etc. (se recomandă să fie consumate în aceeași zi, de preferință în termen de cel mult 3 zile)
9	Vin	+5≤+20	vin roșu, vin alb, vin spumant etc.

Recomandări privind refrigerarea

Sfaturi utile:

- Carnea (de toate tipurile) se împachetează în folie de polietilenă și se așază pe raftul din sticlă situat deasupra sertarului pentru legume și fructe.
- Pentru siguranță, depozitați carnea în acest mod numai timp de o zi sau cel mult două.
- Alimentele gătite, mezelurile etc.: acestea trebuie acoperite și așezate pe orice raft.
- Fructele și legumele: acestea trebuie curățate bine și așezate în sertarele destinate acestora.
- Unt și brânzeturi: acestea trebuie așezate în recipiente speciale închise ermetic sau înfășurate în folie din aluminiu sau în punzi de polietilenă cât mai etanșe.
- Sticle de lapte: acestea trebuie prevăzute cu capac și depozitate în rafturile de pe ușă.
- În cazul în care nu sunt ambalate, bananele, cartofii, ceapa și usturoiul nu trebuie păstrate la frigider.

13. CURĂȚARE

Din motive de igienă, interiorul aparatului și accesoriile interne trebuie să fie curățate în mod regulat.

Atenție! În timpul curățării, aparatul trebuie să fie deconectat de la sursa de alimentare cu energie electrică. Pericol de electrocutare! Înainte de a curăța aparatul, opriți-l și scoateți ștecărul din priză sau întrerupeți circuitul electric general al locuinței. Nu curățați aparatul cu un dispozitiv de curățare cu abur. Pericol de electrocutare! Umezeala se poate acumula în componentele electrice. Aburii fierbinți pot deteriora componentele din plastic. Înainte de a repune aparatul în funcțiune, asigurați-vă că acesta este uscat.

Atenție! Uleiurile eterice și solvenții organici (sucul de lămâie sau sucul din coaja de portocală, acidul butiric, substanțele de curățat care conțin acid acetic) pot ataca elementele din plastic ale aparatului.

- Nu lăsați substanțe de acest tip să intre în contact cu piesele aparatului.
- Nu folosiți substanțe de curățat abrazive.
- Scoateți alimentele din congelator. Depozitați-le într-un loc răcoros și acoperiți-le bine.
- Opriți aparatul și scoateți ștecărul din priză sau întrerupeți circuitul electric general din locuință.
- Curățați aparatul și accesoriile interne cu o lavetă și apă caldă. După curățarea aparatului, clătiți-l cu apă curată și ștergeți-l cu o lavetă uscată.
- După ce toate componentele sunt din nou uscate, puteți repune aparatul în funcțiune.

14. DEPANARE

Atenție! Înainte de a remedia defecțiunile scoateți ștecărul din priză. Problemele tehnice care nu sunt prezentate în acest manual pot fi remediate numai de către un electrician calificat sau de către o persoană competentă.

Atenție! În timpul utilizării normale, se pot auzi unele sunete (compresorul, circulația agentului de răcire).

Problemă	Cauză posibilă	Soluție
Aparatul nu funcționează	Ștecărul nu este introdus corect în priză.	Introduceți ștecărul în priză.
	Siguranța s-a ars sau este defectă.	Verificați siguranța. Dacă este necesar, înlocuiți-o.
	Priza este defectă.	Defecțiunile sursei de alimentare cu energie electrică trebuie remediate de către un electrician.
Alimentele sunt prea calde.	Temperatura nu este reglată corect.	Vă rugăm să citiți capitolul privind setarea temperaturii.
	Ușa a fost lăsată deschisă pentru o perioadă îndelungată.	Nu țineți ușa deschisă mai mult decât este necesar.
	În ultimele 24 de ore, au fost introduse în aparat alimente calde în cantitate mare.	Rotiți temporar butonul regulatorului la o poziție superioară.
	Aparatul se află lângă o sursă de căldură.	Vă rugăm să citiți capitolul privind locul instalării aparatului.
Aparatul răcește prea mult.	Temperatura setată este prea scăzută.	Rotiți temporar butonul de reglare a temperaturii către o poziție inferioară.
Zgomote neobișnuite	Aparatul nu este stabil.	Reglați picioarele
	Aparatul atinge peretele sau alte obiecte.	Mutați puțin aparatul.
	O componentă (de exemplu, o conductă a aparatului) atinge o altă piesă a aparatului sau peretele.	Dacă este necesar, îndoțiți cu atenție componenta, astfel încât aceasta să nu mai atingă nimic.
Acumulare de gheata pe garnitura ușii	Garnitura ușii nu este etanșă	Încălziți secțiunile garniturii ușii, cu un uscător de păr (pe o setare rece). În același timp, reasezați manual garnitura ușii, astfel încât să se etanșeze.
Pereții laterali ai aparatului sunt fierbinți.	Acest lucru este normal. Schimbătorul de căldură este situat în pereții laterali.	Dacă este necesar, utilizați mănuși de protecție.

SERVICE ȘI ASISTENȚĂ PENTRU CLIEȚI

Utilizați numai piese de schimb originale.

Când contactați centrul nostru de service autorizat, asigurați-vă că aveți la îndemână următoarele informații: Denumirea modelului și numărul de serie.

Informațiile pot fi găsite pe plăcuța cu date tehnice. Acestea pot suferi modificări fără o notificare prealabilă.

DATE TEHNICE

Informațiile tehnice se află pe plăcuța cu date tehnice a aparatului și pe eticheta energetică.

Codul QR de pe eticheta energetică furnizată împreună cu aparatul oferă un link web către informațiile din baza de date EPREL cu privire la performanțele aparatului.

Păstrați eticheta energetică pentru consultări ulterioare, împreună cu manualul de utilizare și cu toate celelalte documente furnizate împreună cu acest aparat.

De asemenea, puteți găsi aceleași informații în baza de date EPREL, folosind link-ul <https://eprel.ec.europa.eu> și denumirea modelului și numărul de serie al produsului, pe care le găsiți pe plăcuța cu date tehnice a aparatului.

Pentru a accesa informațiile despre produsul Dvs în portalul EPREL, puteți scana codurile de mai jos:



Vă mulțumim pentru achiziționarea acestui produs! Dacă aveți nevoie de asistență în ceea ce privește produsul dumneavoastră, vizitați site-ul nostru web utilizând linkurile de mai jos:

Get User manuals: <https://www.heinner.ro>

Get Service information: <https://www.heinner.ro>



MASURI PENTRU PROTECTIA MEDIULUI

Va informam ca persoanele fizice au urmatoarele obligatii prin legislatia specifica privind protectia mediului si regimul deseurilor:

- Deseurile de echipamente electrice si electronice (DEEE), pot contine substante periculoase pentru mediu si sanatatea umana. Conform OUG 5/2015, exista obligativitatea predarii acestora, pentru tratarea corespunzatoare si valorificarea componentelor reciclabile. Societatea Network One Distribution S.R.L. este platitoare de taxa de "timbru verde" pentru fiecare Echipament Electric si Electronic (EEE) pe care il pune pe piata. Acest cost asigura tratarea ulterioara a echipamentelor uzate colectate. Din acest motiv, odata ce devine deseu, produsul EEE poate fi predat gratuit operatorului Dvs. de salubritate, la magazine atunci cand achizitionati alt echipament similar, sistemul "unul la unu" sau la punctul de colectare organizat de Primaria Sectorului / localitatii Dvs.
- Simbolul (marcajul) aplicat produselor, care indica faptul ca deseurile DEEE, bateriile si acumulatorii - fac obiectul unei colectari separate, il reprezinta o pubela barata cu o cruce.

**Aceste masuri vor ajuta la protejarea mediului**

Societatea Network One Distribution S.R.L. este inregistrata in Registrul de punere pe piata a echipamentelor electrice si electronice, avand numarul de inregistrare: RO-2016-03-EEE-0201-IV. De asemenea, au fost intocmite si sunt gestionate: Registrul de Retragere EEE si Registrul de Rechemare EEE, in conformitate cu HG 322/2013. Totodata societatea este inregistrata in Registrul de punere pe piata a bateriilor, avand numarul de inregistrare: RO-2011-03-B&A-0283.

Conformitatea cu directiva RoHS: Produsul pe care l-ați cumpărat este conform cu Directiva RoHS UE (2011/65/UE). Nu conține materialele dăunătoare și interzise specificate în Directivă.

Va multumim ca participati alaturi de noi la protejarea mediului si a sanatatii umane!



HEINNER este marcă înregistrată a companiei **Network One Distribution SRL**. Celelalte branduri și denumirile produselor sunt mărci de comerț sau mărci de comerț înregistrate ale respectivilor deținători.

Nicio parte a specificațiilor nu poate fi reprodusă, sub nicio formă și prin niciun mijloc, nici utilizată pentru obținerea unor derivate precum traduceri, transformări sau adaptări, fără consimțământul prealabil al companiei NETWORK ONE DISTRIBUTION.

Copyright © 2013 Network One Distribution. Toate drepturile rezervate.

www.heinner.com, <http://www.nod.ro>

<http://www.heinner.com>, <http://www.nod.ro>



Acest produs este proiectat și realizat în conformitate cu standardele și normele Comunității Europene.



Importator: **Network One Distribution**

Str. Marcel Iancu, nr. 3-5, București, România

Tel: +40 21 211 18 56, www.heinner.com, www.nod.ro

SIDE BY SIDE

Модел:

HSBS-HM592NFDXWDE++



- Общ капацитет: 592 л.
- Енергиен клас: E

HEINER

1. ВЪВЕДЕНИЕ

Моля прочетете внимателно инструкциите и запазете наръчника за бъдещи справки. Този наръчник има за цел да Ви предостави всички необходими инструкции по отношение на инсталирането, използването и поддържането на уреда. Преди инсталиране и използване на уреда, с цел правилна и безопасна употреба на уреда, моля прочетете внимателно този наръчник с инструкции.

2. СЪДЪРЖАНИЕ НА ВАШИЯ ПАКЕТ

- ➔ Side by side
- ➔ Наръчник за употреба
- ➔ Сертификат за гаранция

3. ПРЕДУПРЕЖДЕНИЯ ОТНОСНО БЕЗОПАСНОСТТА

За Вашата безопасност и за правилна употреба, преди да инсталирате и използвате устройството за първи път, прочетете внимателно този наръчник за потребителя, включително препоръките и предупрежденията. За да се избегнат излишни грешки и злополуки е много важно да се уверите, че всички хора, които използват устройството са запознати с начина на експлоатация и мерките за безопасност. Запазете тези инструкции и се уверете, че ще останат заедно с уреда, ако той бъде преместен или продаден, така че всеки, който го използва в срок на неговата експлоатация да бъде добре информиран във връзка с неговата употреба и с мерките за сигурност.

За безопасност на живота и имуществото, спазвайте разпоредбите в този наръчник за потребителя, тъй като производителя не носи отговорност за щетите причинени поради пропуски.

Безопасност за деца и други уязвими лица

Уредът може да се използва от деца на възраст от 8 години и от лица с намалени физически, сетивни или умствени възможности, които нямат опит или познания само, ако са наблюдавани или обучени относно безопасната употреба на уреда и, ако разбират опасностите, свързани с употребата.

Децата трябва да бъдат под наблюдение, така че да не си играят с уреда.

Почистването и поддръжката, не могат да се извършват от деца, освен ако те са на поне 8 годишна възраст и са под наблюдение.

Не оставяйте опаковките на достъпни места за деца. Опасност от задушаване.

За да избегнете ситуации, в които децата могат да пострадат от токов удар или да се затворят вътре в устройството, преди да го изхвърлите, изключете щепсела от контакта, отрежете охранващия кабел (възможно най-близо до устройството) и премахнете вратата на уреда.

Ако това устройство (което е снабдено с магнитна система за затваряне) заменя по-стар уред, снабден с пружинно затваряне (клипс) на вратата или на капака, преди да изхвърлите старото устройство се уверете, че пружинното затваряне не може да се използва повече. По този начин децата не могат да останат блокирани вътре.

Децата на възраст над 3 години имат право да поставят и изваждат храни от хладилните уреди (тази разпоредба е приложима само за страните от Европейския съюз).

Общи мерки за безопасност

ПРЕДУПРЕЖДЕНИЕ! Уверете се, че отворите за проветрение върху корпуса на уреда или върху неговото тяло не са запушени.

ПРЕДУПРЕЖДЕНИЕ! Не използвайте механични устройства или други средства за ускоряване на процеса за размразяване освен тези, които са препоръчани от производителя.

ПРЕДУПРЕЖДЕНИЕ! Не повреждайте мрежата на хладилния агент.

ПРЕДУПРЕЖДЕНИЕ! Не използвайте други електрически устройства (като, например, машини за сладолед) вътре в отделенията за съхранение на хранителните продукти на това устройство, освен ако не са от препоръчания от производителя вид.

ПРЕДУПРЕЖДЕНИЕ! Не докосвайте лампата в случай, че е останала светната за дълго време, защото може да бъде много гореща.

- Не съхранявайте в това устройство взривни вещества, като аерозолни спрейове със запалима течност.
- Хладилната верига на устройството съдържа охладителен агент R600a (изобутан), природен газ с висока степен на съвместимост с околната среда, но запалим.
- По време на транспортирането и монтажа на устройството се уверете, че нито един от компонентите на хладилната верига не е повреден.
- Избягвайте употребата на открит пламък и източници за запалване. Проветрете добре стаята, в която се намира устройството.
- Всякаква промяна на спецификациите или на продукта е опасна. Всяка повреда на захранващият кабел може да създаде риск от късо съединение, пожар или токов удар.
- Този уред е предназначен за използване в домакинството и подобни приложения, като например:
 - кухненски помещения за персонала в магазини, офиси и други работни помещения;
 - ферми и от клиенти в хотели, мотели и други жилищни помещения;
 - места за настаняване и закуска;
 - кетъринг и подобни приложения, които не са свързани с търговията на дребно.

ПРЕДУПРЕЖДЕНИЕ! Електрическите компоненти (щепсела, захранващия кабел, компресора) трябва да бъдат заменени от квалифициран електротехник или от компетентно лице.

ПРЕДУПРЕЖДЕНИЕ! Лампата, доставена с устройството е „лампа за специално използване“ и може да бъде използвана само за този уред. Тази „лампа за специално използване“ не може да бъде използвана за битово осветление.

Предупреждения относно безопасността

- Не удължавайте захранващият кабел.
- Уверете се, че щепселът не е смачкан или повреден от задната страна на устройството. В случай, че захранващият кабел е смачкан или повреден, той може да прегрее и да причини пожар.
- Уверете се, че имате достъп до щепсела на устройството. Не дърпайте захранващият кабел.
- Ако контакта, в който трябва да се включи щепсела е разхлабен, не включвайте щепсела в него. Съществува риск от токов удар и пожар.
- Не употребявайте устройството без капак на лампата за вътрешно осветление.
- Устройството е тежко. Премествайте го внимателно.
- Не изваждайте и не докосвайте предмети от фризера, ако ръцете Ви са влажни / мокри, защото това може да причини увреждания на кожата или измръзване.
- Избягвайте продължителното излагане на устройството на пряка слънчева светлина.
- Не дърпайте захранващият кабел.
- Уредът може да се захранва само от електрически кръг с монофазен променлив ток 220-240V~/50Hz. Ако промените в напрежението в зоната, в която живее потребителят, не попадат в границите на диапазона на напрежение по-горе, за безопасност, използвайте автоматичен регулатор на напрежението AC с мощност по-голяма от 350 W. Уредът трябва да се захранва от отделен контакт, а не от контакт, към който са свързани и други електрически уреди. Щепселът трябва да е съвместим с контакта за заземяване.

ПРЕДУПРЕЖДЕНИЕ! Хладилният агент и изолационният газ са запалими. Елиминирайте уреда само чрез депониране в оторизиран център за елиминиране на отпадъци. Не излагайте уреда на огън.

ПРЕДУПРЕЖДЕНИЕ! Когато позиционирате уреда, уверете се, че не сте смачкали или повредили захранващия кабел.

ПРЕДУПРЕЖДЕНИЕ! Не поставяйте зад уреда разклонители за контакт или преносими източници на захранване.

ПРЕДУПРЕЖДЕНИЕ! Крушките не трябва да се сменят от потребителя! Ако крушките се повредят, обърнете се към специализиран сервиз. Това предупреждение е валидно само за хладилници, оборудвани с осветителни лампи.

Хладилен агент

Хладилната верига на устройството съдържа охладителен агент R-600a (изобутан), природен газ с висока степен на съвместимост с околната среда, но запалим. По време на транспортирането и монтажа на устройството се уверете, че нито един от компонентите на хладилната верига не е повреден. Хладилният агент (R-600a) е запалим.

ПРЕДУПРЕЖДЕНИЕ! Хладилниците съдържат хладилен агент и изолационни газове. Хладилният агент и газовете трябва да бъдат обезвредени по съответстващ начин, защото могат да предизвикат очни наранявания или могат да се запалят. Преди обезвреждане, уверете се, че системата от тръбопроводи на охлаждащия кръг не е повредена.



ВНИМАНИЕ! ОПАСНОСТ ОТ ПОЖАР!

Ако охладителната верига е повредена:

Избягвайте употребата на открит пламък и източници за запалване.

Проветрете добре стаята, в която се намира устройството. Всякаква промяна на спецификациите или на продукта е опасна.



ВНИМАНИЕ! По време на ползване, обслужване и изхвърляне. Туред, моля обърнете внимание на символа, подобен на лявата, който е разположен отзад на уреда (задан панел или компресор) и с жълт или оранжев цвят. Това е риск от предупредителен символ за пожар. Има запалими материали тръби за хладилен агент и компресор. Моля, бъдете далеч от източници на огън по време на използване, сервиз и изхвърляне.

ПРЕДУПРЕЖДЕНИЕ! Не използвайте други електрически устройства (като, например, машини за сладолед) вътре в отделенията за съхранение на хранителните продукти на това устройство, освен ако не са от препоръчания от производителя вид.

ПРЕДУПРЕЖДЕНИЕ! Не докосвайте лампата в случай, че е останала светната за дълго време, защото може да бъде много гореща.

4. ЕЖЕДНЕВНА УПОТРЕБА

Не поставяйте горещи предмети върху пластмасовите компоненти на устройството.

Не поставяйте храни директно до задната стена във вътрешността на уреда.

Не замразявайте повторно размразени храни.

Съхранявайте опакованите замразени храни в съответствие с инструкциите на производителя на замразените храни.

Спазвайте стриктно препоръките за съхранение от страна на производителя на това устройство. Вижте съответните указания.

Не съхранявайте газирани напитки във фризера, защото се създава налягане върху съдовете, които могат да експлодират, което води до повреда на устройството.

Замразените храни могат да предизвикат измръзване, ако се консумират директно от фризера.

5. ПОЧИСТВАНЕ И ПОДДРЪЖКА

Преди мерките за поддръжка, изключете устройството и извадете щепсела от контакта.

Не почиствайте устройството с метални предмети.

Не използвайте остри предмети за отстраняване на леда от устройството. Използвайте пластмасова стъргалка.1)

Проверявайте редовно дренажния отвор на устройството. Ако е необходимо, почистете дренажния отвор. Ако дренажния отвор е запушен, ще се събере вода в долната част на устройството.2)

- 1) Ако устройството е снабдено с отделение за замразяване.
- 2) Ако устройството е снабдено с отделение за пресни храни.

6. ИНСТАЛИРАНЕ

Внимание!

За свързване към електрическата мрежа, следвайте внимателно инструкциите.

Разопаковайте устройството и проверете за повреди. Ако уреда е повреден, не го свързвайте към източника за захранване. Ако устройството е повредено, незабавно съобщете това на търговеца, от който сте го закупили. В такъв случай запазете опаковката.

Препоръчваме Ви да изчакате най-малко четири часа, преди да свържете устройството към електрическата мрежа, за да може маслото да има време да се върне в компресора.

Въздухът трябва да може да се движи свободно около устройството. Без тази вентилация, уреда може да прегрее. За да получите подходяща вентилация спазвайте инструкциите за инсталиране.

Ако е възможно, ограничителите на продукта трябва да бъдат насочени към стената, за да се избегне докосването или хващането на горещите части (компресор, кондензатор) и, за да предотвратите евентуални изгаряния.

Не поставяйте устройството близо до радиатори или готварски печки.

Уверете се, че имате достъп до щепсела, след инсталиране на устройството.

7. РЕМОНТИ И СПЕСТЯВАНЕ НА ЕЛЕКТРОЕНЕРГИЯ

Ремонти

Електрическите дейности, необходими за ремонт на устройството трябва да бъдат извършени от квалифициран електротехник или от компетентно лице.

Продуктът трябва да бъде ремонтиран от оторизиран сервизен център, като се използват само оригинални резервни части.

Съвети за пестене на енергия

Не поставяйте топла храна в уреда;

Не съхранявайте храните една до друга, защото затрудняват въздушната циркулация;

Уверете се, че храните не докосват задната страна на отделениято/отделенията;

Ако доставянето на електроенергия бъде прекъснато, не отваряйте вратата/вратите;

Не отваряйте често вратата/вратите;

Не оставяйте вратата/вратите отворени за прекалено дълго време;

Не настройвайте термостата на по-ниска температура, отколкото е необходимо.

Някои аксесоари, като чекмеджета, могат да бъдат отстранени, за да се получи повече място за съхранение и ниска консумация на енергия.

За ниска консумация на енергия, всички аксесоари, като рафтове, чекмеджета и рафтове на вратите, трябва да се държат в предвидените за тях позиции.


8. ОПАЗВАНЕ НА ОКОЛНАТА СРЕДА

Опаковъчни материали

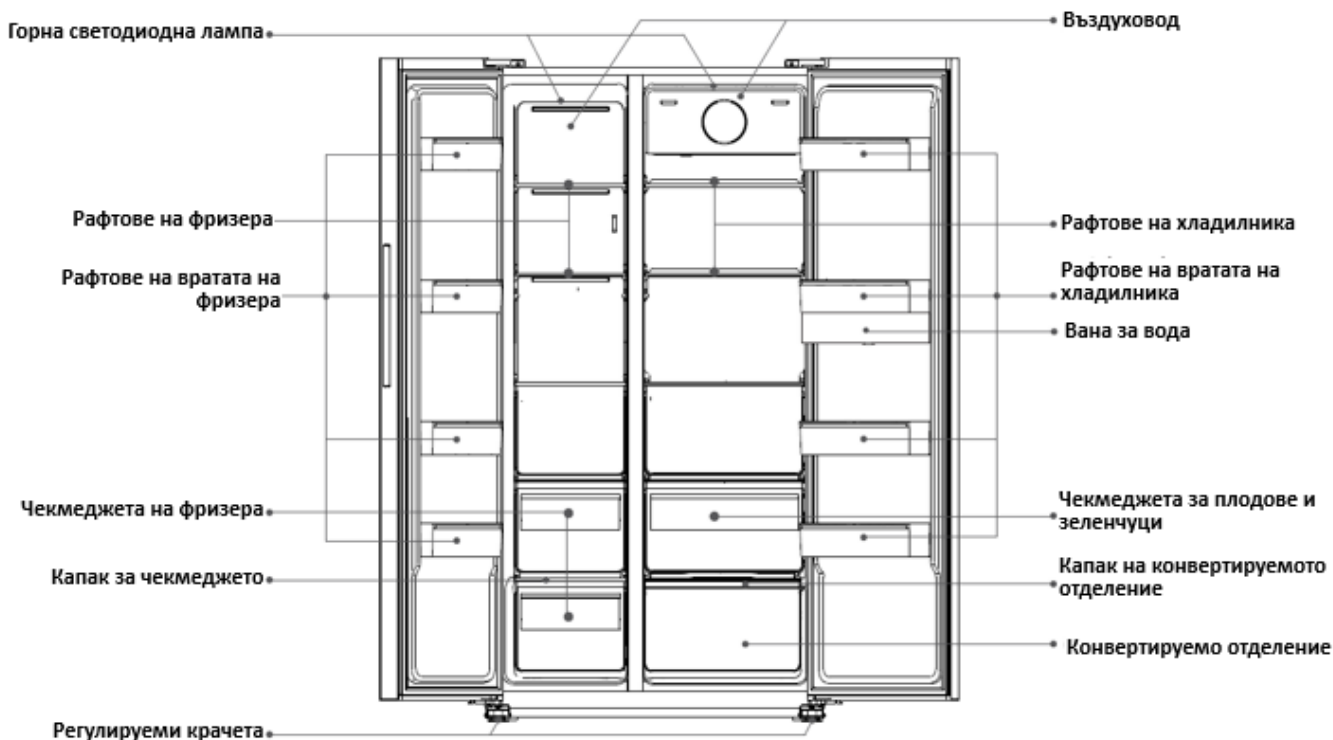
Материалите обозначени с този символ могат да бъдат рециклирани. Изхвърляйте опаковките в специални контейнери за рециклиране.

Хвърляне на устройството

1. Изключете щепсела от източника за захранване с енергия.
2. Отрежете захранващият кабел и го изхвърлете.

Това устройство не съдържа газове, които биха могли да навредят на озоновия слой, нито в охладителната верига, нито в изолационните материали. Устройството не трябва да се изхвърля заедно с битовите отпадъци и боклук. Изолационната пяна съдържа запалими газове: устройството трябва да се изхвърля в съответствие с разпоредбите, приети от местните власти. Избягвайте повреди на охладителния блок, по-специално на топлообменника. Символът , отбелязан на някои материали, използвани при производството на устройството показва, че те могат да се рециклират.

9. ОПИСАНИЕ НА ПРОДУКТА



Горното изображение служи само за информация. Реалният продукт може да е различен.

10. ИНСТАЛИРАНЕ

Изваждане на вратите

Необходими инструменти: кръстата отвертка, права отвертка.

Уверете се, че уредът е празен и е изключен от източника за захранване.

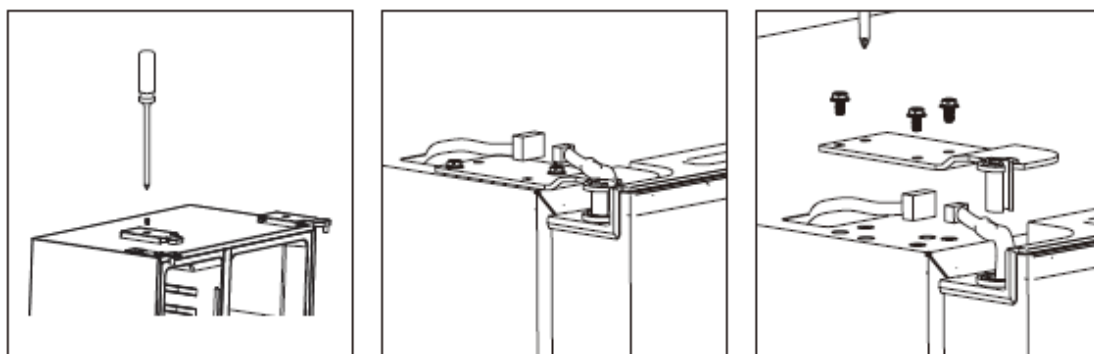
За да извадите вратите, е необходимо да наклоните уреда назад. Уредът трябва да се подпира на твърда повърхност, така че да не се плъзга по време на процедурата за обръщане на посоката на отваряне на вратите.

Всички демонтирани части трябва да се съхраняват с оглед обратно монтиране на вратите.

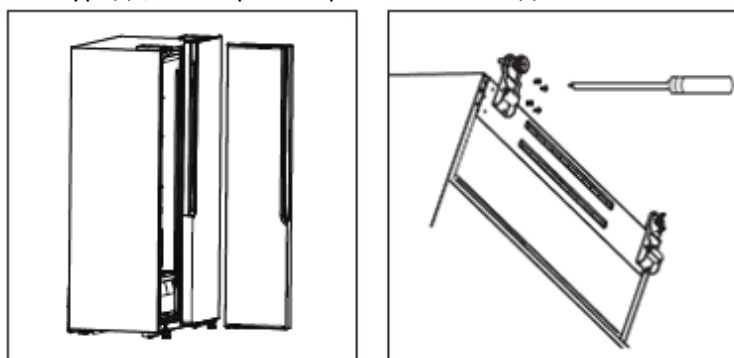
Не поставяйте уреда върху задната страна, т.к. това може да повреди системата за охлаждане.

Препоръчва се монтажът да се извърши от двама души.

1. Отворете капака на пантата с помощта на кръстата отвертка.
2. Извадете снопа от кабели.
3. Извадете горната панта.

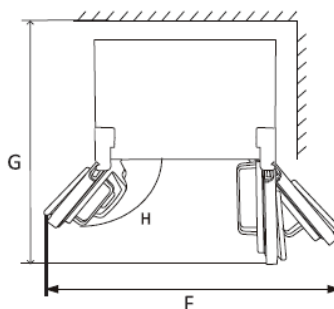
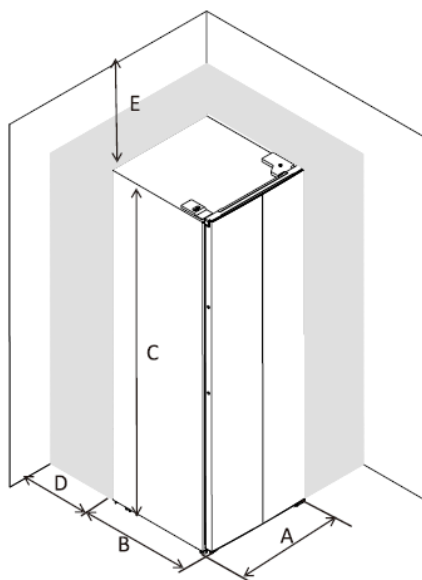


4. Вдигнете вратата и поставете я върху мека повърхност. Извадете другата врата по същия метод.
5. Развийте долните панти.
6. След позициониране на уреда, монтирайте вратите като следвате стъпките в обратен ред.



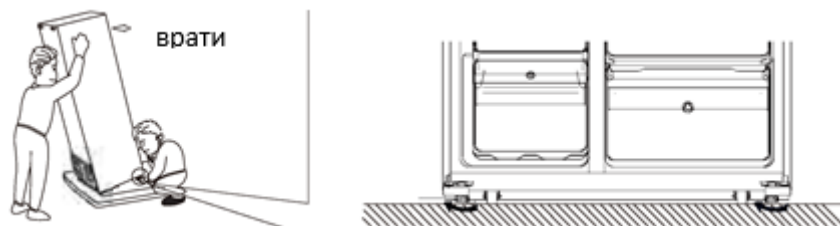
Изисквания относно пространството

Оставете достатъчно място за отваряне на вратата.
Оставете място най-малко 50 мм отстрани.



A	905
B	730
C	1770
D	min=50
E	min=50
F	1565
G	1220
H	140°

Нивелиране на уреда



- Уредът може да се стабилизира чрез регулиране на крачетата.
- Завъртете ръчно крачетата по посока на часовниковата стрелка, за да ги повдигнете.
- Завъртете ръчно крачетата по посока обратно на часовниковата стрелка, за да ги спуснете.

Разположение

Инсталирайте това устройство на място, където температурата на помещението съответства на климатичния клас, посочен в таблицата с техническа информация за уреда.

За хладилни уреди с климатичен клас:

- разширен умерен: този хладилен уред е предназначен да се използва при температура на околната среда от 10 °C до 32 °C (SN);
- умерен: този хладилен уред е предназначен да се използва при температура на околната среда от 16 °C до 32 °C (N);
- субтропичен: този хладилен уред е предназначен да се използва при температура на околната среда от 16 °C до 38 °C (ST);
- тропичен: този хладилен уред е предназначен да се използва при температура на околната среда от 16 °C до 43 °C (T);

Място на инсталацията

Устройството трябва да се постави на място далеч от източници на топлина като радиатори, бойлери и пряка слънчева светлина. За да се осигури висока производителност, когато устройството се поставя под окачен шкаф, минималното разстояние между горната част на уреда и окаченият шкаф трябва да бъде най-малко 100 мм. Въпреки това, идеалният начин е, устройството да не бъде поставяно под окачени шкафове. За да поставите устройството точно в хоризонтално положение използвайте регулируемите крачета от основата. Този хладилен уред не е предназначен за използване като вграден уред.

Внимание! Трябва да имате възможност да изключите устройството от източника за захранване; следователно, щепселът трябва да бъде достъпен след инсталиране.

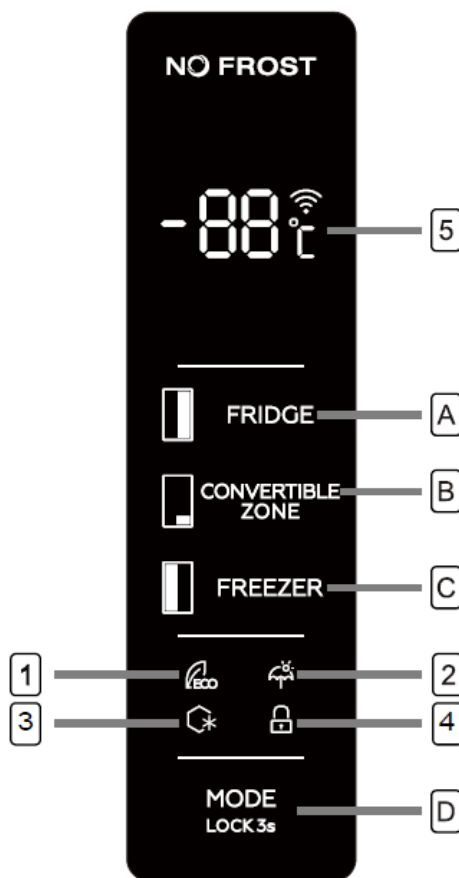
Свързване към електрическата мрежа

Преди да свържете уреда се уверете, че напрежението и честотата, отбелязани в таблицата с технически данни, съответстват на тези на електрозахранването в дома Ви. Устройството трябва да бъде заземено. За тази цел, щепселът на електрическия кабел е снабден с един контакт. Ако контакта в жилището не е заземен, свържете устройството към отделно заземяване, в съответствие с текущите регламенти, след като се консултирате с квалифициран електротехник.

Производителя не поема никаква отговорност, ако тези предпазни мерки не са спазени. Това устройство отговаря на Директивите на ЕИО.

11. ЕЖЕДНЕВНА УПОТРЕБА

Използване на контролния панел



Бутони

A. Натиснете този бутон с цел настройка на температурата в хладилното отделение (намиращо се в дясната страна) от 2°C до 8°C и за деактивиране на функцията за охлаждане (- -).

B. Натиснете този бутон, за да настроите температурата на конвертируемата зона от 5°C до -3°C и да деактивирате функцията за охлаждане (- -).

C – Натиснете този бутон с цел регулиране на температурата във фризерното отделение (разположено в лявата страна) от -14°C до -22°C.

D. Натиснете този бутон, за да превключите между режимите на работа **ECO**, **HOLIDAY**, **SUPER FREEZING** и **CUSTOM** (без символ върху цифровия екран).

Натиснете и задръжте натиснат бутон „3 SEC“ за 3 секунди, за да заключите останалите три бутона.

Натиснете бутон и задръжте го натиснат по време на 3 секунди, за да отключите останалите три бутона.

Цифровият екран

1. Режим „ECO“

Натиснете бутон „MODE“, за да изберете режима „ECO“. Иконата „ECO“ мига за 5 секунди и остава светната.

Режимът „ECO“ задава фиксирана температура от 6°C в хладилното отделение и температура от -16°C в фризерното отделение.

Apăsarea butonului „FRIDGE“ sau „FREEZER“ nu va avea efect, dar pictograma „ECO“ se va aprinde intermitent timp de trei secunde. Температурата на конвертируемото отделение може да се регулират отделно.

Деактивиране на режим „ECO“:

Ако искате да деактивирате режима „ECO“, натиснете бутона „MODE“, за да изберете друг режим.

2. Режим „Ваканция“

Натиснете бутона „MODE“, за да изберете режим „Ваканция“. Пиктограмата ще светне премигвайки по време на 5 секунди и ще остане светната. Температурата ще бъде настроена на 17°C в отделението за охлаждане. Натискането на бутона „FRIDGE“ няма да има ефект, но пиктограмата „Ваканция“ ще светне премигвайки по време на три секунди, с цел напомняне.

Температурата на хладилното отделение и тази на конвертируемото отделение може да се регулират отделно.

Деактивиране на режим „Ваканция“:

Ако искате да деактивирате режима „Ваканция“, натиснете бутона „MODE“, за да изберете друг режим.

3. Функция за замразяване „SUPER“

Натиснете бутона „MODE“, за да активирате функцията „SUPER“. Пиктограмата мига за 5 секунди и остава светната.

Функция за замразяване „SUPER“

Температурата във фризерното отделение е фиксирана, а именно -25. Натискането на бутона "FREEZER" няма да има ефект, но пиктограмата ще светва премигвайки по време на три секунди, с цел напомняне.

Температурата на хладилното отделение и тази на конвертируемото отделение може да се настройват отделно.

Функцията за замразяване „SUPER“ се деактивира, както следва:

- ръчно деактивиране на функцията за замразяване „SUPER“.
- ако функцията за замразяване „SUPER“ е била активна повече от 50 часа

4. Символът LOCK ще светне при блокиране на бутоните.

5. Цифровият екран за температура показва зададената температура в хладилното отделение/ конвертируемото отделение/ фризерното отделение.

Предупредителен сигнал за отворена врата

Когато една от вратите е оставена отворена или притворена за около 60 секунди, уредът ще издаде звуков сигнал. Звуковият сигнал ще се изключи, когато се затвори вратата.


Ако една от вратите не е добре затворена, уредът ще издава звуков сигнал на всеки 30 секунди, докато вратата не бъде затворена.

Ако вратите останат отворени за 10 минути, светодиодът във вътрешността ще изгасне автоматично.


Функция за заключване против задействане от деца

Тази функция е предназначена да предотврати задействането на уреда от деца.

За да активирате тази функция, натиснете и задръжте натиснат бутона LOCK 3s за около 3 секунди.

Светлинният индикатор  ще светне, като показва, че функцията е активна.

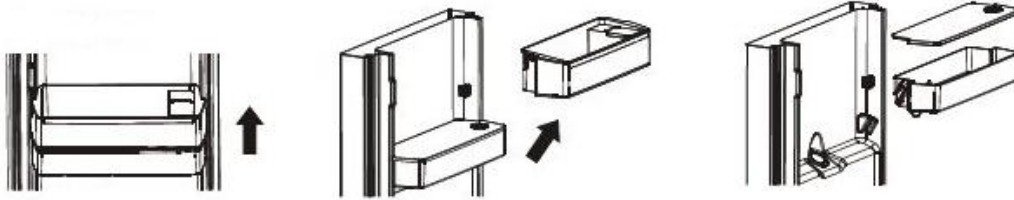
За да деактивирате тази функция, натиснете и задръжте натиснат бутона LOCK 3s за около 3 секунди.

Светлинният индикатор  ще светне, което показва, че функцията за заключване е деактивирана.

Преди първата употреба

Преди първата употреба на дозатора за вода, извадете и почистете резервоара за вода, разположен във вътрешността на хладилното отделение.

1. Първо вдигнете и извадете рафта над резервоара за вода, след това извадете резервоара и неговия капак. Махнете горния капак, след това почистете резервоара и капака.



2. След почистване монтирайте обратно резервоара за вода, неговия капак и рафта, както е показано на изображенията по-долу.



3. Почистете клапата на дозатора, разположена от външната страна на вратата на хладилника.



Зареждане на резервоара с вода

1. Отворете капачето



2. Напълнете резервоара с питейна вода (не повече от 3 литра вода).

3. Затворете капачето.



Използване на дозатора

За да използвате дозатора, натиснете леко върху неговата клапа, като използвате чаша или друг съд. За да спрете изтичането на вода, освободете клапата.

Внимание!

ВНИМАНИЕ! Не поставяйте други течности в резервоара за вода, освен питейна вода. Плодовите сокове, газираните напитки, алкохолните напитки и др. не са подходящи за употреба с дозатора за вода. При напълване на резервоара с други течности, различни от вода, той може да функционира по несъответстващ начин и може да се повреди непоправимо. Също така определени вещества, които са налични в тези напитки, могат да повредят резервоара за вода.

Използвайте само чиста питейна вода. Резервоарът е с капацитет от 3 литра. Не го препълвайте.

12. ПЪРВО ИЗПОЛЗВАНЕ

Почистване на вътрешната част

Преди да използвате уреда за първи път, измийте вътрешната част и всички вътрешни аксесоари с леко топла вода и с неутрален препарат за миене, за да отстраните специфичната миризма на нов продукт, след това изсушете ги добре.

ВАЖНО! Не използвайте абразивни препарати за миене или прахове, защото ще повредят повърхностите.

Размразяване

Преди да бъдат използвани, замразените храни могат да бъдат размразени в отделението за охлаждане или на стайна температура, в зависимост от времето, с което разполагате за тази операция. Малките парченца могат да бъдат замразени директно в камерата. В този случай времето за готвене ще бъде по-дълго.

Ледени кубчета

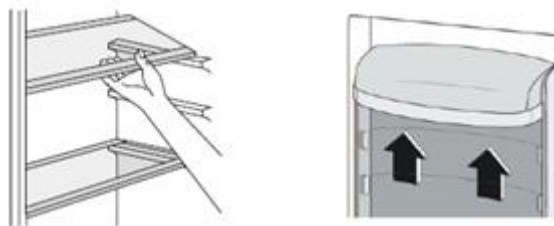
Този уред може да бъде оборудван с една или няколко форми, предназначени за приготвяне на ледени кубчета.

Подвижни рафтове

Върху стените на хладилника има помощни водачи с цел рафтовете да могат да се позиционират според Вашите предпочитания.

Позициониране на рафтовете на вратите

За да се улесни съхраняването на опаковки на храни с различни размери, рафтовете на вратите могат да се позиционират на различни височини. За да извършите тези операции, направете следното: внимателно издърпайте рафта по посока на стрелките, докато излезе, след това позиционирайте го според Вашите предпочитания.



Ежедневна употреба

Поставете различните видове храни в различни отделения, както е показано в таблицата по-долу:

Отделения на хладилника	Видове храни
Рафтове върху вратата на хладилното отделение	Храни, съдържащи естествени консерванти, като конфитюри, сокове, напитки, подправки. Не съхранявайте храни, които се развалят бързо.
Отделения за плодове и зеленчуци	Плодовете, билките и зеленчуците трябва да се поставят отделно в чекмеджето за плодове и зеленчуци. Не съхранявайте в хладилника банани, лук, картофи или чесън.

Рафт на хладилника	Млечни продукти, яйца, сладкиши, паста, пица Храни, които не изискват готвене, готови за консумация храни, колбаси, остатъчна храна.
Конвертируемо отделение	3°C ~ 5°C: пресни плодове и зеленчуци 0°C ~ 2°C: напитки, бира, червено вино -3°C ~ -1°C: охлаждане на храни като сурово месо, риба, морски дарове, картофени кнедли и др. за краткосрочно съхранение
Фризерно отделение	За храни, които могат да бъдат съхранявани дългосрочно. Морски дарове, риба, месо, картофени кнедли, замразени сладкарски продукти

Препоръки за настройка на температурата

Препоръки за настройка на температурата		
Температура на околната среда	Задаване на температурата	
Лято (Над 38°C)		Хладилник, настроен на 2°C
		Фризер, настроен при -20°C
Нормално		Хладилник, настроен на 4°C
		Фризер, настроен при -18°C
Зима (под 16°C)		Хладилник, настроен на 5°C
		Фризер, настроен при -18°C

Информацията по-горе дава препоръки на потребителите относно настройката на температурата.

Време за съхранение на храната

- Ако се спазват препоръките за настройка на температурата, максималното време за съхранение на храната в хладилното отделение е 3 дни.
- Ако се спазват препоръките за настройка на температурата, максималното време за съхранение на храната в фризерното отделение е 1 месец.
- Максималното време за съхранение на храната може да бъде по-кратко при използване на други настройки.

Полезни съвети/Препоръки

За да получите по-ефективно замразяване, ето няколко важни препоръки:

- Максималното количество храни, които могат да бъдат замразени за 24 часа, е посочено върху табелката с техническите данни.
- Процесът на замразяване трае 24 часа. По време на този процес не добавяйте други храни за замразяване;
- Замразявайте само храни с високо качество, свежи и добре почистени;
- Подгответе малки порции храна, които могат да бъдат замразени бързо и напълно, за да можете след това да размразите само необходимото количество;
- Увийте храните в алуминиево фолио или полиетилен и се уверете, че пакетите са добре затворени;
- Уверете се, че незамразените пресни храни не влизат в контакт с тези, които вече са замразени, като по този начин ще избегнете повишаването на тяхната температура;
- Храните без съдържание на мазнини се съхраняват по-добре и за по-дълъг период, отколкото тези, които съдържат мазнини; солта намалява срока за съхранение на храните;
- Ако се консумират веднага след изваждане от фризера, сладоледите могат да предизвикат кожни наранявания или измръзване;
- Препоръчваме Ви да запишете датата на замразяване върху всяка опаковка, за да следите периода за съхранение

Препоръки относно съхранението на замразените храни

За да получите най-добри резултати с това устройство, Ви препоръчваме следното:

- Проверете дали замразените храни са били съхранени правилно в магазина;
- Уверете се, че замразените храни са прехвърлени от магазина във фризера възможно най-бързо;
- не отваряйте вратата много често и не я оставяйте отворена повече отколкото е необходимо; след размразяване храните се развалят бързо и не могат да бъдат замразени отново; не превишавайте периода за съхранение, посочен от производителя на храните.

Препоръки относно охлаждането на пресните храни

За получаване на оптимални постижения:

- Не съхранявайте в уреда топла храна или течности, които се изпаряват.
- Покрийте или опаковайте храните, особено ако образуват силни миризми.

За да избегнете заразяването на храни, спазвайте инструкциите по-долу:

- Ако вратата на уреда е оставена отворена за дълъг период от време, температурата в отделенията на уреда се увеличава значително.
- Почиствайте периодично повърхностите, които могат да влязат в контакт с храните, както и източващите системи на уреда.
- Съхранявайте суровото месо и прясната риба в подходящи съдове, така че продуктите да не влизат в контакт с други храни.
- Фризерните отделения с две звезди са подходящи за съхранение на предварително замразени храни, за съхранение или приготвяне на сладолед и за производство на кубчета лед.
- Отделенията с една, две и три звезди не са подходящи за замразяване на пресни храни.

Забележка: Моля, съхранявайте храните в подходящите отделения и при препоръчаните температури за съхранение.

- Ако хладилният уред ще бъде оставен празен за дълъг период от време, изключете го, размразете го, почистете го, избършете го добре и оставете вратата му отворена, за да се предотврати образуването на мухъл във вътрешността му.

Почистване на дозаторите за вода (при продуктите, които са оборудвани с дозатор за вода): Почистете резервоарите за вода, ако не са използвани дозаторите в продължение на 48 часа; водата от системите, свързани с водоснабдяването, трябва да се източи, ако системите не са използвани в продължение на 5 дни.

Пореден номер	Тип на отделението	Препоръчвана температура за съхранение [°C]	Храни
1	Охлаждане	+2 ≤ +6	Яйцата, готвените храни, пакетирани храни, плодовете и зеленчуците, млечните продукти, сладкишите и напитките не са подходящи за замразяване.
2	(***)*- Замразяване	≤ -18	Морските дарове (рибата, скаридите, ракообразните), водните и месните продукти са подходящи за замразяване (препоръчва се тяхното съхранение за 3 месеца; колкото повече е времето за съхранение, толкова повече се губят вкуса и хранителните свойства).
3	***-Замразяване	≤ -18	Морските дарове (рибата, скаридите, ракообразните), водните и месните продукти не са подходящи за замразяване (препоръчва се тяхното съхранение за 3 месеца; колкото повече е времето за съхранение, толкова повече се губят вкуса и хранителните свойства).
4	** -Замразяване	≤ -12	Морските дарове (рибата, скаридите, ракообразните), водните и месните продукти не са подходящи за замразяване (препоръчва се тяхното съхранение за 2 месеца; колкото повече е времето за съхранение, толкова повече се губят вкуса и хранителните свойства).
5	*-Замразяване	≤ -6	Морските дарове (рибата, скаридите, ракообразните), водните и месните продукти не са подходящи за замразяване (препоръчва се тяхното съхранение за 1 месец; колкото повече е времето за съхранение, толкова повече се губят вкуса и хранителните свойства).
6	Без звезди	-6 ≤ 0	Прясно свинско, говеждо, телешко и пилешко месо, прясна риба, някои преработени и пакетирани храни и др. (препоръчва се да се консумират в същия ден, за предпочитане до 3 дни) Преработени храни, частично пакетирани (храни, които не трябва да се замразяват)
7	Охлаждане	-2 ≤ +3	Прясно/замразено свинско, говеждо, телешко и пилешко месо, водни продукти и др. (тези храни могат да се съхраняват до 7 дни при температури под 0°C; в случай на съхранение при температури, които надвишават 0°C, препоръчва се да се

			консумират в същия ден, за предпочитане до 2 дни) Морски дарове (тези храни могат да се съхраняват до 15 дни при температури под 0°C; не се препоръчва съхранението им при температури, които надвишават 0°C)
8	Пресни храни	0 ≤ +4	Прясно свинско, говеждо, телешко и пилешко месо, готвена храна и др. (препоръчва се да се консумират в същия ден, за предпочитане до 3 дни)
9	Вино	+5 ≤ +20	Червено вино, бяло вино, пенливо вино и др.

Препоръки при охлаждане

Полезни съвети:

- Месото (от всеки вид) се опакова в полиетиленово фолио и се поставя върху стъкления рафт, който се намира над чекмеджето за плодове и зеленчуци.
- За сигурност, съхранявайте месото по този начин само за един или най-много два дни.
- Готвени храни, колбаси и др.: Трябва да се покриват и да се поставят върху произволен рафт.
- Плодове и зеленчуци: Трябва да бъдат добре почистени и трябва да се поставят в чекмеджетата, предназначени за тях.
- Краве масло и сирена: Трябва да бъдат поставени в специални съдове, затворени херметически, или да бъдат увити в алуминиево фолио или в полиетиленови торбички, възможно най-плътно затворени.
- Бутилки с мляко: трябва да бъдат предвидени с капак и трябва да се съхраняват върху рафтовете на вратата.
- Ако не са опаковани, бананите, картофите, лукът и чесънът не трябва да се съхраняват в хладилник.

13. ПОЧИСТВАНЕ

Поради хигиенни съображения, вътрешността на устройството и вътрешните аксесоари трябва да се почистват редовно.

Внимание! По време на почистване, устройството трябва да е изключено от източника на енергия. Опасност от токов удар! Преди да почистите уреда, изключете го и извадете щепсела от контакта или прекъснете общата електрическа верига на жилището. Не почиствайте устройството с парочистачка. Може да се натрупа влага в електрическите компоненти. Горещата пара може да повреди пластмасовите компоненти. Преди да включите отново уреда се уверете, че е сух.

Внимание! Етеричните масла и органичните разтворители (лимонов сок или сок от портокалова кора, маслена киселина, почистващи вещества, които съдържат оцетна киселина) могат да повредят пластмасовите части на уреда.

- Не допускайте такива вещества да влизат в контакт с частите на устройството.
- Не използвайте абразивни почистващи препарати.
- Извадете храните от фризера. Съхранявайте ги на хладно място и ги покрийте добре.
- Изключете уреда и извадете щепсела от контакта или прекъснете общата електрическа верига на жилището.

- Почистете устройството и вътрешните аксесоари с кърпа и хладка вода. След почистване на уреда, изплакнете с чиста вода и го подсушете със суха кърпа.
- След като всички компоненти са сухи, можете да включите устройството да работи.

14. ОТСТРАНЯВАНЕ НА НЕИЗПРАВНОСТИ

Внимание! Преди да отстраните повредите, извадете щепсела от контакта. Техническите проблеми, които не са представени в това ръководство, могат да бъдат отстранени само от квалифициран електротехник или от компетентно лице.

Внимание! По време на нормална употреба, може да чувате шумове (компресорът, циркулация на охлаждащата течност).

Проблем	Възможна причина	Решение
Уредът не функционира.	Щепселът не е включен правилно в контакта.	Включете щепсела в контакта.
	Предпазителят е изгорял или е повреден.	Проверете предпазителя. Ако е необходимо, сменете го.
	Електрическият контакт е повреден.	Повредите на източника за захранване с електроенергия трябва да се отстраняват от електротехник.
Храните са твърде топли.	Температурата не е настроена правилно.	Моля прочетете главата относно настройката на температурата.
	Вратата е била оставена отворена за дълъг период от време.	Не дръжте вратата отворена повече време отколкото е необходимо.
	През последните 24 часа е било поставено в уреда голямо количество топли храни.	Завъртете временно бутона на регулатора към по-горна позиция.
	Уредът се намира до източник на топлина.	Моля прочетете главата относно мястото за инсталиране на уреда.
Устройството охлажда прекалено много.	Настроената температура е твърде ниска.	Завъртете временно бутона за регулиране на температурата към по-долна позиция.
Необичайни шумове.	Устройството не е нивелирано.	Регулирайте крачетата.
	Уредът контактува със стената или с други предмети.	Преместете леко уреда.
	Една компонента (например тръба на уреда) контактува с друга част на уреда или със стената.	Ако е необходимо, сгънете внимателно компонентата, така че да не докосва вече нищо.
Силно натрупване на скреж върху уплътнението на вратата	Уплътнението на вратата не е херметично	Внимателно затоплете изтичащите участъци от уплътнението на вратата със сешоар (на хладна настройка). В същото време оформете затопленото уплътнение на вратата на ръка, така че да седи правилно

Страничните стени на уреда се нагриват.	Това е нормално. Топлообменникът е разположен зад страничните стени.	Ако е необходимо, използвайте защитни ръкавици.
---	--	---

СЕРВИЗ И ОБСЛУЖВАНЕ НА КЛИЕНТИ

Използвайте само оригинални резервни части.

Когато се свързвате с нашия оторизиран сервизен център, уверете се, че имате под ръка следната информация: Наименование на модела и сериен номер.

Информацията може да бъде намерена на табелката с технически данни. Те подлежат на промяна без предварително уведомление.

ТЕХНИЧЕСКИ ДАННИ

Техническата информация се намира на табелката с технически данни на уреда и на енергийния етикет.

QR кодът на енергийния етикет, предоставен заедно с уреда, предлага уеб връзка към информацията в базата данни на EPREL относно постиженията на уреда.

Запазете енергийния етикет за бъдещи справки, заедно с ръководството за употреба и с всички други документи, предоставени заедно с този уред.

Също така, можете да намерите същата информация в базата данни на EPREL, като използвате връзката <https://eprel.ec.europa.eu> и наименованието на модела и серийния номер на продукта, които можете да намерите на табелката с технически данни на уреда.

За достъп до информация за вашия продукт в портала EPREL можете да сканирате кодовете по-долу:



Благодарим ви, че закупихте този продукт! Ако имате нужда от помощ във връзка с вашия продукт, посетете нашия уебсайт, като използвате връзките по-долу:

Получете ръководства за употреба: <https://www.heinner.ro>

Получете информация относно ремонтите: <https://www.heinner.ro>



Изхвърляне на отпадъците по начин, отговорен за околната среда

Можете да помогнете за опазването на околната среда!

Моля спазвайте местните разпоредби: Предайте нефункциониращото електрическо оборудване на център за събиране на отпадъци от електрическо оборудване.



HEINNER е регистрирана марка на компанията **Network One Distribution SRL**. Останалите търговски марки и наименованията на продуктите са търговски марки или регистрирани търговски марки на съответните им притежатели.

Нито една част от спецификациите не може да бъде възпроизвеждана под каквато и да е форма или средство, или използвана за получаване на производни като преводи, трансформации или адаптации, без предварителното съгласие на компанията NETWORK ONE DISTRIBUTION.

Copyright © 2013 Network One Distribution. Всички права запазени.

www.heinner.com, <http://www.nod.ro>

<http://www.heinner.com>, <http://www.nod.ro>



Този продукт е проектиран и произведен в съответствие със стандартите и нормите на Европейската общност.



Вносител: **Network One Distribution**

ул. Марчел Янку № 3-5, Букурещ, Румъния

Tel: +40 21 211 18 56, www.heinner.com , www.nod.ro

SIDE BY SIDE

Modell:

HSBS-HM592NFDXWDE++



- Teljes űrtartalom: 592 L
- Energia hatékonysági osztály: E

HEINNER

1. BEVEZETÉS

Kérjük, figyelmesen olvassa el az utasításokat, és őrizze meg a kézikönyvet későbbi tanulmányozás céljából. A kézikönyv célja a készülék beszerelésével, használatával és karbantartásával kapcsolatos minden szükséges tudnivalót rendelkezésére bocsátani. A készülék helyes és biztonságos használata érdekében, kérjük, hogy beszerelés és használat előtt olvassa el figyelmesen a használati kézikönyvet.

2. AZ ÖN CSOMAGJÁNAK TARTALMA

- ➔ Side by side
- ➔ Használati kézikönyv
- ➔ Jótállási bizonylat

3. BIZTONSÁGI FIGYELMEZTETÉSEK

Az ön biztonsága és a helyes használat érdekében a készülék felállítása és első használata előtt olvassa el figyelmesen a felhasználó kézikönyvét, az ajánlásokkal és figyelmeztetésekkel együtt. A fősleges tévedések és balesetek elkerülése érdekében fontos meggyőződni arról, hogy minden személy, aki a készüléket használja, ismeri a biztonságos működés módját és a biztonsági intézkedéseket. Őrizze meg ezt a kézikönyvet, és gondoskodjon arról, hogy a készülékkel együtt marad, ha azt elköltöztetnék vagy eladnák, s ily módon bárki használná az élettartama alatt, megfelelőképpen tájékozódhasson a használatáról és a szükséges biztonsági intézkedésekről.

Életének és vagyonának biztonsága érdekében tartsa be a használati kézikönyv előírásait, mivel a mulasztásokból származó károkért a gyártó nem felel.

A gyermekek és más érzékeny személyek biztonsága

Ezt a készüléket 8 éven felüli gyermekek és szellemileg fogyatékos- sérült vagy tapasztalattal nem rendelkező emberek csak akkor használhatják, ha az értük felelős személy felügyeli őket, illetve előzetesen megértette velük a készülék biztonságos használatát.

A gyerekekre figyelni kell, nem kell engedni, hogy a készülékkel játszanak.

A készülék tisztítását és karbantartását nem végezheti felügyelet nélküli gyermek, kivéve, ha elmúlt 8 éves és felügyeljük.

Ne hagyja a csomagolóanyagot gyermekek számára elérhető helyen, mert fennáll a fulladás veszélye.

Hogy elkerülje a gyerekek bezáródását a készülék belsejébe, vagy áramütés elszenvedését, mielőtt kidobná a készüléket, húzza ki az aljzatból, vágja le az áramellátó kábelt (minél közelebb a készülékhez) és szerelje le a készülék ajtaját.

Ha ez a mágneses ajtóval ellátott készülék, olyan régi készüléket helyettesít, amelynek ajtója, vagy fedele rugóval (retesszel) működik, mielőtt kidobná, bizonyosodjon meg, hogy a rugós rendszer használhatatlan. Így megelőzi, hogy a gyermekek bezáródjanak az eldobott hűtőszekrénybe.

A 3 éves kort betöltött gyermekek kivehetnek és betehetnek.

Általános biztonsági intézkedések

FIGYELMEZTETÉS! Ellenőrizze, hogy a hűtőszekrény szellőzőnyílásai szabadon álljanak.

FIGYELMEZTETÉS! Leolvasztáshoz kizárólag a gyártó által ajánlott módszereket használja, ne használjon gépi vagy más eszközt a leolvasztás gyorsítására.

FIGYELMEZTETÉS! Ne sértse meg a hűtőfolyadék keringési rendszerét.

FIGYELMEZTETÉS! A hűtőanyag és a szigetelőgáz gyúlékony. A készüléket csak hivatalos hulladékgyűjtő központba vigye kiselejtezőskor. Ne égesse el a készüléket.

FIGYELMEZTETÉS! A berendezés elhelyezése során figyeljen arra, hogy a tápkábelt ne nyomja össze és ne rongálja meg.

FIGYELMEZTETÉS! Ne helyezzen a berendezés mögé elosztókat vagy hordozható áramforrásokat.

FIGYELMEZTETÉS! Az égőket ne a felhasználó cserélje ki! Amennyiben az égők meghibásodnak, cseréjük érdekében forduljon szakképzett személyekhez. Ez a figyelmeztetés csak az égőkkel felszerelt hűtőkre vonatkozik.

FIGYELMEZTETÉS! Ne használjon egyéb elektromos készüléket az élelmiszerek tárolására kialakított rekeszekben (mint például jégkrém készítő gép), csak ha ezek kizárólag a gyártó által ajánlott típusú elektromos készülékek.

FIGYELMEZTETÉS! Ne érjen hozzá az izzóhoz, ha az egy ideje ég, mert ez nagyon felforrósodhat.

- Ne tároljon a készülékben robbanó anyagokat, mint például aeroszolos gyúlékony üzemanyagot tartalmazó sprayeket.
- A készülék hűtőfolyadék rendszere R600a (izobután) hűtőfolyadékot tartalmaz, amely egy természetes gáz, magas szintű környezeti kompatibilitással, de gyúlékony.
- Győződjön meg, hogy szállítás és felállítás idején a hűtőfolyadék keringési rendszerének egyetlen eleme sem rongálódott meg.
- Kerülje a nyílt láng használatát és a tűzforrásokat. Alaposan szellőztesse ki a helyiséget, amelyben a készülék található.
- A készülék jellegzetességeinek bármely megváltoztatása vagy módosítása veszélyes. A tápkábel bármely megrongálódása rövidzárlatot, tüzet és/vagy áramütést okozhat.
- Ezt a készüléket háztartási és hasonló célokra szánták, mint például:
 - Üzletek, irodák és egyéb munkakörnyezetek személyzeti konyhai helyiségei;
 - Tanyákon, valamint szállodákban, motelekben és egyéb lakóhelyi jellegű környezetben;
 - ágy és reggeli típusú környezetek;
 - Vendéglátóipari és hasonló, nem kiskereskedelmi célú alkalmazások.

FIGYELMEZTETÉS! Ha az elektromos összetevők bármelyike sérült (aljzat, tápkábel, kompresszor), ezt szakemberrel, vagy erre illetékes személlyel kell cseréltetni.

FIGYELMEZTETÉS! A készülékkel szállított izzó egy „speciális használatra szánt izzó” és csak ezzel a készülékkel használható. Ez a „speciális használatra szánt izzó” nem használható háztartási világításra.

Biztonsági tájékoztatás

- Ne hosszabbítsa meg a tápkábelt.
- Győződjön meg, hogy hátul a dugó nem zúzódott össze és nem rongálódott meg. Az összezúzott vagy megrongálódott dugó túlhevülhet, és kigyulladhat.
- Győződjön meg, hogy mindig hozzáférhet a tápkábelhez. Ne rángassa a tápkábelt.
- Ha megglazult az aljzat, amelybe a dugót be kell dugni, ne használja. Áramütés- és tűzveszély léphet fel.
- A készüléket ne használja, ha a hűtőteret világító izzólámpa nem működik.
- A készülék nehéz. Óvatosan költöztesse.
- Ne nyúljon nedves/vizes kézzel a fagyasztott termékekhez, mert fagyégési sebeket, vagy bőrkárosodást szenvedhet.
- Ne tegye ki hosszabb ideig a készüléket közvetlen napfénynek.
- Ne rángassa a tápkábelt.
- A berendezés csak 220~240V/50Hz, egyfázisú váltóáramú hálózatról működtethető. Amennyiben a felhasználó lakhelyén a feszültség értéke nem esik a fenti feszültség tartományba, a biztonsági előírásoknak való megfelelés céljából egy automata 350 W-nál nagyobb teljesítményű AC feszültségszabályozó berendezés használatát javasoljuk. A berendezést külön aljzatról kell működtetni, nem olyanról, amelyhez már más elektromos berendezések is csatlakoznak. A dugasznak kompatibilisnek kell lennie a földeléses aljzattal.

Hűtőfolyadék

A készülék hűtőfolyadék rendszere R-600a (izobután) hűtőfolyadékot tartalmaz, amely egy természetes gáz, magas szintű környezeti kompatibilitással, de gyúlékony. Győződjön meg, hogy szállítás és felállítás idején a

hűtőfolyadék keringési rendszerének egyetlen eleme sem rongálódott meg. A hűtőfolyadék (R-600a) gyúlékony.

FIGYELMEZTETÉS! A hűtőszekrények hideghordozó közeget és veszélyes gázokat tartalmaznak. A hideghordozó közeget és a gázokat megfelelő módon kell eltávolítani, mert ezek szemsérüléseket okozhatnak vagy meggyúlhatnak. A készülék mozgatása előtt győződjön meg róla, hogy a hűtőkör csövezete nem sérült.



FIGYELEM! TŰZVESZÉLY!

A mélyhűtő körfolyam meghibásodása esetén:

- Kerülje a nyílt láng használatát és a tűzforrásokat.
- Alaposan szellőztesse ki a helyiséget, amelyben a készülék található. A készülék jellegzetességeinek bármely megváltoztatása vagy módosítása veszélyes.



FIGYELEM! Használat, szerviz és ártalmatlanítás során a kérjük, vegye figyelembe, hogy a bal oldali szimbólum hasonló amely a készülék hátulján található (hátsó panel vagy kompresszor) és sárga vagy narancssárga színű. Tűzveszélyjelző szimbólum. Gyúlékony anyagok vannak hűtőközeg csövek és kompresszor. Kérjük, távolítsa el a tűzforrást a használat, a szerviz és a használat közben rendelkezésére.

FIGYELMEZTETÉS! Ne használjon egyéb elektromos készüléket az élelmiszerek tárolására kialakított rekeszekben (mint például jégkrém készítő gép), csak ha ezek kizárólag a gyártó által ajánlott típusú elektromos készülékek.

FIGYELMEZTETÉS! Ne érjen hozzá az izzóhoz, ha az egy ideje ég, mert ez nagyon felforrósodhat.

4. MINDENNAPOS HASZNÁLAT

A készülék műanyag összetevőire ne helyezzen forró tárgyakat.

Ne helyezze az élelmiszereket közvetlenül a készülék belső hátsó falára.

A kiolvasztott élelmiszereket ne fagyassza le újra.

A fagyott élelmiszert az élelmiszergyártó utasításainak megfelelően előcsomagolva tárolja.

Szigorúan tartsa be a készülék gyártójának a tárolásra vonatkozó ajánlásait. Tanulmányozza a tárolásra vonatkozó utasításokat.

A mélyhűtőben ne tároljon szénsavas italokat, mivel ez nyomást gyakorol az edényre, amely elrobbanhat, és megrongálhatja a készüléket.

A fagyasztott élelmiszerek fagyási sérülést okozhatnak, ha közvetlenül a mélyhűtőből kivéve fogyasztja.

5. TISZTÍTÁS ÉS KARBANTARTÁS

A karbantartási műveletek előtt kapcsolja ki a készüléket és húzza ki az aljzatból a dugót.

Ne tisztítsa a készüléket fémtárgyakkal.

A jégnek a készülékről való eltávolításához ne használjon éles tárgyakat. Használjon műanyagkaparót. 1)

Rendszeresen ellenőrizze a készülék lefolyónyílását. Ha szükséges, tisztítsa meg a lefolyónyílást. Ha a lefolyónyílás eltömődik, a készülék aljában víz fog összegyűlni. 2)

1) Ha a készülék rendelkezik fagyasztótérrel.

2) Ha a készülék rendelkezik friss élelmiszerek tárolására szolgáló rekeszsel.

6. ÜZEMBEHELYEZÉS

Figyelem!

Az elektromos áramhoz való csatlakoztatáskor kövesse gondosan az erre vonatkozó utasításokat.

Csomagolja ki a készüléket, ellenőrizze, hogy nem sérült-e a szállítás során. Ha a készülék sérült, ne csatlakoztassa az áramforráshoz. Ha a készülék sérült, az esetleges sérüléseket jelentse azonnal a forgalmazónak, ahonnan a készüléket vásárolta. Ebben az esetben őrizze meg a csomagolást.

Javasoljuk, hogy a készülék villamos hálózatra csatlakoztatása előtt várjon legalább négy órát, hogy az olaj folyjon vissza a kompresszorba.

A készülék körül a levegőnek szabadon kell keringenie; szellőzés hiányában a készülék túlhevülhet. A

megfelelő szellőzés érdekében tartsa be a szerelési utasításokat.

Amennyiben lehetséges, a készülék távolságtartóit helyezze egy fal irányába, hogy elkerülje a meleg részek (kompresszor, kondenzátor) érintését, vagy megfogását, az égési sérülések megelőzése érdekében.

A készüléket ne helyezze fűtőtestek vagy tűzhelyek közelébe.

7. JAVÍTÁS ÉS ENERGIATAKARÉKOSSÁG

A berendezés javítása

A készülék javításával kapcsolatos elektromos munkákat minősített villanyszerelőnek vagy illetékes személynek kell elvégeznie.

A készüléket engedélyezett szervizben kell javíttatni, és kizárólag eredeti pótalkatrészeket kell használni.

Energiatakarékosság

Ne helyezzen a hűtőszekrénybe meleg élelmiszereket;

Ne tárolja az élelmiszereket szorosan egymás mellett, mert ez megakadályozza a levegő áramlását;

Győződjön meg, hogy az élelmiszerek nem érnek hozzá a rekesz/rekeszek hátsó falához;

Áramkimaradás esetén ne nyissa ki az ajtót/ajtókat;

Ne nyissa ki túl gyakran az ajtót/ajtókat;

Ne tartsa nyitva az ajtót/ajtókat hosszabb ideig;

Ne állítsa a készülék hőszabályozóját a szükségesnél alacsonyabb hőfokra.

Az alacsony energiafogyasztás érdekében minden tartozékot, például a polcokat, fiókokat és az ajtópolcokat az előre meghatározott pozícióban kell elhelyezni.


8. KÖRNYEZETVÉDELEM

Csomagolóanyagok

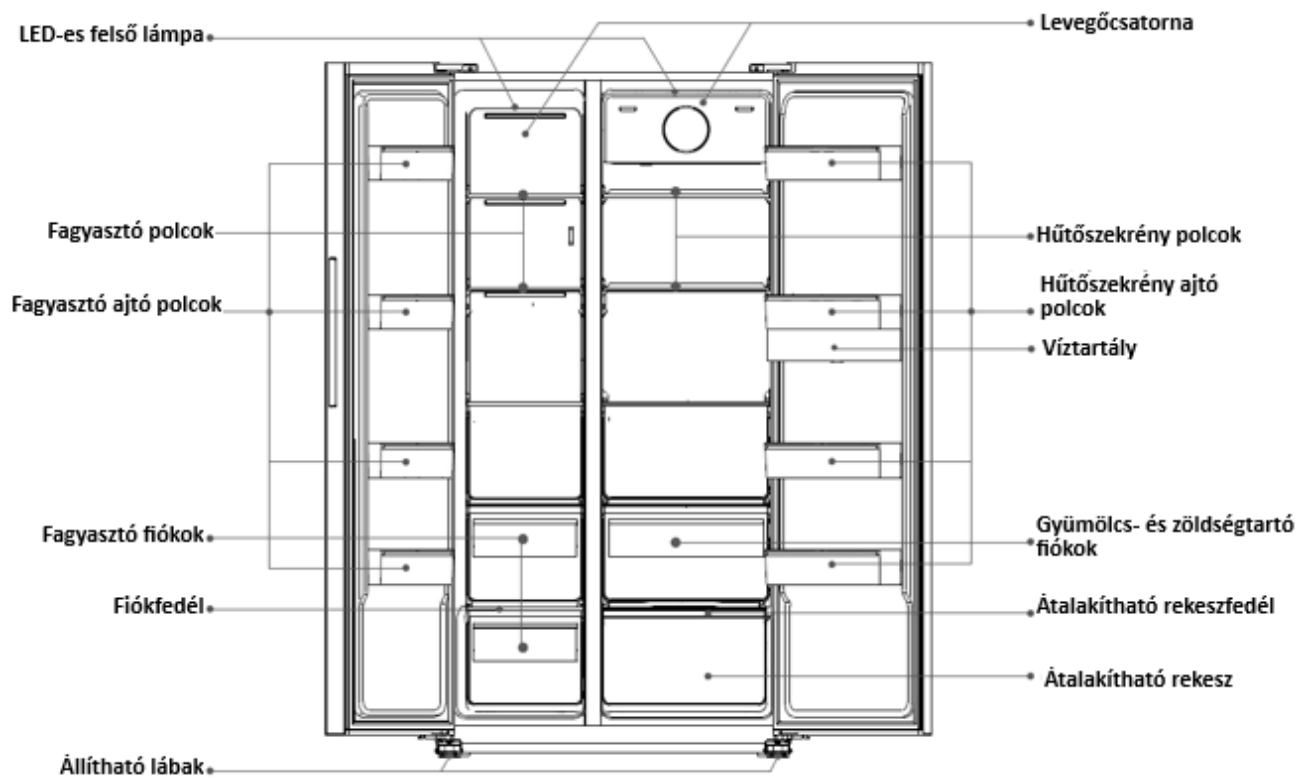
Ezzel a jelzéssel ellátott csomagolóanyagok újrahasznosíthatók. A csomagolóanyagot dobja az újrahasznosításra kijelölt speciális konténerekbe.

A termék eltávolítása

1. Húzza ki a csatlakozót az elektromos hálózatból.
2. Vágja el a vezetékét, és dobja el.

Ez a készülék sem a hűtőfolyadék-keringető rendszerben, sem a szigetelő anyagokban nem tartalmaz az ózonréteget károsító gázokat. A készüléket nem szabad a lakossági hulladékkal és szeméttel együtt kidobni. A szigetelőhab gyúlékony gázokat tartalmaz: a készüléket a helyi hatóságoktól beszerezhető vonatkozó rendelkezésekkel összhangban kell hulladékba helyezni. Vigyázzon, ne sérüljön meg a hűtőegység, különösen hátul a hőcserélő környéke. A készüléken használt és  szimbólummal megjelölt anyagok újrahasznosíthatóak.

9. A TERMÉK LEÍRÁSA



A fenti ábra kizárólag tájékoztató jellegű.

10. ÖSSZESZERELÉS

Az ajtók eltávolítása

Szükséges szerszámok: Egyenes pengéjű és csillagcsavarhúzó.

Ellenőrizze, hogy a gép üres, és kihúzta az áramforrásból.

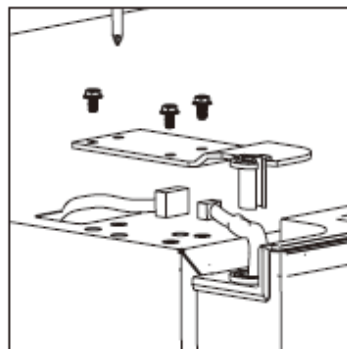
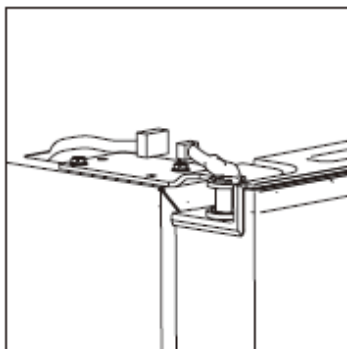
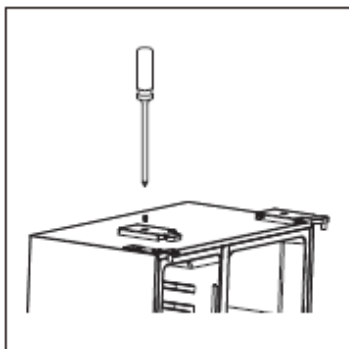
Az ajtók eltávolításához meg kell billenteni a gépet hátrafelé. A készüléket szilárd felületre kell állítani, úgy, hogy ez ne csúszhasson el az ajtók megfordítása alatt.

Minden eltávolított alkatrészt meg kell őrizni az ajtók visszaszereléséhez.

Ne helyezze a készüléket a hátára, mivel ezzel károsulhat a hűtőrendszer.

Javasoljuk, hogy a szerelést két ember végezze.

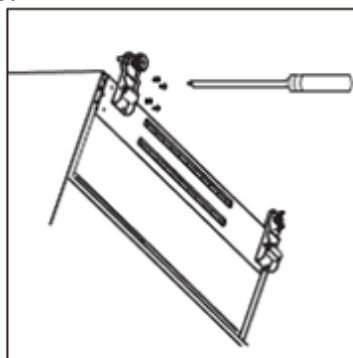
1. Vegye le a felső ajtópánt burkolatát egy csillagcsavarhúzóval.
2. Válassza szét a vezetékköteget.
3. Vegye le a felső ajtópántot.



4. Emelje fel az ajtót és helyezze egy puha felületre. Szerelje le a másik ajtót ugyanezzel a módszerrel.

5. Távolítsa el az alsó ajtópántot.

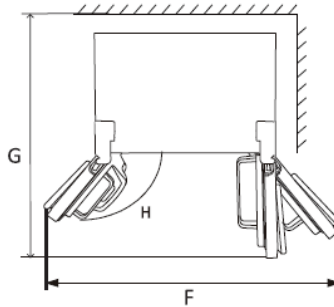
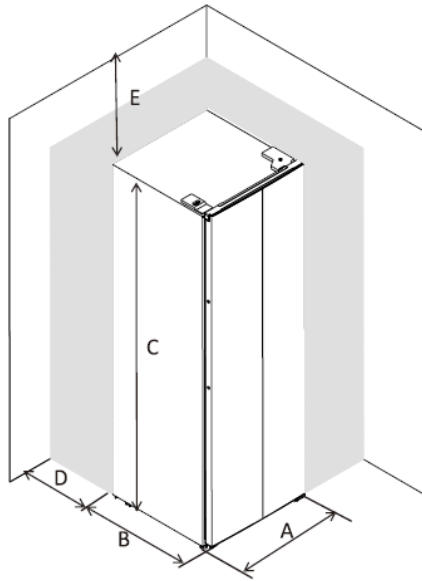
6. A készülék behelyezése után szerelje fel az ajtókat ugyanezzel a módszerrel, csak fordított sorrendben.



Helykövetelmények

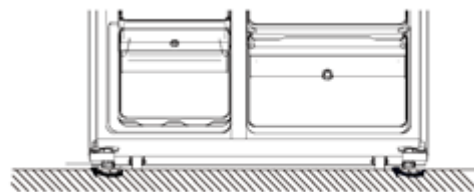
Hagyjon elegendő helyet az ajtó nyitásához.

Hagyjon szabadon legkevesebb 50 mm helyet a készülék mindkét oldalán.



A	905
B	730
C	1770
D	min=50
E	min=50
F	1565
G	1220
H	140°

A készülék kiegyensúlyozása



- A készülék a lábak elcsavarásával kiegyensúlyozható.
- Kézzel forgassa a lábat az óramutató irányába a felemeléshez.
- Kézzel forgassa a lábat az óramutató irányával ellentétes irányba a leengedéshez.

Elhelyezés

Kérjük, helyezze a készüléket olyan helyre, ahol a környezeti hőmérséklet megfelel a készülék műszaki adatokat tartalmazó lapján található klímaosztálynak.

A valamely klímaosztályba tartozó hűtőkészülékek esetében:

- kiterjesztett mérsékelt övi: Ezt a hűtőkészüléket 10 °C és 32 °C közötti környezeti hőmérsékleten való használatra tervezték (SN);
- mérsékelt övi: Ezt a hűtőkészüléket 16 °C és 32 °C közötti környezeti hőmérsékleten való használatra tervezték (N);
- szubtrópusi övi: Ezt a hűtőkészüléket 16 °C és 38 °C közötti környezeti hőmérsékleten való használatra tervezték (ST);
- trópusi övi: „Ezt a hűtőkészüléket 16 °C és 43 °C közötti környezeti hőmérsékleten való használatra tervezték (T);

A beszerelés helye

A készüléket a hőforrásoktól, mint fűtőtestek, melegvíz-tároló és a közvetlen napfénytől távol kell elhelyezni. A jó teljesítmény biztosítása érdekében, amennyiben a készülék egy felfüggesztett bútordarab alá van elhelyezve, a készülék felső része és a bútor közötti távolságnak minimum 100 mm-nek kell lennie. Mindazonáltal, ideális körülmények között, kerülni kell a készülék felfüggesztett bútor alá helyezését. A pontos vízszintbe helyezést a készülék alján található, állítható lábak biztosítják.

Ez a hűtőszekrény nem használható beépített készülékként.

Figyelmeztetés! A beszerelt készüléknél az elektromos vezetéknek és a konnektornak könnyen hozzáférhetőnek kell lennie a beszerelést követően, a csatlakoztatás megszakítása érdekében.

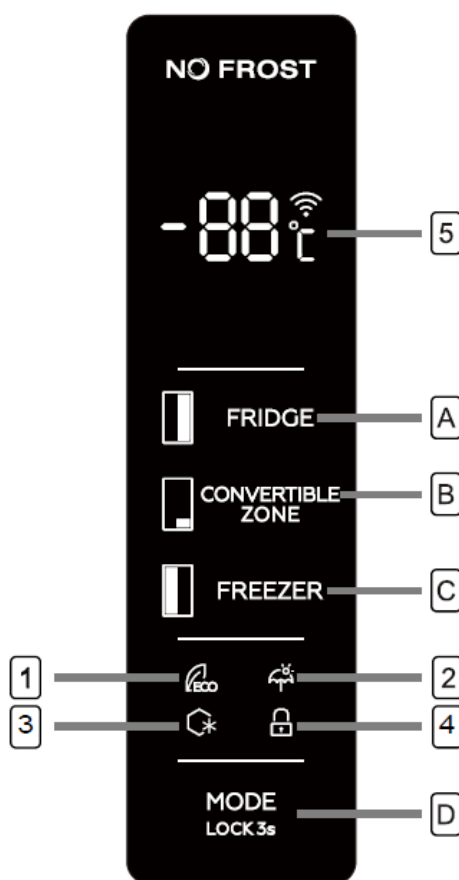
Elektromos csatlakoztatás

A csatlakoztatás előtt győződjön meg, hogy az adatlapon szereplő áramfeszültség és frekvencia megfelel a házi áramellátásnak. A készüléket le kell földelni. Ennek céljából, a villásdugót ellátták egy érintkezővel. Amennyiben a házi áramellátás nem földeléses, külön földelés szükséges, az érvényes rendszabályoknak megfelelően, lépjen kapcsolatba egy szakképzett villanyszerelővel.

A gyártó nem vállal semmilyen felelősséget a termékkel kapcsolatban, amennyiben a fenti biztonsági intézkedések nincsenek betartva. Ez a készülék megfelel a CEE rendelkezésnek.

11. MINDENNAPI HASZNÁLAT

A távirányító használata



Gombok

A. Nyomja meg ezt a gombot a hűtőtér hőmérsékletének (jobb oldalon található) 2 °C és 8 °C közötti beállításához és a hűtési funkció kikapcsolásához (- -).

B. Nyomja meg ezt a gombot az átalakítható zóna hőmérsékletének 5 °C és - 3 °C közötti beállításához és a hűtési funkció kikapcsolásához (- -).

C – Nyomja meg ezt a gombot a (bal oldalon található) fagyasztó hőmérsékletének szabályozására -14°C és -22°C között.

D. Nyomja meg ezt a gombot az ECO, HOLIDAY, SUPER FREEZING és CUSTOM (EGYÉNI) üzemmódok közötti váltáshoz (nincs szimbólum a kijelzőn).

Tartsa lenyomva a „3 SEC” gombot 3 másodpercig, majd a másik három gomb zárolásához tartsa lenyomva. Nyomja meg és tartsa lenyomva a gombot 3 másodpercig a másik három gomb reteszelésének feloldásához.

Kijelző

1. „ECO” üzemmód

Nyomja le a „MODE” gombot a „ECO” üzemmód kiválasztása érdekében. Az „ECO” piktogram 5 másodpercig villog, majd folyamatosan világít.

Az „ECO” üzemmód használata esetén a hűtőrekesz hőmérséklete 6°C, illetve a fagyasztó rekesz hőmérséklete -16°C.

A „FRIDGE” vagy a „FREEZER” gombok lenyomása nem változtat a beállításokon, csupán az „ECO” piktogram villan fel három másodpercre emlékeztetőül. Az átalakítható rekesz hőmérséklete külön állítható.

„ECO” üzemmód kikapcsolása:

Ha inaktíválni szeretné az „ECO” üzemmódot, egy másik üzemmód kiválasztása érdekében nyomja le a „MODE” gombot.

2. „Vakáció” üzemmód

Nyomja le a „MODE” gombot a „Vakáció” üzemmód kiválasztása érdekében. A piktogram 5 másodpercig villog, majd folyamatosan világít. A hűtő rész hőmérséklete 17°C-ra lesz állítva. A „FRIDGE” gomb lenyomása nem változtat a beállításokon, csupán az „Vakáció” piktogram villan fel három másodpercre emlékeztetőül.

A fagyasztórekesz és az átalakítható rekesz hőmérséklete külön állítható.

„Vakáció” üzemmód kikapcsolása

Ha szeretne kilépni a „Vakáció” üzemmódból, nyomja le a „MODE” gombot, így választhat egy másik üzemmódot.

3. „SUPER” fagyasztási funkció

Nyomja meg a „MODE” gombot a „SUPER” funkció aktiválásához. Az ikon 5 másodpercig villog, majd világít.

„SUPER” fagyasztási funkció

A fagyasztórekesz hőmérséklete -25 fokon van rögzítve. A „FREEZER” gomb lenyomása nem változtat a beállításokon, csupán a piktogram villan fel három másodpercre emlékeztetőül.

A hűtőrekesz és az átalakítható rekesz hőmérséklete külön-külön is beállítható.

„SUPER” fagyasztási funkció a következőképpen kell kikapcsolni:

- a „SUPER” fagyasztási funkció kézi kikapcsolása.
- ha a „SUPER” fagyasztási funkció több mint 50 órán keresztül aktív volt.

4. A LOCK jelzés kigyúl a gombok blokkolása esetén.

5. A **hőmérséklet-kijelző** a hűtőrekeszben/átalakítható rekeszben/fagyasztórekeszben beállított hőmérsékletet mutatja.

Figyelmeztetés az ajtó kinyitásával kapcsolatban

Amikor az egyik ajtó nyitva van, vagy félig nyitva marad, körülbelül 60 másodpercig, a készülék hangjelzést ad ki. A hangjelzés elhallgat az ajtó becsukásakor.

Ha egy ajtó nem záródik megfelelően, a készülék 30 másodpercenként hangjelzést ad, amíg az ajtó be nem záródik.

Ha az ajtók 10 percig nyitva maradnak, a belső LED-lámpa automatikusan kialszik.


Gyermekzár funkció

Ez a funkció megakadályozza, hogy a gyermekek elindítsák a készüléket.

Ennek a funkciónak az aktiválásához, nyomja meg és tartsa lenyomva a LOCK 3s gombot körülbelül 3

másodpercig. A  fényjelző kigyúl, jelezve, hogy a funkció aktív.

Ezen funkció dezaktiválásához, nyomja meg és tartsa lenyomva a LOCK 3s gombot körülbelül 3 másodpercig.

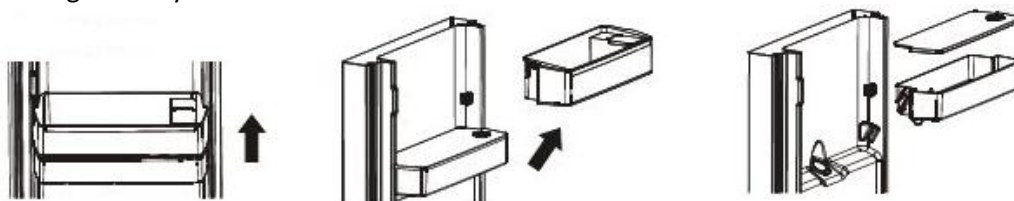
A  fényjelző kigyúl, jelezve, hogy a gyermekzár kikapcsolt.

A vízadagoló használata

Az első használat előtt

A vízadagoló első használata előtt, távolítsa el és tisztítsa ki a hűtőszekrény belsejében található víztartályt.

1. Előbb vegye ki a víztartály feletti polcot, majd távolítsa el a tartályt és ennek fedelét. Vegye le a felső fedelet, majd tisztítsa meg a tartályt és a fedelet.



2. A tisztítás után tegye vissza a víztartályt, ennek fedelét, valamint a polcot, ahogy azt az alábbi ábra mutatja.



3. Tisztítsa meg a hűtőszekrényen kívül található adagoló fedelét.



A víztartály feltöltése vízzel

1. Nyissa ki a kis fedelet.



2. Töltse fel a tartályt ivóvízzel (legtöbb 3 liter vízzel).

3. Csukja le a kis fedelet.



Adagoló használata

Az adagoló üzemeltetéséhez nyomja meg könnyedén ennek záró szelepét egy pohárral vagy egyéb edénnyel. A víz folyásának leállításához, engedje fel a záró szelepet.

Figyelem!

Ne tegyen a víztartályba egyéb folyadékot, csak ivóvizet. A gyümölcslé, szódavíz, alkoholtartalmú italok, stb. nem alkalmasak a vízadagolóban való használatra. Amennyiben egyéb folyadékkal tölti fel a tartályt, ez hibásan működhet, és megjavíthatatlanul sérülhet. Emellett az ilyen italokban jelen lévő egyes anyagok károsíthatják a víztartályt.

Csak tiszta ivóvizet használjon. A tartály kapacitása 3 liter. Ne töltse túl.

12. ELSŐ HASZNÁLAT

A készülék belsejének tisztítása

Mielőtt először használná, törölje le a készülék belsejét és minden belső tartozékát langyos vízzel és semleges tisztítószerrel, hogy elűzhesse az új termékekre jellemző szagot, majd jól szárítsa ki a készüléket.
FONTOS! Ne használjon maró hatású vegyszereket, mert ezek károsítják a készülék felületeit.

Kiolvasztás

Felhasználásuk előtt az élelmiszereket kiolvaszthatjuk a hűtő részben vagy szobahőmérsékleten annak függvényében, hogy mennyi idővel rendelkezünk ehhez a művelethez. A kis darabokat fagyasztott állapotban is főzhetjük, úgy ahogyan kivettük a fagyasztóból. Ebben az esetben a főzés ideje hosszabb lesz.

Jégkocka előállítás

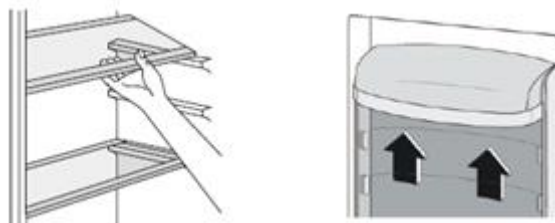
A készülékben egy vagy több tálca található jégkocka előállítására.

Kivehető polcok

A hűtőszekrény falai el vannak látva polctartókkal, hogy ezeken igénye szerint helyezhesse el a polcokat.

Az ajtópolcok elhelyezése

Annak érdekében, hogy különböző méretű termékeket helyezhessen el a polcokban, az ajtópolcokat különböző magasságban lehet elhelyezni. Ennek elvégzéséhez a következőképpen járjon el: húzza könnyedén a polcot a nyílak irányában, amíg ki nem jön, majd helyezze be a kívánt magasságban.



Napi használat

Az eltérő típusú élelmiszereket helyezze a különböző rezeszekbe, az alábbi táblázatban feltüntetett módon:

A hűtőszekrény rekeszei	Élelmiszer típusok
A mélyhűtő rezesz ajtó rácsai	Természetes tartósítószerrel tartalmazó élelmiszerek, valamint dzsemek, szörpök, italok, fűszerek. Ne tároljon hamar romlandó ételeket.
Zöldség- és gyümölcs tároló fiók	A gyümölcsöket, fűszernövényeket és zöldségeket helyezze külön a zöldség és gyümölcs tároló fiókba. Ne tároljon a hűtőben banánt, hagymát, krumplit vagy fokhagymát.
Hűtőszekrény polc	Tejtermékek, tojás, sütemények, tésztafélék, pizza Elkészítést nem igénylő élelmiszerek, készételek, kolbászok, maradék ételek.

Átalakítható rekesz	3°C~5°C: friss gyümölcsök és zöldségek 0°C~2°C: italok, sör, vörösbor -3°C~-1°C: élelmiszerek, például nyers hús, hal, tenger gyümölcsei, gombócok stb. hűtése rövid távú tárolásra.
Fagyasztórekesz	A hosszú ideig tárolható élelmiszerek részére. Tenger gyümölcsei, hal, hús, gombócok, fagyasztott sütemények.

Hőmérséklet-beállítási javaslatok

Hőmérséklet-beállítási javaslatok	
Környezeti hőmérséklet	Hőmérséklet beállítása
Nyár (38°C fölött)	2°C - ra beállított hűtő
	-20°C-ra beállított fagyasztó
Normál	4°C - ra beállított hűtő
	-18°C-ra beállított fagyasztó
Télen (16°C alatt)	5°C - ra beállított hűtő
	-18°C-ra beállított fagyasztó

A fenti információk a hőmérséklet beállítására vonatkozó javaslatokat nyújtják a felhasználók számára.

Az élelmiszerek tárolási időtartama

- A hőmérséklet beállítására vonatkozó javaslatok betartása esetén az élelmiszerek fagyasztóban tárolási időtartama 3 nap.
- A hőmérséklet beállítására vonatkozó javaslatok betartása esetén az élelmiszerek mélyhűtőben tárolási időtartama 1 hónap.
- Az élelmiszerek maximális tárolási időtartama egyéb beállítások esetén rövidebb lehet.

Tippek és hasznos tanácsok

A lehető leghatékonyabb fagyasztás érdekében, íme néhány fontos tanács:

- a 24 óra alatt lefagyasztható maximális mennyiség megtalálható a technikai adatokat tartalmazó címkén;
- a fagyasztási eljárás ideje: 24 óra. Ebben az időintervallumban nem adhatunk hozzá a fagyasztó részhez újabb élelmiszereket;

- csakis jó minőségű, friss és tiszta élelmiszereket fagyasszon;
- készítsen elő kis adagú élelmeket, melyek gyorsan és teljes mértékben lefagyaszthatóak, így később könnyebb a szükséges mennyiséget kiolvasztani;
- az élelmiszereket csomagolja be alumínium vagy polietilén fóliába és győződjön meg róla, hogy jól be lettek csomagolva;
- győződjön meg róla, hogy a friss, nem fagyasztott élelmiszerek nem érintkeznek a már mélyfagyasztott élelmiszerekkel, így elkerülheti ez utóbbi hőmérsékletének növekedését;
- a zsíradék nélküli élelmiszerek hosszabb ideig, jobban tartósíthatóak; a só csökkenti az élelmiszerek tartósíthatósági időszakát;
- a jégkrémet ha a mélyhűtőből való kivételt követően azonnal elfogyasztjuk, a bőr sérüléséhez és fagyási sérülésekhez vezethet;
- ajánljuk, hogy minden csomagon tüntesse fel a lefagyasztás dátumát, így pontosan fogja tudni, hogy mennyi ideje van lefagyasztva az adott élelmiszer.

Tanácsok a fagyasztott élelmiszerek tárolására

A készülék optimális működése érdekében a következőket javasoljuk:

- Győződjön meg, hogy a kereskedelemben található fagyasztott élelmiszerek helyesen voltak tárolva az üzletben;
- Gondoskodjon arról, hogy a fagyasztott élelmiszerek az üzletből a lehető legrövidebb idő alatt a hűtőládába kerüljenek;
- Ne nyissa ki gyakran a hűtőláda ajtaját, ne hagyja nyitva a szükségesnél hosszabb ideig;

A kiolvasztott élelmiszerek gyorsan romlanak, és nem fagyaszthatók újra;
Ne haladja meg az élelmiszergyártó által megjelölt tárolási időszakot.

Ajánlatok a friss élelmiszerek hűtött tárolásához

Az optimális teljesítmény érdekében:

- Ne helyezzen be a készülékbe meleg ételt vagy párolgó folyadékot.
- Födje be vagy csomagolja be az ételeket, élelmiszereket, különösen abban az esetben, ha ezek erős szagot árasztanak.

Annak érdekében, hogy az élelmiszerek ne romoljanak meg, tartsa be az alábbi utasításokat:

- Ha a készülék ajtója huzamos ideig nyitva van, akkor a készülék rekeszeiben a hőmérséklet jelentősen megnő.
- Tisztítsa rendszeresen azokat a felületeket, amelyekkel az élelmiszerek érintkezhetnek, valamint a készülék lefolyó rendszerét is.
- A nyers húst valamint a friss halat tárolja megfelelő edényekben, hogy ne érintkezzen más élelmiszerekkel.
- A két csillaggal jelölt fagyasztó a gyorsfagyasztott élelmiszerek tárolására, fagylalt készítésére vagy tárolására és jégkocka készítésére alkalmas.
- Az egy, két és három csillagos fagyasztó a friss ételek fagyasztására nem alkalmas.

Megjegyzés: Kérjük, tárolja az élelmiszereket a nekik megfelelő rekeszekben és a nekik megfelelő hőmérsékleten.

- Ha a fagyasztó készülék hosszú ideig üres, kapcsolja ki, takarítsa ki, törölje ki jól és hagyja az ajtaját nyitva, hogy megelőzze a penész keletkezését a készülék belsejében.

Vízadagoló tisztán tartása (a vízadagolóval ellátott készülékek esetén): Tisztítsa a víztároló edényt abban az esetben ha 48 órán át nem használja a vízadagolókat, abban az esetben ha 5 napig nem használják a rendszert a vízhálózatához csatlakozó részeket el kell távolítani.

Sorszám:	Fagyasztó rész típusa:	Javasolt tárolási hőmérséklet [°C]	Élelmiszer
1	Hűtés	+2≤+6	Tojás, főtt ételek, csomagolt élelmiszer, gyümölcs és zöldség, tejtermék, a sütemények és italok fagyasztása nem megengedett.
2	(***)*- Fagyasztás	≤-18	A tenger gyümölcsei, hal, garnélarák, rákfélék, akvakultúra-termékek és a húsfélék fagyasztása javasolt (javasolt tárolási idő 3 hónap, a tárolási idő növekedésével fokozatosan veszítenek az ízükből és tápértékükből.)
3	***-Fagyasztás	≤-18	A tenger gyümölcsei, hal, garnélarák, rákfélék, akvakultúra-termékek és a húsfélék fagyasztása nem javasolt (javasolt tárolási idő 3 hónap, a tárolási idő növekedésével fokozatosan veszítenek az ízükből és tápértékükből.)
4	** -Fagyasztás	≤-12	A tenger gyümölcsei, hal, garnélarák, rákfélék, akvakultúra-termékek és a húsfélék fagyasztása nem javasolt (javasolt tárolási idő 2 hónap, a tárolási idő növekedésével fokozatosan veszítenek az ízükből és tápértékükből.)
5	*-Fagyasztás	≤-6	A tenger gyümölcsei, hal, garnélarák, rákfélék, akvakultúra-termékek és a húsfélék fagyasztása nem javasolt (javasolt tárolási idő 1 hónap, a tárolási idő növekedésével fokozatosan veszítenek az ízükből és tápértékükből.)
6	Csillag nélkül	-6≤0	Friss disznó-, borjú- és csirkehús, friss hal, különböző feldolgozott és csomagolt élelmiszerek stb. (javasolt azon a napon elfogyasztani, illetve legkésőbb három napon belül.) Feldolgozott élelmiszerek, részben csomagolva (nem fagyasztható élelmiszerek)
7	Hűtés	-2≤+3	Friss/fagyasztott disznó, borjú, csirke hús, akvakultúra-termékek, stb. (ezeket az élelmiszereket legtöbb 7 napot lehet tárolni 0°C alatti hőmérsékleten; 0 °C fölötti hőmérsékleten való tárolás esetén javasolt még aznap de legtöbb 2 napon belül elfogyasztani.) Tenger gyümölcsei (ezeket az élelmiszereket 15 napot lehet tárolni 0°C alatti hőmérsékleten, ezek tárolását nem javasolják 0°C fölött.)
8	Friss élelmiszerek	0≤+4	A friss disznó-, borjú-, csirkehús, főtt étel stb. (javasolt ugyanazon a napon vagy legkésőbb 3 napon belül elfogyasztani)
9	Bor	+5≤+20	vörös bor, fehér bor, pezsgőbor stb.

Javaslatok a hűtéshez

Hasznos tanácsok:

- A húst (bármely fajtát) polietilén fóliába csomagoljuk és a zöldségek és gyümölcsök részére kialakított fiók fölötti üvegpolcra helyezzük.
- A biztonság érdekében, ilyen módon legfeljebb egy vagy két napig tárolja így a húst.
- A főtt ételek, a felvágottak stb.: ezeket le kell takarni és bármely polcon elhelyezni.
- Gyümölcsök és zöldségek: ezeket jól meg kell pucolni és elhelyezni az ezeknek szánt fiókokba.
- Vaj és sajtfélék: ezeket speciális tárolóedénybe kell helyezni, melyek hermetikusan zárnak vagy legalább alumínium vagy polietilén fóliába tekerni a lehető legszorosabban.
- Tej: jól záró üvegben, a hűtőszekrény ajtajában levő polcon kell tárolni.
- Ha nincsenek becsomagolva, a banánt, a krumplit, a hagymát és a fokhagymát ne tárolja a hűtőszekrényben.

13. ELSŐ HASZNÁLAT

Higiéniiai okokból a hűtőszekrény belsejét, ideértve a tartozékokat is, rendszeresen tisztítani kell.

Figyelem! A készüléket húzza ki az elektromos hálózatról a tisztítás idejére. Áramütés veszély! Tisztítás előtt kapcsolja ki a készüléket, és húzza ki a konnektorból, vagy szakítsa meg az áramellátást vezérlő gombtól, illetve a főbiztosítéktól. A tisztításhoz soha ne használjon gőzkeltő készüléket. A nedvesség lerakódhat az elektromos összetevőkben. A meleg gőz megrongálhatja a műanyag részeket. Üzembe visszahelyezés előtt, győződjön meg, hogy a készülék teljesen kiszáradt.

Fontos! Az éterolajak és a szerves oldószerek, mint például a citromlé vagy a narancshéj leve, a vajsav, az ecetsavat tartalmazó tisztítószerek, megrongálhatják a műanyag részeket.

- Ne hagyja, hogy ilyen anyagok a készülék komponenseivel érintkezzenek.
- Ne használjon dörzshatású tisztítószereket.
- Vegye ki az élelmiszereket. Helyezze hűvös helyre, jól letakarva.
- Kapcsolja ki a készüléket, és húzza ki a konnektorból, vagy szakítsa meg az áramellátást vezérlő gombtól, illetve a főbiztosítéktól.
- A készüléket és a belső részeket mossa le egy törülköendővel, langyos vízzel. Tisztítás után öblítse le tiszta vízzel és törölje szárazra egy száraz törülköendővel.
- Miután minden összetevő teljesen kiszáradt, helyezze ismét működésbe a készüléket.

14. HIBAELHÁRÍTÁS

Figyelem! Hibaelhárítás előtt húzza ki a készüléket a villamos hálózatról. Azokat a hibákat, amelyek nem szerepelnek ebben a kézikönyvben, kizárólag szakosított villanyszerelő, vagy illetékes személy háríthatja el.

Figyelem! A szokványos használat alatt hallatszik néhány zaj (kompresszor, a hűtőfolyadék áramlása).

Hiba	Lehetséges ok	Megoldás
A készülék nem működik	A dugaszt az aljzatba nem megfelelően helyezték be.	Helyezze be a dugaszt az aljzatba.
	A biztosíték kiégett vagy meghibásodott.	Ellenőrizze a biztosítékot. Szükség esetén cserélje ki.
	A dugasz meghibásodott.	A villamossági rendszer meghibásodásait kizárólag szakképzett villanyszerelővel javíttassa meg.

Az élelmiszerek túl melegek.	A hőmérséklet értéke nem megfelelő.	Olvassa el a hőmérséklet szabályozását leíró részt.
	Az ajtó túlságosan hosszú ideig maradt nyitva.	Ne tartsa nyitva az ajtót a szükségesnél hosszabb ideig.
	Az elmúlt 24 órában nagy mennyiségű meleg élelmiszer került be a hűtőszekrénybe.	Ideiglenesen csavarja el a hőmérsékletállító gombot egy magasabb állásba.
	A berendezés egy hőforráshoz közel helyezkedik el.	Kérjük, olvassa el a berendezés elhelyezésére vonatkozó részeket.
A berendezés túlságosan hűt.	A beállított hőmérséklet túlságosan alacsony.	Ideiglenesen csavarja el a hőmérsékletállító gombot egy alacsonyabb állásba.
Szokatlan zajok hallatszanak	A berendezés nem áll stabilan.	Állítsa a lábak magasságát.
	A berendezés a fallal vagy egyéb tárgyakkal érintkezik.	Mozdítsa el kicsit a berendezést.
	Egy adott alkatrész (például a készülék egyik csöve) a falhoz vagy egy másik alkatrészhez ér hozzá.	Amennyiben szükséges, óvatosan hajlítsa meg az alkatrészt, hogy az semmihez se érheszen hozzá.
Erős dérlerakódás az ajtó tömítésen	Az ajtó tömítés nem légmentes	Óvatosan melegítse fel az ajtó tömítés szivárgó részeit hajszárirítóval (hűvös fokozaton). Ezzel egyidejűleg a felmelegített ajtó tömítést kézzel alakítsa úgy, hogy az megfelelően illeszkedjen
A készülék oldalfalai felforrósodtak.	Ez természetes jelenség. A hőcserélők az oldalfalakban vannak.	Ha szükséges, használjon védőkesztyűt.

SZERVIZ ÉS ÜGYFÉLSZOLGÁLAT

Kizárólag eredeti cserealkatrészeket használjon.

Mielőtt felvenné a kapcsolatot az engedélyezett szakszervizünkkel, győződjön meg róla, hogy a következő adatok a rendelkezésére állnak: Modell megnevezése és sorozatszám

Ezeket az adatokat a készülék műszaki adattábláján találja. Ezek az adatok előzetes értesítés nélkül is megváltoztathatók.

MŰSZAKI ADATOK

A termék műszaki adatai a készülék műszaki adattábláján és az energiacímkéjén vannak feltüntetve.

A hűtőszekrény energiacímkéjén található QR-kód egy internetes linket biztosít a készülék teljesítményével kapcsolatos információkhoz, melyek az EPREL adatbázisban találhatóak.

Utólagos tanulmányozás céljából, őrizze meg az energiacímkét a használati útmutatóval valamint a készülék egyéb dokumentumaival együtt.

Úgyszintén, ezeket az információkat az EPREL adatbázisban is megtalálja. Ennek érdekében használja a következő linket: <https://eprel.ec.europa.eu> és adja meg a termék megnevezését és sorozatszámát, amelyeket a készülék műszaki adattábláján talál.

A termékével kapcsolatos információk eléréséhez az EPREL portálon beolvashatja az alábbi kódokat:

Köszönjük, hogy termékünket választotta! Ha termékével kapcsolatosan további információkra van szüksége, keresse fel honlapunkat az alábbi linkeket használva:



A használati útmutatókat innen töltheti le: <https://www.heinner.ro>

A javításokra vonatkozó adatokat itt találja: <https://www.heinner.ro>



A hulladékok környezetfelelős eltávolítása

Segíthet a környezet védelmében!

Kérjük, tartsa be a helyi rendelkezéseket: a nem működő elektromos berendezéseket a használt elektromos hulladékokat gyűjtő központba szolgáltatassa be.



A HEINNER a Network One Distribution SRL(KFT) társaság által bejegyzett védjegy. A többi márkajelzés és a termékek megnevezése kereskedelmi vagy az illető birtoklók által bejegyzett márkanevek.

A műszaki leírások egyik része sem reprodukálható semmilyen formában és semmilyen módon, és nem használható fel fordításra, átváltoztatásra vagy alkalmazásra a NETWORK ONE DISTRIBUTION társaság előzetes bejegyzése nélkül.

Copyright © 2013 Network One Distribution. Minden jog fenntartva.

www.heinner.com, <http://www.nod.ro>

<http://www.heinner.com>, <http://www.nod.ro>



A terméket az Európai Közösség előírásainak és jogszabályainak megfelelően tervezték és gyártották.



Importator: **Network One Distribution**

Str. Marcel Iancu, nr. 3-5, București, România

Tel: +4s0 21 211 18 56, www.heinner.com, www.nod.ro