

COMBI FRIDGE

Model:

HCNF-HM293XF+



- Combi fridge
- Total capacity: 293 L
- Energy class: F

HEINNER

1. INTRODUCTION

Please read the instructions carefully and keep the manual for future information.

This manual is designed to give all necessary instructions concerning installation, use and maintenance of the unit. In order to operate the unit correctly and safely, please read this instruction manual carefully before installation and use.

2. CONTENT OF YOUR PACKAGE

- ➔ **Combi fridge**
- ➔ **User manual**
- ➔ **Certificate of warranty**

3. SAFETY INFORMATION

In the interest of your safety and to ensure the correct use, before installing and first using the appliance, read this user manual carefully, including its hints and warnings. To avoid unnecessary mistakes and accidents, it is important to ensure that all people using the appliance are thoroughly familiar with its operation and safety features. Save these instructions and make sure that they remain with the appliance if it is moved or sold, so that everyone using it through its life will be properly informed on appliance use and safety.

For the safety of life and property keep the precautions of these user's instructions as the manufacturer is not responsible for damages caused by omission.

Children and vulnerable people safety

- This appliance can be used by children aged from 8 years and above and persons with reduced physical, sensory or mental capabilities or lack of experience and knowledge if they have been given supervision or instruction concerning use of the appliance in a safe way and understand the hazards involved.
- Children should be supervised to ensure that they do not play with the appliance.
- Cleaning and user maintenance shall not be made by children unless they are aged from 8 years and above and supervised.
- Keep all packaging well away from children. There is risk of suffocation.
- If you are discarding the appliance pull the plug out of the socket, cut the connection cable (as close to the appliance as you can) and remove the door to prevent playing children to suffer electric shock or to close themselves into it.
- If this appliance featuring magnetic door seals is to replace an older appliance having a spring lock (latch) on the door or lid, be sure to make that spring lock unusable before you discard the old appliance. This will prevent it from becoming a death trap for a child.
- Children aged from 3 to 8 years are allowed to load and unload refrigerating appliances (this clause applies only to the EU region).

General safety

Warning! Keep ventilation openings, in the appliance enclosure or in the built-in structure, clear of obstruction.

Warning! Do not use mechanical devices or other means to accelerate the defrosting process, other than those recommended by the manufacturer.

Warning! Do not damage the refrigerant circuit.

Warning! Do not use other electrical appliances (such as ice cream makers) inside of refrigerating appliances, unless they are approved for this purpose by the manufacturer.

Warning! Do not touch the light bulb if it has been on for a long period of time because it could be very hot.

Warning! When positioning the appliance, ensure the supply cord is not trapped or damaged.

Warning! Do not locate multiple portable socket-outlets or portable power supplies at the rear of the appliance.

- Do not store explosive substances such as aerosol cans with a flammable propellant in this appliance.
- The refrigerant isobutane (R600a) is contained within the refrigerant circuit of the appliance, a natural gas with a high level of environmental compatibility, which is nevertheless flammable.
- During transportation and installation of the appliance, be certain that none of the components of the refrigerant circuit become damaged.
 - avoid open flames and sources of ignition
 - thoroughly ventilate the room in which the appliance is situated
- It is dangerous to alter the specifications or modify this product in any way. Any damage to the cord may cause a short circuit, fire and/or electric shock.
- This appliance is intended to be used in household and similar applications as:
 - staff kitchen areas in shops, offices and other working environments;
 - farm houses and by clients in hotels, motels and other residential type environments;
 - bed and breakfast type environments;
 - catering and similar non(etail applications.

Warning! Any electrical components (plug, power cord, compressor and etc.) must be replaced by a certified service agent or qualified service personnel.

Warning! The light bulb supplied with this appliance is a “special use lamp bulb” usable only with the appliance supplied. This “special use lamp” is not usable for domestic lighting. (if there is a light in the compartment)

- Power cord must not be lengthened.
- Make sure that the power plug is not squashed or damaged by the back of the appliance. A squashed or damaged power plug may overheat and cause a fire.
- Make sure that you can come to the mains plug of the appliance.
- Do not pull the mains cable.
- If the power plug socket is loose, do not insert the power plug. There is a risk of electric shock or fire.
- You must not operate the appliance without the lamp.
- This appliance is heavy. Care should be taken when moving it.
- Do not remove nor touch items from the freezer compartment if you hands are damp/wet, as this could cause skin abrasions or frost/freezer burns.
- Avoid prolonged exposure of the appliance to direct sunlight.



Warning! Risk of fire

If the refrigerant circuit should be damaged:

- Avoid opening flames and sources of ignition.
- Thoroughly ventilate the room in which the appliance is situated.



Warning! During using, service and disposal the appliance, please pay attention to symbol similar as left side, which is located on rear of appliance (rear panel or compressor) and with yellow or orange color. It's risk of fire warning symbol. There are flammable materials in refrigerant pipes and compressor. Please be far away fire source during using, service and disposal.

Daily use

- Do not put hot on the plastic parts in the appliance.
- Do not place food products directly against the rear wall.
- Frozen food must not be re-frozen once it has been thawed out.
- Store pre-packed frozen food in accordance with the frozen food manufacturer's instructions.
- Appliances manufactures storage recommendations should be strictly adhered to. Refer to relevant instructions.

- Do not place carbonated or fizzy drinks in the freezer compartment as it creates pressure on the container, which may cause it to explode, resulting in damage to the appliance.
- Ice lollies can cause frost burns if consumed straight from the appliance.

Care and cleaning

- Before maintenance, switch off the appliance and disconnect the mains plug from the mains socket.
- Do not clean the appliance with metal objects.
- Do not use sharp objects to remove frost from the appliance. Use a plastic scraper.¹⁾
- Regularly examine the drain in the refrigerator for defrosted water. If necessary, clean the drain. If the drain is blocked, water will collect in the bottom of the appliance.²⁾

1) If there is a freezer compartment

2) If there is a fresh-food storage compartment

Installation

Important! For electrical connection carefully follow the instructions given in specific paragraphs.

- Unpack the appliance and check if there are damages on it. Do not connect the appliance if it is damaged. Report possible damages immediately to the place you bought it. In that case retain packing.
- It is advisable to wait at least four hours before connecting the appliance to allow the oil to flow back in the compressor.
- Adequate air circulation should be around the appliance, lacking this leads to overheating. To achieve sufficient ventilation, follow the instructions relevant to installation.
- Wherever possible the spacers of the product should be against a wall to avoid touching or catching warm parts (compressor, condenser) to prevent possible burn.
- The appliance must not be located close to radiators or cookers.
- Make sure that the mains plug is accessible after the installation of the appliance.

Service


- Any electrical work required to do the servicing of the appliance should be carried out by a qualified electrician or competent person.
- This product must be serviced by an authorized Service Center, and only genuine spare parts must be used.

Energy saving

- Don't put hot food in the appliance.
- Don't pack food close together as this prevents air circulating.
- Make sure food do not touch the back of the compartment(s).
- If electricity goes off, do not open the door(s).
- Don't open the door(s) frequently.
- Don't keep the door(s) open for too long time.
- Don't set the thermostat on exceeding cold temperatures.
- All accessories, such as drawers, shelves, door balconies should be kept in original place for lower energy consumption.

Environment protection & packing materials

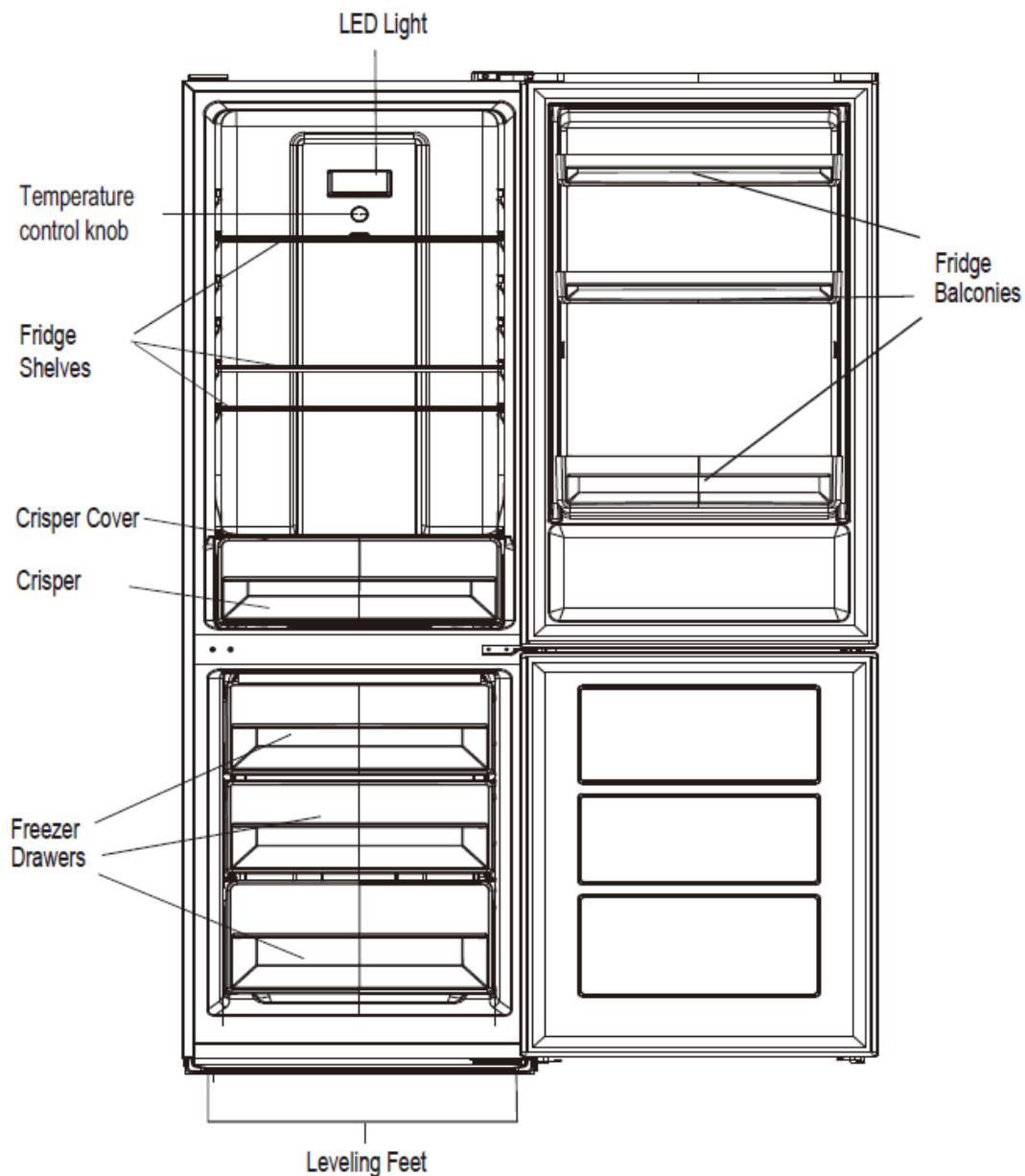
This appliance does not contain gasses which could damage the ozone layer, in either its refrigerant circuit or insulation materials. The appliance shall not be discarded together with the urban refuse and rubbish. The

insulation foam contains flammable gases: the appliance shall be disposed according to the appliance regulations to obtain from your local authorities. Avoid damaging the cooling unit, especially the heat exchanger. The materials used on this appliance marked by the symbol  are recyclable. The materials with the symbol are recyclable. Dispose the packaging in a suitable collection containers to recycle it.

Disposal of the appliance

- Disconnect the mains plug from the mains socket.
- Cut off the mains cable and discard it.

4. PRODUCT DESCRIPTION



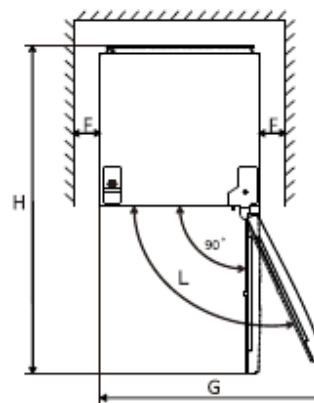
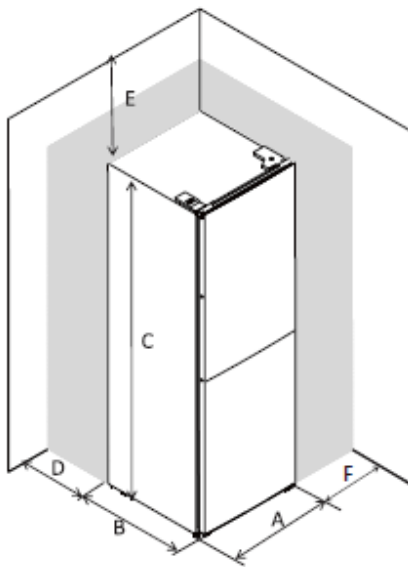
To get the best energy efficiency of this product, please place all shelves, drawers on their original position as the illustration.

Note: Above picture is for reference only. Real appliance probably is different.

5. INSTALLATION

Space requirement

- Select a location without direct exposure to sunlight.
- Select a location with enough space for the refrigerator doors to open easily.
- Select a location with level (or nearly level) flooring.
- Allow sufficient space to install the refrigerator on a flat surface.
- Allow clearance to the right, left, back and top when installing. This will help reduce power consumption and keep your energy bills lower.
- Keep at least 50 mm gap at two sides and back.



A	600
B	600
C	1860
D	min=50
E	min=50
F	min=50
G	1200
H	1200
L	135°

Positioning

Install this appliance at a location where the ambient temperature corresponds to the climate class indicated on the rating plate of the appliance:

For refrigerating appliances with climate class:

- extended temperate: this refrigerating appliance is intended to be used at ambient temperatures ranging from 10°C to 32°C (SN);
- temperate: this refrigerating appliance is intended to be used at ambient temperatures ranging from 16°C to 32°C (N);
- subtropical: this refrigerating appliance is intended to be used at ambient temperatures ranging from 16°C to 38°C (ST);
- tropical: this refrigerating appliance is intended to be used at ambient temperatures ranging from 16°C to 43°C (T).

Location

The appliance should be installed well away from sources of heat such as radiators, boilers, direct sunlight etc. Ensure that air can circulate freely around the back of the cabinet. To ensure best performance, if the appliance is positioned below an overhanging wall unit, the minimum distance between the top of the cabinet and the wall unit must be at least 50 mm. Ideally, however, the appliance should not be positioned below overhanging wall units. Accurate leveling is ensured by one or more adjustable feet at the base of the cabinet.

This refrigerating appliance is not intended to be used as a built-in appliance.

Warning! It must be possible to disconnect the appliance from the mains power supply; the plug must therefore be easily accessible after installation.

Electrical connection

Before plugging in, ensure that the voltage and frequency shown on the rating plate correspond to your domestic power supply. The appliance must be earthed. The power supply cable plug is provided with a contact for this purpose. If the domestic power supply socket is not earthed, connect the appliance to a separate earth in compliance with current regulations, consulting a qualified electrician.

The manufacturer declines all responsibility if the above safety precautions are not observed. This appliance complies with the E.E.C. Directives.

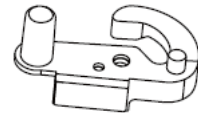
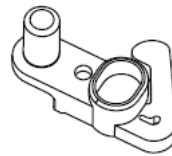
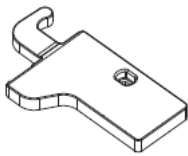
Door reversibility

Before reversing the door, please be prepared below tools and material: straight screwdriver, cross screwdriver, spanner and the components included in the poly bag:

Left Door Hinge Cover x 1

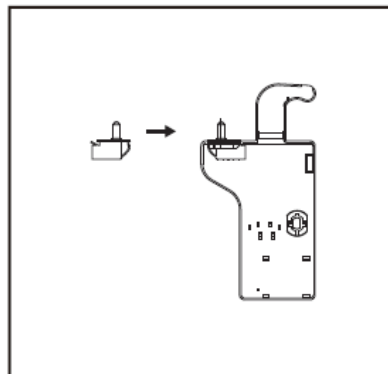
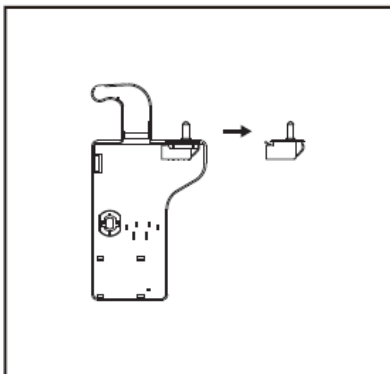
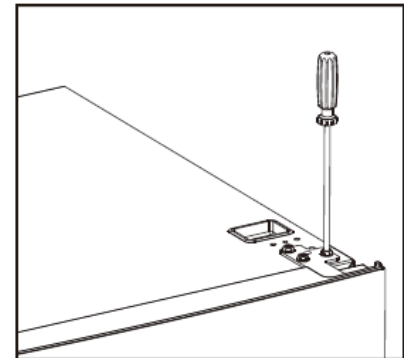
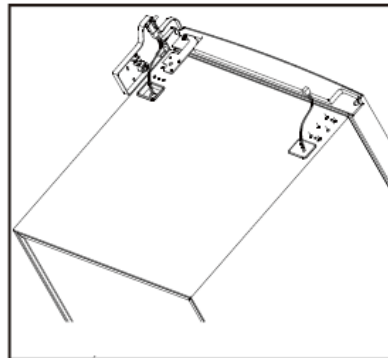
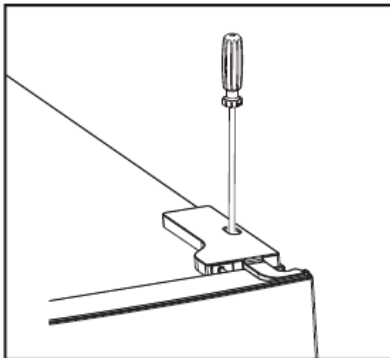
Left Aid-Closer on Upper Door x 1

Left Aid-Closer on Lower Door x 1

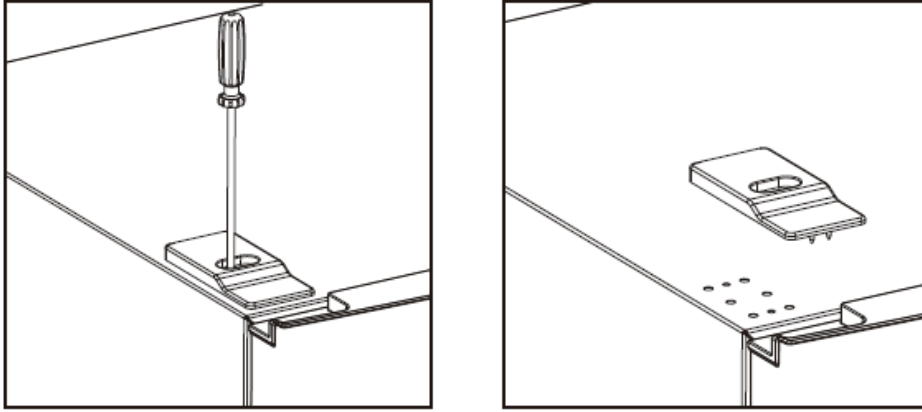


1. Unscrew top hinge cover and then unscrew the top hinge.

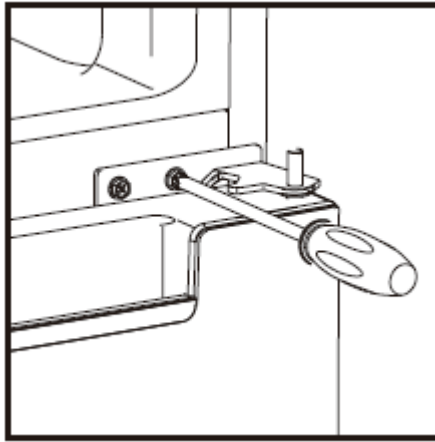
Then lift upper door and place it on a soft pad to avoid scratch and damage.



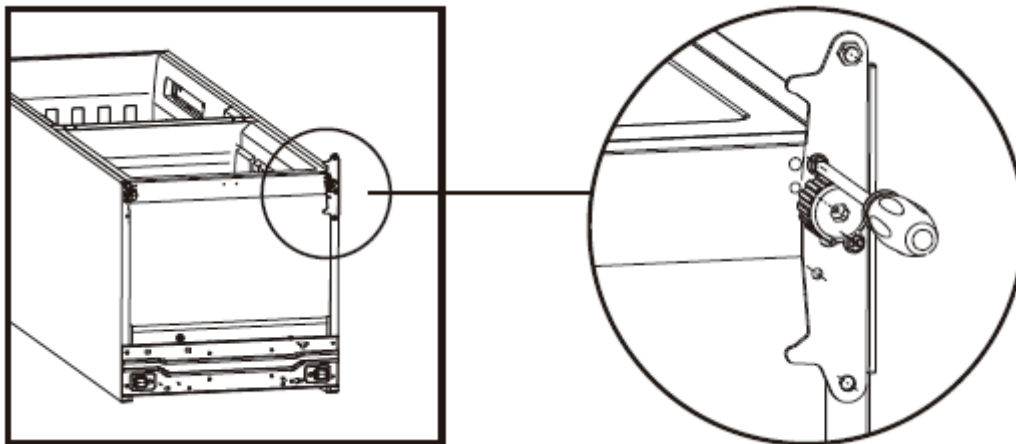
2. Remove the top left screw cover.



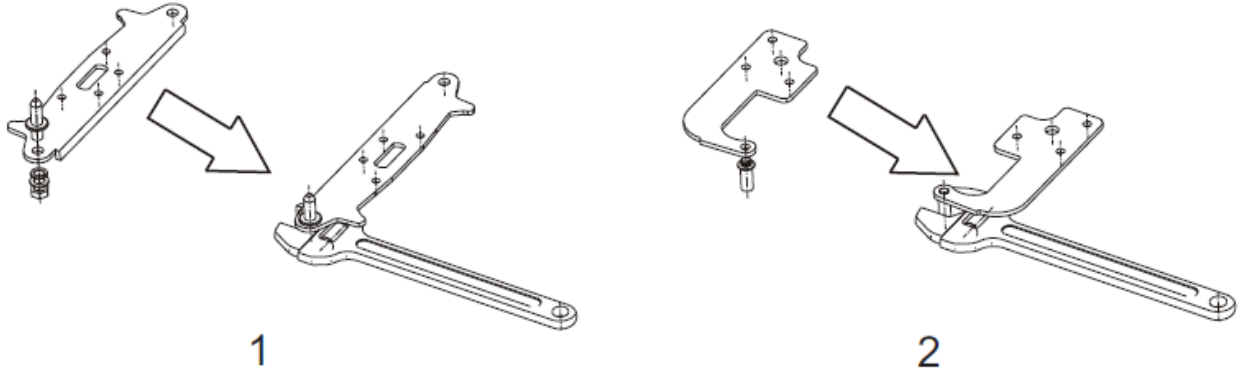
3. Take off the upper door, take out the screw from the middle hinge by cross screwdriver, then take off the lower door.



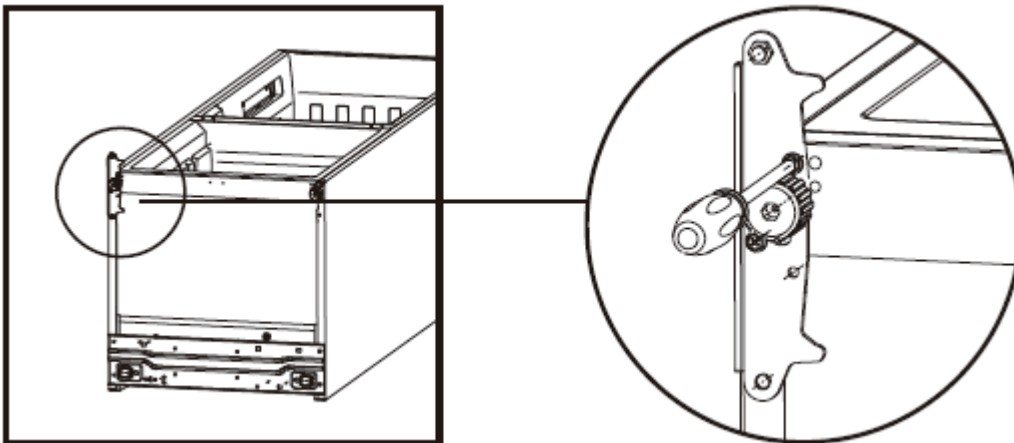
4. Laying down the refrigerator, take out the adjusting feet as below, then take off the lower hinge by cross screwdriver.



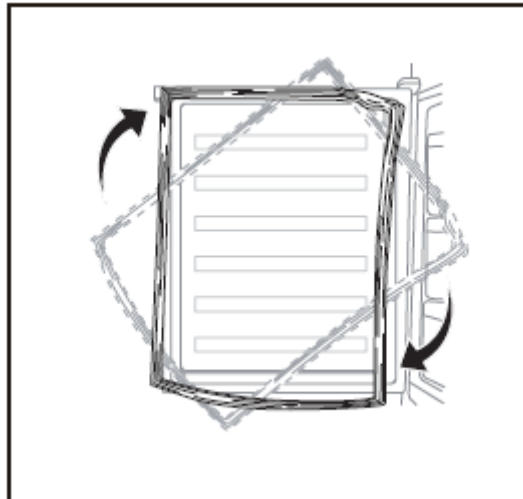
5. Adjusting the hinge core position of the lower hinge and upper hinge to opposite position.



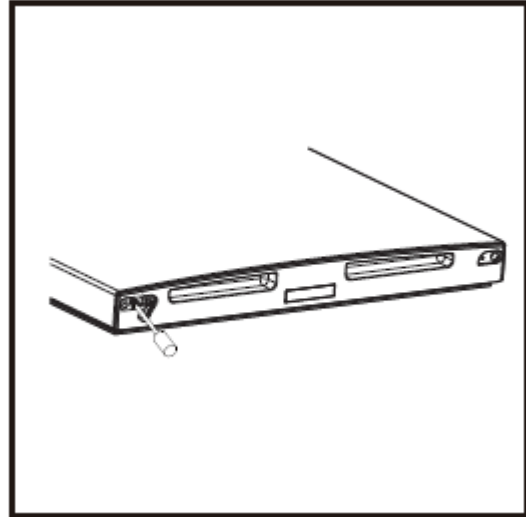
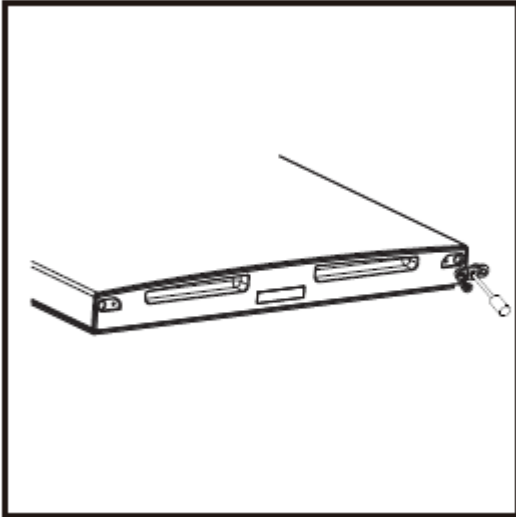
6. Install the lower hinge under to the refrigerator like below, screwing in the adjusting feet, make sure the position in horizon.



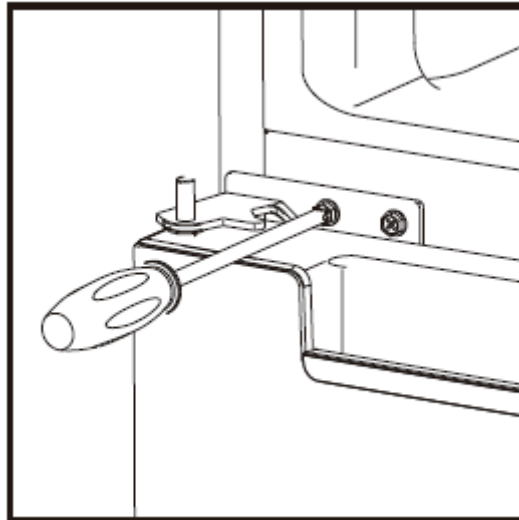
7. Detach the Fridge and the Freezer door gaskets and then attach them after rotating.



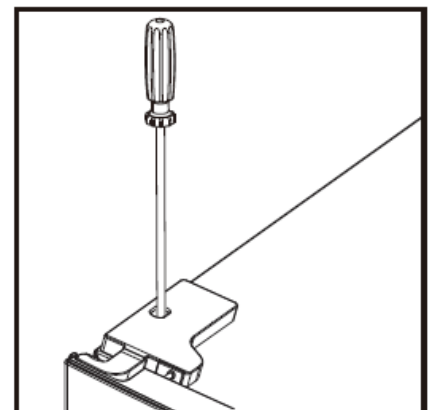
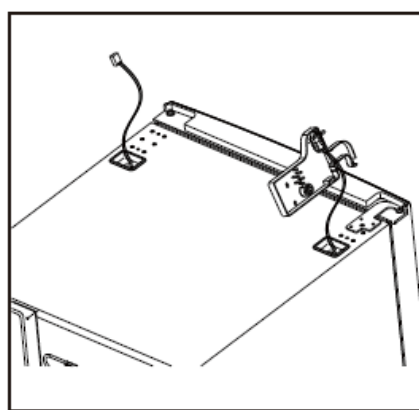
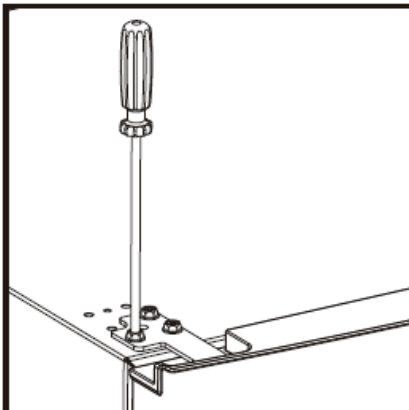
8. Remove the original aid-closers from upper and lower door, then install the aid-closers from the internal bag (with instruction manuals) to the opposite side.



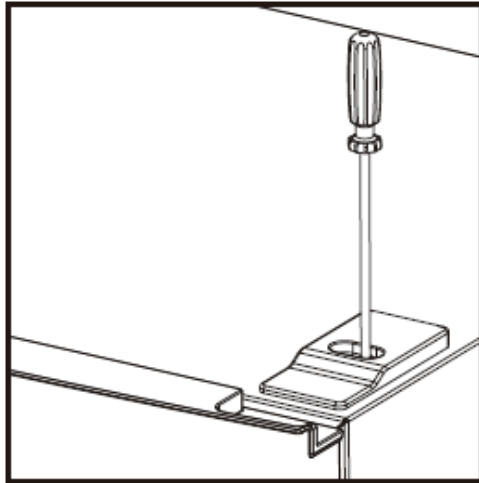
9. Install the lower door, adjust and fix the middle hinge onto the cabinet.



10. Place the upper door back on. Ensure the door is aligned horizontally and vertically so that the seal are closed on all sides before finally tightening the top hinge. Then insert the top hinge and screw it to the top of unit and then fix hinge cover (in accessory bag) by screw.

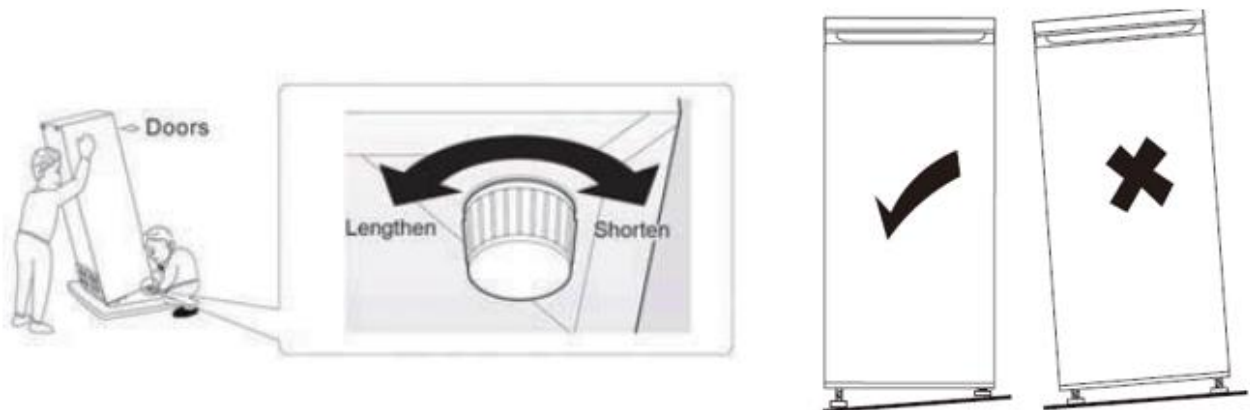


11. Fix the screw cover.



Levelling the unit

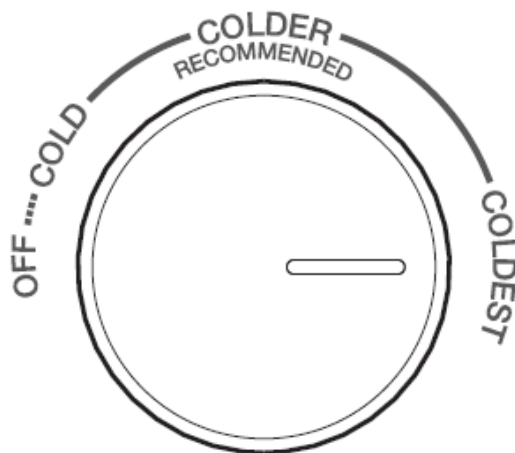
To do this adjust the two levelling feet at front of the unit. If the unit is not level, the doors and magnetic seal alignments will not be covered properly.



6. CONTROL PANEL

Temperature setting of the fridge compartment

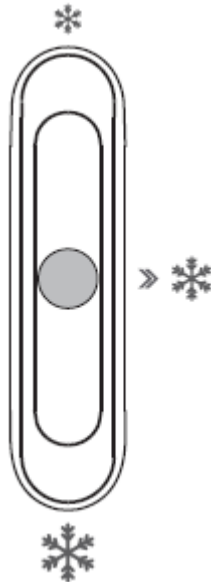
The fridge temperature setting knob.



- The knob in fridge compartment is used to adjust temperature of fridge compartment.
- The internal temperature is controlled by a sensor. There are 4 settings: OFF, COLD, COLDER and COLDEST. COLD is warmest setting and COLDEST is coldest setting.
- The appliance may not operate at the correct temperature if it is in a particularly hot room or if you open the door often.
- Neither fridge, nor freezer compartment works when the setting is OFF.

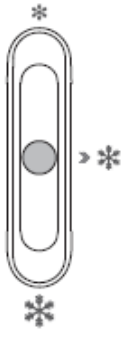
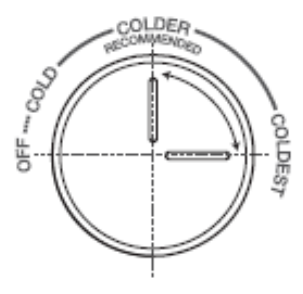
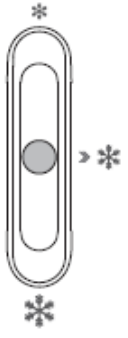
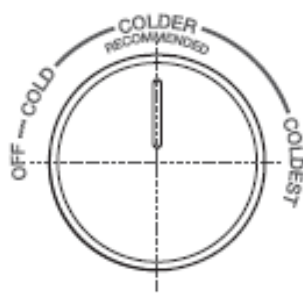
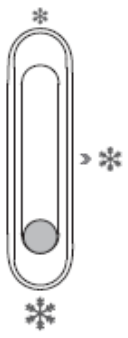
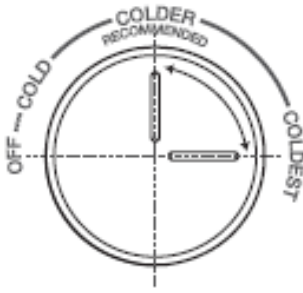
Temperature setting of the freezer compartment

The freezer temperature setting slider.



- This slider in fridge compartment is used to adjust temperature of freezer compartment.
- Slider is positioned toward ❄️, the temperature in freezer compartment will be higher. Contrarily, the temperature in freezer compartment will be lower if the slider is moved toward ❄️.
- Middle position ❄️ of slider is advised position for normal using.
- To get lowest temperature in freezer compartment, you can adjust setting knob at coldest and position the slider at ❄️.

Temperature setting recommendation

Temperature Setting Recommendation		
Environment Temperature	Freezer compartment	Fridge compartment
Summer (above 38°C)		 Set on colder~coldest
Normal		 Set on colder
Winter (below 16°C)		 Set on colder~coldest

- Information above give users recommendation of temperature setting.
- In winter or temperature below 16°C, users should avoid set on ❄️ and Cold.
- For energy saving, the ❄️ and Coldest set only apply to special need (such as quick-freezing or ice making), and need turn back after special need.

Note: High temperature setting will accelerate food waste.

7. DAILY USE

First use

Cleaning the interior

Before using the appliance for the first time, wash the interior and all internal accessories with lukewarm water and some neutral soap so as to remove the typical smell of a brand new product, then dry thoroughly.

Important! Do not use detergents or abrasive powders, as these will damage the finish.

Daily use

Position different food in different compartments according to be below table:

Refrigerator compartments	Type of food
Door or balconies of fridge compartment	Foods with natural preservatives, such as jams, juices, drinks, condiments. Do not store perishable foods.
Crisper drawer (salad drawer)	Fruits, herbs and vegetables should be placed separately in the crisper bin. Do not store bananas, onions, potatoes, garlic in the refrigerator
Fridge shelf – middle	Dairy products, eggs
Fridge shelf – top	Foods that do not need cooking, such as ready-to-eat foods, deli meats, leftovers.
Freezer drawer(s)/shelf	Foods for long-term storage. Bottom drawer/shelf for raw meat, poultry, fish. Middle drawer/shelf for frozen vegetables, chips. Top drawer/shelf for ice cream, frozen fruit, frozen baked goods

Freezing fresh food

- The freezer compartment is suitable for freezing fresh food and storing frozen and deep-frozen food for a long time.
- Place the fresh food to be frozen in the freezer compartment.
- The maximum amount of food that can be frozen in 24 hours is specified on the rating plate.
- The freezing process lasts 24 hours: during this period do not add other food to be frozen.

Storing frozen food

When first starting-up or after a period out of use, before putting the product in the compartment let the appliance run at least 2 hours on the higher settings.

Important! In the event of accidental defrosting, for example the power has been off for longer than the value shown in the technical characteristics chart under “rising time”, the defrosted food must be consumed quickly or cooked immediately and then re-frozen (after cooked).

Thawing

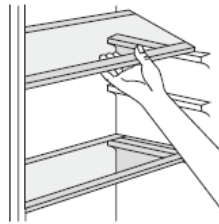
Deep-frozen or frozen food, prior to be used, can be thawed in the fridge compartment or at room temperature, depending on the time available for this operation.

Small pieces may even be cooked still frozen, directly from the freezer. In this case, cooking will take longer.

Accessories

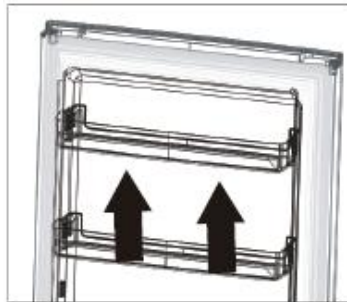
Movable shelves

The walls of the refrigerator are equipped with a series of runners so that the shelves can be positioned as desired.



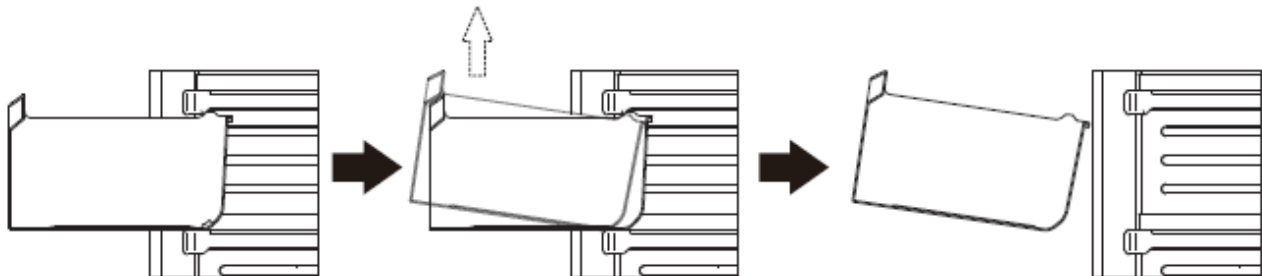
Positioning the door balconies

Door balconies can be disassembled for cleaning. To make the disassembling as follows: gradually pull the balcony in the direction of the arrows until it comes free, after cleaning, reposition it.



Disassemble the bottom drawer

1. Pull out the bottom drawer to stopper position.
2. Lift up the front of drawer.
3. Pull out the bottom drawer.



8. STORING THE FOOD

Hints for freezing

To help you make the most of the freezing process, here are some important hints:

- the maximum quantity of food which can be frozen in 24 hrs. is shown on the rating plate;
- the freezing process takes 24 hours. No further food to be frozen should be added during this period;
- only freeze top quality, fresh and thoroughly cleaned, foodstuffs;
- prepare food in small portions to enable it to be rapidly and completely frozen and to make it possible subsequently to thaw only the quantity required;
- wrap up the food in aluminium foil or polythene and make sure that the packages are airtight;
- do not allow fresh, unfrozen food to touch food which is already frozen, thus avoiding a rise in temperature of the latter;
- lean foods store better and longer than fatty ones; salt reduces the storage life of food;

- water ices, if consumed immediately after removal from the freezer compartment, can possibly cause the skin to be freeze burnt;
- it is advisable to show the freezing in date on each individual pack to enable you removal from the freezer compartment, can possibly cause the skin to be freeze burnt;
- it is advisable to show the freezing in date on each individual pack to enable you to keep tab of the storage time.

Hints for storage of frozen food

To obtain the best performance from this appliance, you should:

- make sure that the commercially frozen foodstuffs were adequately stored by the retailer;
- be sure that frozen foodstuffs are transferred from the food store to the freezer in the shortest possible time;
- not open the door frequently or leave it open longer than absolutely necessary.

Once defrosted, food deteriorates rapidly and cannot be refrozen.

Do not exceed the storage period indicated by the food manufacture.

Hints for fresh food refrigeration

To obtain the best performance:

- Do not store warm food or evaporating liquids in the refrigerator;
- Do cover or wrap the food, particularly if it has a strong flavour.

Hints for refrigeration

- Make (all types): wrap in polythene bags and place on the glass shelves above the vegetable drawer.
- For safety, store in this way only one or two days at the most.
- Cooked foods, cold dishes, etc.: these should be covered and may be placed on any shelf.
- Fruit and vegetables: these should be thoroughly cleaned and placed in the special drawer(s) provided.
- Butter and cheese: these should be placed in special airtight containers or wrapped in aluminum foil or polythene bags to exclude as much air as possible.
- Milk bottle: these should have a cap and should be stored in the balconies on the door.
- Bananas, potatoes, onions and garlic, if not packed, must not be kept in the fridge.

To avoid contamination of food, please respect the following instructions:

- Opening the door for long periods can cause a significant increase of the temperature in the compartments of the appliance.
- Clean regularly surfaces that can come in contact with food and accessible drainage systems.
- Store raw meat and fish in suitable containers in the refrigerator, so that it is not in contact with or drip onto other food.
- Two-star frozen-food compartments are suitable for storing pre-frozen food, storing or making ice cream and making ice cubes.
- One-, two- and three-star compartments are not suitable for the freezing of fresh food.

Note: Please store different foods according to the compartments or target storage temperature of your purchased products.

- If the appliance is left empty for long periods, switch off, defrost, clean, dry, and leave the door open to prevent mould developing within the appliance.

Order	Compartments TYPE	Target storage temp. [°C]	Appropriate food
1	Fridge	+2≤+6	Eggs, cooked food, packaged food, fruits and vegetables, dairy products, cakes, drinks and other foods are not suitable for freezing.
2	(***)*-Freezer	≤-18	Seafood (fish, shrimp, shellfish), freshwater aquatic products and meat products (recommended for 3 months, the longer the storage time, the worse the taste and nutrition), suitable for frozen fresh food.
3	***-Freezer	≤-18	Seafood (fish, shrimp, shellfish), freshwater aquatic products and meat products (recommended for 3 months, the longer the storage time, the worse the taste and nutrition), are not suitable for frozen fresh food.
4	** -Freezer	≤-12	Seafood (fish, shrimp, shellfish), freshwater aquatic products and meat products (recommended for 2 months, the longer the storage time, the worse the taste and nutrition), are not suitable for frozen fresh food.
5	*-Freezer	≤-6	Seafood (fish, shrimp, shellfish), freshwater aquatic products and meat products (recommended for 1 months, the longer the storage time, the worse the taste and nutrition), are not suitable for frozen fresh food.
6	0-star	-6≤0	Fresh pork, beef, fish, chicken, some packaged processed foods, etc. (Recommended to eat within the same day, preferably no more than 3 days). Partially encapsulated processed foods (non-freezable foods)
7	Chill	-2≤+3	Fresh/frozen pork, beef, chicken, freshwater aquatic products, etc.(7 days below 0 °C and above 0 °C is recommended for consumption within that day, preferably no more than 2 days). Seafood (less than 0 for 15 days, it is not recommended to store above 0 °C).
8	Fresh Food	0≤+4	Fresh pork, beef, fish, chicken, cooked food, etc. (Recommended to eat within the same day, preferably no more than 3 days).
9	Wine	+5≤+20	Red wine, white wine, sparkling wine, etc.

9. CLEANING & DEFROSTING

Cleaning

For hygienic reasons the appliance interior, including interior accessories, should be cleaned regularly.

Caution! The appliance may not be connected to the mains during cleaning. Danger of electrical shock! Before cleaning switch off the appliance and remove the plug from the mains, or switch off or turn out the circuit breaker or fuse. Never clean the appliance with a steam cleaner. Moisture could accumulate in electrical components, danger of electrical shock! Hot vapors can lead to the damage of plastic parts. The appliance must be dry before it is placed back into service.

Important! Ethereal oils and organic solvents can attack plastic parts, e.g. lemon juice or the juice from orange peel, butyric acid, cleanser that contain acetic acid.

- Do not allow such substances to come into contact the appliance parts.
- Do not use any abrasive cleaners
- Remove the food from the freezer. Store them in a cool place, well covered.

- Switch the appliance off and remove the plug from the mains or switch off or turn out the circuit breaker of fuse.
- Clean the appliance and the interior accessories with a cloth and lukewarm water. After cleaning wipe with fresh water and rub dry.
- After everything is dry place appliance back into service.

Defrosting

The combi fridge is made based on the air-cooling principle and thus has automatic defrosting function.

10. TROUBLESHOOTING

Replace the lamp

The internal light is a LED type. To replace the lamp, please contact qualified technician.

Caution! Before troubleshooting, disconnect the power supply. Only a qualified electrician of competent person must do the troubleshooting that is not in this manual.

Important! There are some sounds during normal use (compressor, refrigerant circulation).

Problem	Possible cause	Solution
Appliance does not work	Temperature regulation knob is set at coldest	Set the knob at other switch on the appliance.
	Mains plug is not plugged in or is loose	Insert mains plug.
	Fuse has blown or is defective	Check fuse, replace if necessary.
	Socket is defective	Mains malfunctions are to be corrected by an electrician.
Appliance freezes or cools too much	Temperature is set too cold or the appliance runs at coldest.	Turn the temperature regulator to a warmer setting temporarily.
The food is not frozen enough	Temperature is not properly adjusted.	Please look in the initial Temperature setting section.
	Door was open for an extended period.	Open the door only as long as necessary.
	A large quantity of warm food was placed in the appliance within the last 24 hours.	Turn the temperature regulation to a colder setting temporarily.
	The appliance is near a heat source.	Please look in the installation location section.
Heavy build up of frost on the door seal	Door seal is not airtight.	Carefully warm the leaking sections of the door seal with a hair dryer (on a cool setting). At the same time shape the warmed door seal by hand such that it sits correctly.
Unusual noises	Appliance is not level.	Readjust the feet.
	The appliance is touching the wall or other objects.	Move the appliance slightly.
	A component, e.g. a pipe, on the rear of the appliance is touching another part of the appliance or the wall.	If necessary, carefully bend the component out of the way.
Water on the floor	Water drain hole is blocked.	See the Cleaning section.

Side panels are hot	It's normal. Heat exchange parts are in the sides.	Take gloves to touch sides if needed.
---------------------	--	---------------------------------------

If the malfunction shows again, contact the Service Center.

CUSTOMER CARE AND SERVICE

Always use original spare parts.

When contacting our Authorised Service Centre, ensure that you have the following data available: Model and Serial Number.

The information can be found on the rating plate. Subject to change without notice.

TECHNICAL DATA

The technical information is situated in the rating plate on the internal side of the appliance and on the energy label.

The QR code on the energy label supplied with the appliance provides a web link to the information related to the performance of the appliance in the EU EPREL database.

Keep the energy label for reference together with the user manual and all other documents provided with this appliance.

It is also possible to find the same information in EPREL using the link <https://eprel.ec.europa.eu> and the model name and product number that you find on the rating plate of the appliance.

To access information about your product in the EPREL portal, you can scan the codes below:



Thank you for purchasing this product. If you need support with your product, visit our website using the links below.

Get User manuals: <https://www.heinner.ro>

Get Service information: <https://www.heinner.ro>



Environment friendly disposal

You can help protect the environment!

Please remember to respect the local regulations: hand in the non-working electrical equipment's to an appropriate waste disposal center.



HEINNER is a registered trademark of **Network One Distribution SRL**. Other brands and product names are trademarks or registered trademarks of their respective holders.

No part of the specifications may be reproduced in any form or by any means or used to make any derivative such as translation, transformation, or adaptation without permission from NETWORK ONE DISTRIBUTION.

Copyright © 2013 Network One Distribution. All rights reserved.

www.heinner.com, <http://www.nod.ro>



This product is in conformity with norms and standards of European Community



Importer: **Network One Distribution**

Marcel Iancu Street, 3-5, Bucharest, Romania

Tel: +40 21 211 18 56, www.heinner.com , www.nod.ro

COMBINĂ FRIGORIFICĂ

Model:

HCNF-HM293XF+



- Combină frigorifică
- Capacitate totală: 293 L
- Clasa de eficiență energetică: F

HEINNER

1. INTRODUCERE

Vă rugăm să citiți instrucțiunile cu atenție și să păstrați manualul pentru consultări ulterioare. Acest manual are scopul de a vă oferi toate instrucțiunile necesare cu privire la instalarea, utilizarea și întreținerea aparatului. Pentru utilizarea corectă și în siguranță a aparatului, vă rugăm să citiți cu atenție acest manual de instrucțiuni înainte de instalare și utilizare.

2. CONȚINUTUL PACHETULUI DUMNEAVOASTRĂ

- ➔ **Combină frigorifică**
- ➔ **Manual de utilizare**
- ➔ **Certificat de garanție**

3. INFORMAȚII PRIVIND SIGURANȚA

Pentru siguranța dumneavoastră și o utilizare corectă, înainte de a instala și a folosi aparatul pentru prima dată, citiți cu atenție acest manual de instrucțiuni, inclusiv sugestiile și avertismentele. Pentru a evita erorile inutile și accidentele, este important să vă asigurați că toate persoanele care utilizează aparatul sunt familiarizate cu modul de funcționare și cu măsurile de siguranță. Păstrați aceste instrucțiuni și asigurați-vă că vor rămâne împreună cu aparatul, dacă acesta este mutat sau vândut, astfel încât orice persoană care îl folosește pe durata de utilizare a acestuia să fie bine informată în legătură cu utilizarea sa și cu măsurile de siguranță.

Pentru garantarea siguranței persoanelor și a bunurilor, respectați măsurile de precauție specificate în cadrul prezentului manual de instrucțiuni, deoarece producătorul nu este răspunzător pentru daunele cauzate prin omisiune.

Siguranța copiilor și a altor persoane vulnerabile

- Aparatul poate fi utilizat de către copii cu vârste începând de la 8 ani și de către persoane cu capacități fizice, senzoriale sau mentale reduse, cu lipsă de experiență sau cunoștințe, numai dacă acestea sunt supravegheate sau instruite în ceea ce privește utilizarea în siguranță a aparatului și dacă înțeleg pericolele pe care le implică utilizarea.
- Copiii trebuie supravegheați, astfel încât aceștia să nu se joace cu aparatul.
- Curățarea și întreținerea nu pot fi efectuate de către copii, cu excepția cazului în care aceștia sunt în vârstă de cel puțin 8 ani și sunt supravegheați.
- Nu lăsați ambalajele la îndemâna copiilor. Pericol de asfixiere.
- Pentru a evita situațiile în care copiii se pot electrocuta sau închide în interiorul aparatului, înainte de a-l arunca, scoateți ștecărul din priză, tăiați cablul de alimentare (cât mai aproape de aparat posibil) și demontați ușa aparatului.
- Dacă acest aparat (care este prevăzut cu un sistem de închidere magnetic) înlocuiește un aparat mai vechi, prevăzut cu închizătoare cu arc (zăvor) pe ușă sau pe capac, înainte de a arunca aparatul vechi, asigurați-vă că închizătoarea cu arc nu mai poate fi folosită. Astfel, copiii nu vor putea rămâne blocați înăuntru.
- Copiilor cu vârste începând de la 3 ani le este permis să introducă și să scoată alimente din aparatele frigorifice (această prevedere este aplicabilă numai pentru statele din Uniunea Europeană).

Măsuri generale de siguranță

Avertisment! Asigurați-vă că orificiile de ventilație ale carcasei aparatului sau ale corpului acestuia nu sunt obturate.

Avertisment! Utilizați numai dispozitive mecanice sau mijloace de grăbire a procesului de dezghețare recomandate de către producător.

Avertisment! Nu deteriorați circuitul de refrigerare.

Avertisment! Nu folosiți alte aparate electrice (cum ar fi, de exemplu, aparatele de făcut înghețată) în interiorul compartimentelor de depozitare a alimentelor din acest aparat, decât dacă acestea sunt de tipul celor recomandate de către producător.

Avertisment! Nu atingeți becul în cazul în care acesta a stat aprins pentru o perioadă îndelungată, deoarece acesta poate fi foarte fierbinte.

Avertisment! Atunci când poziționați aparatul, asigurați-vă că nu striviți și nu deteriorați cablul de alimentare.

Avertisment! Nu amplasați în spatele aparatului prize multiple sau surse de alimentare portabile.

- Nu depozitați în acest aparat produse explozive precum spray-urile cu aerosoli inflamabili.
- Circuitul de refrigerare al aparatului conține agent frigorific R600a (izobutan), un gaz natural cu un nivel ridicat de compatibilitate cu mediul înconjurător, dar inflamabil.
- În timpul transportului și al montării aparatului, asigurați-vă că niciuna dintre componentele circuitului de refrigerare nu este deteriorată.
 - Evitați utilizarea focului deschis și sursele de aprindere a focului.
 - Aerisiți bine camera în care se află aparatul.
- Modificarea în orice fel a specificațiilor sau a produsului este periculoasă. Orice deteriorare a cablului de alimentare poate genera riscul de scurtcircuitare, incendiu sau electrocutare.
- Acest aparat este destinat uzului casnic și în unități precum:
 - bucătăriile personalului din magazine, birouri și alte medii de lucru;
 - în gospodării și de către clienții din hoteluri, moteluri și alte medii de tip rezidențial;
 - medii de tipul pensiune cu mic dejun;
 - activități de tip catering și non-retail.

Avertisment! Componentele electrice (ștecărul, cablul de alimentare, compresorul) trebuie înlocuite de către un electrician calificat sau de către o persoană competentă.

Avertisment! Becul furnizat împreună cu aparatul este un „bec pentru utilizare specială” și poate fi utilizat numai pentru acest aparat. Acest „bec pentru utilizare specială” nu poate fi utilizat pentru iluminatul casnic (în cazul în care compartimentul este prevăzut cu bec).

- Nu prelungiți cablul de alimentare.
- Asigurați-vă că ștecărul nu este strivit sau deteriorat de partea din spate a aparatului. În cazul în care cablul de alimentare este strivit sau deteriorat, acesta se poate supraîncălzi și poate provoca un incendiu.
- Asigurați-vă că aveți acces la ștecărul aparatului.
- Nu trageți de cablul de alimentare.
- Dacă priza în care trebuie introdus ștecărul este desprinsă, nu introduceți ștecărul în ea. Există riscul de electrocutare și de incendiu.
- Nu utilizați aparatul fără capacul lămpii de iluminare din interior.
- Aparatul este greu. Mutați-l cu grijă.
- Nu scoateți și nu atingeți obiecte din congelator dacă aveți mâinile umede/ude, deoarece vă puteți provoca leziuni ale pielii sau degerături.
- Evitați expunerea prelungită a aparatului la lumina directă a soarelui.



Avertisment! Pericol de incendiu!

În cazul în care circuitul de refrigerare este deteriorat:

- Evitați utilizarea focului deschis și sursele de aprindere a focului.
- Aerisiți bine camera în care se află aparatul.



Avertisment! În timpul utilizării, întreținerii sau eliminării aparatului, vă rugăm să acordați atenție simbolului asemănător cu cel din partea stângă, situat pe partea posterioară a aparatului (panoul din spate sau compresorul), de culoare galbenă sau portocalie. Acesta este simbolul de avertizare privind pericolul de incendiu. În conductele de agent frigorific și în compresor sunt prezente materiale inflamabile. Feriți aparatul de surse de foc în timpul utilizării, întreținerii sau eliminării acestuia.

Utilizare cotidiană

- Nu așezați obiecte fierbinți pe componentele din plastic ale aparatului.
- Nu așezați alimente direct pe peretele posterior din interiorul aparatului.
- Nu congelați din nou alimentele care s-au dezghețat.
- Depozitați alimentele congelate preambalate în conformitate cu instrucțiunile producătorului alimentelor congelate.
- Respectați cu strictețe recomandările producătorului acestui aparat privind depozitarea. Consultați instrucțiunile aferente.

- Nu depozitați băuturi carbogazoase sau acidulate în congelator, deoarece se creează presiune asupra recipientelor, acestea putând exploda, având drept rezultat deteriorarea aparatului.
- Alimentele înghețate pot cauza degerături dacă sunt consumate direct din congelator.

Curățare și întreținere

- Înainte de efectuarea operațiilor de întreținere, opriți aparatul și scoateți ștecărul din priză.
- Nu curățați aparatul cu obiecte din metal.
- Nu folosiți obiecte ascuțite pentru a îndepărta gheața din aparat. Folosiți o racletă din plastic. ¹⁾
- Verificați cu regularitate orificiul de scurgere al aparatului. Dacă este necesar, curățați orificiul de scurgere. Dacă orificiul de scurgere este blocat, se va strânge apă în partea de jos a aparatului. ²⁾

1) Dacă aparatul este prevăzut cu un compartiment de refrigerare.

2) Dacă aparatul este prevăzut cu un compartiment pentru depozitarea alimentelor proaspete.

Instalare

Important! Pentru conexiunea electrică, urmați cu atenție instrucțiunile referitoare la aceasta.

- Despachetați aparatul și verificați dacă este deteriorat. Dacă aparatul prezintă deteriorări, nu îl conectați la sursa de alimentare. Dacă aparatul este deteriorat, comunicați imediat acest lucru distribuitorului de la care l-ați cumpărat. În acest caz, păstrați ambalajul.
- Vă recomandăm să așteptați cel puțin patru ore înainte de a conecta aparatul la sursa de alimentare, pentru ca uleiul să aibă timp să revină în compresor.
- Aerul trebuie să poată circula liber în jurul aparatului. În lipsa circulației aerului, aparatul se poate supraîncălzi. Pentru a obține o ventilație adecvată, respectați instrucțiunile referitoare la montare.
- Dacă este posibil, distanțierile produsului trebuie să fie orientate către un perete, pentru a evita atingerea sau prinderea părților calde (compresorul, condensatorul) și pentru a preveni eventualele arsuri.
- Nu amplasați aparatul în apropierea radiatoarelor sau a aragazelor.
- Asigurați-vă că aveți acces la ștecăr după montarea aparatului.

Reparații

- Lucrările electrice necesare în vederea reparării aparatului trebuie efectuate de către un electrician calificat sau de către o persoană competentă.
- Produsul trebuie reparat de către un centru de service autorizat, folosindu-se numai piese de schimb originale.

Economisirea energiei

- Nu introduceți alimente fierbinți în aparat.
- Nu depozitați alimentele aproape unele de celelalte, deoarece aceasta împiedică circulația aerului.
- Asigurați-vă că alimentele nu ating partea din spate a compartimentului/elor;
- Dacă furnizarea energiei electrice se întrerupe, nu deschideți ușa/ușile.
- Nu deschideți ușa/ușile frecvent.
- Nu țineți ușa/ușile deschise pentru prea mult timp.
- Nu reglați termostatul la o temperatură mai redusă decât este necesar.
- Pentru un consum redus de energie, toate accesoriile, cum ar fi rafturile, sertarele și rafturile de pe uși trebuie menținute în pozițiile care au fost prevăzute pentru acestea.

Protecția mediului și materiale de ambalare

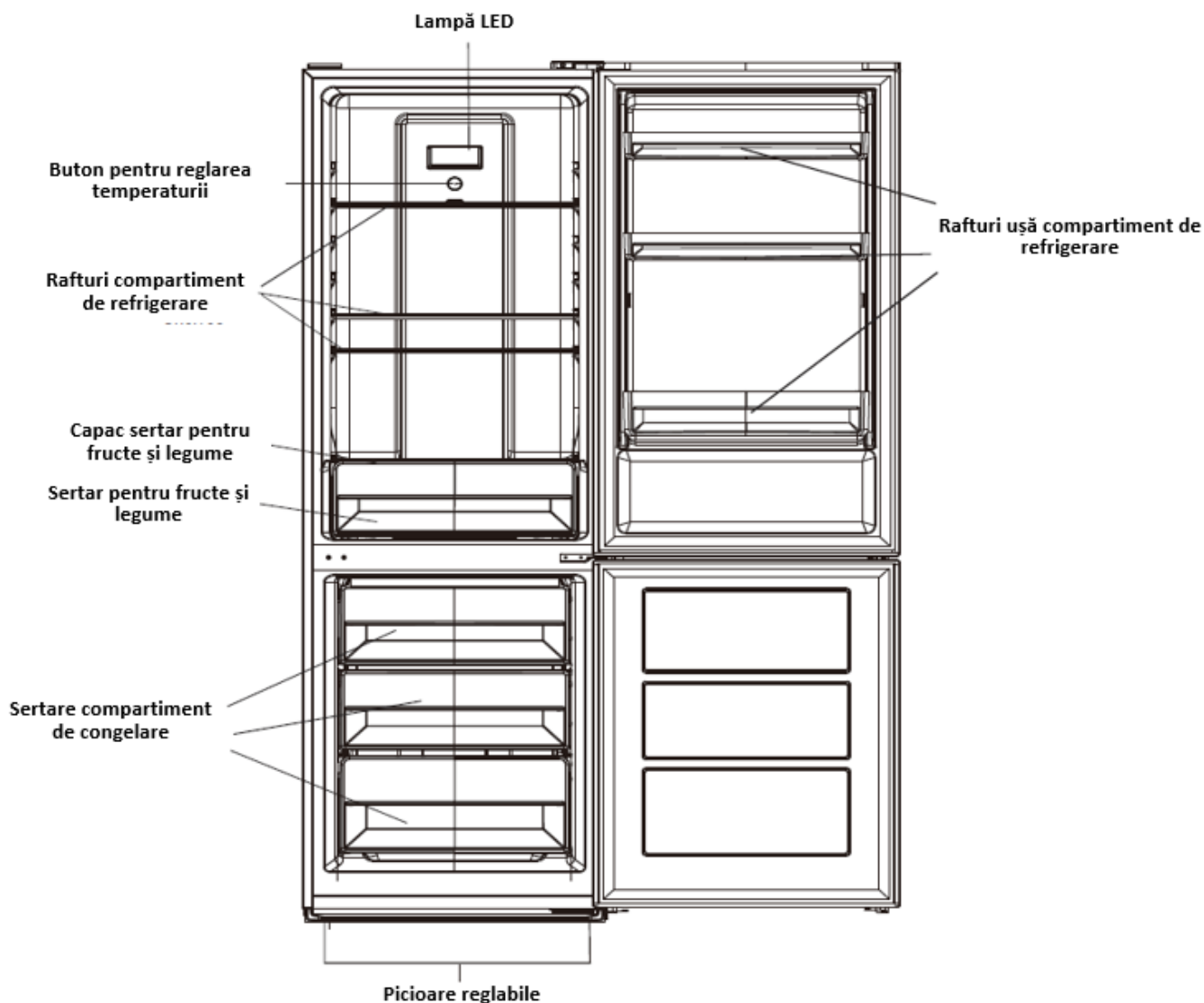
Acest aparat nu conține gaze care ar putea dăuna stratului de ozon, nici în circuitul de refrigerare, nici în materialele izolante. Aparatul nu trebuie eliminat împreună cu deșeurile menajere și cu gunoiul. Spuma izolantă conține gaze inflamabile: aparatul trebuie eliminat în conformitate cu reglementările adoptate de

autoritățile locale. Evitați deteriorarea unității de răcire, în special a schimbătorului de căldură. Simbolul marcat pe anumite materialele folosite la fabricarea aparatului indică faptul că acestea sunt reciclabile. Materialele marcate cu acest simbol sunt reciclabile. Aruncați ambalajele în containere speciale destinate reciclării.

Eliminarea produsului

- Deconectați ștecărul de la sursa de alimentare cu energie.
- Tăiați cablul de alimentare și aruncați-l.

4. DESCRIEREA PRODUSULUI



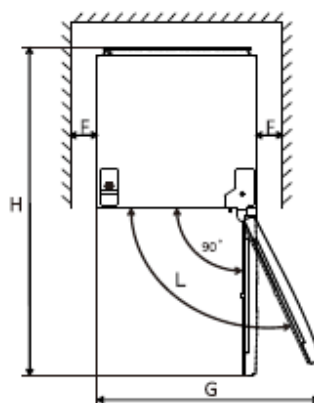
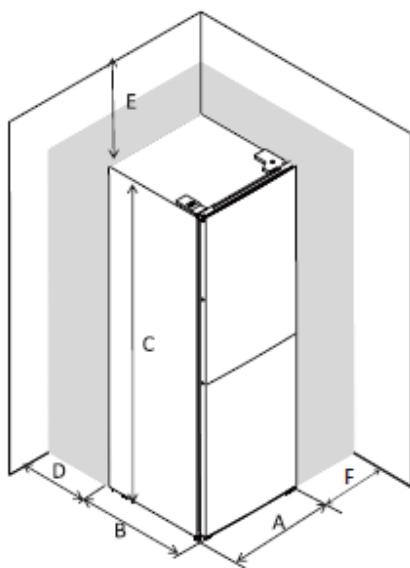
Pentru ca acest produs să fie cât mai eficient, vă rugăm să amplasați rafturile și sertarele în pozițiile indicate în ilustrația de mai sus.

Observație: Imaginea de mai sus are rol strict informativ. Produsul real poate fi diferit

5. INSTALARE

Cerințe privind spațiul

- Alegeți un loc care să nu fie expus la lumina directă a soarelui.
- Alegeți loc care să permită deschiderea cu ușurință a ușilor aparatului.
- Alegeți un loc în care podeaua are o suprafață netedă.
- Lăsați spațiu suficient pentru instalarea aparatului pe o suprafață plană.
- Lăsați spațiu la dreapta, la stânga, în spate și deasupra în momentul instalării. Acest lucru va ajuta la reducerea consumului de energie electrică.
- Lăsați un spațiu de cel puțin 50 de mm în laterale și în spate.



A	600
B	600
C	1860
D	min=50
E	min=50
F	min=50
G	1200
H	1200
L	135°

Poziționare

Instalați acest aparat într-un loc în care temperatura ambiantă corespunde clasei climatice indicate pe plăcuța cu informații tehnice a aparatului.

Pentru aparatele frigorifice cu clasă climatică:

- temperată extinsă: acest aparat frigorific este destinat a fi utilizat la temperaturi ambiante cuprinse între 10°C și 32°C (SN);
- temperată: acest aparat frigorific este destinat a fi utilizat la temperaturi ambiante cuprinse între 16°C și 32°C (N);
- subtropicală: acest aparat frigorific este destinat a fi utilizat la temperaturi ambiante cuprinse între 16°C și 38°C (ST);
- tropicală: acest aparat frigorific este destinat a fi utilizat la temperaturi ambiante cuprinse între 16°C și 43°C (T).

Locul instalării

Aparatul trebuie să fie amplasat departe de sursele de căldură precum caloriferele, boilerele și lumina directă a soarelui. Pentru asigurarea unei performanțe ridicate, în cazul în care aparatul este poziționat sub un corp de mobilier suspendat, distanța minimă dintre partea de sus a aparatului și corpul suspendat trebuie să fie de cel puțin 50 de mm. Totuși, în mod ideal, aparatul nu ar trebui amplasat sub corpuri de mobilier suspendate. Pentru a amplasa aparatul cu precizie în poziție orizontală utilizați picioarele reglabile de la bază. Acest aparat frigorific nu este destinat utilizării ca aparat încorporat.

Avertisment! Trebuie să existe posibilitatea de a deconecta aparatul de la sursa de alimentare; prin urmare, stecărul trebuie să fie accesibil după montare.

Conectarea la rețeaua electrică

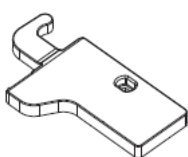
Înainte de a conecta aparatul, asigurați-vă că tensiunea și frecvența indicate pe plăcuța cu date tehnice corespund cu cele ale sursei de alimentare din locuința dumneavoastră. Aparatul trebuie să fie legat la pământ. În acest scop, ștecărul cablului electric este prevăzut cu un contact. Dacă priza din locuință nu este legată la pământ, conectați aparatul la o împământare separată, în conformitate cu reglementările în vigoare, după ce ați consultat un electrician calificat.

Producătorul nu își asumă nicio răspundere în cazul în care aceste măsuri de siguranță nu sunt respectate. Acest aparat este în conformitate cu Directivele C.E.E.

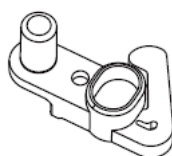
Reversibilitatea ușii

Înainte de a schimba sensul de deschidere a ușilor, vă rugăm să pregătiți instrumentele și piesele de mai jos: șurubelniță în linie, șurubelniță în cruce, cheie fixă și componentele incluse în pungă din plastic.

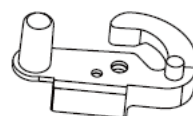
Capac balama stânga x 1



Balama stânga pe ușa superioară x 1

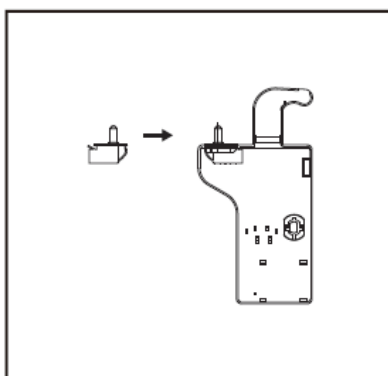
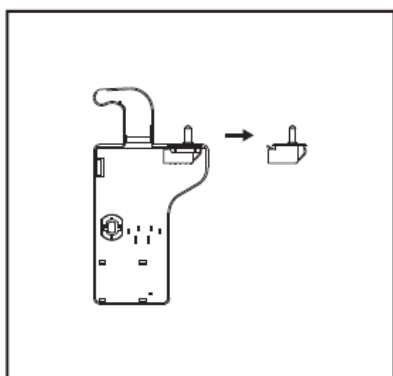
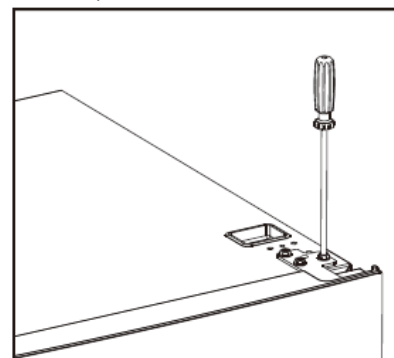
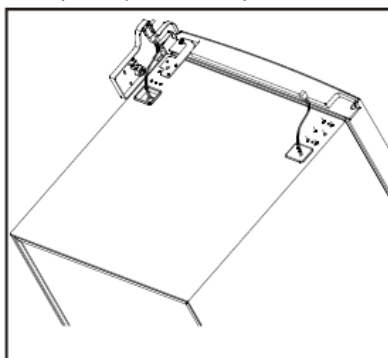
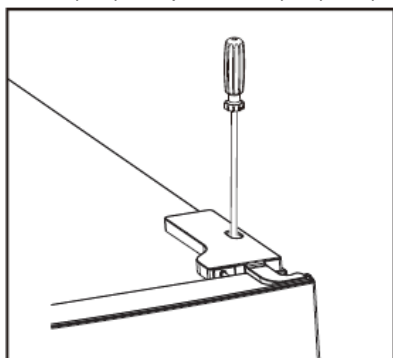


Balama stânga pe ușa inferioară x 1

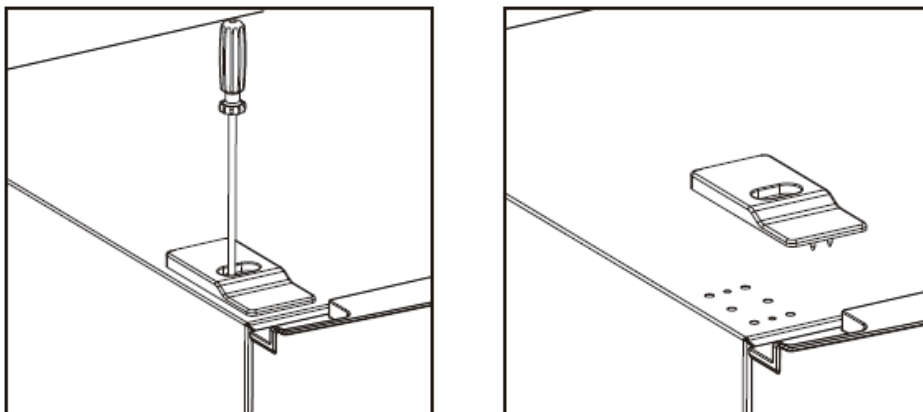


1. Desfaceți capacul balamalei superioare, apoi desfaceți balamaua superioară.

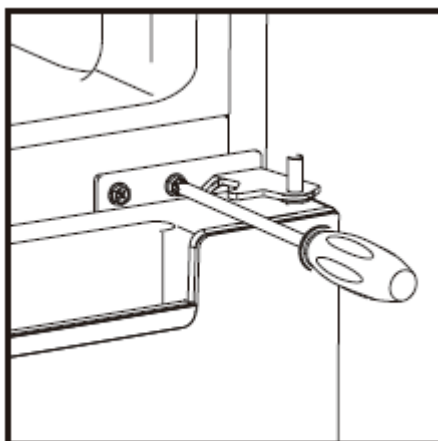
Ridicați ușa superioară și așezați-o pe o suprafață moale, pentru a evita zgârierea și deteriorarea acesteia.



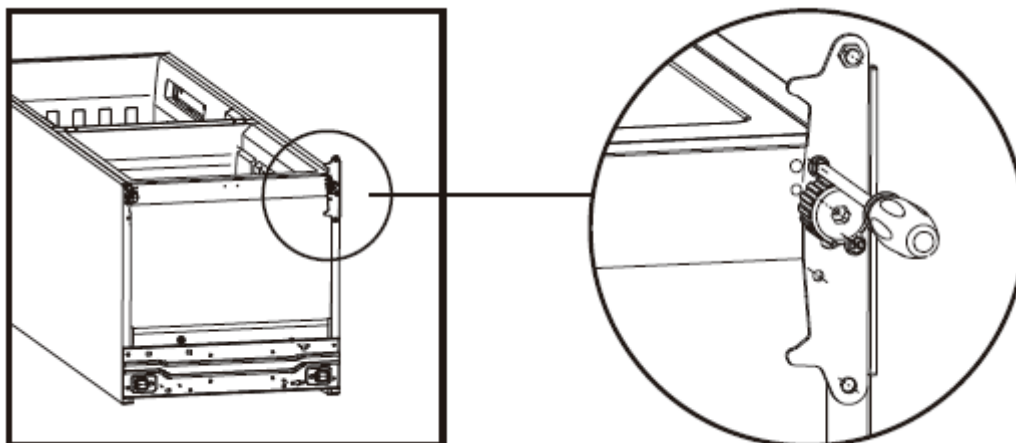
2. Scoateți capacul balamalei superioare din partea stângă.



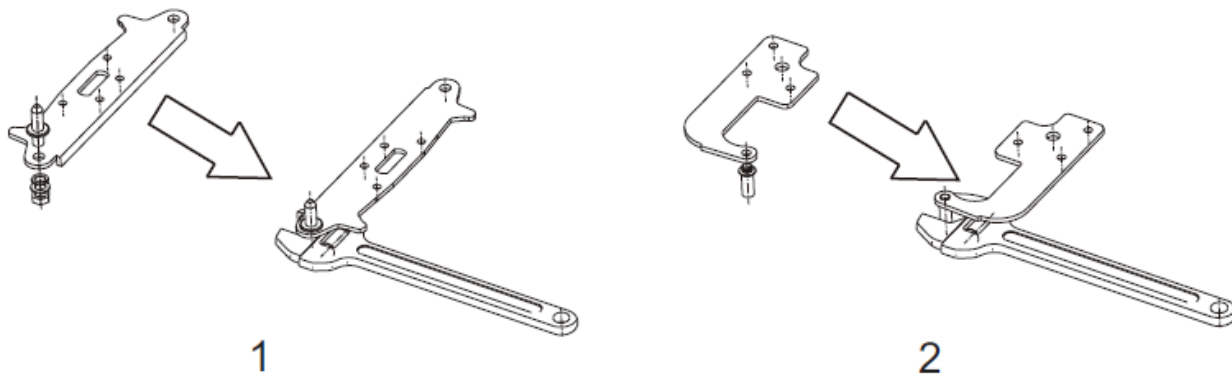
3. Scoateți ușa superioară, desfaceți șurubul balamalei centrale cu ajutorul unei șurubelnițe în cruce, apoi scoateți ușa inferioară.



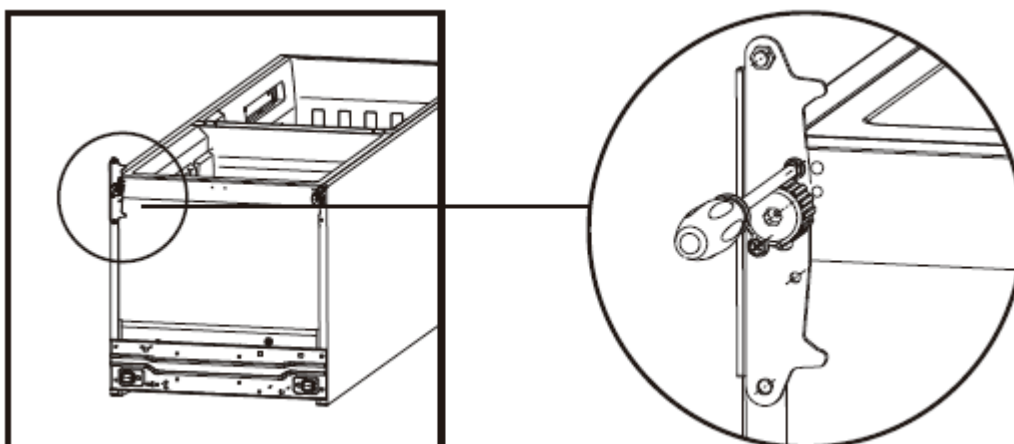
4. Așezați aparatul pe spate, scoateți picioarele reglabile așa cum este indicat în imaginea de mai jos, apoi scoateți balamaua inferioară cu ajutorul șurubelniței în cruce.



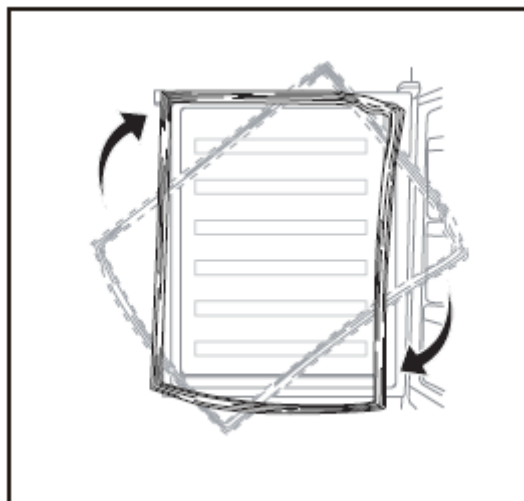
5. Fixați axul balamalei inferioare și pe cel al balamalei superioare în poziția opusă.



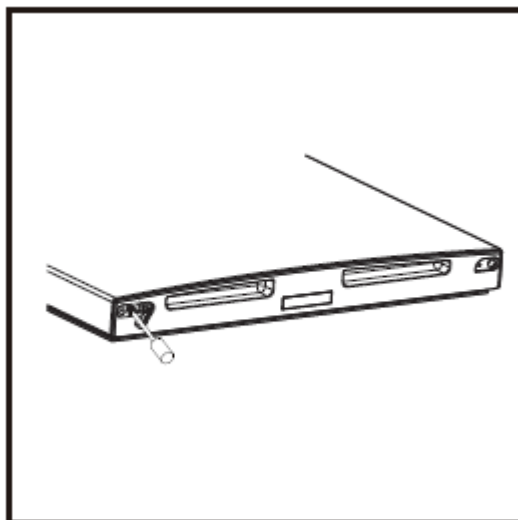
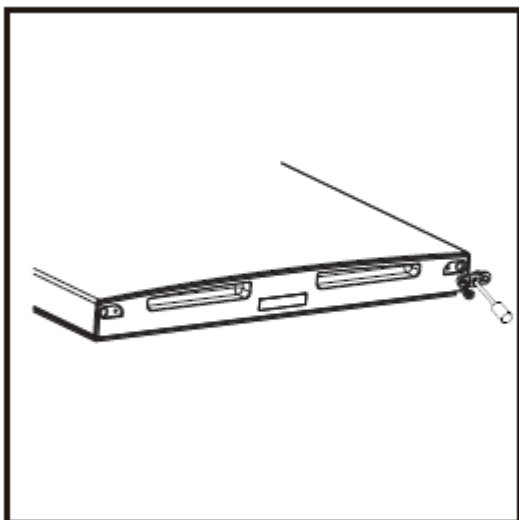
6. Montați balamaua inferioară în partea de jos a aparatului, înșurubând picioarele reglabile și asigurându-vă că poziția este orizontală.



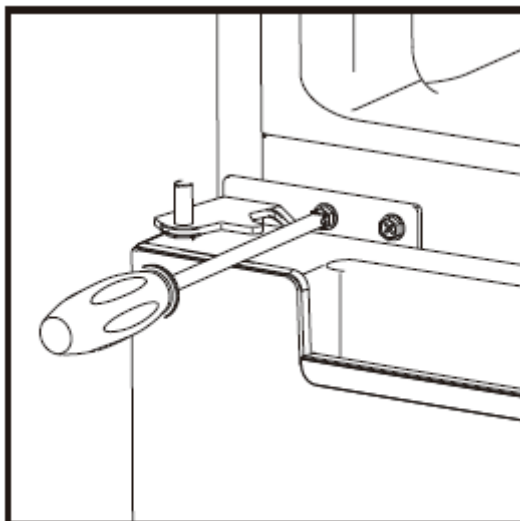
7. Detașați garnitura ușii compartimentului de refrigerare și garnitura ușii compartimentului de congelare, apoi fixați-le după ce le rotiți.



8. Desfaceți balamalele originale de pe ușa superioară și de pe ușa inferioară, apoi montați balamalele din punga cu accesorii (în care sunt și manualele de instrucțiuni) pe partea opusă.

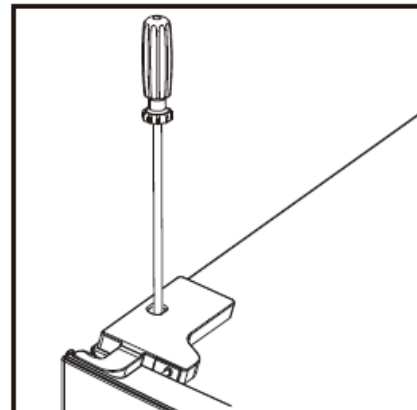
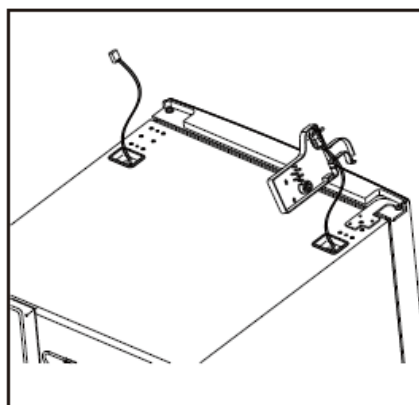
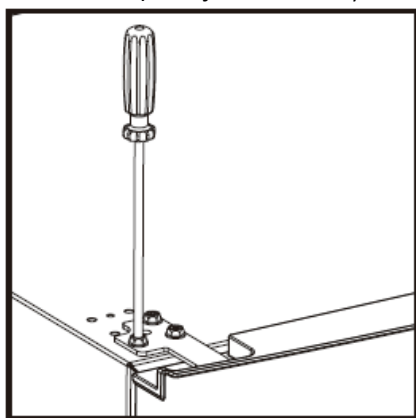


9. Montați ușa inferioară, apoi reglați și fixați balamaua centrală pe carcasa aparatului.

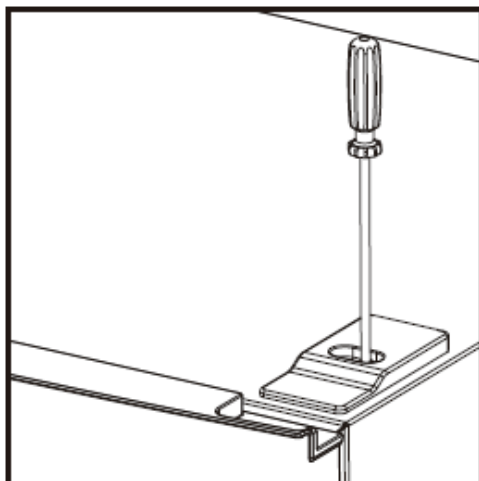


10. Puneți la loc ușa superioară. Înainte de a strânge balamaua superioară, asigurați-vă că ușa este aliniată pe orizontală și verticală, astfel încât garniturile să fie poziționate corect.

Prindeți balamaua superioară în partea superioară a aparatului, apoi fixați capacul balamalei (aflat în punga cu accesorii) cu ajutorul unui șurub.

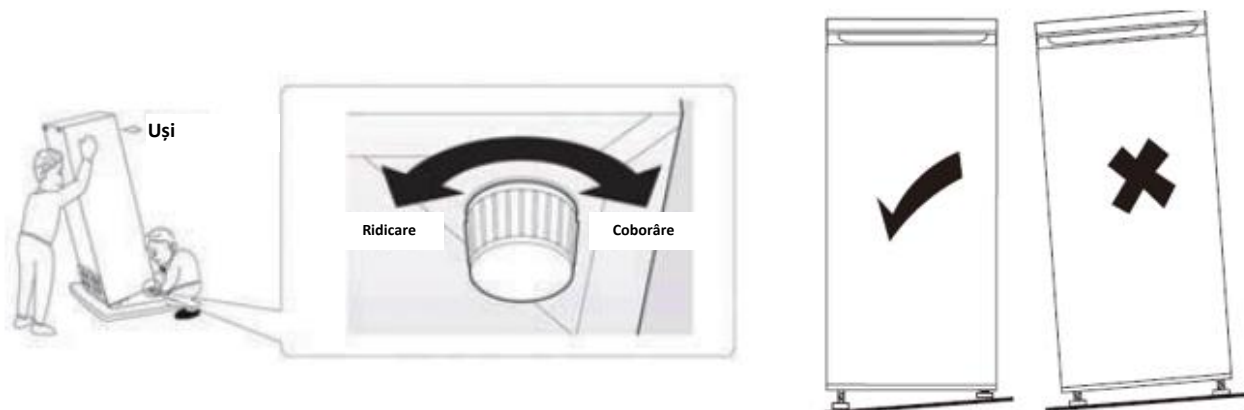


11. Fixați capacul de mascare.



Echilibrarea aparatului

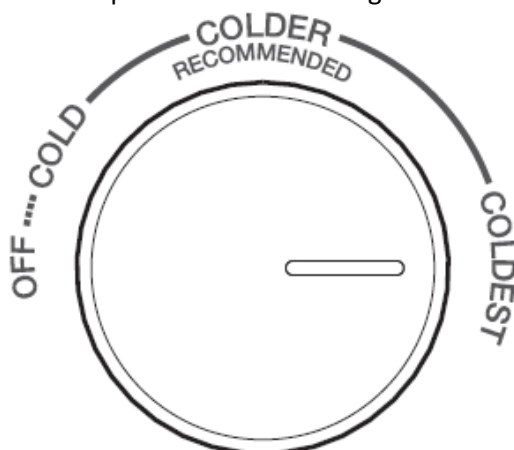
Pentru a echilibra aparatul, reglați cele două picioare din partea din față a aparatului. Dacă aparatul nu este echilibrat, ușa și garniturile magnetice nu vor fi aliniate corespunzător.



6. PANOUL DE COMANDĂ

Setarea temperaturii compartimentului de refrigerare

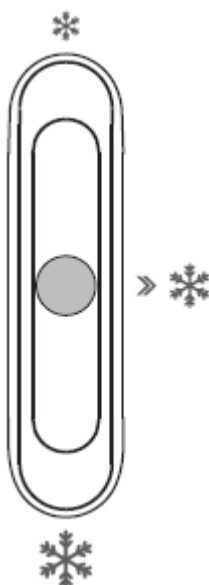
Butonul pentru setarea temperaturii compartimentului de refrigerare.







- Butonul din compartimentul de refrigerare este utilizat pentru a regla temperatura din compartimentul de refrigerare.
- Temperatura interioară este controlată prin intermediul unui senzor. Sunt disponibile 4 setări: OFF, COLD, COLDER și COLDEST. COLD este setarea pentru temperatura cea mai ridicată, iar COLDEST setarea pentru temperatura cea mai scăzută.
- Dacă aparatul este amplasat într-un mediu foarte cald sau dacă deschideți ușa des, este posibil ca acesta să nu funcționeze la temperatura corectă.
- Atunci când setarea este „OFF”, compartimentul de refrigerare și compartimentul de congelare nu funcționează.

Setarea temperaturii compartimentului de congelare

Butonul culisant pentru setarea temperaturii compartimentului de congelare.



- Butonul culisant din compartimentul de refrigerare este utilizat pentru a regla temperatura din compartimentul de congelare.
- Când butonul culisant este în poziția , temperatura din compartimentul de congelare este mai ridicată. Când butonul culisant este în poziția , temperatura din compartimentul de congelare este mai scăzută.
- Poziția mediană  a butonului culisant este poziția recomandată în cazul utilizării normale.
- Pentru a obține cea mai scăzută temperatură în compartimentului de congelare, reglați butonul rotativ la poziția „COLDEST” și poziționați butonul culisant la poziția .

Recomandări privind setarea temperaturii

Recomandări privind setarea temperaturii		
Temperatura mediului ambiant	Compartimentul de congelare	Compartimentul de refrigerare
Vara (peste 30 °C)		<p>Reglați la *</p> <p>Reglați butonul în intervalul „colder” ~</p>
Normal		<p>Reglați la *</p> <p>Reglați butonul la poziția „colder”</p>
Iarna (sub 16°C)		<p>Reglați la ❄️</p> <p>Reglați butonul în intervalul „colder” ~</p>

- Informațiile de mai sus oferă utilizatorilor recomandări privind setarea temperaturii.
- În timpul iernii sau la temperaturi sub 16°C, se recomandă reglarea la pozițiile ❄️ și „Cold”.
- Pentru economisirea energiei, reglarea la pozițiile ❄️ și „Coldest” este recomandată numai în cazuri speciale (pentru congelare rapidă sau producerea gheții).

Observație: Setarea unei temperaturi ridicate grăbește procesul de alterare a alimentelor.

7. UTILIZARE COTIDIANĂ

Prima utilizare

Curățarea interiorului

Înainte de a folosi aparatul pentru prima dată, spălați interiorul și toate accesoriile interne cu apă caldă și cu detergent neutru, pentru a înlătura mirosul specific de produs nou, apoi uscați-le bine.

Important! Nu folosiți detergenți sau prafuri abrazive, deoarece acestea vor deteriora suprafețele.

Utilizare cotidiană

Puneți diferitele tipuri de alimente în compartimente diferite, așa cum este indicat în tabelul de mai jos:

Compartimentele frigiderului	Tipuri de alimente
Rafturi pe ușa compartimentului de refrigerare	Alimente care conțin conservanți naturali, precum gemuri, sucuri, băuturi, condimente. Nu depozitați alimente care se alterează repede.
Sertarul pentru legume și fructe (sertarul pentru salate)	Fructele, ierburile și legumele trebuie puse separat în sertarul pentru legume și fructe. Nu depozitați în frigider banane, ceapă, cartofi sau usturoi
Raftul central al frigiderului	Produse lactate, ouă
Raftul superior al frigiderului	Alimente care nu necesită preparare, alimente gata pentru consum, mezeluri, mâncare rămasă.
Sertar(e)/Raft congelator	Pentru alimente care pot fi depozitate pe termen lung. Sertarul/Raftul inferior - pentru carne crudă, carne de pasăre, pește. Sertarul/Raftul din mijloc - pentru legume congelate, cartofi congelați. Sertarul/Raftul superior - pentru înghețată, fructe congelate, produse de patiserie congelate.

Congelarea alimentelor proaspete

- Compartimentul de congelare este adecvat pentru congelarea alimentelor proaspete și pentru conservarea pe termen lung a alimentelor congelate.
- Așezați alimentele proaspete în compartimentul de congelare.
- Cantitatea maximă de alimente ce pot fi congelate în 24 de ore este specificată pe plăcuța cu date tehnice.
- Procesul de congelare durează 24 de ore: în acest interval, nu adăugați alte alimente în vederea congelării.

Conservarea alimentelor congelate

La prima pornire sau după o perioadă de neutilizare, înainte de a introduce alimentele în compartiment, lăsați aparatul să funcționeze timp de cel puțin 2 ore la setările pentru temperaturile cele mai scăzute.

Important! În cazul dezghețării accidentale, de exemplu din cauza unei întreruperi a furnizării de energie electrică, dacă întreruperea a durat mai mult decât valoarea indicată în tabelul cu caracteristici tehnice, alimentele decongelate

trebuie consumate rapid sau trebuie gătite imediat și apoi recongelate (după gătire).

Dezghețarea

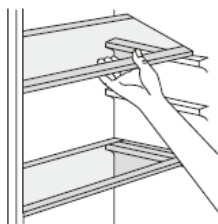
Înainte de a fi utilizate, alimentele congelate pot fi dezghețate în compartimentul de refrigerare sau la temperatura camerei, în funcție de timpul de care dispuneți pentru această operație.

Bucățile mici pot fi gătite congelate, luate direct din congelator. În acest caz, durata de gătire va fi mai mare.

Accesorii

Rafturi detaşabile

Pereţii frigiderului sunt prevăzuţi cu ghidaje de suport, astfel încât rafturile să poată fi poziţionate în funcţie de preferinţe.



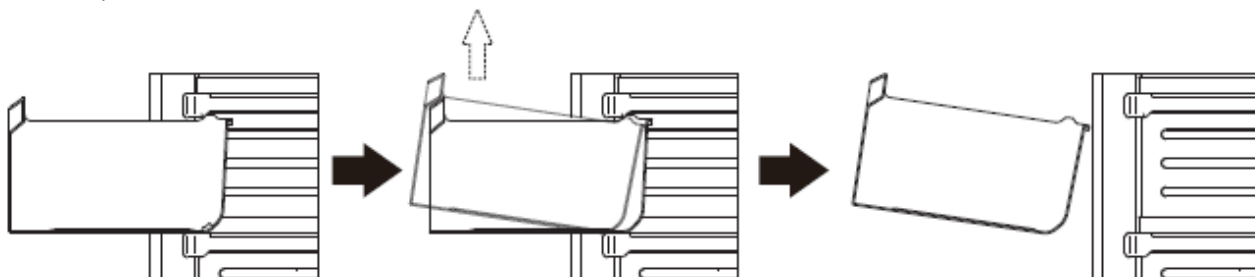
Poziţionarea rafturilor de pe uşă

Rafturile de pe uşă pot fi detaşate în vederea curăţării. Pentru detaşarea rafturilor, procedaţi după cum urmează: trageţi ușor raftul în direcţia săgeţilor până acesta iese, curăţaţi-l și repositionaţi-l în funcție de preferințe.



Detaşarea sertarului inferior

1. Trageţi de sertarul inferior până la opritor.
2. Ridicaţi partea frontală a sertarului.
3. Scoateţi sertarul inferior.



8. DEPOZITAREA ALIMENTELOR

Recomandări privind congelarea

Pentru a obține o congelare cât mai eficientă, iată câteva recomandări importante:

- cantitatea maximă de alimente ce pot fi congelate în 24 de ore este specificată pe plăcuța cu date tehnice;
- Procesul de congelare durează 24 de ore. În acest interval de timp, nu mai pot fi adăugate alte alimente în compartimentul de congelare;
- Congelați numai alimente de calitate superioară, proaspete și bine curățate;
- Pregătiți porții mici de alimente, care să poată fi congelate rapid și complet, pentru ca apoi să puteți dezgheța numai cantitatea necesară;
- Înfășurați alimentele în folie de aluminiu sau polietilenă și asigurați-vă că pachetele sunt etanșe;

- asigurați-vă că alimentele proaspete, necongelate nu intră în contact cu cele deja congelate, evitând astfel creșterea temperaturii acestora din urmă;
- alimentele fără grăsime se păstrează mai bine și pentru o perioadă mai îndelungată decât cele cu grăsimi; sarea reduce perioada de păstrare a alimentelor;
- dacă sunt consumate imediat după scoaterea din congelator, înghețatele pot cauza leziuni ale pielii și degerături;
- vă recomandăm să notați data congelării pe fiecare pachet cu alimente, pentru a putea ține evidența perioadei de conservare.
- vă recomandăm să notați data congelării pe fiecare pachet cu alimente, pentru a putea ține evidența perioadei de conservare.

Recomandări privind conservarea alimentelor congelate

Pentru a obține rezultate cât mai eficiente cu acest aparat, vă recomandăm următoarele:

- asigurați-vă că alimentele congelate au fost păstrate corespunzător în magazin;
- asigurați-vă că alimentele congelate sunt transferate din magazin în congelator cât mai repede posibil;
- nu deschideți ușa prea des și nu o lăsați deschisă mai mult decât este necesar;

După dezghețare, alimentele se deteriorează rapid și nu pot fi recongelate;

Nu depășiți perioada de păstrare indicată de producătorul alimentelor.

Recomandări privind refrigerarea alimentelor proaspete

Pentru obținerea unor performanțe optime:

- Nu depozitați în aparat mâncare caldă sau lichide care se evaporă.
- Acoperiți sau împachetați alimentele, în special în cazul în care acestea emit mirosuri puternice.

Recomandări privind refrigerarea

- Carnea (de toate tipurile) se împachetează în folie de polietilenă și se așază pe raftul din sticlă situat deasupra sertarului pentru legume și fructe.
- Pentru siguranță, depozitați carnea în acest mod numai timp de o zi sau cel mult două.
- Alimentele gătite, mezelurile etc.: acestea trebuie acoperite și așezate pe orice raft.
- Fructe și legume: acestea trebuie curățate bine și așezate în sertarele destinate acestora.
- Unt și brânzeturi: acestea trebuie așezate în recipiente speciale închise ermetic sau înfășurate în folie din aluminiu sau în pungi de polietilenă cât mai etanșe.
- Sticle de lapte: acestea trebuie prevăzute cu capac și depozitate în rafturile de pe ușă.
- În cazul în care nu sunt ambalate, bananele, cartofii, ceapa și usturoiul nu trebuie păstrate la frigider.

Pentru a evita contaminarea alimentelor, respectați instrucțiunile de mai jos:

- Dacă ușa aparatului este lăsată deschisă pe perioade lungi, temperatura din compartimentele aparatului crește semnificativ.
- Curățați periodic suprafețele care pot intra în contact cu alimentele, precum și sistemele de scurgere ale aparatului.
- Păstrați carnea crudă și peștele proaspăt în recipiente corespunzătoare, astfel încât produsele să nu intre în contact cu alte alimente.
- Compartimentele de congelare cu două stele sunt potrivite pentru păstrarea alimentelor precongelate, păstrarea sau prepararea înghețatei și producerea cuburilor de gheață.
- Compartimentele cu una, două și trei stele nu sunt potrivite pentru congelarea alimentelor proaspete.

Notă: Vă rugăm să păstrați alimentele în compartimentele corespunzătoare și la temperaturile de depozitare recomandate.

- Dacă aparatul frigorific este lăsat gol pe perioade lungi, opriți-l, decongețați-l, curățați-l, ștergeți-l bine și lăsați-i ușa deschisă, pentru a preveni formarea mucegaiului în interiorul acestuia.

Nr. de ordine	Tipul compartimentului	Temperatură de depozitare recomandată [°C]	Alimente
1	Refrigerare	+2≤+6	Ouăle, alimentele gătite, alimentele ambalate, fructele și legumele, lactatele, prăjiturile și băuturile nu sunt potrivite pentru congelare.
2	(***)*-Congelare	≤-18	Fructele de mare (peștele, creveții, crustaceele), produsele acvatice și cele din carne sunt potrivite pentru congelare (se recomandă depozitarea acestora timp de 3 luni; cu cât durata de depozitare este mai mare, cu atât gustul și proprietățile nutritive se pierd).
3	***-Congelare	≤-18	Fructele de mare (peștele, creveții, crustaceele), produsele acvatice și cele din carne nu sunt potrivite pentru congelare (se recomandă depozitarea acestora timp de 3 luni; cu cât durata de depozitare este mai mare, cu atât gustul și proprietățile nutritive se pierd).
4	** - Congelare	≤-12	Fructele de mare (peștele, creveții, crustaceele), produsele acvatice și cele din carne nu sunt potrivite pentru congelare (se recomandă depozitarea acestora timp de 2 luni; cu cât durata de depozitare este mai mare, cu atât gustul și proprietățile nutritive se pierd).
5	*-Congelare	≤-6	Fructele de mare (peștele, creveții, crustaceele), produsele acvatice și cele din carne nu sunt potrivite pentru congelare (se recomandă depozitarea acestora timp de 1 lună; cu cât durata de depozitare este mai mare, cu atât gustul și proprietățile nutritive se pierd).
6	Fără stele	-6≤0	Carne proaspătă de porc, vită și pui, pește proaspăt, anumite alimente prelucrate și ambalate etc. (se recomandă să fie consumate în aceeași zi, de preferință în termen de cel mult 3 zile) Alimente prelucrate, ambalate parțial (alimente necongelabile)
7	Răcire	-2≤+3	Carne proaspătă/congelată de porc, vită și pui, produse acvatice etc. (aceste alimente pot fi păstrate cel mult 7 zile la temperaturi sub 0 °C; în cazul păstrării la temperaturi care depășesc 0 °C, se recomandă să fie consumate în aceeași zi, de preferință în termen de cel mult 2 zile) Fructe de mare (aceste alimente pot fi păstrate cel mult 15 zile la temperaturi sub 0 °C; nu se recomandă păstrarea acestora la temperaturi care depășesc 0 °C)
8	Alimente proaspete	0≤+4	Carne proaspătă de porc, vită și pui, mâncare gătită etc. (se recomandă să fie consumate în aceeași zi, de preferință în termen de cel mult 3 zile)
9	Vin	+5≤+20	vin roșu, vin alb, vin spumant etc.

9. CURĂȚAREA ȘI DEZGHEȚAREA

Curățarea

Din motive de igienă, interiorul aparatului și accesoriile interne trebuie să fie curățate în mod regulat.

Atenție! În timpul curățării, aparatul trebuie să fie deconectat de la sursa de alimentare cu energie electrică. Pericol de electrocutare! Înainte de a curăța aparatul, opriți-l și scoateți ștecărul din priză sau întrerupeți circuitul electric general al locuinței. Nu curățați aparatul cu un dispozitiv de curățare cu abur. Pericol de electrocutare! Umezeala se poate acumula în componentele electrice. Aburii fierbinți pot deteriora componentele din plastic. Înainte de a repune aparatul în funcțiune, asigurați-vă că acesta este uscat.

Important! Uleiurile eterice și solvenții organici (sucul de lămâie sau suc din coaja de portocală, acidul butiric, substanțele de curățat care conțin acid acetic) pot ataca elementele din plastic ale aparatului.

- Nu lăsați substanțe de acest tip să intre în contact cu piesele aparatului.
- Nu folosiți substanțe de curățat abrazive.
- Scoateți alimentele din congelator. Depozitați-le într-un loc răcoros și acoperiți-le bine.
- Opriți aparatul și scoateți ștecărul din priză sau întrerupeți circuitul electric general din locuință.
- Curățați aparatul și accesoriile interne cu o lavetă și apă caldă. După curățarea aparatului, clătiți-l cu apă curată și ștergeți-l cu o lavetă uscată.
- După ce toate componentele sunt din nou uscate, puteți repune aparatul în funcțiune.

Dezghețarea

Combină frigorifică este concepută pe baza principiului de răcire cu aer și, prin urmare, este prevăzută cu o funcție de dezghețare automată.

10. REMEDIEREA PROBLEMELOR

Înlocuirea becului

Becul din interior este de tip LED. Pentru înlocuirea becului, contactați un tehnician calificat.

Atenție! Înainte de a remedia defecțiunile scoateți ștecărul din priză. Problemele tehnice care nu sunt prezentate în acest manual pot fi remediate numai de către un electrician calificat sau de către o persoană competentă.

Important! În timpul utilizării normale, se pot auzi unele sunete (compresorul, circulația agentului de răcire).

Problemă	Cauză posibilă	Soluție
Aparatul nu funcționează	Butonul de reglare a temperaturii este în poziția „Coldest”.	Rotiți butonul către altă poziție pentru ca aparatul să funcționeze.
	Ștecărul nu este introdus corect în priză.	Introduceți ștecărul în priză.
	Siguranța s-a ars sau este defectă.	Verificați siguranța. Dacă este necesar, înlocuiți-o.
	Priza este defectă.	Defecțiunile sursei de alimentare cu energie electrică trebuie remediate de către un electrician.
Aparatul răcește sau congelează prea mult.	Temperatura setată este prea scăzută sau aparatul funcționează la setarea „Coldest”.	Rotiți temporar butonul regulatorului către o poziție inferioară.
Alimentele nu sunt congelate suficient.	Temperatura nu este reglată corect.	Vă rugăm să citiți capitolul privind setarea temperaturii.
	Ușa a fost lăsată deschisă pentru o perioadă îndelungată.	Nu țineți ușa deschisă mai mult decât este necesar.

	În ultimele 24 de ore, au fost introduse în aparat alimente calde în cantitate mare.	Rotiți temporar butonul regulatorului către o poziție superioară.
	Aparatul se află lângă o sursă de căldură.	Vă rugăm să citiți capitolul privind locul instalării aparatului.
Se formează multă gheață pe garnitura ușii.	Garnitura ușii nu etanșează corespunzător.	Încălziți cu grijă secțiunile neetanșabile ale garniturii ușii, cu ajutorul unui uscător de păr (la o temperatură nu foarte ridicată). În același timp, modelați garnitura încălzită, astfel încât aceasta să fie poziționată corect.
Zgomote neobișnuite	Aparatul nu este stabil.	Reglați picioarele aparatului.
	Aparatul atinge peretele sau alte obiecte.	Mutați puțin aparatul.
	O componentă (de exemplu o conductă a aparatului) atinge o altă piesă a aparatului sau peretele.	Dacă este necesar, îndoiiți cu atenție componenta, astfel încât aceasta să nu mai atingă nimic.
Curge apă pe podea.	Orificiul de scurgere a apei este obturat.	Consultați secțiunea privind curățarea.
Pereții laterali ai aparatului sunt fierbinți.	Acest lucru este normal. Componentele schimbătorului de căldură se află în părțile laterale ale aparatului.	Dacă este necesar, utilizați mănuși de protecție.

Dacă defecțiunea apare din nou, contactați centrul de service.

SERVICE ȘI ASISTENȚĂ PENTRU CLIEȚI

Utilizați numai piese de schimb originale.

Când contactați centrul nostru de service autorizat, asigurați-vă că aveți la îndemână următoarele informații:

Denumirea modelului și numărul de serie.

Informațiile pot fi găsite pe plăcuța cu date tehnice. Acestea pot suferi modificări fără o notificare prealabilă.

DATE TEHNICE

Informațiile tehnice se află pe plăcuța cu date tehnice a aparatului și pe eticheta energetică.

Codul QR de pe eticheta energetică furnizată împreună cu aparatul oferă un link web către informațiile din baza de date EPREL cu privire la performanțele aparatului.

Păstrați eticheta energetică pentru consultări ulterioare, împreună cu manualul de utilizare și cu toate celelalte documente furnizate împreună cu acest aparat.

De asemenea, puteți găsi aceleași informații în baza de date EPREL, folosind link-ul <https://eprel.ec.europa.eu> și denumirea modelului și numărul de serie al produsului, pe care le găsiți pe plăcuța cu date tehnice a aparatului.

Pentru a accesa informațiile despre produsul Dvs în portalul EPREL, puteți scana codurile de mai jos:



Vă mulțumim pentru achiziționarea acestui produs! Dacă aveți nevoie de asistență în ceea ce privește produsul dumneavoastră, vizitați site-ul nostru web utilizând linkurile de mai jos:

Get User manuals: <https://www.heinner.ro>

Get Service information: <https://www.heinner.ro>



MASURI PENTRU PROTECTIA MEDIULUI

Va informam ca persoanele fizice au urmatoarele obligatii prin legislatia specifica privind protectia mediului si regimul deșeurilor:

- Deșeurile de echipamente electrice și electronice (DEEE), pot conține substanțe periculoase pentru mediu și sănătatea umană. Conform OUG 5/2015, există obligativitatea predării acestora, pentru tratarea corespunzătoare și valorificarea componentelor reciclabile. Societatea Network One Distribution S.R.L. este platitoare de taxa de "timbru verde" pentru fiecare Echipament Electric și Electronic (EEE) pe care îl pune pe piață. Acest cost asigură tratarea ulterioară a echipamentelor uzate colectate. Din acest motiv, odată ce devine deșeu, produsul EEE poate fi predat gratuit operatorului Dvs. de salubritate, la magazine atunci când achiziționați alt echipament similar, sistemul "unul la unu" sau la punctul de colectare organizat de Primăria Sectorului / localității Dvs.
- Simbolul (marcajul) aplicat produselor, care indică faptul că deșeurile DEEE, bateriile și acumulatorii - fac obiectul unei colectări separate, îl reprezintă o pubeză barată cu o cruce.



Aceste măsuri vor ajuta la protejarea mediului

Societatea Network One Distribution S.R.L. este înscrisă în Registrul de punere pe piață a echipamentelor electrice și electronice, având numărul de înregistrare: RO-2016-03-EEE-0201-IV. De asemenea, au fost întocmite și sunt gestionate: Registrul de Retragere EEE și Registrul de Rechemare EEE, în conformitate cu HG 322/2013. Totodată societatea este înscrisă în Registrul de punere pe piață a bateriilor, având numărul de înregistrare: RO-2011-03-B&A-0283.

Conformitatea cu directiva RoHS: Produsul pe care l-ați cumpărat este conform cu Directiva RoHS UE (2011/65/UE). Nu conține materialele dăunătoare și interzise specificate în Directivă.

Va mulțumim ca participați alături de noi la protejarea mediului și a sănătății umane!



HEINNER este marcă înregistrată a companiei **Network One Distribution SRL**. Celelalte branduri și denumirile produselor sunt mărci de comerț sau mărci de comerț înregistrate ale respectivilor deținători.

Nicio parte a specificațiilor nu poate fi reprodusă, sub nicio formă și prin niciun mijloc, nici utilizată pentru obținerea unor derivate precum traduceri, transformări sau adaptări, fără consimțământul prealabil al companiei NETWORK ONE DISTRIBUTION.

Copyright © 2013 Network One Distribution. Toate drepturile rezervate.

www.heinner.com, <http://www.nod.ro>

<http://www.heinner.com>, <http://www.nod.ro>



Acest produs este proiectat și realizat în conformitate cu standardele și normele Comunității Europene.



Importator: **Network One Distribution**

Str. Marcel Iancu, nr. 3-5, București, România

Tel: +40 21 211 18 56, www.heinner.com, www.nod.ro

КОМБИНИРАН ХЛАДИЛНИК

Модел:
НСNF-НМ293ХF+



- Комбиниран хладилник
- Общ капацитет: 293 л.
- Енергиен клас: F

HEINNER

1. ВЪВЕДЕНИЕ

Моля прочетете внимателно инструкциите и запазете наръчника за бъдещи справки. Този наръчник има за цел да Ви предостави всички необходими инструкции по отношение на инсталирането, използването и поддържането на уреда. Преди инсталиране и използване на уреда, с цел правилна и безопасна употреба на уреда, моля прочетете внимателно този наръчник с инструкции.

2. СЪДЪРЖАНИЕ НА ВАШИЯ ПАКЕТ

- ➔ **Комбиниран хладилник**
- ➔ **Наръчник за употреба**
- ➔ **Сертификат за гаранция**

3. ПРЕДУПРЕЖДЕНИЯ ОТНОСНО БЕЗОПАСНОСТТА

За Вашата безопасност и за правилна употреба, преди да инсталирате и използвате устройството за първи път, прочетете внимателно този наръчник за потребителя, включително препоръките и предупрежденията. За да се избегнат излишни грешки и злополуки е много важно да се уверите, че всички хора, които използват устройството са запознати с начина на експлоатация и мерките за безопасност. Запазете тези инструкции и се уверете, че ще останат заедно с уреда, ако той бъде преместен или продаден, така че всеки, който го използва в срок на неговата експлоатация да бъде добре информиран във връзка с неговата употреба и с мерките за сигурност.

За безопасност на живота и имуществото, спазвайте разпоредбите в този наръчник за потребителя, тъй като производителя не носи отговорност за щетите причинени поради пропуски.

Безопасност за деца и други уязвими лица

- Уредът може да се използва от деца на възраст от 8 години и от лица с намалени физически, сетивни или умствени възможности, които нямат опит или познания само, ако са наблюдавани или обучени относно безопасната употреба на уреда и, ако разбират опасностите, свързани с употребата.
- Децата трябва да бъдат наблюдавани, така че да не си играят с уреда.
- Почистването и поддръжката, не могат да се извършват от деца, освен ако те са на поне 8 годишна възраст и са под наблюдение.
- Не оставяйте опаковките на достъпни места за деца. Опасност от задушаване.
- За да избегнете ситуации, в които децата могат да пострадат от токов удар или да се затворят вътре в устройството, преди да го изхвърлите, изключете щепсела от контакта, отрежете захранващия кабел (възможно най-близо до устройството) и премахнете вратата на уреда.
- Ако това устройство (което е снабдено с магнитна система за затваряне) заменя по-стар уред, снабден с пружинно затваряне (клипс) на вратата или на капака, преди да изхвърлите старото устройство се уверете, че пружинното затваряне не може да се използва повече. По този начин децата не могат да останат блокирани вътре.
- Децата на възраст над 3 години имат право да поставят и изваждат храни от хладилните уреди (тази разпоредба е приложима само за страните от ЕС).

Общи мерки за безопасност

Предупреждение! Уверете се, че отворите за проветрение върху корпуса на уреда или върху неговото тяло не са запушени.

Предупреждение! Не използвайте механични устройства или други средства за ускоряване на процеса за размразяване освен тези, които са препоръчани от производителя.

Предупреждение! Не повреждайте мрежата на хладилния агент.

Предупреждение! Не използвайте други електрически устройства (като, например, машини за сладолед) вътре в отделенията за съхранение на хранителните продукти на това устройство, освен ако не са от препоръчания от производителя вид.

Предупреждение! Не докосвайте лампата в случай, че е останала светната за дълго време, защото може да бъде много гореща.

Предупреждение! Когато позиционирате уреда, уверете се, че не сте смачкали или повредили захранващия кабел.

Предупреждение! Не поставяйте зад уреда разклонители за контакт или преносими източници на захранване.

- Не съхранявайте в това устройство взривни вещества, като аерозолни спрейове със запалима течност.
- Хладилната верига на устройството съдържа охлаждателен агент R600a (изобутан), природен газ с висока степен на съвместимост с околната среда, но запалим.
- По време на транспортирането и монтажа на устройството се уверете, че нито един от компонентите на хладилната верига не е повреден.
 - Избягвайте употребата на открит пламък и източници за запалване.
 - Проветрете добре стаята, в която се намира устройството.
- Всякаква промяна на спецификациите или на продукта е опасна. Всяка повреда на захранващият кабел може да създаде риск от късо съединение, пожар или токов удар.
- Този уред е предназначен за домашна употреба и в заведения като:
 - кухни на персонала в магазини, офиси и други работни среди;
 - в домакинствата и от клиенти на хотели, мотели и други жилищни среди;
 - среди от тип пансион с предлагана закуска;
 - дейности от вида на кетъринг и доставки на едро.

Предупреждение! Електрическите компоненти (щепсела, захранващия кабел, компресора) трябва да бъдат заменени от квалифициран електротехник или от компетентно лице.

Предупреждение! Лампата, доставена с устройството е „лампа за специално използване“ и може да бъде използвана само за този уред. Тази „лампа за специално използване“ не може да бъде използвана за битово осветление (в случай, че отделението е снабдено с лампа).

- Не удължавайте захранващият кабел.
- Уверете се, че щепселът не е смачкан или повреден от задната страна на устройството. В случай, че захранващият кабел е смачкан или повреден, той може да прегрее и да причини пожар.
- Уверете се, че имате достъп до щепсела на устройството.
- Не дърпайте захранващият кабел.
- Ако контакта, в който трябва да се включи щепсела е разхлабен, не включвайте щепсела в него. Съществува риск от токов удар и пожар.
- Не употребявайте устройството без капак на лампата за вътрешно осветление.
- Устройството е тежко. Премествайте го внимателно.
- Не изваждайте и не докосвайте предмети от фризера, ако ръцете Ви са влажни / мокри, защото това може да причини увреждания на кожата или измръзване.
- Избягвайте продължителното излагане на устройството на пряка слънчева светлина.



Внимание! Опасност от пожар!

Ако охладителната верига е повредена:

- Избягвайте употребата на открит пламък и източници за запалване.
- Проветрете добре стаята, в която се намира устройството.



Предупреждение! По време на употреба, поддръжка или изхвърляне на уреда, моля, обърнете внимание на символа, подобен на този от лявата страна, разположен на гърба на уреда (задния панел или компресора), жълт или оранжев на цвят. Това е предупредителният символ за опасност от пожар. В тръбопроводите за хладилен агент и в компресора се намират запалими материали. Дръжте уреда далеч от източници на огън по време на употреба, поддръжка или изхвърляне.

Ежедневна употреба

- Не поставяйте горещи предмети върху пластмасовите компоненти на устройството.
- Не поставяйте храни директно до задната стена във вътрешността на уреда.
- Не замразявайте повторно размразени храни.
- Съхранявайте опакованите замразени храни в съответствие с инструкциите на производителя на замразените храни.
- Спазвайте стриктно препоръките за съхранение от страна на производителя на това устройство. Вижте съответните указания.

- Не съхранявайте газирани напитки във фризера, защото се създава налягане върху съдовете, които могат да експлодират, което води до повреди на устройството.
- Замразените храни могат да предизвикат измръзване, ако се консумират директно от фризера.

Почистване и поддръжка

- Преди мерките за поддръжка, изключете устройството и извадете щепсела от контакта.
- Не почиствайте устройството с метални предмети.
- Не използвайте остри предмети за отстраняване на леда от устройството. Използвайте пластмасова стъргалка.¹⁾
- Проверявайте редовно дренажния отвор на устройството. Ако е необходимо, почистете дренажния отвор. Ако дренажния отвор е запушен, ще се събере вода в долната част на устройството.²⁾

1) Ако устройството е снабдено с отделение за замразяване.

2) Ако устройството е снабдено с отделение за пресни храни.

Инсталиране

Важно! За свързване към електрическата мрежа, следвайте внимателно инструкциите.

- Разопакувайте устройството и проверете за повреди. Ако уреда е повреден, не го свързвайте към източника за хранване. Ако устройството е повредено, незабавно съобщете това на търговеца, от който сте го закупили. В такъв случай запазете опаковката.
- Препоръчваме Ви да изчакате най-малко четири часа, преди да свържете устройството към електрическата мрежа, за да може маслото да има време да се върне в компресора.
- Въздухът трябва да може да се движи свободно около устройството. Без тази вентилация, уреда може да прегрее. За да получите подходяща вентилация спазвайте инструкциите за инсталиране.
- Ако е възможно, ограничителите на продукта трябва да бъдат насочени към стената, за да се избегне докосването или хващането на горещите части (компресор, кондензатор) и, за да предотвратите евентуални изгаряния.
- Не поставяйте устройството близо до радиатори или готварски печки.
- Уверете се, че имате достъп до щепсела, след инсталиране на устройството.

Ремонти

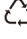
- Електрическите дейности, необходими за ремонт на устройството трябва да бъдат извършени от квалифициран електротехник или от компетентно лице.
- Продуктът трябва да бъде ремонтиран от оторизиран сервизен център, като се използват само оригинални резервни части.

Съвети за пестене на енергия

- Не поставяйте топла храна в уреда.
- Не съхранявайте храните една до друга, защото затрудняват въздушната циркулация.
- Уверете се, че храните не докосват задната страна на отделението/отделенията;
- Ако доставянето на електроенергия бъде прекъснато, не отваряйте вратата/вратите.
- Не отваряйте често вратата/вратите.
- Не оставяйте вратата/вратите отворени за прекалено дълго време.
- Не настройвайте термостата на по-ниска температура, отколкото е необходимо.
- За ниска консумация на енергия, всички аксесоари, като рафтове, чекмеджета и рафтове на вратите, трябва да се държат в предвидените за тях позиции.

Защита на околната среда и опаковъчни материали

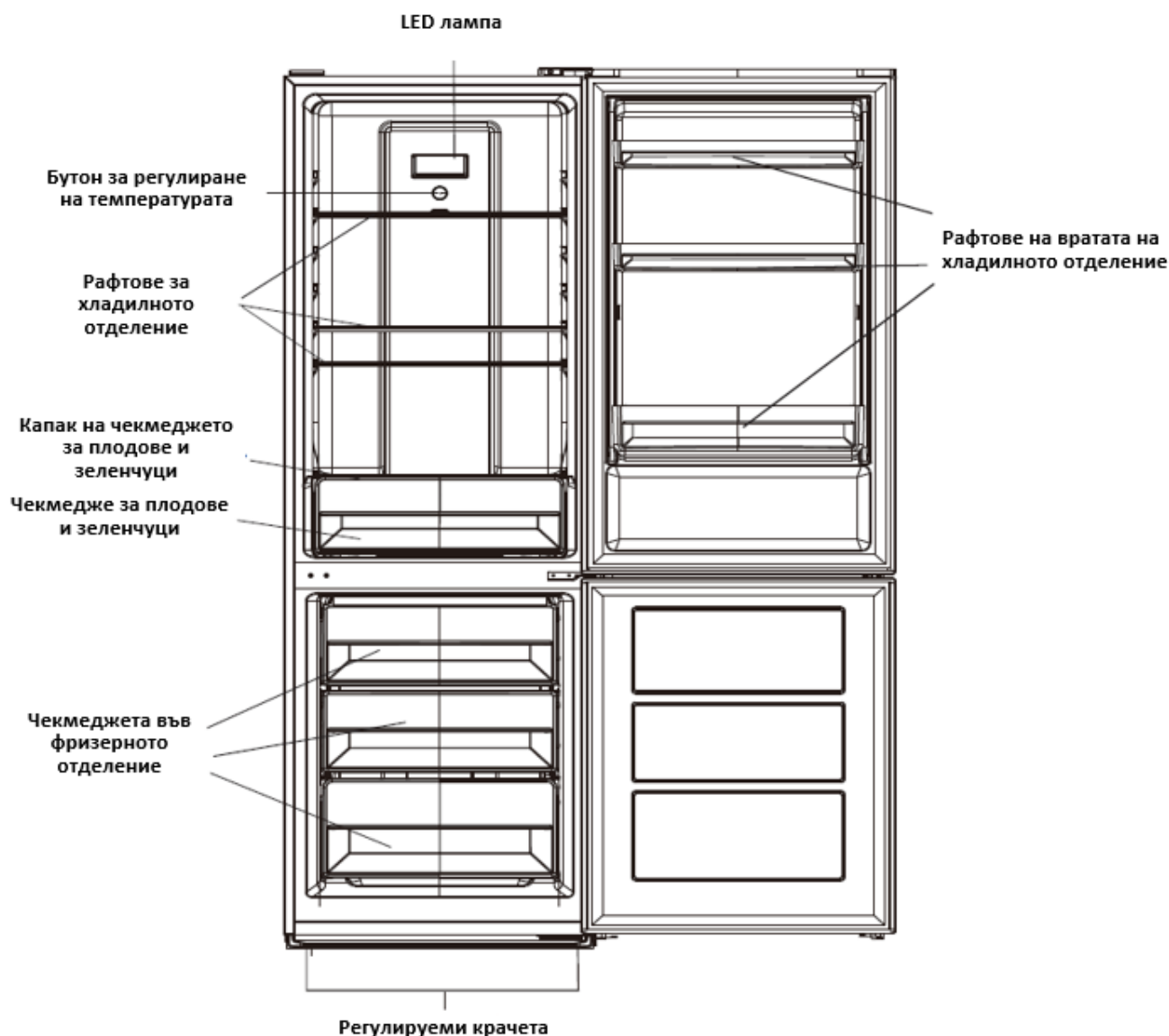
Това устройство не съдържа газове, които биха могли да навредят на озоновия слой, нито в охладителната верига, нито в изолационните материали. Устройството не трябва да се изхвърля

заедно с битовите отпадъци и боклук. Изолационната пяна съдържа запалими газове: устройството трябва да се изхвърля в съответствие с разпоредбите, приети от местните власти. Избягвайте повреди на охладителния блок, по-специално на топлообменника. Символът , отбелязан на някои материали, използвани при производството на устройството показва, че те могат да се рециклират. Материалите обозначени с този символ могат да бъдат рециклирани. Изхвърляйте опаковките в специални контейнери за рециклиране.

Обезвреждане (изхвърляне) на уреда

- Извадете щепсела от източника за захранване с електроенергия.
- Отрежете захранващият кабел и го изхвърлете.

4. ОПИСАНИЕ НА ПРОДУКТА



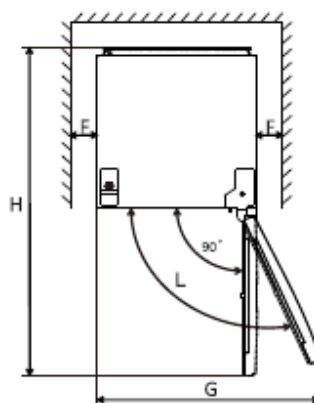
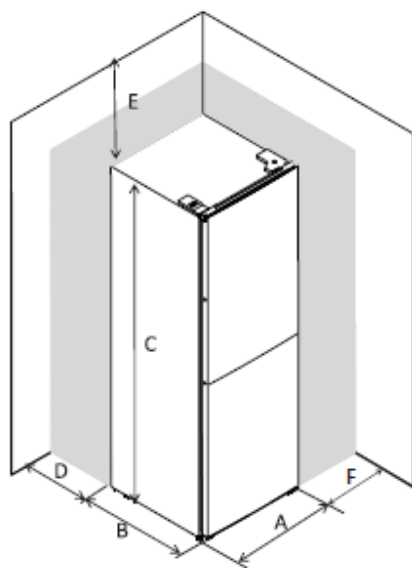
За да бъде този продукт възможно най-ефективен, моля, поставете рафтовете и чекмеджетата в позициите, които са показани в изображението по-горе.

Забележка: Горното изображение служи само за информация. Реалният продукт може да е различен.

5. ИНСТАЛИРАНЕ

Изисквания за пространство

- Изберете място, което да не е изложено на пряка слънчева светлина.
- Изберете място, което да позволява отварянето с лекота на вратите на уреда.
- Изберете място, където подът има гладка повърхност.
- Оставете достатъчно място за инсталиране на уреда върху равна повърхност.
- Оставете място отлясно, отляво, отзад и отгоре в момента на инсталиране. Това ще Ви помогне да намалите консумацията на електроенергия.
- Оставете място най-малко 50 мм отстрани и отзад.



A	600
B	600
C	1860
D	min=50
E	min=50
F	min=50
G	1200
H	1200
L	135°

Разположение

Инсталирайте това устройство на място, където температурата на помещението съответства на климатичния клас, посочен в таблицата с техническа информация за уреда.

За хладилни уреди с климатичен клас:

- разширен умерен: този хладилен уред е предназначен да се използва при температура на околната среда от 10°C до 32°C (SN);
- умерен: този хладилен уред е предназначен да се използва при температура на околната среда от 16°C до 32°C (N);
- субтропичен: този хладилен уред е предназначен да се използва при температура на околната среда от 16°C до 38°C (ST);
- тропичен: този хладилен уред е предназначен да се използва при температура на околната среда от 16°C до 43°C (T).

Място на инсталацията

Устройството трябва да се постави на място далеч от източници на топлина като радиатори, бойлери и пряка слънчева светлина. За да се осигури висока производителност, когато устройството се поставя под окачен шкаф, минималното разстояние между горната част на уреда и окаченият шкаф трябва да бъде най-малко 50 мм. Въпреки това, идеалният начин е, устройството да не бъде поставяно под окачени шкафове. За да поставите устройството точно в хоризонтално положение използвайте регулируемите крачета от основата.

Този хладилен уред не е предназначен за използване като вграден уред.

Внимание! Трябва да имате възможност да изключите устройството от източника за захранване; следователно, щепселът трябва да бъде достъпен след инсталиране.

Свързване към електрическата мрежа

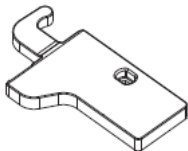
Преди да свържете уреда се уверете, че напрежението и честотата, отбелязани в таблицата с технически данни, съответстват на тези на електрозахранването в дома Ви. Устройството трябва да бъде заземено. За тази цел, щепселът на електрическия кабел е снабден с един контакт. Ако контакта в жилището не е заземен, свържете устройството към отделно заземяване, в съответствие с текущите регламенти, след като се консултирате с квалифициран електротехник.

Производителя не поема никаква отговорност, ако тези предпазни мерки не са спазени. Това устройство отговаря на Директивите на ЕИО.

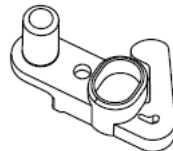
Ревърсивност на вратата

Преди да смените посоката на отваряне на вратите, моля пригответе инструментите и частите по-долу: права отвертка, кръстатa отвертка, гаечен ключ и компонентите, които са включени в найлоновата торбичка.

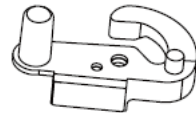
Капак на лявата панта x 1



Лява панта на горната врата x 1

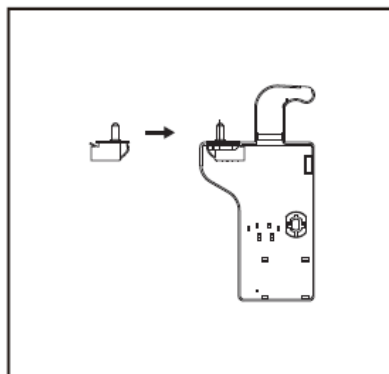
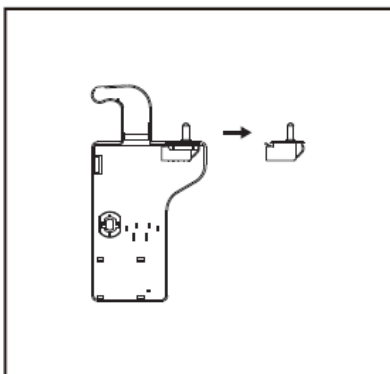
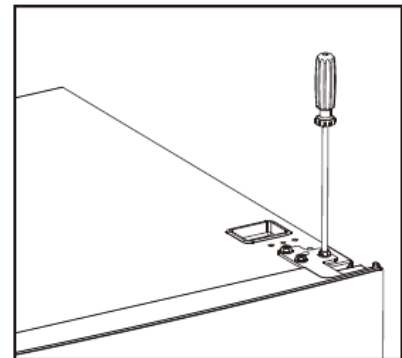
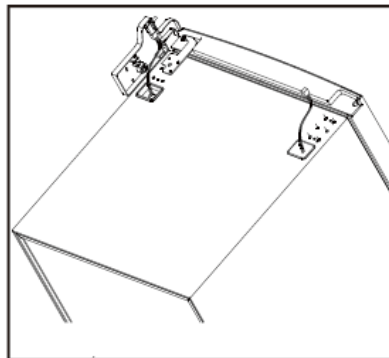
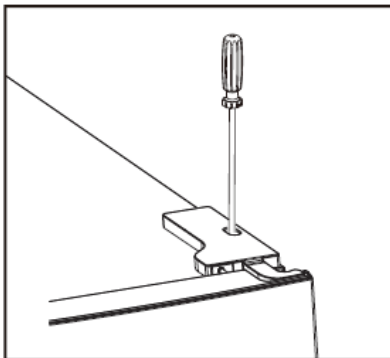


Лява панта на долната врата x 1

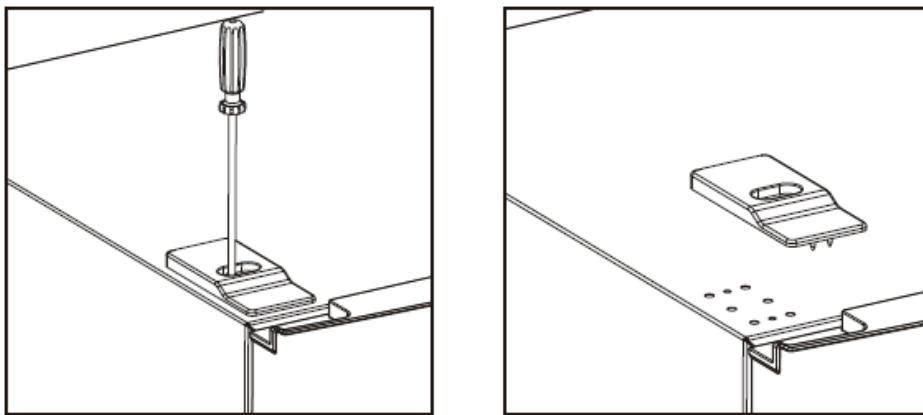


1. Развийте капака на горната панта, след което развийте горната панта.

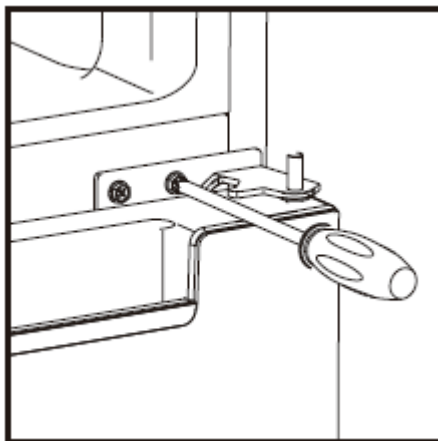
Повдигнете горната врата и я поставете върху мека повърхност, за да избегнете надраскване и повреда.



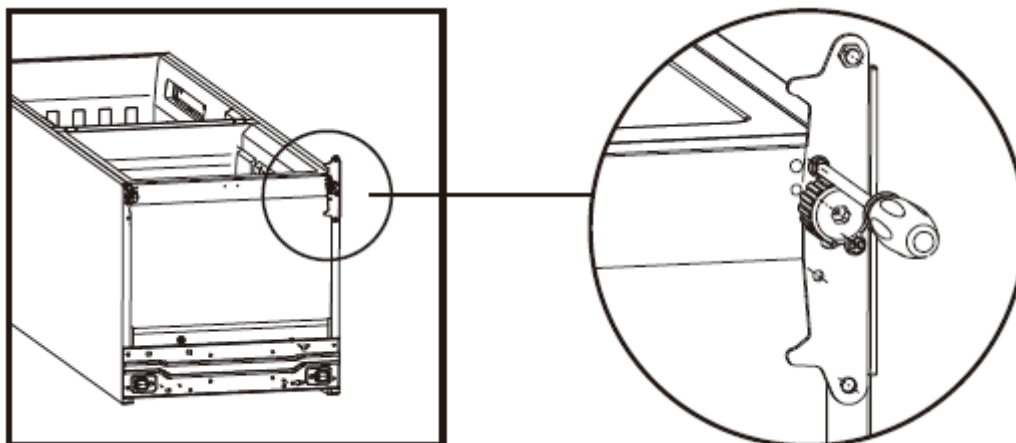
2. Извадете капака на горната панта от лявата страна.



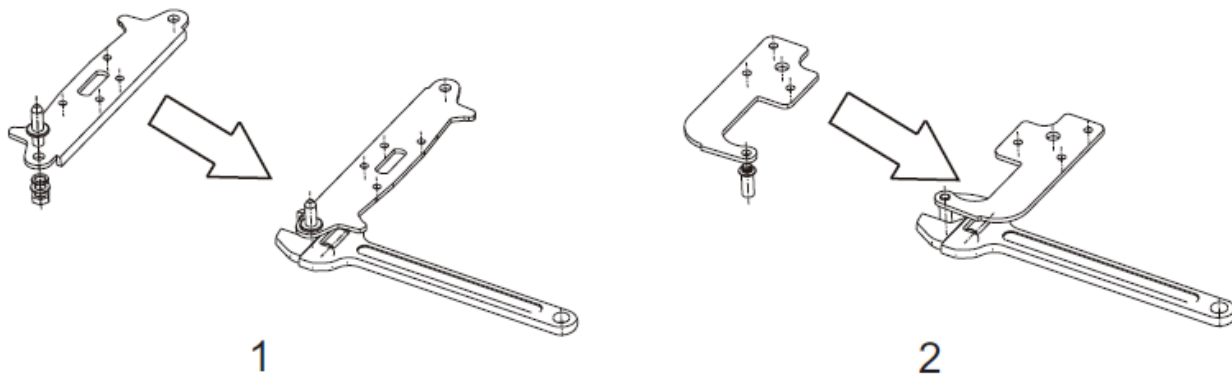
3. Извадете горната врата, развийте винта на средната панта с помощта на кръстатa отвертка, след това извадете долната врата.



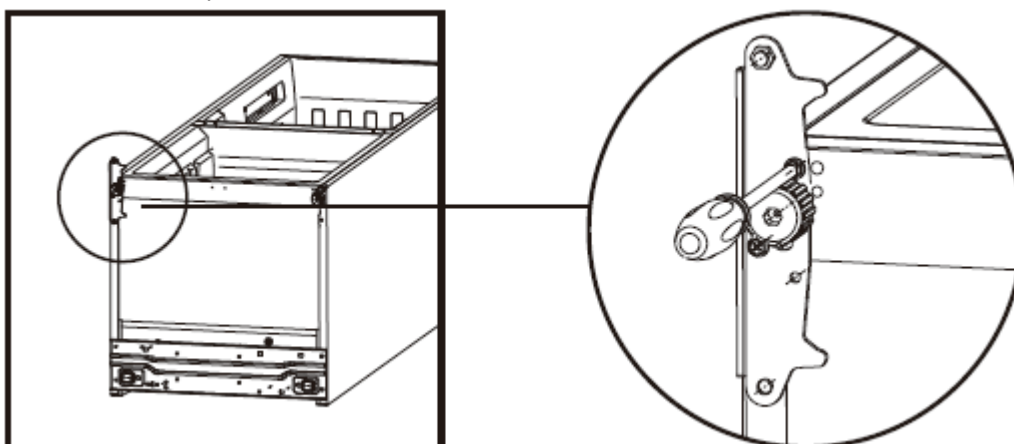
4. Поставете уреда на задната страна, извадете регулируемите крачета, така както е посочено в долното изображение, след това извадете долната панта с помощта на кръстатa отвертка.



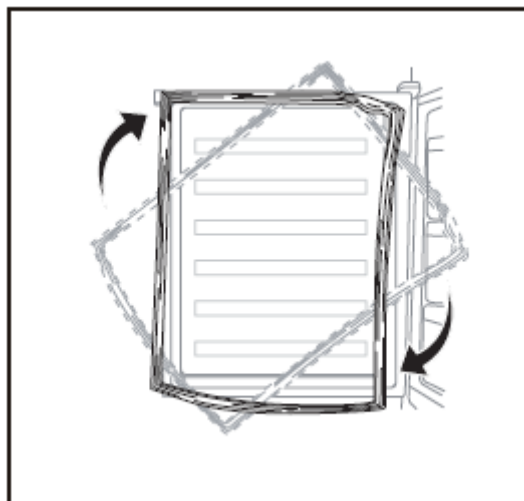
5. Фиксирайте оста на долната панта и тази на горната панта в противоположната позиция.



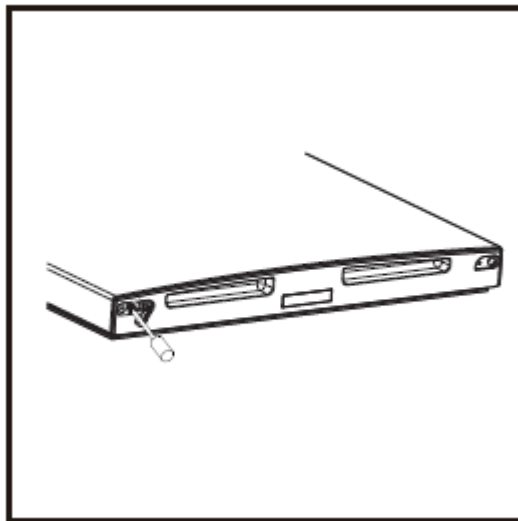
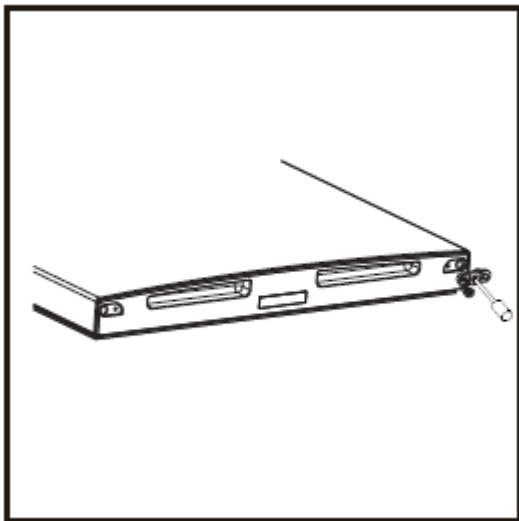
6. Монтирайте долната панта в долната страна на уреда, като завийте регулируемите крачета и се уверете, че позицията е хоризонтална.



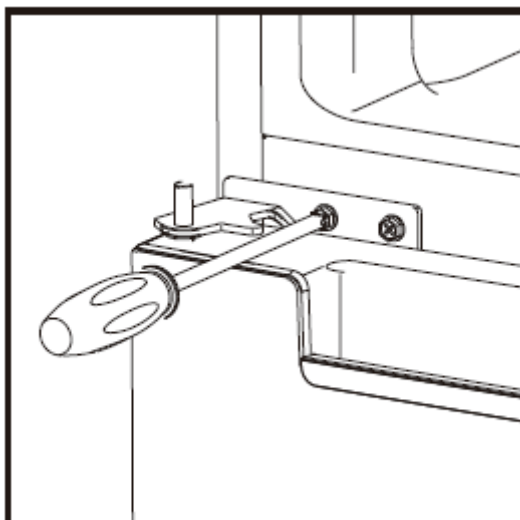
7. Отстранете уплътнението на вратата на хладилното отделение и уплътнението на вратата на фризерното отделение, след което ги закрепете, след като ги завъртите.



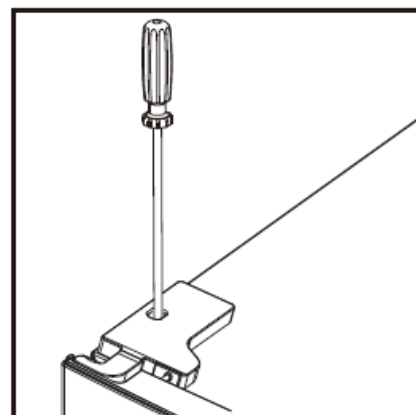
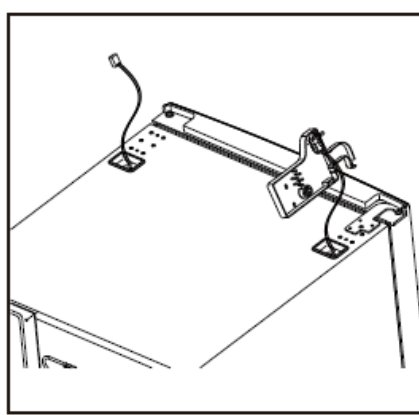
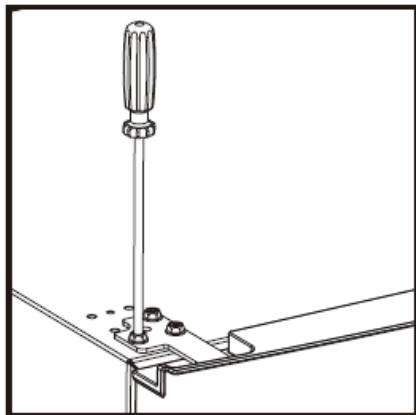
8. Развийте оригиналните панти на горната и долната врата, след което монтирайте пантите от чантата с аксесоари (която съдържа и ръководствата за употреба) от противоположната страна.



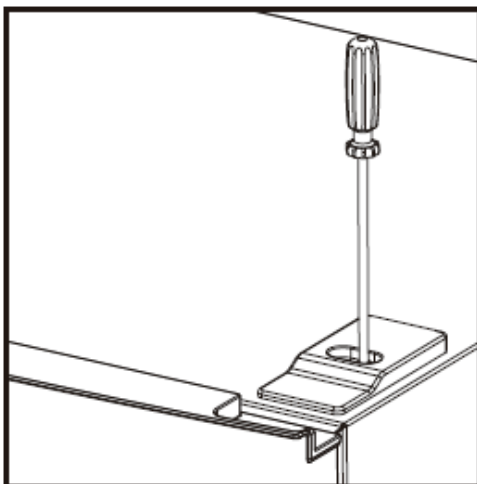
9. Монтирайте долната врата, след това регулирайте и фиксирайте средната панта върху корпуса на уреда.



10. Поставете на място горната врата. Преди да стегнете горната панта, уверете се, че вратата е подравнена хоризонтално и вертикално, така че уплътненията да бъдат позиционирани правилно. Прикрепете горната панта към горната част на уреда, след което закрепете капака на пантата (намиращ се в чантата с аксесоари) с помощта на един винт.

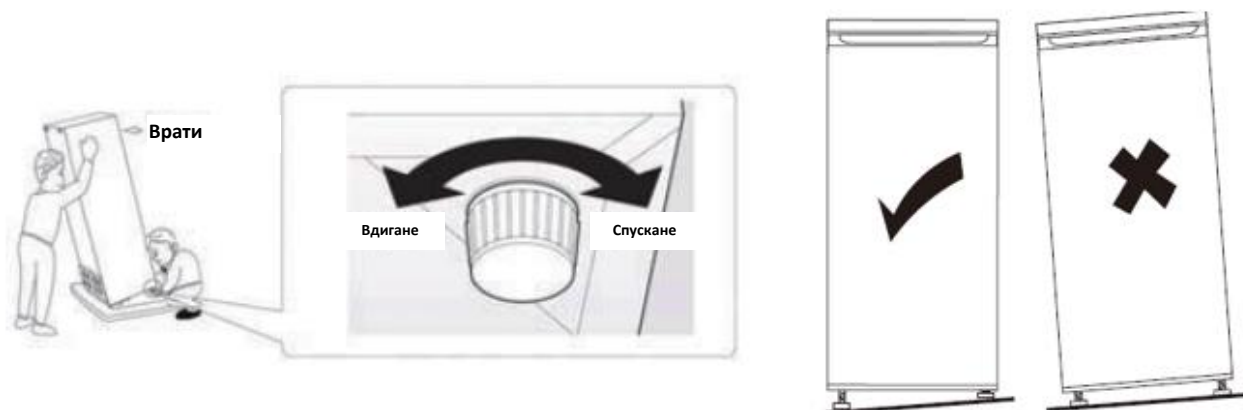


11. Прикрепете маскиращия капак.



Нивелиране на уреда

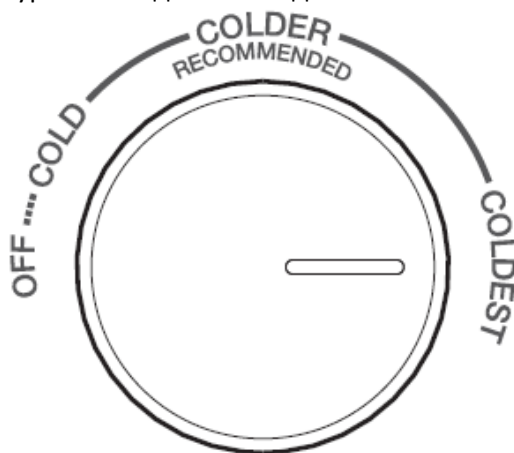
За нивелиране на уреда регулирайте двете крачета от предната страна на уреда. Ако уредът не е нивелиран, вратата и магнитните уплътнения няма да бъдат подравнени по съответстващ начин.



6. КОНТРОЛЕН ПАНЕЛ

Настройка на температурата в хладилното отделение

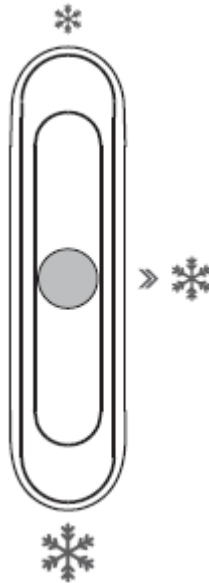
Бутон за настройка на температурата в хладилното отделение.







- Бутонът в хладилното отделение се използва за регулиране на температурата в хладилното отделение.
- Вътрешната температура се контролира чрез един сензор. На разположение са 4 настройки: OFF, COLD, COLDER и COLDEST. COLD е настройка за най-високата температура, а COLDEST е настройка за най-ниската температура.
- Ако уредът е поставен в много топла среда или ако отваряте често вратата, възможно е той да не функционира при правилната температура.
- Когато настройката е „OFF“, хладилното отделение и фризерното отделение не работят.

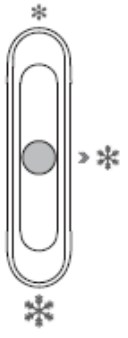
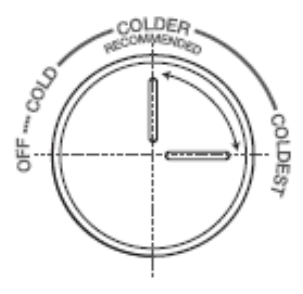
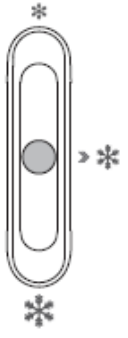
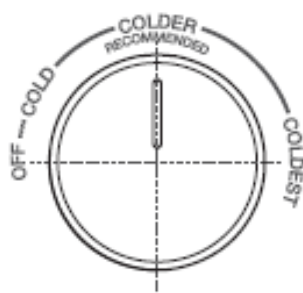
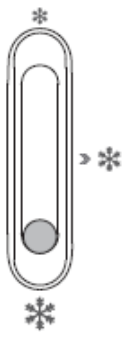
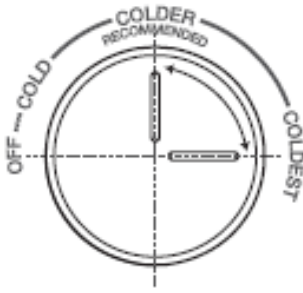
Настройка на температурата във фризерното отделение

Плъзгащият се бутон за настройка на температурата във фризерното отделение.



- Плъзгащият се бутон в хладилното отделение се използва за регулиране на температурата във фризерното отделение.
- Когато плъзгащият се бутон е в положение , температурата във фризерното отделение е висока. Когато плъзгащият се бутон е в положение , температурата във фризерното отделение е по-ниска.
- Средното положение  на плъзгащия се бутон е препоръчителното положение за нормална употреба.
- За да получите най-ниската температура във фризерното отделение, регулирайте въртящия се бутон в положение „COLDEST“ и позиционирайте плъзгащия се бутон в положение .

Препоръки за настройка на температурата

Препоръки за настройка на температурата			
Температура на околната среда	Фризерно отделение		Хладилно отделение
Лятото (над 30 °C)		Регулирайте ❄️	 Регулирайте бутона в интервала „colder” ~
Нормална		Регулирайте ❄️	 Регулирайте бутона в позиция „colder”
Зимата (под 16 °C)		Регулирайте ❄️❄️	 Регулирайте бутона в интервала „colder” ~

- Информацията по-горе дава препоръки на потребителите относно настройката на температурата.
- През зимата или при температури под 16 °C се препоръчва регулиране в положенията ❄️ и „Cold”.
- За да се пести енергия, регулирането в положенията ❄️ и „Coldest” се препоръчва само в специални случаи (за бързо замразяване или производство на лед).

Забележка: Настройването на висока температура ускорява процеса на разваляне на храната..

7. ЕЖЕДНЕВНА УПОТРЕБА

Първо използване

Почистване на вътрешната част

Преди да използвате уреда за първи път, измийте вътрешната част и всички вътрешни аксесоари с леко топла вода и с неутрален препарат за миене, за да отстраните специфичната миризма на нов продукт, след това изсушете ги добре.

Важно! Не използвайте абразивни препарати за миене или прахове, защото ще повредят повърхностите.

Ежедневна употреба

Поставете различните видове храни в различни отделения, както е показано в таблицата по-долу:

Отделения на хладилника	Видове храни
Рафтове върху вратата на хладилното отделение	Храни, съдържащи естествени консерванти, като конфитюри, сокове, напитки, подправки. Не съхранявайте храни, които се развалят бързо.
Чекмедже за зеленчуци и плодове (чекмедже за салати)	Плодовете, билките и зеленчуците трябва да се поставят отделно в чекмеджето за плодове и зеленчуци. Не съхранявайте в хладилника банани, лук, картофи или чесън.
Централен рафт на хладилника	Млечни продукти, яйца
Горен рафт на хладилника	Храни, които не изискват приготвяне, готови за консумация храни, колбаси, остатъчна храна.
Чекмедже(та)/Рафт фризер	За храни, които могат да бъдат съхранявани дългосрочно. Долно чекмедже/Долен рафт - за сурово месо, птиче месо, риба. Средно чекмедже/Среден рафт – за замразени зеленчуци, замразени картофи. Горно чекмедже/Горен рафт – за сладолед, замразени плодове, замразени сладкарски изделия.

Замразяване на пресни храни

- Фризерното отделение е подходящо за замразяване на пресни храни и за дълготрайно съхранение на замразени храни.
- Поставете пресните храни в отделението за замразяване.
- Максималното количество храни, които могат да бъдат замразени за 24 часа, е посочено върху табелката с техническите данни.
- Процесът на замразяване трае 24 часа: в този интервал от време не добавяйте други храни с цел замразяване.

Съхранение на замразени храни

При първото включване или след период, в който уредът не е използван, преди да поставите храни в отделението, оставете уреда да функционира по време на най-малко 2 часа при настройките за най-ниските температури.

Важно! При случайно размразяване, например поради прекъсване на подаването на електроенергия, ако времето на прекъсването е повече от стойността, посочена в таблицата с техническите характеристики, замразените храни трябва да се консумират бързо или трябва да се сготвят веднага и след това да се замразят отново (след сготвяне).

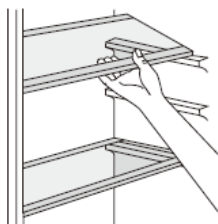
Размразяване

Преди да бъдат използвани, замразените храни могат да бъдат размразени в отделението за охлаждане или на стайна температура, в зависимост от времето, с което разполагате за тази операция. Малките парченца могат да бъдат замразени директно в камерата. В този случай времето за готвене ще бъде по-дълго.

Акcesoари

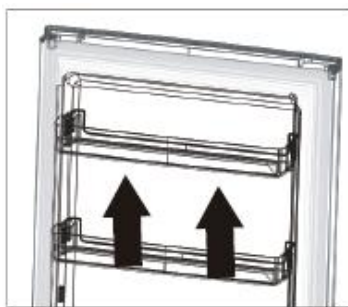
Преместваеми рафтове

Върху стените на хладилника има помощни водачи, така че рафтовете да могат да бъдат поставени според предпочитанията.



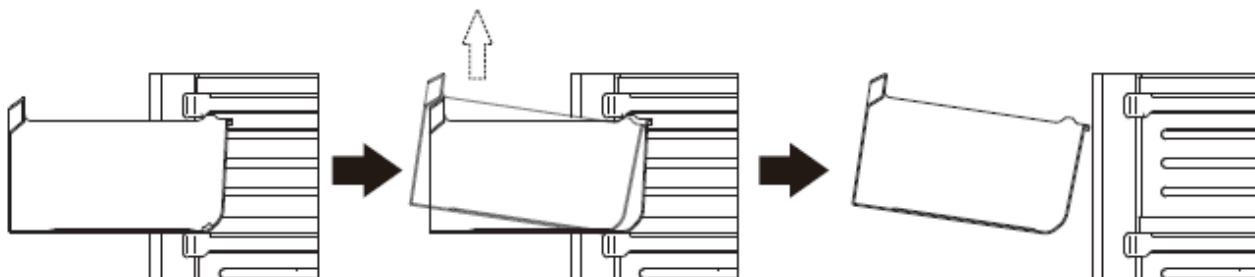
Позициониране на рафтовете върху вратата

Рафтовете върху вратата могат да се изваждат с оглед почистване. За да разкачите рафтовете, извършете следното: Дръпнете леко за рафта по посока на стрелките, докато излезе, почистете го и поставете го отново според предпочитанията.



Сваляне на долното чекмедже

1. Издърпайте долното чекмедже до ограничителя.
2. Повдигнете предната част на чекмеджето.
3. Извадете долното чекмедже.



8. СЪХРАНЯВАНЕ НА ХРАНИ

Препоръки при замразяване

За да получите по-ефективно замразяване, ето няколко важни препоръки:

- максималното количество храни, които могат да бъдат замразени за 24 часа, е посочено върху табелката с техническите данни.
- процесът на замразяване трае 24 часа. По време на този процес не добавяйте други храни за замразяване;
- замразявайте само храни с високо качество, свежи и добре почистени;
- подгответе малки порции храна, които могат да бъдат замразени бързо и напълно, за да можете след това да размразите само необходимото количество;
- увийте храните в алуминиево фолио или полиетилен и се уверете, че пакетите са добре затворени;

- уверете се, че незамразените пресни храни не се допират до вече замразените храни, като по този начин предотвратявате покачването на температурата на последните.
- храните без съдържание на мазнини се съхраняват по-добре и за по-дълъг период, отколкото тези, които съдържат мазнини; солта намалява срока за съхранение на храните;
- ако се консумират веднага след изваждане от фризера, сладоледите могат да предизвикат кожни наранявания или измръзване;
- препоръчваме Ви да запишете датата на замразяване върху всяка опаковка, за да следите периода за съхранение.
- препоръчваме Ви да запишете датата на замразяване върху всяка опаковка, за да следите периода за съхранение

Препоръки за запазване на замразените храни

За да получите най-добри резултати с това устройство, Ви препоръчваме следното:

- проверете дали замразените храни са били съхранени правилно в магазина;
 - уверете се, че замразените храни са прехвърлени от магазина във фризера възможно най-бързо;
 - не отваряйте вратата много често и не я оставяйте отворена повече отколкото е необходимо;
- след размразяване храните се развалят бързо и не могат да бъдат замразени отново;
Не превишавайте периода за съхранение, посочен от производителя на храните.

Препоръки относно охлаждането на пресните храни

За получаване на оптимални постижения:

- Не съхранявайте в уреда топла храна или течности, които се изпаряват.
- Покрийте или опаковайте храните, особено ако образуват силни миризми.

Препоръки при охлаждане

- Месото (от всеки вид) се опакова в полиетиленово фолио и се поставя върху стъкления рафт, който се намира над чекмеджето за плодове и зеленчуци.
- За сигурност, съхранявайте месото по този начин само за един или най-много два дни.
- Готвени храни, колбаси и др.: Трябва да се покриват и да се поставят върху произволен рафт.
- Плодове и зеленчуци: Трябва да бъдат добре почистени и трябва да се поставят в чекмеджетата, предназначени за тях.
- Краве масло и сирена: Трябва да бъдат поставени в специални съдове, затворени херметически, или да бъдат увити в алуминиево фолио или в полиетиленови торбички, възможно най-плътно затворени.
- Бутилки с мляко: трябва да бъдат предвидени с капак и трябва да се съхраняват върху рафтовете на вратата.
- Ако не са опаковани, бананите, картофите, лукът и чесънът не трябва да се съхраняват в хладилник.

За да избегнете заразяването на храни, спазвайте инструкциите по-долу:

- Ако вратата на уреда е оставена отворена за дълъг период от време, температурата в отделенията на уреда се увеличава значително.
- Почиствайте периодично повърхностите, които могат да влязат в контакт с храните, както и източващите системи на уреда.
- Съхранявайте суровото месо и прясната риба в подходящи съдове, така че продуктите да не влизат в контакт с други храни.
- Фризерните отделения с две звезди са подходящи за съхранение на предварително замразени храни, за съхранение или приготвяне на сладолед и за производство на кубчета лед.
- Отделенията с една, две и три звезди не са подходящи за замразяване на пресни храни.

Забележка: Моля, съхранявайте храните в подходящите отделения и при препоръваните температури за съхранение.

- Ако хладилният уред ще бъде оставен празен за дълъг период от време, изключете го, размразете го, почистете го, избършете го добре и оставете вратата му отворена, за да се предотврати образуването на мухъл във вътрешността му.

Пореден номер	Тип на отделението	Препоръчвана температура за съхранение [°C]	Храни
1	Охлаждане	+2 ≤ +6	Яйцата, готвените храни, пакетирани храни, плодовете и зеленчуците, млечните продукти, сладкишите и напитките не са подходящи за замразяване.
2	(***)*- Замразяване	≤ -18	Морските дарове (рибата, скаридите, ракообразните), водните и месните продукти са подходящи за замразяване (препоръчва се тяхното съхранение за 3 месеца; колкото повече е времето за съхранение, толкова повече се губят вкуса и хранителните свойства).
3	***-Замразяване	≤ -18	Морските дарове (рибата, скаридите, ракообразните), водните и месните продукти не са подходящи за замразяване (препоръчва се тяхното съхранение за 3 месеца; колкото повече е времето за съхранение, толкова повече се губят вкуса и хранителните свойства).
4	** -Замразяване	≤ -12	Морските дарове (рибата, скаридите, ракообразните), водните и месните продукти не са подходящи за замразяване (препоръчва се тяхното съхранение за 2 месеца; колкото повече е времето за съхранение, толкова повече се губят вкуса и хранителните свойства).
5	*-Замразяване	≤ -6	Морските дарове (рибата, скаридите, ракообразните), водните и месните продукти не са подходящи за замразяване (препоръчва се тяхното съхранение за 1 месец; колкото повече е времето за съхранение, толкова повече се губят вкуса и хранителните свойства).
6	Без звезди	-6 ≤ 0	Прясно свинско, говеждо, телешко и пилешко месо, прясна риба, някои преработени и пакетирани храни и др. (препоръчва се да се консумират в същия ден, за предпочитане до 3 дни) Преработени храни, частично пакетирани (храни, които не трябва да се замразяват)
7	Охлаждане	-2 ≤ +3	Прясно/замразено свинско, говеждо, телешко и пилешко месо, водни продукти и др. (тези храни могат да се съхраняват до 7 дни при температури под 0°C; в случай на съхранение при температури, които надвишават 0°C, препоръчва се да се консумират в същия ден, за предпочитане до 2 дни) Морски дарове (тези храни могат да се съхраняват до 15 дни при температури под 0°C; не се препоръчва съхранението им при температури, които надвишават 0°C)

8	Пресни храни	$0 \leq +4$	Прясно свинско, говеждо, телешко и пилешко месо, готвена храна и др. (препоръчва се да се консумират в същия ден, за предпочитане до 3 дни)
9	Вино	$+5 \leq +20$	Червено вино, бяло вино, пенливо вино и др.

9. ПОЧИСТВАНЕ И РАЗМРАЗЯВАНЕ

Почистване

Поради хигиенни съображения, вътрешността на устройството и вътрешните аксесоари трябва да се почистват редовно.

Внимание! По време на почистване, устройството трябва да е изключено от източника на енергия. Опасност от токов удар! Преди да почистите уреда, изключете го и извадете щепсела от контакта или прекъснете общата електрическа верига на жилището. Не почиствайте устройството с парочистачка. Може да се натрупа влага в електрическите компоненти. Горещата пара може да повреди пластмасовите компоненти. Преди да включите отново уреда се уверете, че е сух.

Важно! Етеричните масла и органичните разтворители (лимонов сок или сок от портокалова кора, маслена киселина, почистващи вещества, които съдържат оцетна киселина) могат да повредят пластмасовите части на уреда.

- Не допускайте такива вещества да влизат в контакт с частите на устройството.
- Не използвайте абразивни почистващи препарати.
- Извадете храните от фризера. Съхранявайте ги на хладно място и ги покрийте добре.
- Изключете уреда и извадете щепсела от контакта или прекъснете общата електрическа верига на жилището.
- Почистете устройството и вътрешните аксесоари с кърпа и хладка вода. След почистване на уреда, изплакнете с чиста вода и го подсушете със суха кърпа.
- След като всички компоненти са сухи, можете да включите устройството да работи.

Размразяване

Двукрилният хладилник е проектиран на принципа на въздушното охлаждане и поради това е снабден с функция за автоматично размразяване.

10. ОТСТРАНЯВАНЕ НА ПРОБЛЕМИ

Смяна на крушката

Крушката от вътрешната страна е от тип светодиод. За смяна на крушката, свържете се с квалифициран техник.

Внимание! Преди да отстраните повредите, извадете щепсела от контакта. Техническите проблеми, които не са представени в това ръководство, могат да бъдат отстранени само от квалифициран електротехник или от компетентно лице.

Важно! По време на нормална употреба, може да чувате шумове (компресорът, циркулация на охлаждащата течност).

Проблем	Възможна причина	Решение
Уредът не работи.	Бутонът за регулиране на температурата се намира в позиция "Coldest".	Завъртете бутона към друга позиция, така че уредът да функционира.
	Щепселът не е поставен правилно в контакта.	Поставете щепсела в контакта.
	Предпазителят е изгорял или е повреден.	Проверете предпазителя. Ако е необходимо, сменете го.
	Електрическият контакт е повреден.	Повредите на източника за захранване с електроенергия трябва да се отстраняват от електротехник.
Уредът охлажда или замразява твърде много.	Настроената температура е твърде ниска или уредът функционира при настройка „Coldest“.	Завъртете временно бутона за регулиране към по-ниска позиция
Храните не са достатъчно замразени.	Температурата не е настроена правилно.	Моля прочетете главата относно настройката на температурата.
	Вратата е била оставена отворена за дълъг период от време.	Не дръжте вратата отворена повече време отколкото е необходимо.
	През последните 24 часа е било поставено в уреда голямо количество топли храни.	Завъртете временно бутона на регулатора към по-горна позиция.
	Уредът се намира до източник на топлина.	Моля прочетете главата относно мястото за инсталиране на уреда.
Образува се много лед върху уплътнението на вратата.	Уплътнението на вратата не уплътнява по съответстващ начин.	Загрейте внимателно местата, където уплътнението на вратата не прилепва, с помощта на сешоар (на не много висока температура). В същото време оформете затопленото уплътнение, така че то да прилепне правилно.
Необичайни шумове	Устройството не е нивелирано.	Регулирайте крачетата на устройството.
	Уредът контактува със стената или с други предмети.	Преместете леко уреда.
	Една компонента (например тръба на уреда) контактува с друга част на уреда или със стената.	Ако е необходимо, сгънете внимателно компонентата, така че да не докосва вече нищо.
Тече вода върху пода.	Дренажния отвор за вода е блокиран.	Вижте раздела относно почистването.
Страничните стени на уреда са горещи.	Това е нормално. Компонентите на топлообменника са разположени в страничните части на уреда.	Ако е необходимо, използвайте защитни ръкавици.

Ако неизправността се появи отново, свържете се със сервизния център.

СЕРВИЗ И ОБСЛУЖВАНЕ НА КЛИЕНТИ

Използвайте само оригинални резервни части.

Когато се свързвате с нашия оторизиран сервизен център, уверете се, че имате под ръка следната информация: Наименование на модела и сериен номер.

Информацията може да бъде намерена на табелката с технически данни. Те подлежат на промяна

без предварително уведомление.

ТЕХНИЧЕСКИ ДАННИ

Техническата информация се намира на табелката с технически данни на уреда и на енергийния етикет.

QR кодът на енергийния етикет, предоставен заедно с уреда, предлага уеб връзка към информацията в базата данни на EPREL относно постиженията на уреда.

Запазете енергийния етикет за бъдещи справки, заедно с ръководството за употреба и с всички други документи, предоставени заедно с този уред.

Също така, можете да намерите същата информация в базата данни на EPREL, като използвате връзката <https://eprel.ec.europa.eu> и наименованието на модела и серийния номер на продукта, които можете да намерите на табелката с технически данни на уреда.

За достъп до информация за вашия продукт в портала EPREL можете да сканирате кодовете по-долу:



Благодарим ви, че закупихте този продукт! Ако имате нужда от помощ във връзка с вашия продукт, посетете нашия уебсайт, като използвате връзките по-долу:

Получете ръководства за употреба: <https://www.heinner.ro>

Получете информация относно ремонтите: <https://www.heinner.ro>



Изхвърляне на отпадъците по начин, отговорен за околната среда

Можете да помогнете за опазването на околната среда!

Моля спазвайте местните разпоредби: Предайте нефункциониращото електрическо оборудване на център за събиране на отпадъци от електрическо оборудване.



HEINNER е регистрирана марка на компанията **Network One Distribution SRL**. Останалите търговски марки и наименованията на продуктите са търговски марки или регистрирани търговски марки на съответните им притежатели.

Нито една част от спецификациите не може да бъде възпроизвеждана под каквато и да е форма или средство, или използвана за получаване на производни като преводи, трансформации или адаптации, без предварителното съгласие на компанията NETWORK ONE DISTRIBUTION.

Copyright © 2013 Network One Distribution. Всички права запазени.

www.heinner.com, <http://www.nod.ro>

<http://www.heinner.com>, <http://www.nod.ro>



Този продукт е проектиран и произведен в съответствие със стандартите и нормите на Европейската общност.



Вносител: **Network One Distribution**

ул. Марчел Янку № 3-5, Букурещ, Румъния

Tel: +40 21 211 18 56, www.heinner.com , www.nod.ro

KOMBINÁLT HŰTŐSZEKRÉNY

Modell:

HCNF-HM293XF+



- Kombinált hűtőszekrény
- Teljes űrtartalom: 293 L
- Energia hatékonysági osztály: F

HEINNER

1. BEVEZETÉS

Kérjük, figyelmesen olvassa el az utasításokat, és őrizze meg a kézikönyvet későbbi tanulmányozás céljából. A kézikönyv célja a készülék beszerelésével, használatával és karbantartásával kapcsolatos minden szükséges tudnivalót rendelkezésére bocsátani. A készülék helyes és biztonságos használata érdekében, kérjük, hogy beszerelés és használat előtt olvassa el figyelmesen a használati kézikönyvet.

2. AZ ÖN CSOMAGJÁNAK TARTALMA

- ➔ **Kombinált hűtőszekrény**
- ➔ **Használati kézikönyv**
- ➔ **Jótállási bizonylat**

3. BIZTONSÁGI FIGYELMEZTETÉSEK

Az ön biztonsága és a helyes használat érdekében a készülék felállítása és első használata előtt olvassa el figyelmesen a felhasználó kézikönyvét, az ajánlásokkal és figyelmeztetésekkel együtt. A fölösleges tévedések és balesetek elkerülése érdekében fontos meggyőződni arról, hogy minden személy, aki a készüléket használja, ismeri a biztonságos működés módját és a biztonsági intézkedéseket. Őrizze meg ezt a kézikönyvet, és gondoskodjon arról, hogy a készülékkel együtt marad, ha azt elköltöztetnék vagy eladnák, s ily módon bárki használná az élettartama alatt, megfelelőképpen tájékozódhasson a használatáról és a szükséges biztonsági intézkedésekről.

Életének és vagyonának biztonsága érdekében tartsa be a használati kézikönyv előírásait, mivel a mulasztásokból származó károkért a gyártó nem felel.

A gyermekek és más érzékeny személyek biztonsága

- Ezt a készüléket 8 éven felüli gyermekek és szellemileg fogyatékos- sérült vagy tapasztalattal nem rendelkező emberek csak akkor használhatják, ha az értük felelős személy felügyeli őket, illetve előzetesen megértette velük a készülék biztonságos használatát.
- A gyerekekre figyelni kell, nem kell engedni, hogy a készülékkel játszanak.
- A készülék tisztítását és karbantartását nem végezheti felügyelet nélküli gyermek, kivéve, ha elmúlt 8 éves és felügyeljük.
- A csomagolást tartsa gyermekektől elzárt helyen. Vigyázat, fulladásveszély!
- Hogy elkerülje a gyerekek bezáródását a készülék belsejébe, vagy áramütés elszívését, mielőtt kidobná a készüléket, húzza ki az aljzatból, vágja le az áramellátó kábelt (minél közelebb a készülékhez) és szerelje le a készülék ajtaját.
- Ha ez a mágneses ajtóval ellátott készülék, olyan régi készüléket helyettesít, amelynek ajtója, vagy fedele rugóval (retesszel) működik, mielőtt kidobná, bizonyosodjon meg, hogy a rugós rendszer használhatatlan. Így megelőzi, hogy a gyermekek bezáródjanak az eldobott hűtőszekrénybe.
- A 3 éves és idősebb gyermekek számára engedélyezett, hogy behelyezzenek és eltávolítsanak élelmiszereket a hűtőszekrényből (ez csak az EU-országokra vonatkozik).

Általános biztonsági intézkedések

Figyelmeztetés! Ellenőrizze, hogy a hűtőszekrény szellőzőnyílásai szabadon álljanak.

Figyelmeztetés! Leolvasztáshoz kizárólag a gyártó által ajánlott módszereket használja, ne használjon gépi vagy más eszközt a leolvasztás gyorsítására.

Figyelmeztetés! Ne sértse meg a hűtőfolyadék keringési rendszerét.

Figyelmeztetés! Ne használjon egyéb elektromos készüléket az élelmiszerek tárolására kialakított rekeszekben (mint például jégkrém készítő gép), csak ha ezek kizárólag a gyártó által ajánlott típusú elektromos készülékek.

Figyelmeztetés! Ne érjen hozzá az izzóhoz, ha az egy ideje ég, mert ez nagyon felforrósodhat.

Figyelmeztetés! A berendezés elhelyezése során figyeljen arra, hogy a tápkábelt ne nyomja össze és ne rongálja meg.

Figyelmeztetés! Ne helyezzen a berendezés mögé elosztókat vagy hordozható áramforrásokat.

- Ne tároljon a készülékben robbanó anyagokat, mint például aeroszolos gyúlékony üzemanyagot tartalmazó sprayeket.
- A készülék hűtőfolyadék rendszere R600a (izobután) hűtőfolyadékot tartalmaz, amely egy természetes gáz, magas szintű környezeti kompatibilitással, de gyúlékony.
- Győződjön meg, hogy szállítás és felállítás idején a hűtőfolyadék keringési rendszerének egyetlen eleme sem rongálódott meg.
 - Kerülje a nyílt láng használatát és a tűzforrásokat.
 - Alaposan szellőztesse ki a helyiséget, amelyben a készülék található.
- A készülék jellegzetességeinek bármely megváltoztatása vagy módosítása veszélyes. A tápkábel bármely megrongálódása rövidzárlatot, tüzet és/vagy áramütést okozhat.
- Ezt a készüléket háztartási használatra és olyan létesítményekben való használatra szánták, mint például:
 - üzletek, irodák és más munkahelyek személyzetének konyhája;
 - háztartási és szállodák, motelek és más hasonló tartózkodási hely típusú környezet;
 - reggelit is felszolgáló panzió típusú környezet;
 - catering típusú és ehhez hasonló, nem kereskedelmi alkalmazások.

Figyelmeztetés! Ha az elektromos összetevők bármelyike sérült (aljzat, tápkábel, kompresszor), ezt szakemberrel, vagy erre illetékes személlyel kell cseréltetni.

Figyelmeztetés! A készülékkel szállított izzó egy „speciális használatra szánt izzó” és csak ezzel a készülékkel használható. Ez a „speciális használatra szánt izzó” nem használható háztartási világításra (amennyiben a belső tér el van látva izzóval).

- Ne hosszabbítsa meg a tápkábelt.
- Győződjön meg, hogy hátul a dugó nem zúzódott össze és nem rongálódott meg. Az összezúzott vagy megrongálódott dugó túlhevülhet, és kigyulladhat.
- Győződjön meg, hogy mindig hozzáférhet a tápkábelhez.
- Ne rángassa a tápkábelt.
- Ha meglazult az aljzat, amelybe a dugót be kell dugni, ne használja. Áramütés- és tűzveszély léphet fel.
- A készüléket ne használja, ha a hűtőteret világító izzólámpa nem működik.
- A készülék nehéz. Óvatosan költöztesse.
- Ne nyúljon nedves/vizes kézzel a fagyasztott termékekhez, mert fagyégési sebeket, vagy bőrkárosodást szenvedhet.
- Ne tegye ki hosszabb ideig a készüléket közvetlen napfénynek.



Figyelem! Tűzveszély!

A mélyhűtő körfolyam meghibásodása esetén:

- Kerülje a nyílt láng használatát és a tűzforrásokat.
- Alaposan szellőztesse ki a helyiséget, amelyben a készülék található.



Figyelmeztetés! A készülék használatakor, karbantartásakor vagy ártalmatlanításakor figyeljen a készülék hátoldalán (a hátlapon vagy a kompresszoron) található, a bal oldalihoz hasonló sárga vagy narancssárga szimbólumra. Ez a tűzveszélyre figyelmeztető szimbólum. A hűtőközeg-vezetékben és a kompresszorban gyúlékony anyagok vannak jelen. A készüléket használat, karbantartás vagy ártalmatlanítás során tartsa távol a tűzforrásoktól.

Mindennapos használat

- A készülék műanyag összetevőire ne helyezzen forró tárgyakat.
- Ne helyezze az élelmiszereket közvetlenül a készülék belső hátsó falára.
- A kiolvasztott élelmiszereket ne fagyassza le újra.
- A fagyott élelmiszert az élelmiszergyártó utasításainak megfelelően előcsomagolva tárolja.
- Szigorúan tartsa be a készülék gyártójának a tárolásra vonatkozó ajánlásait. Tanulmányozza a tárolásra vonatkozó utasításokat.
- A mélyhűtőben ne tároljon szénsavas italokat, mivel ez nyomást gyakorol az edényre, amely elrobbanhat, és megrongálhatja a készüléket.
- A fagyasztott élelmiszerek fagyási sérülést okozhatnak, ha közvetlenül a mélyhűtőből kivéve fagyasztja.

Tisztítás és karbantartás

- A karbantartási műveletek előtt kapcsolja ki a készüléket és húzza ki az aljzatból a dugót.
- Ne tisztítsa a készüléket fémtárgyakkal.
- A jégnek a készülékről való eltávolításához ne használjon éles tárgyakat. Használjon műanyagkaparót. ¹⁾
- Rendszeresen ellenőrizze a készülék lefolyónyílását. Ha szükséges, tisztítsa meg a lefolyónyílást. Ha a lefolyónyílás eltömődik, a készülék aljában víz fog összegyűlni. ²⁾

1) Ha a készülék rendelkezik fagyasztótérrel.

2) Ha a készülék rendelkezik friss élelmiszerek tárolására szolgáló rekeszsel.

Üzembe helyezés

Fontos! Az elektromos áramhoz való csatlakoztatáskor kövesse gondosan az erre vonatkozó utasításokat.

- Csomagolja ki a készüléket, ellenőrizze, hogy nem sérült-e a szállítás során. Ha a készülék sérült, ne csatlakoztassa az áramforráshoz. Ha a készülék sérült, az esetleges sérüléseket jelentse azonnal a forgalmazónak, ahonnan a készüléket vásárolta. Ebben az esetben őrizze meg a csomagolást.
- Javasoljuk, hogy a készülék villamos hálózatra csatlakoztatása előtt várjon legalább négy órát, hogy az olaj folyjon vissza a kompresszorba.
- A készülék körül a levegőnek szabadon kell keringenie; szellőzés hiányában a készülék túlhevülhet. A megfelelő szellőzés érdekében tartsa be a szerelési utasításokat.
- Amennyiben lehetséges, a készülék távolságtartóit helyezze egy fal irányába, hogy elkerülje a meleg részek (kompresszor, kondenzátor) érintését, vagy megfogását, az égési sérülések megelőzése érdekében.
- A készüléket ne helyezze fűtőtestek vagy tűzhelyek közelébe.
- Győződjön meg, hogy a dugóhoz a készülék beszerelését követően is hozzá lehet férni.

Javítások


- A készülék javításával kapcsolatos elektromos munkákat minősített villanyszerelőnek vagy illetékes személynek kell elvégeznie.
- A készüléket engedélyezett szervizben kell javíttatni, és kizárólag eredeti pótalkatrészeket kell használni.

Energiatakarékosság

- Ne helyezzen a hűtőszekrénybe meleg élelmiszereket.
- Ne tárolja az élelmiszereket szorosan egymás mellett, mert ez megakadályozza a levegő áramlását.
- Győződjön meg, hogy az élelmiszerek nem érnek hozzá a rekesz/rekeszek hátsó falához;
- Áramkimaradás esetén ne nyissa ki az ajtót/ajtókat.
- Ne nyissa ki túl gyakran az ajtót/ajtókat.
- Ne tartsa nyitva az ajtót/ajtókat hosszabb ideig.
- Ne állítsa a készülék hőszabályozóját a szükségesnél alacsonyabb hőfokra.
- Az alacsony energiafogyasztás érdekében minden tartozékot, például a polcokat, fiókokat és az ajtópolcokat az előre meghatározott pozícióban kell elhelyezni.

Környezetvédelem és csomagolóanyagok

Ez a készülék sem a hűtőfolyadék-keringető rendszerben, sem a szigetelő anyagokban nem tartalmaz az ózonréteget károsító gázokat. A készüléket nem szabad a lakossági hulladékkal és szeméttel együtt kidobni. A szigetelőhab gyúlékony gázokat tartalmaz: a készüléket a helyi hatóságoktól beszerezhető vonatkozó rendelkezésekkel összhangban kell hulladékba helyezni. Vigyázzon, ne sérüljön meg a hűtőegység, különösen

hátul a hőcserélő környéke. A készüléken használt és  szimbólummal megjelölt anyagok újrahasznosíthatóak.

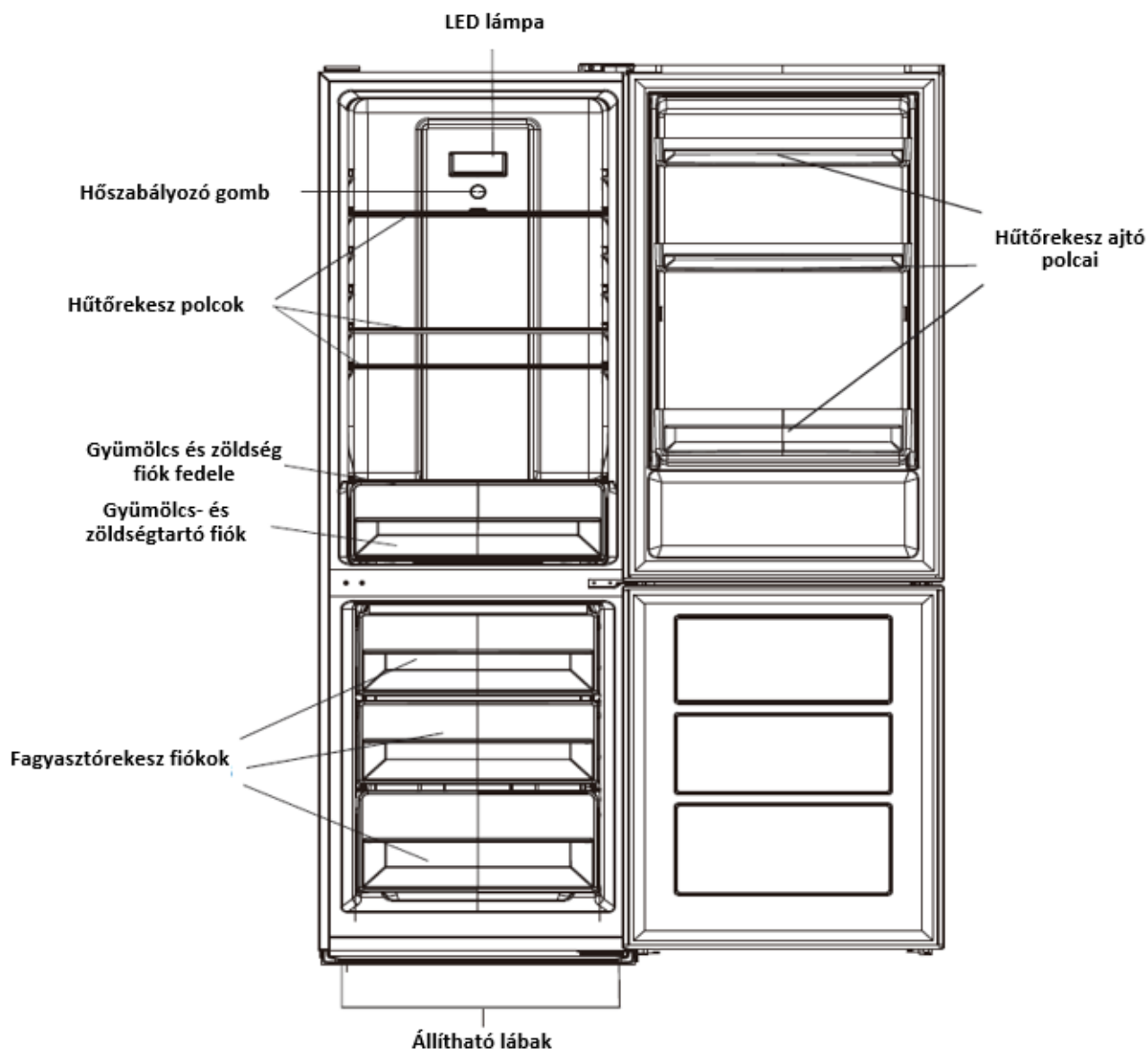
Ezzel a jelzéssel ellátott csomagolóanyagok újrahasznosíthatók.

A csomagolóanyagot dobja az újrahasznosításra kijelölt speciális konténerekbe.

A termék eltávolítása

- Húzza ki a készüléket a csatlakozóaljzatból.
- Vágja el a vezetéket, és dobja el.

4. A TERMÉK LEÍRÁSA



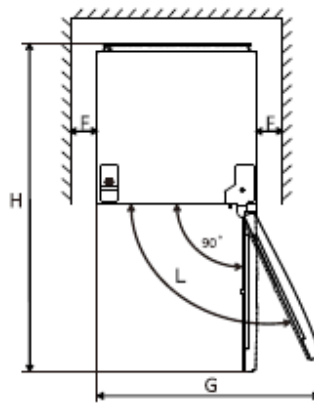
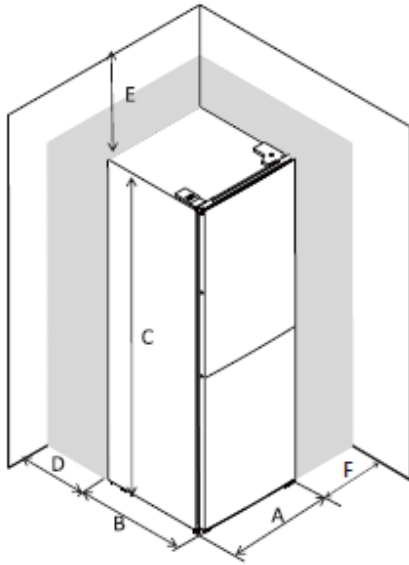
Annak érdekében, hogy ennek a terméknek minél nagyobb hatékonyságot biztosítson, kérjük, a polcokat és a fiókokat a fenti ábrán jelölt módon helyezze el.

Megjegyzés: A fenti ábra kizárólag tájékoztató jellegű. A valós termék különbözhet.

5. FELSZERELÉS

A térközre vonatkozó követelmények

- Olyan helyet válasszon, ahol a hűtőszekrényt nem érik direkt módon a nap sugarai.
- Olyan helyet válasszon, ahol a készülék ajtóit könnyen ki lehet nyitni.
- Helyezze készülékét egyenes helyre.
- Hagyjon elegendő helyet, hogy sík felületen legyen a készülék egésze.
- A készülék elhelyezésekor hagyjon helyet a készülék jobb és bal oldalán, hátsó felénél és a készülék fölött. Ezzel csökkentheti az elektromos energia fogyasztást.
- Hagyjon szabadon legkevesebb 50 mm helyet a készülék mindkét oldalán és a hátoldalon is.



A	600
B	600
C	1860
D	min=50
E	min=50
F	min=50
G	1200
H	1200
L	135°

Elhelyezés

Kérjük, helyezze a készüléket olyan helyre, ahol a környezeti hőmérséklet megfelel a készülék műszaki adatokat tartalmazó lapján található klímaosztálynak.

A valamely klímaosztályba tartozó hűtőkészülékek esetében:

- kiterjesztett mérsékelt övi: Ezt a hűtőkészüléket 10°C és 32°C közötti környezeti hőmérsékleten való használatra tervezték (SN);
- mérsékelt övi: Ezt a hűtőkészüléket 16°C és 32°C közötti környezeti hőmérsékleten való használatra tervezték (N);
- szubtrópusi övi: Ezt a hűtőkészüléket 16°C és 38°C közötti környezeti hőmérsékleten való használatra tervezték (ST);
- trópusi övi: „Ezt a hűtőkészüléket 16°C és 43°C közötti környezeti hőmérsékleten való használatra tervezték (T).

A beszerelés helye

A készüléket a hőforrásoktól, mint fűtőtestek, melegvíz-tároló és a közvetlen napfénytől távol kell elhelyezni. A jó teljesítmény biztosítása érdekében, amennyiben a készülék egy felfüggesztett bútordarab alá van elhelyezve, a készülék felső része és a bútor közötti távolságnak minimum 50 mm-nek kell lennie. Mindazonáltal, ideális körülmények között, kerülni kell a készülék felfüggesztett bútor alá helyezését. A pontos vízszintbe helyezést a készülék alján található, állítható lábak biztosítják.

Ez a hűtőszekrény nem használható beépített készülékként.

Figyelmeztetés! A beszerelt készüléknél az elektromos vezetéknek és a konnektornak könnyen hozzáférhetőnek kell lennie a beszerelést követően, a csatlakoztatás megszakítása érdekében.

Csatlakoztatás az áramforráshoz

A csatlakoztatás előtt győződjön meg, hogy az adatlapon szereplő áramfeszültség és frekvencia megfelel a házi áramellátásnak. A készüléket le kell földelni. Ennek céljából, a villásdugót ellátták egy érintkezővel. Amennyiben a házi áramellátás nem földeléses, külön földelés szükséges, az érvényes rendszabályoknak megfelelően, lépjen kapcsolatba egy szakképzett villanyszerelővel.

A gyártó nem vállal semmilyen felelősséget a termékkel kapcsolatban, amennyiben a fenti biztonsági intézkedések nincsenek betartva. Ez a készülék megfelel a CEE rendelkezésnek.

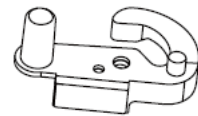
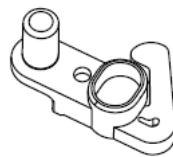
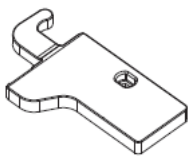
Az ajtó nyitási irányának megváltoztatása

Mielőtt hozzálát megváltoztatni az ajtó nyitási irányát, kérjük, készítse elő az alábbi eszközöket és alkatrészeket: lapos csavarhúzó, csillagcsavarhúzó, villás kulcs és a műanyag zacskóban található alkatrészek.

Bal oldali zsanérfedél x 1

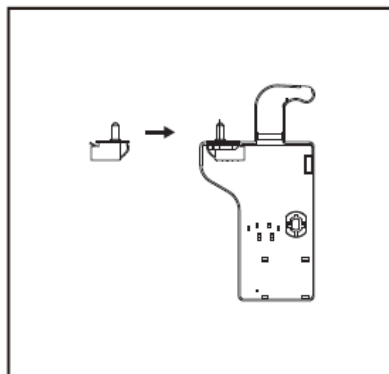
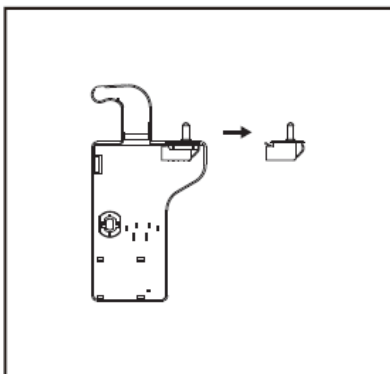
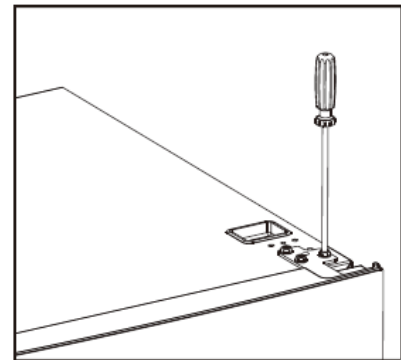
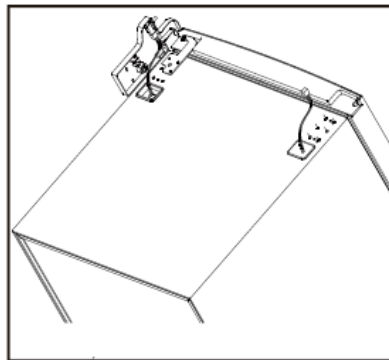
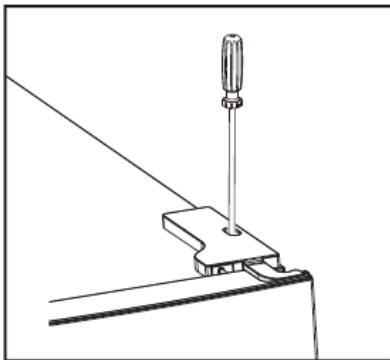
Bal oldali zsanér a felső ajtón x 1

Bal oldali zsanér az alsó ajtón x 1

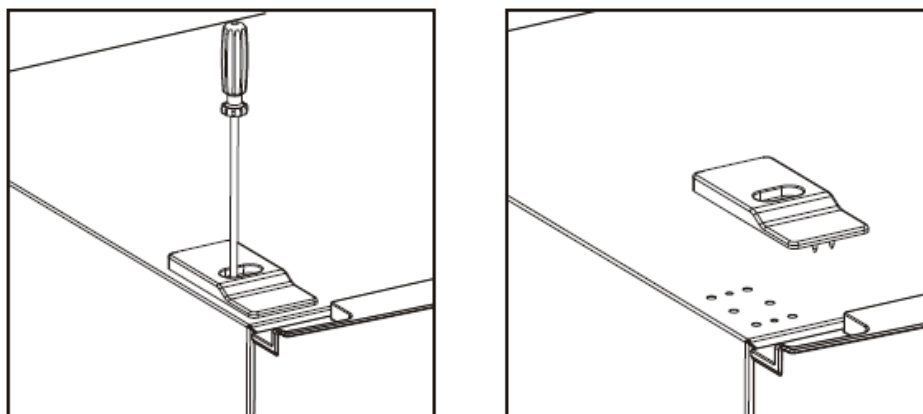


1. Csavarja le a felső zsanér fedelét, majd csavarja le a felső zsanért.

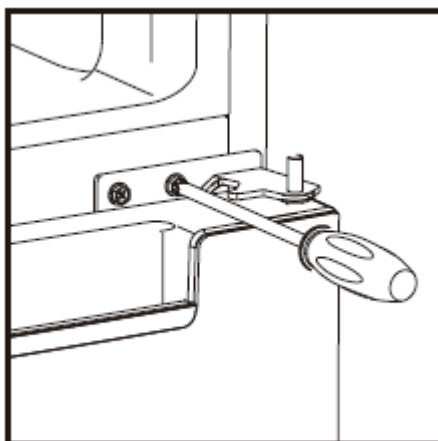
Emelje fel a felső ajtót, és helyezze puha felületre a karcolások és sérülések elkerülése érdekében.



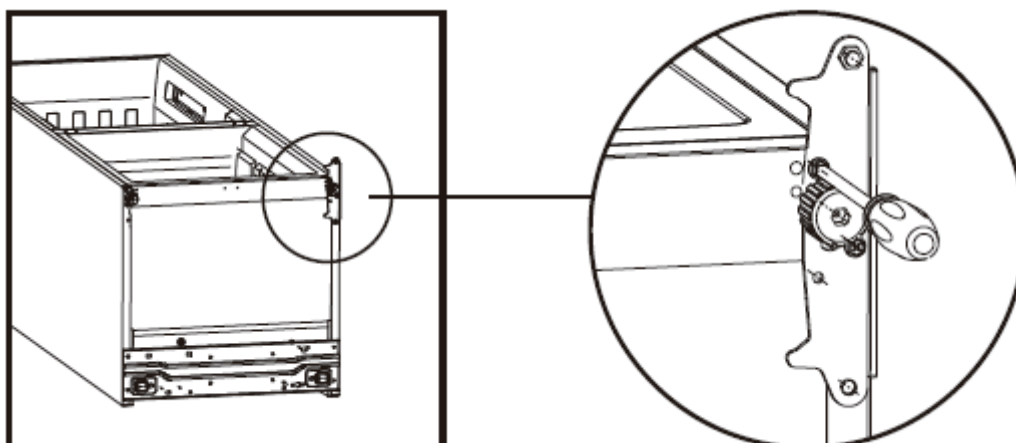
2. Vegye le a bal felső sarok borítóját.



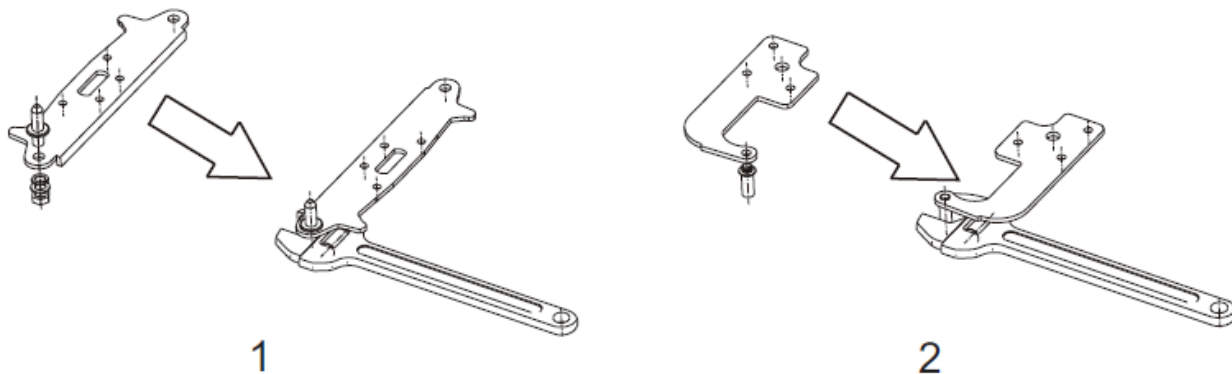
3. Vegye le a felső ajtót, csavarozza ki egy csillagcsavarhúzó segítségével a középső zsanér csavarját, majd vegye le az alsó ajtót is.



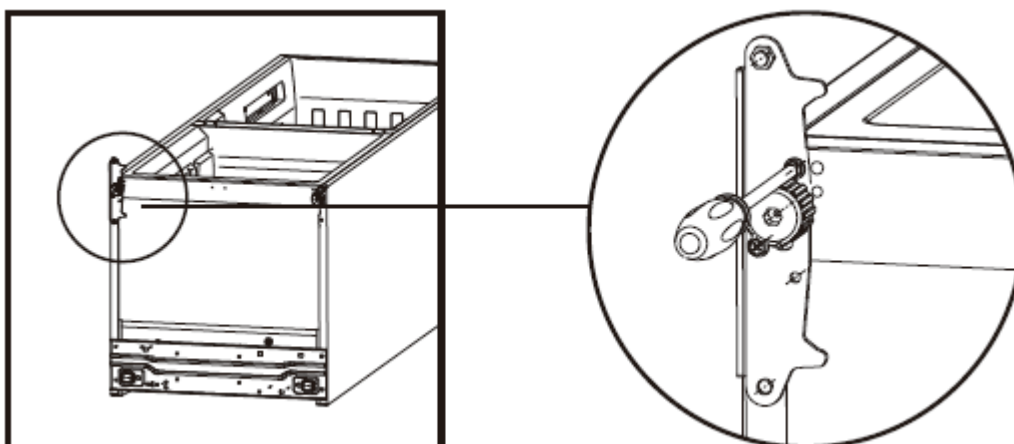
4. A készüléket helyezze a hátára, szerelje le az állítható lábakat az alábbi ábra szerint, majd egy csillagcsavarhúzó segítségével szerelje az alsó zsanért.



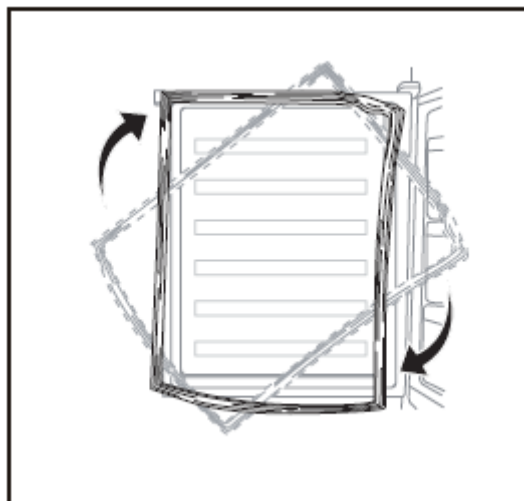
5. Az alsó és a felső zsanér tengelyét rögzítse ellenkező pozícióban.



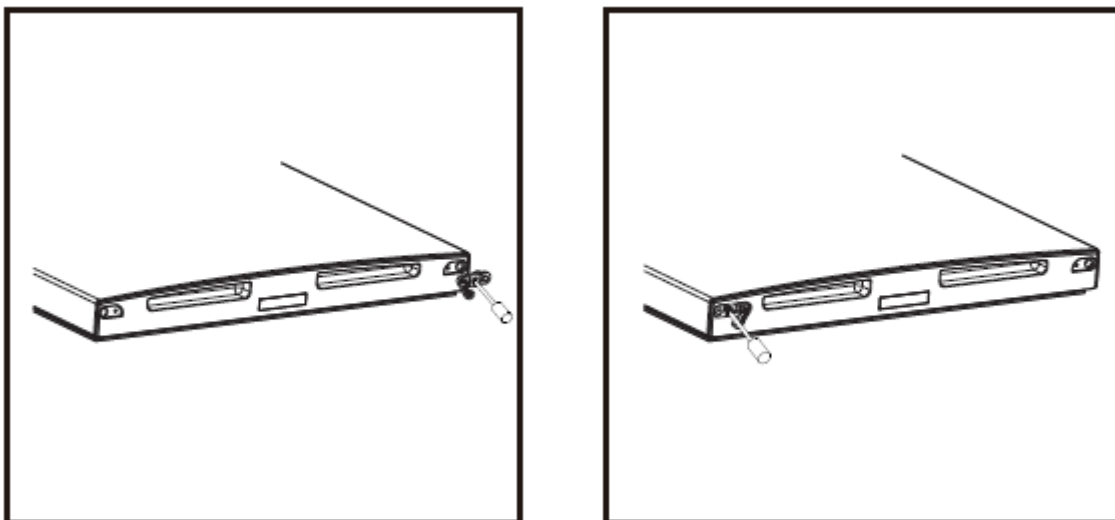
6. Szerelje fel az alsó zsanért a készülék alsó felére becsavarozva az állítható lábakat, győződjön meg, hogy vízszintes pozícióban van.



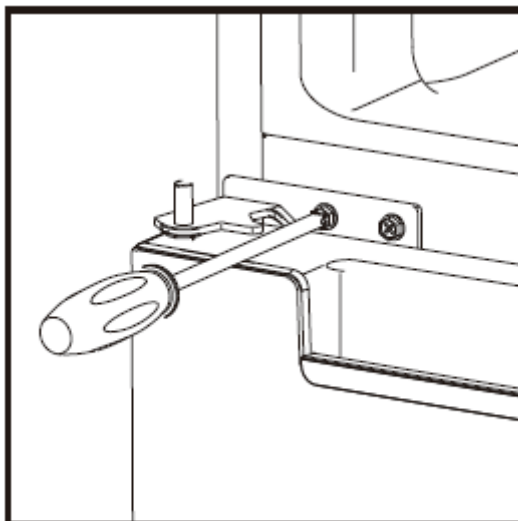
7. Vegye le a hűtőrekesz ajtó tömítését és a fagyasztórekesz ajtó tömítését, majd megfordítás után rögzítse őket.



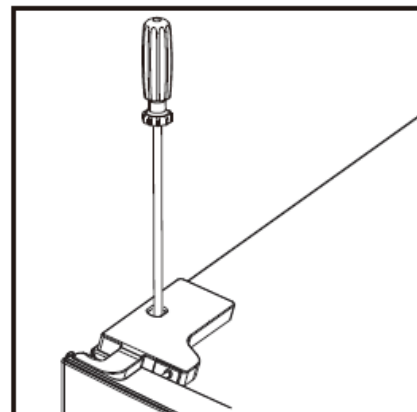
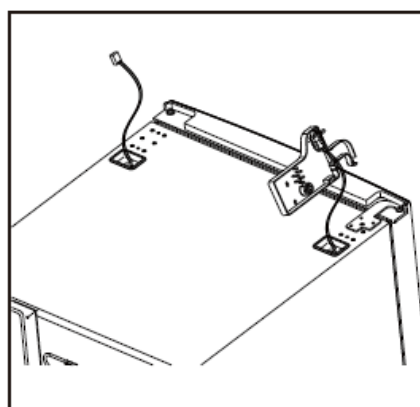
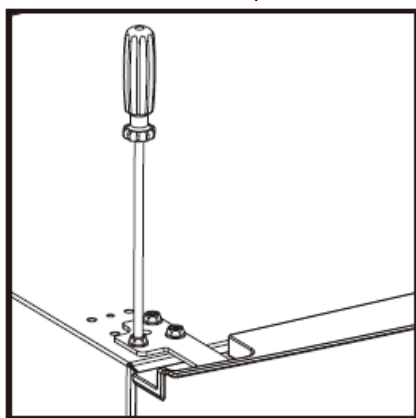
8. Oldja ki az eredeti zsanérokat a felső és az alsó ajtón, majd szerelje fel a zsanérokat a kiegészítőket tartalmazó zacskóból (amely a használati utasításokat is tartalmazza) az ellenkező oldalra.



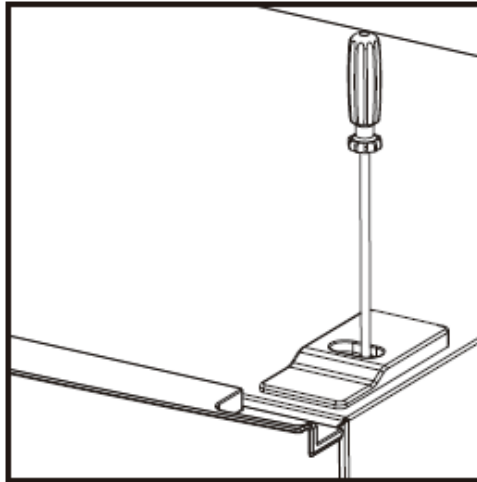
9. Tegye a helyére az alsó ajtót, majd állítsa be és rögzítse a középső zsanért a hűtőszekrény vázára.



10. A felső ajtót helyezze vissza. A felső tartópánt megszorítása előtt bizonyosodjon meg arról, hogy az ajtó vízszintes és függőleges irányban egyenesen áll, illetve a betétek jól állnak. Csatlakoztassa a felső zsanért a gép tetejéhez, majd csavarral rögzítse a zsanérfedelelet (a kiegészítőket tartalmazó zacskóból).

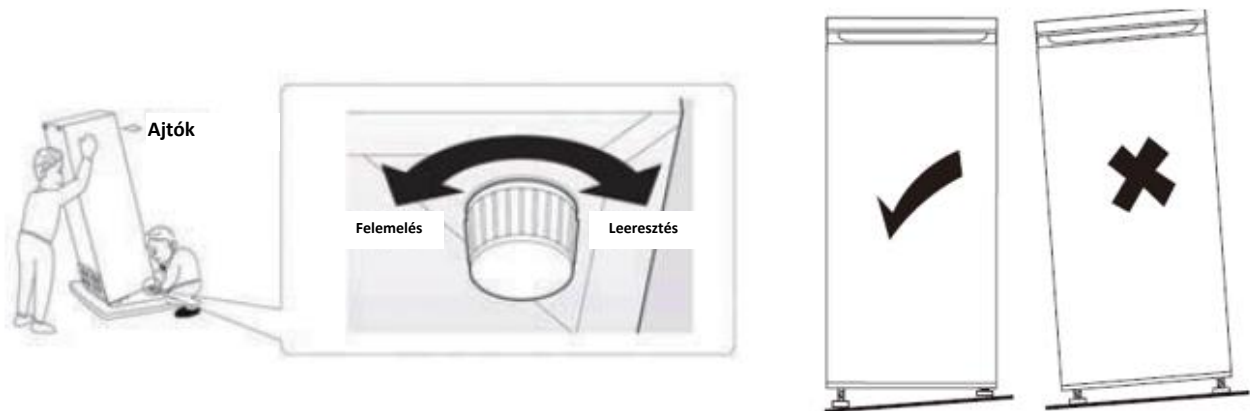


11. Rögzítse a maszkoló kupakot.



A készülék kiegyensúlyozása

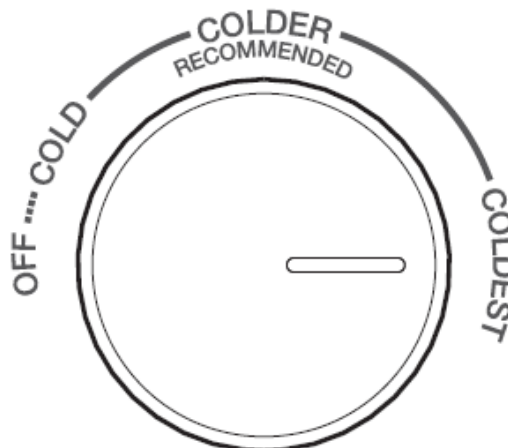
A készülék kiegyensúlyozásához, használja a készülék első felén található állítható lábakat. Ha a készülék nincs kiegyensúlyozva, az ajtó és a mágneses tömítés nem fognak megfelelően illeszkedni.



6. VEZÉRLŐPANEL

Hűtőrekesz hőmérsékletének beállítása

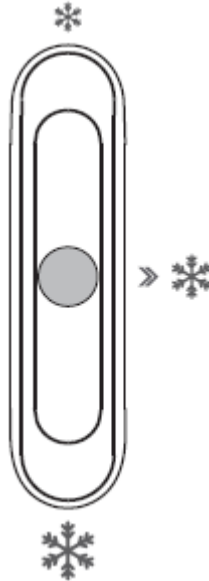
Gomb a hűtőtér hőmérsékletének beállítására.



- A hűtőtérben lévő gomb a hűtőtér hőmérsékletének beállítására szolgál.
- A belső hőmérsékletet érzékelő ellenőrzi. 4 beállítás elérhető: OFF, COLD, COLDER és COLDEST. A COLD a legnagyobb, a COLDEST pedig a legalacsonyabb hőmérsékleti beállítás.
- Ha nagyon meleg környezetbe helyezi a készüléket, vagy gyakran nyitogatja az ajtóját, megtörténhet, hogy nem működik a megfelelő hőmérsékleten.
- Ha a beállítás "OFF", a hűtőrekesz és a fagyasztórekesz nem működik.

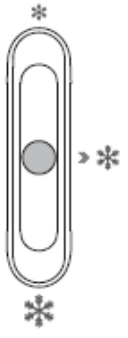
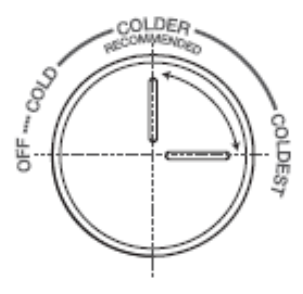
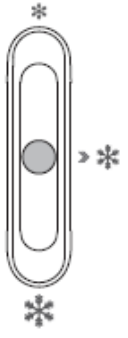
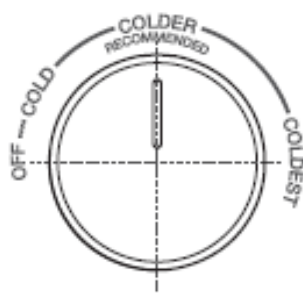
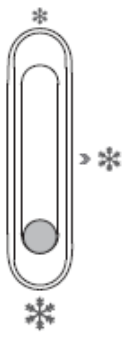
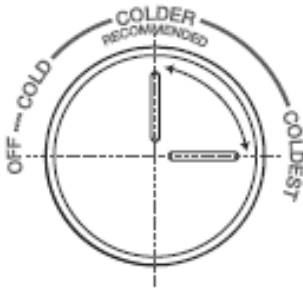
A fagyasztórekesz hőmérsékletének beállítása

Csúsztatható gomb a fagyasztórekesz hőmérsékletének beállításához.



- A hűtőtérben lévő csúszógomb a fagyasztórekesz hőmérsékletének beállítására szolgál.
- Amikor a csúszógomb a ❄️ pozícióban van, a fagyasztótérben magasabb a hőmérséklet. Amikor a csúszógomb a ❄️ pozícióban van, a fagyasztótérben alacsonyabb a hőmérséklet.
- A csúszógomb ❄️ középen lévő pozíciója az ajánlott pozíció normál használat esetén.
- A fagyasztórekesz legalacsonyabb hőmérsékletének eléréséhez állítsa a forgatógombot a "COLDEST" állásba, és állítsa a csúszógombot a ❄️ pozícióba.

Hőmérséklet-beállítási javaslatok

Hőmérséklet-beállítási javaslatok			
Környezeti hőmérséklet	Fagyasztórekesz		Hűtörekesz
Nyáron (30 °C felett)		Állítás *	 Állítsa a gombot a "colder" ~ "coldest"
Normál		Állítás *	 Állítsa a gombot a "colder" állásba
Télen (16°C alatt)		Állítás *	 Állítsa a gombot a "colder" ~ "coldest"

- A fenti információk a hőmérséklet beállítására vonatkozó javaslatokat nyújtanak a felhasználók számára.
- Télen vagy 16 °C alatti hőmérsékleten ajánlott beállítani * és „Cold” pozíciókat.
- Az energiatakarékosság érdekében a ❄️ és „Coldest” pozícióba történő beállítás csak különleges esetekben ajánlott (gyors fagyasztás vagy jég előállítás esetén).

Megjegyzés: A magas hőmérsékletre való beállítás felgyorsíthatja az élelmiszerek romlását.

7. MINDENNAPOS HASZNÁLAT

Első használat

A készülék belsejének tisztítása

Mielőtt először használná, törölje le a készülék belsejét és minden belső tartozékát langyos vízzel és semleges tisztítószerrel, hogy elűzhesse az új termékekre jellemző szagot, majd jól szárítsa ki a készüléket.

Fontos! Ne használjon maró hatású vegyszereket, mert ezek károsítják a készülék felületeit.

Mindennapos használat

Az eltérő típusú élelmiszereket helyezze a különböző reteszekbe, az alábbi táblázatban feltüntetett módon:

A hűtőszekrény rekeszei	Élelmiszer típusok
A mélyhűtő retesz ajtó rácsai	Természetes tartósítószeret tartalmazó élelmiszerek, valamint dzsemek, szörpök, italok, fűszerek. Ne tároljon hamar romlandó ételeket.
Zöldség és gyümölcs tárolására szolgáló fiók (saláta tároló fiók)	A gyümölcsöket, fűszernövényeket és zöldségeket helyezze külön a zöldség és gyümölcs tároló fiókba. Ne tároljon a hűtőben banánt, hagymát, krumplit vagy fokhagymát.
A hűtőszekrény középső fiókja	Tejtermékek, tojás
A hűtőszekrény felső fiókja	Főzést nem igénylő élelmiszerek, fogyasztásra kész ételek, felvágottak, megmaradt étel.
Fagyasztó fiók(ok)/polc	A hosszú ideig tárolható élelmiszerek részére. Alsó fiók/polc - nyers hús, baromfi hús, hal részére. Középső fiók/polc - mélyhűtött zöldségek és mélyhűtött krumpli részére. Felső fiók/polc - fagylalt, mélyhűtött gyümölcsök, mélyhűtött péktermékek részére.

A friss élelem fagyasztása

- A fagyasztó alkalmas a friss élelmek lefagyasztására és a fagyasztott élelmek hosszú távú tárolására.
- Helyezze a friss élelmiszereket a berendezés fagyasztófülkéjébe.
- A 24 óra alatt lefagyasztható maximális mennyiség megtalálható a technikai adatokat tartalmazó címkén.
- A fagyasztási eljárás 24 órát vesz igénybe; ebben az időintervallumban ne adjon hozzá újabb élelmiszereket fagyasztás céljából.

A fagyasztott élelem tartósítása

Az első indítás alkalmával vagy ha egy ideig a készülék használaton kívül volt, kapcsolja be, majd hagyja a leghidegebb hőmérsékletre állítva legalább 2 órát működni, anélkül hogy élelmiszereket tenne bele.

Fontos! Ha valamilyen probléma miatt kiolvadnak a készülékben levő élelmiszerek, például áramszünet miatt, ha az áramszünet hosszabb volt mint a technikai adatokat tartalmazó táblázatban megjelölt idő, a kiolvadt élelmiszert gyorsan el kell fogyasztani vagy főzéshez azonnal fel kell használni majd ezt követően újrafagyasztani (a főtt ételt).

Kiolvasztás

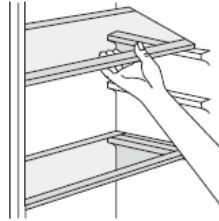
Felhasználásuk előtt az élelmiszereket kiolvaszthatjuk a hűtő részben vagy szobahőmérsékleten annak függvényében, hogy mennyi idővel rendelkezünk ehhez a művelethez.

A kis darabokat fagyasztott állapotban is főzhetjük, úgy ahogyan kivettük a fagyasztóból. Ebben az esetben a főzés ideje hosszabb lesz.

Tartozékok

Elmozdítható rácsok

A hűtőszekrény falai tartó csúszóvezetékekkel vannak ellátva annak érdekében, hogy a polcokat igényei szerint helyezhesse el.



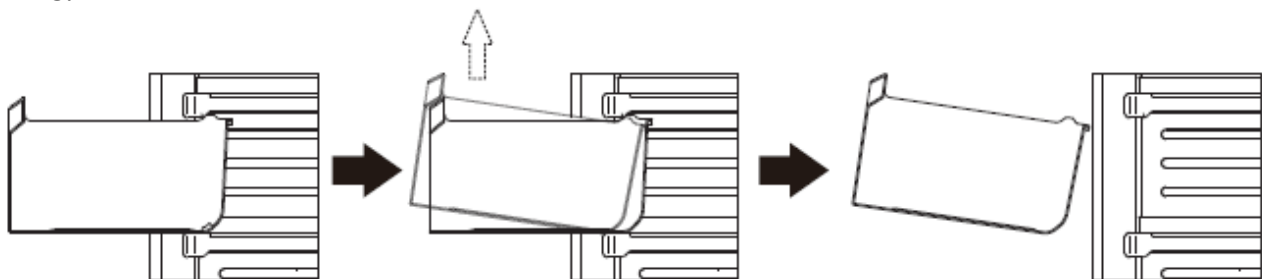
Az ajtón lévő polcok elhelyezése

Az ajtón lévő polcok a tisztítás érdekében elmozdíthatók. A polcok elmozdításához az alábbi módon járjon el: húzza óvatosan a rácsokat a nyílak irányába mindaddig, amíg eltávolíthatja azokat, mossa meg, majd igényei szerint helyezze vissza.



Az alsó fiók levétele

1. Húzza az alsó fiókot az ütközőig.
2. Emelje fel a fiók elejét.
3. Vegye ki az alsó fiókot.



8. ÉLELMISZEREK TÁROLÁSA

Javaslatok a mélyhűtéshez

A lehető leghatékonyabb fagyasztás érdekében, íme néhány fontos tanács:

- a 24 óra alatt lefagyasztható maximális mennyiség megtalálható a technikai adatokat tartalmazó címkén;
- a fagyasztási eljárás ideje: 24 óra. Ebben az időintervallumban nem adhatunk hozzá a fagyasztó részhez újabb élelmiszereket;
- csakis jó minőségű, friss és tiszta élelmiszereket fagyasszon;
- készítsen elő kis adagú élelmeket, melyek gyorsan és teljes mértékben lefagyaszthatóak, így később könnyebb a szükséges mennyiséget kiolvasztani;
- az élelmiszereket csomagolja be alumínium vagy polietilén fóliába és győződjön meg róla, hogy jól be lettek csomagolva;

- győződjön meg, hogy a friss, nem fagyasztott élelmiszerek nem érintkeznek a már mélyfagyasztott élelmiszerekkel, így elkerülheti ez utóbbi hőmérsékletének növekedését;
- a zsíradék nélküli élelmiszerek hosszabb ideig, jobban tartósíthatóak; a só csökkenti az élelmiszerek tartósíthatósági időszakát;
- a jégkrémet ha a mélyhűtőből való kivételt követően azonnal elfogyasztjuk, a bőr sérüléséhez és fagyási sérülésekhez vezethet;
- ajánljuk, hogy minden csomagon tüntesse fel a lefagyasztás dátumát, így pontosan fogja tudni, hogy mennyi ideje van lefagyasztva az adott élelmiszer.
- ajánljuk, hogy minden csomagon tüntesse fel a lefagyasztás dátumát, így pontosan fogja tudni, hogy mennyi ideje van lefagyasztva az adott élelmiszer.

Ajánlatok a fagyasztott élelmiszerek tárolására vonatkozóan

A készülék optimális működése érdekében a következőket javasoljuk:

- győződjön meg, hogy a kereskedelemben található fagyasztott élelmiszerek helyesen voltak tárolva az üzletben;
- gondoskodjon arról, hogy a fagyasztott élelmiszerek az üzletből a lehető legrövidebb idő alatt a hűtőládaiba kerüljenek;
- ne nyissa ki gyakran a hűtőláda ajtaját, ne hagyja nyitva a szükségesnél hosszabb ideig;

a kiolvasztott élelmiszerek gyorsan romlanak, és nem fagyaszthatók újra;
ne haladja meg az élelmiszergyártó által megjelölt tárolási időszakot.

Ajánlatok a friss élelmiszerek hűtött tárolásához

Az optimális teljesítmény érdekében:

- Ne helyezzen be a készülékbe meleg ételt vagy párolgó folyadékot.
- Földje be vagy csomagolja be az ételeket, élelmiszereket, különösen abban az esetben, ha ezek erős szagot árasztanak.

Javaslatok a hűtéshez

- A húst (bármely fajtát) polietilén fóliába csomagoljuk és a zöldségek és gyümölcsök részére kialakított fiók fölötti üvegpolcra helyezzük.
- A biztonság érdekében, ilyen módon legfeljebb egy vagy két napig tárolja így a húst.
- A főtt ételek, a felvágottak stb.: ezeket le kell takarni és bármely polcon elhelyezni.
- Gyümölcsök és zöldségek: ezeket jól meg kell pucolni és elhelyezni az ezeknek szánt fiókokba.
- Vaj és sajtfélék: ezeket speciális tárolóedénybe kell helyezni, melyek hermetikusan zárnak vagy legalább alumínium vagy polietilén fóliába tekerni a lehető legszorosabban.
- Tej: jól záró üvegben, a hűtőszekrény ajtójában levő polcon kell tárolni.
- Ha nincsenek becsomagolva, a banánt, a krumplit, a hagymát és a fokhagymát ne tárolja a hűtőszekrényben.

Annak érdekében, hogy az élelmiszerek ne romoljanak meg, tartsa be az alábbi utasításokat:

- Ha a készülék ajtója huzamos ideig nyitva van, akkor a készülék rekeszeiben a hőmérséklet jelentősen megnő.
- Tisztítsa rendszeresen azokat a felületeket, amelyekkel az élelmiszerek érintkezhetnek, valamint a készülék lefolyó rendszerét is.
- A nyers húst valamint a friss halat tárolja megfelelő edényekben, hogy ne érintkezzen más élelmiszerekkel.
- A két csillaggal jelölt fagyasztó a gyorsfagyasztott élelmiszerek tárolására, fagylalt készítésére vagy tárolására és jégkocka készítésére alkalmas.
- Az egy, két és három csillagos fagyasztó a friss ételek fagyasztására nem alkalmas.

Megjegyzés: Kérjük, tárolja az élelmiszereket a nekik megfelelő rekeszekben és a nekik megfelelő hőmérsékleten.

- Ha a fagyasztó készülék hosszú ideig üres, kapcsolja ki, takarítsa ki, törölje ki jól és hagyja az ajtóját nyitva, hogy megelőzze a penész keletkezését a készülék belsejében.

Sorszám:	Fagyasztó rész típusa:	Javasolt tárolási hőmérséklet [°C]	Élelmiszer
1	Hűtés	+2≤+6	Tojás, főtt ételek, csomagolt élelmiszer, gyümölcs és zöldség, tejtermék, a sütemények és italok fagyasztása nem megengedett.
2	(***)*-Fagyasztás	≤-18	A tenger gyümölcsei, hal, garnélarák, rákfélék, akvakultúra-termékek és a húsfélék fagyasztása javasolt (javasolt tárolási idő 3 hónap, a tárolási idő növekedésével fokozatosan veszítenek az ízükből és tápértékükből.)
3	***-Fagyasztás	≤-18	A tenger gyümölcsei, hal, garnélarák, rákfélék, akvakultúra-termékek és a húsfélék fagyasztása nem javasolt (javasolt tárolási idő 3 hónap, a tárolási idő növekedésével fokozatosan veszítenek az ízükből és tápértékükből.)
4	** -Fagyasztás	≤-12	A tenger gyümölcsei, hal, garnélarák, rákfélék, akvakultúra-termékek és a húsfélék fagyasztása nem javasolt (javasolt tárolási idő 2 hónap, a tárolási idő növekedésével fokozatosan veszítenek az ízükből és tápértékükből.)
5	*-Fagyasztás	≤-6	A tenger gyümölcsei, hal, garnélarák, rákfélék, akvakultúra-termékek és a húsfélék fagyasztása nem javasolt (javasolt tárolási idő 1 hónap, a tárolási idő növekedésével fokozatosan veszítenek az ízükből és tápértékükből.)
6	Csillag nélkül	-6≤0	Friss disznó-, borjú- és csirkehús, friss hal, különböző feldolgozott és csomagolt élelmiszerek stb. (javasolt azon a napon elfogyasztani, illetve legkésőbb három napon belül.) Feldolgozott élelmiszerek, részben csomagolva (nem fagyasztható élelmiszerek)
7	Hűtés	-2≤+3	Friss/fagyasztott disznó, borjú, csirke hús, akvakultúra-termékek, stb. (ezeket az élelmiszereket legtöbb 7 napot lehet tárolni 0°C alatti hőmérsékleten; 0 °C fölötti hőmérsékleten való tárolás esetén javasolt még aznap de legtöbb 2 napon belül elfogyasztani.) Tenger gyümölcsei (ezeket az élelmiszereket 15 napot lehet tárolni 0°C alatti hőmérsékleten, ezek tárolását nem javasolják 0°C fölött.)
8	Friss élelmiszerek	0≤+4	A friss disznó-, borjú-, csirkehús, főtt étel stb. (javasolt ugyanazon a napon vagy legkésőbb 3 napon belül elfogyasztani)
9	Bor	+5≤+20	vörös bor, fehér bor, pezsgőbor stb.

9. TISZTÍTÁS ÉS KIOLVASZTÁS

Tisztítás

Higiéniiai okokból a készülék belsejét, ideértve a tartozékokat is, rendszeresen tisztítani kell.

Figyelem! A készüléket húzza ki az elektromos hálózatról a tisztítás idejére. Áramütés veszély! Tisztítás előtt kapcsolja ki a készüléket, és húzza ki a konnektorból, vagy szakítsa meg az áramellátást vezérlő gombtól, illetve a főbiztosítéktól. A tisztításhoz soha ne használjon gőzkeltő készüléket. A nedvesség lerakódhat az elektromos összetevőkben. A meleg gőz megrongálhatja a műanyag részeket. Üzembe visszahelyezés előtt, győződjön meg, hogy a készülék teljesen kiszáradt.

Fontos! Az éterolajak és a szerves oldószerek, mint például a citromlé vagy a narancshéj leve, a vajsav, az ecetsavat tartalmazó tisztítószer, megrongálhatja a műanyag részeket.

- Ne hagyja, hogy ilyen anyagok a készülék komponenseivel érintkezzenek.
- Ne használjon dörzshatású tisztítószerket.
- Vegye ki az élelmiszereket. Helyezze hűvös helyre, jól letakarva.
- Kapcsolja ki a készüléket, és húzza ki a konnektorból, vagy szakítsa meg az áramellátást vezérlő gombtól, illetve a főbiztosítéktól.
- A készüléket és a belső részeket mossa le egy törülközővel, langyos vízzel. Tisztítás után öblítse le tiszta vízzel és törölje szárazra egy száraz törülközővel.
- Miután minden összetevő teljesen kiszáradt, helyezze ismét működésbe a készüléket.

Kiolvasztás

The refrigerator works on the air-cooled principle, so it has an automatic defrost function.

10. A HIBÁK MEGOLDÁSA

Az izzó cseréje

A hűtőszekrény belső lámpája LED rendszerű. Ennek cseréje érdekében forduljon szakképzett személyhez.

Figyelem! Hibaelhárítás előtt húzza ki a készüléket a villamos hálózatról. Azokat a hibákat, amelyek nem szerepelnek ebben a kézikönyvben, kizárólag szakosított villanyszerelő, vagy illetékes személy háríthatja el.

Fontos! A szokványos használat alatt hallatszik néhány zaj (kompresszor, a hűtőfolyadék áramlása).

Probléma	Esetleges ok	Megoldás
A készülék nem működik	A hőmérsékletet szabályozó állítógomb a „Coldest” állásban maradt.	A berendezés működtetése érdekében csavarja el a gombot egy másik állásba.
	A dugasz nincs megfelelő módon csatlakoztatva a fali csatlakozóaljzathoz.	Csatlakoztassa a gépet az áramforráshoz.
	A biztosíték kiégett vagy meghibásodott.	Ellenőrizze a biztosítékot. Szükség esetén cserélje ki.
	A dugasz meghibásodott.	A villamossági rendszer meghibásodásait kizárólag szakképzett villanyszerelővel javíttassa meg.
A berendezés túlzottan hűt vagy fagyaszt.	A beállított hőmérséklet túl alacsony vagy a készülék a „Coldest” üzemmódban működik.	Tekerje a hőszabályzó gombot magasabb hőfokra.
Az élelmiszereket nem fagyasztja le megfelelően.	A hőmérséklet értéke nem megfelelő.	Olvassa el a hőmérséklet szabályozását leíró részt.

	Az ajtó túlságosan hosszú ideig maradt nyitva.	Ne tartsa nyitva az ajtót a szükségesnél hosszabb ideig.
	Az elmúlt 24 órában nagy mennyiségű meleg ételmeiszer került be a hűtőszekrénybe.	Ideiglenesen csavarja el a hőmérsékletállító gombot egy magasabb állásba.
	A berendezés egy hőforráshoz közel helyezkedik el.	Kérjük, olvassa el a berendezés elhelyezésére vonatkozó részeket.
Sok jég alakult ki az ajtó tömítésén is.	Az ajtó tömítése nem zár megfelelően.	Melegítse gondosan az ajtó tömítés érintetlen részeit hajszárítóval (hűvösre állítva). Ugyanakkor kézzel modellálja az ajtó tömítést oly módon, hogy az jól elhelyezkedjen.
Szokatlan zajok	A készülék nem áll stabilan.	Állítsa be a készülék lábait.
	A készülék a fallal vagy egyéb tárgyakkal érintkezik.	Mozdítsa el kicsit a berendezést.
	Egy adott alkatrész (például a készülék egyik csöve) a falhoz vagy egy másik alkatrészhez ér hozzá.	Amennyiben szükséges, óvatosan hajlítsa meg az alkatrészt, hogy az semmihez se érhesen hozzá.
Víz folyik ki a padlóra.	Elzárult a kifolyó.	Tanulmányozza a takarításra vonatkozó részt.
A berendezés oldalfalai forróak.	Ez normális. A hőcserélő alkatrészei a készülék oldalán találhatóak.	Ha szükséges, használjon védőkesztyűt.

Ha a hiba ismét jelentkezik, forduljon a szervizközponthoz.

SZERVIZ ÉS ÜGYFÉLSZOLGÁLAT

Kizárólag eredeti cserealkatrészeket használjon.

Mielőtt felvenné a kapcsolatot az engedélyezett szakszervizünkkel, győződjön meg róla, hogy a következő adatok a rendelkezésére állnak: Modell megnevezése és sorozatszám

Ezeket az adatokat a készülék műszaki adattábláján találja. Ezek az adatok előzetes értesítés nélkül is megváltoztathatók.

MŰSZAKI ADATOK

A termék műszaki adatai a készülék műszaki adattábláján és az energiacímkéjén vannak feltüntetve.

A hűtőszekrény energiacímkéjén található QR-kód egy internetes linket biztosít a készülék teljesítményével kapcsolatos információkhoz, melyek az EPREL adatbázisban találhatóak.

Utólagos tanulmányozás céljából, őrizze meg az energiacímkét a használati útmutatóval valamint a készülék egyéb dokumentumaival együtt.

Úgyszintén, ezeket az információkat az EPREL adatbázisban is megtalálja. Ennek érdekében használja a következő linket: <https://eprel.ec.europa.eu> és adja meg a termék megnevezését és sorozatszámát, amelyeket a készülék műszaki adattábláján talál.

A termékével kapcsolatos információk eléréséhez az EPREL portálon beolvashatja az alábbi kódokat:



Köszönjük, hogy termékünket választotta! Ha termékével kapcsolatosan további információkra van szüksége, keresse fel honlapunkat az alábbi linkeket használva:

A használati útmutatókat innen töltheti le: <https://www.heinner.ro>

A javításokra vonatkozó adatokat itt találja: <https://www.heinner.ro>



A hulladékok környezetfelelős eltávolítása

Segíthet a környezet védelmében!

Kérjük, tartsa be a helyi rendelkezéseket: a nem működő elektromos berendezéseket a használt elektromos hulladékokat gyűjtő központba szolgáltatassa be.



A HEINNER a **Network One Distribution SRL(KFT)** társaság által bejegyzett védjegy. A többi márkajelzés és a termékek megnevezése kereskedelmi vagy az illető birtoklók által bejegyzett márkanevek.

A műszaki leírások egyik része sem reprodukálható semmilyen formában és semmilyen módon, és nem használható fel fordításra, átváltoztatásra vagy alkalmazásra a NETWORK ONE DISTRIBUTION társaság előzetes beleegyezése nélkül.

Copyright © 2013 Network One Distribution. Minden jog fenntartva.

www.heinner.com, <http://www.nod.ro>

<http://www.heinner.com>, <http://www.nod.ro>



A terméket az Európai Közösség előírásainak és jogszabályainak megfelelően tervezték és gyártották.



Importator: **Network One Distribution**

Str. Marcel Iancu, nr. 3-5, București, România

Tel: +40 21 211 18 56, www.heinner.com, www.nod.ro