

HEINNER

REFRIGERATOR

Model:

HF-HS94E++/HF-HS94SE++



www.heinner.ro

- Refrigerator
- Energy class: E
- Total capacity: 94 L

Thank you for choosing this product!

I. INTRODUCTION

Please read the instructions carefully and keep the manual for future information.

This manual is designed to give all necessary instructions concerning installation, use and maintenance of the unit. In order to operate the unit correctly and safely, please read this instruction manual carefully before installation and use.

II. YOUR PACKAGE CONTAINS



- **Refrigerator**
- **User manual**
- **Certificate of warranty**

III. SAFETY INFORMATION

For your safety and correct usage, before installing and first using the appliance, read this user manual carefully, including its hints and warnings. To avoid unnecessary mistakes and accidents, it is important to make sure that all people using the appliance are thoroughly familiar with its operation and safety features. Save these instructions and be sure that they remain with the appliance if it is moved or sold, so that anyone using it throughout its life, will be properly informed on its usage and safety notices.

For the safety of life and property, keep the precautions of these user's instructions as the manufacturer is not responsible for damages caused by omission.

Safety for children and others who are vulnerable people

- According to EN standard: This appliance can be used by children aged from 8 years and above and persons with reduced physical, sensory or mental capabilities or lack of experience and knowledge if they have been given supervision or instruction concerning use of the appliance in a safe way and understand the hazards involved. Children shall not play with the appliance. Cleaning and user maintenance shall not be made by children without supervision.
- Children aged from 3 to 8 years are allowed to load and unload refrigerating appliances.
- According to IEC standard: This appliance is not intended for use by persons (including children) with reduced physical, sensory or mental capabilities, or lack of experience and knowledge, unless they have been given supervision or instruction concerning use of the appliance by a person responsible for their safety.
- Children should be supervised to ensure that they do not play with the appliance.
- Keep all packaging away from children as there is risk of suffocation.
- If you are discarding the appliance, pull the plug out of the socket, cut the connection cable (as close to the appliance as you can) and remove the door to prevent children playing from suffering an electric shock or from closing themselves inside it.
- If this appliance, featuring a magnetic door seals, is to replace an older appliance having a spring lock (latch) on the door or lid, be sure to make the spring lock unusable before you discard the old appliance. This will prevent it from becoming a death trap for a child.

General safety

WARNING! This appliance is intended to be used in household and similar applications such as:

- staff kitchen areas in shops, offices and other working environments;
- farm houses and by clients in hotels, motels and other residential type environments;
- bed and breakfast type environments;
- catering and similar non-retail applications;

WARNING! Do not store explosive substances such as aerosol cans with a flammable propellant in this appliance.

WARNING! If the supply cord is damaged, it must be replaced by the manufacturer, its service agent or similarly qualified persons in order to avoid a hazard.

WARNING! Keep ventilation openings, in the appliance enclosure or in the built-in structure, clear of obstruction.

WARNING! Do not use mechanical devices or other means to accelerate the defrosting process, other than those recommended by the manufacturer.

WARNING! Do not damage the refrigerant circuit.


WARNING! Do not use electrical appliances inside the food storage compartments of the appliance, unless they are of the type recommended by the manufacturer.

WARNING! The refrigerant and insulation blowing gas are flammable. When disposing of the appliance, do so only at an authorized waste disposal centre. Do not expose to flame.

WARNING! When positioning the appliance, ensure the supply cord is not trapped or damaged.

WARNING! Do not locate multiple portable socket-outlets or portable power supplies at the rear of the appliance.

WARNING! Food needs to be packed in bags before putting into the refrigerator, and liquids need to be packed in bottles or capped containers to avoid the problem that the product design structure is not easy to clean.

The symbol  is a warning and indicates the refrigerant and insulation blowing gas are flammable.



WARNING! Risk of fire

If the refrigerant circuit should be damaged:

- Avoid opening flames and sources of ignition.
- Thoroughly ventilate the room in which the appliance is situated.

Replacing the illuminating lamps

WARNING - The illuminating lamps must not be replaced by the user! If the illuminating lamps is damaged, contact the customer helpline for assistance. This warning is only for refrigerators that contain illuminating lamps.

Refrigerant

The refrigerant isobutene (R600a) is contained within the refrigerant circuit of the appliance, a natural gas with a high level of environmental compatibility, which is nevertheless flammable. During transportation and installation of the appliance, ensure that none of the components of the refrigerant circuit becomes damaged. The refrigerant (R600a) is flammable.

WARNING! Refrigerators contain refrigerant and gases in the insulation. Refrigerant and gases must be disposed of professionally as they may cause eye injuries or ignition. Ensure that tubing of the refrigerant circuit is not damaged prior to proper disposal.

If the refrigerant circuit should be damaged:

- Avoid opening flames and sources of ignition.
- Thoroughly ventilate the room in which the appliance is situated.

It is dangerous to alter the specifications or modify this product in any way.

Any damage to the cord may cause a shortcircuit, fire, and/or electric shock.

Electrical safety

1. The power cord must not be lengthened.
2. Make sure that the power plug is not crushed or damaged. A crushed or damaged power plug may overheat and cause a fire.
3. Make sure that you can access the main plug of the appliance.
4. Do not pull the main cable.
5. If the power plug socket is loose, do not insert the power plug. There is a risk of electric shock or fire.
6. You must not operate the appliance without the interior lighting lamp cover.
7. The fridge is only applied with power supply of single phase alternating current of 220~240V/50Hz. If fluctuation of voltage in the district of user is so large that the voltage exceeds the above scope, for safety sake, be sure to apply A.C. Automatic voltage regulator of more than 350W to the fridge. The fridge must employ a special power socket instead of common one with other electric appliances. Its plug must match the socket with ground wire.

IV. DAILY USE

- Do not store flammable gas or liquids in the appliance. There is a risk of an explosion.
- Do not operate any electrical appliances in the appliance (e.g. electric ice cream makers, mixers etc.).
- When unplugging always pull the plug from the mains socket. Do not pull on the cable.
- Do not place hot items near the plastic components of this appliance.
- Do not place food products directly against the air outlet on the rear wall.
- Store pre-packed frozen food in accordance with the frozen food manufacturer's instructions.
- The appliance manufacturer's storage recommendations should be strictly adhered to. Refer to relevant instructions for storage.
- Do not place carbonated or fizzy drinks in the freeze compartment as it creates pressure on the container, which may cause it to explode, resulting in damage to the appliance.
- Frozen food can cause frost burns if consumed straight from the freezer compartment.
- Do not place the appliance in direct sunlight.
- Keep burning candles, lamps and other items with naked flames away from the appliance so that they do not set the appliance on fire.
- The appliance is intended for keeping food stuff and/or beverages in normal household as explained in this instruction booklet. The appliance is heavy. Care should be taken when moving it.
- Do not remove nor touch items from the freezer compartment if your hands are damp/wet, as this could cause skin abrasions or frost/freezer burns.
- Never use the base, drawers, doors etc. to stand on or as supports.
- Frozen food must not be refrozen once it has been thawed out.
- Do not consume ice popsicles or ice cubes straight from the freezer as this can cause freezer burn to the mouth and lips.
- To avoid items falling and causing injury or damage to the appliance, do not overload the door racks or put too much food in the crisper drawers.
- This refrigerating appliance is not intended to be used as a built-in appliance.
- This refrigerating appliance is not suitable for freezing foodstuffs.

V. CLEANING AND MAINTENANCE

- Before maintenance, switch off the appliance and disconnect the mains plug from the mains socket.
- Do not clean the appliance with metal objects, steam cleaner, ethereal oils, organic solvents or abrasive cleansers.
- Do not use sharp objects to remove frost from the appliance. Use a plastic scraper.

VI. INSTALLATION

- For electrical connection carefully, follow the instructions given in this manual.
- Unpack the appliance and check if there are damages on it.
- Do not connect the appliance if it is damaged. Report possible damages immediately to the place you bought it. In this case retain packing.
- It is advisable to wait at least four hours before connecting the appliance to allow the oil to flow back in the compressor.
- Adequate air circulation should be around the appliance, lacking this leads to overheating. To achieve sufficient ventilation, follow the instructions relevant to installation.
- Wherever possible the back of the product should not be too close to a wall to avoid touching or catching warm parts (compressor, condenser) to prevent the risk of a fire, follow the instructions relevant to installation.
- The appliance must not be locate close to radiators or cookers.
- Make sure that the mains plug is accessible after the installation of the appliance.

VII. SERVICE AND ENERGY SAVING

Service

- Any electrical work required to do the servicing of the appliance should be carried out by qualified electrician or competent person.
- This product must be serviced by an authorized Service Center, and only genuine spare parts must be used.

If the appliance is Frost Free.

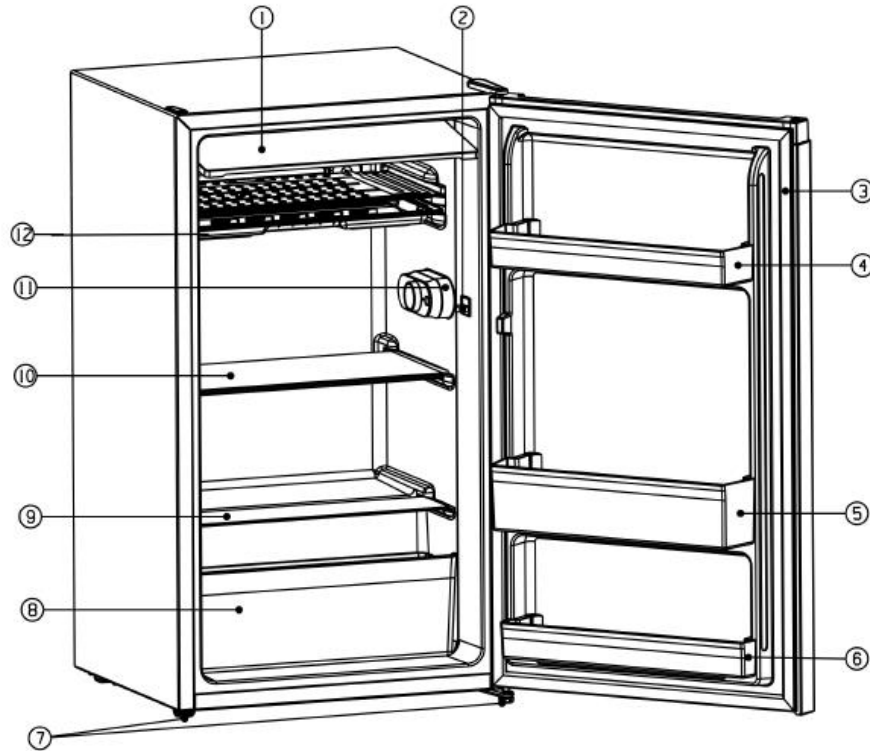
If the appliance contains freezer compartment.

Energy Saving tips

We recommend that you follow the tips below to save energy:

- Try to avoid keeping the door open for long periods in order to conserve energy.
- Ensure the appliance is away from any sources of heat (Direct sunlight, electric oven or cooker etc).
- Don't set the temperature colder than necessary.
- Don't store warm food or evaporating liquid in the appliance.
- Place the appliance in a well ventilated, humidity free, room. Please refer to Installing your new appliance chapter.
- If the diagram shows the correct combination for the drawers, crisper and shelves, do not adjust the combination as this is designed to be the most energy efficient configuration.

VIII. PRODUCT DESCRIPTION



1. Flip door	7. Supporting leg
2. Light switch	8. Crisper drawer
3. Door seal	9. Crisper box cover
4. Upper shelf	10. Glass shelves
5. Middle shelf	11. Thermostat box
6. Lower shelf	12. Evaporator dish

Note:

- Due to unceasing modification of our products, your refrigerator may be slightly different from this instruction manual, but its functions and using methods remain the same.
- To get the best energy efficiency of this product, please place all shelves, drawers and baskets on their original position as the illustration above.

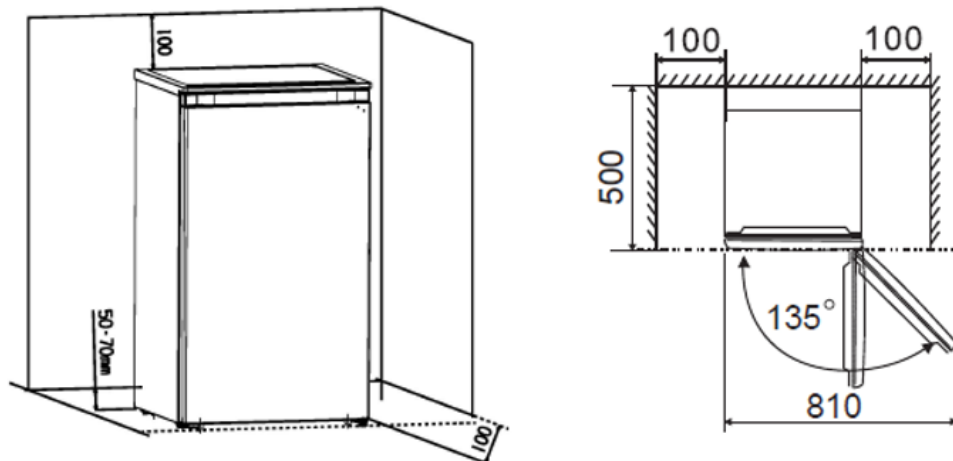
IX. INSTALLING

Cleaning before use

Before using the appliance for the first time, wash the interior and all internal accessories with lukewarm water and some neutral soap so as to remove the typical smell of a brand new product, then dry thoroughly.

Important! Do not use detergents or abrasive powders, as these will damage the finish.

Important! It is necessary to have good ventilation around the refrigerator to allow for the dissipation of heat, high efficiency, and low power consumption. For this reason, sufficiently cleared space should be available around the refrigerator. It is advisable for there to be 50-70 mm separating the back of the refrigerator to the wall at least 100 mm of space on its two sides, a height of over 100 mm from its top and a clear space in front to allow the doors to open 135°. Appliances must not be exposed to rain. Sufficient air must be allowed to circulate in the low rear section of the appliance, as poor air circulation can affect performance. Built in appliances should be positioned away from heat sources such as heaters and direct sunlight.

**Installation positioning**

Warning! Before installing, read the instruction carefully for your safety and correct operation of the appliance.

- Position the appliance away from sources of heat such as stoves, radiators, direct sunlight, etc.
- Maximum performance and safety are guaranteed by maintaining the correct indoor temperature for the class of unit concerned, as specified on the rating plate.
- This appliance performs well from N to T. The appliance may not work properly if it is left for a longer period at a temperature above or below the indicated range.

Climate class	Ambient temperature
SN	+10°C to +32°C
N	+16°C to +32°C
ST	+16°C to +38°C
T	+16°C to +43°C

- Appliances must not be exposed to rain. Sufficient air must be allowed to circulate in the lower rear section of the appliance, as poor air circulation can affect performance. Built-in appliances should be positioned away from heat sources such as heaters and direct sunlight.

Leveling

The appliance should be level in order to eliminate vibration. To make the appliance level, it should be up right and both adjusters should be firmly contacted with the floor. You can also adjust the level by screwing out the appropriate level adjuster at the front (use your fingers or a suitable spanner).

Electrical connection

Caution! Any electrical work required to install this appliance should be carried out by a qualified or competent person.

Warning! This appliance must be earthed. The manufacture declines any liability should these safety measures not be observed.

Reversing the door

The side at which the door opens can be changed from the right side (as supplied) to the left side, if the installation site requires.

Tools you will need:

1. 8 mm socket driver

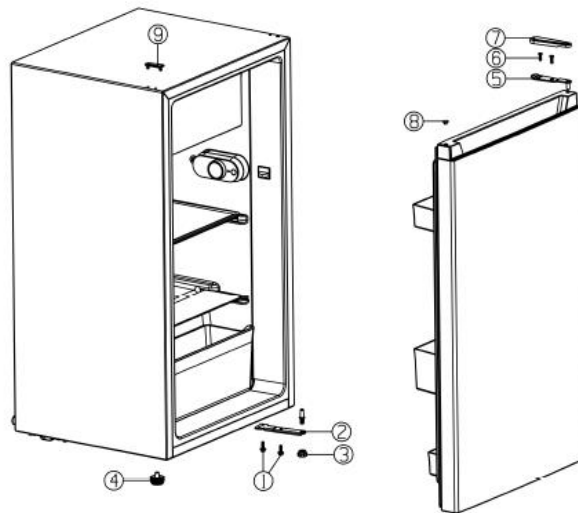


2. Cross-shaped screwdriver



3. Putty knife or thin-blade screwdriver





1. Screw	6. Screw bolt
2. Low hinge	7. Upper hinge cap
3. Adjustable low foot	8. Shaft sleeve
4. Adjustable high foot	9. Plug
5. Upper hinge	

Before you start lay the refrigerator on its back in order to gain access to the base, you should rest it on soft foam packaging or similar material to avoid damaging the cooling pipes at the rear of the refrigerator.

1. Open the appliance door and un hinge and remove all fittings from inside the appliance.

2. Remove the upper hinge cap (7).

3. Remove the two screws blot (6) that connect the upper hinge (5) on the right side of the cabinet top.

4. Carefully lift the door and place it on a padded surface to prevent scratching.

5. Remove the plug (9) and transfer it to the uncovered hole on the right side of the unit. Be sure to press the button firmly into the hole.

6. Remove the two screws (1) that hold the lower hinge (2) on the right side of the unit.

7. Remove the screw-type leveling front leg (4) and transfer it to the right side as shown in the adjacent figure.

8. Set the door into its new place making sure the pin enters the bushing at the lower frame section (hole).

9. Secure the upper hinge (5) previously removed in step 6 on the left side of the unit. Make sure the pin enters the bushing on the upper frame section (hole).

10. Loosely secure the lower left hinge (2) and do not tighten the bolts until the door is in the closed position and leveled.

11. Insert the plug (9) on the uncovered holes (right side).
12. Replace the upper hinge cap (7).
13. Turn the appliance upright again.
14. Open the appliance doors and attach all fittings.

Disposal of the appliance

It is prohibited to dispose of this appliance as household waste.

Packaging materials with the recycle symbol are recyclable. Dispose of the packaging into a suitable waste collection container to recycle it.

Before disposal of the appliance

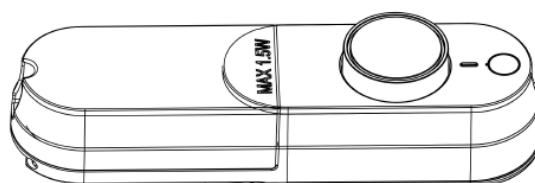
- Pull out the mains plug from the mains socket.
- Cut off the power cord and discard with the mains plug.

Warning! Refrigerators contain refrigerant and gases in the insulation. Refrigerant and gases must be disposed of professionally as they may cause eye injuries or ignition. Ensure that tubing of the refrigerant circuit is not damaged prior to proper disposal.

X. TEMPERATURE SETTING

Control panel

- Insert the plug of the connection lead into the plug socket with a protective grounding contact. When the refrigerator compartment door is opened, the internal lighting is switched on.
- The temperature selector knob is located on the RH side of the refrigerator compartment.



Setting "0" means: Off

Clockwise rotate the knob to turn on the appliance.

Setting "1" means:

Highest temperature, warmest setting.

Setting "7" (end-stop) means:

Lowest temperature, coldest setting.

Important: Normally we advise you select a setting of 4, if you want the temperature warmer or colder please turn the knob to lower or higher setting accordingly. When you turn the knob to a lower setting, this can lead to more energy saving. Otherwise, it would result high consumption of energy.

NOTE: High temperature setting will accelerate food waste.

For optimum food preservation, a medium setting is generally the most suitable.

Important: High ambient temperatures (e.g. on hot summer days) and a cold setting (position 6 to 7) may cause the compressor to run continuously or even non-stop.

Reason: when the ambient temperature is high, the compressor must run continuously to maintain the low temperature in the appliance.

Accessories

Movable shelves/trays

- Various glass or plastic storage shelves or wire trays are included with your appliance different models have different combinations and different models have different quality.
- The walls of the refrigerator are equipped with a series of runners so that the shelves can be positioned as desired.

Positioning the door shelves

- To permit the storage of food packages of various sizes, the door shelves can be placed at different heights.
- To make these adjustments proceed as follows gradually pull the shelf in the direction of the arrows until it comes free, then repositions as required .

Vegetable drawer

- The drawer is suitable for storing fruit and vegetables.

Noises during operation

The following noises are characteristic of refrigeration appliances:

Clicks: Whenever the compressor switches on or off, a click can be heard.

Humming: As soon as the compressor is in operation, you can hear it humming.

Bubbling: When refrigerant flows into thin tubes, you can hear bubbling or splashing noises.

Splashing: Even after the compressor has been switched off, this noise can be heard for a short time.

XI. STORING THE FOOD

Hints for fresh food refrigeration

- Do not place hot food directly into the fridge or freezer, the internal temperature will increase resulting in the compressor having to work harder and will consume more energy.
- Do cover or wrap the food particularly if it has a strong flavor.
- Place food properly so that air can circulate freely around it.

Hints for refrigeration

- Meat (All Types) Wrap in polythene food: wrap and place on the glass shelf above the vegetable drawer. Always follow food storage times and use by dates suggested by manufacturers.
- Cooked food, cold dishes, etc.: They should be covered and may be placed on any shelf.
- Fruit and vegetables: They should be stored in the special drawer provided.
- Butter and cheese: Should be placed aluminum foil or polyethylene(plastic) bags while removing as much air as possible.
- Milk bottles: Should have a lid and be stored in the door racks.

Switching off your appliance

If the appliance needs to be switched off for an extended period, the following steps should be taken prevent mould on the appliance.

1. Remove all food.
2. Remove the power plug from the mains socket.
3. Clean and dry the interior thoroughly.
4. Ensure that all the doors are wedged open slightly to allow air to circulate.

To avoid contamination of food, please respect the following instructions:

- Opening the door for long periods can cause a significant increase of the temperature in the compartments of the appliance.
- Clean regularly surfaces that can come in contact with food and accessible drainage systems.
- Store raw meat and fish in suitable containers in the refrigerator, so that it is not in contact with or drip onto other food.
- Two-star frozen-food compartments are suitable for storing pre-frozen food, storing or making ice cream and making ice cubes.
- One-, two- and three-star compartments are not suitable for the freezing of fresh food.

Note: Please store different foods according to the compartments or target storage temperature of your purchased products.

If the appliance is left empty for long periods, switch off, defrost, clean, dry, and leave the door open to prevent mould developing within the appliance.

WARNING! Food needs to be packed in bags before putting into the refrigerator, and liquids need to be packed in bottles or capped containers to avoid the problem that the product design structure is not easy to clean.

Order	Compartments TYPE	Target storage temp. [°C]	Appropriate food
1	Fridge	+2~≤+6	Eggs, cooked food, packaged food, fruits and vegetables, dairy products, cakes, drinks and other foods are not suitable for freezing.
2	(***)*-Freezer	≤-18	Seafood (fish, shrimp, shellfish), freshwater aquatic products and meat products (recommended for 3 months, the longer the storage time, the worse the taste and nutrition), suitable for frozen fresh food.
3	**-*-Freezer	≤-18	Seafood (fish, shrimp, shellfish), freshwater aquatic products and meat products (recommended for 3 months, the longer the storage time, the worse the taste and nutrition), are not suitable for frozen fresh food.
4	**-*-Freezer	≤-12	Seafood (fish, shrimp, shellfish), freshwater aquatic products and meat products (recommended for 2 months, the longer the storage time, the worse the taste and nutrition), are not suitable for frozen fresh food.

5	*-Freezer	≤ -6	Seafood (fish, shrimp, shellfish), freshwater aquatic products and meat products (recommended for 1 months, the longer the storage time, the worse the taste and nutrition), are not suitable for frozen fresh food.
6	0-star	$-6 \sim \leq 0$	Fresh pork, beef, fish, chicken, some packaged processed foods, etc. (Recommended to eat within the same day, preferably no more than 3 days). Partially encapsulated processed foods (non-freezable foods)
7	Chill	$-2 \sim \leq +3$	Fresh/frozen pork, beef, chicken, freshwater aquatic products, etc. (7 days below 0 °C and above 0 °C is recommended for consumption within that day, preferably no more than 2 days). Seafood (less than 0 for 15 days, it is not recommended to store above 0 °C).
8	Fresh Food	$0 \sim \leq +4$	Fresh pork, beef, fish, chicken, cooked food, etc. (Recommended to eat within the same day, preferably no more than 3 days).
9	Wine	$+5 \sim \leq +20$	Red wine, white wine, sparkling wine, etc.

XII. CLEANING AND DEFROSTING THE FREEZER

For hygienic reasons the appliance (including exterior and interior accessories) should be cleaned regularly (at least every two months).



Warning! Danger of electrical shock!

- The appliance should not be connected to the mains during cleaning. Before cleaning switch the appliance off and remove the plug from the mains, or switch off or turn out the circuit breaker or fuse.

Important!

- Remove the food from the appliance before cleaning. Store them in a cool place, well covered.
- Never clean the appliance with a steam cleaner. Moisture could accumulate in electrical components.
- Hot vapors can lead to the damage of plastic parts.
- Ethereal oils and organic solvents can attack plastic parts, e.g. lemon juice or the juice from orange peel, butyric acid, cleanser that contain acetic acid. Do not allow such substances to come into contact with appliance parts.
- Do not use any abrasive cleansers.
- Clean the appliance and the interior accessories with a cloth and lukewarm water. Commercially available dish washing detergents may also be used.
- After cleaning wipe with fresh water and clean dish cloth.
- Accumulation of dust at the condenser increases energy consumption, clean the condenser at the back of the appliance once a year with a soft brush or a vacuum cleaner.
- Clear a blocked drain hole with the aid of something like soft green peg, be careful not to make any damage to the cabinet by sharp things.
- After everything is dry place appliance back into service.

Defrosting

Why defrosting

- Water contained in food or air getting into inside while the fridge be opening doors may form a frost layer inside. It will weaken the refrigeration when the frost is thick. While it is more than 10 mm thick, you should defrost.

Defrosting in fresh food storage compartment

- It is automatically controlled by switching the temperature regulator on or off so that there is no need of operation of defrosting. Water from defrosting will be drained to the defrosting tray automatically. Then you need to put away the water of the defrosting tray and clean the refrigerator inside after defrosting.

Warning! You need to raise the defrosting tray before you remove it.

Warning! Switching off the appliance before defrosting, turn the temperature regulator to position "0".

Important! The fridge should be defrosted at least every one month. During the using process, if the door was opened frequently or using the appliance in the extreme humidity, we advise the user to defrost every two weeks.

XIII. TROUBLESHOOTING

If you experience a problem with your appliance or are concerned that the appliance is not functioning correctly, you can carry out some easy checks before calling for service, please see below.

Warning! Don't try to repair the appliance yourself. If the problem persists after you have made the checks mentioned below, contact a qualified electrician, authorized service engineer or the shop where you purchased the product.

Before trouble shooting, disconnect the power supply.

PROBLEM	POSSIBLE CAUSE(S)	SOLUTION
Appliance does not work.	Appliance is not switched on.	Switch on the appliance.
	Mains plug is not plugged in or is loose.	Insert mains plug.
	Fuse has blown or is defective.	Check fuse, replace if necessary.
	Socket is defective.	Mains malfunctions are to be corrected by an electrician.
Appliance cools too much.	Temperature is set too cold.	Turn the temperature regulator to a warmer setting temporarily.
The food is too warm.	Temperature is not properly adjusted.	Please refer to the "Control panel" section.
	Door was open for an extended period.	Open the door only as long as necessary.
	A large quantity of warm food was placed in the appliance within the last 24 hours.	Turn the temperature regulation to a colder setting temporarily.
	The appliance is near a heat source.	Please look in the "Installing your new appliance" section.
Interior LED Light does not work.	LED Light is defective.	Please look in the "cleaning and care" section.
Heavy build-up of frost, possibly also on the door seal.	Door seal is not air-tight (possibly after reversing the door).	Carefully warm the leaking sections of the door seal with a hair dryer (on a cool setting). At the same time shape the warmed door seal by hand such that it sits correctly.
	Appliance is not level.	Readjust the feet.
	The appliance is touching the wall or other objects.	Move the appliance slightly.

Unusual noises.	A component, e.g. a pipe, on the rear of the appliance is touching another part of the appliance or the wall.	If necessary, carefully bend the component out of the way.
The compressor does not start immediately after changing the temperature setting.	This is normal, no error has occurred.	The compressor starts after a period of time.
Water on the floor or storage shelves.	Water drain hole is blocked.	See the “cleaning and care” section.

CUSTOMER CARE AND SERVICE

Always use original spare parts.

When contacting our Authorised Service Centre, ensure that you have the following data available: Model and Serial Number.

The information can be found on the rating plate. Subject to change without notice.

TECHNICAL DATA

The technical information is situated in the rating plate on the internal side of the appliance and on the energy label.

The QR code on the energy label supplied with the appliance provides a web link to the information related to the performance of the appliance in the EU EPREL database.

Keep the energy label for reference together with the user manual and all other documents provided with this appliance.

It is also possible to find the same information in EPREL using the link <https://eprel.ec.europa.eu> and the model name and product number that you find on the rating plate of the appliance.

To access information about your product in the EPREL portal, you can scan the codes below:



Thank you for purchasing this product. If you need support with your product, visit our website using the links below.

Get User manuals: <https://www.heinner.ro>

Get Service information: <https://www.heinner.ro>



Environment friendly disposal

You can help protect the environment!

Please remember to respect the local regulations: hand in the non-working electrical equipment's to an appropriate waste disposal center.



HEINNER is a registered trademark of **Network One Distribution SRL**. Other brands and product names are trademarks or registered trademarks of their respective holders.

No part of the specifications may be reproduced in any form or by any means or used to make any derivative such as translation, transformation, or adaptation without permission from NETWORK ONE DISTRIBUTION.

Copyright © 2013 Network One Distribution. All rights reserved.

www.heinner.com, <http://www.nod.ro>

<http://www.heinner.com>, <http://www.nod.ro>



This product is in conformity with norms and standards of European Community.

Importer: **Network One Distribution**

Marcel Iancu, 3-5, Bucharest, Romania

Tel: +40 21 211 18 56, www.heinner.com , www.nod.ro

HEINNER

FRIGIDER

Model:

HF-HS94E++/HF-HS94SE++



www.heinner.ro

- Frigider
- Clasa de eficiență energetică: E
- Capacitate totala: 94 L

Vă mulțumim pentru alegerea acestui produs!

I. INTRODUCERE

Vă rugăm să citiți instrucțiunile cu atenție și să păstrați manualul pentru consultări ulterioare.

Acest manual are scopul de a vă oferi toate instrucțiunile necesare cu privire la instalarea, utilizarea și întreținerea aparatului. Pentru utilizarea corectă și în siguranță a aparatului, vă rugăm să citiți cu atenție acest manual de instrucțiuni înainte de instalare și utilizare.

II. CONȚINUTUL PACHETULUI DUMNEAVOASTRĂ



- **Frigider**
- **Manual de utilizare**
- **Certificat de garanție**

III. INFORMAȚII PRIVIND SIGURANȚA

Pentru siguranța dumneavoastră și o utilizare corectă, înainte de a instala și a folosi aparatul pentru prima dată, citiți cu atenție acest manual de instrucțiuni, inclusiv sugestiile și avertismentele. Pentru a evita erorile și accidentele, este important să vă asigurați că toate persoanele care utilizează aparatul sunt familiarizate cu modul de funcționare și cu măsurile de siguranță. Păstrați aceste instrucțiuni și asigurați-vă că vor rămâne împreună cu aparatul dacă acesta este mutat sau vândut, astfel încât orice persoană care îl folosește pe durata de exploatare a acestuia să fie bine informată în legătură cu utilizarea sa și cu măsurile de siguranță.

Pentru garantarea siguranței persoanelor și a bunurilor, respectați măsurile de precauție specificate în cadrul prezentului manual de instrucțiuni, deoarece producătorul nu este răspunzător pentru daunele cauzate prin omisiune.

Siguranța copiilor și a altor persoane vulnerabile

- Conform standardului EN: Aparatul poate fi utilizat de către copii cu vârste începând de la 8 ani și de către persoane cu capacități fizice, senzoriale sau mentale reduse, cu lipsă de experiență sau cunoștințe, numai dacă acestea sunt supravegheate sau instruite în ceea ce privește utilizarea în siguranță a aparatului și dacă înțeleg pericolele pe care le implică utilizarea. Copiii nu au voie să se joace cu aparatul. Curățarea și întreținerea nu trebuie efectuate de către copii nesupravegheați.
- Copiilor cu vârste începând de la 3 ani le este permis să introducă și să scoată alimente din aparatele frigorifice.
- Conform standardului IEC: Aparatul nu este destinat utilizării de către persoane (inclusiv copii) care au capacități fizice, senzoriale sau mentale reduse, sau cărora le lipsesc experiența și cunoștințele necesare, decât dacă sunt supravegheate sau au fost instruite cu privire la utilizarea aparatului de către o persoană care răspunde pentru siguranța acestora.
- Copiii trebuie supravegheați, astfel încât aceștia să nu se joace cu aparatul.
- Nu lăsați ambalajele la îndemâna copiilor. Pericol de asfixiere.
- Pentru a evita situațiile în care copiii se pot electrocuta sau închide în interiorul aparatului, înainte de a-l arunca, scoateți ștecărul din priză, tăiați cablul de alimentare (cât mai aproape de aparat posibil) și demontați ușa aparatului.
- Dacă acest aparat (care este prevăzut cu un sistem de închidere magnetic) înlocuiește un aparat mai vechi, prevăzut cu închizătoare cu arc (zăvor) pe ușă sau pe capac, înainte de a arunca aparatul vechi, asigurați-vă că închizătoarea cu arc nu mai poate fi folosită. Astfel, copiii nu vor putea rămâne blocați înăuntru.

Măsuri generale de siguranță

AVERTISMENT! Acest aparat este destinat utilizării în locuințe și alte unități similare:

- bucătăriile personalului din magazine, birouri și alte medii de lucru;
- în gospodării și de către clienții din hoteluri, moteluri și alte medii de tip rezidențial;
- medii de tipul pensiune cu mic dejun;
- activități de tip catering și non-retail.

AVERTISMENT! Nu depozitați în acest aparat produse explozive precum spray-urile cu aerosoli inflamabili.

AVERTISMENT! Pentru evitarea pericolelor, în cazul în care cablul de alimentare este deteriorat, acesta trebuie înlocuit de către producător, de către agentul său de service sau de persoane cu o calificare similară.

AVERTISMENT! Asigurați-vă că gurile de ventilație ale carcasei aparatului sau ale corpului acestuia nu sunt obturate.

AVERTISMENT! Utilizați numai dispozitive mecanice sau mijloace de grăbire a procesului de dezghețare recomandate de către producător.

AVERTISMENT! Nu deteriorați circuitul de refrigerare.


AVERTISMENT! Nu folosiți aparate electrice în interiorul compartimentelor de depozitare a alimentelor din acest aparat, decât dacă acestea sunt de tipul celor recomandate de către producător.

AVERTISMENT! Agentul frigorific și gazul izolan sunt inflamabile. Dacă doriți să aruncați aparatul, apelați la un centru autorizat de eliminare a deșeurilor. Nu expuneți aparatul la foc.

AVERTISMENT! Atunci când poziționați aparatul, asigurați-vă că nu striviți și nu deteriorați cablul de alimentare.

AVERTISMENT! Nu amplasați în spatele aparatului prize multiple sau surse de alimentare portabile.

AVERTISMENT! Ambalați alimentele în pungi și puneți lichidele în sticle sau recipiente acoperite înainte de a le introduce în frigider, pentru a evita murdărirea componentelor interioare ale aparatului.

Simbolul  avertizează cu privire la faptul că agentul frigorific și gazul izolan sunt inflamabile.



AVERTISMENT! Pericol de incendiu!

În cazul în care circuitul de refrigerare este deteriorat:

- Evitați utilizarea focului deschis și sursele de aprindere a focului.
- Aerișiți bine camera în care se află aparatul.

Înlocuirea becurilor

AVERTISMENT - Becurile nu trebuie înlocuite de către utilizator! Dacă becurile se defectează, apălați la asistență specializată. Acest avertisment este valabil numai pentru frigiderul prevăzute cu lămpi de iluminare.

Agentul frigorific

Circuitul de refrigerare al aparatului conține agent frigorific R600a (izobutan), un gaz natural cu un nivel ridicat de compatibilitate cu mediul înconjurător, dar inflamabil. În timpul transportului și al montării aparatului, asigurați-vă că niciuna dintre componentele circuitului de refrigerare nu este deteriorată. Agentul frigorific (R600a) este inflamabil.

AVERTISMENT! Frigiderele conțin agent frigorific și gaze izolante. Agentul frigorific și gazele trebuie să fie eliminate în mod corespunzător, deoarece acestea pot provoca leziuni oculare sau se pot aprinde. Înainte de eliminare, asigurați-vă că tubulatura circuitului de refrigerare nu este deteriorată.

În cazul în care circuitul de refrigerare este deteriorat:

- Evitați utilizarea focului deschis și sursele de aprindere a focului.
- Aerișiți bine camera în care se află aparatul.

Modificarea în orice fel a specificațiilor sau a produsului este periculoasă.

Orice deteriorare a cablului de alimentare poate genera risc de scurtcircuitare, incendiu sau electrocutare.

Siguranța electrică

1. Nu prelungiți cablul de alimentare.
2. Asigurați-vă că ștecărul nu a fost strivit sau deteriorat. În cazul în care cablul de alimentare este strivit sau deteriorat, acesta se poate supraîncălzi și poate provoca un incendiu.
3. Asigurați-vă că aveți acces la ștecărul aparatului.
4. Nu trageți de cablul de alimentare.
5. Dacă priza în care trebuie introdus ștecărul este desprinsă, nu introduceți ștecărul în ea. Există riscul de electrocutare și de incendiu.
6. Nu utilizați aparatul fără capacul lămpii de iluminare din interior.
7. Aparatul nu poate fi alimentat decât de la un circuit electric alternativ monofazat, de 220-240V/50Hz. Dacă variațiile de tensiune din zona în care locuiește utilizatorul nu se încadrează în limitele domeniului de tensiune de mai sus, pentru siguranță, utilizați un regulator de tensiune automat AC cu o putere mai mare de 350 W. Aparatul trebuie alimentat de la o priză separată, nu de la o priză la care sunt conectate și alte aparate electrice. Ștecărul trebuie să fie compatibil cu priza cu împământare.

IV. UTILIZARE COTIDIANĂ

- Nu depozitați gaze sau lichide inflamabile în aparat. Există riscul producerii unei explozii.
- Nu utilizați dispozitive electrice în interiorul aparatului (ex.: aparate electrice de făcut înghețată, mixere etc.).
- Atunci când deconectați aparatul de la sursa de alimentare, scoateți ștecărul din priză fără a trage de cablu.
- Nu așezați obiecte fierbinți lângă componentele din plastic ale aparatului.
- Nu așezați alimente imediat lângă orificiul de evacuare a aerului situat pe peretele posterior din interiorul aparatului.
- Depozitați alimentele congelate preambalate în conformitate cu instrucțiunile producătorului alimentelor congelate.
- Respectați cu strictețe recomandările producătorului acestui aparat privind depozitarea. Consultați instrucțiunile referitoare la depozitare.
- Nu depozitați băuturi carbogazoase sau acidulate în congelator, deoarece se creează presiune asupra recipientelor, acestea putând exploda, având drept rezultat deteriorarea aparatului.
- Alimentele înghețate pot cauza degerături dacă sunt consumate direct din congelator.
- Nu expuneți aparatul la lumina directă a soarelui.
- Țineți lumânările aprinse, lămpile și alte obiecte cu flacără deschisă cât mai departe de aparat, astfel încât acesta să nu ia foc.
- Aparatul este destinat depozitării alimentelor și/sau băuturilor într-o gospodărie obișnuită, așa cum a este specificat în prezentul manual de instrucțiuni. Acest aparat este greu. Mutați-l cu grijă.
- Nu scoateți și nu atingeți obiecte din congelator dacă aveți mâinile umede/ude, deoarece vă puteți provoca leziuni ale pielii sau degerături.
- Nu folosiți niciodată baza, sertarele, ușile etc. pentru a vă urca pe ele sau ca suporturi.
- Nu congelați din nou alimentele care s-au dezghețat.
- Nu consumați înghețată sau cuburi de gheață direct din congelator, deoarece acestea pot provoca leziuni ale gurii și buzelor.
- Pentru a evita căderea obiectelor și provocarea vătămarilor corporale sau a deteriorării aparatului, nu supraîncărcați rafturile de pe ușă și nu puneți prea multe alimente în sertarul pentru legume și fructe.
- Acest aparat frigorific nu este destinat utilizării ca aparat încorporat;
- Acest aparat frigorific nu este potrivit pentru congelarea produselor alimentare.

V. CURĂȚARE ȘI ÎNTREȚINERE

- Înainte de efectuarea operațiilor de întreținere, opriți aparatul și scoateți ștecărul din priză.
- Nu curățați aparatul cu obiecte din metal, aparate de curățat cu aburi, uleiuri eterice, solvenți organici sau substanțe abrazive.
- Nu folosiți obiecte ascuțite pentru a îndepărta gheața din aparat. Folosiți o racletă din plastic.

VI. INSTALARE

- Pentru conectarea aparatului la sursa de alimentare cu energie electrică, urmați cu atenție instrucțiunile din cadrul prezentului manual.
- Despachetați aparatul și verificați dacă este deteriorat.
- Dacă aparatul prezintă deteriorări, nu îl conectați la sursa de alimentare. Dacă aparatul este deteriorat, comunicați imediat acest lucru distribuitorului de la care l-ați cumpărat. În acest caz, păstrați ambalajul.
- Vă recomandăm să așteptați cel puțin patru ore înainte de a conecta aparatul la sursa de alimentare, pentru ca uleiul să aibă timp să revină în compresor.
- Aerul trebuie să poată circula liber în jurul aparatului. În lipsa circulației aerului, aparatul se poate supraîncălzi. Pentru a obține o ventilație adecvată, respectați instrucțiunile referitoare la montare.
- Partea din spate a produsului nu trebuie să fie prea aproape de perete, pentru a evita atingerea sau prinderea componentelor calde (compresor, condensator). Pentru prevenirea riscului de producere a unui incendiu, urmați instrucțiunile cu privire la instalare.
- Nu amplasați aparatul în apropierea radiatoarelor sau a aragazelor.
- Asigurați-vă că aveți acces la ștecăr după montarea aparatului.

VII. REPARAȚII ȘI ECONOMISIREA ENERGIEI

Reparații

- Lucrările electrice necesare în vederea reparării aparatului trebuie efectuate de către un electrician calificat sau de către personal specializat.
- Produsul trebuie reparat de către un centru de service autorizat, folosindu-se numai piese de schimb originale.

Dacă aparatul este prevăzut cu un sistem Frost Free.

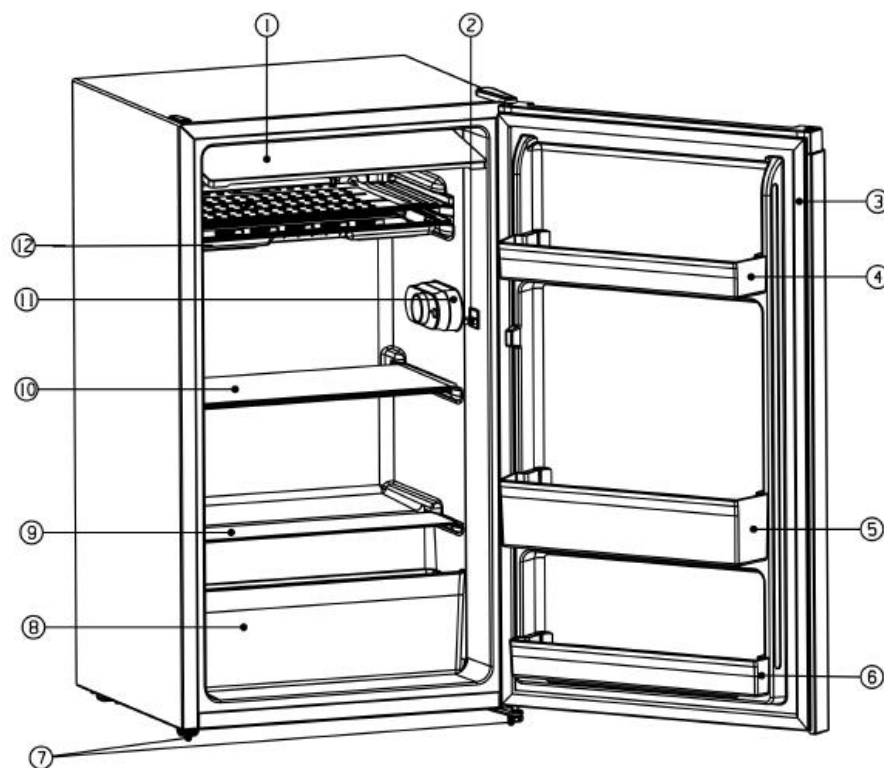
Dacă aparatul este prevăzut cu un compartiment de congelare.

Sfaturi pentru economisirea energiei electrice

Vă recomandăm să urmați sfaturile de mai jos în vederea economisirii energiei:

- Pentru a economisi energie, vă rugăm să nu lăsați mult timp ușa deschisă.
- Asigurați-vă că aparatul este departe de orice surse de căldură (lumina directă a soarelui, cuptoare electrice sau aragaze etc.).
- Nu setați temperatura la un nivel mai scăzut decât este necesar.
- Nu depozitați în aparat mâncare caldă sau lichide care se evaporă.
- Instalați aparatul într-o încăpere bine aerisită, ferită de umiditate. Vă rugăm să consultați capitolul privind instalarea aparatului.
- În cazul în care schema indică o configurație corectă pentru sertare și rafturi, vă rugăm să nu modificați acea configurație, deoarece este special concepută pentru eficientizarea consumului de energie electrică.

VIII. DESCRIEREA PRODUSULUI



1. Ușă basculantă	7. Picior de sprijin
2. Comutator lumină	8. Sertar pentru legume și fructe
3. Garnitura ușii	9. Capac compartiment fructe și legume
4. Raft superior	10. Rafturi din sticlă
5. Raft central	11. Cutia termostatului
6. Raft inferior	12. Tava evaporatorului

Notă:

- Date fiind modificările continue aduse produselor, frigiderul dumneavoastră poate fi puțin diferit de cel descris în acest manual de utilizare, însă funcțiile și modalitatea de utilizare rămân aceleași.
- Pentru ca acest produs să fie cât mai eficient, vă rugăm să amplasați rafturile, sertarele și coșurile în pozițiile indicate în ilustrația de mai sus.

IX. INSTALAREA

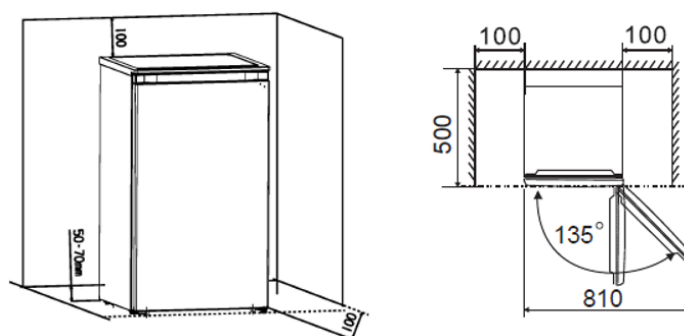
Curățarea înainte de utilizare

Înainte de a folosi aparatul pentru prima dată, spălați interiorul și toate accesoriile interne cu apă caldă și cu detergent neutru, pentru a înlătura mirosul specific de produs nou, apoi uscați-le bine.

Important! Nu folosiți detergenți sau prafuri abrazive, deoarece acestea vor deteriora suprafețele.

Important! Trebuie asigurată o bună ventilație în jurul frigiderului, pentru înlesnirea dispersării căldurii, pentru o eficiență ridicată a funcționării și un consum scăzut de energie electrică. În acest sens, trebuie să lăsați suficient spațiu liber în jurul frigiderului. Vă recomandăm să lăsați o distanță de 50-70 de mm între spatele frigiderului și perete, de cel puțin 100 de mm în laterale, o distanță de peste 100 de mm de la partea superioară până la tavan, precum și un spațiu liber în față care să permită deschiderea ușilor la 135°.

Aparatul trebuie să fie ferit de ploaie. Trebuie permisă o circulație suficientă a aerului în zona inferioară din spatele aparatului, deoarece un flux redus de aer poate afecta performanța acestuia. Aparatele încorporate trebuie să fie amplasate departe de sursele de căldură precum radiatoarele și lumina directă a soarelui.



Poziția de instalare

Avertisment! Pentru siguranța dumneavoastră și utilizarea corectă a aparatului, înainte de instalare, citiți cu atenție instrucțiunile.

- Amplasați aparatul la distanță de sursele de căldură precum cuptoarele, radiatoarele, lumina directă a soarelui etc.
- Funcționarea și siguranța optime sunt garantate de menținerea în interiorul camerei a unei temperaturi adecvate pentru clasa din care aparatul face parte, așa cum se specifică pe plăcuța cu date tehnice.
- Acest aparat funcționează corespunzător în clasele climatice de la N la T. Este posibil ca aparatul să nu funcționeze corect dacă este lăsat pentru o perioadă mai lungă la o temperatură peste sau sub intervalul indicat.

Clasa de climă	Temperatura ambientă
SN	de la +10 °C la + 32 °C
N	de la +16 °C la + 32 °C
ST	de la +16 °C la + 38 °C
T	de la +16 °C la + 43 °C

- Aparatul trebuie să fie ferit de ploaie. Trebuie permisă o circulație suficientă a aerului în zona inferioară din spatele aparatului, deoarece un flux redus de aer poate afecta performanța acestuia. Aparatele încorporate trebuie să fie amplasate departe de sursele de căldură precum radiatoarele și lumina directă a soarelui.

Poziționarea stabilă

Pentru a elimina vibrațiile, aparatul trebuie să fie stabil. Pentru asigurarea stabilității aparatului, acesta trebuie să fie drept, iar picioarele de reglare trebuie să fie în contact cu podeaua. Puteți regla poziția aparatului prin deșurubarea picioarelor de reglare situate în partea din față a aparatului (cu mâna sau cu o cheie potrivită).

Conectarea la rețeaua electrică

Atenție! Orice lucrare electrică necesară în vederea instalării acestui aparat trebuie executată de către o persoană calificată sau competentă.

Avertisment! Acest aparat trebuie să fie legat la pământ. În cazul în care aceste măsuri de siguranță nu sunt respectate, producătorul nu își asumă nicio răspundere.

Inversarea sensului de deschidere a ușii

Sensul de deschidere a ușii poate fi inversat, trecând de la deschidere dinspre partea dreaptă (așa cum este montat în fabrică) la deschidere dinspre partea stângă, dacă locul în care este poziționat aparatul necesită acest lucru.

Aveți nevoie de următoarele unelte.

1. Șurubelniță tubulară de 8 mm

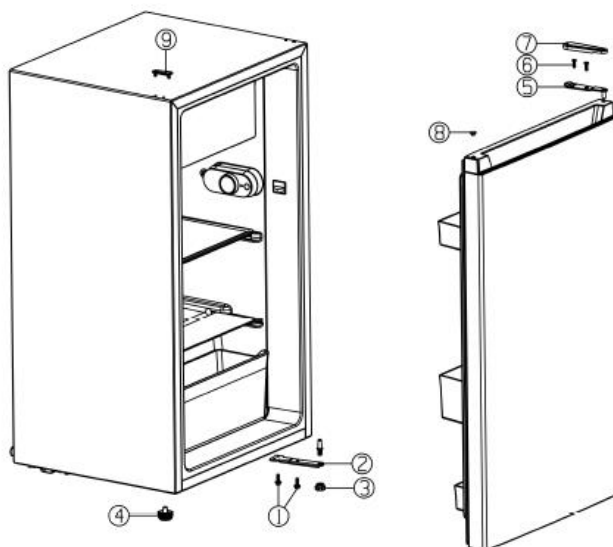


2. Șurubelniță în cruce



3. Șpaclu sau șurubelniță în linie





1. Şurub	6. Şurub
2. Balama inferioară	7. Capac balama superioară
3. Picior reglabil inferior	8. Bucşă
4. Picior reglabil superior	9. Dop
5. Balama superioară	

Înainte de a începe, pentru a avea acces la baza aparatului, așezați-l pe spate, pe o bucată de ambalaj din polistiren sau din material similar, în vederea evitării deteriorării conductelor de răcire de pe partea posterioară a aparatului.

1. Deschideți ușa aparatului, apoi defaceți și scoateți toate accesoriile din interiorul acestuia.
2. Scoateți capacul balamalei superioare (7).
3. Scoateți cele două șuruburi (6) cu care este prinsă balama superioară (5) pe partea dreaptă a aparatului.
4. Ridicați cu grijă ușa și așezați-o pe o suprafață moale, pentru a preveni zgârierea acesteia.
5. Scoateți dopul (9) și mutați-l în orificiul neacoperit din partea dreaptă a aparatului. Asigurați-vă că introduceți ferm dopul în orificiu.
6. Scoateți cele două șuruburi (1) cu care este prinsă balama inferioară (2) pe partea dreaptă a aparatului.
7. Scoateți piciorul reglabil (4) și mutați-l în partea dreaptă, așa cum este indicat în figura alăturată.
8. Fixați ușa în noua poziție, asigurându-vă că știftul intră în bucșa din partea inferioară a cadrului (în orificiu).
9. Fixați în partea stângă a aparatului balama superioară (5) scoasă anterior la pasul 6. Asigurați-vă că știftul intră în bucșa din partea superioară a cadrului (în orificiu).
10. Fixați provizoriu balama inferioară din partea stângă (2) și nu strângeți șuruburile înainte ca ușa să fie închisă și dreaptă.

11. Introduceți dopul (9) în orificiile descoperite (de pe partea dreaptă).
12. Puneți la loc capacul balamalei superioare (7).
13. Puneți din nou aparatul în poziție verticală.
14. Deschideți ușa aparatului și puneți la loc toate accesoriile.

Eliminarea produsului

Este interzisă eliminarea acestui aparat împreună cu deșeurile menajere.

Materialele marcate cu simbolul de reciclare sunt reciclabile. Aruncați ambalajele în containere speciale destinate reciclării.

Înainte de eliminarea aparatului

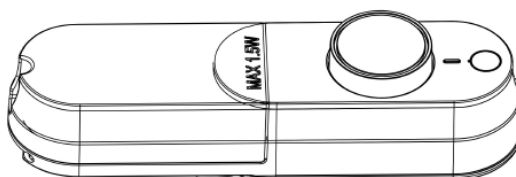
- Deconectați ștecărul de la sursa de alimentare cu energie.
- Tăiați cablu de alimentare și aruncați-l împreună cu ștecărul.

Avertisment! Frigiderele conțin agent frigorific și gaze izolante. Agentul frigorific și gazele trebuie să fie eliminate în mod corespunzător, deoarece acestea pot provoca leziuni oculare sau se pot aprinde. Înainte de eliminare, asigurați-vă că tubulatura circuitului de refrigerare nu este deteriorată.

X. SETAREA TEMPERATURII

Panoul de comandă

- Introduceți ștecărul cablului de alimentare în priza cu împământare. Atunci când ușa frigiderului este deschisă, becul din interiorul aparatului se aprinde.
- Butonul de reglare a temperaturii este situat în partea dreaptă a compartimentului de refrigerare.



Setarea „0” înseamnă: Oprit

Rotiți butonul în sensul acelor de ceasornic pentru a porni aparatul.

Setarea „1” înseamnă:

Setarea pentru temperatura cea mai ridicată.

Setarea 7 (capătul intervalului de reglare) înseamnă:

Setarea pentru temperatura cea mai scăzută.

Important: Pentru o funcționare normală, vă sfătuim să alegeți setarea 4. Dacă doriți ca temperatura să fie mai ridicată sau mai scăzută, rotiți butonul către o setare superioară sau inferioară, în funcție de preferințe. Dacă rotiți butonul către o setare pentru o temperatură superioară, puteți economisi mai multă energie electrică. În caz contrar, consumul de energie electrică va fi mai mare.

NOTĂ: Setarea unei temperaturi ridicate grăbește procesul de alterare a alimentelor.

Pentru o conservare optimă a alimentelor, setarea la un nivel mediu este în general cea mai potrivită.

Important: Temperaturile ambiante ridicate (cum ar fi cele din timpul verii) și selectarea unei temperaturi scăzute (poziția 6 sau 7) pot determina funcționarea continuă a compresorului.

Motiv: atunci când temperatura mediului ambiant este ridicată, compresorul funcționează încontinuu pentru a menține o temperatură scăzută în interiorul aparatului.

Accesorii

Rafturi/șertare detașabile

- Aparatul dumneavoastră este prevăzut cu diverse rafturi din sticlă, plastic sau metal; tipul și caracteristicile rafturilor diferă de la un model la altul.
- Pereții frigiderului sunt prevăzuți cu ghidaje de suport, astfel încât rafturile să poată fi poziționate în funcție de preferințe.

Poziționarea rafturilor de pe ușă

- Pentru facilitarea depozitării ambalajelor de alimente de diferite dimensiuni, rafturile de pe ușă pot fi poziționate la diferite înălțimi.
- Pentru efectuarea acestor operații, procedați după cum urmează: trageți ușor raftul în direcția săgeților până acesta iese, apoi repositionați-l în funcție de preferințe.

Sertarul pentru legume

- Acest sertar este potrivit pentru depozitarea fructelor și legumelor.

Zgomote în timpul funcționării

Următoarele zgomote sunt caracteristice funcționării aparatelor frigorifice:

Păcănituri: De fiecare dată când compresorul pornește sau se oprește, se aude o păcănitură.

Bâzâit: În timpul funcționării, compresorul bâzâie.

Bolboroseli: Atunci când agentul frigorific curge prin conducte, se pot auzi bolboroseli sau clipocit.

Clipocit: Chiar și după oprirea compresorului, acest zgomot poate fi auzit pentru o perioadă scurtă.

XI. DEPOZITAREA ALIMENTELOR

Recomandări privind refrigerarea alimentelor proaspete

- Nu introduceți alimente fierbinți direct în frigider sau congelator, deoarece temperatura interioară va crește, compresorul va lucra mai mult, iar consumul de energie electrică va crește.
- Acoperiți sau împachetați alimentele, în special în cazul în care acestea emit mirosuri puternice.
- Așezați alimentele în mod corespunzător, astfel încât aerul să poată circula liber în jurul acestora.

Recomandări privind refrigerarea

- Carnea (de toate tipurile) se împachetează în folie de polietilenă și se așază pe raftul din sticlă situat deasupra sertarului pentru legume și fructe. Verificați întotdeauna duratele de conservare a alimentelor și consumați-le în termenul specificat de către producător.
- Mâncarea gătită, mezelurile etc.: Acestea trebuie acoperite și pot fi așezate pe orice raft.
- Fructe și legume: Acestea se depozitează în sertarul special.
- Unt și brânzeturi: Acestea trebuie așezate în recipiente speciale închise ermetic sau înfășurate în folie din aluminiu sau în pungi de polietilenă cât mai etanșe.
- Sticle de lapte: Acestea trebuie să fie închise etanș și depozitate pe rafturile de pe ușă.

Oprirea aparatului

În cazul în care aparatul urmează a fi oprit pentru o perioadă mai îndelungată, parcurgeți pașii de mai jos pentru a preveni formarea mucegaiului.

1. Scoateți toate alimentele din aparat.
2. Deconectați ștecărul de la sursa de alimentare cu energie.
3. Curățați și uscați bine interiorul.
4. Asigurați-vă că ușile sunt întredeschise pentru a permite circulația aerului.

Pentru a evita contaminarea alimentelor, respectați instrucțiunile de mai jos.

- Dacă ușa aparatului este lăsată deschisă pe perioade lungi, temperatura din compartimentele aparatului crește semnificativ.
- Curățați periodic suprafețele care pot intra în contact cu alimentele, precum și sistemele de scurgere ale aparatului.
- Păstrați carnea crudă și peștele proaspăt în recipiente corespunzătoare, astfel încât acestea să nu intre în contact cu alte alimente.
- Compartimentele de congelare cu două stele sunt potrivite pentru păstrarea alimentelor precongolate, păstrarea sau prepararea înghețatei sau producerea cuburilor de gheață.
- Compartimentele cu una, două și trei stele nu sunt potrivite pentru congelarea alimentelor proaspete.

Notă: Vă rugăm să păstrați alimentele în compartimentele corespunzătoare și la temperaturile de depozitare recomandate.

Dacă aparatul frigorific este lăsat gol pe perioade lungi, opriți-l, decongețați-l, curățați-l, ștergeți-l bine și lăsați-i ușa deschisă pentru a preveni formarea mucegaiului în interiorul acestuia.

AVERTIZARE! Alimentele trebuie ambalate în pungi înainte de a fi introduse în frigider, iar lichidele trebuie ambalate în sticle sau recipiente cu capac.

Nr. de ordine	Tipul compartimentului	Temperatură de depozitare recomandată [°C]	Alimente potrivite
1	Refrigerare	+2~≤+6	Ouăle, alimentele gătite, alimentele ambalate, fructele și legumele, lactatele, prăjiturile și băuturile nu sunt potrivite pentru congelare.
2	(***)*-Congelare	≤-18	Fructele de mare (peștele, creveții, crustaceele), produsele de acvacultură și cele din carne sunt potrivite pentru congelare (se recomandă depozitarea acestora timp de 3 luni; cu cât durata de depozitare este mai mare, cu atât gustul și proprietățile nutritive se pierd).
3	***-Congelare	≤-18	Fructele de mare (peștele, creveții, crustaceele), produsele de acvacultură și cele din carne nu sunt potrivite pentru congelare (se recomandă depozitarea acestora timp de 3 luni; cu cât durata de depozitare este mai mare, cu atât gustul și proprietățile nutritive se pierd).
4	** - Congelare	≤-12	Fructele de mare (peștele, creveții, crustaceele), produsele de acvacultură și cele din carne nu sunt potrivite pentru congelare (se recomandă depozitarea

			acestora timp de 2 luni; cu cât durata de depozitare este mai mare, cu atât gustul și proprietățile nutritive se pierd).
5	*-Congelare	≤ -6	Fructele de mare (peștele, creveții, crustaceele), produsele de acvacultură și cele din carne nu sunt potrivite pentru congelare (se recomandă depozitarea acestora timp de 1 luni; cu cât durata de depozitare este mai mare, cu atât gustul și proprietățile nutritive se pierd).
6	fără stele	$-6 \sim \leq 0$	Carne proaspătă de porc, vită și pui, pește proaspăt, anumite alimente prelucrate și ambalate etc. (se recomandă să fie consumate în aceeași zi, de preferință în termen de cel mult 3 zile). Alimente prelucrate, ambalate parțial (alimente necongelabile)
7	Răcire	$-2 \sim \leq +3$	Carne proaspătă/congelată de porc, vită și pui, produse de acvacultură etc. (aceste alimente pot fi păstrate cel mult 7 zile la temperaturi sub 0 °C; în cazul păstrării la temperaturi care depășesc 0 °C, se recomandă să fie consumate în aceeași zi, de preferință în termen de cel mult 2 zile). Fructe de mare (aceste alimente pot fi păstrate cel mult 15 zile la temperaturi sub 0 °C; nu se recomandă păstrarea acestora la temperaturi care depășesc 0 °C)
8	Alimente proaspete	$0 \sim \leq +4$	Carne proaspătă de porc, vită și pui, mâncare gătită etc. (se recomandă să fie consumate în aceeași zi, de preferință în termen de cel mult 3 zile).
9	Vin	$+5 \sim \leq +20$	Vin roșu, vin alb, vin spumant etc.

XII. CURĂȚAREA ȘI DEZGHEȚAREA

Din motive de igienă, aparatul (inclusiv accesoriile exterioare și interioare) trebuie curățat cu regularitate, cel puțin o dată la două luni.



Avertisment! Pericol de electrocutare!

- În timpul curățării, aparatul trebuie să fie deconectat de la sursa de alimentare cu energie electrică. Înainte de a curăța aparatul, opriți-l și scoateți ștecărul din priză sau întrerupeți circuitul electric general al locuinței.

Important!

- Înainte de curățarea aparatului, scoateți alimentele. Depozitați-le într-un loc răcoros și acoperiți-le bine.
- Nu curățați aparatul cu un dispozitiv de curățare cu abur. Se poate acumula umezeală în componentele electrice.
- Aburii fierbinți pot deteriora componentele din plastic.
- Uleiurile eterice și solvenții organici (sucul de lămâie sau sucul din coaja de portocală, acidul butiric, substanțele de curățat care conțin acid acetic) pot ataca elementele din plastic ale aparatului. Nu lăsați substanțe de acest tip să intre în contact cu piesele aparatului.
- Nu folosiți substanțe de curățat abrazive.
- Curățați aparatul și accesoriile interne cu o lavetă și apă caldă. Puteți folosi detergenți de vase disponibili în comerț.
- După ce curățați aparatul, clătiți-l cu apă curată și ștergeți-l cu o lavetă uscată.
- Acumularea de praf pe elementele condensatorului poate crește consumul de energie electrică; curățați temeinic condensatorul situat în spatele aparatului, o dată pe an, cu o perie moale sau cu un aspirator.
- Dacă orificiile de scurgere sunt înfundate, destupați-le cu ajutorul tije de culoare verde. Utilizarea obiectelor ascuțite poate duce la deteriorarea aparatului.
- După ce toate componentele sunt din nou uscate, puteți repune aparatul în funcțiune.

Dezghetarea

Motivul dezghetării

- Umezeala provenită din alimente sau din aerul care pătrunde în aparat în urma deschiderii ușilor poate duce la formarea unui strat de gheață în interiorul aparatului. Atunci când stratul de gheață este gros, performanța de răcire a aparatului este scăzută. Atunci când grosimea stratului de gheață depășește 10 mm, dezghetarea este necesară.

Dezghetarea compartimentului pentru alimente proaspete

- Aceasta este controlată în mod automat, nefiind necesară nicio operație în acest sens. Apa rezultată în urma dezghetării ajunge într-o tava de colectare a apei. Apa din tava de colectare trebuie îndepărtată, iar interiorul frigiderului trebuie curățat după dezghetare.

Avertisment! Este necesar să ridicați tava de colectarea a apei înainte de a o scoate.

Avertisment! Pentru oprirea aparatului înainte de dezghețare, rotiți regulatorul de temperatură la poziția „0”.

Important! Vă recomandăm să dezghețați aparatul cel puțin o dată pe lună. În cazul în care, în timpul utilizării, ușa este deschisă frecvent sau aparatul este folosit în condiții de umiditate extremă, vă recomandăm să dezghețați aparatul o dată la două săptămâni.

XIII. REMEDIEREA PROBLEMELOR

În cazul în care aveți probleme cu aparatul sau vă preocupă faptul că acesta nu funcționează corect, puteți efectua unele verificări simple înainte de a apela la asistență tehnică specializată.

Avertisment! Nu încercați să reparați aparatul pe cont propriu. Dacă problema persistă după ce ați efectuat verificările menționate mai jos, contactați un electrician calificat, un tehnician autorizat sau magazinul de unde ați achiziționat produsul.

Înainte de a remedia defecțiunile, scoateți ștecărul din priză.

PROBLEMĂ	CAUZĂ(E) POSIBILĂ(E)	SOLUȚIE
Aparatul nu funcționează.	Aparatul nu este pornit.	Porniți aparatul.
	Ștecărul cablului de alimentare nu a fost introdus în priză sau a ieșit din priză.	Introduceți ștecărul în priză.
	Siguranța s-a ars sau este defectă.	Verificați siguranța și, dacă este necesar, înlocuiți-o.
	Priza este defectă.	Defecțiunile sursei de alimentare cu energie electrică trebuie remediate de către un electrician.
Aparatul răcește prea mult.	Temperatura setată este prea scăzută.	Rotiți temporar butonul regulatorului către o poziție inferioară.
Alimentele sunt prea calde.	Temperatura nu este reglată corect.	Vă rugăm să citiți capitolul privind panoul de comandă.
	Ușa a fost lăsată deschisă pentru o perioadă îndelungată.	Nu țineți ușa deschisă mai mult decât este necesar.
	În ultimele 24 de ore, au fost introduse în aparat alimente calde în cantitate mare.	Rotiți temporar butonul regulatorului către o poziție superioară.
	Aparatul se află lângă o sursă de căldură.	Vă rugăm să consultați capitolul privind instalarea aparatului.
Lampa cu LED din interior nu funcționează.	Lampa cu LED este defectă.	Vă rugăm să citiți capitolul privind curățarea și întreținerea.
Se formează multă gheață, chiar și pe garnitura ușii.	Garnitura ușii nu etanșează corespunzător (probabil ca rezultat al inversării sensului de deschidere a ușii).	Încălziți cu grijă secțiunile neetanșabile ale garniturii ușii, cu ajutorul unui uscător de păr (la o temperatură nu foarte ridicată). În același timp, modelați garnitura încălzită, astfel încât aceasta să fie poziționată corect.

Zgomote neobișnuite.	Aparatul nu este stabil.	Reglați picioarele aparatului.
	Aparatul atinge peretele sau alte obiecte.	Mutați puțin aparatul.
	O componentă (de exemplu o conductă a aparatului) atinge o altă piesă a aparatului sau peretele.	Dacă este necesar, îndoțiți cu atenție componenta, astfel încât aceasta să nu mai atingă nimic.
Compresorul nu pornește imediat după modificarea setării temperaturii.	Acest lucru este normal, nu a apărut nicio defecțiune.	Compresorul va porni după un anumit timp.
Observați prezența apei pe podea sau pe rafturile de depozitare.	Orificiul de scurgere a apei este obturat.	Consultați secțiunea referitoare la curățare și întreținere.

SERVICE ȘI ASISTENȚĂ PENTRU CLIEȚI

Utilizați numai piese de schimb originale.

Când contactați centrul nostru de service autorizat, asigurați-vă că aveți la îndemână următoarele informații: Denumirea modelului și numărul de serie.

Informațiile pot fi găsite pe plăcuța cu date tehnice. Acestea pot suferi modificări fără o notificare prealabilă.

DATE TEHNICE

Informațiile tehnice se află pe plăcuța cu date tehnice a aparatului și pe eticheta energetică.

Codul QR de pe eticheta energetică furnizată împreună cu aparatul oferă un link web către informațiile din baza de date EPREL cu privire la performanțele aparatului.

Păstrați eticheta energetică pentru consultări ulterioare, împreună cu manualul de utilizare și cu toate celelalte documente furnizate împreună cu acest aparat.

De asemenea, puteți găsi aceleași informații în baza de date EPREL, folosind link-ul <https://eprel.ec.europa.eu> și denumirea modelului o găsiți pe plăcuța cu date tehnice a aparatului.

Pentru a accesa informațiile despre produsul dvs. în portalul EPREL, puteți scana codurile de mai jos:



Vă mulțumim pentru achiziționarea acestui produs! Dacă aveți nevoie de asistență în ceea ce privește produsul dumneavoastră, vizitați site-ul nostru web utilizând linkurile de mai jos:

Manuale de utilizare: <https://www.heinner.ro>

Informații referitoare la service: <https://www.heinner.ro>



MASURI PENTRU PROTECTIA MEDIULUI

Va informam ca persoanele fizice au urmatoarele obligatii prin legislatia specifica privind protectia mediului si regimul deseurilor:

- Deseurile de echipamente electrice si electronice (DEEE), pot contine substante periculoase pentru mediu si sanatatea umana. Conform OUG 5/2015, exista obligativitatea predarii acestora, pentru tratarea corespunzatoare si valorificarea componentelor reciclabile. Societatea Network One Distribution S.R.L. este platitoare de taxa de " timbru verde" pentru fiecare Echipament Electric si Electronic (EEE) pe care il pune pe piata. Acest cost asigura tratarea ulterioara a echipamentelor uzate colectate. Din acest motiv, odata ce devine deseu, produsul EEE poate fi predat gratuit operatorului Dvs. de salubritate, la magazine atunci cand achizitionati alt echipament similar, sistemul "unul la unu "sau la punctul de colectare organizat de Primaria Sectorului / localitatii Dvs.
- Simbolul (marcajul) aplicat produselor, care indica faptul ca deseurile DEEE, bateriile si acumulatorii - fac obiectul unei colectari separate, il reprezinta o pubela barata cu o cruce.



Aceste masuri vor ajuta la protejarea mediului

Societatea Network One Distribution S.R.L. este inregistrata in Registrul de punere pe piata a echipamentelor electrice si electronice, avand numarul de inregistrare: RO-2016-03-EEE-0201-IV. De asemenea, au fost intocmite si sunt gestionate: Registrul de Retragere EEE si Registrul de Rechemare EEE, in conformitate cu HG 322/2013. Totodata societatea este inregistrata in Registrul de punere pe piata a bateriilor, avand numarul de inregistrare: RO-2011-03-B&A-0283.

Conformitatea cu directiva RoHS: Produsul pe care l-ați cumpărat este conform cu Directiva RoHS UE (2011/65/UE). Nu conține materialele dăunătoare și interzise specificate în Directivă.

Va multumim ca participati alaturi de noi la protejarea mediului si a sanatatii umane!



HEINNER este marcă înregistrată a companiei **Network One Distribution SRL**. Celelalte branduri și denumirile produselor sunt mărci de comerț sau mărci de comerț înregistrate ale respectivilor deținători.

Nicio parte a specificațiilor nu poate fi reprodusă sub nicio formă și prin niciun mijloc, nici utilizată pentru obținerea unor derivate precum traduceri, transformări sau adaptări, fără consimțământul prealabil al companiei NETWORK ONE DISTRIBUTION.

Copyright © 2013 Network One Distribution. Toate drepturile rezervate.

www.heinner.com, <http://www.nod.ro>
<http://www.heinner.com>, <http://www.nod.ro>



Acest produs este proiectat și realizat în conformitate cu standardele și normele Comunității Europene.

Importator: **Network One Distribution**
Str. Marcel Iancu, nr. 3-5, București, România
Tel: +40 21 211 18 56, www.heinner.com, www.nod.ro

HEINNER

ХЛАДИЛНИК

Модел:

HF-HS94E++/HF-HS94SE++



- Хладилник
- Енергиен клас: E
- Общ обем: 94 литра

Благодарим Ви, че избрахте този продукт!

I. ВЪВЕДЕНИЕ

Моля прочетете внимателно инструкциите и запазете наръчника за бъдещи справки.

Този наръчник има за цел да Ви предостави всички необходими инструкции по отношение на инсталирането, използването и поддържането на уреда. Преди инсталиране и използване на уреда, с цел правилна и безопасна употреба на уреда, моля прочетете внимателно този наръчник с инструкции.

II. СЪДЪРЖАНИЕ НА ВАШИЯ ПАКЕТ



- **Хладилник**
- **Наръчник за употреба**
- **Гаранционна карта**

III. ПРЕДУПРЕЖДЕНИЯ ОТНОСНО БЕЗОПАСНОСТТА

За Вашата безопасност и за правилна употреба, преди да инсталирате и използвате устройството за първи път, прочетете внимателно този наръчник за потребителя, включително препоръките и предупрежденията. За да се избегнат излишни грешки и злополуки е много важно да се уверите, че всички хора, които използват устройството са запознати с начина на експлоатация и мерките за безопасност. Запазете тези инструкции и се уверете, че ще останат заедно с уреда, ако той бъде преместен или продаден, така че всеки, който го използва в срок на неговата експлоатация да бъде добре информиран във връзка с неговата употреба и с мерките за сигурност.

За безопасност на живота и имуществото, спазвайте разпоредбите в този наръчник за потребителя, тъй като производителя не носи отговорност за щетите причинени поради пропуски.

Безопасност за деца и други уязвими лица

- Съгласно стандарт EN: Уредът може да се използва от деца на възраст най-малко 8 години и от лица с намалени физически, сетивни или умствени способности, или с липса на достатъчен опит и познания, само ако са под наблюдение или са получили указания във връзка с използването на уреда по безопасен начин и ако разбират опасностите, които могат да възникнат при използване на уреда. Децата нямат право да си играят с уреда. Почистването и поддръжката не трябва да се извършват от деца, които не са под наблюдение.
- Децата на възраст над 3 години имат право да поставят и изваждат храни от хладилните уреди.
- Съгласно стандарт IEC: Уредът не е предназначен за употреба от лица (включително деца), които имат физически, сетивни или умствени затруднения или които нямат необходимите познания и опит, освен ако се намират под наблюдение или са обучени как да използват уреда от страна на лице, което отговаря за тяхната безопасност.
- Децата трябва да бъдат под наблюдение, така че да не си играят с уреда.
- Не оставяйте опаковките на достъпни места за деца. Опасност от задушаване.
- За да избегнете ситуации, в които децата могат да пострадат от токов удар или да се затворят вътре в устройството, преди да го изхвърлите, изключете щепсела от контакта, отрежете хранящия кабел (възможно най-близо до устройството) и премахнете вратата на уреда.
- Ако това устройство (което е снабдено с магнитна система за затваряне) заменя по-стар уред, снабден с пружинно затваряне (клипс) на вратата или на капака, преди да изхвърлите старото устройство се уверете, че пружинното затваряне не може да се използва повече. По този начин децата не могат да останат блокирани вътре.

Общи мерки за безопасност

ПРЕДУПРЕЖДЕНИЕ! Този уред е предназначен за използване в жилища и други подобни помещения:

- кухни на персонала в магазини, офиси и други работни среди;
- в домакинствата и от клиенти на хотели, мотели и други жилищни среди;
- среди от тип пансион с предлагана закуска;
- дейности от вида на кетъринг и доставки на едро.

ПРЕДУПРЕЖДЕНИЕ! Не съхранявайте в това устройство взривни вещества, като аерозолни спрейове със запалима течност.

ПРЕДУПРЕЖДЕНИЕ! Ако захранващият кабел е повреден, той трябва да се подмени от производителя, сервизния персонал или от лица с подобна квалификация, за да се избегнат евентуални опасности.

ПРЕДУПРЕЖДЕНИЕ! Уверете се, че отворите за проветрение върху корпуса на уреда или върху неговото тяло не са запушени.

ПРЕДУПРЕЖДЕНИЕ! Не използвайте механични устройства или други средства за ускоряване на процеса за размразяване освен тези, които са препоръчани от производителя.

ПРЕДУПРЕЖДЕНИЕ! Не повреждайте мрежата на хладилния агент.


ПРЕДУПРЕЖДЕНИЕ! Не използвайте електрически уреди на местата за съхраняване на храни в този уред, освен ако са от типа на тези, които се препоръчват от производителя.

ПРЕДУПРЕЖДЕНИЕ! Хладилният агент и изолационният газ са запалими. Елиминирайте уреда само чрез депониране в оторизиран център за елиминиране на отпадъци. Не излагайте уреда на огън.

ПРЕДУПРЕЖДЕНИЕ! Когато позиционирате уреда, уверете се, че не сте смачкали или повредили захранващия кабел.

ПРЕДУПРЕЖДЕНИЕ! Не поставяйте зад уреда разклонители за контакт или преносими източници на захранване.

ПРЕДУПРЕЖДЕНИЕ! Опаковайте храните в торбички и поставете течностите в бутилки или в покрити съдове, преди да ги поставите в хладилника, за да се избегне замърсяването на вътрешните компоненти на уреда.

Символът  предупреждава за това, че хладилният агент и изолиращият газ са запалими.



ВНИМАНИЕ! Опасност от пожар!

Ако охладителната верига е повредена:

- Избягвайте употребата на открит пламък и източници за запалване.
- Проветрете добре стаята, в която се намира устройството.

Смяна на крушки

ПРЕДУПРЕЖДЕНИЕ - Крушките не трябва да се сменят от потребителя! Ако крушките се повредят, обърнете се към специализиран сервиз. Това предупреждение е валидно само за хладилници, оборудвани с осветителни лампи.

Хладилният агент

Хладилната верига на устройството съдържа охладителен агент R600a (изобутан), природен газ с висока степен на съвместимост с околната среда, но запалим. По време на транспортирането и монтажа на устройството се уверете, че нито един от компонентите на хладилната верига не е повреден. Хладилният агент (R600a) е запалим.

ПРЕДУПРЕЖДЕНИЕ! Хладилниците съдържат хладилен агент и изолационни газове. Хладилният агент и газовете трябва да бъдат обезвредени по съответстващ начин, защото могат да предизвикат очни наранявания или могат да се запалят. Преди обезвреждане, уверете се, че системата от тръбопроводи на охлаждащия кръг не е повредена.

Ако охладителната верига е повредена:

- Избягвайте употребата на открит пламък и източници за запалване.
- Проветрете добре стаята, в която се намира устройството.

- Всякаква промяна на спецификациите или на продукта е опасна.

- Всяка повреда на захранващият кабел може да създаде риск от късо съединение, пожар или токов удар.

Електрическа безопасност

1. Не удължавайте захранващият кабел.
2. Уверете се, че щепсела не е смачкан или повреден. В случай, че захранващият кабел е смачкан или повреден, той може да прегрее и да причини пожар.
3. Уверете се, че имате достъп до щепсела на устройството.
4. Не дърпайте захранващият кабел.
5. Ако контакта, в който трябва да се включи щепсела е разхлабен, не включвайте щепсела в него. Съществува риск от токов удар и пожар.
6. Не употребявайте устройството без капак на лампата за вътрешно осветление.
7. Уредът може да се захранва само от еднофазна променлива електрическа верига, от 220-240V / 50Hz. Ако промените в напрежението в зоната, в която живее потребителят, не попадат в границите на диапазона на напрежение по-горе, за безопасност, използвайте автоматичен регулатор на напрежението AC с мощност по-голяма от 350 W. Уредът трябва да се захранва от отделен контакт, а не от контакт, към който са свързани и други електрически уреди. Щепселът трябва да е съвместим с контакта за заземяване.

IV. ЕЖЕДНЕВНА УПОТРЕБА

- Не съхранявайте газове или запалими течности в устройството; съществува риск от експлозия.
- Не използвайте електрически устройства във вътрешността на уреда (например електрически устройства за правене на сладолед, миксери и др.).
- Когато го изключвате от контакта, винаги изваждайте щепсела от контакта, не дърпайте кабела.
- Не поставяйте горещи предмети върху пластмасовите компоненти на устройството.
- Не поставяйте храни точно до отвора за извеждане на въздух, който се намира на задната стена от вътрешността на уреда.
- Съхранявайте опакованите замразени храни в съответствие с инструкциите на производителя на замразените храни.
- Спазвайте стриктно препоръките за съхранение от страна на производителя на това устройство. Вижте съответните указания.
- Не съхранявайте газирани напитки във фризера, защото се създава налягане върху съдовете, които могат да експлодират, което води до повреди на устройството.
- Замразените храни могат да предизвикат измръзване, ако се консумират директно от фризера.
- Не излагайте устройството на пряка слънчева светлина.
- Дръжте запалени свещи, лампи и други предмети с отворен пламък възможно най-далече от устройството, така че то да не се запали.
- Устройството е предназначено за съхранение на хранителни продукти и/или напитки в обикновено жилище, както е обяснено в този наръчник за потребителя. Устройството е тежко. Внимавайте, когато го премествате.
- Не изваждайте и не докосвайте предмети от фризера, ако ръцете Ви са влажни / мокри, защото това може да причини увреждания на кожата или измръзване.
- Никога не използвайте основата, чекмеджетата, вратите и др., за да се качвате върху тях или като подложка.
- Не замразявайте повторно размразени храни.
- Не яжте сладолед или ледени кубчета директно от фризера, защото могат да причинят измръзване на устата или устните.
- За да предотвратите падане на предмети и причиняване на телесни наранявания или повреждане на уреда, не претоварвайте рафтовете върху вратата и не поставяйте твърде много храни в контейнера за плодове и зеленчуци.
- Този хладилен уред не е предназначен за използване като вграден уред.
- Този хладилен уред не е подходящ за замразяване на храни.

V. ПОЧИСТВАНЕ И ПОДДРЪЖКА

- Преди мерките за поддръжка, изключете устройството и извадете щепсела от контакта.
- Не почиствайте устройството с метални предмети, почистващи уреди на пара, етерични масла, органични разтворители или абразивни прахове.
- Не използвайте остри предмети за отстраняване на леда от устройството. Използвайте пластмасова стъргалка.

VI. ИНСТАЛИРАНЕ

- За свързване на уреда към източник на захранване с електроенергия, следвайте внимателно инструкциите от настоящия наръчник.
- Разопакувайте устройството и проверете за повреди.
- Ако уреда е повреден, не го свързвайте към източника за захранване. Ако устройството е повредено, незабавно съобщете това на търговеца, от който сте го закупили. В такъв случай запазете опаковката.
- Препоръчваме Ви да изчакате най-малко четири часа, преди да свържете устройството към електрическата мрежа, за да може маслото да има време да се върне в компресора.
- Въздухът трябва да може да се движи свободно около устройството. Без тази вентилация, уреда може да прегрее. За да получите подходяща вентилация спазвайте инструкциите за инсталиране.
- Задната страна на продукта не трябва да се намира твърде близо до стената, за да се предотврати контакта или захващането на топли компоненти (компресор, кондензатор). За предотвратяване на риска от възникване на пожар, следвайте инструкциите за инсталиране.
- Не поставяйте устройството близо до радиатори или готварски печки.
- Уверете се, че имате достъп до щепсела, след инсталиране на устройството.

VII. РЕМОНТИ И СПЕСТЯВАНЕ НА ЕЛЕКТРОЕНЕРГИЯ

Ремонти

- Електрическата работа за ремонтване на уреда трябва да се извършва от квалифициран електротехник или от специализиран персонал.
- Продуктът трябва да бъде ремонтиран от оторизиран сервизен център, като се използват само оригинални резервни части.

Ако уредът е оборудван със система "Frost Free".

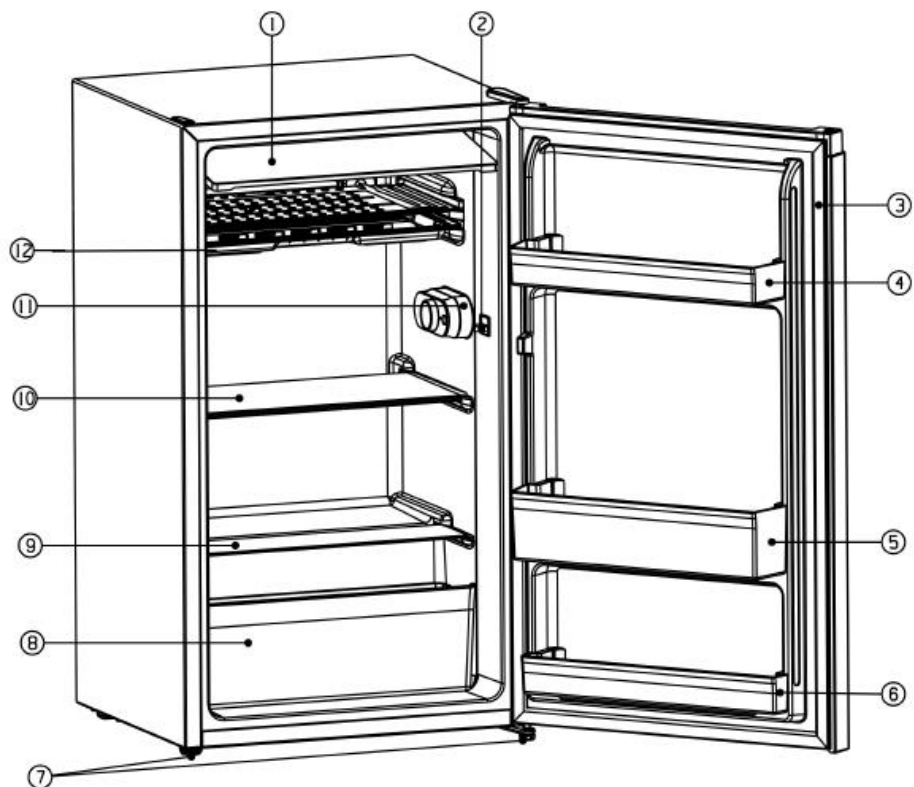
Ако уредът е оборудван с хладилна камера.

Съвети за икономия на електроенергия

Препоръчваме Ви да следвате съветите по-долу с оглед икономия на електроенергия:

- За икономия на електроенергия, моля не оставяйте вратата отворена за дълго време.
- Уверете се, че уредът не е инсталиран в близост до източници на топлина (пряка слънчева светлина, електрическа или газова фурна и др.).
- Не настройвайте температурата на по-ниско ниво от необходимото.
- Не съхранявайте в уреда топла храна или течности, които се изпаряват.
- Инсталирайте уреда в добре проветрено помещение, с ниска относителна влажност. Моля вижте главата относно инсталацията на уреда.
- Ако скицата Ви показва правилната комбинация за чекмеджетата и рафтовете, не коригирайте комбинацията, ще доведе до по-висок разход на енергия.

VIII. ОПИСАНИЕ НА ПРОДУКТА



1. Накляща се врата	7. Подпорно краче
2. Светлинен комутатор	8. Чекмедже за плодове и зеленчуци
3. Уплътнение на вратата	9. Капак на отделението за плодове и зеленчуци
4. Горен рафт	10. Стъклен рафт
5. Среден рафт	11. Кутия на термостата
6. Долен рафт	12. Тава на изпарителя

Забележка:

- Поради постоянните промени, извършени върху продуктите, Вашият уред може да бъде малко по-различен от този, описан в този ръчник за употреба, но функциите и начинът на употреба си остават същите.
- За да бъде този продукт възможно най-ефективен, моля, поставете рафтовете, чекмеджетата и кошниците в позициите, които са показани в изображението по-горе.

IX. ИНСТАЛИРАНЕ

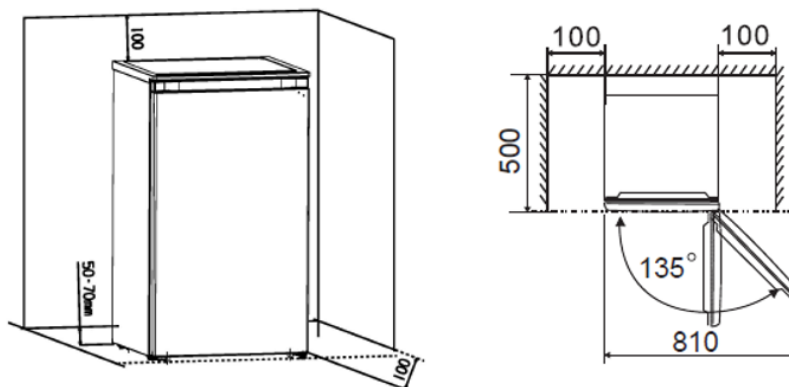
Почистване преди употреба

Преди да използвате уреда за първи път, измийте вътрешната част и всички вътрешни аксесоари с леко топла вода и с неутрален препарат за миене, за да отстраните специфичната миризма на нов продукт, след това изсушете ги добре.

Важно! Не използвайте абразивни препарати за миене или прахове, защото ще повредят повърхностите.

Важно! Трябва да се осигури добра вентилация около хладилника за улесняване на разсейването на топлината, за по-висока ефективност на функционирането и за ниска консумация на електроенергия. За тази цел трябва да оставите достатъчно свободно пространство около хладилника. Препоръчваме Ви да оставите разстояние от 50-70 мм между задната страна на хладилника и стената, най-малко 100 мм от двете страни, разстояние над 100 мм от горната страна до тавана, както и свободно пространство отпред, което да позволява отваряне на вратите на 135°.

Устройствата не трябва да бъдат изложени на дъжд. Трябва да се позволи движението на достатъчно количество въздух в долната задна част на устройството, тъй като малкият въздушен поток може да влоши ефективността. Вградените приложения трябва да бъдат поставени далече от източници на топлина като радиатори или директна слънчева светлина.



Позиция за инсталиране

Предупреждение! Преди монтажа, прочетете внимателно инструкциите относно Вашата безопасност и правилното функциониране на устройството.

- Поставете устройството далече от източници на топлина като печки, радиатори, директна слънчева светлина и др.
- Максимална ефективност и сигурност се гарантират чрез поддържане на правилна температура във вътрешността, според класа, от който е устройството, както е посочено в листа с характеристиките.
- Този уред се представя добре от N до T. Уредът може да не работи правилно, ако е оставен за по-дълго време при температура над или под посочения диапазон.

Климатичен клас	Температура на помещението
SN	от +10 °C до +32 °C
N	от +16 °C до +32 °C
ST	от +16 °C до 38 °C
T	от +16 °C до 43 °C

- Устройствата не трябва да бъдат изложени на дъжд. Трябва да се позволи движението на достатъчно количество въздух в долната задна част на устройството, тъй като малкият въздушен поток може да влоши ефективността. Вградените приложения трябва да бъдат поставени далече от източници на топлина като радиатори или директна слънчева светлина.

Нивелиране

Този уред трябва да бъде поставен на равна повърхност, за да се отстранят вибрациите. За да нивелирате устройството, то трябва да стои вертикално и двете устройства за регулиране да бъдат изцяло в контакт с пода. Също така, можете да регулирате нивото чрез развиване на подходящо ниво на предното устройство за регулиране (с пръсти или с подходящ ключ).

Свързване към електрическата мрежа

Предупреждение! Всяка електрическа дейност, необходима за инсталиране на това устройство, трябва да бъде извършена от квалифицирано или компетентно лице.

Предупреждение! Това устройство трябва да бъде заземено. Производителят не поема никаква отговорност, ако тази мярка за безопасност не е спазена.

Обръщане на посоката на отваряне на вратата

Посоката на отваряне на вратата може да бъде обърната, като се преминава от отваряне откъм дясната страна (както е монтиран уредът фабрично) към отваряне откъм лявата страна, ако мястото, където е поставен уредът, изисква това.

Имате нужда от следните инструменти:

1. Отвертка с вътрешен шестостен 8 мм

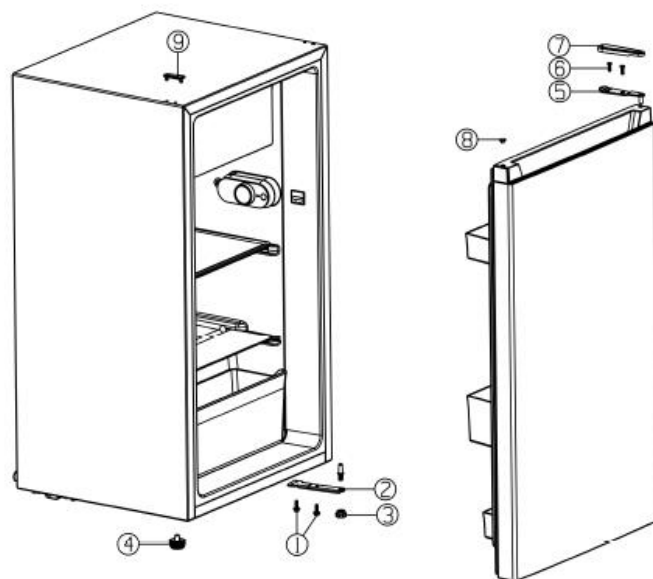


2. Кръстатa отвертка



3. Шпакла или права отвертка





1. Винт	6. Винт
2. Долна панта	7. Капачка горна панта
3. Долно регулируемо краче	8. Втулка
4. Горно регулируемо краче	9. Тапа
5. Горна панта	

Преди да започнете, за да имате достъп до основата на уреда, поставете го на задната страна върху парче от полистирол или от подобен материал, за да избегнете повреждането на охлаждащите тръби от задната страна на уреда.

- Отворете вратата на уреда, след което разглобете и извадете всички аксесоари вътре в нея.
- Извадете капачката на горната панта (7).
- Извадете двата винта (6), с които е закрепена горната панта (5) в дясната страна на уреда.
- Внимателно повдигнете вратата и я поставете на мека повърхност, за да се предотврати нейното надраскване.
- Извадете тапата (9) и я преместете в непокрития отвор от дясната страна на уреда. Уверете се, че сте поставили здраво тапата в отвора.
- Извадете двата винта (1), с които е закрепена долната панта (2) в дясната страна на уреда.
- Извадете регулируемото краче (4) и го преместете в дясната страна, както е показано на съседната фигура.
- Фиксирайте вратата в новото положение, като се уверите, че щифтът влиза във втулката от долната страна на рамката (в отвора).

9. Фиксирайте в лявата страна на уреда горната панта (5), извадена предварително при стъпка 6. Уверете се, че щифтът влиза във втулката в горната страна на рамката (в отвора).
10. Фиксирайте временно долната панта (2) от лявата страна и не затягайте винтовете, докато вратата не бъде затворена и изправена.
11. Вкарайте тапата (9) в откритите отвори (от дясната страна).
12. Поставете обратно на място капачката на горната панта (7).
13. Поставете уреда отново изправен.
14. Отворете вратата на уреда и поставете обратно на място всички аксесоари.

Обезвреждане (изхвърляне) на уреда

Забранява се изхвърлянето на този уред заедно с битовите отпадъци.

Материалите, маркирани със символа за рециклиране, могат да се рециклират. Изхвърляйте опаковките в специални контейнери, предназначени за рециклиране.

Преди изхвърляне на уреда

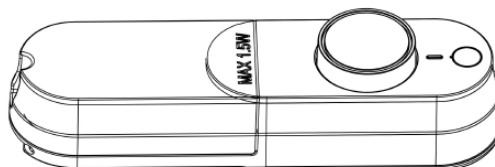
- Извадете щепсела от източника за запазване на електроенергия.
- Отрежете захранващия кабел и изхвърлете го заедно със щепсела.

Предупреждение! Хладилниците съдържат хладилен агент и изолационни газове. Хладилният агент и газовете трябва да бъдат обезвредени по съответстващ начин, защото могат да предизвикат очни наранявания или могат да се запалят. Преди обезвреждане, уверете се, че системата от тръбопроводи на охлаждащия кръг не е повредена.

X. НАСТРОЙКА НА ТЕМПЕРАТУРАТА

Контролен панел

- Включете щепсела на захранващия кабел в контакт със заземяване. Когато вратата на хладилника е отворена, светва крушката от вътрешната част на уреда.
- Бутонът за регулиране на температурата е разположен в дясната страна на хладилното отделение.



Настройка „0“ означава: изключено

Завъртете бутона по посока на часовниковите стрелки, за да включите уреда.

Настройка „1“ означава:

Настройка за най-високата температура.

Настройка „7“ (края на интервала за регулиране) означава:

Настройка за най-ниската температура.

Важно: За нормална работа, препоръчваме ви да изберете настройката „4“. Ако желаете температурата да бъде по-висока или по-ниска, завъртете бутона към по-висока или по-ниска настройка, в зависимост от предпочитанията ви. Ако завъртите бутона към настройка за по-висока температура, можете да спестите повече електроенергия. В противен случай, консумацията на енергия ще бъде по-висока.

ЗАБЕЛЕЖКА: Настройването на висока температура ускорява процеса на разваляне на храната.

За оптимално запазване на храните, най-подходяща е, в общи линии, настройката на средно ниво.

Важно: Високите околни температури (като тези през лятото) и избора на ниска температура (настройка „6“ или „7“) могат да предизвикат непрекъснато функциониране на компресора.

Причина: Когато температурата на околната среда е висока, компресорът функционира непрекъснато, за да поддържа ниска температура във вътрешната част на уреда.

Акcesoари

Подвижни рафтове/чекмеджета

- Вашият уред е оборудван с различни рафтове от стъкло, пластмаса или метал; видът и характеристиките на рафтовете се различават при различните модели.
- Върху стените на хладилника има помощни водачи, така че рафтовете да могат да бъдат поставени според предпочитанията.

Позициониране на рафтовете върху вратата

- За улесняване на складирането на опаковките на храни с различни размери, рафтовете от вратата могат да бъдат позиционирани на различни височини.
- За да извършите тези операции, направете следното: внимателно издърпайте рафта по посока на стрелките, докато излезе, след това позиционирайте го според Вашите предпочитания.

Чекмедже за зеленчуци

- Подходящо е за съхраняване на плодове и зеленчуци.

Шумове по време на функциониране

Следните шумове са характерни за функционирането на хладилните уреди:

Тракания: Всеки път, когато се включва или изключва компресорът, се чува едно тракане.

Бръмчене: По време на функциониране компресорът бръмчи.

Бълбукане: Когато хладилният агент циркулира през тръбите, може да се чува бълбукане или шумолене.

Шумолене: Даже и след изключване на компресора, този шум може да се чува за кратко време.

XI. СЪХРАНЯВАНЕ НА ХРАНИ

Препоръки относно охлаждането на пресните храни

- Не поставяйте горещи храни директно в хладилника или камерата, защото вътрешната температура ще се увеличава, компресорът ще работи повече време и разходът на електроенергия ще се увеличава.
- Покрийте или опаковайте храните, особено ако образуват силни миризми.
- Поставяйте храните по съответстващ начин, така че въздухът да може да циркулира свободно около тях.

Препоръки при охлаждане

- Месо (всички видове): увива се в полиетиленово фолио и се поставя върху стъкления рафт над чекмеджето за плодове и зеленчуци. Проверявайте винаги срока на годност на храните и консумирайте ги в определения от производителя срок.
- Готвена храна, колбаси и др.: трябва да бъдат покрити и могат да бъдат поставени върху всеки рафт.
- Плодове и зеленчуци: съхраняват се в специалното чекмедже.
- Краве масло и сирена: трябва да бъдат поставени в специални съдове, затворени херметически, или да бъдат увити в алуминиево фолио или в полиетиленови торбички, възможно най-плътно затворени.
- Бутилки с прясно мляко: трябва да се затварят плътно и да се съхраняват върху рафтовете на вратата.

Изключване на уреда

Ако уредът следва да бъде изключен за по-дълго време, изпълнете стъпките по-долу, за да се предотврати образуването на плесен.

1. Извадете всички храни от уреда.
2. Извадете щепсела от източника за захранване с електроенергия.
3. Почистете и подсушете добре вътрешната част.
4. Уверете се, че вратите са претворени, за да се позволи циркулация на въздуха.

За да избегнете заразяването на храни, спазвайте инструкциите по-долу.

- Ако вратата на уреда е оставена отворена за дълъг период от време, температурата в отделенията на уреда се увеличава значително.
- Почиствайте периодично повърхностите, които могат да влязат в контакт с храните, както и източващите системи на уреда.
- Съхранявайте суровото месо и прясната риба в подходящи съдове, така че продуктите да не влизат в контакт с други храни.
- Фризерните отделения с две звезди са подходящи за съхранение на предварително замразени храни, за съхранение или приготвяне на сладолед и за производство на кубчета лед.
- Отделенията с една, две и три звезди не са подходящи за замразяване на пресни храни.

Забележка: Моля, съхранявайте храните в подходящите отделения и при препоръчаните температури за съхранение.

Ако хладилният уред ще бъде оставен празен за дълъг период от време, изключете го, размразете го, почистете го, избършете го добре и оставете вратата му отворена, за да се предотврати образуването на мухъл във вътрешността му.

ВНИМАНИЕ! Храната трябва да се опакова в торби, преди да се прибере в хладилника, а течностите трябва да се опаковат в бутилки или затворени контейнери.

Пореден номер	Тип на отделението	Препоръчвана температура за съхранение [°C]	Подходящи храни
1	Охлаждане	+2~+6	Яйцата, готвените храни, пакетирани храни, плодовете и зеленчуците, млечните продукти, сладкишите и напитките не са подходящи за замразяване.
2	(***)*-Замразяване	≤-18	Морските дарове (рибата, скаридите, ракообразните), водните и месните продукти са подходящи за замразяване (препоръчва се тяхното съхранение за 3 месеца; колкото повече е времето за съхранение, толкова повече се губят вкуса и хранителните свойства).
3	***-Замразяване	≤-18	Морските дарове (рибата, скаридите, ракообразните), водните и месните продукти не са подходящи за замразяване (препоръчва се тяхното съхранение за 3 месеца; колкото повече е времето за съхранение, толкова повече се губят вкуса и хранителните свойства).

4	***-Замразяване	≤ -12	Морските дарове (рибата, скаридите, ракообразните), водните и месните продукти не са подходящи за замразяване (препоръчва се тяхното съхранение за 2 месеца; колкото повече е времето за съхранение, толкова повече се губят вкуса и хранителните свойства).
5	*-Замразяване	≤ -6	Морските дарове (рибата, скаридите, ракообразните), водните и месните продукти не са подходящи за замразяване (препоръчва се тяхното съхранение за 1 месеца; колкото повече е времето за съхранение, толкова повече се губят вкуса и хранителните свойства).
6	Без звезди	$-6 \sim \leq 0$	Прясно свинско, говеждо, телешко и пилешко месо, прясна риба, някои преработени и пакетирани храни и др. (препоръчва се да се консумират в същия ден, за предпочитане до 3 дни). Преработени храни, частично пакетирани (храни, които не трябва да се замразяват).
7	Охлаждане	$-2 \sim \leq +3$	Прясно/замразено свинско, говеждо, телешко и пилешко месо, водни продукти и др. (тези храни могат да се съхраняват до 7 дни при температури под 0°C ; в случай на съхранение при температури, които надвишават 0°C , препоръчва се да се консумират в същия ден, за предпочитане до 2 дни) Морски дарове (тези храни могат да се съхраняват до 15 дни при температури под 0°C ; не се препоръчва съхранението им при температури, които надвишават 0°C)
8	Пресни храни	$0 \sim \leq +4$	Прясно свинско, говеждо, телешко и пилешко месо, готвена храна и др. (препоръчва се да се консумират в същия ден, за предпочитане до 3 дни)
9	Вино	$+5 \sim \leq +20$	Червено вино, бяло вино, пенливо вино и др.

XII. ПОЧИСТВАНЕ И РАЗМРАЗЯВАНЕ

По хигиенни причини уредът (включително външните и вътрешните аксесоари) трябва да се почиства редовно, най-малко един път на всеки два месеца.



Внимание! Опасност от пожар!

- Устройството не трябва да бъде включено към електрическата мрежа по време на почистване. Преди почистване спрете уреда и го изключете от контакта или изключете предпазителя или прекъсвача.

Важно!

- Преди почистването на уреда, извадете храната. Поставете ги на хладно място и ги покрийте добре.
- Никога не почиствайте устройството с парочистачка. Може да се събере влага в електрическите компоненти.
- Топлите пари могат да доведат до повреда на електрическите части.
- Етеричните масла и органичните разтворители могат да навредят на пластмасовите части, например ломоновият сок или сок от портокалова кора, маслена киселина, почистващи препарати, които съдържат оцетна киселина. Не допускайте подобни вещества да влизат в контакт с компонентите на устройството.
- Не използвайте абразивни почистващи препарати.
- Почиствайте устройството и вътрешността му с кърпа и топла вода. Могат да се използват търговски перилни препарати за миене на съдове.
- След почистване на уреда, изплакнете с чиста вода и го подсушете със суха кърпа.
- Натрупването на прах в кондензатора повишава разхода на енергия. Почиствайте кондензатора на гърба на устройството веднъж годишно с мека четка или с прахосмукачка.
- Ако отворите за оттичане са запушени, отпушете ги с помощта на зелената пръчка. Използването на остри предмети може да доведе до повреда на уреда.
- След като всички компоненти са сухи, можете да включите устройството да работи.

Размразяване

Причина за размразяване

- Влагата, произхождаща от храните или от въздуха, която прониква в уреда вследствие на отваряне на вратите, може да доведе до образуване на леден слой във вътрешната част на уреда. Когато леденият слой е дебел, охлаждащата мощност на уреда е ниска. Размразяването е наложително, когато дебелината на ледения слой надвишава 10 мм.

Размразяване на отделението за пресни храни

- Това се контролира се автоматично, като не се изисква никаква операция за тази цел. Водата от размразяването стига в тавата за събиране на вода. След размразяване водата от тавата за събиране трябва да се отстрани, а вътрешната част на хладилника трябва да се почисти.

Предупреждение! Необходимо е да повдигнете тавата за събиране на вода, преди да я извадите.

Предупреждение! За да изключите уреда преди размразяване, завъртете терморегулатора на позиция „0”.

Важно! Уредът трябва да бъде размразен поне веднъж месечно. По време на употреба, ако вратата е отваряна често или, ако устройството е било използвано в екстремни влажни условия, съветваме потребителите да го размразяват веднъж на две седмици.

XIII. ОТСТРАНЯВАНЕ НА ПРОБЛЕМИ

Ако имате проблеми с уреда или се притеснявате, че не функционира правилно, може да извършите някои прости проверки, преди да поискате специализирана техническа помощ.

Предупреждение! Не се опитвайте да ремонтирате уреда сами. Ако проблемът продължава след извършване на посочените по-долу проверки, свържете се с квалифициран електротехник, с оторизиран техник или с магазина, откъдето сте закупили продукта.

Преди да отстраните повредите, извадете щепсела от контакта.

ПРОБЛЕМ	ВЪЗМОЖНА(И) ПРИЧИНА(И)	РЕШЕНИЕ
Уредът не работи.	Устройството не е включено.	Включете устройството.
	Щепсела не е включен в контакта или е хлабав.	Поставете щепсела в контакта.
	Предпазителят е изгорял или е повреден.	Проверете предпазителя. Ако е необходимо, сменете го.
	Електрическият контакт е повреден.	Повредите на източника за захранване с електроенергия трябва да се отстраняват от електротехник.
Устройството охлажда прекалено много.	Настроената температура е твърде ниска.	Завъртете временно бутона за регулиране към по-ниска позиция
Храните са твърде топли.	Температурата не е настроена правилно.	Моля, прочетете главата за контролния панел.
	Вратата е била оставена отворена за дълъг период от време.	Не дръжте вратата отворена повече време отколкото е необходимо.
	През последните 24 часа е било поставено в уреда голямо количество топли храни.	Завъртете временно бутона на регулатора към по-горна позиция.
	Уредът се намира до източник на топлина.	Моля, вижте главата за инсталиране на уреда.
Вътрешната светодиодна лампа не работи.	Светодиодната лампа е дефектна.	Моля, прочетете главата за почистване и поддръжка.
Образува се много лед, възможно и по уплътнението на вратата.	Уплътнението на вратата не е плътно (възможно след промяна на посоката на вратата).	Загрейте внимателно местата, където уплътнението на вратата не прилепва, с помощта на сешоар (на не много висока температура). В същото време оформете

		затопленото уплътнение, така че то да прилепне правилно.
Необичайни шумове.	Устройството не е нивелирано.	Регулирайте крачетата на устройството.
	Уредът контактува със стената или с други предмети.	Преместете леко уреда.
	Една компонента (например тръба на уреда) контактува с друга част на уреда или със стената.	Ако е необходимо, сгънете внимателно компонентата, така че да не докосва вече нищо.
Компресорът не се включва веднага след промяна в настройките на температурата.	Това е нормално, няма никаква повреда в устройството.	Компресорът ще се включи след определено време.
Вода на пода или на рафтовете за съхранение.	Дренажния отвор за вода е блокиран.	Прочетете раздел „почистване и поддръжка“.

СЕРВИЗ И ОБСЛУЖВАНЕ НА КЛИЕНТИ

Използвайте само оригинални резервни части.

Когато се свързвате с нашия оторизиран сервизен център, уверете се, че имате под ръка следната информация: Наименование на модела и сериен номер.

Информацията може да бъде намерена на табелката с технически данни. Те подлежат на промяна без предварително уведомление.

ТЕХНИЧЕСКИ ДАННИ

Техническата информация се намира на табелката с технически данни на уреда и на енергийния етикет.

QR кодът на енергийния етикет, предоставен заедно с уреда, предлага уеб връзка към информацията в базата данни на EPREL относно постиженията на уреда.

Запазете енергийния етикет за бъдещи справки, заедно с ръководството за употреба и с всички други документи, предоставени заедно с този уред.

Също така, можете да намерите същата информация в базата данни на EPREL, като използвате връзката <https://eprel.ec.europa.eu> и наименованието на модела и серийния номер на продукта, които можете да намерите на табелката с технически данни на уреда. За достъп до информация за вашия продукт в портала EPREL можете да сканирате кодовете по-долу:



Благодарим ви, че закупихте този продукт! Ако имате нужда от помощ във връзка с вашия продукт, посетете нашия уебсайт, като използвате връзките по-долу:

Получете ръководства за употреба: <https://www.heinner.ro>

Получете информация относно ремонтите: <https://www.heinner.ro>



Изхвърляне на отпадъците по начин, отговорен за околната среда

Можете да помогнете за опазването на околната среда!

Моля спазвайте местните разпоредби: Предайте нефункциониращото електрическо оборудване на център за събиране на отпадъци от електрическо оборудване.



HEINNER е регистрирана марка на компанията **Network One Distribution SRL**. Останалите търговски марки и наименованията на продуктите са търговски марки или регистрирани търговски марки на съответните им притежатели.

Нито една част от спецификациите не може да бъде възпроизвеждана под каквато и да е форма или средство, или използвана за получаване на производни като преводи, трансформации или адаптации, без предварителното съгласие на компанията NETWORK ONE DISTRIBUTION.

Copyright © 2013 Network One Distribution. Всички права запазени.

www.heinner.com, <http://www.nod.ro>

<http://www.heinner.com>, <http://www.nod.ro>



Този продукт е проектиран и произведен в съответствие със стандартите и нормите на Европейската общност.

Вносител: **Network One Distribution**

ул. Марчел Янку № 3-5, Букурещ, Румъния

Tel: +40 21 211 18 56, www.heinner.com, www.nod.ro

HEINNER

HŰTŐSZEKRÉNY

Modell:

HF-HS94E++/HF-HS94SE++



- Hűtőszekrény
- Energiaosztály: E
- Teljes térfogat: 94 L

Köszönjük, hogy ezt a terméket választotta!

I. BEVEZETÉS

Kérjük, figyelmesen olvassa el az utasításokat, és őrizze meg a kézikönyvet későbbi tanulmányozás céljából.

A kézikönyv célja a készülék beszerelésével, használatával és karbantartásával kapcsolatos minden szükséges tudnivalót rendelkezésére bocsátani. A készülék helyes és biztonságos használata érdekében, kérjük, hogy beszerelés és használat előtt olvassa el figyelmesen a használati kézikönyvet.

II. AZ ÖN CSOMAGJÁNAK TARTALMA



- **Hűtőszekrény**
- **Használati utasítás**
- **Garancialevél**

III. BIZTONSÁGI FIGYELMEZTETÉSEK

Az ön biztonsága és a helyes használat érdekében a készülék felállítása és első használata előtt olvassa el figyelmesen a felhasználó kézikönyvét, az ajánlásokkal és figyelmeztetésekkel együtt. A fölösleges tévedések és balesetek elkerülése érdekében fontos meggyőződni arról, hogy minden személy, aki a készüléket használja, ismeri a biztonságos működés módját és a biztonsági intézkedéseket. Őrizze meg ezt a kézikönyvet, és gondoskodjon arról, hogy a készülékkel együtt marad, ha azt elköltöztetnék vagy eladnák, s ily módon bárki használná az élettartama alatt, megfelelőképpen tájékozódhasson a használatáról és a szükséges biztonsági intézkedésekről.

Életének és vagyonának biztonsága érdekében tartsa be a használati kézikönyv előírásait, mivel a mulasztásokból származó károkért a gyártó nem felel.

A gyermekek és más érzékeny személyek biztonsága

- Az EN szabványnak megfelelően: A készüléket 8 év fölötti gyermekek, csökkent fizikai, érzéki vagy szellemi képességekkel, gyakorlattal vagy ismeretekkel rendelkezők csak akkor használhatják, ha felügyelik, vagy felkészítik őket a készülék biztonságos használatára, és ha megértik a készülék használatával járó veszélyeket. Tilos gyermekeknek játszani a készülékkel. A készülék tisztítását és karbantartását nem végezhetik gyermekek felügyelet nélkül.
- A 3 éves kort betöltött gyermekek kivehetnek és betehetnek élelmiszereket a hűtőszekrénybe.
- Az IEC szabványnak megfelelően: A készülék nem használható csökkent értelmi, érzékszervi, vagy fizikai képességű személyek által (gyermekeket is beleértve), vagy olyanok által, akik nem rendelkeznek a kellő mennyiségű tudással és tapasztalattal, csak felügyelet mellett, vagy ha a felügyeletért és a biztonságukért felelős személy megtanította őket a helyes használatra.
- A gyerekek esetében állandó felügyelet szükséges, ne engedje, hogy a készülékkel játsszanak.
- A csomagolást tartsa gyermekektől elzárt helyen. Vigyázat, fulladásveszély!
- Hogy elkerülje a gyerekek bezáródását a készülék belsejébe, vagy áramütés elszenvedését, mielőtt kidobná a készüléket, húzza ki az aljzatból, vágja le az áramellátó kábelt (minél közelebb a készülékhez) és szerelje le a készülék ajtaját.
- Ha ez a mágneses ajtóval ellátott készülék, olyan régi készüléket helyettesít, amelynek ajtója, vagy fedele rugóval (retesszel) működik, mielőtt kidobná, bizonyosodjon meg, hogy a rugós rendszer használhatatlan. Így megelőzi, hogy a gyermekek bezáródjanak az eldobott hűtőszekrénybe.

Általános biztonsági intézkedések

FIGYELMEZTETÉS! Ezt a készüléket lakásokban és más hasonló egységekben való használatra gyártották:

- üzletek, irodák és más munkahelyek személyzetének konyhája;
- háztartási és szállodák, motelek és más hasonló tartózkodási hely típusú környezet;
- reggelit is felszolgáló panzió típusú környezet;
- catering típusú és ehhez hasonló, nem kereskedelmi alkalmazások.

FIGYELMEZTETÉS! Ne tároljon a készülékben robbanó anyagokat, mint például aeroszolos gyúlékony üzemanyagot tartalmazó sprayeket.

FIGYELMEZTETÉS! A veszély elkerülése érdekében, amennyiben a tápkábel sérült, ezt ki kell cseréltetni a gyártó, a gyártó szervizügynöke, vagy hasonló szakképesítéssel rendelkező személy által.

FIGYELMEZTETÉS! Ellenőrizze, hogy a hűtőszekrény szellőzőnyílásai szabadon álljanak.

FIGYELMEZTETÉS! Leolvasztáshoz kizárólag a gyártó által ajánlott módszereket használja, ne használjon gépi vagy más eszközt a leolvasztás gyorsítására.

FIGYELMEZTETÉS! Ne sértse meg a hűtőfolyadék keringési rendszerét.


FIGYELMEZTETÉS! Ne használjon elektromos eszközöket készülék élelmiszertároló rekeszeiben, kivéve, ha azok a gyártó által ajánlott típusba tartoznak.

FIGYELMEZTETÉS! A hűtőanyag és a szigetelőgáz gyúlékony. A készüléket csak hivatalos hulladékgyűjtő központba vigye kiselejtezéskor. Ne égesse el a készüléket.

FIGYELMEZTETÉS! A berendezés elhelyezése során figyeljen arra, hogy a tápkábelt ne nyomja össze és ne rongálja meg.

FIGYELMEZTETÉS! Ne helyezzen a berendezés mögé elosztókat vagy hordozható áramforrásokat.

FIGYELMEZTETÉS! Csomagolja be az élelmiszereket tasakokba, és a folyadékokat palackokba vagy lefedett tárolóedényekbe, mielőtt behelyezné őket a hűtőszekrénybe, hogy elkerülje a szennyeződést a készülék belsejében.

A  szimbólum figyelmeztet arra, hogy a hűtőközeg és a szigetelő gáz gyúlékony.



FIGYELEM! Tűzveszély!

A mélyhűtő körfolyam meghibásodása esetén:

- Kerülje a nyílt láng használatát és a tűzforrásokat.
- Alaposan szellőztesse ki a helyiséget, amelyben a készülék található.

Égők cseréje

FIGYELMEZTETÉS - Az égőket ne a felhasználó cserélje ki! Amennyiben az égők meghibásodnak, cseréjük érdekében forduljon szakképzett személyekhez. Ez a figyelmeztetés csak az égőkkel felszerelt hűtőkre vonatkozik.

Hűtőfolyadék

A készülék hűtőfolyadék rendszere R600a (izobután) hűtőfolyadékot tartalmaz, amely egy természetes gáz, magas szintű környezeti kompatibilitással, de gyúlékony. Győződjön meg, hogy szállítás és felállítás idején a hűtőfolyadék keringési rendszerének egyetlen eleme sem rongálódott meg. A hűtőfolyadék (R600a) gyúlékony.

FIGYELMEZTETÉS! A hűtőszekrények hideghordozó közeget és veszélyes gázakat tartalmaznak. A hideghordozó közeget és a gázakat megfelelő módon kell eltávolítani, mert ezek szemsérüléseket okozhatnak vagy meggyúlhatnak. A készülék mozgatása előtt győződjön meg róla, hogy a hűtőkör csövezete nem sérült.

A mélyhűtő körfolyam meghibásodása esetén:

- Kerülje a nyílt láng használatát és a tűzforrásokat.
- Alaposan szellőztesse ki a helyiséget, amelyben a készülék található.

A készülék jellegzetességeinek bármely megváltoztatása vagy módosítása veszélyes.

A tápkábel bármely megrongálódása rövidzárlatot, tüzet és/vagy áramütést okozhat.

Elektromos biztonság

1. Ne hosszabbítsa meg a tápkábelt.
2. Győződjön meg, hogy a dugó nem zúzódott össze és nem rongálódott meg. Az összezúzott vagy megrongálódott dugó túlhevülhet, és kigyulladhat.
3. Győződjön meg, hogy mindig hozzáférhet a tápkábelhez.
4. Ne rángassa a tápkábelt.
5. Ha meglazult az aljzat, amelybe a dugót be kell dugni, ne használja. Áramütés- és tűzveszély léphet fel.
6. A készüléket ne használja, ha a hűtőteret világító izzólámpa nem működik.
7. A készülék áramellátását egyfázisú váltakozó áramú 220-240V/50Hz-es villamosenergia hálózatról kell biztosítani. Amennyiben a felhasználó lakhelyén a feszültség értéke nem esik a fenti feszültség tartományba, a biztonsági előírásoknak való megfelelés céljából egy automata 350 W-nál nagyobb teljesítményű AC feszültségszabályozó berendezés használatát javasoljuk. A berendezést külön aljzatról kell működtetni, nem olyanról, amelyhez már más elektromos berendezések is csatlakoznak. A dugasznak kompatibilisnek kell lennie a földeléses aljzattal.

IV. MINDENNAPOS HASZNÁLAT

- A készülékben ne tároljon gyúlékony gázokat vagy folyadékokat. Robbanásveszély!
- A készülék belsejében ne használjon elektromos készülékeket (pl. elektromos fagylaltgépet vagy mixert stb.)
- Ha ki akarja húzni a konnektorból, mindig a dugót fogja, ne rángassa a kábelt.
- A készülék műanyag komponensei mellé ne helyezzen forró tárgyakat.
- Ne helyezzen élelmiszereket a légelvezető nyílás közvetlen közelébe, amely a berendezés belsejében, annak hátsó falán található.
- A fagyott élelmiszert az élelmiszergyártó utasításainak megfelelően előcsomagolva tárolja.
- Szigorúan tartsa be a készülék gyártójának a tárolásra vonatkozó ajánlásait. Tanulmányozza a tárolásra vonatkozó utasításokat.
- A mélyhűtőben ne tároljon szénsavas italokat, mivel ez nyomást gyakorol az edényre, amely elrobbanhat, és megrongálhatja a készüléket.
- A fagyasztott élelmiszerek fagyási sérülést okozhatnak, ha közvetlenül a mélyhűtőből kivéve fogyasztja.
- Ne tegye ki a készüléket közvetlen napsugaraknak.
- A gyertyákat, a nyílt lángú lámpákat és egyéb készülékeket tartsa minél távolabb a készüléktől, hogy ne gyúljon meg.
- A készüléket szokványos háztartásban élelmiszerek és/vagy italok tárolására gyártották, amint ezt ez a használati kézikönyv előírja. A készülék súlyos. Vigyázzon, amikor költözteti.
- Ne nyúljon nedves/vizes kézzel a fagyasztott termékekhez, mert fagyégési sebeket, vagy bőrkárosodást szenvedhet.
- Sose ne használja a fiókokat, az ajtókat stb. arra a célra, hogy ráálljon vagy posztamensként.
- A kiolvasztott élelmiszereket ne fagyassza le újra.
- Ne fogyasszon fagylaltot vagy jégkockát közvetlenül a mélyhűtőből, mert előidézhetheti a száj és az ajkak fagyási sérülését.
- A tárgyak leesését, illetve a személyi sérüléseket vagy a berendezés megrongálódását elkerülendő, ne terhelje túl az ajtón található polcokat, továbbá ne helyezzen túl sok élelmiszert a zöldség és gyümölcs tárolására alkalmas fiókokba.
- Ez a hűtőkészülék nem beépített készülékként használható.
- Ez a hűtőkészülék nem alkalmas élelmiszerek fagyasztására

V. TISZTÍTÁS ÉS KARBANTARTÁS

- A karbantartási műveletek előtt kapcsolja ki a készüléket és húzza ki az aljzatból a dugót.
- Ne tisztítsa a készüléket fémtárgyakkal, gőzzel működő tisztító készülékekkel, illó olajokkal, szerves oldószerekkel vagy súrló hatású porokkal.
- A jégnek a készülékről való eltávolításához ne használjon éles tárgyakat. Használjon műanyagkaparót.

VI. BESZERELÉS

- A berendezésnek az elektromos hálózatra való csatlakoztatása során szigorúan kövesse jelen kézikönyv erre vonatkozó utasításait.
- Csomagolja ki a készüléket, ellenőrizze, hogy nem sérült-e a szállítás során.
- Ha a készülék sérült, ne csatlakoztassa az áramforráshoz. Ha a készülék sérült, az esetleges sérüléseket jelentse azonnal a forgalmazónak, ahonnan a készüléket vásárolta. Ebben az esetben őrizze meg a csomagolást.
- Javasoljuk, hogy a készülék villamos hálózatra csatlakoztatása előtt várjon legalább négy órát, hogy az olaj folyjon vissza a kompresszorba.
- A készülék körül a levegőnek szabadon kell keringenie; szellőzés hiányában a készülék túlhevülhet. A megfelelő szellőzés érdekében tartsa be a szerelési utasításokat.
- A berendezés hátsó része ne legyen túlságosan közel a falhoz, hogy elkerülhető legyen az érintkezés a felforrósodó alkatrészekkel, illetve ezek becsípődése (kompresszor, kondenzátor). A balesetek kockázatának elkerülése érdekében kövesse figyelmesen a berendezés üzembe helyezésére vonatkozó utasításokat.
- A készüléket ne helyezze fűtőtestek vagy tűzhelyek közelébe.
- Győződjön meg, hogy a dugóhoz a készülék beszerelését követően is hozzá lehet férni.

VII. JAVÍTÁS ÉS ENERGIATAKARÉKOSSÁG

A berendezés javítása

- A készülék javításával kapcsolatos elektromos munkákat szakképzett villanyszerelőnek vagy szakmailag illetékes személynek kell elvégeznie.
- A készüléket engedélyezett szervizben kell javíttatni, és kizárólag eredeti pótalkatrészeket kell használni.

Ha a készülék rendelkezik Frost Free rendszerrel.

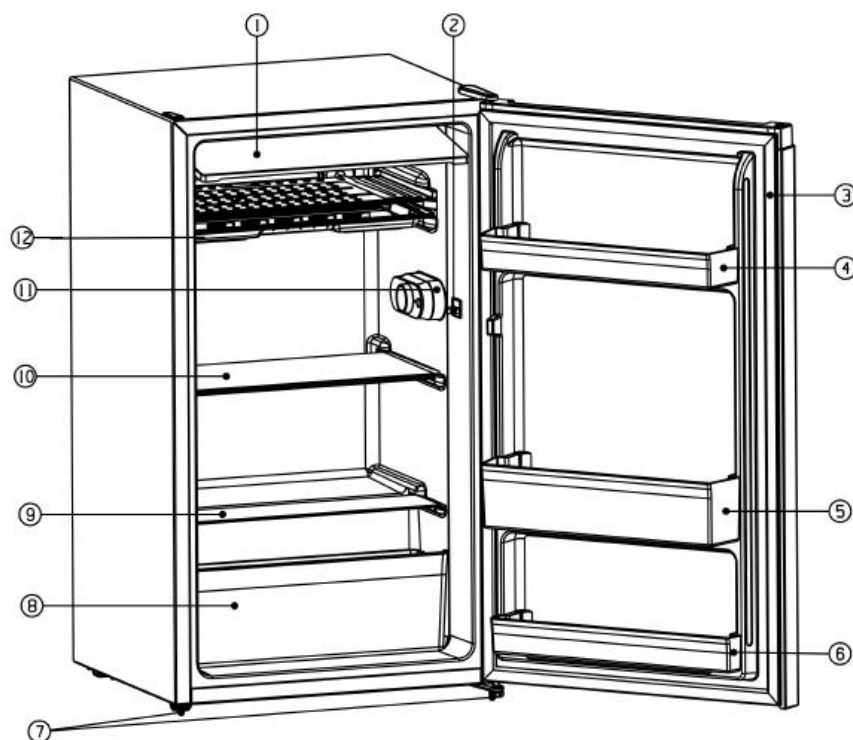
Ha a készülék rendelkezik fagyasztótérrel.

Energiatakarékosági tanácsok

Kövesse az alábbi tanácsokat az energiatakarékosság érdekében:

- Az energiatakarékos üzemmód megőrzése miatt kérjük, ne hagyja sok ideig nyitva a készülék ajtóit.
- Győződjön meg róla, hogy a készülék nem valamely hőforrás közelében lett felállítva (pl. direkt napsütés, elektromos sütő vagy gázkályha stb.).
- Ne állítsa a hűtőszekrény részlegeinek hőmérsékletét alacsonyabbra mint ahogyan az szükséges.
- Ne helyezzen be a készülékbe meleg ételt vagy párolgó folyadékot.
- A készüléket jól szellőző, nedvességtől mentes helyiségbe szerelje fel. Kérjük olvassa el a készülék beüzemeléséről szóló fejezetet.
- Ha a rajzon megfelelő a fiókok és polcok elhelyezése, ne rendezze át azokat, mert magasabb energiafogyasztást eredményezhet.

VIII. A TERMÉK LEÍRÁSA



1. Billenőajtó	7. Támasztóláb
2. Világítás kapcsoló	8. Zöldség és gyümölcs tároló fiók
3. Ajtó tömítés	9. Zöldség és gyümölcs retesz fedél
4. Felső polc	10. Üveg polcok
5. Középső polc	11. Termosztát doboz
6. Alsó polc	12. Párolgató készülék tálca

Megjegyzés:

- Tekintettel arra, hogy a termékeket folyamatosan alakítjuk, az Ön hűtőszekrénye enyhén eltérhet a jelen használati útmutatóban leírtaktól, de a funkciói és a használati mód változatlan marad.
- A termék hatékony működésének érdekében, kérjük, helyezze a polcokat, tartókat és kosarakat a fenti képen kijelölt helyekre.

IX. ÜZEMBE HELYEZÉS

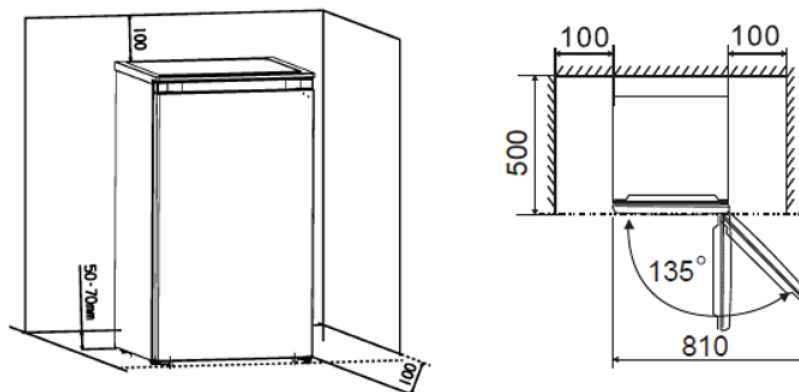
Használat előtti tisztítás

Mielőtt először használná, törölje le a készülék belsejét és minden belső tartozékát langyos vízzel és semleges tisztítószerrel, hogy elűzhesse az új termékekre jellemző szagot, majd jól szárítsa ki a készüléket.

Fontos! Ne használjon maró hatású vegyszereket, mert ezek károsítják a készülék felületeit.

Fontos! A hűtőszekrény környezetében biztosítsa a megfelelő szellőzést a keletkező hő távozásának megkönnyítése érdekében, így a készülék kiváló hatékonysággal és alacsony villamos energia-fogyasztás mellett fog működni. Ennek érdekében elegendő szabad helyet kell biztosítani a hűtőszekrény körül. Javasolt távolságok: 50-70 mm távolság a készülék háta és a hátsó fal között, legkevesebb 100 mm szabad hely oldalirányban, 100 mm-nél nagyobb távolság a hűtőszekrény teteje és a mennyezet között, valamint akkora szabad hely a hűtőszekrény előtt, amekkora elegendő ahhoz, hogy az ajtók 135o-ban nyithatók legyenek.

A készüléket csapadéktól védett helyre kell felállítani. Lehetővé kell tenni a megfelelő mennyiségű levegő keringését a készülék hátsó alsó részén, mivel a túl alacsony légáramlás kihat a teljesítményre.

**Üzembe helyezési pozíció**

Figyelmeztetés! Felállítás előtt olvassa el figyelmesen az ön biztonságára és a készülék helyes kezelésére vonatkozó utasításokat.

- A készüléket helyezze távol a hőforrásoktól, mint például kályha, fűtőtest, közvetlen napsugár stb.
- A maximális teljesítményt és a biztonságot a műszaki adatokban megjelölt, a készülék osztályának megfelelő helyes belső hőmérséklet fenntartása szavatolja.
- Ez a készülék N és T között jól teljesít. Előfordulhat, hogy a készülék nem működik megfelelően, ha hosszabb ideig a megadott tartomány feletti vagy alatti hőmérsékleten hagyja.

Klímaosztály	Környezeti hőmérséklet
SN	+10 °C-tól + 32 °C-ig
N	+16 °C-tól + 32 °C-ig
ST	+16 °C-tól + 38 °C-ig
T	+16 °C-tól + 43 °C-ig

- A készüléket csapadéktól védett helyre kell felállítani. Lehetővé kell tenni a megfelelő mennyiségű levegő keringését a készülék hátsó alsó részén, mivel a túl alacsony légáramlás kihat a teljesítményre.

Szintezés

A vibrációk kiküszöbölése érdekében a készüléket teljesen vízszintes helyen kell felállítani. A készülék szintezéséhez függőleges pozícióban a készülék mindkét szabályozójának érintkeznie kell a padlóval. A szint szabályozható úgy is, hogy az elülső szabályozót csavarással (kezével vagy megfelelő kulccsal) a megfelelő szintre állítja.

Elektromos csatlakoztatás

Figyelmeztetés! A készülék használatához szükséges bármely villamossági munkát szakemberrel vagy illetékessel kell elvégeztetni.

Figyelmeztetés! A készüléket csak földeléses konnektorba szabad csatlakoztatni. A gyártó semmilyen felelősséget nem vállal e biztonsági intézkedés elmulasztása esetén.

Az ajtó nyitási irányának megfordítása

Az ajtó nyitásának iránya megváltoztatható, áttérhetünk ugyanis a gyárilag szerelt jobbfelé történő nyitásról a balfelé történő nyílásra, ha a készülék elhelyezése ezt kívánja.

A következő eszközökre lesz szüksége:

1. 8 mm-es csőkulcs

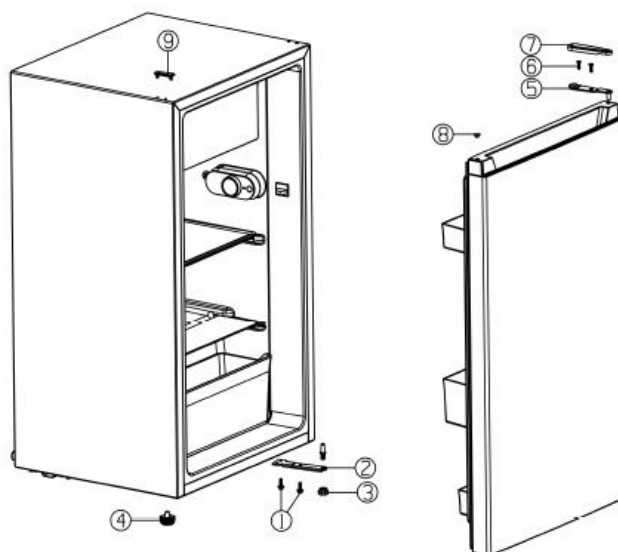


2. Csillagcsavarhúzó



3. Spakli vagy lapos csavarhúzó





1. Csavar	6. Csavar
2. Alsó csuklópánt	7. Felső ajtópánt borító
3. Alsó állítható láb	8. Csapágybetét
4. Felső állítható láb	9. Dugó
5. Felső ajtópánt	

Mielőtt a művelethez hozzálátna, annak érdekében, hogy a készülék aljához is hozzáférjen, fektesse a készüléket a hátára, de előtte tegyen alá polisztirolt vagy más hasonló összetételű csomaglóanyagot, így elkerülhető, hogy megsérüljenek a készülék hátsó oldalán levő hűtő vezetékek.

1. Nyissa ki a készüléket, majd csomagolja ki és távolítsa el belőle minden tartozékot.
2. Távolítsa el a felső ajtópánt borítóját (7).
3. Távolítsa el a készülék jobb oldalán a felső ajtópántot (5) rögzítő két csavart (6).
4. Emelje fel óvatosan az ajtót és helyezze puha felületre, hogy elkerülje az ajtó megkarcolását.
5. Távolítsa el a dugót (9) és helyezze a készülék jobb oldalán található fedetlen nyílásba. Bizonyosodjon meg arról, hogy a dugót szilárdan behelyezte a nyílásba.
6. Távolítsa el a készülék jobb oldalán található alsó ajtópántot (2) rögzítő két dugót (1).
7. Vegye le az állítható lábat (4) és helyezze át a jobb oldalra a mellékelt ábrán megjelölt módon.
8. Rögzítse az ajtót az új helyzetbe, bizonyosodjon meg arról, hogy a csapszeg a keret alsó részén található csapágybetétbe illeszkedik (a nyílásba).
9. Rögzítse a bal oldalon az előbbi 6. lépésben eltávolított felső ajtópántot (5). Bizonyosodjon meg arról, hogy a csapszeg illeszkedik a keret felső részén lévő csapágybetétbe (a nyílásba).
10. Ideiglenesen rögzítse a baloldali alsó ajtópántot (2) és a csavarokat csak akkor húzza meg, ha becsukta az ajtót és az egyenesen áll.

11. A dugót (9) helyezze a (jobb oldali) fedetlen nyílásokba.
12. Helyezze vissza a felső ajtópánt borítást (7).
13. Helyezze újra a készüléket álló helyzetbe.
14. Nyissa ki a készülék ajtaját és helyezzen vissza minden tartozékot.

A termék eltávolítása

Tilos ezt a készüléket a háztartási hulladékba dobni.

Azok az anyagok, amelyeken megtaláljuk az újrahasznosítás jelét, újrahasznosíthatóak. Ezeket a csomagolóanyagokat a megfelelő szelektív hulladékba dobja.

A készülék végső leállítása előtt

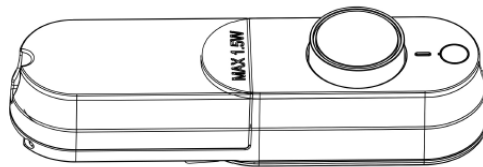
- Húzza ki a készüléket a csatlakozóaljzatból.
- Vágja le az áramforráshoz vezető huzalt, azt külön dobja el.

Figyelmeztetés! A hűtőszekrények hideghordozó közeget és veszélyes gázakat tartalmaznak. A hideghordozó közeget és a gázakat megfelelő módon kell eltávolítani, mert ezek szemsérüléseket okozhatnak vagy meggyúlhatnak. A készülék mozgatása előtt győződjön meg róla, hogy a hűtőkör csövezete nem sérült.

X. A HŐMÉRSÉKLET BEÁLLÍTÁSA

Vezérlőpult

- Csatlakoztassa a dugaszt egy földeléses fali csatlakozó aljzathoz. Ha a hűtőszekrény ajtója nyitva van, a készülék belsejében levő világítótest világítani kezd.
- A hőmérséklet szabályzó gomb a gyorsfagyasztó retesz jobb oldalán található.



A „0” állás jelentése: kikapcsolva

Fordítsa el a gombot az óramutató járásával megegyező irányban, a készülék bekapcsolásához.

A „1” állás jelentése:

A legmagasabb hőmérsékletre való beállítás.

A 7. beállítás (a beállítási tartomány vége) a következőket jelenti:

A legalacsonyabb hőmérsékletre való beállítás.

Fontos: A normális működés érdekében kérjük, válassza a „4” állást. Amennyiben azt óhajtja, hogy a hőmérséklet értéke magasabb vagy alacsonyabb legyen, fordítsa el a gombot egy felső vagy alsó állás irányába. Amennyiben magasabb hőmérsékletnek megfelelő állásba fordítja át a gombot, több villamos energiát tud megtakarítani. Ellenkező esetben az energiafogyasztás értelemszerűen növekedni fog.

MEGJEGYZÉS: A magas hőmérsékletre való beállítás felgyorsíthatja az élelmiszerek romlását.

Az élelmiszerek optimális tartósítása érdekében a legmegfelelőbb a hőmérséklet közepes szintre való beállítása.

Fontos: A magas környezeti hőmérséklet (például nyáron) és az alacsony hőmérséklet kiválasztása (6. vagy 7. pozíció) a kompresszor folyamatos működését okozhatja.

Indok: ha a környezeti hőmérséklet magas, a kompresszor folyamatosan működik, hogy alacsony hőmérsékletet tartson a készülék belsejében.

Tartozékok

Eltávolítható polcok/rekeszek

- Az Ön készüléke különböző, üveg, műanyag vagy fém polcokkal van ellátva; a polcok típusa és jellemzői modellenként eltérőek.
- A hűtőszekrény falai tartó csúszóvezetékekkel vannak ellátva annak érdekében, hogy a polcokat igényei szerint helyezhesse el.

Az ajtón lévő polcok elhelyezése

- A különböző méretű kiserelésben forgalmazott élelmiszerek tárolásának megkönnyítése érdekében, az ajtók fiókjait különböző magasságra lehet állítani.

- Ennek elvégzéséhez a következőképpen járjon el: húzza könnyedén a polcot a nyílak irányában, amíg ki nem jön, majd helyezze be a kívánt magasságban.

Zöldségtároló fiók

- Ez a fiók zöldségek és gyümölcsök tárolására használható.

Működés közben hallható zajok

A hűtőszekrények működésére az alábbi zajok jellemzőek:

Koppanások: Minden alkalommal, amikor a kompresszor indul vagy kikapcsol, egy koppanás-szerű hang hallható.

Zümmögő hang: Működés közben a készülék zümmögő hangot bocsát ki.

Bugyborékoló, gurgulázó hangok: Amikor a hűtőfolyadék a hűtőcsöveken folyik bugyborékoló vagy csepegés-szerű hangokat hallhatunk.

Csepegés-szerű hangok: A kompresszor leállítását követően is hallható még rövid ideig a csepegés-szerű hang.

XI. ÉLELMISZEREK TÁROLÁSA

Ajánlatok a friss élelmiszerek hűtött tárolásához

- Ne helyezzen a hűtő részbe vagy a mélyhűtő részbe forró ételeket, ugyanis a belső hőmérséklet miattuk nőni fog, így a kompresszor többet kell dolgozzon, tehát nőni fog a készülék elektromos energia fogyasztása is.
- Földje be vagy csomagolja be az ételeket, élelmiszereket, különösen abban az esetben, ha ezek erős szagot árasztanak.
- Helyezze el az élelmiszereket megfelelő módon, azaz úgy, hogy a levegő szabadon keringhessen körülöttük.

Javaslatok a hűtéshez

- A húst (bármely fajtát) polietilén fóliába csomagoljuk és a zöldségek és gyümölcsök részére kialakított fiók fölötti üvegpolcra helyezzük. Mindig ellenőrizze az élelmiszerek szavatossági idejét és a gyártó által feltüntetett lejáratási idő előtt fogyassza el őket.
- A főtt étel, a felvágottak stb.: Ezeket le kell földni és bármely polcra elhelyezhetők.
- Gyümölcs és zöldség: Ezeket a speciális fiókban tároljuk.
- Vaj és sajtfélék: ezeket speciális tárolóedénybe kell helyezni, melyek hermetikusan zárnak vagy legalább alumínium vagy polietilén fóliába tekerni a lehető legszorosabban.
- Tejet tartalmazó palackok: Ezeket légmentesen kell lezárni és az ajtó polcain kell tárolni.

A készülék kikapcsolása

Ha a készüléket hosszabb időre szeretnénk leállítani, az alábbi lépéseket be kell tartani a penészképződés megelőzése érdekében.

1. Vegyen ki minden élelmiszert a készülékből.
2. Húzza ki a készüléket a csatlakozóaljzattól.
3. Tisztítsa ki és szárítsa meg jól a készülék belsejét.
4. Győződjön meg róla, hogy az ajtók nyitva vannak, és nem akadályozzák a levegő keringését a készülék belsejében.

Annak érdekében, hogy az élelmiszerek ne romoljanak meg, tartsa be az alábbi utasításokat.

- Ha a készülék ajtója huzamos ideig nyitva van, akkor a készülék rekeszeiben a hőmérséklet jelentősen megnő.
- Tisztítsa rendszeresen azokat a felületeket, amelyekkel az élelmiszerek érintkezhetnek, valamint a készülék lefolyó rendszerét is.
- A nyers húst valamint a friss halat tárolja megfelelő edényekben, hogy ne érintkezzen más élelmiszerekkel.
- A két csillaggal jelölt fagyasztó a gyorsfagyasztott élelmiszerek tárolására, fagyalt készítésére vagy tárolására és jégkocka készítésére alkalmas.
- Az egy, két és három csillagos fagyasztó a friss ételek fagyasztására nem alkalmas.

Megjegyzés: Kérjük, tárolja az élelmiszereket a nekik megfelelő rekeszekben és a nekik megfelelő hőmérsékleten.

Ha a fagyasztó készülék hosszú ideig üres, kapcsolja ki, takarítsa ki, törölje ki jól és hagyja az ajtóját nyitva, hogy megelőzze a penész keletkezését a készülék belsejében.

FIGYELEM! Az ételeket a hűtőszekrénybe helyezés előtt zacskókba kell csomagolni, a folyadékokat pedig palackokba vagy fedeles tartályokba.

Sorszám	Fagyasztó rész típusa	Javasolt tárolási hőmérséklet [°C]	Megfelelő élelmiszer
1	Hűtés	+2~≤+6	Tojás, főtt ételek, csomagolt élelmiszer, gyümölcs és zöldség, tejtermék, a sütemények és italok fagyasztása nem megengedett.
2	(***)*-Fagyasztás	≤-18	A tenger gyümölcsei, hal, garnélarák, rákfélék, akvakultúra-termékek és a húsfélék fagyasztása javasolt (javasolt tárolási idő 3 hónap, a tárolási idő növekedésével fokozatosan veszítenek az ízükből és tápértékükből.)
3	***-Fagyasztás	≤-18	A tenger gyümölcsei, hal, garnélarák, rákfélék, akvakultúra-termékek és a húsfélék fagyasztása nem javasolt (javasolt tárolási idő 3 hónap, a tárolási idő növekedésével fokozatosan veszítenek az ízükből és tápértékükből).
4	** - Fagyasztás	≤-12	A tenger gyümölcsei, hal, garnélarák, rákfélék, akvakultúra-termékek és a húsfélék fagyasztása nem javasolt (javasolt tárolási idő 2 hónap, a tárolási idő növekedésével fokozatosan veszítenek az ízükből és tápértékükből).
5	*-Fagyasztás	≤-6	A tenger gyümölcsei, hal, garnélarák, rákfélék, akvakultúra-termékek és a húsfélék fagyasztása nem javasolt (javasolt tárolási idő 1 hónap, a tárolási idő növekedésével fokozatosan veszítenek az ízükből és

			tápértékükből).
6	Csillag nélkül	-6~≤0	Friss disznó-, borjú- és csirkehús, friss hal, különböző feldolgozott és csomagolt élelmiszerek stb. (javasolt azon a napon elfogyasztani, illetve legkésőbb három napon belül). Feldolgozott élelmiszerek, részben csomagolva (nem fagyasztható élelmiszerek).
7	Hűtés	-2~≤+3	Friss/fagyasztott disznó, borjú, csirke hús, akvakultúra-termékek, stb. (ezeket az élelmiszereket legtöbb 7 napot lehet tárolni 0°C alatti hőmérsékleten; 0 °C fölötti hőmérsékleten való tárolás esetén javasolt még aznap de legtöbb 2 napon belül elfogyasztani). Tenger gyümölcsei (ezeket az élelmiszereket 15 napot lehet tárolni 0°C alatti hőmérsékleten, ezek tárolását nem javasolják 0°C fölött).
8	Friss élelmiszerek	0~≤+4	A friss disznó-, borjú-, csirkehús, főtt étel stb. (javasolt ugyanazon a napon vagy legkésőbb 3 napon belül elfogyasztani).
9	Bor	+5~≤+20	Vörös bor, fehér bor, pezsgőbor stb.

XII. TISZTÍTÁS ÉS LEOLVASZTÁS

Higiéniai okokból a készüléket (ide értve a külső és belső tartozékait is) rendszeresen tisztítani kell, legkevesebb kéthavonta egyszer.



FIGYELEM! Áramütés veszély!

- A készüléket húzza ki az elektromos hálózathoz tartozó idejére. Tisztítás előtt kapcsolja ki a készüléket, és húzza ki a konnektorból vagy szakítsa meg az áramellátást gombtól, illetve a biztosítéktól.

Fontos!

- A készülék tisztítása előtt távolítsa el az élelmiszereket annak belsejéből. Helyezze hűvös helyre, jól letakarva.
- A tisztításhoz soha ne használjon gőzkeltő készüléket. A nedvesség lerakódhat az elektromos komponensekben.
- A meleg pára megrongálhatja a villamos részeket.
- Az éterek és a szerves oldószerek, mint például a citromlé vagy a narancshéj leve, a vajsav, az ecetsavat tartalmazó tisztítószerek megrongálhatják a műanyag részeket. Ne hagyja, hogy ilyen anyagok a készülék komponenseivel érintkezzenek.
- Ne használjon dörzshatású tisztítószereket.
- A készüléket és belsejét langyos vízzel és törlővel tisztítsa. Mosogatószerek használhatók.
- Tisztítás után öblítse le tiszta vízzel és törölje szárazra egy száraz törlőkendővel.
- A poros kondenzátor növeli az áramfogyasztást, évente egyszer puha kefével vagy porszívóval tisztítsa meg a készülék hátán található kondenzátort.
- Amennyiben a lefolyó nyílásai eltömődtek, tisztítsa ki azokat a zöld színű pálcika segítségével. A hegyes és éles tárgyak használata a berendezés sérüléséhez vezethet.
- Miután minden összetevő teljesen kiszáradt, helyezze ismét működésbe a készüléket.

Leolvasztás

A kiolvadás oka

- Az élelmiszerekből vagy az ajtónyitás által beáramló levegőből származó nedvesség jégréteg kialakulásához vezethet a készülék belsejében. Ha a jégréteg vastag, a készülék hűtési teljesítménye lecsökken. Ha a jégréteg vastagsága meghaladja a 10 mm-t, szükség van a jégmentesítésre.

A friss élelmiszerek részére fenntartott tartó leolvasztása

- Ez a folyamat automatikusan megy végbe, ezért semmiféle ilyen irányú tevékenység nem szükséges. A leolvasztás következtében keletkezett víz egy vízgyűjtő tálcába folyik. Az olvadékvizet ki kell üríteni a gyűjtőtálcából, leolvasztás után pedig a hűtőszekrény belsejét ki kell tisztítani.

Figyelmeztetés! A vízgyűjtő tálcát annak eltávolítása előtt ki kell emelni eredeti helyzetéből.

Figyelmeztetés! A készülék kikapcsolásához leolvasztás előtt, fordítsa el a hőmérséklet szabályozó gombot a „0” pozícióba.

Fontos! A készülék legalább havonta egyszer le kell olvasztani. Ha a használat idején az ajtó gyakran volt nyitogatva vagy a készüléket fokozott nedvességi körülmények között használták, ajánljuk a készülék kétheti leolvasztását.

XIII. HIBAE LHÁRÍTÁS

Abban az esetben, ha a készülékkel gondjai vannak, vagy úgy látja, hogy nem működik megfelelően, elvégezhet néhány egyszerű ellenőrzési művelet mielőtt szakszervizhez fordulna.

Figyelmeztetés! Ne próbálja házilag megjavítani a készüléket. Ha az alább felsorolt ellenőrzéseket elvégezte és a probléma továbbra is fennáll, forduljon szakképzett technikushoz, villanszerelőhöz vagy ahhoz az üzlethez ahonnan a készüléket vásárolta.

Hibaelhárítás előtt húzza ki a készüléket a villamos hálózatról.

HIBA	LEHETSÉGES OK (OK)	MEGOLDÁS
A készülék nem működik.	A készülék nincs bekapcsolva.	Kapcsolja be a készüléket.
	A dugó nincs helyesen bedugva az aljzatba, vagy meglazult.	Csatlakoztassa a gépet az áramforráshoz.
	A biztosíték kiégett vagy meghibásodott.	Ellenőrizze a biztosítékot. Szükség esetén cserélje ki.
	A dugasz meghibásodott.	A villamossági rendszer meghibásodásait kizárólag szakképzett villanszerelővel javíttassa meg.
A berendezés túlságosan hűt.	A beállított hőmérséklet túl alacsony.	Tekerje a hőszabályzó gombot magasabb hőfokra.
Az élelmiszerek túl melegek.	A hőmérséklet értéke nem megfelelő.	Kérjük, hogy olvassa el a vezérlőpultra vonatkozó fejezetet.
	Az ajtó túlságosan hosszú ideig maradt nyitva.	Ne tartsa nyitva az ajtót a szükségesnél hosszabb ideig.
	Az elmúlt 24 órában nagy mennyiségű meleg étel került be a hűtőszekrénybe.	Ideiglenesen csavarja el a hőmérsékletállító gombot egy magasabb állásba.
	A berendezés egy hőforráshoz közel helyezkedik el.	Kérjük, hogy tanulmányozza a készülék felszerelésére vonatkozó fejezetet.
A belső LED világítótest nem működik.	A LED-es világítótest meghibásodott.	Kérjük, hogy olvassa el a tisztításra és karbantartásra vonatkozó fejezetet.
Sok jég alakult ki, valószínűleg az ajtó tömítésén is.	Az ajtó tömítés nem szigetel jól (valószínűleg az ajtó nyitásának megcserélése után)	Melegítse gondosan az ajtó tömítés érintetlen részeit hajszáritóval (hűvösre állítva). Ugyanakkor kézzel modellálja az ajtó tömítést oly módon, hogy az jól elhelyezkedjen.

Szokatlan zajok.	A készülék nem áll stabilan.	Állítsa be a készülék lábait.
	A készülék a fallal vagy egyéb tárgyakkal érintkezik.	Mozdítsa el kicsit a berendezést.
	Egy adott alkatrész (például a készülék egyik csöve) a falhoz vagy egy másik alkatrészhez ér hozzá.	Amennyiben szükséges, óvatosan hajlítsa meg az alkatrészt, hogy az semmihez se érhesen hozzá.
Nem indul a kompresszor, a hőfokszabályozását követően azonnal.	Ez normális, nem hibajel.	A kompresszor egy adott idő után indul be.
A padlón vagy a tárolópolcokon víz van.	Elzárult a kifolyó.	Olvassa el a tisztításra és karbantartásra vonatkozó fejezetet.

SZERVIZ ÉS ÜGYFÉLSZOLGÁLAT

Kizárólag eredeti cserealkatrészeket használjon.

Mielőtt felvenné a kapcsolatot az engedélyezett szakszervizünkkel, győződjön meg róla, hogy a következő adatok a rendelkezésére állnak: Modell megnevezése és sorozatszama

Ezeket az adatokat a készülék műszaki adattábláján találja. Ezek az adatok előzetes értesítés nélkül is megváltoztathatók.

MŰSZAKI ADATOK

A termék műszaki adatai a készülék műszaki adattábláján és az energiacímkéjén vannak feltüntetve.

A hűtőszekrény energiacímkéjén található QR-kód egy internetes linket biztosít a készülék teljesítményével kapcsolatos információkhoz, melyek az EPREL adatbázisban találhatóak.

Utólagos tanulmányozás céljából, őrizze meg az energiacímkét a használati útmutatóval valamint a készülék egyéb dokumentumaival együtt.

Úgyisntén, ezeket az információkat az EPREL adatbázisban is megtalálja. Ennek érdekében használja a következő linket: <https://eprel.ec.europa.eu> és adja meg a termék megnevezését és sorozatszámát, amelyeket a készülék műszaki adattábláján talál.

A termékével kapcsolatos információk eléréséhez az EPREL portálon beolvashatja az alábbi kódokat:



Köszönjük, hogy termékünket választotta! Ha termékével kapcsolatosan további információra van szüksége, keresse fel honlapunkat az alábbi linkeket használva:

A használati útmutatókat innen töltheti le: <https://www.heinner.ro>

A javításokra vonatkozó adatokat itt találja: <https://www.heinner.ro>



A hulladékok környezetfelelős eltávolítása

Segíthet a környezet védelmében!

Kérjük, tartsa be a helyi rendelkezéseket: a nem működő elektromos berendezéseket a használt elektromos hulladékokat gyűjtő központba szolgáltatassa be.



A HEINNER a Network One Distribution SRL(KFT) társaság által bejegyzett védjegy. A többi márkajelzés és a termékek megnevezése kereskedelmi vagy az illető birtoklók által bejegyzett márkanevek.

A leírtak egyetlen része sem használható fel semmilyen formában, még lefordított, átalakított változatban sem, a NETWORK ONE DISTRIBUTION előzetes beleegyezése nélkül.

Copyright © 2013 Network One Distribution. Minden jog fenntartva.

www.heinner.com, <http://www.nod.ro>
<http://www.heinner.com>, <http://www.nod.ro>



A terméket az Európai Közösség előírásainak és jogszabályainak megfelelően tervezték és gyártották.

Importőr: **Network One Distribution**

Marcel Iancu utca, 3-5 szám, Bukarest (București), Románia

Tel: +40 21 211 18 56, www.heinner.com, www.nod.ro