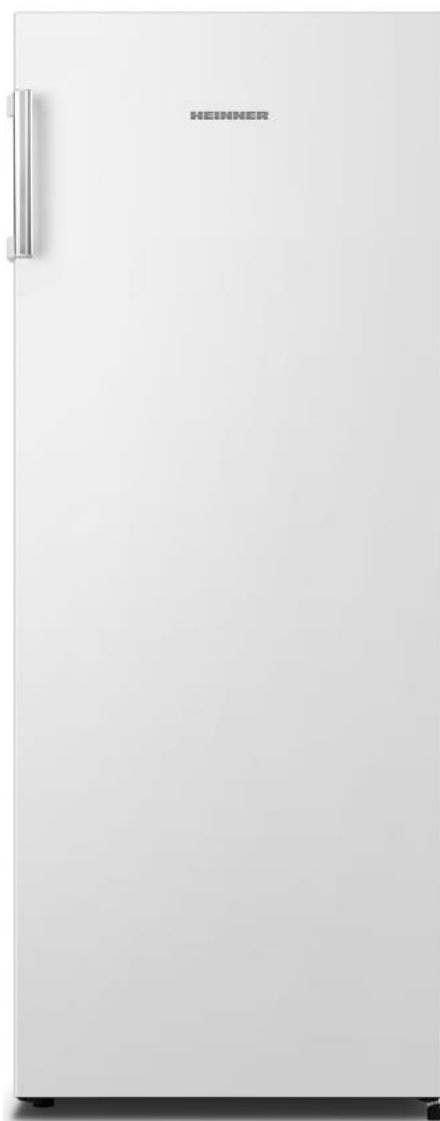


HEINNER

FREEZER

Model: HFF-HS155NFE++



www.heinner.ro

- Freezer
- Energy class: E
- Total capacity: 155 L

Thank you for choosing this product!

I. INTRODUCTION

Please read the instructions carefully and keep the manual for future information.

This manual is designed to give all necessary instructions concerning installation, use and maintenance of the unit. In order to operate the unit correctly and safely, please read this instruction manual carefully before installation and use.

II. YOUR PACKAGE CONTAINS



- **Refrigerator**
- **User manual**
- **Certificate of warranty**

III. SAFETY INFORMATION

For your safety and correct usage, before installing and first using the appliance, read this user manual carefully, including its hints and warnings. To avoid unnecessary mistakes and accidents, it is important to make sure that all people using the appliance are thoroughly familiar with its operation and safety features. Save these instructions and be sure that they remain with the appliance if it is moved or sold, so that anyone using it throughout its life, will be properly informed on its usage and safety notices.

For the safety of life and property, keep the precautions of these user's instructions as the manufacturer is not responsible for damages caused by omission.

Safety for children and others who are vulnerable people

- According to EN standard: This appliance can be used by children aged from 8 years and above and persons with reduced physical, sensory or mental capabilities or lack of experience and knowledge if they have been given supervision or instruction concerning use of the appliance in a safe way and understand the hazards involved. Children shall not play with the appliance. Cleaning and user maintenance shall not be made by children without supervision.
- Children aged from 3 to 8 years are allowed to load and unload refrigerating appliances.
- According to IEC standard: This appliance is not intended for use by persons (including children) with reduced physical, sensory or mental capabilities, or lack of experience and knowledge, unless they have been given supervision or instruction concerning use of the appliance by a person responsible for their safety.
- Children should be supervised to ensure that they do not play with the appliance.
- Keep all packaging away from children as there is risk of suffocation.
- If you are discarding the appliance, pull the plug out of the socket, cut the connection cable (as close to the appliance as you can) and remove the door to prevent children playing from suffering an electric shock or from closing themselves inside it.
- If this appliance, featuring a magnetic door seals, is to replace an older appliance having a spring lock (latch) on the door or lid, be sure to make the spring lock unusable before you discard the old appliance. This will prevent it from becoming a death trap for a child.

Warning! A child entrapment warning statement is included in either the operating instructions or in a use and care manual provided with each refrigerator.

Danger! Risk of child entrapment. Before you throw away your old refrigerator or freezer:

- Take off the doors.
- Leave the shelves in place so that children may not easily climb inside.

General safety

WARNING! This appliance is intended to be used in household and similar applications such as:

- staff kitchen areas in shops, offices and other working environments;
- farm houses and by clients in hotels, motels and other residential type environments;
- bed and breakfast type environments;
- catering and similar non-retail applications;

WARNING! Do not store explosive substances such as aerosol cans with a flammable propellant in this appliance.

WARNING! If the supply cord is damaged, it must be replaced by the manufacturer, its service agent or similarly qualified persons in order to avoid a hazard.

WARNING! Keep ventilation openings, in the appliance enclosure or in the built-in structure, clear of obstruction.

WARNING! Do not use mechanical devices or other means to accelerate the defrosting process, other than those recommended by the manufacturer.

WARNING! Do not damage the refrigerant circuit.


WARNING! Do not use electrical appliances inside the food storage compartments of the appliance, unless they are of the type recommended by the manufacturer.

WARNING! The refrigerant and insulation blowing gas are flammable. When disposing of the appliance, do so only at an authorized waste disposal centre. Do not expose to flame.

WARNING! When positioning the appliance, ensure the supply cord is not trapped or damaged.

WARNING! Do not locate multiple portable socket-outlets or portable power supplies at the rear of the appliance.

WARNING! Food needs to be packed in bags before putting into the refrigerator, and liquids need to be packed in bottles or capped containers to avoid the problem that the product design structure is not easy to clean.

The symbol  is a warning and indicates the refrigerant and insulation blowing gas are flammable.



WARNING! Risk of fire/flammable materials

If the refrigerant circuit should be damaged:

- Avoid opening flames and sources of ignition.
- Thoroughly ventilate the room in which the appliance is situated.

Replacing the illuminating lamps

WARNING - The illuminating lamps must not be replaced by the user! If the illuminating lamps is damaged, contact the customer helpline for assistance. This warning is only for refrigerators that contain illuminating lamps.

Refrigerant

The refrigerant isobutene (R600a) is contained within the refrigerant circuit of the appliance, a natural gas with a high level of environmental compatibility, which is nevertheless flammable. During transportation and installation of the appliance, ensure that none of the components of the refrigerant circuit becomes damaged. The refrigerant (R600a) is flammable.

WARNING! Refrigerators contain refrigerant and gases in the insulation. Refrigerant and gases must be disposed of professionally as they may cause eye injuries or ignition. Ensure that tubing of the refrigerant circuit is not damaged prior to proper disposal.

If the refrigerant circuit should be damaged:

- Avoid opening flames and sources of ignition.
- Thoroughly ventilate the room in which the appliance is situated.

It is dangerous to alter the specifications or modify this product in any way.

Any damage to the cord may cause a shortcircuit, fire, and/or electric shock.

Electrical safety

1. The power cord must not be lengthened.
2. Make sure that the power plug is not crushed or damaged. A crushed or damaged power plug may overheat and cause a fire.
3. Make sure that you can access the main plug of the appliance.
4. Do not pull the main cable.
5. If the power plug socket is loose, do not insert the power plug. There is a risk of electric shock or fire.
6. You must not operate the appliance without the interior lighting lamp cover.
7. The fridge is only applied with power supply of single phase alternating current of 220~240V/50Hz. If fluctuation of voltage in the district of user is so large that the voltage exceeds the above scope, for safety sake, be sure to apply A.C. Automatic voltage regulator of more than 350W to the fridge. The fridge must employ a special power socket instead of common one with other electric appliances. Its plug must match the socket with ground wire.

IV. DAILY USE

- Do not store flammable gass or liquids in the appliance. There is a risk of an explosion.
- Do not operate any electrical appliances in the appliance (e.g.electric ice cream makers.mixers etc.).
- When unplugging always pull the plug from the mains socket.do not pull on the cable.
- Do not place hot items near the plastic components of this appliance.
- Do not place food products directly against the air outlet on the rear wall.
- Store pre-packed frozen food in accordance with the frozen food manufacture's instructions.
- The appliances manufactures storage recommendations should be strictly adhered to. Refer to relevant instructions for storage.
- Do not place carbonated or fizzy drinks in the freeze compartment as it creates pressure on the container.which may cause it to explode,resulting in damage to the appliance.
- Frozen food can cause frost burns if consumed straight from the freezer compartment.
- Do not place the appliance in direct sunlight.
- Keep burning candles lamps and other items with naked flames away from the appliance so that do not set the appliance on fire.
- The appliance is intended for keeping food stuff and/or beverages in normal household as explained in this instruction booklet. The appliance is heavy. Care should be taken when moving it.
- Do not remove nor touch items from the freezer compartment if your hands are damp/wet, as this could cause skin abrasions or frost/freezer burns.
- Never use the base drawers, doors etc. to stand on or as supports.
- Frozen food must not be refrozen once it has been thawed out.
- Do not consume ice popsicles or ice cubes straight from the freezer as this can cause freezer burn to the mouth and lips.
- To avoid items falling and causing injury or damage to the appliance, do not overload the door racks or put too much food in the crisper drawers.
- This refrigerating appliance is not intended to be used as a a built-in appliance.

V. CLEANING AND MAINTENANCE

- Before maintenance, switch off the appliance and disconnect the mains plug from the mains socket.
- Do not clean the appliance with metal objects, steam cleaner, ethereal oils, organic solvents or abrasive cleansers.
- Do not use sharp objects to remove frost from the appliance. Use a plastic scraper.

VI. INSTALLATION

- For electrical connection carefully, follow the instructions given in this manual.
- Unpack the appliance and check if there are damages on it.
- Do not connect the appliance if it is damaged. Report possible damages immediately to the place you bought it. In this case retain packing.
- It is advisable to wait at least four hours before connecting the appliance to allow the oil to flow back in the compressor.
- Adequate air circulation should be around the appliance, lacking this leads to overheating. To achieve sufficient ventilation, follow the instructions relevant to installation.
- Wherever possible the back of the product should not be too close to a wall to avoid touching or catching warm parts (compressor, condenser) to prevent the risk of a fire, follow the instructions relevant to installation.
- The appliance must not be locate close to radiators or cookers.
- Make sure that the mains plug is accessible after the installation of the appliance.

VII. SERVICE AND ENERGY SAVING

Service

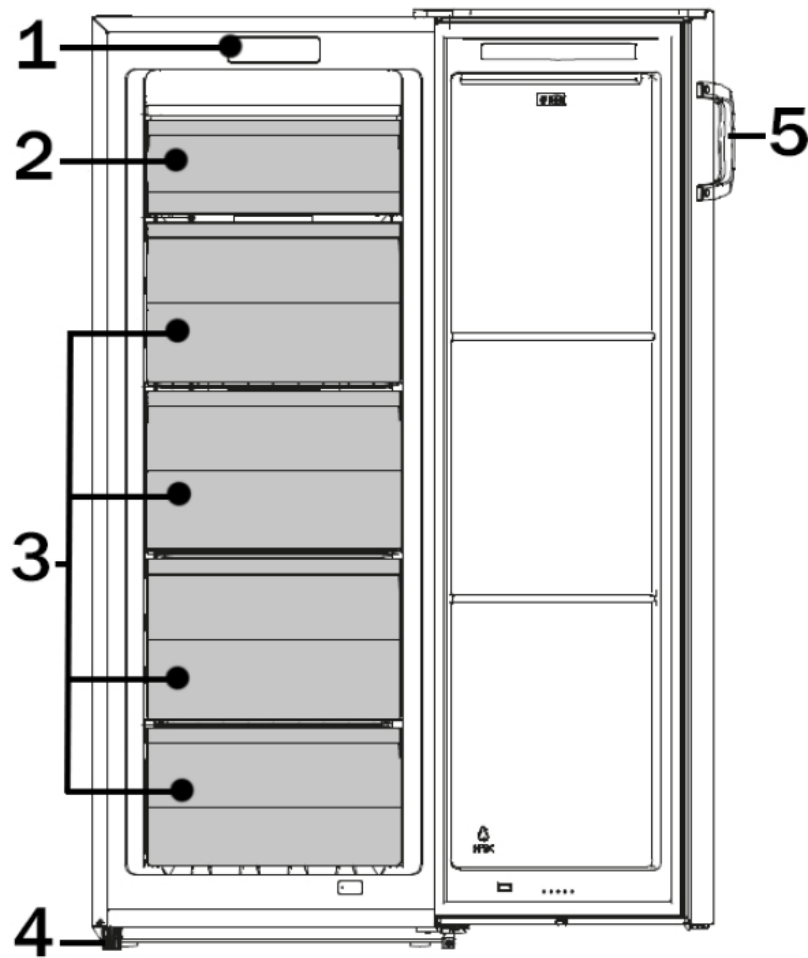
- Any electrical work required to do the servicing of the appliance should be carried out by qualified electrician or competent person.
- This product must be serviced by an authorized Service Center, and only genuine spare parts must be used.

Energy Saving tips

We recommend that you follow the tips below to save energy.

- Try to avoid keeping the door open for long periods in order to conserve energy.
- Ensure the appliance is away from any sources of heat (Direct sunlight, electric oven or cooker etc).
- Don't set the temperature colder than necessary.
- Don't store warm food or evaporating liquid in the appliance.
- Place the appliance in a well ventilated, humidity free, room. Please refer to Installing your new appliance chapter.
- If the diagram shows the correct combination for the drawers, crisper and shelves, do not adjust the combination as this is designed to be the most energy efficient configuration.

VIII. PRODUCT DESCRIPTION



1. Control panel	4. Feet
2. Flap	5. Door handle
3. Drawers	

Due to unceasing modification of our products, your appliance may be slightly different from this instruction manual, but its functions and using methods remain the same.

To get the best energy efficiency of this product, please place all shelves, drawers on their original position as the illustration above.

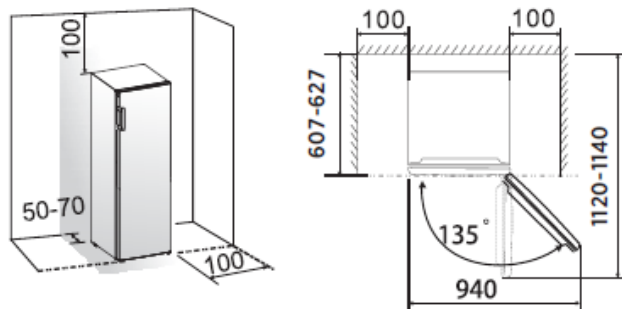
IX. INSTALLING

Before using the appliance for the first time, you should review the following tips.

Ventilation of appliance

In order to improve efficiency of the cooling system and save energy, it is necessary to maintain good ventilation around the appliance. For this reason, sufficient clear space should be available around the refrigerator.

It is advisable for there to be at least (50~70) mm of space from the back to the wall, at least 100mm from its top, at last 100mm from its side to the wall and a clear space in front to allow the doors to open 135°. Please see the following diagrams.



Note: This appliance performs well within the climate class from N, ST, T showed in the table below. It may not work properly if left at a temperature above or below the indicated range for a long period.

Climate class	Ambient temperature
SN	+10°C to +32°C
N	+16°C to +32°C
ST	+16°C to +38°C
T	+16°C to +43°C

Stand your appliance in a dry place to avoid moisture damage.

Keep the appliance out of direct sunlight, rain or frost. Stand the appliance away from heat sources such as stoves, fires or heaters.

Levelling of appliance

For sufficient leveling and air circulating in the lower rear section of the appliance, the bottom feet may need to be adjusted

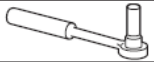





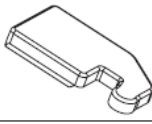
You can adjust them manually using a suitable spanner. To allow the doors to self-close, tilt the top backwards by about 10mm.

Reversing the door

The side at which the door opens can be changed, from the right side (as supplied) to the left side, if required.

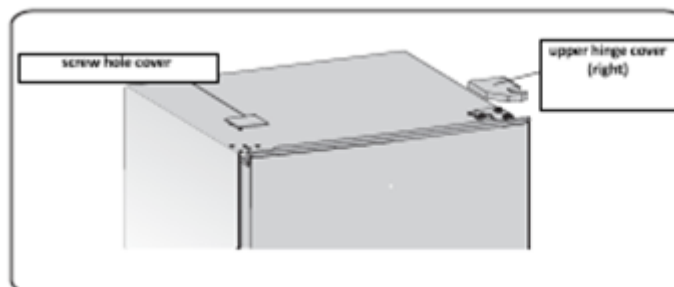
Warning! When reversing the door, the appliance must not be connected to the mains. Ensure that the plug is removed from the mains socket.

Tools you will need

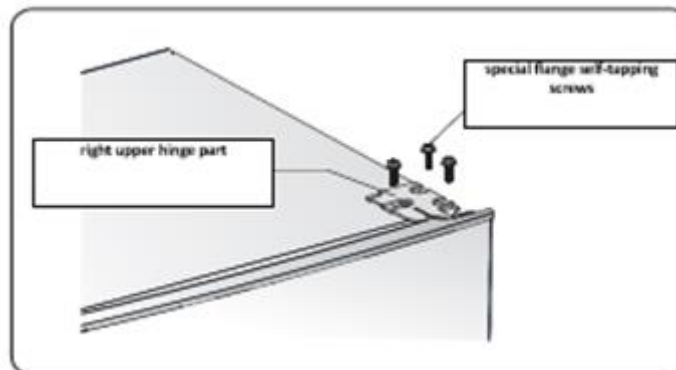
Not provided		
		
8mm socket wrench	Thin-blade screwdriver	Putty knife
		
Cross-shaped screwdriver	Monkey wrench	8mm wrench
Additional parts (in the plastic bag)		
		
Left Hinge Cover		

Note: If required you may lay the appliance on its back in order to gain access to the base, you should rest it on soft foam packaging or similar material to avoid damaging the backboard of the appliance. To reverse the door, the following steps are generally recommended.

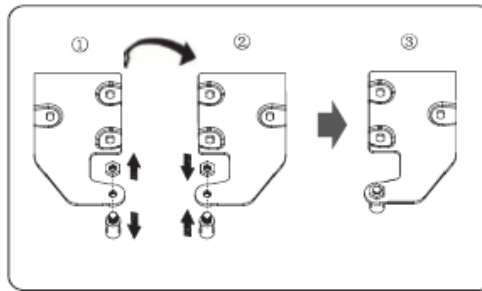
1. Use a putty knife or thin blade screwdriver to prize the screw hole cover which is at the top left corner of the appliance, and the upper hinge cover which is at the top right corner of the appliance.



2. Unscrew the special flange self-tapping screws which are used for fixing the right upper hinge part by an 8 mm socket driver or a spanner (please support the upper door with your hand when doing it).

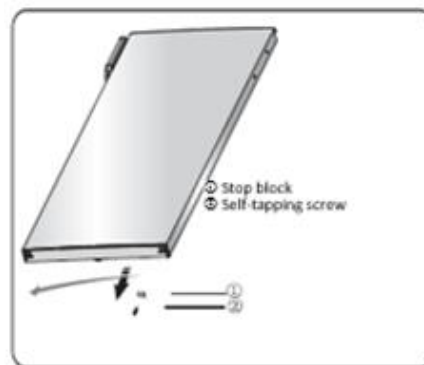


3. Remove the upper hinge axis, transfer it to reversed side and tighten security, then put it in a safe place.

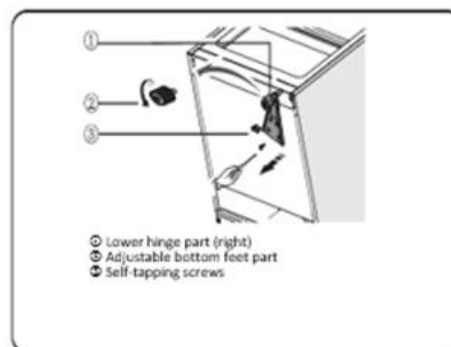


4. Remove the door from the lower hinge. NOTE: When removing the door, watch for washer(s) between the lower hinge and the bottom of the lower door that may stick to the door. Do not lose.

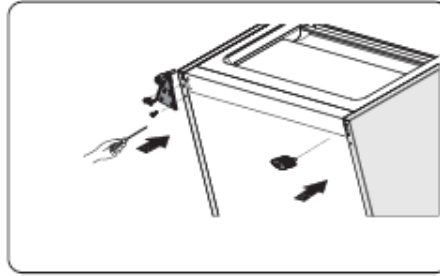
5. Place it on a smooth surface with its panel upwards. Loose screw 2 and part 1, then install them to the left side and tighten securely.



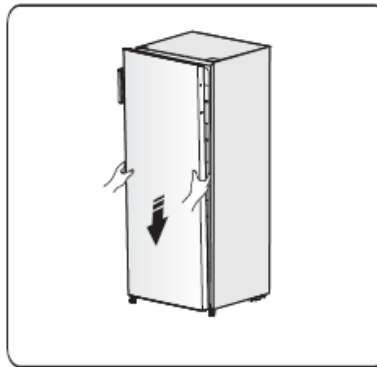
6. Lay the appliance on soft foam packaging or similar material. Remove both adjustable bottom feet parts, and the lower hinge part by unscrewing the special flange self-tapping screws.



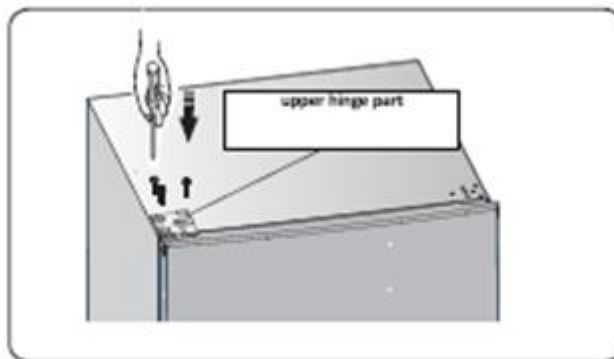
7. Replace the lower hinge part to the left side and fixing it with the special flange self-tapping screws. Replace the adjustable bottom feet parts to another side and fixing it.



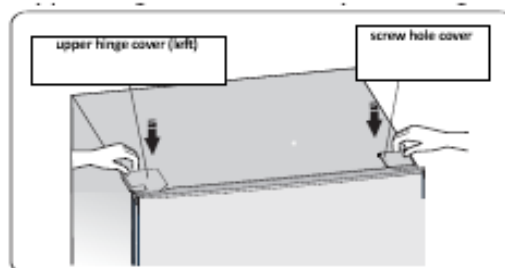
8. Transfer the door to the properly position, adjust the lower hinge part, make the hinge axis into the lower hole of the door.



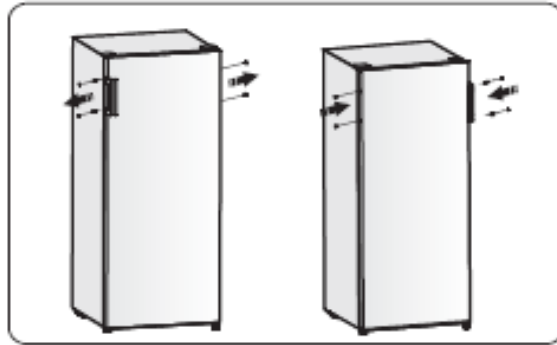
9. Transfer the upper hinge part and make the upper hinge axis into the upper hole of the door and adjust the position of the door (please support the door with your hand when doing it), fixing the upper hinge part with the special flange self-tapping screws.



10. Install the screw hole on the top right corner of the appliance. Install the upper hinge cover (which is in the plastic bag) on the left corner. Put the other upper hinge cover into the plastic bag.



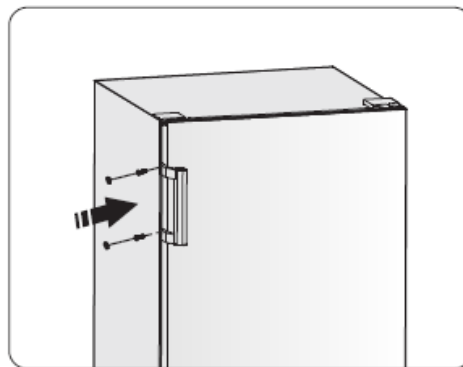
11. Move the handle from the left side of door to the right side.



Warning! When changing the side at which the door opens, the appliance must not be connected to the mains. Remove plug from the mains beforehand.

Door handle installation

Take the handle and screws out of the bag, remove the handle covers from the handle, position the handle on the right side of door, fix it by screws and cover the handle covers.



X. TEMPERATURE SETTING

The control panel that controls the temperature inside the freezer compartment is located inside the freezer. Use your appliance according to the following control regulations, your appliance has the corresponding functions and modes as the control panel showed in the picture below. When the appliance is powered on for the first time, the backlighting of the icons on display panel starts working. The doors are closed, the back lighting will turn off.



Controlling the temperature

Important! Normally we recommend you set the temperature for the freezer to -18°C . If you want to change the temperature, follow the instructions below.

Note: High temperature setting will accelerate food waste.



Caution! When you set a temperature, you set an average temperature for the whole refrigerator cabinet.

Temperatures inside compartment may vary from the temperatures displayed on the panel, depending on how much food you store and where you place it. High or low room temperature may also affect the actual temperature inside the appliance.

Mode

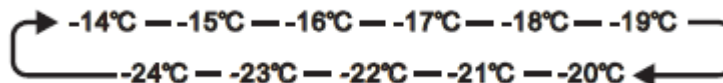
Super Freeze

Super Freeze will quickly lower the temperature within the freezer so food will freeze faster. This can lock in the vitamins and nutrients of fresh food and keep food fresh longer.


- Press "TEMP°C/Super freeze 3sec" button after 3 seconds to select the Super Freeze function. The screen display "-24" and the indicator  will be on.
- For the maximum amount of food to be frozen, several hours before placing fresh food in the freezer compartment, switch on super freezing to prevent an unwanted temperature rise.
- If the freezing capacity according to the rating plate is to be used, switch on super freezing 24 hours before the fresh products are placed in the freezer compartment, Super freeze automatically quit after 52h.
- To switch off the "super freezing", press the "TEMP°C/Super freeze 3sec" button. If super freezing is switched off, the super indicator  will shut off simultaneously, and the appliance automatically switches to the temperature set prior to super freezing mode.

TEMP°C

You can press the “TEMP /Super freeze 3” button to activate the mode to control the freezer temperature. When you press the button continuously, the temperature will be set as the following sequence.



Door Alarm

- If the door of freezer is open for over 1 minutes, the door alarm will sound and the indicator  begin to flash. The buzzer will stop alarming by press "ALARM" button and the indicator will be on but will stop flashing.
- To save energy, please avoid keeping the door open for a long time when using the appliance. The door alarm can be cleared by closing the door.

Using your appliance

This section tells you how to use most of the useful features. We recommend that you read through them carefully before using the appliance.

Using your freezer compartment

The freezer compartment is suitable for storage of food which need to be frozen, including meat, fish, ice cream, etc.

Caution! Ensure that bottles are not left in the freezer for longer than needed as freezing may cause the bottles to break.

Shelves

- The shelves are suitable for storing food.
- To remove the wire shelf: lift up at the front and pull out.

Important!

In order to make the most of the volume of the frozen-food storage compartment, the user can remove one or more drawers out of the appliance, according to your daily use. If remove a drawer, please turn the wire shelf under the drawer up and down 180 degrees to get the best energy efficiency.

In order to save energy, do not take the bottom freezer drawer out.

Drawers

The drawers can be used to store frozen food.

Firstly, pull the drawer out in level, secondly tip up it then you can take out the drawer.

According to the opposite sequence you can position the drawer rightly.

Caution! Never close the freezer door when the shelves, flap, drawers are extended. It may damage both them and freezer door.

XI. STORING THE FOOD

Hints for freezing

- When first starting up or after a period out of use, let the appliance run at least 2 hours on the higher settings before putting food in the compartment.
- Prepare food in small portions to enable it to be rapidly and completely frozen and to make it possible to subsequently thaw only the quantity required.
- Wrap up the food in aluminum foil or polyethylene food wraps which are airtight.
- Do not allow fresh and unfrozen food to touch the food which is already frozen to avoid temperature rise of the latter.
- Iced productseif consumed immediately after removal from the freezer compartment, will probably cause frost burns to the skin.
- It is recommended to label and date each frozen package in order to keep track of the storage time.

Hints for the storage of frozen food

- Ensure that frozen food has been stored correctly by the food retailer.
- Once defrosted, food will deteriorate rapidly and should not be re frozen. Do not exceed the storage period indicated by the food manufacturer.

Switching off your appliance

If the appliance needs to be switched off for an extended period, the following steps should be taken prevent mould on the appliance.

1. Remove all food.
2. Remove the power plug from the mains socket.
3. Clean and dry the interior thoroughly.
4. Ensure that all the doors are wedged open slightly to allow air to circulate.

To avoid contamination of food, please respect the following instructions:

- Opening the door for long periods can cause a significant increase of the temperature in the compartments of the appliance.
- Clean regularly surfaces that can come in contact with food and accessible drainage systems.
- Two-star frozen-food compartments are suitable for storing pre-frozen food, storing or making ice cream and making ice cubes.
- One-, two- and three-star compartments are not suitable for the freezing of fresh food.

Note: Please store different foods according to the compartments or target storage temperature of your purchased products.

If the appliance is left empty for long periods, switch off, defrost, clean, dry, and leave the door open to prevent mould developing within the appliance.

- When refrigerating food, please be careful not to contact the surface of the inner box directly.
- When frozen food, in order to prevent moisture loss, prevent the odor, should separate the different food sealed storage, and can only waterproof sealing material.
- Hot food should be cooled to room temperature first, then put into the freezer, otherwise it will affect the storage status of other foods and increase the power consumption.

Order	Compartments TYPE	Target storage temp.[°C]	Appropriate food
1	(***)*-Freezer	≤-18	Seafood (fish, shrimp, shellfish), freshwater aquatic products and meat products (recommended for 3 months, the longer the storage time, the worse the taste and nutrition), suitable for frozen fresh food.
2	***-Freezer	≤-18	Seafood (fish, shrimp, shellfish), freshwater aquatic products and meat products (recommended for 3 months, the longer the storage time, the worse the taste and nutrition), are not suitable for frozen fresh food.
3	** -Freezer	≤-12	Seafood (fish, shrimp, shellfish), freshwater aquatic products and meat products (recommended for 2 months, the longer the storage time, the worse the taste and nutrition), are not suitable for frozen fresh food.
4	*-Freezer	≤-6	Seafood (fish, shrimp, shellfish), freshwater aquatic products and meat products (recommended for 1 months, the longer the storage time, the worse the taste and nutrition), are not suitable for frozen fresh food.

XII. CLEANING AND DEFROSTING THE FREEZER

For hygienic reasons the appliance (including exterior and interior accessories) should be cleaned regularly (at least every two months).

Caution! The appliance must not be connected to the mains during cleaning. Danger of electrical shock! Before cleaning switch the appliance off and remove the plug from the mains socket.

Exterior cleaning

Wipe the control panel with a clean, soft cloth.

- Spray water onto the cleaning cloth instead of spraying directly on the surface of the appliance. This helps ensure an even distribution of moisture to the surface.
- Clean the doors, handles and cabinet surfaces with a mild detergent and then wiped dry with a soft cloth.

Caution!

- Don't use sharp objects as they are likely to scratch the surface.
- Don't use Thinner, Car detergent, Clorox, ethereal oil, abrasive cleansers or organic solvent such as Benzene for cleaning. They may damage the surface of the appliance and may cause fire.

Interior cleaning

You should clean the appliance interior regularly.

- It will be easier to clean when food stocks are low.
- Wipe the inside of the freezer with a weak solution of bicarbonate of soda, and then rinse with warm water using a wrung out sponge or cloth.
- Wipe completely dry before replacing the shelves and baskets.
- Thoroughly dry all surfaces and removable parts before putting them back into place.
- Although this appliance automatically defrosts, a layer of frost may occur on the freezer compartment's interior walls if the freezer door is opened frequently or kept open too long. If the frost is too thick, choose a time when the freezer is nearly empty and proceed as follows:
 1. Remove existing food and accessories baskets, unplug the appliance from the mains power and leave the doors open. Ventilate the room thoroughly to accelerate the process.
 2. When defrosting is completed, clean your freezer as described above.

Warning!

Do not use sharp objects to remove frost from the freezer compartment. Only after the interior is completely dry should the appliance be switched back on and plugged back into the mains socket.

Door seals cleaning

Take care to keep door seals clean. Sticky food and drinks can cause seals to stick to the cabinet and tear when you open the door. Wash seal with a mild detergent and warm water. Rinse and dry it thoroughly after cleaning.

Caution! Only after the door seals are completely dry should the appliance be powered on.

Defrosting

The combi fridge is made based on the air-cooling principle and thus has automatic defrosting function.

XIII. TROUBLESHOOTING

If you experience a problem with your appliance or are concerned that the appliance is not functioning correctly, you can carry out some easy checks before calling for service, please see below.

Warning! Don't try to repair the appliance yourself. If the problem persists after you have made the checks mentioned below, contact a qualified electrician, authorized service engineer or the shop where you purchased the product.

Problem	Possible cause & Solution
Appliance is not working correctly	Check whether the power cord is plugged into the power outlet properly.
	Check the fuse or circuit of your power supply, replace if necessary.
	The ambient temperature is too low. It is normal that the freezer is not operating during the defrost cycle, or for a short time after the appliance is switched on to protect the compressor.
Odors from the compartments	The interior may need to be cleaned
	Some food, containers or wrapping cause odors.
Noise from the appliance	The sounds below are quite normal: <ul style="list-style-type: none"> • Compressor running noises. • Air movement noise from the small fan motor in the freezer compartment or other compartments. • Gurgling sound similar to water boiling. • Popping noise during automatic defrosting. • Clicking noise before the compressor starts.
	Other unusual noises are due to the reasons below and may need you to check and take action: The cabinet is not level. The back of appliance touches the wall. Bottles or containers fallen or rolling.
The motor runs continuously	It is normal to frequently hear the sound of the motor, it will need to run more when in following circumstances: <ul style="list-style-type: none"> • Temperature setting is set colder than necessary • Large quantity of warm food has recently been stored within the appliance. • The temperature outside the appliance is too high. • Doors are kept open too long or too often. • After your installing the appliance or it has been switched off for a long time.
A layer of frost occurs in the compartment	Check that the air outlets are not blocked by food and ensure food is placed within the appliance to allow sufficient ventilation. Ensure that door is fully closed. To remove the frost, please refer to the Cleaning chapter.
Temperature inside is too warm	You may have left the doors open too long or too frequently; or the doors are kept open by some obstacle; or the appliance is located with insufficient clearance at the sides, back and top
Temperature inside is too cold	Increase the temperature by following the "Display controls" chapter.
Doors can't be closed easily	Check whether the top of the refrigerator is tilted back by 10- 15 mm to allow the doors to self close or if something inside is preventing the doors from closing.
Hear water bubbling in the	This is normal. The bubbling comes from the refrigerant coolant liquid circulating through the refrigerator.

refrigerator	
Water drips on the floor	The water pan (located at the rear bottom of the cabinet) may not be properly leveled, or the draining spout (located underneath the top of the compressor depot) may not be properly positioned to direct water into this pan, or the water spout is blocked. You may need to pull the refrigerator away from the wall to check the pan and spout.

CUSTOMER CARE AND SERVICE

Always use original spare parts.

When contacting our Authorised Service Centre, ensure that you have the following data available: Model and Serial Number.

The information can be found on the rating plate. Subject to change without notice.

TECHNICAL DATA

The technical information is situated in the rating plate on the internal side of the appliance and on the energy label.

The QR code on the energy label supplied with the appliance provides a web link to the information related to the performance of the appliance in the EU EPREL database.

Keep the energy label for reference together with the user manual and all other documents provided with this appliance.

It is also possible to find the same information in EPREL using the link <https://eprel.ec.europa.eu> and the model name and product number that you find on the rating plate of the appliance.

To access information about your product in the EPREL portal, you can scan the codes below:



Thank you for purchasing this product. If you need support with your product, visit our website using the links below.

Get User manuals: <https://www.heinner.ro>

Get Service information: <https://www.heinner.ro>



Environment friendly disposal

You can help protect the environment!

Please remember to respect the local regulations: hand in the non-working electrical equipment's to an appropriate waste disposal center.



HEINNER is a registered trademark of **Network One Distribution SRL**. Other brands and product names are trademarks or registered trademarks of their respective holders.

No part of the specifications may be reproduced in any form or by any means or used to make any derivative such as translation, transformation, or adaptation without permission from NETWORK ONE DISTRIBUTION.

Copyright © 2013 Network One Distribution. All rights reserved.

www.heinner.com, <http://www.nod.ro>

<http://www.heinner.com>, <http://www.nod.ro>



This product is in conformity with norms and standards of European Community.

Importer: **Network One Distribution**

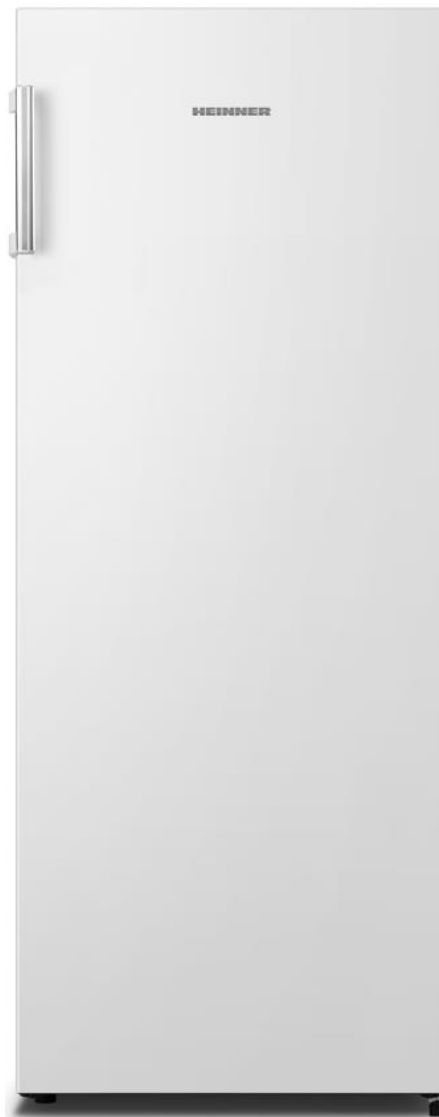
Marcel Iancu, 3-5, Bucharest, Romania

Tel: +40 21 211 18 56, www.heinner.com , www.nod.ro

HEINNER

CONGELATOR

Model: HFF-HS155NFE++



www.heinner.ro

- Congelator
- Clasa de eficiență energetică: E
- Capacitate totală: 155 L

Vă mulțumim pentru alegerea acestui produs!

I. INTRODUCERE

Vă rugăm să citiți instrucțiunile cu atenție și să păstrați manualul pentru consultări ulterioare.

Acest manual are scopul de a vă oferi toate instrucțiunile necesare cu privire la instalarea, utilizarea și întreținerea aparatului. Pentru utilizarea corectă și în siguranță a aparatului, vă rugăm să citiți cu atenție acest manual de instrucțiuni înainte de instalare și utilizare.

II. CONȚINUTUL PACHETULUI DUMNEAVOASTRĂ



- **Frigider**
- **Manual de utilizare**
- **Certificat de garanție**

III. INFORMAȚII PRIVIND SIGURANȚA

Pentru siguranța dumneavoastră și o utilizare corectă, înainte de a instala și a folosi aparatul pentru prima dată, citiți cu atenție acest manual de instrucțiuni, inclusiv sugestiile și avertismentele. Pentru a evita erorile și accidentele, este important să vă asigurați că toate persoanele care utilizează aparatul sunt familiarizate cu modul de funcționare și cu măsurile de siguranță. Păstrați aceste instrucțiuni și asigurați-vă că vor rămâne împreună cu aparatul dacă acesta este mutat sau vândut, astfel încât orice persoană care îl folosește pe durata de exploatare a acestuia să fie bine informată în legătură cu utilizarea sa și cu măsurile de siguranță.

Pentru garantarea siguranței persoanelor și a bunurilor, respectați măsurile de precauție specificate în cadrul prezentului manual de instrucțiuni, deoarece producătorul nu este răspunzător pentru daunele cauzate prin omisiune.

Siguranța copiilor și a altor persoane vulnerabile

- Conform standardului EN: Aparatul poate fi utilizat de către copii cu vârste începând de la 8 ani și de către persoane cu capacități fizice, senzoriale sau mentale reduse, cu lipsă de experiență sau cunoștințe, numai dacă acestea sunt supravegheate sau instruite în ceea ce privește utilizarea în siguranță a aparatului și dacă înțeleg pericolele pe care le implică utilizarea. Copiii nu au voie să se joace cu aparatul. Curățarea și întreținerea nu trebuie efectuate de către copii nesupravegheați.
- Copiilor cu vârste începând de la 3 ani le este permis să introducă și să scoată alimente din aparatele frigorifice.
- Conform standardului IEC: Aparatul nu este destinat utilizării de către persoane (inclusiv copii) care au capacități fizice, senzoriale sau mentale reduse, sau cărora le lipsesc experiența și cunoștințele necesare, decât dacă sunt supravegheate sau au fost instruite cu privire la utilizarea aparatului de către o persoană care răspunde pentru siguranța acestora.
- Copiii trebuie supravegheați, astfel încât aceștia să nu se joace cu aparatul.
- Nu lăsați ambalajele la îndemâna copiilor. Pericol de asfixiere.
- Pentru a evita situațiile în care copiii se pot electrocuta sau închide în interiorul aparatului, înainte de a-l arunca, scoateți ștecărul din priză, tăiați cablul de alimentare (cât mai aproape de aparat posibil) și demontați ușa aparatului.
- Dacă acest aparat (care este prevăzut cu un sistem de închidere magnetic) înlocuiește un aparat mai vechi, prevăzut cu închizătoare cu arc (zăvor) pe ușă sau pe capac, înainte de a arunca aparatul vechi, asigurați-vă că închizătoarea cu arc nu mai poate fi folosită. Astfel, copiii nu vor putea rămâne blocați înăuntru.

Avertisment! Un avertisment privind riscul de blocare a copiilor în interiorul aparatului este inclus în instrucțiunile de utilizare sau în manualul de utilizare și întreținere furnizat împreună cu fiecare frigider.

Pericol! Risc de blocare a copiilor în interiorul aparatului. Înainte de a arunca vechiul frigider sau congelator:

- Scoateți ușile.
- Lăsați rafturile la locurile lor, astfel încât copiii să nu poată pătrunde cu ușurință în interiorul aparatului.

Măsurile generale de siguranță

AVERTISMENT! Acest aparat este destinat utilizării în locuințe și alte unități similare:

- bucătăriile personalului din magazine, birouri și alte medii de lucru;
- în gospodării și de către clienții din hoteluri, moteluri și alte medii de tip rezidențial;
- medii de tip pensiune cu mic dejun;
- activități de tip catering și non-retail.

AVERTISMENT! Nu depozitați în acest aparat produse explozive precum spray-urile cu aerosoli inflamabili.

AVERTISMENT! Pentru evitarea pericolelor, în cazul în care cablul de alimentare este deteriorat, acesta trebuie înlocuit de către producător, de către agentul său de service sau de persoane cu o calificare similară.

AVERTISMENT! Asigurați-vă că gurile de ventilație ale carcasei aparatului sau ale corpului acestuia nu sunt obturate.

AVERTISMENT! Utilizați numai dispozitive mecanice sau mijloace de grăbire a procesului de dezghețare recomandate de către producător.

AVERTISMENT! Nu deteriorați circuitul de refrigerare.


AVERTISMENT! Nu folosiți aparate electrice în interiorul compartimentelor de depozitare a alimentelor din acest aparat, decât dacă acestea sunt de tipul celor recomandate de către producător.

AVERTISMENT! Agentul frigorific și gazul izolanți sunt inflamabile. Dacă doriți să aruncați aparatul, apălați la un centru autorizat de eliminare a deșeurilor. Nu expuneți aparatul la foc.

AVERTISMENT! Atunci când poziționați aparatul, asigurați-vă că nu striviți și nu deteriorați cablul de alimentare.

AVERTISMENT! Nu amplasați în spatele aparatului prize multiple sau surse de alimentare portabile.

AVERTISMENT! Ambalați alimentele în pungi și puneți lichidele în sticle sau recipiente acoperite înainte de a le introduce în frigider, pentru a evita murdărirea componentelor interioare ale aparatului.

Simbolul  avertizează cu privire la faptul că agentul frigorific și gazul izolanți sunt inflamabile.



AVERTISMENT! Pericol de incendiu/materiale inflamabile

În cazul în care circuitul de refrigerare este deteriorat:

- Evitați utilizarea focului deschis și sursele de aprindere a focului.
- Aerișiți bine camera în care se află aparatul.

Înlocuirea becurilor

AVERTISMENT - Becurile nu trebuie înlocuite de către utilizator! Dacă becurile se defectează, apelați la asistență specializată. Acest avertisment este valabil numai pentru frigiderele prevăzute cu lămpi de iluminare.

Agentul frigorific

Circuitul de refrigerare al aparatului conține agent frigorific R600a (izobutan), un gaz natural cu un nivel ridicat de compatibilitate cu mediul înconjurător, dar inflamabil. În timpul transportului și al montării aparatului, asigurați-vă că niciuna dintre componentele circuitului de refrigerare nu este deteriorată. Agentul frigorific (R600a) este inflamabil.

AVERTISMENT! Frigiderele conțin agent frigorific și gaze izolante. Agentul frigorific și gazele trebuie să fie eliminate în mod corespunzător, deoarece acestea pot provoca leziuni oculare sau se pot aprinde. Înainte de eliminare, asigurați-vă că tubulatura circuitului de refrigerare nu este deteriorată.

În cazul în care circuitul de refrigerare este deteriorat:

- Evitați utilizarea focului deschis și sursele de aprindere a focului.
- Aerișiți bine camera în care se află aparatul.

Modificarea în orice fel a specificațiilor sau a produsului este periculoasă.

Orice deteriorare a cablului de alimentare poate genera risc de scurtcircuitare, incendiu sau electrocutare.

Siguranța electrică

1. Nu prelungiți cablul de alimentare.
2. Asigurați-vă că ștecărul nu a fost strivit sau deteriorat. În cazul în care cablul de alimentare este strivit sau deteriorat, acesta se poate supraîncălzi și poate provoca un incendiu.
3. Asigurați-vă că aveți acces la ștecărul aparatului.
4. Nu trageți de cablul de alimentare.
5. Dacă priza în care trebuie introdus ștecărul este desprinsă, nu introduceți ștecărul în ea. Există riscul de electrocutare și de incendiu.
6. Nu utilizați aparatul fără capacul lămpii de iluminare din interior.
7. Aparatul nu poate fi alimentat decât de la un circuit electric alternativ monofazat, de 220-240V/50Hz. Dacă variațiile de tensiune din zona în care locuiește utilizatorul nu se încadrează în limitele domeniului de tensiune de mai sus, pentru siguranță, utilizați un regulator de tensiune automat AC cu o putere mai mare de 350 W. Aparatul trebuie alimentat de la o priză separată, nu de la o priză la care sunt conectate și alte aparate electrice. Ștecărul trebuie să fie compatibil cu priza cu împământare.

IV. UTILIZARE COTIDIANĂ

- Nu depozitați gaze sau lichide inflamabile în aparat. Există riscul producerii unei explozii.
- Nu utilizați dispozitive electrice în interiorul aparatului (ex.: aparate electrice de făcut înghețată, mixere etc.).
- Atunci când deconectați aparatul de la sursa de alimentare, scoateți ștecărul din priză fără a trage de cablu.
- Nu așezați obiecte fierbinți lângă componentele din plastic ale aparatului.
- Nu așezați alimente imediat lângă orificiul de evacuare a aerului situat pe peretele posterior din interiorul aparatului.
- Depozitați alimentele congelate preambalate în conformitate cu instrucțiunile producătorului alimentelor congelate.
- Respectați cu strictețe recomandările producătorului acestui aparat privind depozitarea. Consultați instrucțiunile referitoare la depozitare.
- Nu depozitați băuturi carbogazoase sau acidulate în congelator, deoarece se creează presiune asupra recipientelor, acestea putând exploda, având drept rezultat deteriorarea aparatului.
- Alimentele înghețate pot cauza degerături dacă sunt consumate direct din congelator.
- Nu expuneți aparatul la lumina directă a soarelui.
- Țineți lumânările aprinse, lămpile și alte obiecte cu flacără deschisă cât mai departe de aparat, astfel încât acesta să nu ia foc.
- Aparatul este destinat depozitării alimentelor și/sau băuturilor într-o gospodărie obișnuită, așa cum a este specificat în prezentul manual de instrucțiuni. Acest aparat este greu. Mutați-l cu grijă.
- Nu scoateți și nu atingeți obiecte din congelator dacă aveți mâinile umede/ude, deoarece vă puteți provoca leziuni ale pielii sau degerături.
- Nu folosiți niciodată baza, sertarele, ușile etc. pentru a vă urca pe ele sau ca suporturi.
- Nu congelați din nou alimentele care s-au dezghețat.
- Nu consumați înghețată sau cuburi de gheață direct din congelator, deoarece acestea pot provoca leziuni ale gurii și buzelor.
- Pentru a evita căderea obiectelor și provocarea vătămarilor corporale sau a deteriorării aparatului, nu supraîncărcați rafturile de pe ușă și nu puneți prea multe alimente în sertarul pentru legume și fructe.
- Acest aparat frigorific nu este destinat să fie folosit ca aparat incorporabil

V. CURĂȚARE ȘI ÎNTREȚINERE

- Înainte de efectuarea operațiilor de întreținere, opriți aparatul și scoateți ștecărul din priză.
- Nu curățați aparatul cu obiecte din metal, aparate de curățat cu aburi, uleiuri eterice, solvenți organici sau substanțe abrazive.
- Nu folosiți obiecte ascuțite pentru a îndepărta gheața din aparat. Folosiți o racletă din plastic.

VI. INSTALARE

- Pentru conectarea aparatului la sursa de alimentare cu energie electrică, urmați cu atenție instrucțiunile din cadrul prezentului manual.
- Despachetați aparatul și verificați dacă este deteriorat.
- Dacă aparatul prezintă deteriorări, nu îl conectați la sursa de alimentare. Dacă aparatul este deteriorat, comunicați imediat acest lucru distribuitorului de la care l-ați cumpărat. În acest caz, păstrați ambalajul.
- Vă recomandăm să așteptați cel puțin patru ore înainte de a conecta aparatul la sursa de alimentare, pentru ca uleiul să aibă timp să revină în compresor.
- Aerul trebuie să poată circula liber în jurul aparatului. În lipsa circulației aerului, aparatul se poate supraîncălzi. Pentru a obține o ventilație adecvată, respectați instrucțiunile referitoare la montare.
- Partea din spate a produsului nu trebuie să fie prea aproape de perete, pentru a evita atingerea sau prinderea componentelor calde (compresor, condensator). Pentru prevenirea riscului de producere a unui incendiu, urmați instrucțiunile cu privire la instalare.
- Nu amplasați aparatul în apropierea radiatoarelor sau a aragazelor.
- Asigurați-vă că aveți acces la ștecăr după montarea aparatului.

VII. REPARAȚII ȘI ECONOMISIREA ENERGIEI

Reparații

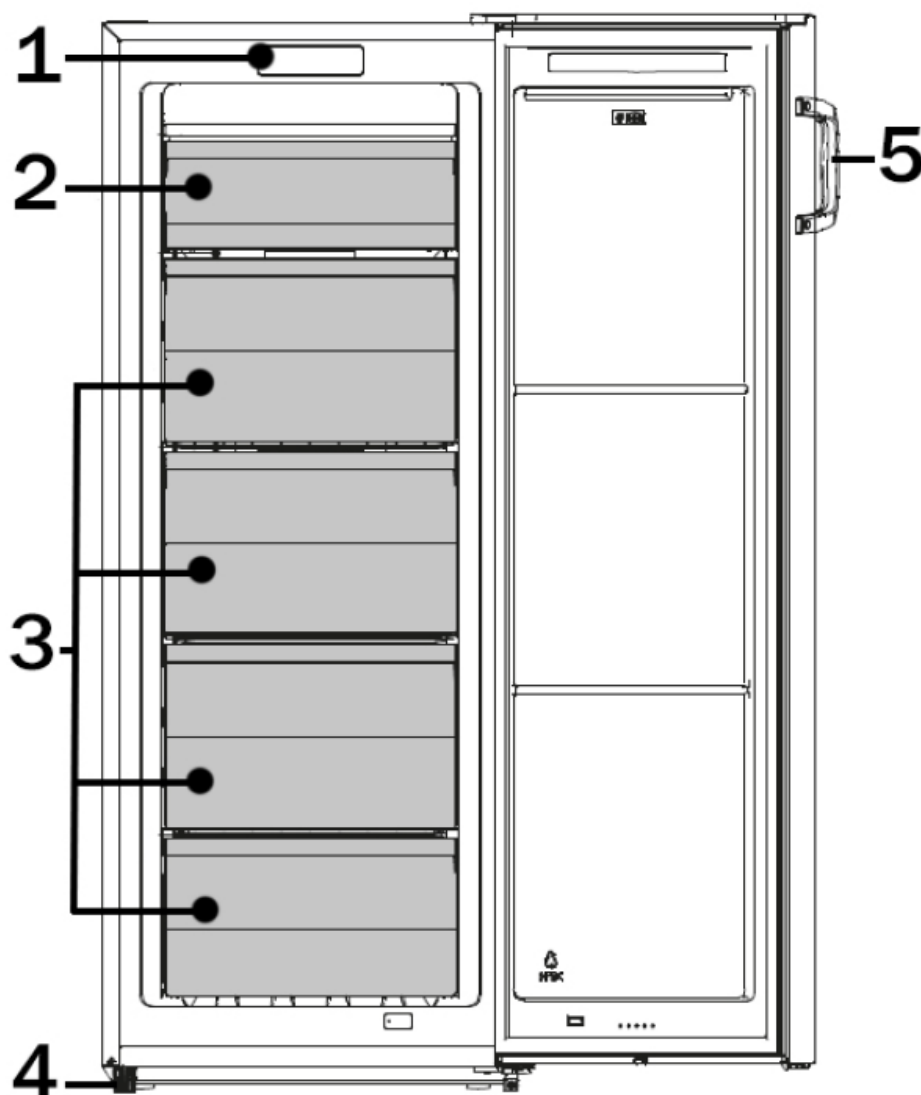
- Lucrările electrice necesare în vederea reparării aparatului trebuie efectuate de către un electrician calificat sau de către personal specializat.
- Produsul trebuie reparat de către un centru de service autorizat, folosindu-se numai piese de schimb originale.

Sfaturi pentru economisirea energiei electrice

Vă recomandăm să urmați sfaturile de mai jos în vederea economisirii energiei.

- Pentru a economisi energie, vă rugăm să nu lăsați mult timp ușa deschisă.
- Asigurați-vă că aparatul este departe de orice surse de căldură (lumina directă a soarelui, cuptoare electrice sau aragaze etc.).
- Nu setați temperatura la un nivel mai scăzut decât este necesar.
- Nu depozitați în aparat mâncare caldă sau lichide care se evaporă.
- Instalați aparatul într-o încăpere bine aerisită, ferită de umiditate. Vă rugăm să consultați capitolul privind instalarea aparatului.
- În cazul în care schema indică o configurație corectă pentru sertare și rafturi, vă rugăm să nu modificați acea configurație, deoarece este special concepută pentru eficientizarea consumului de energie electrică.

VIII. DESCRIEREA PRODUSULUI



1. Panou de comandă	4. Picioar
2. Capac rabatabil	5. Mâner ușă
3. Sertare	

Date fiind modificările continue aduse produselor, aparatul dumneavoastră poate fi puțin diferit de cel descris în acest manual de utilizare, însă funcțiile și modalitatea de utilizare rămân aceleași.

Pentru ca acest produs să fie cât mai eficient, vă rugăm să amplasați rafturile și sertarele în pozițiile indicate în ilustrația de mai sus.

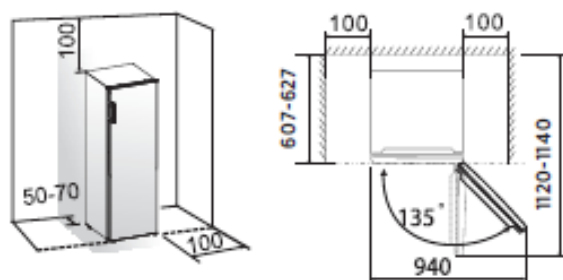
IX. INSTALAREA

Înainte de prima utilizare a aparatului, vă rugăm să citiți recomandările de mai jos.

Aerisirea aparatului

Pentru o eficiență ridicată a refrigerării și un consum scăzut de energie electrică, în jurul frigiderului trebuie să existe o bună ventilație, în vederea înlesnirii dispersării căldurii. În acest sens, trebuie să lăsați suficient spațiu liber în jurul frigiderului.

Vă recomandăm să lăsați o distanță de 50-70 mm între spatele frigiderului și perete, cel puțin 100 de mm în partea superioară, cel puțin 50 de mm în laterale, precum și un spațiu liber în față care să permită deschiderea ușilor la 135°. Consultați schemele de mai jos.



Notă: Acest aparat funcționează corespunzător în clasele de climă de la N, ST, T specificate în tabelul de mai jos.

Dacă aparatul este lăsat pentru o perioadă mai îndelungată la o temperatură superioară sau inferioară limitelor intervalului specificat, este posibil ca acesta să nu mai funcționeze corect.

Clasa de climă	Temperatura ambiantă
SN	de la +10°C la +32°C
N	de la +16°C la +32°C
ST	de la +16°C la +38°C
T	de la +16°C la +43°C

Instalați aparatul într-un loc uscat, ferit de umezeală.

Nu expuneți aparatul la lumina directă a soarelui, la ploaie sau îngheț. Instalați aparatul departe de surse de căldură precum sobele sau încălzitoarele.

Echilibrarea aparatului

Pentru asigurarea unei echilibrări eficiente și a unei circulații optime a aerului în partea din spate a aparatului, poate fi necesară reglarea picioarelor aparatului.






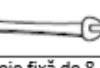
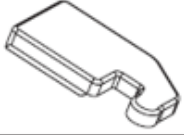
Reglarea picioarelor poate fi realizată manual sau cu ajutorul unei chei potrivite. Pentru ca ușile să se poate închide singure, înclinați aparatul către partea din spate aproximativ 10 mm.

Inversarea sensului de deschidere a uşii

Sensul de deschidere a uşii poate fi inversat, trecând de la deschidere către partea dreaptă (aşa cum este montat în fabrică) la deschidere către partea stângă, dacă este necesar.

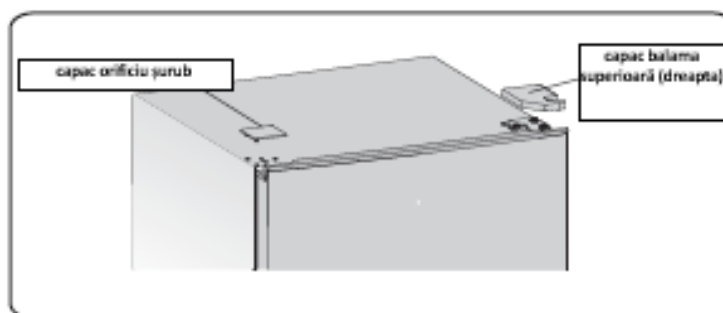
Avertisment! Atunci când inversaţi uşa, aparatul nu trebuie să fie conectat la sursa de alimentare cu energie electrică. Asiguraţi-vă că ştecherul este scos din priză.

Aveţi nevoie de următoarele unelte.

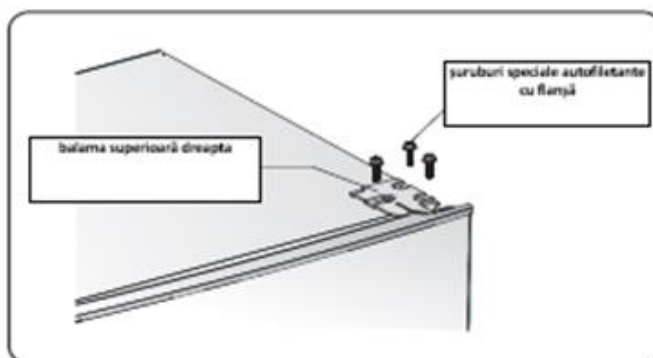
Nu sunt furnizate		
		
Cheie tubulară de 8 mm	Şurubelniţă în linie	Şpaclu
		
Şurubelniţă în cruce	Cheie franceză	Cheie fixă de 8 mm
Componente suplimentare (în punga de plastic)		
		
Capac balama stânga		

Notă: Înainte de a începe, pentru a avea acces la baza aparatului, aşezaţi-l pe spate, pe o bucată de ambalaj din polistiren sau din material similar, în vederea evitării deteriorării componentelor de pe partea din spate a aparatului. Pentru inversarea sensului de deschidere a uşii, se recomandă parcurgerea paşilor de mai jos:

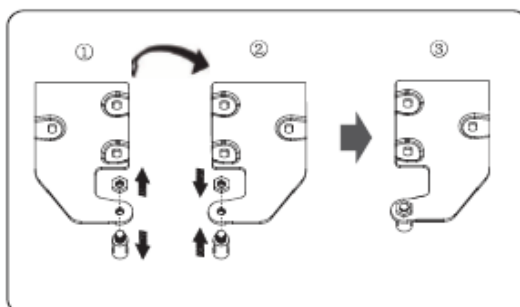
1. Utilizaţi un şpaclu sau o şurubelniţă în linie pentru a scoate capacul de pe orificiul situat în colţul din stânga sus al aparatului, apoi scoateţi capacul balamalei superioare situate în colţul din dreapta sus al aparatului.



2. Cu ajutorul unei şurubelniţe tubulare de 8 mm sau al unei chei, defaceţi şuruburile autofiletante speciale cu flanşă care sunt utilizate pentru fixarea balamalei superioare din dreapta (vă rugăm să susţineţi uşa superioară cu mâna în timpul acestei operaţii).

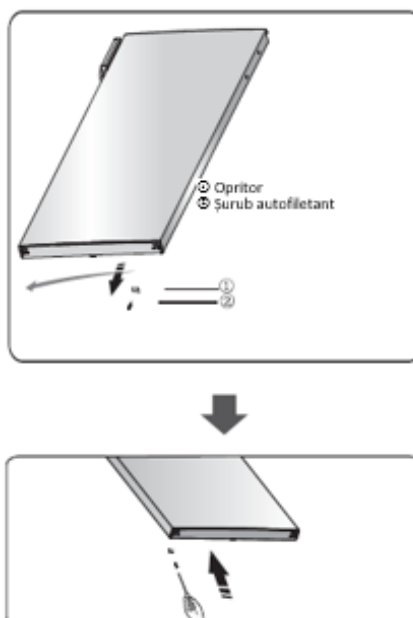


3. Scoateți axul balamalei superioare, mutați-l în partea opusă și strângeți-l bine.

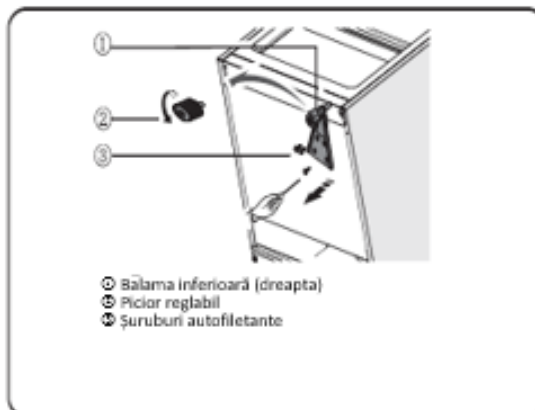


4. Scoateți ușa de pe balamaua inferioară. NOTĂ: În momentul scoaterii ușii, aveți grijă ca șaiba sau șaibele dintre balamaua inferioară și partea inferioară a ușii inferioare să nu rămână lipite de ușă. Nu le pierdeți.

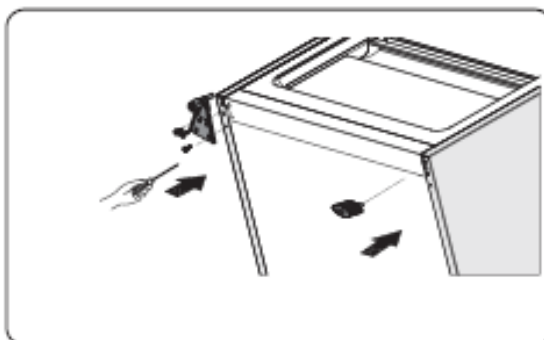
5. Puneți ușa pe o suprafață netedă, cu panoul în partea de sus. Scoateți șurubul (2) și piesa (1), apoi montați-le în partea stângă și strângeți-le bine.



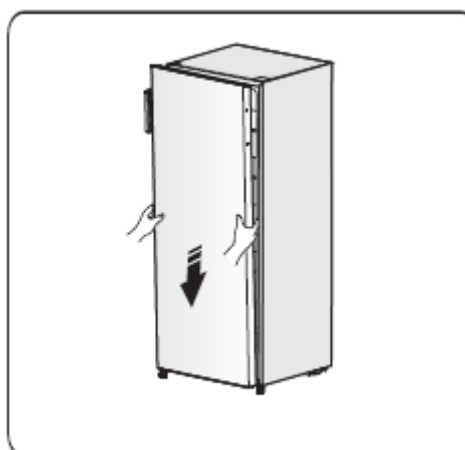
6. Așezați aparatul pe un ambalaj din spumă moale sau pe un material similar. Scoateți ambele picioare reglabile, apoi scoateți balamaua inferioară prin desfacerea șuruburilor speciale autofiletante cu flanșă.



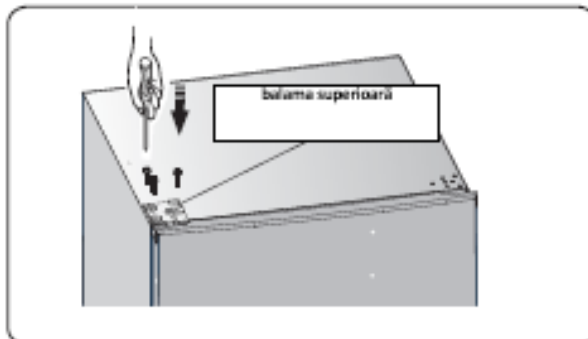
7. Repoziționați balamaua inferioară pe partea stângă și fixați-o cu ajutorul șuruburilor speciale autofiletante cu flanșă. Poziționați picioarele reglabile în partea opusă și fixați-le.



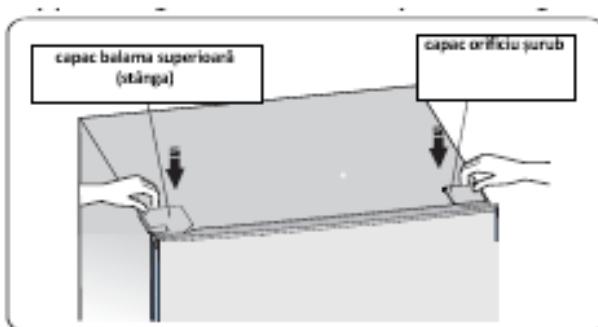
8. Așezați ușa în poziția corespunzătoare, reglați balamaua inferioară și introduceți axul balamalei în orificiul de jos al ușii.



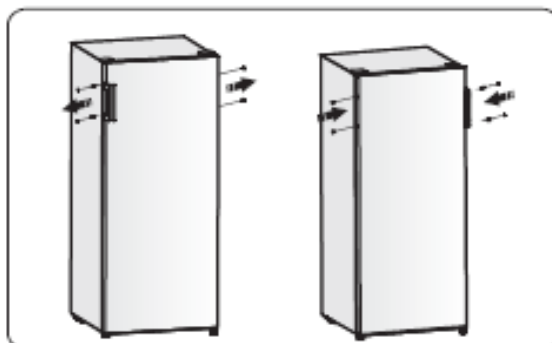
9. Mutați balamaua superioară și introduceți axul balamalei superioare în orificiul de sus al ușii, apoi reglați poziția ușii (vă rugăm să susțineți ușa cu mâna în timpul acestei operații), fixând balamaua superioară cu ajutorul șuruburilor speciale autofiletante cu flanșă.



10. Montați capacul pe orificiul situat în colțul din dreapta sus al aparatului. Montați capacul balamalei superioare (aflat în punga din plastic) pe colțul din stânga. Puneți capacul balamalei superioare în punga din plastic.



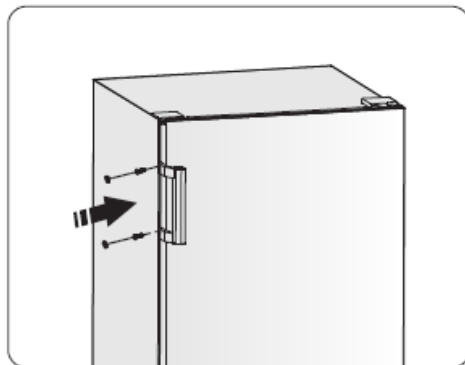
11. Mutați mânerul din partea stângă a ușii în partea dreaptă.



Avertisment! Atunci când inversați sensul de deschidere a ușii, aparatul nu trebuie să fie conectat la sursa de alimentare cu energie electrică. Pentru aceasta, deconectați ștecărul de la sursa de alimentare cu energie electrică.

Montarea mânerului ușii

Luați mânerul și șuruburile din pungă cu accesorii, scoateți capacele de pe mâner, poziționați mânerul pe partea dreaptă a ușii, apoi fixați-l cu ajutorul șuruburilor și puneți capacele mânerului.



X. SETAREA TEMPERATURII

Panoul de comandă cu ajutorul căruia puteți controla temperatura compartimentului de congelare se află în interiorul congelatorului. Utilizați aparatul cu ajutorul panoului de comandă indicat în imaginile de mai jos, care vă permite să configurați modul de funcționare a aparatului. Atunci când aparatul este pornit pentru prima dată, iluminarea pictogramelor de pe afișaj începe să funcționeze. Iluminarea se oprește în momentul închiderii ușii.



Controlul temperaturii

Important! Vă recomandăm să reglați temperatura congelatorului la -18°C . În cazul în care doriți să modificați temperatura, urmați instrucțiunile de mai jos.

Notă: Setarea unei temperaturi ridicate grăbește procesul de alterare a alimentelor.



Atenție! Atunci când setați o temperatură, setați temperatura medie pentru întregul aparat.

Temperaturile din interiorul compartimentului pot diferi de cele afișate pe panoul de control, în funcție de cantitatea de alimente depozitate și de poziționarea acestora în aparat. De asemenea, temperatura ambiantă poate influența temperatura efectivă din interiorul aparatului.

Funcțiile aparatului

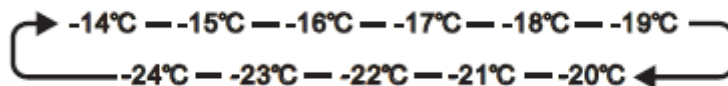
Funcția „Super Freeze”

Funcția „Super Freeze” reduce rapid temperatura din congelator, astfel încât alimentele să poată fi congelate mai rapid. Aceasta duce la reținerea vitaminelor și a substanțelor nutritive și la păstrarea alimentelor pentru o perioadă mai îndelungată.


- Apăsați și mențineți apăsat butonul „TEMP °C /Super Freeze 3sec” timp de 3 secunde pentru a selecta funcția „Super Freeze”. Afișajul va indica „-24”, iar indicatorul  se va aprinde.
- Cu câteva ore înainte de a pune alimentele proaspete în compartimentul de congelare, activați funcția „Super Freeze” pentru a preveni o creștere nedorită a temperaturii.
- În cazul în care doriți să utilizați aparatul la capacitatea de congelare specificată pe plăcuța cu date tehnice, activați funcția „Super Freeze” cu 24 de ore înainte de a pune alimentele proaspete în compartimentul de congelare. Funcția „Super Freeze” se dezactivează automat după 52 de ore.
- Pentru a dezactiva funcția „Super Freeze”, apăsați pe butonul „TEMP °C /Super freeze 3sec”. Odată cu dezactivarea funcției „Super Freeze”, indicatorul  se va stinge, iar aparatul va comuta automat la temperatura setată înainte de activarea funcției „Super Freeze”.

TEMP °C

Puteți apăsa pe butonul „TEMP°C/Super freeze 3” pentru activarea modului de control al temperaturii din congelator. La apăsarea continuă a acestui buton, temperatura va fi reglată după cum este indicat în imaginea de mai jos.



Avertizarea privind deschiderea ușii

- Dacă ușa congelatorului rămâne deschisă mai mult de 1 minut, avertizarea privind deschiderea ușii se va activa, iar indicatorul  se va aprinde intermitent. Apăsați pe butonul „ALARM” pentru oprirea avertizorului sonor și stingerea indicatorului.
- Pentru a economisi energie în timpul utilizării aparatului, vă rugăm să nu lăsați mult timp ușa deschisă. Semnalul sonor de avertizare poate fi oprit prin închiderea ușii.

Utilizarea aparatului dumneavoastră

Această secțiune cuprinde instrucțiuni privind modul de utilizare a majorității caracteristicilor utile ale aparatului. Vă recomandăm să citiți cu atenție aceste instrucțiuni înainte de utilizarea aparatului.

Utilizarea compartimentului de congelare

Compartimentul de congelare este potrivit pentru depozitarea alimentelor care necesită congelare, inclusiv a cărnii, peștelui, înghețatei etc.

Atenție! Asigurați-vă că sticlele nu sunt lăsate în congelator mai mult decât este necesar, deoarece acestea se pot sparge.

Rafturile

- Rafturile sunt potrivite pentru depozitarea alimentelor.
- Pentru a scoate raftul din grilaj metalic, ridicați-l din partea frontală și trageți-l.

Important!

Pentru a valorifica la maximum volumul compartimentului de congelare, utilizatorul poate îndepărta unul sau mai multe sertare din aparat, în funcție de modul de utilizare dorit. Dacă scoateți un sertar, rotiți raftul din grilaj de sub sertar la 180 de grade, pentru ca produsul să fie cât mai eficient din punct de vedere energetic.

Pentru a economisi energie, nu scoateți sertarul inferior al congelatorului.

Sertarele

Sertarele pot fi utilizate pentru conservarea alimentelor congelate.

Pentru a scoate un sertar, trageți-l, apoi ridicați-l.

Sertarul poate fi poziționat prin parcurgerea în ordine inversă a pașilor de mai sus.

Atenție! Nu închideți ușa congelatorului dacă rafturile sunt extinse sau capacul rabatabil și/sau sertarele sunt deschise, deoarece acestea și ușa congelatorului pot suferi deteriorări.

XI. DEPOZITAREA ALIMENTELOR

Recomandări privind congelarea

- La prima pornire sau după o perioadă de neutilizare, lăsați aparatul să funcționeze cel puțin 2 ore la setări pentru temperaturi scăzute înainte de a pune produsele alimentare în compartimente.
- Pregătiți porții mici de alimente, care să poată fi congelate rapid și complet, pentru ca apoi să puteți dezgheța numai cantitatea necesară.
- Împachetați alimentele în folie de aluminiu sau polietilenă.
- Asigurați-vă că alimentele proaspete necongelate nu intră în contact cu cele deja congelate, evitând astfel creșterea temperaturii acestora din urmă.
- În cazul în care sunt consumate imediat după ce sunt scoase din congelator, produsele înghețate pot cauza degerături.
- Se recomandă etichetarea și datarea fiecărui pachet de alimente congelate, pentru a ține evidența duratei de conservare.

Recomandări privind conservarea alimentelor congelate

- Asigurați-vă că alimentele congelate au fost depozitate în mod corect de către comercianți.
- După dezghețare, alimentele se deteriorează rapid și nu trebuie recongelate. Nu depășiți perioadele de păstrare indicate de producătorul alimentelor.

Oprirea aparatului

În cazul în care aparatul urmează a fi oprit pentru o perioadă mai îndelungată, parcurgeți pașii de mai jos pentru a preveni formarea mucegaiului.

1. Scoateți toate alimentele din aparat.
2. Deconectați ștecărul de la sursa de alimentare cu energie.
3. Curățați și uscați bine interiorul.
4. Asigurați-vă că ușile sunt întredeschise pentru a permite circulația aerului.

Pentru a evita contaminarea alimentelor, respectați instrucțiunile de mai jos:

- Dacă ușa aparatului este lăsată deschisă pe perioade lungi, temperatura din compartimentele aparatului crește semnificativ.
- Curățați periodic suprafețele care pot intra în contact cu alimentele, precum și sistemele de scurgere ale aparatului.
- Compartimentele de congelare cu două stele sunt potrivite pentru păstrarea alimentelor precongelate, păstrarea sau prepararea înghețatei și producerea cuburilor de gheață.
- Compartimentele cu una, două și trei stele nu sunt potrivite pentru congelarea alimentelor proaspete.

Notă: Vă rugăm să păstrați alimentele în compartimentele corespunzătoare și la temperaturile de depozitare recomandate.

- Dacă aparatul frigorific este lăsat gol pe perioade lungi, opriți-l, decongețați-l, curățați-l, ștergeți-l bine și lăsați-i ușa deschisă, pentru a preveni formarea mucegaiului în interiorul acestuia.
- Atunci când congelați alimente, asigurați-vă că acestea nu ating suprafețele interioare ale compartimentului de congelare.
- Atunci când congelați alimente, pentru prevenirea uscării acestora și a răspândirii mirosurilor, depozitați-le în recipiente sau pungi etanșe, fabricate din materiale inisipide, impermeabile și netoxice.
- Alimentele fierbinți trebuie lăsate să se răcească la temperatura camerei, apoi introduse în compartimentul de congelare. În caz contrar, acestea vor afecta starea celorlalte alimente și vor duce la creșterea consumului de energie electrică.

Nr. de ordine	Tipul compartimentului	Temperatură de depozitare recomandată [°C]	Alimente
1	(***)*-Congelare	≤-18	Fructele de mare (peștele, creveții, crustaceele), produsele acvatice și cele din carne sunt potrivite pentru congelare (se recomandă depozitarea acestora timp de 3 luni; cu cât durata de depozitare este mai mare, cu atât gustul și proprietățile nutritive se pierd).
2	***-Congelare	≤-18	Fructele de mare (peștele, creveții, crustaceele), produsele acvatice și cele din carne nu sunt potrivite pentru congelare (se recomandă depozitarea acestora timp de 3 luni; cu cât durata de depozitare este mai mare, cu atât gustul și proprietățile nutritive se pierd).
3	** - Congelare	≤-12	Fructele de mare (peștele, creveții, crustaceele), produsele acvatice și cele din carne nu sunt potrivite pentru congelare (se recomandă depozitarea acestora timp de 2 luni; cu cât durata de depozitare este mai mare, cu atât gustul și proprietățile nutritive se pierd).
4	*-Congelare	≤-6	Fructele de mare (peștele, creveții, crustaceele), produsele acvatice și cele din carne nu sunt potrivite pentru congelare (se recomandă depozitarea acestora timp de 1 lună; cu cât durata de depozitare este mai mare, cu atât gustul și proprietățile nutritive se pierd).

XII. CURĂȚAREA ȘI DEZGHEȚAREA

Din motive de igienă, aparatul (inclusiv accesoriile exterioare și interioare) trebuie curățat cu regularitate, cel puțin o dată la două luni.

Atenție! În timpul curățării, aparatul trebuie să fie deconectat de la sursa de alimentare cu energie electrică. Pericol de electrocutare! Înainte de efectuarea operațiilor de întreținere, opriți aparatul și scoateți ștecărul din priză.

Curățarea exteriorului aparatului

Ștergeți panoul de control cu o cârpă curată și moale.

- Pulverizați apă pe cârpă, nu direct pe suprafața aparatului. Acest lucru ajută la o distribuire uniformă a umezelii pe suprafețe.
- Curățați ușile, mânerul și suprafețele carcasi cu un detergent slab, apoi ștergeți-le cu o lavetă moale.

Atenție!

- Nu folosiți obiecte ascuțite, deoarece acestea pot zgâria suprafețele.
- Nu utilizați diluant, detergent auto, clor, uleiuri eterice, agenți de curățare abrazivi sau solvenți organici. Acestea pot deteriora suprafața aparatului și pot provoca incendii.

Curățarea interiorului aparatului

Interiorul aparatului trebuie curățat periodic.

- Interiorul poate fi curățat mai ușor atunci când în aparat nu sunt multe alimente.
- Ștergeți interiorul aparatului cu o soluție diluată din bicarbonat de sodiu. Clătiți cu apă caldă, utilizând un burete sau o lavetă stoarsă.
- Ștergeți rafturile și sertarul pentru legume înainte de a le reintroduce în aparat.
- Ștergeți bine toate suprafețele și componentele detașabile.
- Chiar dacă acest aparat se dezgheață automat, formarea unui strat de gheață pe pereții interiori ai compartimentului de congelare este posibilă în cazul în care ușa este deschisă în mod frecvent sau este lăsată deschisă prea mult timp. Dacă stratul de gheață este prea gros, alegeți un moment în care congelatorul este aproape gol și procedați după cum urmează:
 1. Scoateți alimentele și accesoriile, deconectați aparatul de la sursa de alimentare și lăsați ușile deschise. Aerisiți bine încăperea, pentru a accelera procesul.
 2. După finalizarea procesului de dezghețare, curățați compartimentul de congelare așa cum este descris mai sus.

Avertisment!

Nu folosiți obiecte ascuțite pentru a îndepărta gheața din compartimentul de congelare. Aparatul trebuie reconectat la sursa de alimentare și repornit numai după ce interiorul acestuia este complet uscat.

Curățarea garniturilor ușilor

Păstrați curate garniturile ușilor. Alimentele și băuturile lipicioase pot face ca garniturile să se lipească de carcasă și să se rupă atunci când deschideți ușa. Spălați garniturile cu detergent delicat și apă caldă. După curățare, clătiți și ștergeți bine garniturile.

Atenție! Aparatul poate fi conectat la sursa de alimentare cu energie electrică numai după ce garniturile sunt complet uscate.

Dezghețarea

Frigiderul este conceput pe baza principiului de răcire cu aer și, prin urmare, este prevăzut cu o funcție de dezghețare automată.

XIII. REMEDIEREA PROBLEMELOR

În cazul în care aveți probleme cu aparatul sau vă preocupă faptul că acesta nu funcționează corect, puteți efectua unele verificări simple înainte de a apela la asistență tehnică specializată.

Avertisment! Nu încercați să reparați aparatul pe cont propriu. Dacă problema persistă după ce ați efectuat verificările menționate mai jos, contactați un electrician calificat, un tehnician autorizat sau magazinul de unde ați achiziționat produsul.

Problemă	Cauză posibilă și soluție
Aparatul nu funcționează corect.	Asigurați-vă că ștecărul este introdus corespunzător în priza de curent.
	Verificați siguranța sau circuitul sursei de alimentare; dacă este necesar, înlocuiți siguranța.
Compartimentele emană mirosuri neplăcute	Temperatura ambiantă este prea scăzută. Este normal ca aparatul să nu funcționeze pe durata ciclului de dezghețare automată sau pentru o perioadă scurtă după pornire, pentru a proteja compresorul.
	Este posibil să fie necesară curățarea interiorului aparatului. Anumite alimente, recipiente sau ambalaje emană mirosuri.
Aparatul produce zgomote.	Zgomotele enumerate mai jos sunt normale: <ul style="list-style-type: none"> • Zgomote provocate de funcționarea compresorului. • Zgomote provocate de curentul de aer provenit de la ventilator, în compartimentul de congelare sau în alte compartimente. • Clipocit similar cu zgomotul produs de apă. • Pocnituri în timpul dezghețării automate. • Păcănituri înainte de pornirea compresorului.
	Alte zgomote neobișnuite pot avea una dintre cauzele de mai jos și poate fi necesară luarea de măsuri: Aparatul nu este echilibrat. Partea din spate a aparatului atinge peretele. Sticlele sau recipientele cad sau se rostogolesc.
Motorul funcționează fără întrerupere	Este normal ca sunetul cauzat de funcționarea motorului să se audă frecvent, acesta funcționând mai mult în următoarele cazuri: <ul style="list-style-type: none"> • Temperatura este setată la un nivel mai scăzut decât este necesar. • O cantitate mare de alimente a fost introdusă recent în aparat. • Temperatura din exteriorul aparatului este prea ridicată. • Ușile sunt lăsate deschise prea mult timp sau sunt deschise prea des. • După instalarea aparatului sau după ce acesta a fost oprit pentru o perioadă îndelungată.
Se formează un strat de gheață în compartiment.	Asigurați-vă că orificiile de ieșire a aerului nu sunt blocate de alimente și că alimentele sunt așezate corespunzător în compartimente și permit circulația aerului. Asigurați-vă că ușa este închisă bine. Pentru sfaturi privind îndepărtarea gheții, vă rugăm să consultați secțiunea referitoare la curățare.
Temperatura din interiorul aparatului este prea ridicată.	Este posibil să fi lăsat ușile deschise pentru prea mult timp sau să le fi deschis prea des; sau închiderea ușilor este împiedicată de obstacole; sau nu ați lăsat un spațiu suficient aparatul în părțile laterale, în spatele sau deasupra aparatului.
Temperatura din interiorul aparatului este prea scăzută.	Măriți temperatura, urmând instrucțiunile din secțiunea referitoare la setarea temperaturii.

Ușile nu pot fi închise cu ușurință	Verificați dacă un obiect din interior împiedică închiderea ușilor sau dacă partea de sus a frigiderului este înclinată către înapoi 10-15 mm pentru a permite ușilor să se închidă singure.
Se aud bolboroseli în frigider.	Acest lucru este normal. Zgomotul este produs de agentul de refrigerare care circulă prin conductele frigiderului.
Curge apă pe podea	Tava de colectare a apei (situată în partea inferioară din spatele carcasei) nu este așezată corect, duza de evacuare a apei (aflată sub partea superioară a suportului compresorului) este înfundată sau nu este poziționată corespunzător și nu direcționează apa către tava de colectare. Este posibil să fie necesar să îndepărtați frigiderul de perete pentru a verifica tava și duza.

SERVICE ȘI ASISTENȚĂ PENTRU CLIENȚI

Utilizați numai piese de schimb originale.

Când contactați centrul nostru de service autorizat, asigurați-vă că aveți la îndemână următoarele informații: Denumirea modelului și numărul de serie.

Informațiile pot fi găsite pe plăcuța cu date tehnice. Acestea pot suferi modificări fără o notificare prealabilă.

DATE TEHNICE

Informațiile tehnice se află pe plăcuța cu date tehnice a aparatului și pe eticheta energetică.

Codul QR de pe eticheta energetică furnizată împreună cu aparatul oferă un link web către informațiile din baza de date EPREL cu privire la performanțele aparatului.

Păstrați eticheta energetică pentru consultări ulterioare, împreună cu manualul de utilizare și cu toate celelalte documente furnizate împreună cu acest aparat.

De asemenea, puteți găsi aceleași informații în baza de date EPREL, folosind link-ul <https://eprel.ec.europa.eu> și denumirea modelului o găsiți pe plăcuța cu date tehnice a aparatului.

Pentru a accesa informațiile despre produsul dvs. în portalul EPREL, puteți scana codurile de mai jos:



Vă mulțumim pentru achiziționarea acestui produs! Dacă aveți nevoie de asistență în ceea ce privește produsul dumneavoastră, vizitați site-ul nostru web utilizând linkurile de mai jos:

Manuale de utilizare: <https://www.heinner.ro>

Informații referitoare la service: <https://www.heinner.ro>



MASURI PENTRU PROTECTIA MEDIULUI

Va informam ca persoanele fizice au urmatoarele obligatii prin legislatia specifica privind protectia mediului si regimul deseurilor:

- Deseurile de echipamente electrice si electronice (DEEE), pot contine substante periculoase pentru mediu si sanatatea umana. Conform OUG 5/2015, exista obligativitatea predarii acestora, pentru tratarea corespunzatoare si valorificarea componentelor reciclabile. Societatea Network One Distribution S.R.L. este platitoare de taxa de " timbru verde" pentru fiecare Echipament Electric si Electronic (EEE) pe care il pune pe piata. Acest cost asigura tratarea ulterioara a echipamentelor uzate colectate. Din acest motiv, odata ce devine deeu, produsul EEE poate fi predat gratuit operatorului Dvs. de salubritate, la magazine atunci cand achizitionati alt echipament similar, sistemul "unul la unu "sau la punctul de colectare organizat de Primaria Sectorului / localitatii Dvs.
- Simbolul (marcajul) aplicat produselor, care indica faptul ca deseurile DEEE, bateriile si acumulatorii - fac obiectul unei colectari separate, il reprezinta o pubela barata cu o cruce.



Aceste masuri vor ajuta la protejarea mediului

Societatea Network One Distribution S.R.L. este inscrisa in Registrul de punere pe piata a echipamentelor electrice si electronice, avand numarul de inregistrare: RO-2016-03-EEE-0201-IV. De asemenea, au fost intocmite si sunt gestionate: Registrul de Retragere EEE si Registrul de Rechemare EEE, in conformitate cu HG 322/2013. Totodata societatea este inscrisa in Registrul de punere pe piata a bateriilor, avand numarul de inregistrare: RO-2011-03-B&A-0283.

Conformitatea cu directiva RoHS: Produsul pe care l-ati cumpărat este conform cu Directiva RoHS UE (2011/65/UE). Nu conține materialele dăunătoare și interzise specificate în Directivă.

Va multumim ca participati alaturi de noi la protejarea mediului si a sanatatii umane!



HEINNER este marcă înregistrată a companiei **Network One Distribution SRL**. Celelalte branduri și denumirile produselor sunt mărci de comerț sau mărci de comerț înregistrate ale respectivilor deținători.

Nicio parte a specificațiilor nu poate fi reprodusă sub nicio formă și prin niciun mijloc, nici utilizată pentru obținerea unor derivate precum traduceri, transformări sau adaptări, fără consimțământul prealabil al companiei NETWORK ONE DISTRIBUTION.

Copyright © 2013 Network One Distribution. Toate drepturile rezervate.

www.heinner.com, <http://www.nod.ro>

<http://www.heinner.com>, <http://www.nod.ro>



Acest produs este proiectat și realizat în conformitate cu standardele și normele Comunității Europene.

Importator: **Network One Distribution**

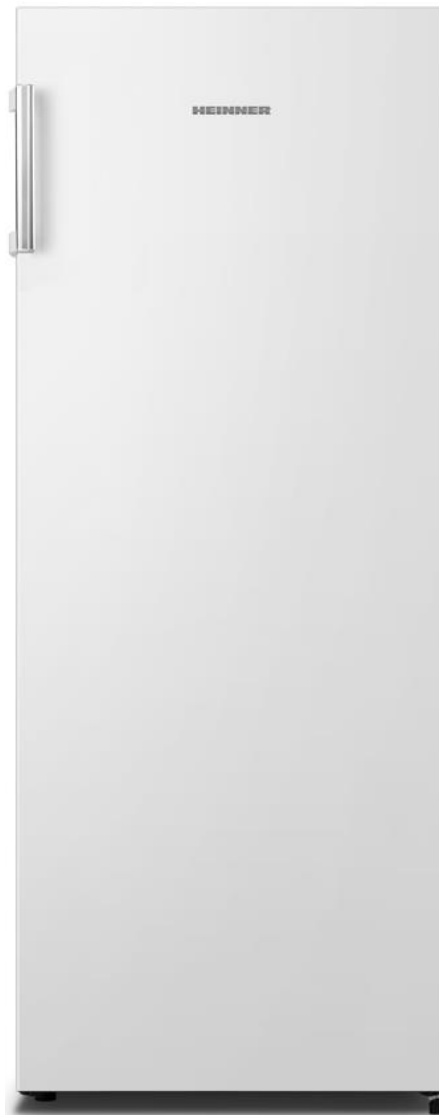
Str. Marcel Iancu, nr. 3-5, București, România

Tel: +40 21 211 18 56, www.heinner.com, www.nod.ro

HEINNER

ФРИЗЕР

Модел: HFF-HS155NFE++



- Фризер
- Енергиен клас: E
- общ капацитет: 155 литра

Благодарим Ви, че избрахте този продукт!

I. ВЪВЕДЕНИЕ

Моля прочетете внимателно инструкциите и запазете наръчника за бъдещи справки.

Този наръчник има за цел да Ви предостави всички необходими инструкции по отношение на инсталирането, използването и поддържането на уреда. Преди инсталиране и използване на уреда, с цел правилна и безопасна употреба на уреда, моля прочетете внимателно този наръчник с инструкции.

II. СЪДЪРЖАНИЕ НА ВАШИЯ ПАКЕТ



- Хладилник
- Наръчник за употреба
- Гаранционна карта

III. ПРЕДУПРЕЖДЕНИЯ ОТНОСНО БЕЗОПАСНОСТТА

За Вашата безопасност и за правилна употреба, преди да инсталирате и използвате устройството за първи път, прочетете внимателно този наръчник за потребителя, включително препоръките и предупрежденията. За да се избегнат излишни грешки и злополуки е много важно да се уверите, че всички хора, които използват устройството са запознати с начина на експлоатация и мерките за безопасност. Запазете тези инструкции и се уверете, че ще останат заедно с уреда, ако той бъде преместен или продаден, така че всеки, който го използва в срок на неговата експлоатация да бъде добре информиран във връзка с неговата употреба и с мерките за сигурност.

За безопасност на живота и имуществото, спазвайте разпоредбите в този наръчник за потребителя, тъй като производителя не носи отговорност за щетите причинени поради пропуски.

Безопасност за деца и други уязвими лица

- Съгласно стандарт EN: Уредът може да се използва от деца на възраст най-малко 8 години и от лица с намалени физически, сетивни или умствени способности, или с липса на достатъчен опит и познания, само ако са под наблюдение или са получили указания във връзка с използването на уреда по безопасен начин и ако разбират опасностите, които могат да възникнат при използване на уреда. Децата нямат право да си играят с уреда. Почистването и поддръжката не трябва да се извършват от деца, които не са под наблюдение.
- Децата на възраст над 3 години имат право да поставят и изваждат храни от хладилните уреди.
- Съгласно стандарт IEC: Уредът не е предназначен за употреба от лица (включително деца), които имат физически, сетивни или умствени затруднения или които нямат необходимите познания и опит, освен ако се намират под наблюдение или са обучени как да използват уреда от страна на лице, което отговаря за тяхната безопасност.
- Децата трябва да бъдат под наблюдение, така че да не си играят с уреда.
- Не оставяйте опаковките на достъпни места за деца. Опасност от задушаване.
- За да избегнете ситуации, в които децата могат да пострадат от токов удар или да се затворят вътре в устройството, преди да го изхвърлите, изключете щепсела от контакта, отрежете храняващия кабел (възможно най-близо до устройството) и премахнете вратата на уреда.
- Ако това устройство (което е снабдено с магнитна система за затваряне) заменя по-стар уред, снабден с пружинно затваряне (клипс) на вратата или на капака, преди да изхвърлите старото устройство се уверете, че пружинното затваряне не може да се използва повече. По този начин децата не могат да останат блокирани вътре.

Предупреждение! В инструкциите за употреба или в наръчника за употреба, доставен със всеки хладилник, е включено предупреждение относно риска от заключване на деца във вътрешността на уреда.

Внимание! Риск от блокиране на децата във вътрешността на уреда. Преди да изхвърлите стария хладилник или фризер:

- Извадете вратите.
- Оставете рафтовете на тяхното място, така че децата да не могат да влизат лесно във вътрешността на уреда.

Общи мерки за безопасност

ПРЕДУПРЕЖДЕНИЕ! Този уред е предназначен за използване в жилища и други подобни помещения:

- кухни на персонала в магазини, офиси и други работни среди;
- в домакинствата и от клиенти на хотели, мотели и други жилищни среди;
- среди от тип пансион с предлагана закуска;
- дейности от вида на кетъринг и доставки на едро.

ПРЕДУПРЕЖДЕНИЕ! Не съхранявайте в това устройство взривни вещества, като аерозолни спрейове със запалима течност.

ПРЕДУПРЕЖДЕНИЕ! Ако захранващият кабел е повреден, той трябва да се подмени от производителя, сервизния персонал или от лица с подобна квалификация, за да се избегнат евентуални опасности.

ПРЕДУПРЕЖДЕНИЕ! Уверете се, че отворите за проветрение върху корпуса на уреда или върху неговото тяло не са запушени.

ПРЕДУПРЕЖДЕНИЕ! Не използвайте механични устройства или други средства за ускоряване на процеса за размразяване освен тези, които са препоръчани от производителя.

ПРЕДУПРЕЖДЕНИЕ! Не повреждайте мрежата на хладилния агент.


ПРЕДУПРЕЖДЕНИЕ! Не използвайте електрически уреди на местата за съхраняване на храни в този уред, освен ако са от типа на тези, които се препоръчват от производителя.

ПРЕДУПРЕЖДЕНИЕ! Хладилният агент и изолационният газ са запалими. Елиминирайте уреда само чрез депониране в оторизиран център за елиминиране на отпадъци. Не излагайте уреда на огън.

ПРЕДУПРЕЖДЕНИЕ! Когато позиционирате уреда, уверете се, че не сте смачкали или повредили захранващия кабел.

ПРЕДУПРЕЖДЕНИЕ! Не поставяйте зад уреда разклонители за контакт или преносими източници на захранване.

ПРЕДУПРЕЖДЕНИЕ! Опаковайте храните в торбички и поставете течностите в бутилки или в покрити съдове, преди да ги поставите в хладилника, за да се избегне замърсяването на вътрешните компоненти на уреда.

Символът  предупреждава за това, че хладилният агент и изолиращият газ са запалими.



ВНИМАНИЕ! Опасност от пожар/запалими материали

Ако охладителната верига е повредена:

- Избягвайте употребата на открит пламък и източници за запалване.
- Проветрете добре стаята, в която се намира устройството.

Смяна на крушки

ПРЕДУПРЕЖДЕНИЕ - Крушките не трябва да се сменят от потребителя! Ако крушките се повредят, обърнете се към специализиран сервиз. Това предупреждение е валидно само за хладилници, оборудвани с осветителни лампи.

Хладилният агент

Хладилната верига на устройството съдържа охладителен агент R600a (изобутан), природен газ с висока степен на съвместимост с околната среда, но запалим. По време на транспортирането и монтажа на устройството се уверете, че нито един от компонентите на хладилната верига не е повреден. Хладилният агент (R600a) е запалим.

ПРЕДУПРЕЖДЕНИЕ! Хладилниците съдържат хладилен агент и изолационни газове. Хладилният агент и газовете трябва да бъдат обезвредени по съответстващ начин, защото могат да предизвикат очни наранявания или могат да се запалят. Преди обезвреждане, уверете се, че системата от тръбопроводи на охлаждащия кръг не е повредена.

Ако охладителната верига е повредена:

- Избягвайте употребата на открит пламък и източници за запалване.
- Проветрете добре стаята, в която се намира устройството.

- Всякаква промяна на спецификациите или на продукта е опасна.

- Всяка повреда на захранващият кабел може да създаде риск от късо съединение, пожар или токов удар.

Електрическа безопасност

1. Не удължавайте захранващият кабел.
2. Уверете се, че щепсела не е смачкан или повреден. В случай, че захранващият кабел е смачкан или повреден, той може да прегрее и да причини пожар.
3. Уверете се, че имате достъп до щепсела на устройството.
4. Не дърпайте захранващият кабел.
5. Ако контакта, в който трябва да се включи щепсела е разхлабен, не включвайте щепсела в него. Съществува риск от токов удар и пожар.
6. Не употребявайте устройството без капак на лампата за вътрешно осветление.
7. Уредът може да се захранва само от еднофазна променлива електрическа верига, от 220-240V / 50Hz. Ако промените в напрежението в зоната, в която живее потребителят, не попадат в границите на диапазона на напрежение по-горе, за безопасност, използвайте автоматичен регулатор на напрежението AC с мощност по-голяма от 350 W. Уредът трябва да се захранва от отделен контакт, а не от контакт, към който са свързани и други електрически уреди. Щепселът трябва да е съвместим с контакта за заземяване.

IV. ЕЖЕДНЕВНА УПОТРЕБА

- Не съхранявайте газове или запалими течности в устройството; съществува риск от експлозия.
- Не използвайте електрически устройства във вътрешността на уреда (например електрически устройства за правене на сладолед, миксери и др.).
- Когато го изключвате от контакта, винаги изваждайте щепсела от контакта, не дърпайте кабела.
- Не поставяйте горещи предмети върху пластмасовите компоненти на устройството.
- Не поставяйте храни точно до отвора за извеждане на въздух, който се намира на задната стена от вътрешността на уреда.
- Съхранявайте опакованите замразени храни в съответствие с инструкциите на производителя на замразените храни.
- Спазвайте стриктно препоръките за съхранение от страна на производителя на това устройство. Вижте съответните указания.
- Не съхранявайте газирани напитки във фризера, защото се създава налягане върху съдовете, които могат да експлодират, което води до повреди на устройството.
- Замразените храни могат да предизвикат измръзване, ако се консумират директно от фризера.
- Не излагайте устройството на пряка слънчева светлина.
- Дръжте запалени свещи, лампи и други предмети с отворен пламък възможно най-далече от устройството, така че то да не се запали.
- Устройството е предназначено за съхранение на хранителни продукти и/или напитки в обикновено жилище, както е обяснено в този наръчник за потребителя. Устройството е тежко. Внимавайте, когато го премествате.
- Не изваждайте и не докосвайте предмети от фризера, ако ръцете Ви са влажни / мокри, защото това може да причини увреждания на кожата или измръзване.
- Никога не използвайте основата, чекмеджетата, вратите и др., за да се качвате върху тях или като подложка.
- Не замразявайте повторно размразени храни.
- Не яжте сладолед или ледени кубчета директно от фризера, защото могат да причинят измръзване на устата или устните.
- За да предотвратите падане на предмети и причиняване на телесни наранявания или повреждане на уреда, не претоварвайте рафтовете върху вратата и не поставяйте твърде много храни в контейнера за плодове и зеленчуци.
- Този хладилен уред не е предназначен да се използва като вграден уред

V. ПОЧИСТВАНЕ И ПОДДРЪЖКА

- Преди мерките за поддръжка, изключете устройството и извадете щепсела от контакта.
- Не почиствайте устройството с метални предмети, почистващи уреди на пара, етерични масла, органични разтворители или абразивни прахове.
- Не използвайте остри предмети за отстраняване на леда от устройството. Използвайте пластмасова стъргалка.

VI. ИНСТАЛИРАНЕ

- За свързване на уреда към източник на захранване с електроенергия, следвайте внимателно инструкциите от настоящия наръчник.
- Разопакувайте устройството и проверете за повреди.
- Ако уреда е повреден, не го свързвайте към източника за захранване. Ако устройството е повредено, незабавно съобщете това на търговеца, от който сте го закупили. В такъв случай запазете опаковката.
- Препоръчваме Ви да изчакате най-малко четири часа, преди да свържете устройството към електрическата мрежа, за да може маслото да има време да се върне в компресора.
- Въздухът трябва да може да се движи свободно около устройството. Без тази вентилация, уреда може да прегрее. За да получите подходяща вентилация спазвайте инструкциите за инсталиране.
- Задната страна на продукта не трябва да се намира твърде близо до стената, за да се предотврати контакта или захващането на топлите компоненти (компресор, кондензатор). За предотвратяване на риска от възникване на пожар, следвайте инструкциите за инсталиране.
- Не поставяйте устройството близо до радиатори или готварски печки.
- Уверете се, че имате достъп до щепсела, след инсталиране на устройството.

VII. РЕМОНТИ И СПЕСТЯВАНЕ НА ЕЛЕКТРОЕНЕРГИЯ

Ремонти

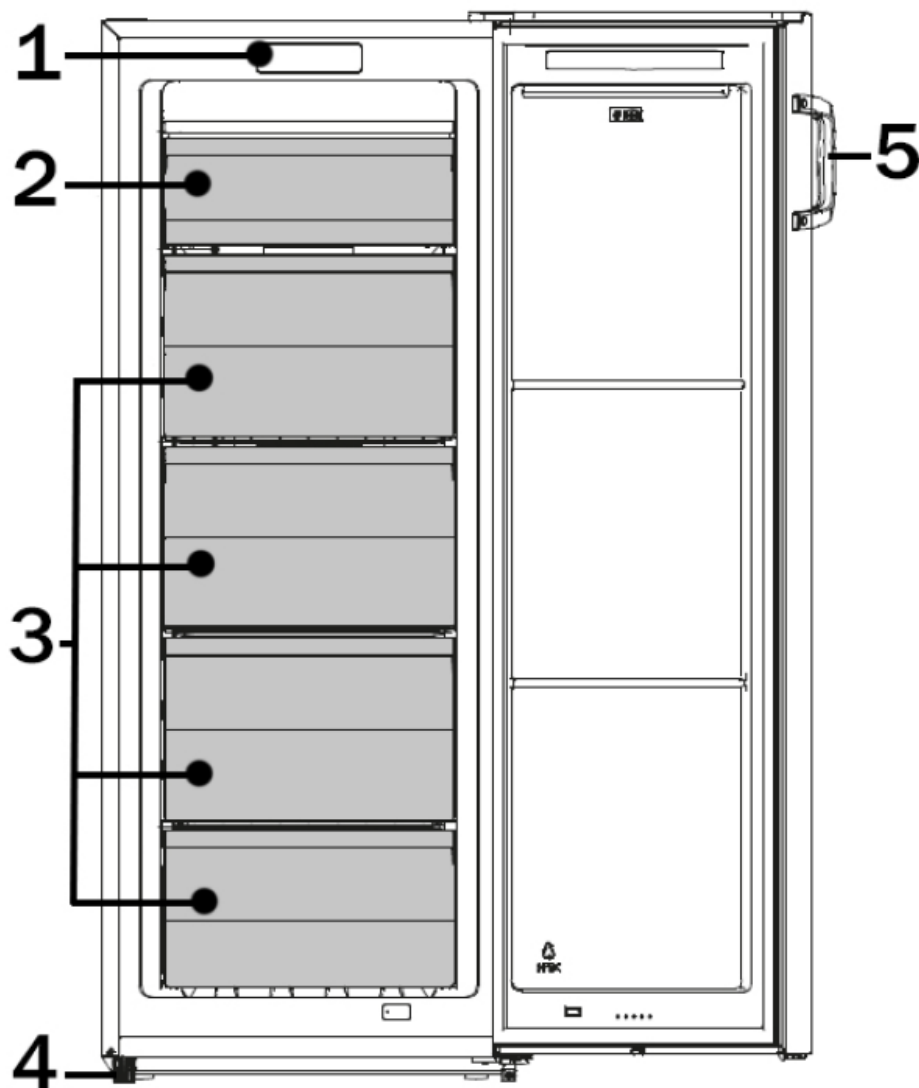
- Електрическата работа за ремонтване на уреда трябва да се извършва от квалифициран електротехник или от специализиран персонал.
- Продуктът трябва да бъде ремонтиран от оторизиран сервизен център, като се използват само оригинални резервни части.

Съвети за икономия на електроенергия

Препоръчваме Ви да следвате съветите по-долу с оглед икономия на електроенергия.

- За икономия на електроенергия, моля не оставяйте вратата отворена за дълго време.
- Уверете се, че уредът не е инсталиран в близост до източници на топлина (пряка слънчева светлина, електрическа или газова фурна и др.).
- Не настройвайте температурата на по-ниско ниво от необходимото.
- Не съхранявайте в уреда топла храна или течности, които се изпаряват.
- Инсталирайте уреда в добре проветрено помещение, с ниска относителна влажност. Моля вижте главата относно инсталацията на уреда.
- Ако скицата Ви показва правилната комбинация за чекмеджетата и рафтовете, не коригирайте комбинацията, ще доведе до по-висок разход на енергия.

VIII. ОПИСАНИЕ НА ПРОДУКТА



1. Контролен панел	4. Крака
2. Сгъваем капак	5. Дръжка на вратата
3. Чекмеджета	

Поради непрекъснатите изменения на продуктите, Вашият уред може да е малко по-различен от описания в този наръчник за употреба, но функциите и начинът на употреба си остават същите.

За да постигнете най-добрата енергийна ефективност на този продукт, моля, поставете всички рафтове, чекмеджета и кошници в първоначалното им положение, както е показано на илюстрацията по-горе.

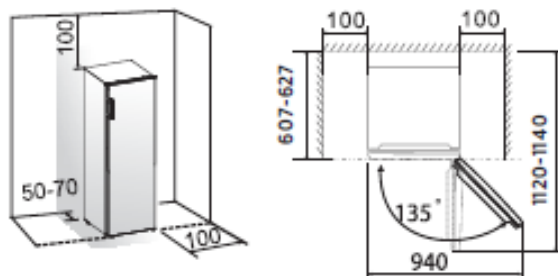
IX. ИНСТАЛИРАНЕ

Преди първата употреба на уреда, моля, прочетете препоръките по-долу.

Проветряване на уреда

Трябва да се осигури добра вентилация около хладилника за улесняване на разсейването на топлината, за по-висока ефективност на функционирането и за ниска консумация на електроенергия. За тази цел трябва да оставите достатъчно свободно пространство около хладилника.

Препоръчваме Ви да оставите разстояние от 50-70 мм между задната страна на хладилника и стената, най-малко 100 мм от двете страни, разстояние над 50 мм от горната страна до тавана, както и свободно пространство отпред, което да позволява отваряне на вратите на 135°. Следвайте схемите по-долу.



Забележка: Този уред функционира по съответстващ начин в климатичните класове от N, ST, T посочени в таблицата по-долу.

Ако уредът е оставен за по-дълъг период при по-висока или по-ниска температура спрямо посочените граници на интервала, е възможно той да не функционира вече правилно.

Климатичен клас	Температура на помещението
SN	от +10° C до +32° C
N	от +16° C до +32° C
ST	от +16° C до +38° C
T	от +16° C до +43° C

Инсталирайте уреда на сухо място и с ниска относителна влажност.

Не излагайте уреда на пряка слънчева светлина, дъжд или студ. Инсталирайте уреда далеч от източници на топлина като печки или нагреватели.

Нивелиране на уреда

За осигуряване на ефикасно нивелиране и оптимална циркулация на въздуха в задната страна на уреда, може да се налага регулиране на крачетата на уреда.

Регулирането на крачетата може да се реализира ръчно или с помощта на подходящ ключ. За да могат вратите да се затварят сами, наклонете уреда назад около 10 мм.

Обръщане на посоката на отваряне на вратата

Посоката на отваряне на вратата може да бъде обърната, като се преминава от отваряне надясно (както е монтиран уредът фабрично) към отваряне наляво, ако е необходимо.

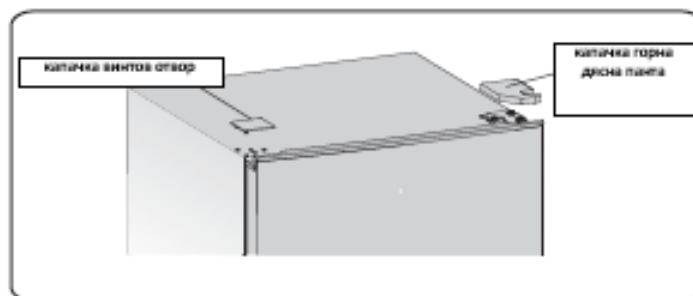
Предупреждение! Когато обръщате вратата, уредът не трябва да бъде свързан към източника на захранване с електроенергия. Уверете се, че щепселът е изваден от контакта.

Имате нужда от следните инструменти:

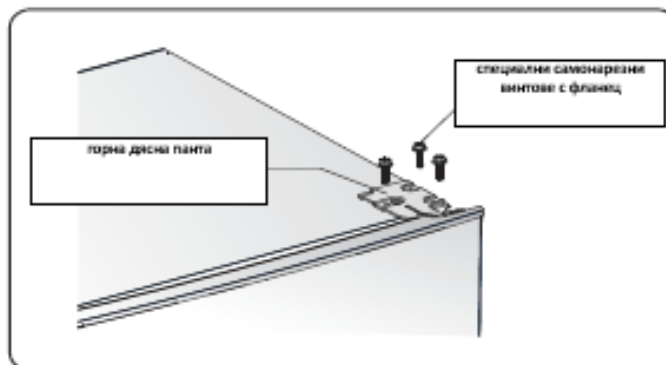
Не са доставени		
		
Тресчотка 8 мм	Права отвертка	Шпакла
		
Кръстата отвертка	Френски ключ	Гачен ключ 8 мм
Допълнителни компоненти (в найлоновата тгпбичка)		
		
Капачка лява панта		

Забележка: Преди да започнете, за да имате достъп до основата на уреда, поставете го на задната страна върху парче от полистирол или от подобен материал, за да избегнете повреждането на компонентите от задната страна на уреда. За да обърнете посоката на отваряне на вратата, се препоръчва да преминете стъпките по-долу:

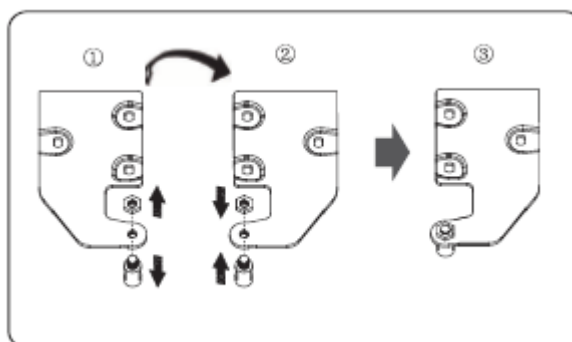
1. Използвайте шпакла или права отвертка, за да извадите капачката от отвора, който се намира в горния ляв ъгъл на уреда, след това извадете капачката на горната панта, която се намира в горния десен ъгъл на уреда.



2. С помощта на тресчотка 8 мм или ключ развийте специалните самонарезни винтове с фланец, които се използват за фиксиране на горната дясна панта (моля, придържайте горната врата с ръка по време на тази операция).

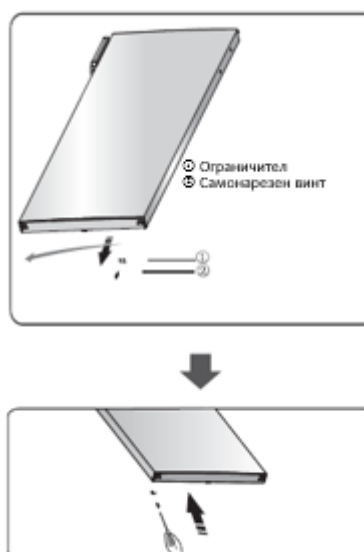


3. Извадете оста на горната панта, преместете оста в противоположната страна и затегнете я добре.



4. Извадете вратата от долната панта. **ЗАБЕЛЕЖКА:** При изваждане на вратата, внимавайте шайбата или шайбите между долната панта и долната страна на долната врата да не останат залепени за вратата. Не ги губете.

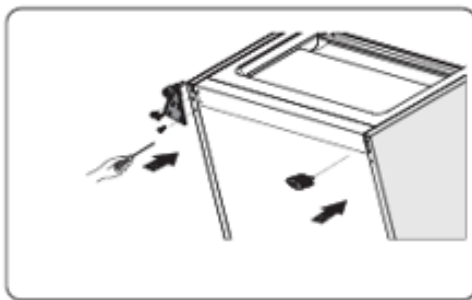
5. Поставете вратата върху равна повърхност, с панела в горната страна. Извадете винта (2) и частта (1), след това монтирайте ги в лявата страна и затегнете ги добре.



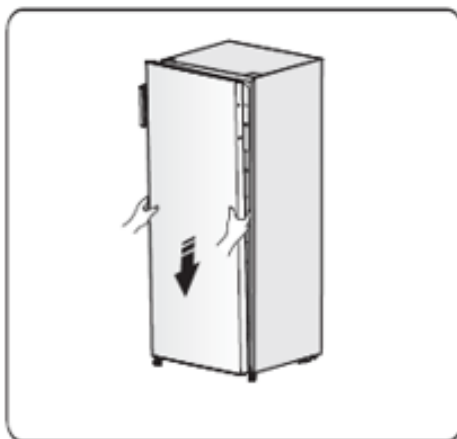
6. Поставете уреда върху опаковка от стиропор или върху подобен материал. Извадете двете регулируеми крачета, след това извадете долната панта чрез развиване на специалните самонарезни винтове с фланец.



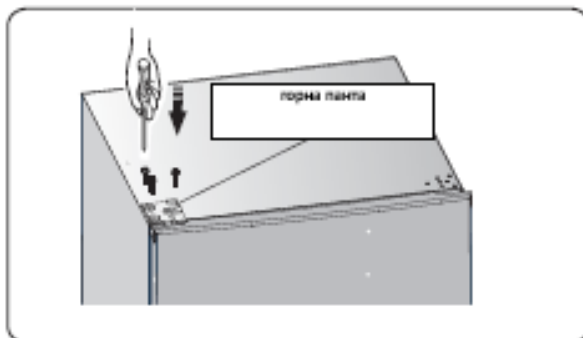
7. Позиционирайте отново долната панта в лявата страна и фиксирайте я с помощта на специалните самонарезни винтове с фланец. Позиционирайте регулируемите крачета в противоположната страна и фиксирайте ги.



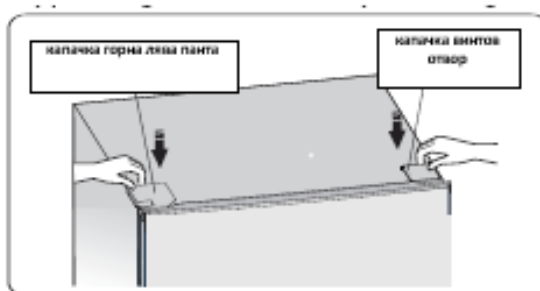
8. Поставете вратата в съответстваща позиция, регулирайте долната панта и вкарайте оста на пантата в долния отвор на вратата.



9. Преместете горната панта и вкарайте оста на горната панта в горния отвор на вратата, след това регулирайте позицията на вратата (моля, придържайте вратата с ръка по време на тази операция), като фиксирате горната панта с помощта на специалните самонарезни винтове с фланец.



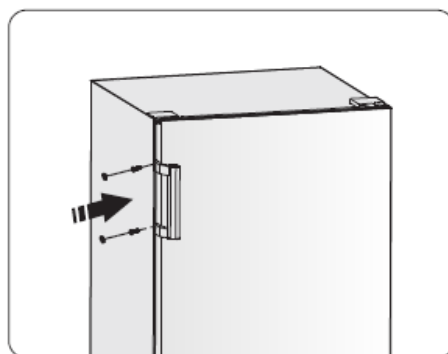
10. Монтирайте капачката в отвора, който се намира в горния десен ъгъл на уреда. Монтирайте капачката на горната панта (намираща се в найлоновата торбичка) в левия ъгъл. Поставете капачката на горната панта в найлоновата торбичка.



Предупреждение! Когато обръщате посоката за отваряне на вратата, уредът не трябва да бъде свързан към източника за захранване с електроенергия. За тази цел, изключете щепсела от източника за захранване с електроенергия.

Монтаж на дръжката на вратата

Вземете дръжката и винтовете от торбичката с аксесоари, извадете капачките от дръжката, позиционирайте дръжката от дясната страна на вратата, след това фиксирайте го с помощта на винтовете и поставете капачките на дръжката.



X. НАСТРОЙКА НА ТЕМПЕРАТУРАТА

Контролният панел, с който може да контролирате температурата на фризерното отделение, се намира във вътрешността на фризера. Използвайте уреда с помощта на контролния панел, показан в изображенията по-долу, който Ви позволява да конфигурирате режима на функциониране на уреда. Когато уредът се включи за първи път, осветяването на иконите върху екрана започва да функционира. Осветяването се изключва в момента на затваряне на вратата.



Контрол на температурата

Важно! Препоръчваме Ви да регулирате температурата на фризера на -18°C . Ако искате да промените температурата, следвайте инструкциите по-долу.

Забележка: Настройването на висока температура ускорява процеса на разваляне на храната.

Внимание! Когато настройвате температурата, настройте средна температура за целия уред.


Температурите във вътрешността на отделението могат да се различават от изписаните на контролния панел, в зависимост от количеството съхранявани храни и тяхното позициониране в уреда. Също така температурата на околната среда може да оказва влияние върху ефективната температура от вътрешната страна на уреда.

Функции на уреда


Функция „Super Freeze“

Функцията "Super Freeze" намалява бързо температурата в камерата, така че храните да могат да бъдат замразени по-бързо. Това води до запазване на витамините и хранителните вещества, и до съхранение на храните за по-дълъг период от време.

- Натиснете и задръжте натиснат бутона „TEMP °C /Super Freeze 3 sec“ за 3 секунди, за да изберете функция „Super Freeze“. Върху екрана ще се изпише

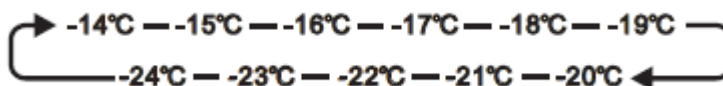
надпис „-24“ и ще се включи индикаторът .

- Няколко часа преди да поставяте пресни храни във фризерното отделение, активирайте функцията „Super Freeze“, за да предотвратите нежелано увеличаване на температурата.
- Ако желаете да използвате уреда при капацитета на замразяване, посочен върху табелката с технически данни, активирайте функцията „Super Freeze“ 24 часа преди да поставите пресни храни във фризерното отделение. Функцията „Super Freeze“ ще се дезактивира автоматично след 52 часа.


- За да деактивирате функцията „Super Freeze”, натиснете върху бутона „TEMP °C /Super Freeze 3 sec”. Заедно с деактивирането на функцията „Super Freeze” ще се изключи и индикатора  , след това уредът ще превключи автоматично на настроената температура преди да бъде активирана функцията „Super Freeze”.

TEMP °C

Може да натискате върху бутона „TEMP °C/Super Freeze 3”, за да активирате режима на контрол на температурата във фризера. При последователно натискане на този бутон, температурата ще бъде настроена съгласно изображението по-долу.



Сигнализиране за отворена врата

- Ако вратата на фризера остане отворена за повече от 1 минута, ще се активира звуковия сигнализатор за отваряне на вратата и индикаторът  ще започне да премигва. Натиснете върху бутона „ALARM”, за да изключите звуковия сигнализатор и премигващия индикатор.
- За да спестите енергия по време на използване на уреда, моля, не оставяйте вратата отворена за дълго време. Звуковият сигнализатор може да се изключи чрез затваряне на вратата.

Използване на Вашия уред

Този раздел съдържа инструкции относно начина на използване на повечето полезни характеристики на уреда. Моля прочетете внимателно тези инструкции преди да използвате уреда.

Използване на фризерното отделение

Фризерното отделение е подходящо за съхранение на храни, които изискват замразяване, включително месо, риба, сладолед и др.

Внимание! Уверявайте се, че не са оставени стъклени бутилки във фризера за по-дълго време от необходимото, тъй като могат да се счупят.

Рафтовете

- Рафтовете са подходящи за съхраняване на храни.
- За да извадите рафта от металната скара, вдигнете го отпред и издърпайте го.

Важно!

За да се оползотвори максимално обема на фризерното отделение, потребителят може да отстрани едно или повече чекмеджета от уреда, в зависимост от желания режим на употреба. Ако извадите едно чекмедже, завъртете рафта от скарата под чекмеджето на 180 градуса, така че продуктът да бъде възможно най-ефективен от енергийна гледна точка.

За да спестите енергия, не изваждайте долното чекмедже на фризера.

Чекмеджета

Чекмеджетата могат да бъдат използвани с цел консервиране на замразени храни.

За да извадите едно чекмедже, дръпнете го и след това вдигнете го.

Чекмеджето може да се позиционира чрез преминаване в обратен ред на стъпките по-горе.

Внимание! Не затваряйте вратата на фризера, ако рафтовете, сгъваемият капак и/или чекмеджетата са отворени, тъй като тези части и вратата на фризера могат да се повредят.

XI. СЪХРАНЯВАНЕ НА ХРАНИ

Препоръки при замразяване

- При първо пускане в експлоатация или след период на неизползване, оставете уреда да функционира най-малко 2 часа при настройки за ниски температури, преди да поставите храни в отделенията.
- Пригответе малки порции храни, които ще могат да бъдат замразени бързо и цялостно, така че да можете да размразявате само необходимото количество.
- Опаковайте храните в алуминиево или полиетиленово фолио.
- Уверете се, че незамразените пресни храни не се допират до вече замразените храни, като по този начин предотвратявате покачването на температурата на последните.
- Ако се консумират веднага след като са извадени от фризера, замразените продукти могат да причинят измръзвания.
- Препоръчително е да отбележите на всеки пакет датата на замразяване, за да знаете периода на замразяване.

Препоръки за запазване на замразените храни

- Уверете се, че замразените храни са съхранявани правилно от търговците.
- След размразяване храните се развалят бързо и не трябва да се замразяват повторно; не превишавайте срока за съхранение, посочен от производителя на храните.

Изключване на уреда

Ако уредът следва да бъде изключен за по-дълго време, изпълнете стъпките по-долу, за да се предотврати образуването на плесен.

1. Извадете всички храни от уреда.
2. Извадете щепсела от източника за захранване с електроенергия.
3. Почистете и подсушете добре вътрешната част.
4. Уверете се, че вратите са претворени, за да се позволи циркулация на въздуха.

За да избегнете заразяването на храни, спазвайте инструкциите по-долу:

- Ако вратата на уреда е оставена отворена за дълъг период от време, температурата в отделенията на уреда се увеличава значително.
- Почиствайте периодично повърхностите, които могат да влязат в контакт с храните, както и източващите системи на уреда.
- Фризерните отделения с две звезди са подходящи за съхранение на предварително замразени храни, за съхранение или приготвяне на сладолед и за производство на кубчета лед.
- Отделенията с една, две и три звезди не са подходящи за замразяване на пресни храни.

Забележка: Моля, съхранявайте храните в подходящите отделения и при препоръчаните температури за съхранение.

- Ако хладилният уред ще бъде оставен празен за дълъг период от време, изключете го, размразете го, почистете го, избършете го добре и оставете вратата му отворена, за да се предотврати образуването на мухъл във вътрешността му.
- Когато замразявате храни, уверявайте се, че не се допират до вътрешните повърхности на фризерното отделение.

- Когато замразявате храни, за предотвратяване на тяхното изсушаване и на разпространението на миризми, съхранявайте ги в плътно затворени съдове или торбички, произведени от материали, които нямат вкус и са водоустойчиви и нетоксични.
- Горещите храни трябва да се оставят да се охладят до стайната температура и след това да се поставят във фризерното отделение. В противен случай ще повлияят на състоянието на другите храни и ще увеличат разхода на електроенергия.

Пореден номер	Тип на отделението	Препоръчвана температура за съхранение [°C]	Храни
1	(***)*-Замразяване	≤ -18	Морските дарове (рибата, скаридите, ракообразните), водните и месните продукти са подходящи за замразяване (препоръчва се тяхното съхранение за 3 месеца; колкото повече е времето за съхранение, толкова повече се губят вкуса и хранителните свойства).
2	***-Замразяване	≤ -18	Морските дарове (рибата, скаридите, ракообразните), водните и месните продукти не са подходящи за замразяване (препоръчва се тяхното съхранение за 3 месеца; колкото повече е времето за съхранение, толкова повече се губят вкуса и хранителните свойства).
3	** -Замразяване	≤ -12	Морските дарове (рибата, скаридите, ракообразните), водните и месните продукти не са подходящи за замразяване (препоръчва се тяхното съхранение за 2 месеца; колкото повече е времето за съхранение, толкова повече се губят вкуса и хранителните свойства).
4	*-Замразяване	≤ -6	Морските дарове (рибата, скаридите, ракообразните), водните и месните продукти не са подходящи за замразяване (препоръчва се тяхното съхранение за 1 месец; колкото повече е времето за съхранение, толкова повече се губят вкуса и хранителните свойства).

XII. ПОЧИСТВАНЕ И РАЗМРАЗЯВАНЕ

По хигиенни причини уредът (включително външните и вътрешните аксесоари) трябва да се почиства редовно, най-малко един път на всеки два месеца.

Внимание! По време на почистване, устройството трябва да е изключено от източника на енергия. Опасност от токов удар! Преди извършване на операции по поддръжка изключвайте уреда и изваждайте щепсела от контакта.

Почистване на външната част на уреда

Избършете контролния панел с чиста, мека кърпа.

- Напръскайте с вода върху кърпата, а не директно върху повърхността на уреда. Това помага за равномерното разпределение на влажността върху повърхностите.
- Почистете вратите, дръжките и повърхностите на корпуса с мек препарат за миене, след това избършете ги с мека абсорбираща кърпа.

Внимание!

- Не използвайте остри предмети, т.к. могат да надраскат повърхностите.
- Не използвайте разреждател, автомобилен почистващ препарат, хлор, етерични масла, абразивни почистващи агенти или органични разтворители. Те могат да повредят повърхността на уреда и могат да причинят пожар.

Почистване на вътрешната част на уреда

Вътрешната част на уреда трябва да се почиства периодично.

- Вътрешната част може да се почиства по-лесно тогава, когато в уреда има малко храни.
- Избършете вътрешната част на уреда с разреден разтвор от натриев бикарбонат. Изплакнете с топла вода, като използвате гъба или влажна кърпа.
- Почистете рафтовете и чекмеджето за зеленчуци, преди да ги поставите отново в уреда.
- Избършете добре всички подвижни повърхности и компоненти.
- Въпреки че този уред се размразява автоматично, образуването на леден слой върху вътрешните стени на фризерното отделение е възможно, ако вратата се отваря често или се оставя отворена твърде дълго. Ако леденият слой е твърде дебел, изберете момент, когато фризерът е почти празен и изпълнете следните указания:
 3. Извадете храните и аксесоарите, изключете уреда от източника на захранване и оставете вратите отворени. Проветрете помещението добре, за да ускорите процеса.
 4. След приключване на процеса на размразяване почистете фризерното отделение, така както е описано по-горе.

Предупреждение!

Не използвайте остри предмети, за да отстранявате леда от фризерното отделение. Уредът трябва да се свързва отново към източника на захранване и да се включва отново само след като вътрешната му част е напълно суха.

Почистване на уплътнителите на вратите

Пазете уплътнителите на вратите чисти. Лепкавите храни и напитки могат да предизвикат залепване на уплътнителите за корпуса и могат да се скъсат, когато отворите вратата. Измивайте уплътнителите с мек препарат за миене на съдове и топла вода. След почистване изплакнете и избършете добре уплътнителите.

Внимание! Уредът може да се свързва към източника на захранване с електроенергия само след като уплътнителите са напълно сухи.

Размразяване

Хладилникът е проектиран въз основа на принципа на въздушното охлаждане и, следователно, е оборудван с функция за автоматично размразяване.

XIII. ОТСТРАНЯВАНЕ НА ПРОБЛЕМИ

Ако имате проблеми с уреда или се притеснявате, че не функционира правилно, може да извършите някои прости проверки, преди да поискате специализирана техническа помощ.

Предупреждение! Не се опитвайте да ремонтирате уреда сами. Ако проблемът продължава след извършване на посочените по-долу проверки, свържете се с квалифициран електротехник, с оторизиран техник или с магазина, откъдето сте закупили продукта.

Проблем	Вероятна причина и решение
Уредът не функционира правилно.	Уверете се, че щепселът е включен по съответстващ начин в електрическия контакт.
	Проверете предпазителя или захранващата верига; ако е необходимо, сменете предпазителя.
	Околната температура е твърде ниска. Нормално е уредът да не функционира по време на автоматичния цикъл на размразяване или за кратко време след включване, за да се защитава компресора.
Отделенията излъчват неприятни миризми.	Може да се налага почистване на вътрешната част на уреда.
	Някои храни, съдове или опаковки излъчват миризми.
Уредът образува шумове.	Изброените по-долу шумове са нормални: <ul style="list-style-type: none"> • Шумове, причинени от функционирането на компресора. • Шумове, предизвикани от въздушното течение, произхождащо от вентилатора, в отделението за замразяване или в други отделения. • Шумолене, подобно на шума, който се образува от водата. • Пукане по време на автоматичното размразяване. • Тракания преди включване на компресора.
	Други необичайни шумове могат да имат една от причините по-долу и може да се налага предприемането на мерки: Уредът не е нивелиран. Задната страна на уреда се допира до стената. Бутилките или съдовете падат или се претъркулват.
Моторът функционира непрекъснато.	Нормално е звукът, причинен от функционирането на мотора, да се чува често, т.к. функционира по-дълго време в следните случаи: <ul style="list-style-type: none"> • Температурата е настроена на по-ниска стойност отколкото е необходимо. • Неотдавна, в уреда е поставено голямо количество храни. • Температурата във външната част на уреда е твърде висока. • Вратите са оставени отворени твърде дълго време или се отварят твърде често. • След инсталиране на уреда или след като е изключен за дълго време.
Образува се леден слой в отделението.	Уверете се, че отворите за извеждане на въздуха не да блокирани от храни и че храните са поставени по съответстващ начин в отделенията и позволяват циркулацията на въздуха. Уверете се, че вратата е затворена добре. За съвети относно премахването на леда, моля, вижте раздела за почистване.
Температурата във вътрешната част на уреда е твърде висока.	Възможно е да сте оставили отворени вратите за твърде много време или да сте ги отваряли твърде често; или затварянето на вратите е възпрепятствано от препятствия; или не сте оставили достатъчно място за уреда отстрани, отзад или над уреда.

Температурата във вътрешната част на уреда е твърде ниска.	Увеличете температурата, като следвате инструкциите от раздела за настройка на температурата.
Вратите не могат да се затварят с лекота.	Проверете дали някой вътрешен предмет не възпрепятства затварянето на вратите или дали горната страна на хладилника е наклонена назад с 10-15 мм, за да се позволява на вратите да се затварят сами.
Чува се бълбукане в хладилника.	Това е нормално. Шумът се образува от хладилния агент, който преминава през тръбите на хладилника.
Тече вода върху пода.	Тавата за събиране на вода (разположена в долната задна страна на корпуса) не е поставена правилно, дюзата за изпускане на вода (разположена под горната страна на поставката на компресора) е запушена или не е позиционирана по съответстващ начин и не насочва водата към тавата за събиране. Може да се налага да отдалечите хладилника от стената, за да проверите тавата и дюзата.

СЕРВИЗ И ОБСЛУЖВАНЕ НА КЛИЕНТИ

Използвайте само оригинални резервни части.

Когато се свързвате с нашия оторизиран сервизен център, уверете се, че имате под ръка следната информация: Наименование на модела и сериен номер.

Информацията може да бъде намерена на табелката с технически данни. Те подлежат на промяна без предварително уведомление.

ТЕХНИЧЕСКИ ДАННИ

Техническата информация се намира на табелката с технически данни на уреда и на енергийния етикет.

QR кодът на енергийния етикет, предоставен заедно с уреда, предлага уеб връзка към информацията в базата данни на EPREL относно постиженията на уреда.

Запазете енергийния етикет за бъдещи справки, заедно с ръководството за употреба и с всички други документи, предоставени заедно с този уред.

Също така, можете да намерите същата информация в базата данни на EPREL, като използвате връзката <https://eprel.ec.europa.eu> и наименованието на модела и серийния номер на продукта, които можете да намерите на табелката с технически данни на уреда.

За достъп до информация за вашия продукт в портала EPREL можете да сканирате кодовете по-долу:



Благодарим ви, че закупихте този продукт! Ако имате нужда от помощ във връзка с вашия продукт, посетете нашия уебсайт, като използвате връзките по-долу:

Получете ръководства за употреба: <https://www.heinner.ro>

Получете информация относно ремонтите: <https://www.heinner.ro>



Изхвърляне на отпадъците по начин, отговорен за околната среда

Можете да помогнете за опазването на околната среда!

Моля спазвайте местните разпоредби: Предайте нефункциониращото електрическо оборудване на център за събиране на отпадъци от електрическо оборудване.



HEINNER е регистрирана марка на компанията **Network One Distribution SRL**. Останалите търговски марки и наименованията на продуктите са търговски марки или регистрирани търговски марки на съответните им притежатели.

Нито една част от спецификациите не може да бъде възпроизвеждана под каквато и да е форма или средство, или използвана за получаване на производни като преводи, трансформации или адаптации, без предварителното съгласие на компанията NETWORK ONE DISTRIBUTION.

Copyright © 2013 Network One Distribution. Всички права запазени.

www.heinner.com, <http://www.nod.ro>

<http://www.heinner.com>, <http://www.nod.ro>



Този продукт е проектиран и произведен в съответствие със стандартите и нормите на Европейската общност.

Вносител: **Network One Distribution**

ул. Марчел Янку № 3-5, Букурещ, Румъния

Tel: +40 21 211 18 56, www.heinner.com , www.nod.ro

HEINNER

FAGYASZTÓ

Modell: HFF-HS155NFE++



- Fagyasztó
- Energiaosztály: E
- Teljes tárhely: 155 L

Köszönjük, hogy ezt a terméket választotta!

I. BEVEZETÉS

Kérjük, figyelmesen olvassa el az utasításokat, és őrizze meg a kézikönyvet későbbi tanulmányozás céljából.

A kézikönyv célja a készülék beszerelésével, használatával és karbantartásával kapcsolatos minden szükséges tudnivalót rendelkezésére bocsátani. A készülék helyes és biztonságos használata érdekében, kérjük, hogy beszerelés és használat előtt olvassa el figyelmesen a használati kézikönyvet.

II. AZ ÖN CSOMAGJÁNAK TARTALMA



- Hűtőszekrény
- Használati utasítás
- Garancialevél

III. BIZTONSÁGI FIGYELMEZTETÉSEK

Az ön biztonsága és a helyes használat érdekében a készülék felállítása és első használata előtt olvassa el figyelmesen a felhasználó kézikönyvét, az ajánlásokkal és figyelmeztetésekkel együtt. A főleges tévedések és balesetek elkerülése érdekében fontos meggyőződni arról, hogy minden személy, aki a készüléket használja, ismeri a biztonságos működés módját és a biztonsági intézkedéseket. Őrizze meg ezt a kézikönyvet, és gondoskodjon arról, hogy a készülékkel együtt maradjon, ha azt elköltöztetnék vagy eladnák, s ily módon bárki használná az élettartama alatt, megfelelőképpen tájékozódhasson a használatáról és a szükséges biztonsági intézkedésekről.

Életének és vagyonának biztonsága érdekében tartsa be a használati kézikönyv előírásait, mivel a mulasztásokból származó károkért a gyártó nem felel.

A gyermekek és más érzékeny személyek biztonsága

- Az EN szabványnak megfelelően: A készüléket 8 év fölötti gyermekek, csökkent fizikai, érzéki vagy szellemi képességekkel, gyakorlattal vagy ismeretekkel rendelkezők csak akkor használhatják, ha felügyelik, vagy felkészítik őket a készülék biztonságos használatára, és ha megértik a készülék használatával járó veszélyeket. Tilos gyermekeknek játszani a készülékkel. A készülék tisztítását és karbantartását nem végezhetik gyermekek felügyelet nélkül.
- A 3 éves kort betöltött gyermekek kivehetnek és betehetnek élelmiszereket a hűtőszekrénybe.
- Az IEC szabványnak megfelelően: A készülék nem használható csökkent értelmi, érzékszervi, vagy fizikai képességű személyek által (gyermekeket is beleértve), vagy olyanok által, akik nem rendelkeznek a kellő mennyiségű tudással és tapasztalattal, csak felügyelet mellett, vagy ha a felügyeletért és a biztonságukért felelős személy megtanította őket a helyes használatra.
- A gyerekek esetében állandó felügyelet szükséges, ne engedje, hogy a készülékkel játsszanak.
- A csomagolást tartsa gyermekektől elzárt helyen. Vigyázat, fulladásveszély!
- Hogy elkerülje a gyerekek bezáródását a készülék belsejébe, vagy áramütés elszenvedését, mielőtt kidobná a készüléket, húzza ki az aljzatból, vágja le az áramellátó kábelt (minél közelebb a készülékhez) és szerelje le a készülék ajtaját.
- Ha ez a mágneses ajtóval ellátott készülék, olyan régi készüléket helyettesít, amelynek ajtója, vagy fedele rugóval (retesszel) működik, mielőtt kidobná, bizonyosodjon meg, hogy a rugós rendszer használhatatlan. Így megelőzi, hogy a gyermekek bezáródjanak az eldobott hűtőszekrénybe.

Figyelmeztetés! A hűtőszekrényekkel együtt szállított felhasználói kézikönyv vagy a használati és karbantartási útmutató tartalmazza azt a figyelmeztetést, amely a gyermekek készülékben való rekedésének kockázatára hívja fel a figyelmet.

Veszély! A gyermekek beszorulásának veszélye a készülék belsejébe. A régi hűtő vagy fagyasztókészülék eldobása előtt:

- Szerelje le az ajtókat.
- Hagyja helyükön a polcokat, hogy a gyermekek ne hatolhassanak könnyen a készülék belsejébe.

Általános biztonsági intézkedések

FIGYELMEZTETÉS! Ezt a készüléket lakásokban és más hasonló egységekben való használatra gyártották:

- üzletek, irodák és más munkahelyek személyzetének konyhája;
- háztartási és szállodák, motelek és más hasonló tartózkodási hely típusú környezet;
- reggelit is felszolgáló panzió típusú környezet;
- catering típusú és ehhez hasonló, nem kereskedelmi alkalmazások.

FIGYELMEZTETÉS! Ne tároljon a készülékben robbanó anyagokat, mint például aeroszolos gyúlékony üzemanyagot tartalmazó sprayeket.

FIGYELMEZTETÉS! A veszély elkerülése érdekében, amennyiben a tápkábel sérült, ezt ki kell cseréltetni a gyártó, a gyártó szervizügynöke, vagy hasonló szakképesítéssel rendelkező személy által.

FIGYELMEZTETÉS! Ellenőrizze, hogy a hűtőszekrény szellőzőnyílásai szabadon álljanak.

FIGYELMEZTETÉS! Leolvasztáshoz kizárólag a gyártó által ajánlott módszereket használja, ne használjon gépi vagy más eszközt a leolvasztás gyorsítására.

FIGYELMEZTETÉS! Ne sértse meg a hűtőfolyadék keringési rendszerét.


FIGYELMEZTETÉS! Ne használjon elektromos eszközöket készülék élelmiszertároló rekeszeiben, kivéve, ha azok a gyártó által ajánlott típusba tartoznak.

FIGYELMEZTETÉS! A hűtőanyag és a szigetelőgáz gyúlékony. A készüléket csak hivatalos hulladékgyűjtő központba vigye kiselejtezéskor. Ne égesse el a készüléket.

FIGYELMEZTETÉS! A berendezés elhelyezése során figyeljen arra, hogy a tápkábelt ne nyomja össze és ne rongálja meg.

FIGYELMEZTETÉS! Ne helyezzen a berendezés mögé elosztókat vagy hordozható áramforrásokat.

FIGYELMEZTETÉS! Csomagolja be az élelmiszereket tasakokba, és a folyadékokat palackokba vagy lefedett tárolóedényekbe, mielőtt behelyezné őket a hűtőszekrénybe, hogy elkerülje a szennyeződést a készülék belsejében.

A  szimbólum figyelmeztet arra, hogy a hűtőközeg és a szigetelő gáz gyúlékony.



FIGYELEM! Tűzveszély/gyúlékony anyagok

A mélyhűtő körfolyam meghibásodása esetén:

- Kerülje a nyílt láng használatát és a tűzforrásokat.
- Alaposan szellőztesse ki a helyiséget, amelyben a készülék található.

Égők cseréje

FIGYELMEZTETÉS - Az égőket ne a felhasználó cserélje ki! Amennyiben az égők meghibásodnak, cseréjük érdekében forduljon szakképzett személyekhez. Ez a figyelmeztetés csak az égőkkel felszerelt hűtőkre vonatkozik.

Hűtőfolyadék

A készülék hűtőfolyadék rendszere R600a (izobután) hűtőfolyadékot tartalmaz, amely egy természetes gáz, magas szintű környezeti kompatibilitással, de gyúlékony. Győződjön meg, hogy szállítás és felállítás idején a hűtőfolyadék keringési rendszerének egyetlen eleme sem rongálódott meg. A hűtőfolyadék (R600a) gyúlékony.

FIGYELMEZTETÉS! A hűtőszekrények hideghordozó közeget és veszélyes gázakat tartalmaznak. A hideghordozó közeget és a gázakat megfelelő módon kell eltávolítani, mert ezek szemsérüléseket okozhatnak vagy meggyúlhatnak. A készülék mozgatása előtt győződjön meg róla, hogy a hűtőkör csövezete nem sérült.

A mélyhűtő körfolyam meghibásodása esetén:

- Kerülje a nyílt láng használatát és a tűzforrásokat.
- Alaposan szellőztesse ki a helyiséget, amelyben a készülék található.

A készülék jellegzetességeinek bármely megváltoztatása vagy módosítása veszélyes.

A tápkábel bármely megrongálódása rövidzárlatot, tüzet és/vagy áramütést okozhat.

Elektromos biztonság

1. Ne hosszabbítsa meg a tápkábelt.
2. Győződjön meg, hogy a dugó nem zúzódott össze és nem rongálódott meg. Az összezúzott vagy megrongálódott dugó túlhevülhet, és kigyulladhat.
3. Győződjön meg, hogy mindig hozzáférhet a tápkábelhez.
4. Ne rángassa a tápkábelt.
5. Ha megfagyott az aljzat, amelybe a dugót be kell dugni, ne használja. Áramütés- és tűzveszély léphet fel.
6. A készüléket ne használja, ha a hűtőteret világító izzólámpa nem működik.
7. A készülék áramellátását egyfázisú váltakozó áramú 220-240V/50Hz-es villamosenergia hálózatról kell biztosítani. Amennyiben a felhasználó lakhelyén a feszültség értéke nem esik a fenti feszültség tartományba, a biztonsági előírásoknak való megfelelés céljából egy automata 350 W-nál nagyobb teljesítményű AC feszültségszabályozó berendezés használatát javasoljuk. A berendezést külön aljzatról kell működtetni, nem olyanról, amelyhez már más elektromos berendezések is csatlakoznak. A dugasznak kompatibilisnek kell lennie a földeléses aljzattal.

IV. MINDENNAPOS HASZNÁLAT

- A készülékben ne tároljon gyúlékony gázokat vagy folyadékokat. Robbanásveszély!
- A készülék belsejében ne használjon elektromos készülékeket (pl. elektromos fagylaltgépet vagy mixert stb.)
- Ha ki akarja húzni a konnektorból, mindig a dugót fogja, ne rángassa a kábelt.
- A készülék műanyag komponensei mellé ne helyezzen forró tárgyakat.
- Ne helyezzen élelmiszereket a légelvezető nyílás közvetlen közelébe, amely a berendezés belsejében, annak hátsó falán található.
- A fagyott élelmiszert az élelmiszergyártó utasításainak megfelelően előcsomagolva tárolja.
- Szigorúan tartsa be a készülék gyártójának a tárolásra vonatkozó ajánlásait. Tanulmányozza a tárolásra vonatkozó utasításokat.
- A mélyhűtőben ne tároljon szénsavas italokat, mivel ez nyomást gyakorol az edényre, amely elrobbanhat, és megrongálhatja a készüléket.
- A fagyasztott élelmiszerek fagyási sérülést okozhatnak, ha közvetlenül a mélyhűtőből kivéve fogyasztja.
- Ne tegye ki a készüléket közvetlen napsugaraknak.
- A gyertyákat, a nyílt lángú lámpákat és egyéb készülékeket tartsa minél távolabb a készüléktől, hogy ne gyúljon meg.
- A készüléket szokványos háztartásban élelmiszerek és/vagy italok tárolására gyártották, amint ezt ez a használati kézikönyv előírja. A készülék súlyos. Vigyázzon, amikor költözteti.
- Ne nyúljon nedves/vizes kézzel a fagyasztott termékekhez, mert fagyégési sebeket, vagy bőrkárosodást szenvedhet.
- Sose ne használja a fiókokat, az ajtókat stb. arra a célra, hogy ráálljon vagy posztamensként.
- A kiolvasztott élelmiszereket ne fagyassza le újra.
- Ne fogyasszon fagylaltot vagy jégkockát közvetlenül a mélyhűtőből, mert előídezhetheti a száj és az ajkak fagyási sérülését.
- A tárgyak leesését, illetve a személyi sérüléseket vagy a berendezés megrongálódását elkerülendő, ne terhelje túl az ajtón található polcokat, továbbá ne helyezzen túl sok élelmiszert a zöldség és gyümölcs tárolására alkalmas fiókokba.
- Ez a hűtőkészülék nem beépített készülékként használható.

V. TISZTÍTÁS ÉS KARBANTARTÁS

- A karbantartási műveletek előtt kapcsolja ki a készüléket és húzza ki az aljzatból a dugót.
- Ne tisztítsa a készüléket fémtárgyakkal, gőzzel működő tisztító készülékekkel, illó olajokkal, szerves oldószerekkel vagy súrló hatású porokkal.
- A jégnek a készülékről való eltávolításához ne használjon éles tárgyakat. Használjon műanyagkaparót.

VI. BESZERELÉS

- A berendezésnek az elektromos hálózatra való csatlakoztatása során szigorúan kövesse jelen kézikönyv erre vonatkozó utasításait.
- Csomagolja ki a készüléket, ellenőrizze, hogy nem sérült-e a szállítás során.
- Ha a készülék sérült, ne csatlakoztassa az áramforráshoz. Ha a készülék sérült, az esetleges sérüléseket jelentse azonnal a forgalmazónak, ahonnan a készüléket vásárolta. Ebben az esetben őrizze meg a csomagolást.
- Javasoljuk, hogy a készülék villamos hálózatra csatlakoztatása előtt várjon legalább négy órát, hogy az olaj folyjon vissza a kompresszorba.
- A készülék körül a levegőnek szabadon kell keringenie; szellőzés hiányában a készülék túlhevülhet. A megfelelő szellőzés érdekében tartsa be a szerelési utasításokat.
- A berendezés hátsó része ne legyen túlságosan közel a falhoz, hogy elkerülhető legyen az érintkezés a felforrósodó alkatrészekkel, illetve ezek becsípődése (kompresszor, kondenzátor). A balesetek kockázatának elkerülése érdekében kövesse figyelmesen a berendezés üzembe helyezésére vonatkozó utasításokat.
- A készüléket ne helyezze fűtőtestek vagy tűzhelyek közelébe.
- Győződjön meg, hogy a dugóhoz a készülék beszerelését követően is hozzá lehet férni.

VII. JAVÍTÁS ÉS ENERGIATAKARÉKOSSÁG

A berendezés javítása

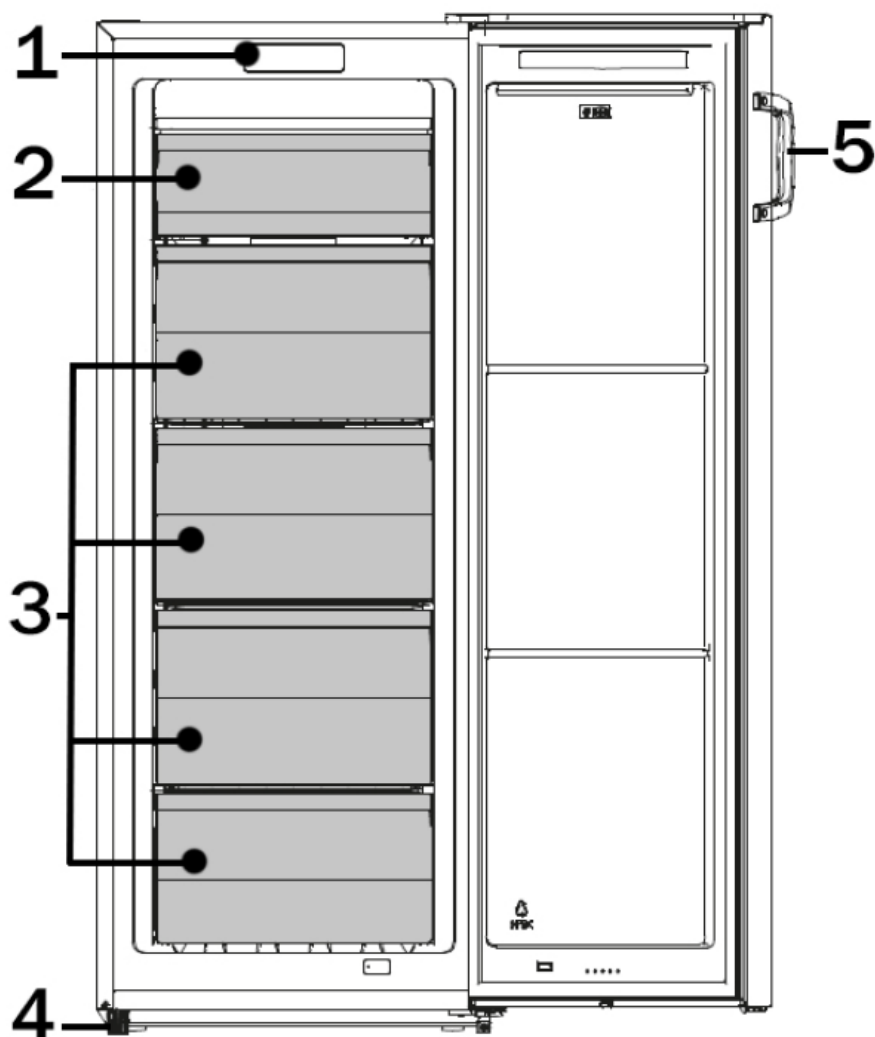
- A készülék javításával kapcsolatos elektromos munkákat szakképzett villanyszerelőnek vagy szakmailag illetékes személynek kell elvégeznie.
- A készüléket engedélyezett szervizben kell javíttatni, és kizárólag eredeti pótalkatrészeket kell használni.

Energiatakarékosági tanácsok

Kövesse az alábbi tanácsokat az energiatakarékosság érdekében.

- Az energiatakarékos üzemmód megőrzése miatt kérjük, ne hagyja sok ideig nyitva a készülék ajtóit.
- Győződjön meg róla, hogy a készülék nem valamely hőforrás közelében lett felállítva (pl. direkt napsütés, elektromos sütő vagy gázkályha stb.).
- Ne állítsa a hűtőszekrény részlegeinek hőmérsékletét alacsonyabbra mint ahogyan az szükséges.
- Ne helyezzen be a készülékbe meleg ételt vagy párolgó folyadékot.
- A készüléket jól szellőző, nedvességtől mentes helyiségbe szerelje fel. Kérjük olvassa el a készülék beüzemeléséről szóló fejezetet.
- Ha a rajzon megfelelő a fiókok és polcok elhelyezése, ne rendezze át azokat, mert magasabb energiafogyasztást eredményezhet.

VIII. A TERMÉK LEÍRÁSA



1. Vezérlőpanel	4. Lábak
2. Billenő fedél	5. Ajtó fogantyú
3. Fiókok	

A termék folyamatos módosításából adódóan az Ön készüléke kissé eltérhet a jelen használati útmutatóban leírtól, azonban a funkciók és a használati mód azonosak maradnak.

A termék legjobb energiahatékonyágának elérése érdekében kérjük, helyezzen el minden polcot, fiókot és kosarat eredeti helyzetükben, a fenti ábra szerint.

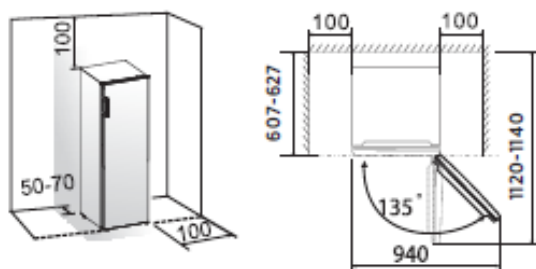
IX. ÜZEMBE HELYEZÉS

A készülék első használata előtt kérjük, olvassa el az alábbi utasításokat:

A készülék szellőztetése

A hűtőszekrény környezetében biztosítsa a megfelelő szellőzést a keletkező hő távozásának megkönnyítése érdekében, így a készülék kiváló hatékonysággal és alacsony villamos energia-fogyasztás mellett fog működni. Ennek érdekében elegendő szabad helyet kell biztosítani a hűtőszekrény körül.

Javasolt távolságok: 50-70 mm távolság a készülék háta és a hátsó fal között, legkevesebb 100 mm szabad hely oldalirányban, 100 mm-nél nagyobb távolság a hűtőszekrény teteje és a mennyezet között, valamint akkora szabad hely a hűtőszekrény előtt, amekkora elegendő ahhoz, hogy az ajtók 135°-ban nyithatók legyenek. Tanulmányozza az alábbi ábrákat.



Megjegyzés: Ez a készülék az alábbi táblázatban feltüntetett N, ST, T klímaosztályokon működik megfelelően.

Ha a készüléket hosszabb ideig a meghatározott intervallumhoz viszonyítva túl magas vagy túl alacsony hőmérsékleten hagyja, elfordulhat, hogy a készülék már nem megfelelően működik.

Klímaosztály	Környezeti hőmérséklet
SN	+10°C-től +32°C-ig
N	+16°C-től +32°C-ig
ST	+16°C-től +38°C-ig
T	+16°C-től +43°C-ig

A készüléket száraz, nedvességtől mentes helyre állítsa üzembe.

A készüléket ne tegye ki a nap sugarainak, esőnek vagy fagynak. Készülékét helyezze minél távolabb a hőforrásoktól: kályháktól, fűtőtestektől.

A készülék kiegyensúlyozása

A készülék megfelelő kiegyensúlyozásához, illetve a készülék mögötti térben a levegő megfelelő áramlásához szükséges lehet a készülék lábainak beállítása.




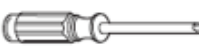


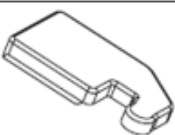
A készülék lábainak beállítása elvégezhető kézzel is vagy egy megfelelő kulccsal. Annak érdekében, hogy az ajtók maguktól becsukódjanak, döntse meg a készüléket hátrafele hozzávetőlegesen 10 mm-re.

Az ajtó nyitási irányának megfordítása

Az ajtó nyitásának iránya megváltoztatható, áttérhetünk a gyárilag szerelt jobbra nyílásról a balra nyílásra, ha a készülék elhelyezése ezt megkívánja.

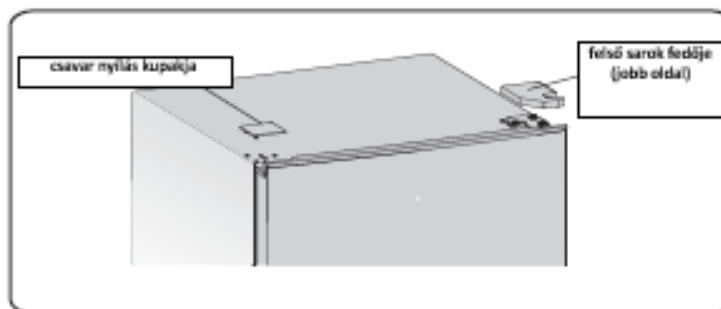
Figyelmeztetés! Ha az ajtó nyílási irányát meg akarja változtatni, szerelés közben ne legyen a készülék áramforráshoz csatlakoztatva. Győződjön meg róla, hogy a csatlakozó ki van húzva az aljzatból.

A következő eszközökre lesz szüksége:

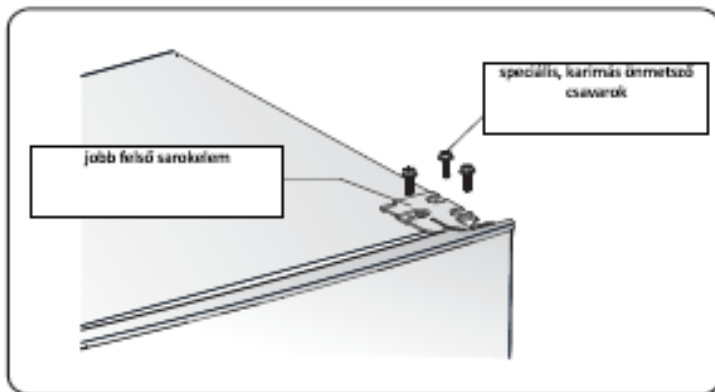
Nem tartozék		
		
8 mm-es csőkulcs	Lapos csavarhúzó	Spakni
		
Csillagcsavarhúzó	Franciakulcs	8 mm-es villás kulcs
Kiegészítő alkatrészek (műanyag zacskóba csomagolva)		
		
Bal oldali zsanér fedője		

Megjegyzés: Mielőtt hozzátárna, annak érdekében, hogy a készülék aljához is hozzáférjen, fektesse a készüléket a hátára, de előtte tegyen alája polisztéren vagy más hasonló összetételű csomagolóanyagot, így elkerülhető, hogy megsérüljenek a készülék hátoldalán levő alkatrészek. Az ajtó nyílási irányának megváltoztatásához az alábbi lépések szerinti cselekvést ajánljuk:

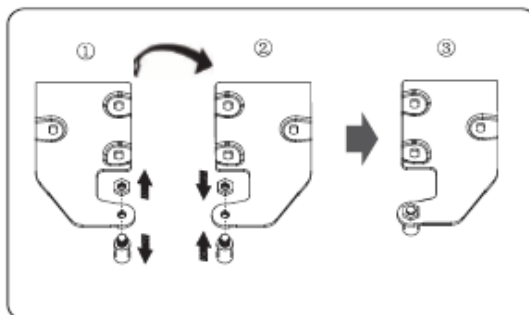
1. A készülék bal felső sarkában található nyílás dugóját távolítsuk el egy spatulával vagy egy sima csavarhúzóval, majd csavarozza ki a felső sarok kupakját, amely a készülék jobb felső sarkában található.



2. Egy 8 mm-es csőcsavarhúzó vagy csőkulcs segítségével, csavarozza ki a speciális, karimás önmetsző csavarokat, melyek a jobb felső sarkat tartják (kérjük a felső ajtót támassza a kezével e művelet alatt).

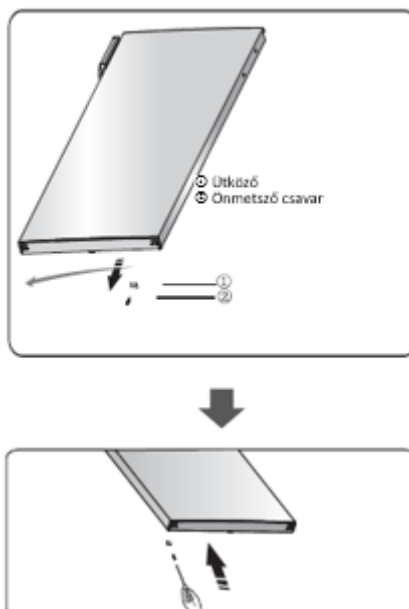


3. Vegye ki a felső zsanér tengelyét, tegye át a túloldalra és rögzítse jól.

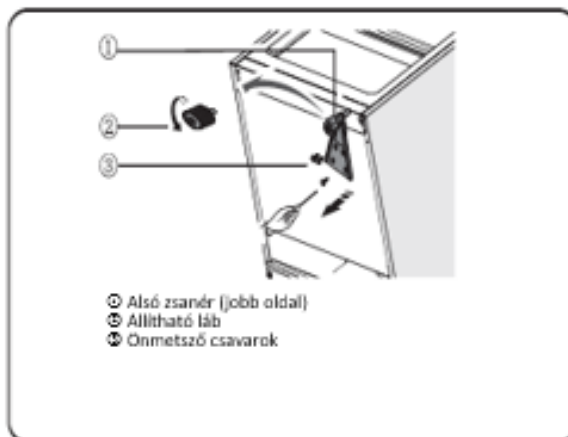


4. Vegye le az ajtót az alsó sarokról. MEGJEGYZÉS: Amikor az ajtót leveszi a helyéről, figyeljen, hogy ne maradjanak az ajtóhoz ragadva az ajtó középső és a fagyasztó rész alsó felén levő zsanérjának alátétjei. Ne veszítse el ezeket.

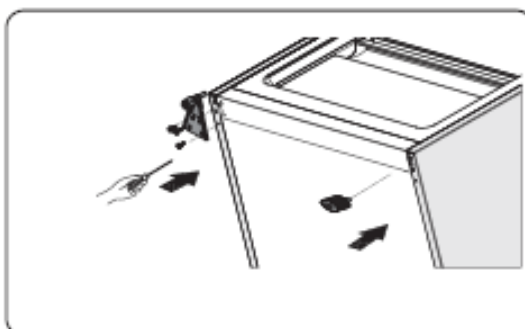
5. Az ajtót helyezze egy sima felületre a panel résszel felfelé. Távolítsa el a csavart (2) és az (1) alkatrészt, majd szerelje fel a bal oldalra és rögzítse szorosan.



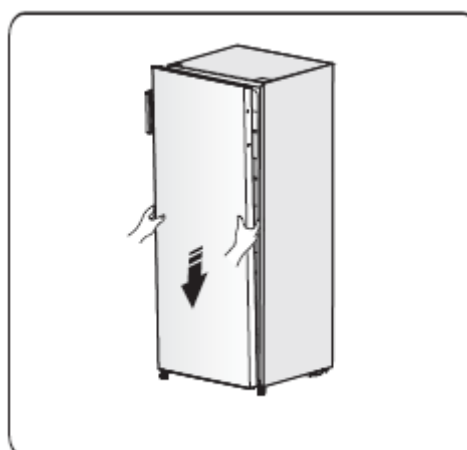
6. A készüléket helyezze egy puha habcsomagolásra vagy hasonló anyagra. Távolítsa el mindkét állítható lábat, majd a speciális peremes önmetsző csavarok kicsavarozásával szerelje le az alsó zsanért.



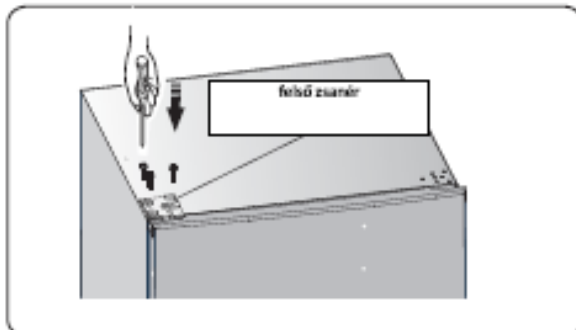
7. Helyezze át az alsó zsanért a bal oldalra és rögzítse a speciális, karimás önmetsző csavarok segítségével. Állítsa be az állítható lábakat az ellenkező oldalon és rögzítse.



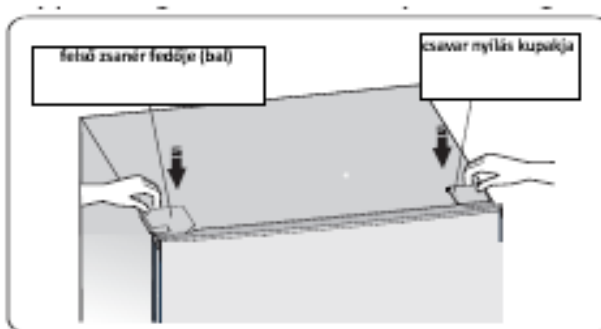
8. Helyezze el az ajtót a megfelelő pozícióba, a zsanér tengelyét helyezze be az ajtó alsó nyílásába.



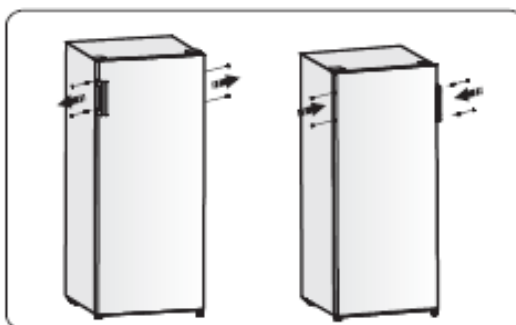
9. Helyezze át a felső zsanért és helyezze be a tengelyét az ajtó felső nyílásába, majd állítsa be az ajtó pozícióját (kérjük, támassza meg a kezével az ajtót e művelet közben), rögzítse a felső zsanért a speciális, karimás önmetsző csavarok segítségével.



10. Szerelje fel a készülék jobb felső sarkánál levő nyílás fedelét. Szerelje fel a felső zsanér födelét (a műanyag zacskóban találja) a bal oldali sarokra és csavarokkal rögzítse. Tegye a felső zsanér födelét a műanyag zacskóba.



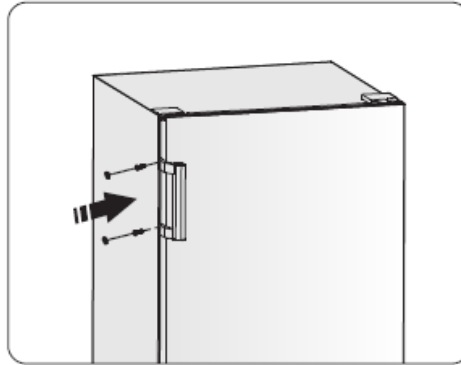
11. Helyezze át az ajtó bal oldaláról az ajtó jobb oldalára a fogantyút.



Figyelmeztetés! Ha az ajtó nyílási irányát meg akarja változtatni, szerelés előtt a készüléket csatlakoztassa le az áramforrásról. Ennek érdekében húzza ki a készüléket a fali csatlakozóaljzatból.

Az ajtó fogantyújának a felszerelése

Fogja a fogantyút és a csavarokat a kiegészítőket tartalmazó tasakból, vegye le a fogantyú kupakjait, helyezze a fogantyút az ajtó jobb felére, majd a csavarok segítségével rögzítse, és helyezze vissza a fogantyú kupakokat.



X. A HŐMÉRSÉKLET BEÁLLÍTÁSA

A kezelőpult, mely segítségével ellenőrizheti a fagyasztrékesz hőmérsékletét, a fagyasztó belsejében található. Irányítsa a készülékét az alábbi ábrákon látható vezérlőpanel segítségével, amely lehetővé teszi, hogy beállítsa készüléke működésének módját. A készülék első üzembe helyezésekor a kijelzőn lévő piktogramok világítása működni kezd. A világítás az ajtó becsukásakor kapcsol ki.



A hőmérséklet ellenőrzése

Fontos! Azt ajánljuk, hogy a fagyasztó hőmérsékletét szabályozza -18°C -ra. Abban az esetben, ha szeretné megváltoztatni a hőmérsékleti értékeket, kövesse az alábbi lépéseket.

Megjegyzés: A magas hőmérsékletre való beállítás felgyorsíthatja az élelmiszerek romlását.

Figyelem! Egy bizonyos hőmérsékleti érték kiválasztásakor, az egész készüléknek egy középértéket állítson be.

A rekeszek belsejének a hőmérséklete a tárolt élelmiszerek és a készülékben való elhelyezésük függvényében eltérhet a kezelőpulton megjelenített hőmérséklettől. Ugyanakkor a külső környezeti hőmérsékleti hatások befolyásolhatják a hűtőszekrény belsejében levő tényleges hőmérsékletet.

A készülék funkciói

A „Super Freeze” funkció


A „Super Freeze” funkció gyorsan csökkenti a mélyhűtő rész hőmérsékletét, így lehetővé válik az élelmiszerek gyorsabb fagyasztása. Így a vitaminokat és az élelmiszerek tápanyag tartalmát meg tudjuk őrizni, az élelmiszerek hosszabb ideig megőrizhetőek.

- A „Super Freeze” funkció kiválasztásához nyomja be és tartsa benyomva 3 másodpercig a „TEMP °C /Super Freeze 3sec”. A kijelzőn megjelenik az „-24” kijelzés, a



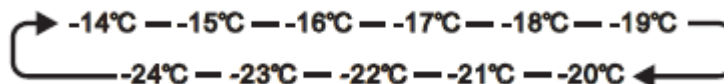
jelzés pedig világítani kezd.

- A friss élelmiszerek fagyasztóba helyezése előtt pár órával kapcsolja be a „Super Freeze” funkciót, a hőmérséklet nem kívánt növekedésének a megelőzése érdekében.
- Ha a készüléket a műszaki adatokat tartalmazó táblán feltüntetett fagyasztási teljesítményen akarja használni, a friss élelmiszerek fagyasztrékeszbe helyezése előtt 24 órával kapcsolja be a „Super Freeze” funkciót. A „Super Freeze” funkció 52 óra múlva automatikusan kikapcsol.
- A „Super Freeze” funkció kikapcsolásához nyomja meg a „TEMP °C /Super Freeze 3


sec” gombot. A „Super Freeze” funkció kikapcsolásával egy időben a  kijelző kialszik, a készülék pedig automatikusan visszaáll a „Super Freeze” funkció bekapcsolása előtt beállított hőmérsékletre.

TEMP°C

A fagyasztó hőmérséklet szabályzási üzemmódjának bekapcsolásához megnyomhatja a „TEMP°C/Super Freeze 3” gombot. A gomb folytonos megnyomásával a hőmérséklet az alábbi ábrán feltüntetett módon állítható be.



Az ajtó kinyitására vonatkozó figyelmeztetés

- Ha a fagyasztó ajtója 1 percnél tovább marad nyitva, bekapcsol az ajtó kinyitására vonatkozó figyelmeztetés, a  jelzés pedig villogni kezd. A hangjelzés kikapcsolásához és a jelzés kikapcsolása érdekében nyomja meg az „ALARM” gombot.
- A készülék működése alatti energia megtakarítás érdekében kérjük, ne hagyja hosszú ideig nyitva a készülék ajtóját. A figyelmeztető hangjelzés az ajtó becsukásával kikapcsolható.

Az ön készülékének használata

Ez a fejezet tartalmazza a készülék legtöbb hasznos jellemvonása használati módjának leírását. A készülék használata előtt kérjük, olvassa el a következő utasításokat.

A fagyasztó rekesz használata

A fagyasztó rekesz fagyasztást igénylő élelmiszerek, ide értve a húst, halat, jégkrémet stb. tárolására szolgál.

Figyelem! Bizonyosodjon meg róla, hogy az üvegeket nem hagyja a fagyasztóban a szükségesnél tovább, mivel eltörhetnek.

A polcok

- A polcok az élelmiszerek tárolására szolgálnak.
- A fémrács polcok kivételéhez, a polcot emelje fel az elülső részénél fogva és húzza meg.

Fontos!

A fagyasztó rekesz maximális kihasználásához a felhasználó a kívánt felhasználási mód függvényében egy vagy több fiókot eltávolíthat a készülékből. Ha eltávolít egy fiókot, a fiók alatti fémrácsot fordítsa el 180 fokos szögben, hogy a termék energetikai szempontból a leghatékonyabb legyen.

Az energia megtakarítás érdekében ne távolítsa el a fagyasztó alsó fiókját.

Fiókok

A fiókok a fagyasztott élelmiszerek tartósítására használhatók.

A fiók eltávolításához, húzza meg, majd emelje meg a fiókot.

A fiókot a fenti lépések ellentétes sorrendben történő elvégzésével helyezheti be a készülékbe.

Figyelem! Ne csukja be a fagyasztó ajtóját, ha a polcok ki vannak húzva vagy a billenő fedél és/vagy a fiókok nyitva vannak, mivel az előbbiek és a fagyasztó ajtója is megsérülhet.

XI. ÉLELMISZEREK TÁROLÁSA

Javaslatok a mélyhűtéshez

- Az első indítás alkalmával vagy ha egy ideig a készülék használaton kívül volt, kapcsolja be, majd hagyja legalább 2 órát működni anélkül hogy élelmiszereket tenne bele.
- Készítsen elő kis adagú élelmiszereket, melyek gyorsan és teljes mértékben lefagyaszthatóak, így később könnyebb a szükséges mennyiséget kiolvasztani.
- Csomagolja az élelmiszereket alumínium vagy polietilén fóliába.
- Győződjön meg, hogy a friss, nem fagyasztott élelmiszerek nem érintkeznek a már mélyfagyasztott élelmiszerekkel, így elkerülheti ez utóbbi hőmérsékletének növekedését;
- Abban az esetben, ha a mélyfagyasztóból kivett élelmiszereket azonnal elfogyasztjuk, fagyási sérüléseket okozhatunk.
- Ajánlott felcímkézni és dátummal ellátni minden fagyasztott élelmiszer csomagot, így a tartósítási időt nyilvántarthatjuk.

Ajánlatok a fagyasztott élelmiszerek tárolására vonatkozóan

- Győződjön meg róla, hogy a fagyasztott élelmiszereket a kereskedők megfelelő módon tárolták.
- A kiolvasztás után az élelmiszerek gyorsan romlanak, és ezeket nem szabad újra fagyasztani; ne lépje túl az élelmiszer gyártó által megadott tárolási időt.

A készülék kikapcsolása

Ha a készüléket hosszabb időre szeretnénk leállítani, az alábbi lépéseket be kell tartani a penészképződés megelőzése érdekében.

1. Vegyen ki minden élelmiszert a készülékből.
2. Húzza ki a készüléket a csatlakozójából.
3. Tisztítsa ki és szárítsa meg jól a készülék belsejét.
4. Győződjön meg róla, hogy az ajtók nyitva vannak, és nem akadályozzák a levegő keringését a készülék belsejében.

Annak érdekében, hogy az élelmiszerek ne romljanak meg, tartsa be az alábbi utasításokat:

- Ha a készülék ajtója huzamos ideig nyitva van, akkor a készülék rekeszeiben a hőmérséklet jelentősen megnő.
- Tisztítsa rendszeresen azokat a felületeket, amelyekkel az élelmiszerek érintkezhetnek, valamint a készülék lefolyó rendszerét is.
- A két csillaggal jelölt fagyasztó a gyorsfagyasztott élelmiszerek tárolására, fagyalt készítésére vagy tárolására és jégkocka készítésére alkalmas.
- Az egy, két és három csillagos fagyasztó a friss ételek fagyasztására nem alkalmas.

Megjegyzés: Kérjük, tárolja az élelmiszereket a nekik megfelelő rekeszekben és a nekik megfelelő hőmérsékleten.

- Ha a fagyasztó készülék hosszú ideig üres, kapcsolja ki, takarítsa ki, törölje ki jól és hagyja az ajtóját nyitva, hogy megelőzze a penész keletkezését a készülék belsejében.
- Élelmiszer fagyasztásakor bizonyosodjon meg, hogy az nem érintkezik a fagyasztó belső felületével.
- Élelmiszer fagyasztásakor tárolja ezeket hermetikusan záródó edényekben vagy tasakokban, amelyek ízmentesek, vízzáró képességűek és nem tartalmaznak mérgező anyagokat, elkerülve a tárolt élelmiszerek kiszáradását és az ételszag kiáradását.
- A forró ételt kell hagyni hogy hűljön le szobahőmérsékletre, csak ezt követően tegyük a fagyasztóba. Ellenkező esetben befolyásolják a többi élelmiszer állapotát, illetve megnövekszik az elektromos energia fagyasztás is.

Sorszám:	Fagyasztó rész típusa:	Javasolt tárolási hőmérséklet [°C]	Élelmiszer
1	(***)*-Fagyasztás	≤-18	A tenger gyümölcsei, hal, garnélarák, rákfélék, akvakultúra-termékek és a húsfélék fagyasztása javasolt (javasolt tárolási idő 3 hónap, a tárolási idő növekedésével fokozatosan veszítenek az ízükből és tápértékükből.)
2	***-Fagyasztás	≤-18	A tenger gyümölcsei, hal, garnélarák, rákfélék, akvakultúra-termékek és a húsfélék fagyasztása nem javasolt (javasolt tárolási idő 3 hónap, a tárolási idő növekedésével fokozatosan veszítenek az ízükből és tápértékükből.)
3	** -Fagyasztás	≤-12	A tenger gyümölcsei, hal, garnélarák, rákfélék, akvakultúra-termékek és a húsfélék fagyasztása nem javasolt (javasolt tárolási idő 2 hónap, a tárolási idő növekedésével fokozatosan veszítenek az ízükből és tápértékükből.)
4	*-Fagyasztás	≤-6	A tenger gyümölcsei, hal, garnélarák, rákfélék, akvakultúra-termékek és a húsfélék fagyasztása nem javasolt (javasolt tárolási idő 1 hónap, a tárolási idő növekedésével fokozatosan veszítenek az ízükből és tápértékükből.)

XII. TISZTÍTÁS ÉS LEOLVASZTÁS

Higiéniai okokból a készüléket (ide értve a külső és belső tartozékait is) rendszeresen tisztítani kell, legkevesebb kéthavonta egyszer.

Figyelem! A készüléket húzza ki az elektromos hálózatról a tisztítás idejére. Áramütés veszély! Înainte de efectuarea operațiilor de întreținere, opriți aparatul și scoateți ștecărul din priză. A karbantartási műveletek előtt kapcsolja ki a készüléket és húzza ki az aljzatról a dugót.

A készülék külsejének tisztítása

Törölje le a kezelőpanelt egy tisztá, puha ruhával.

- Szórjon vizet a törülőkendőre és ne közvetlenül a készülék felületére. Ez a módszer segít a felületeken egyenletesen elosztani a nedvességet.
- Tisztítsa meg az ajtókat, fogantyúkat és a külső burkolatot egy finom tisztítószerrel, majd törölje le egy puha törülőkendővel.

Figyelem!

- Ne használjon éles tárgyakat, mert ezek megkarcolhatják a felületeket.
- Ne használjon hígítót, autó-tisztítószerrel, klórt, illóolajakat, maró hatású vegyszereket vagy szerves oldószereket. Ezek megrongálhatják a készülék felületét és tüzet okozhatnak.

A készülék belsejének tisztítása

A készülék belsejét időközönként tisztítani kell.

- A készülék belső felét könnyebb olyankor takarítani, amikor nincs benne sok élelem.
- Törölje át a készülék belső felületeit szódabikarbónás oldattal. Öblítse le meleg vízzel, használjon egy kicsavart szivacsot vagy rongyot.
- Törölje le a polcokat és fiókokat is mielőtt visszahelyezi őket a készülékbe.
- Jól töröljön le minden felületet és az eltávolítható tartozékokat is.
- Annak ellenére, hogy ez a készülék automatikusan leolvasztja saját magát, a fagyasztó rekesz belső oldalain jégréteg alakulhat ki abban az esetben, ha az ajtót gyakran nyitogatják, vagy ha túl sok ideig nyitva tartják. Amennyiben a jégréteg túl vastag, válasszon egy olyan időpontot, amikor a fagyasztó rekesz majdnem üres, és az alábbiak szerint járjon el:
 1. Vegye ki az élelmiszereket és a tartozékokat, húzza ki a dugaszt az áramforrásból és hagyja a készülék ajtóit nyitva. Jól szellőztesse ki a szobát, így felgyorsíthatja a leolvasztási folyamatot.
 2. A leolvasztás befejezését követően tisztítsa meg a fagyasztó rekeszt úgy ahogy a fentiekben le van írva.

Figyelmeztetés!

Ne használjon éles tárgyakat a fagyasztó rekeszben képződött jég eltávolításához. A készüléket az áramforráshoz akkor csatlakoztassa ismét, ha a belseje már teljesen száraz.

Az ajtógarnitúrák tisztítása

Az ajtógarnitúrákat igyekezzen tisztán megőrizni. A ragadós élelmiszerek és italok hozzáragaszthatják a garnitúrákat a vázhoz, így elszakadhatnak amikor az ajtót nyitja. Mossa le az ajtó tömítéseket enyhe tisztítószerrel és meleg vízzel. Tisztítás után öblítse le és jól törölje át az ajtó tömítéseit.

Figyelem! A készüléket csak akkor kapcsoljuk ismét vissza az elektromos energiaforráshoz, amikor az ajtó tömítések teljes mértékben megszáradtak.

Kiolvasztás

A hűtőszekrény a légűtés elvén alapul, ezért automatikus leolvasztási funkcióval rendelkezik.

XIII. HIBAELHÁRÍTÁS

Abban az esetben, ha a készülékkel gondjai vannak, vagy úgy látja, hogy nem működik megfelelően, elvégezhet néhány egyszerű ellenőrzési művelet mielőtt szakszervizhez fordulna.

Figyelmeztetés! Ne próbálja házilag megjavítani a készüléket. Ha az alább felsorolt ellenőrzéseket elvégezte és a probléma továbbra is fennáll, forduljon szakképzett technikushoz, villanyszerelőhöz vagy ahhoz az üzlethez ahonnan a készüléket vásárolta.

Probléma	Lehetséges ok és a megoldás
A készülék nem működik megfelelően.	Győződjön meg róla, hogy a készülék csatlakozója megfelelően csatlakoztatva van az áramforráshoz.
	Ellenőrizze az áramforrás biztosítékát vagy áramkörét és ha szükséges cseréljen biztosítékot.
A hűtőszekrény különböző részeiben kellemetlen szag van	Lehet, hogy a szoba hőmérséklete túl alacsony. Az normális, ha az automatikus leolvasztási ciklus alatt vagy a bekapcsolást követően rövid ideig a készülék nem működik, így védi a kompresszort.
	Elképzelhető, hogy szükséges alaposan kitisztítani a hűtőszekrény belsejét. Bizonyos élelmiszerek, csomagolóanyagok vagy tárolóedények szagosak lehetnek.
A készülék hangokat bocsát ki.	Az alábbi hangok normálisak: <ul style="list-style-type: none"> • A kompresszor működése miatti hangok. • A ventilátor által kifújta levegő okozta hangok a mélyhűtő részben vagy más részeken. • A vízcsepegéshez hasonló csobogás. • Az automata leolvasztás közbeni roppanások. • A kompresszor indulása előtti csattanások.
	Más furcsa hangok az alábbi okok miatt jelentkezhetnek és ez esetben lehetséges, hogy intézkedésre van szükség: A készülék nem kiegyensúlyozott. A készülék hátsó része hozzáér a falhoz. Az üvegek vagy tárolóedények leesnek vagy elgurulnak.
A motor megszakítás nélkül működik.	Az normális, hogy a motor hangját gyakrabban halljuk, többet működik az alábbi esetekben: <ul style="list-style-type: none"> • A hűtőszekrény hőmérsékletét alacsonyabbra állították mint ahogyan az szükséges. • Nagy mennyiségű élelmiszer került nemrégben a készülékbe. • A készüléket körülvevő levegő hőmérséklete túl magas. • Az ajtót túl gyakran kinyitják vagy túl sokáig marad nyitva. • A készülék első beüzemelését követően vagy ha a készülék hosszabb ideig üzemben kívül volt, most pedig ismét beüzemeltük.
A rekeszben jég réteg képződik.	Győződjön meg róla, hogy a levegő kiáramlásának réseit nem zárta el élelmiszerekkel és, hogy az élelmiszerek megfelelően vannak elhelyezve a hűtőszekrény különböző részeiben, lehetővé téve a levegő áramlását. Győződjön meg róla, hogy az ajtó jól be van csukva. A jég eltávolításával kapcsolatos tanácsokért kérjük, tanulmányozza a tisztításra vonatkozó fejezetet.
A készülék belsejében a hőmérséklet túl magas.	Lehetséges, hogy túl sokáig volt nyitva a hűtőszekrény ajtója vagy túl gyakran nyitottuk ki; vagy az ajtó záródását valamilyen akadály nem teszi lehetővé; vagy a készülék oldalsó, felső vagy hátsó részén nem hagyott szabadon elegendő teret.

A készülék belsejében a hőmérséklet túl alacsony.	Növelje a hőmérsékletet a hőmérséklet beállítása fejezetben található utasítások szerint.
Az ajtókat nem lehet könnyedén becsukni.	Ellenőrizze, hogy egy a hűtőszekrényben levő tárgy nem akadályozza-e az ajtók csukódását, illetve, hogy megvan-e a 10-15 mm-es hátrafelé eldőlés annak érdekében, hogy az ajtók maguktól csukódjanak.
A hűtőszekrényből bugyborékolás hallatszik.	Ez normális jelenség. A zajt a hűtőszekrény vezetékében keringő hűtőfolyadék okozza.
Víz jelent meg a padlón.	A vízgyűjtő edény (a hátsó rész alján található) nincs helyesen behelyezve, a víz kivezető fűvócsöve (a kompresszort tartó rész felső felénél található) eldugult vagy nem megfelelő pozícióban van és nem a vízgyűjtő tál felé vezeti a vizet. Előfordulhat, hogy szükségessé válik a hűtőszekrényt eltávolítani a faltól annak érdekében, hogy a tálat és a fűvócsövet leellenőrizhesse.

SZERVIZ ÉS ÜGYFÉLSZOLGÁLAT

Kizárólag eredeti cserealkatrészeket használjon.

Mielőtt felvenné a kapcsolatot az engedélyezett szakszervizünkkel, győződjön meg róla, hogy a következő adatok a rendelkezésére állnak: Modell megnevezése és sorozatszám
Ezeket az adatokat a készülék műszaki adattábláján találja. Ezek az adatok előzetes értesítés nélkül is megváltoztathatók.

MŰSZAKI ADATOK

A termék műszaki adatai a készülék műszaki adattábláján és az energiacímkéjén vannak feltüntetve.

A hűtőszekrény energiacímkéjén található QR-kód egy internetes linket biztosít a készülék teljesítményével kapcsolatos információkhoz, melyek az EPREL adatbázisban találhatóak.

Utólagos tanulmányozás céljából, őrizze meg az energiacímkét a használati útmutatóval valamint a készülék egyéb dokumentumaival együtt.

Úgyszintén, ezeket az információkat az EPREL adatbázisban is megtalálja. Ennek érdekében használja a következő linket: <https://eprel.ec.europa.eu> és adja meg a termék megnevezését és sorozatszámát, amelyeket a készülék műszaki adattábláján talál.

A termékével kapcsolatos információk eléréséhez az EPREL portálon beolvashatja az alábbi kódokat:



Köszönjük, hogy termékünket választotta! Ha termékével kapcsolatosan további információkra van szüksége, keresse fel honlapunkat az alábbi linkeket használva:

A használati útmutatókat innen töltheti le: <https://www.heinner.ro>

A javításokra vonatkozó adatokat itt találja: <https://www.heinner.ro>



A hulladékok környezetfelelős eltávolítása

Segíthet a környezet védelmében!

Kérjük, tartsa be a helyi rendelkezéseket: a nem működő elektromos berendezéseket a használt elektromos hulladékokat gyűjtő központba szolgáltatassa be.



A **HEINNER** a **Network One Distribution SRL(KFT)** társaság által bejegyzett védjegy. A többi márkajelzés és a termékek megnevezése kereskedelmi vagy az illető birtoklók által bejegyzett márkanevek.

A leírtak egyetlen része sem használható fel semmilyen formában, még lefordított, átalakított változatban sem, a NETWORK ONE DISTRIBUTION előzetes beleegyezése nélkül.

Copyright © 2013 Network One Distribution. Minden jog fenntartva.

www.heinner.com, <http://www.nod.ro>

<http://www.heinner.com>, <http://www.nod.ro>



A terméket az Európai Közösség előírásainak és jogszabályainak megfelelően tervezték és gyártották.

Importőr: **Network One Distribution**

Marcel Iancu utca, 3-5 szám, Bukarest (București), Románia

Tel: +40 21 211 18 56, www.heinner.com, www.nod.ro