

# HEINNER

## AUTOMATIC WASHING MACHINE Model: HWM-VT1710KD++



- Automatic washing machine
- Loading capacity: 7 kg
- Spin speed: 1000 rpm
- Energy class: D

Thank you for purchasing this product!

## I. INTRODUCTION

***Before using the appliance, please read carefully this instruction manual and keep it for future reference.***

This instruction manual is designed to provide you with all required instructions related to the installation, use and maintenance of the appliance.

In order to operate the unit correctly and safety, please read this instruction manual carefully before installation and usage.

## II. CONTENT OF YOUR PACKAGE



- **Automatic washing machine**
- **User manual**
- **Warranty card**

### III. SAFETY PRECAUTIONS

1. Your machine is designed to be used domestically. Commercial use will cause your warranty to be cancelled.
2. Keep your pets away from your machine.
3. Please check the packaging of your machine before installation, and the outer surface after the package is opened. Do not operate damaged machines or machines with opened package.
4. Have your machine installed only by authorized person. Any interference to your machine by anyone other than authorized person shall cause your warranty to be void.
5. The appliance is not intended for use by people (including children) with reduced physical, sensory or mental capabilities, or lack of experience and knowledge unless they have been given supervision or instruction concerning use of the appliance by a person responsible for their safety. Children should be supervised to ensure that they do not play with the appliance.
6. Use your machine only for laundries that have been specified as suitable for washing by the manufacturer.
7. Before operating the washing machine, remove the 4 transportation screws and rubber spacers from the back of the machine. If the screws are not removed, it may cause heavy vibration, noise and product malfunction, (voiding the guarantee).
8. Your machine is not covered under warranty for faults caused by any kind of external factors (pesticides, fire, etc.)
9. Please do not throw away this user manual; keep it for future reference. You or somebody else might need it in the future.
10. Note: Machinery specifications may vary depending on the product purchased. The necessary ambient temperature for your machine's ideal operation is 15-25°.
11. Frozen hoses can tear and explode. In regions where temperature is below zero, ambient temperature might endanger the safe operation of electronic card.
12. Please ensure that the clothes you will place in your machine do not contain any foreign substances (nail, needle, coins, lighter, matches, clip etc.) in their pockets. These foreign substances can damage your machine.
13. It is recommended to perform the first washing operation in 90° Cotton programme and without laundry by inserting ½ scale of detergent in 2nd compartment of the detergent drawer.
14. As detergent or softener exposed to air for a long time may cause residues, put your detergent or softener in the detergent drawer at the beginning of every washing.
15. It is advised that you unplug your machine and close the water inlet tap if you will not use your machine for a long time. Also, leaving the door of your machine will prevent the formation of bad odors due to humidity.
16. Some water might be left in your machine after the trials and tests conducted due to Quality Control procedures. This will not damage your machine.
17. Remember that packaging materials of your machine may be dangerous for children. Keep the packaging materials in a place where children cannot reach or dispose of them appropriately.
18. Use pre-wash programs only for very dirty laundry.
19. Never open the detergent drawer when the appliance is running.
20. In case of any breakdown, unplug the appliance first and then turn the tap off. Do not attempt to repair by yourself, always contact for authorized service advice.
21. The amount of laundry you put in your washing machine should not exceed the maximum amount indicated.
22. Never force the door to open when the machine is running.
23. Washing floury clothes in your machine damages the machine. Do not wash floury clothes in your machine.

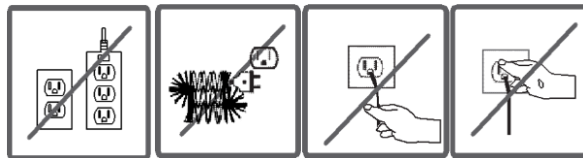
24. Please follow the manufacturers' instructions regarding the use of fabric conditioner or any similar products that you intend to use in your Washing Machine.
25. Make sure that the door of your Washing Machine is not restricted and can be opened fully.

**DANGER OF GETTING BURNT!**

Do not touch discharging hose and water during discharging as the appliance may reach high temperatures when running.

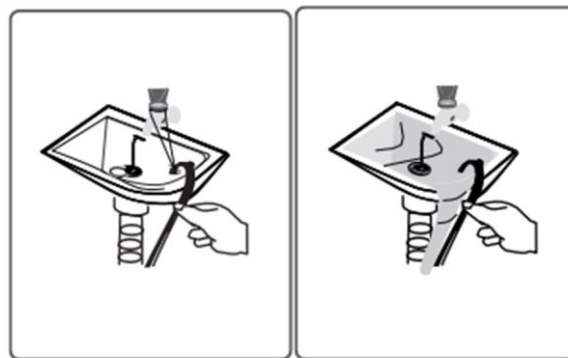
**DEATH RISK DUE TO ELECTRICAL CURRENT!**

1. Do not use multiple receptacles or extension cord.
2. Do not plug in damaged plug sockets.
3. Never pull the cable when unplugging – always grip the plug itself.
4. Do not plug-in or out the plug from the receptacle with wet hands to prevent electrocution!
5. Never touch the machine with wet hands or feet.
6. Call the nearest authorized service for a replacement if the power cord malfunctions.



**FLOODING RISK!**

1. Check whether the water runs fast or not before placing the discharge hose on the sink.
2. Take necessary measures to prevent the slipping of your hose.
3. The backfiring force of a hose that is not placed appropriately can displace the hose. Prevent the stopper inside your sink from blocking the sink hole.



**DANGER OF FIRE!**

1. Do not keep inflammable liquids near your machine.
2. The sulphure content of paint removers might cause corrosion. For this reason, never use paint-removing materials in your machine.
3. Never use products that contain solvent material (like washing gas) in your machine.
4. Remove all the objects in the pockets of your laundries (needle, paperclip, lighter, matches etc.) when placing them your machine.

**Fire and Explosion risk may occur.**

### **FALL AND INJURY HAZARD!**

1. Do not climb on your machine. The upper table of your machine may break and you might get injured.
2. Tidy the hose, cable and packaging of your machine during installation. You might trip over and fall.
3. Do not turn your machine upside down, or on its side.
4. Do not lift your machine by holding it from extruding parts (detergent drawer, door). These parts might break and cause you to get injured.
5. There is the risk of tripping and injury if the materials like hose and cables are not properly stored after your machine is installed.

**Machine must be carried by 2 people or more.**

### **CHILD SAFETY!**

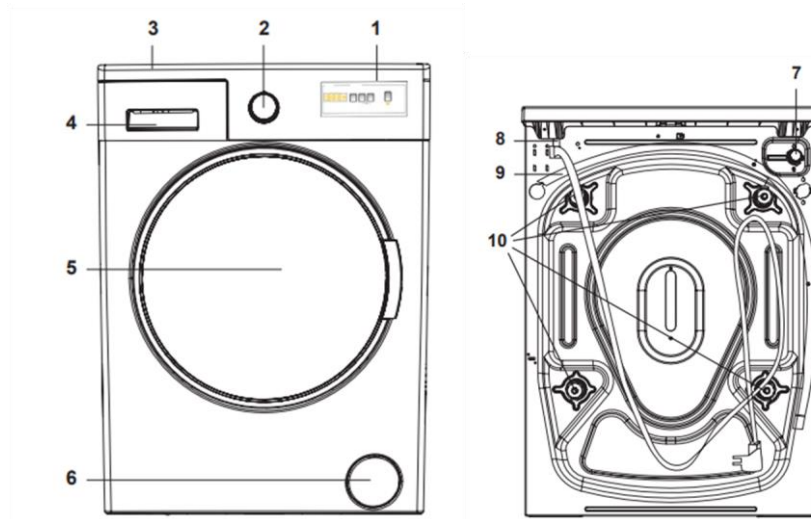
1. Do not leave children unattended near the machine. Children might lock themselves up into the machine and death risk might occur.
2. Door glass and surface might be extremely hot while your machine operates. Thus, especially touching the machine might give damage to the skins of children.
3. Keep packaging material away from children.
4. Poisoning might occur if the detergent and maintenance materials are consumed, and eyes or the skin might be irritated if they come into contact with the skin. Keep the cleaning materials away from the reach of children.

### **SAVING INFORMATION**

Some important information to get more efficiency out of your machine:

The amount of laundry you put in your washing machine should not exceed the maximum amount indicated. By this way, your machine shall run in saving mode. Not using the pre-wash feature for little and normal-dirty laundry shall save electricity and water.

#### IV. PRODUCT DESCRIPTION

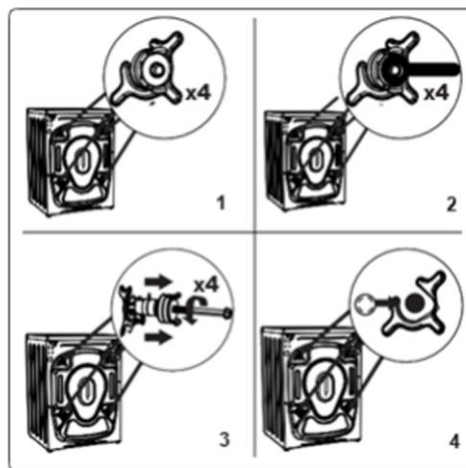


1. Electronic Display
2. Program Dial
3. Upper Tray
4. Detergent Drawer
5. Drum
6. Pump Filter Cover
7. Water Inlet Valve
8. Power Cable
9. Discharging Hose
10. Transit Bolts

## V. INSTALATION

### REMOVING THE TRANSIT BOLDS

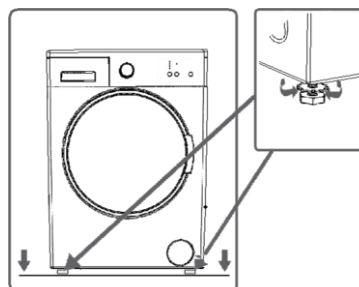
1. Before operating the washing machine, remove the 4 transportation screws and rubber spacers from the back of the machine. If the screws are not removed, it may cause heavy vibration, noise and product malfunction, (voiding the guarantee).
2. For this reason, transportation safety screws shall be loosened by being rotated in counterclockwise using an appropriate wrench.
3. Transportation screws shall be removed by pulling out.
4. Fit the plastic transportation screw taps delivered in accessories bag to the places where transportation screws have been removed.
5. The transportation safety screws should be stored to be used in case of transportation.



**NOTE: You should absolutely remove the transportation screws of your machine before the first usage. Faults occurring in the machines operated with transportation screw fitted shall be out of scope of warranty.**

### ADJUSTMENT

Do not install your machine on a carpet or such grounds that would prevent the ventilation of its base. To ensure silent and vibration-free operation of your machine, it should be deployed on a non-sliding and firm ground. You can adjust the balance of your machine through the stays. Loosen the plastic adjustment nut.

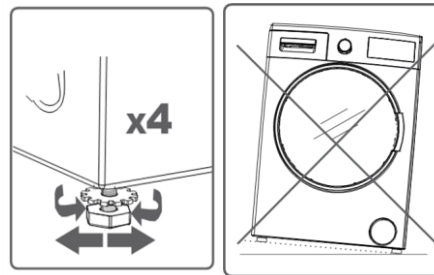


Adjust the stays upward and downward by rotating them.

After maintaining the balance, compress the plastic adjustment nut upward again.

Never put cardboard, wood or suchlike materials under your machine if you are intending to stabilize the distortions on the ground.

When cleaning the ground, on which your machine rests, be careful not to disorder stays stabilization.



#### **ELECTRICAL CONNECTION**

- Your washing machine is set to 220-240V and 50Hz.
- The mains cord of your washing machine is equipped with a specific earthed plug. This plug should always be inserted to an earthed socket of 10 amps.
- The current value of the fuse should be 10 amps. Fuse current value of the power line connected to this plug should also be 10 amperes.
- If you do not have such a receptacle and fuse confirming with this, please have it done by a qualified electrician.
- We do not take the responsibility of the damages that occur due to ungrounded usage.

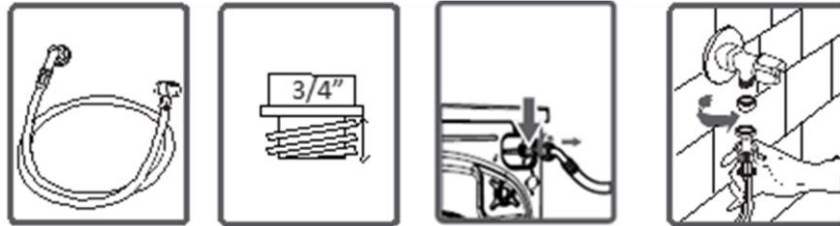
**NOTE: Operating your machine under low voltage will cause the life cycle of your machine to be reduced and its performance to be restricted.**

#### **WATER INLET HOSE CONNECTION**

- Your machine may have either a single inlet (cold) or double water inlets (cold/hot) based on its specifications. White-capped hose should be connected to cold water inlet and red-capped hose to hot water inlet (applicable for machines with double water inlets). To eliminate water leakages in points of contact, 1 or 2 nuts are provided in the hose package (applicable for machines with double water inlets). Fit these nuts to the ends of new water inlet hoses on the side of faucet.
- Mount new water inlet hoses to a  $\frac{3}{4}$  ", threaded faucet.
- Connect the white-elbow end of the water inlet hoses to the white-filtered water inlet valve on the rear side of the machine and the red-elbow end to red-filtered one (applicable for machines with double water inlets). Tighten plastic parts of the junctions using your hand. In uncertain conditions, have the connection works be done by a qualified plumber.



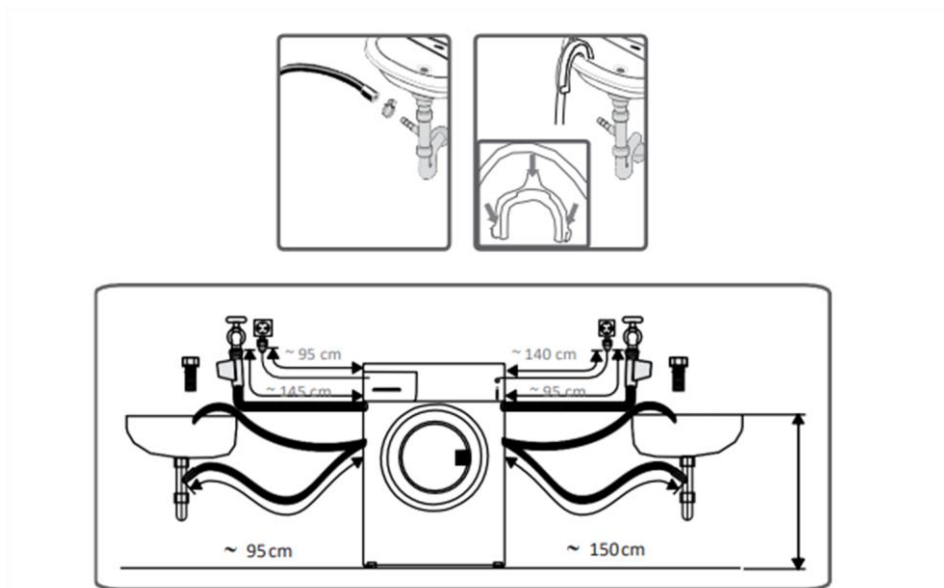
- Flow of water with pressure of 0,1-1 Mpa will allow your machine to operate more efficiently.) (0,1 Mpa pressure means that more than 8 liters of water will flow through a fully tapped faucet per one minute.)
- Ensure that points of contact do not leak by tapping the faucet completely after carrying making the connections.
- Ensure that the new water inlet hoses are not bent, broken, crushed and resized.
- If your machine has double hot water inlets, the temperature of hot water inlet should be maximum 70°C.

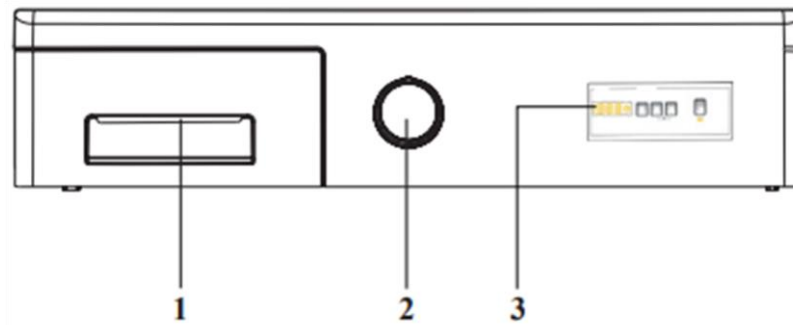


**Note: Use only the new water inlet hose coming with your machine while making water inlet connections of your machine. Never use old, used or damaged water inlet hoses.**

#### WATER DISCHARGE CONNECTION

- The end of water discharge hose can be fitted to a specific apparatus directly attached to dirty water discharge hole or outlet joint of the basin elbow.
- Never attempt to extend the water discharge hose by jointing.
- Do not put discharging hose of your machine in a vessel, bucket or sink.
- Make sure that the water discharge hose does not bend, buckle, be crushed or extended. Please note: The water drain hose should be mounted at a height maximum 100 cm from the ground.



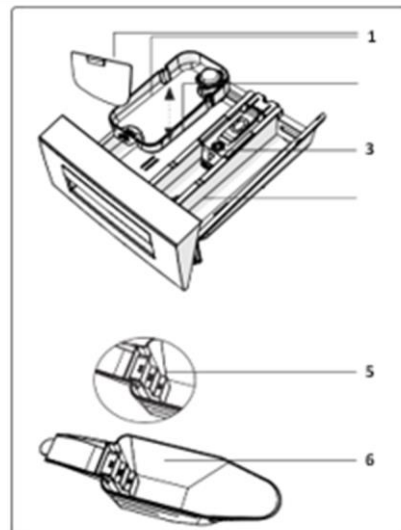
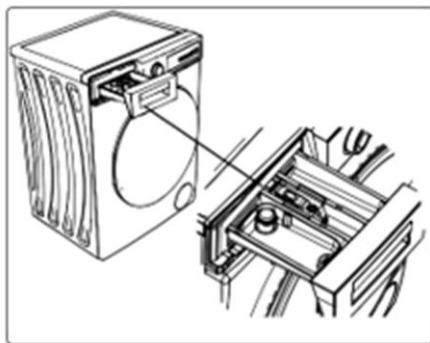


1. Detergent Drawer
2. Program Dial
3. Electronic Display

### Detergent Drawer

You can use the liquid level determination plate when you want to wash your laundry with liquid detergent. You can use your liquid detergents in all programs without prewashing. Place the liquid detergent apparatus in the second compartment (which is available inside the machine) of the detergent drawer and set the detergent amount. (Use the recommended amount of liquid detergent by detergent producers).

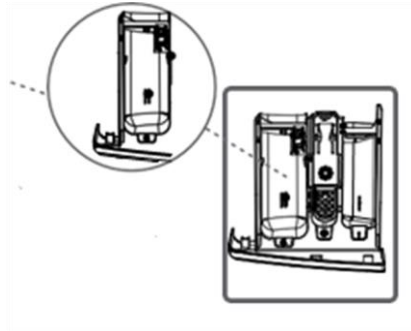
Do not exceed the MAX level, use only for liquid detergent, do not use this apparatus for powder detergent and take it out.



1. Liquid Detergent Attachments
2. Main Wash Detergent Compartment
3. Softener Compartment
4. Pre-Wash Detergent Compartment
5. Powder Detergent Levels
6. Powder Detergent Scoop

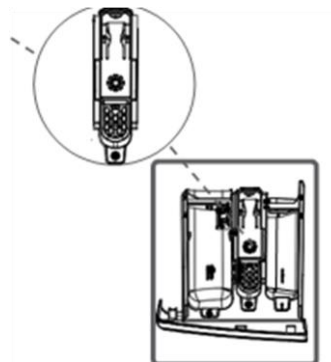
**Main wash detergent compartment:**

In this compartment, only materials like detergent (liquid or powder), lime preventer and such can be used.



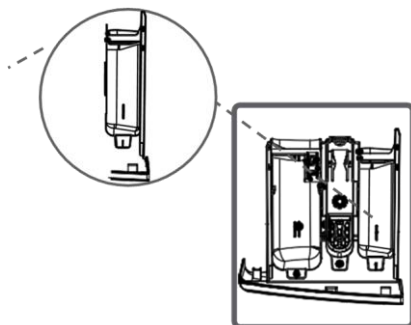
**Fabric conditioner, starch, detergent compartment:**

This compartment is for softeners, conditioners or starch. Follow the instructions on the packaging. If softeners leave residue after use, try diluting them or using a liquid softener



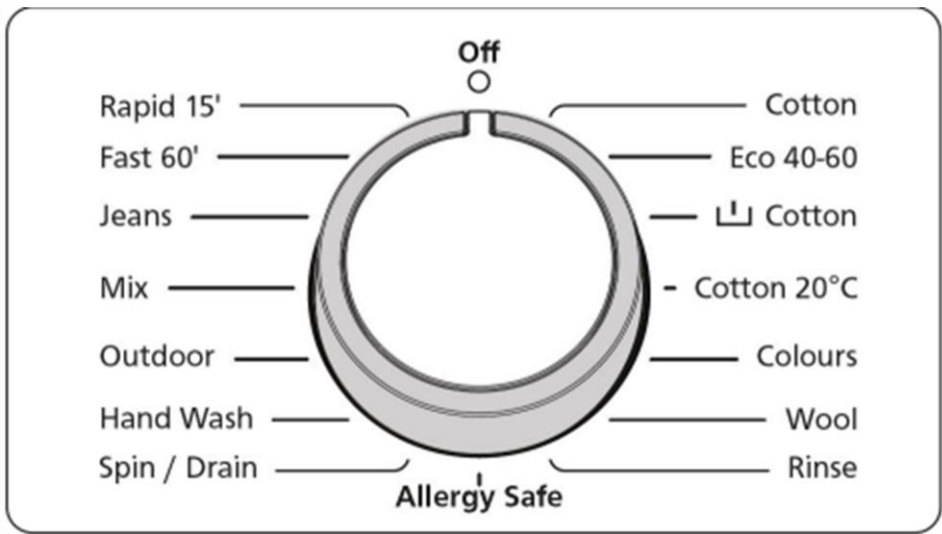
**Pre-wash detergent compartment:**

This compartment should be used only when the pre-wash feature is selected. We recommend that the pre-wash feature is used only for very dirty laundry.

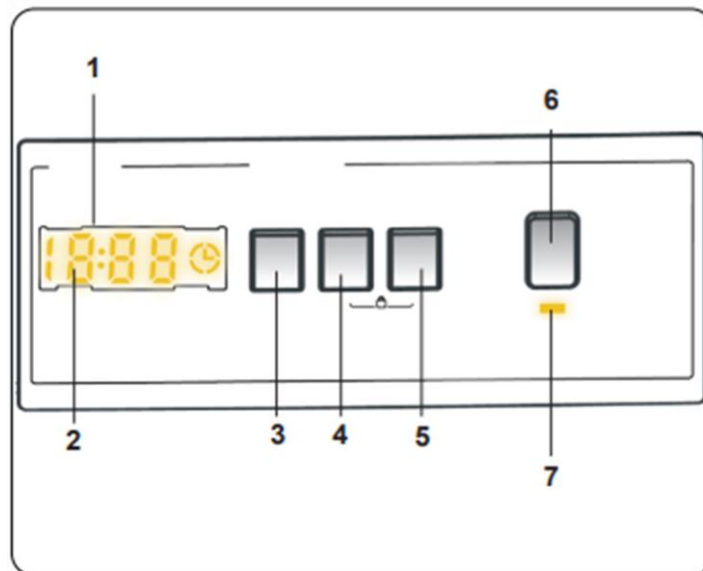


**VI. CONTROL PANEL**

You can select the program you want to wash your laundry in through program knob. You may set the program selection operation by rotating the program knob in both directions. Ensure that the program knob is exactly on the program you want to select.



## VII. ELECTRONIC DISPLAY



1. Electronic Display
2. Digital Display
3. Water Temperature Adjustment Button
4. RPM Speed Adjustment Button
5. Delayed Start Additional Function
6. Start/Pause Button
7. Start/Pause Button Lamp

The display panel shows the washing delay timer (if set), temperature selection, spin speed, any additional functions selected. The display panel shows "End" when the selected program is complete. The display panel also indicates if a fault has occurred with your machine.

## VIII. USING YOUR APPLIANCE

### SEPARATING LAUNDRIES

- Your laundry has product labels on them that specify their specifications. Wash or dry your laundry according to the specifications on the product label.
- Separate your laundries according to their types (cotton, synthetic, sensitive, wool etc.), their temperatures (cold, 30°, 40°, 60°, 90°) and degree of contamination (slightly stained, stained, highly stained).
- Never wash your colored and white laundry together.
- Wash your colored laundries separately in the first washing as they may bleed.
- Ensure that there are no metallic materials on your laundries or in the pockets; if so, take them up.



**CAUTION: Faults that will emerge in case of penetration of foreign substances into your machine are not included within the scope of warranty.**

- Zip up and button up your laundries.
- Remove the metallic or plastic hooks of tulle curtains or curtains or place them in a washing net or bag and then muzzle them.
- Reverse textiles such as pants, knitwear, t-shirt and sweat suit.
- Wash socks, handkerchief and suchlike small laundries in a washing net.

### PUTTING LAUNDRIES IN THE MACHINE

- Open the door of your machine.
- Spread your laundries in your machine.

**NOTE: Maximum loading capacity may vary based on the laundry type you will wash, degree of contamination and the program you have chosen. Do not exceed maximum dry loading capacity indicated in the program table for washing programs.**

You can take the following table of weights as an example:

| Laundry type | Weight (gr) |
|--------------|-------------|
| Towel        | 200         |
| Linen        | 500         |
| Bathrobe     | 1200        |
| Quilt cover  | 700         |
| Pillow slip  | 200         |
| Underwear    | 100         |
| Tablecloth   | 250         |

- Put each item of laundry separately.
- Ensure that no laundry is stuck between the cover and bellow seal when closing the door of your machine.
- Push the door of your machine until hearing the locking sound to close it.
- Close the door of your machine properly, otherwise your machine will not start the washing operation.



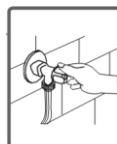
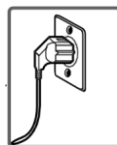
## ADDING DETERGENT INTO MACHINE

The amount of detergent you will put in your machine will depend on the following criteria:

- Your detergent utilization will be based on the degree of contamination of your laundries. Do not prewash your less stained laundries and put your slight amount of detergent in the 2nd compartment of the detergent drawer.
- For your much stained laundries, select a program including prewashing, and put  $\frac{1}{4}$  of the detergent you will put in the detergent drawer in the 1st compartment of the detergent drawer while putting the remaining  $\frac{3}{4}$  of it into 2nd compartment.
- Use detergents produced for automatic washing machine in your machine. The amount of detergent you will use for your laundries is printed on the detergent package.
- The higher the degree of hardness of the water the more detergent you will use.
- The amount of the detergent you will use will increase as the amount of your laundries increase.
- Put the softener in the softener compartment in the detergent drawer. Do not exceed the MAX level. Otherwise, softener will flow into washing water through flushing.
- Softeners with high density are required to be thinned to a degree before being put in the drawer. Because high-density softener will clog the flush and avoid the flow of the softener.
- You can use your liquid detergents in all programs without prewashing. For this, fit liquid detergent level plate in the accessories bag or the liquid detergent apparatus (\*) into 2nd compartment of the detergent drawer and set the amount of liquid detergent according to the levels on this plate. Remember to detach the liquid detergent plate.

## OPERATING YOUR MACHINE

1. Plug your machine in.
2. Open the water faucet.
3. Open the machine door.
4. Spread your laundries in machine.
5. Push the door until hearing the locking sound to close it.



## HALF-LOAD DETECTION SYSTEM

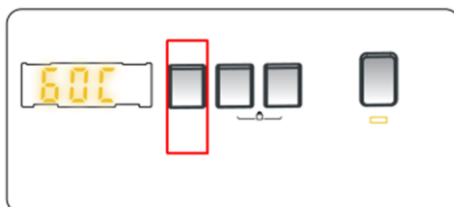
Your machine features a half-load detection system.

In case you put approximately half or less amount of laundries of maximum laundry capacity in your machine, your machine will run so as to save washing time, water consumption and energy in some programs. When the half-load function is active, the machine can complete the program you have set in a shorter time.



### 1. TEMPERATURE SELECTION

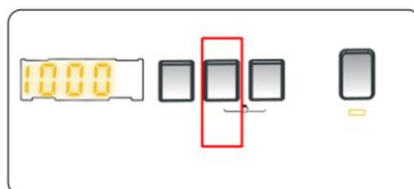
You can select the washing water temperature with the washing water temperature adjustment button. Whenever you select a new program, the maximum washing water temperature is shown on the washing water temperature display.



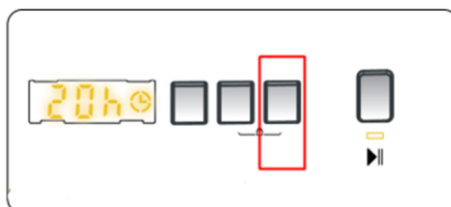
You can gradually decrease the washing water temperature between the maximum temperature and cold washing (--) by pressing washing water temperature adjustment button. If you have missed the washing water temperature you wanted, you can return to the intended temperature by continuously pressing the washing water temperature adjustment button.

### 2. SPIN SPEED SELECTION

You can set the spin revolution for your laundries via revolution speed setting button. When you select a new program, the maximum spin revolution speed of the program you have selected will be viewed on the display of revolution speed. You can gradually reduce the revolution speed between cancel spinning (--) options through the maximum spin revolution of the program selected by pressing revolution speed setting button. If you have skipped the spinning revolution you want to set, you can re-switch to the revolution by keeping the revolution setting button pressed.



### 3. DELAY TIMER



You can use this auxiliary function to delay the start time of the washing cycle for 1 to 23 hours.

To use the delay function: Press the delay key once. "01h" will be displayed. ☀ will light up on the electronic display. Press the delay key until you reach the time after which you want the machine to start the washing cycle.

#### 4. START/PAUSE BUTTON



By pressing on the Start/Pause button, you may start the program you have selected or suspend a running program. If you switch your machine to the standby mode, the Start/Pause led on the electronic display will blink.

#### 5. CHILD LOCK

The Child Lock function allows you to lock the buttons so that the wash cycle you have chosen cannot be changed unintentionally. **To activate child lock, press and hold button 2 and 3 simultaneously for at least 3 seconds. "CL" will flash on the electronic display for 2 seconds when the child lock is activated.**



If any button is pressed or selected program is changed by the program dial while the child lock is active, the "CL" symbol will flash on the electronic display for 2 seconds.

If the child lock function is active and a program is running, when the program dial is turned to the CANCEL position and another program is selected the previously selected program continues from where it was left.

To deactivate the child lock, press and hold button 2 and 3 simultaneously for at least 3 seconds until the "CL" symbol on the electronic display disappears.

#### CANCELLING PROGRAM

**If you want to cancel any program running:**

- Switch the program knob to "CANCEL" position.
- Your machine will stop the washing operation and the program will be cancelled.
- To get rid of the water accumulated in the machine switch the program knob to any program.
- Your machine will perform the necessary discharge operation and cancel the program.
- You can run your machine by selecting a new program.

### CANCELLING PROGRAM

**If you want to cancel any program running:**

- Switch the program knob to “STOP” position.
- Your machine will stop the washing operation and the program will be cancelled.
- To get rid of the water accumulated in the machine switch the program knob to any program.
- Your machine will perform the necessary discharge operation and cancel the program.
- You can run your machine by selecting a new program.

### FINISHING PROGRAM

Your machine will stop by itself as soon as the program you have selected finishes:  
The expression of “End” will flash on the electronic display.



You can open the machine's door and remove the laundry.

- Leave the door of your machine open to allow the inner part of your machine to dry after removing your laundries.
- Switch the program knob to STOP position.
- Unplug your machine.
- Turn the water faucet off.

## IX. PROGRAM TABLE

|                                 |  |
|---------------------------------|--|
| <b>COTTON</b>                   |  |
| Washing temperature (°C)        | 40°, 60°, 70°, 80°, 90°  |
| Maximum dry laundry amount (kg) | 7,0  |
| Detergent compartment           | 2  |
| Program duration (Min.)         | 230  |
| Laundry type / Descriptions     | Very dirty, cotton and flax textiles. (Underwear, linen, tablecloth, towel (maximum 3,5 kg), bedclothes, etc.) |
| <b>ECO 40-60</b>                |  |
| Washing temperature (°C)        | *40° - 60°   |
| Maximum dry laundry amount (kg) | 7,0  |
| Detergent compartment           | 2  |
| Program duration (Min.)         | 208  |
| Laundry type / Descriptions     | Dirty cotton and flax textiles. (Underwear, linen, tablecloth, towel (maximum 3,5 kg), bedclothes, etc.)       |
| <b>COTTON PRE WASH</b>          |  |
| Washing temperature (°C)        | --, 30°, 40°, 50°, 60°   |
| Maximum dry laundry amount (kg) | 7,0  |
| Detergent compartment           | 1&2  |
| Program duration (Min.)         | 164  |
| Laundry type / Descriptions     | Dirty cotton and flax textiles. (Underwear, linen, tablecloth, towel (maximum 3,5 kg), bedclothes, etc.)       |
| <b>COTTON 20°</b>               |  |
| Washing temperature (°C)        | --, 20°  |
| Maximum dry laundry amount (kg) | 3,5  |
| Detergent compartment           | 2  |
| Program duration (Min.)         | 96   |
| Laundry type / Descriptions     | Less dirty, cotton and linen textiles. (Underwear, bedsheet, tablecloth, towel (max.2,0 kg) bed cloth, etc.)   |
| <b>COLOURS</b>                  |  |
| Washing temperature (°C)        | --, 30°, 40°   |
| Maximum dry laundry amount (kg) | 7,0  |
| Detergent compartment           | 2  |
| Program duration (Min.)         | 225  |
| Laundry type / Descriptions     | Less dirty, cotton and linen textiles. (Underwear, bedsheet, tablecloth, towel (max. 3,5 kg) bed cloth, etc.)  |
| <b>WOOL</b>                     |  |
| Washing temperature (°C)        | --, 30°  |
| Maximum dry laundry amount (kg) | 2,5  |
| Detergent compartment           | 2  |
| Program duration (Min.)         | 39   |
| Laundry type / Descriptions     | Woollen laundries with machine wash labels   |
| <b>RINSE</b>                    |  |
| Washing temperature (°C)        | -  |
| Maximum dry laundry amount (kg) | 7,0  |
| Detergent compartment           | -  |
| Program duration (Min.)         | 30   |
| Laundry type / Descriptions     | Provides an additional rinse to any type of laundry after the washing cycle.                                   |

|                                 |   |
|---------------------------------|---|
| <b>ALLERGY SAFE</b>             |   |
| Washing temperature (°C)        | --, 30°, 40°, 50°, 60°  |
| Maximum dry laundry amount (kg) | 3,5   |
| Detergent compartment           | 2   |
| Program duration (Min.)         | 197   |
| Laundry type / Descriptions     | Baby laundry  |
| <b>SPIN/DRAIN</b>               |   |
| Washing temperature (°C)        | -   |
| Maximum dry laundry amount (kg) | 7,0   |
| Detergent compartment           | -   |
| Program duration (Min.)         | 15  |
| Laundry type / Descriptions     | You can use this program for any type of laundry if you want an additional spin step after the washing cycle. You can use the drain program to drain the water accumulated inside the machine (adding or removing laundry). To enable the drain program, turn the program knob to the spin/ drain program. After you select "spin cancelled" using the auxiliary function key, the program will start to run. |
| <b>HAND WASH</b>                |   |
| Washing temperature (°C)        | --, 30°   |
| Maximum dry laundry amount (kg) | 2,5   |
| Detergent compartment           | 2   |
| Program duration (Min.)         | 90  |
| Laundry type / Descriptions     | Laundry recommended for hand wash or sensitive laundry.   |
| <b>OUTDOOR</b>                  |   |
| Washing temperature (°C)        | --, 30°, 40°  |
| Maximum dry laundry amount (kg) | 3,5   |
| Detergent compartment           | 2   |
| Program duration (Min.)         | 110   |
| Laundry type / Descriptions     | Very dirty or synthetic-mixed textiles. (Nylon socks, shirts, blouses, synthetic-including trousers etc.)   |
| <b>MIX</b>                      |   |
| Washing temperature (°C)        | --, 30°, 40°  |
| Maximum dry laundry amount (kg) | 3,5   |
| Detergent compartment           | 2   |
| Program duration (Min.)         | 105   |
| Laundry type / Descriptions     | Dirty cotton, synthetics, colour and flax textiles can be washed together   |

|                                 |  |
|---------------------------------|--|
| <b>JEANS/ DARK GARMENTS</b>     |  |
| Washing temperature (°C)        | --, 30°  |
| Maximum dry laundry amount (kg) | 3,5  |
| Detergent compartment           | 2  |
| Program duration (Min.)         | 96   |
| Laundry type / Descriptions     | Black and dark items made of cotton, mixed fibre, or jeans. Wash inside out., Jeans often contains excess dye and may run during the first few washes. Wash light and dark coloured items separately |
| <b>FAST 60 min (*)</b>          |  |
| Washing temperature (°C)        | --, 30°, 40°, 50°, 60°   |
| Maximum dry laundry amount (kg) | 3,0  |
| Detergent compartment           | 2  |
| Program duration (Min.)         | 60   |
| Laundry type / Descriptions     | Dirty, cotton, coloured and linen textiles washed at 60°C in 60 minutes.   |
| <b>RAPID 15 min (**)</b>        |  |
| Washing temperature (°C)        | --, 30°  |
| Maximum dry laundry amount (kg) | 2,0  |
| Detergent compartment           | 2  |
| Program duration (Min.)         | 15   |
| Laundry type / Descriptions     | In a short time of 15 minutes, lightly soiled, cotton, coloured and linen textiles you can wash.   |

**NOTE:** PROGRAMME DURATION MAY CHANGE ACCORDING TO THE AMOUNT OF LAUNDRY, TAP WATER, AMBIENT TEMPERATURE AND SELECTED ADDITIONAL FUNCTIONS.

(\*) If your machine includes the rapid washing additional function and you put 2 kg or less of laundry into your machine, your machine will automatically wash the laundry for 30 minutes.

(\*\*) Due to the short washing time of this program, we recommend that less detergent is used. The program may last longer than 15 minutes if your machine detects an uneven load. You can open the door of your machine 2 minutes after the completion of a washing operation. (The 2-minute period is not included in the program duration).

The Eco 40-60 program can clean normally soiled cotton laundry declared to be washable at 40°C or 60°C, together in the same cycle, and that this program is used to assess the compliance with the EU eco-design legislation.

- The most efficient programs in terms of energy consumption are generally those that perform at lower temperatures and longer duration.
- Loading the household washing machine up to the capacity indicated by the manufacturer for the respective programs will contribute to energy and water savings.
- Program duration, energy consumption and water consumption values may vary according to wash load weight and type, selected extra functions, tap water and ambient temperature.
- It is recommended to use liquid detergent for the washing programs at low temperature. The amount of detergent to be used may vary depending on the amount of laundry and the level of dirtiness of the laundry. Please follow the detergent manufacturers' recommendations for the detergent to be used.
- The noise and remaining moisture content are influenced by the spinning speed. The higher spinning speed in the spinning phase, the higher noise and the lower remaining moisture content.
- You can access the product database where the model information is stored by reading the QR code on the energy label.

| Programme Name      | Rated Capacity kg | Energy Consumption kWh/cycle |          |          | Programme Duration Hours:Minutes |          |          | Water Consumption Litres/Cycle |          |          | max. Temperature °C |          |          | Remaining Moisture Content % 1000 Rpm |          |          |
|---------------------|-------------------|------------------------------|----------|----------|----------------------------------|----------|----------|--------------------------------|----------|----------|---------------------|----------|----------|---------------------------------------|----------|----------|
|                     |                   | Rated Capacity               | 1/2 Load | 1/4 Load | Rated Capacity                   | 1/2 Load | 1/4 Load | Rated Capacity                 | 1/2 Load | 1/4 Load | Rated Capacity      | 1/2 Load | 1/4 Load | Rated Capacity                        | 1/2 Load | 1/4 Load |
| Cotton 90           | 7                 | 2,22                         |          |          | 03:00                            |          |          | 76                             |          |          | 81                  |          |          | 62%                                   |          |          |
| Cotton 60           | 7                 | 1,19                         |          |          | 03:50                            |          |          | 52                             |          |          | 43                  |          |          | 62%                                   |          |          |
| Eco 40-60           | 7                 | 1,16                         | 0,40     | 0,30     | 03:28                            | 02:40    | 02:40    | 38                             | 30       | 25       | 50                  | 27       | 23       | 62%                                   | 62%      | 62%      |
| Easy Care / Outdoor | 3,5               | 0,49                         |          |          | 01:50                            |          |          | 44                             |          |          | 42                  |          |          | 71%                                   |          |          |
| Fast 60             | 3                 | 0,99                         |          |          | 01:00                            |          |          | 31                             |          |          | 58                  |          |          | 62%                                   |          |          |
| Cotton 20           | 3,5               | 0,2                          |          |          | 01:36                            |          |          | 43                             |          |          | 20                  |          |          | 62%                                   |          |          |

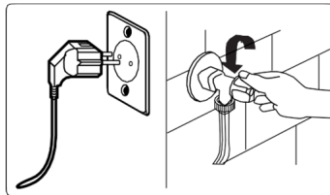
## X. CLEANING AND MAINTENANCE

### WARNING!

Unplug your machine before starting the maintenance and cleaning of your machine.

Turn the tap water off before starting the maintenance and cleaning of your machine.

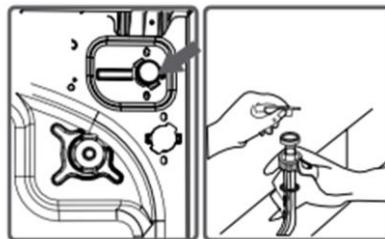
**CAUTION: Your machine's parts might be damaged if cleaners with solvent agents are used. Do not use cleaning materials with solvent agents.**



### WATER INLET FILTERS

Filters to avoid dirt and foreign substances in the water from penetrating into the machine are available both on the side of faucet and on the ends of water valves along the water inlet hose of your machine.

If your machine cannot intake enough water despite water faucet being open, these filters should be cleaned. (It is recommended that you clean your pump filter one in 2 months)



- Unscrew the water inlet hose(s) from the Washing Machine.
- To remove the water inlet filter from the water inlet valve, use a pair of long-nosed pliers to gently pull on the plastic bar in the filter.
- A second water inlet filter is in the tap end of the water inlet hose. To remove the second water inlet filter, use a pair of long-nosed pliers to gently pull on the plastic bar in the filter.
- Clean the filter thoroughly with a soft brush and wash with soapy water and rinse thoroughly. Re-insert the filter by gently pushing it back into place.

### CAUTION:

Filters of water inlet valves may be clogged due to contaminated water faucet or lack of necessary maintenance or valves may be broken down, causing water leaking into your machine continuously.

The breakdowns that may arise due to these reasons are out of the scope of warranty.

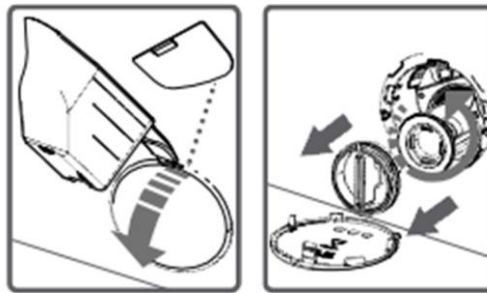
### PUMP FILTER

A filter system which avoids threads remaining from your laundries and tiny materials from entering the pump during water discharging operation carried out by your machine after completing washing so prolonging the lifecycle of your pump is available. It is recommended that you clean your pump filter once in 2 months. To clean pump filter:



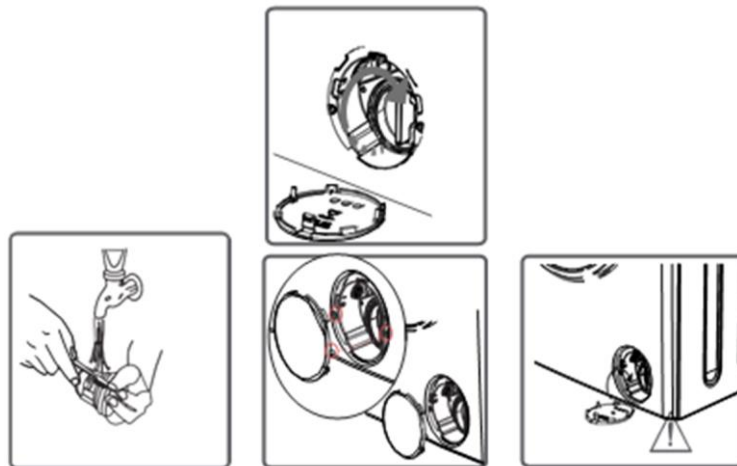
- To open the pump cover, you can use the powder detergent spade or liquid detergent level plate coming out of your machine.
- Fit the end point of the plastic part to the gap of the pump cover and push it back. This will open the cover.
- Before opening the filter cover, settle a vessel in front of the filter cover to prevent the water remained in the machine from flowing on the ground.
- Loosen the filter cover in counterclockwise and then empty water.

Note: You may have to empty the water collection vessel several times according to the amount of water in the machine.



- Clean the foreign materials in the filter with a brush.
- After cleaning the filter, fit the cover and tighten it by rotating it in clockwise direction.
- While closing the pump cover, ensure that the parts on the inner side of the cover to match the holes on the front panel side.

You can reattach the pump cover in the reverse order that you removed it.



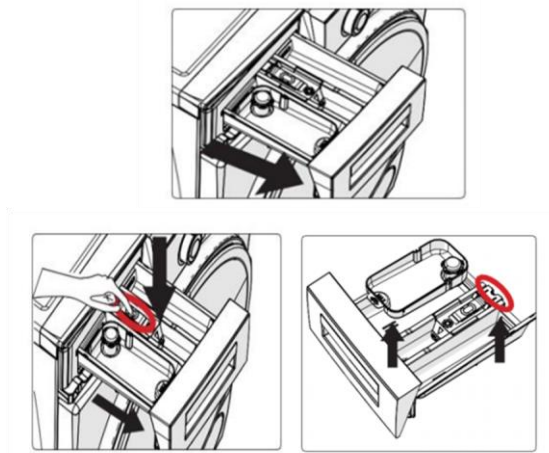
**As water in the pump may be hot, wait until it cools down.**

#### **DETERGENT DRAWER**

Your detergents may deposit residue in detergent drawer and housing of detergent drawer over time. To clean the residue formed, disassemble the detergent drawer in particular periods. It is recommended that you clean your pump filter every 2 months.

To eject the detergent drawer:

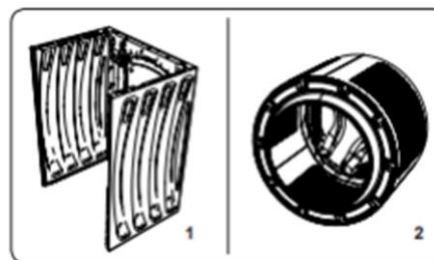
- Pull the detergent drawer up to the end
- Keep on pulling by depressing on the section shown below in the detergent drawer and keep pulling and then unsettle the detergent drawer



- Flush it using a brush.
  - Collect residues in the housing of the detergent drawer without dropping them inside the machine
  - Assemble the detergent drawer after drying it using a towel or dry cloth
- Do not wash your detergent drawer in dishwasher.

### LIQUID DETERGENT APPARATUS

Take out the liquid detergent level apparatus for cleaning and maintenance purposes as shown in the picture and clean well detergent residues. Put the apparatus back into its place. Make sure no residues are left inside.



#### 1. Body

Clean the outer body of your machine with warm water and a non-inflammable cleaning agent that will not abrade the body of your machine. After rinsing with some water, dry it using a soft and dry cloth.

#### 2. Drum

Do not leave metallic objects such as needles, paper clips, coins etc. in your machine. These objects lead to formation of rust stains in the drum. To clean such rust stains, use a non-chlorine cleaning agent and follow the instructions of manufacturers of the cleaning agent. Never use wire wool or similar hard objects for cleaning rust stains.

## XI. TROUBLESHOOTING

All repairing operations required for your machine should be carried out by our authorized service. If your machine requires a repair or if you cannot remove the fault by the help of the information provided as follows:

- Unplug your machine.
- Turn the water faucet off.

| FAULT                                  | POSSIBLE CAUSE   | TROUBLESHOOTING  |
|--|--|--|
| Your machine does not start.           | Machine not plugged in.  | Plug machine in.   |
|  | Fuses are faulty.  | Replace the fuses.   |
|  | No mains power supply.   | Check mains power.   |
|  | Start/Pause button not pressed.  | Press the Start/Pause button.                                |
|  | Program dial 'stop' position.  | Turn the program dial to the desired position.               |
|  | The machine door is not completely closed.                             | Close the machine door.                                      |
| Your machine does not intake water.    | Water tap is turned off.   | Turn tap on.   |
|  | Water inlet hose may be twisted.                                       | Check water inlet hose and untwist.                          |
|  | Water inlet hose clogged.  | Clean water inlet hose filters. (*)                          |
|  | Inlet filter clogged.  | Clean the inlet filters. (*)                                 |
|  | The machine door is not completely closed.                             | Close the machine door.                                      |
| Your machine does not discharge water. | Drain hose clogged or twisted.   | Check the drain hose, then either clean or untwist.          |
|  | Pump filter clogged.   | Clean the pump filter. (*)                                   |
|  | Laundry is too tightly packed together in the drum.                    | Spread your laundry in the machine evenly.                   |
| Your machine vibrates.                 | The feet have not been adjusted.                                       | Adjust the feet. (**)  |
|  | Transit bolts fitted for transportation have not been removed.         | Remove the transit bolts from the machine. (**)              |
|  | Small load in the drum.  | This will not prevent operation of your machine.             |
|  | Your machine is overloaded with laundry or laundry is unevenly spread. | Do not overload the drum. Spread laundry evenly in the drum. |
|  | Your machine rests on a hard surface                                   | Do not set up your Washing Machine on a hard surface         |

| FAULT  | POSSIBLE CAUSE   | TROUBLESHOOTING   |
|--|--|---|
| Excessive foam is formed in the detergent drawer.                      | Excessive amount of detergent used.  | Press the Start/Pause button. To stop the foam, dilute one tablespoon of softener into 1/2 liter of water and pour into the detergent drawer. Press the Start/Pause button after 5-10 mins. |
|  | Wrong detergent used.  | Only use detergents produced for automatic Washing Machines.  |
| Unsatisfactory washing result  | Your washing is too dirty for the program selected.                                    | Use the information in the program tables to select the most appropriate program.   |
|  | Amount of detergent used insufficient.   | Use the amount of detergent as instructed on the packaging.   |
|  | There is too much laundry in your machine.   | Check that the maximum capacity for the selected program has not been exceeded.   |
|  | Hard water.  | Increase the amount of detergent following the manufacturer's instructions.   |
|  | Your laundry is too tightly packed together in the drum.                               | Check that your laundry is spread out.  |
| As soon as the machine is loaded with water, water discharges.         | The end of water drain hose is too low for the machine.                                | Check that the drain hose is at a suitable height.  |
| No water appears in the drum during washing.                           | No fault. Water is in the unseen part of the drum.                                     | .....   |
| Laundry has detergent residue.   | Non-dissolving particles of some detergents may appear on your laundry as white spots. | Perform an extra rinse, or clean your laundry with a brush after it dries.  |
| Grey spots appear on the laundry.                                      | There is untreated oil, cream or ointment on your laundry.                             | Use the amount of detergent as instructed on the packaging in the next wash.  |
| The spin cycle does not take place or takes place later than expected. | No fault. The Unbalanced load control system has been activated.                       | The Unbalanced load control system will try to spread your laundry. The spinning cycle will begin once your laundry is spread. Load the drum evenly for the next wash.                      |

## XII. AUTOMATIC FAULT WARNINGS AND WHAT TO BE DONE

Your machine is equipped with the systems which are capable of both taking necessary precautions and warning you in case of any breakdown by means of continuous self-check-in during washing operations.

| TROUBLE CODE | POSSIBLE FAULT   | WHAT TO DO   |
|--------------|--|--|
| E01          | The door of your machine is not shut properly.   | Shut the door properly until you hear a click. If your machine persists to indicate fault, turn off your machine, unplug it and contact the nearest authorized service agent immediately   |
| E02          | The water pressure or the water level inside the machine may be low.                         | Check the tap is fully turned on. Main's water may be cut-off. If the problem continues, your machine will stop after a while automatically. Unplug the machine, turn off your tap and contact the nearest authorized service agent. |
| E03          | The pump is faulty or pump filter is clogged or electrical connection of the pump is faulty. | Clean the pump filter. If the problem persists, contact the nearest authorized service agent. (*)  |
| E04          | Your machine has excessive amount of water.  | Your machine will discharge water by itself. Once the water has drained, turn off your machine and unplug it. Turn off the tap and contact the nearest authorized service agent..  |

## **CUSTOMER CARE AND SERVICE**

Always use original spare parts.

When contacting our Authorised Service Centre, ensure that you have the following data available: Model and Serial Number.

The information can be found on the rating plate. Subject to change without notice.

## **TECHNICAL DATA**

The technical information is situated in the rating plate on the internal side of the appliance and on the energy label.

The QR code on the energy label supplied with the appliance provides a web link to the information related to the performance of the appliance in the EU EPREL database.

Keep the energy label for reference together with the user manual and all other documents provided with this appliance.

It is also possible to find the same information in EPREL using the link <https://eprel.ec.europa.eu> and the model name and product number that you find on the rating plate of the appliance.

To access information about your product in the EPREL portal, you can scan the code below:



Thank you for purchasing this product. If you need support with your product, visit our website using the links below.

**Get User manuals:** <https://www.heinner.ro>

**Get Service information:** <https://www.heinner.ro>



**Environment friendly disposal**

You can help protect the environment!

Please remember to respect the local regulations: hand in the non-working electrical equipment's to an appropriate waste disposal center.



**HEINNER** is a registered trademark of **Network One Distribution SRL**. Other brands and product names are trademarks or registered trademarks of their respective holders.

No part of the specifications may be reproduced in any form or by any means or used to make any derivative such as translation, transformation, or adaptation without permission from NETWORK ONE DISTRIBUTION.

Copyright © 2013 Network One Distribution. All rights reserved.

[www.heinner.com](http://www.heinner.com), <http://www.nod.ro>  
<http://www.heinner.com>, <http://www.nod.ro>



This product is in conformity with norms and standards of European Community

Importer: **Network One Distribution**

Marcel Iancu Street, 3-5, Bucharest, Romania

Tel: +40 21 211 18 56, [www.heinner.com](http://www.heinner.com), [www.nod.ro](http://www.nod.ro)

**10** years

The minimum period which must supply the spare parts for the household washing machine is 10 years.

# HEINNER

## MAȘINĂ DE SPĂLAT AUTOMATĂ Model: HWM-VT1710KD++



- Mașină de spălat automată
- Capacitate: 7 kg
- Viteză centrifugare: 1000 rpm
- Clasa energetică: D



Vă mulțumim pentru alegerea acestui produs!

## I. INTRODUCERE

***Înainte de a utiliza acest aparat, citiți cu atenție manualul de instrucțiuni și păstrați-l pentru consultări ulterioare.***

Acest manual este conceput pentru a vă oferi toate instrucțiunile necesare referitoare la instalarea, utilizarea și întreținerea aparatului.

Pentru utilizarea corectă și în siguranță a aparatului, vă rugăm să citiți cu atenție acest manual de instrucțiuni, înainte de instalare și utilizare.

## II. CONȚINUTUL PACHETULUI DUMNEAVOASTRĂ



- Mașină de spălat automată
- Manual de utilizare
- Certificat de garanție

### III. MĂSURI DE SIGURANȚĂ

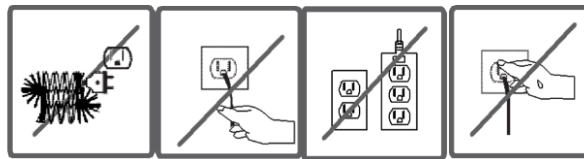
1. Mașina de spălat a fost creată pentru a fi folosită în scop domestic. Utilizarea comercială poate duce la anularea garanției.
2. Nu lăsați animalele de companie în preajma mașinii de spălat.
3. Verificați ambalajul mașinii de spălat înainte de instalare, precum și suprafața exterioară după desfacerea ambalajului. Nu utilizați aparate avariate sau aparate cu ambalajul desfăcut.
4. Mașina de spălat trebuie instalată de către o persoană autorizată. Orice lucrare asupra mașinii de spălat îndeplinită de o persoană neautorizată poate duce la pierderea garanției.
5. Acest aparat nu trebuie folosit de către persoane (inclusiv copii) cu abilități fizice, senzoriale sau mentale reduse, sau fără experiența și cunoștințele necesare, fără să fie supravegheate sau instruite în vederea utilizării aparatului, de către o persoană responsabilă pentru siguranța lor. Copiii trebuie să fie supravegheați, astfel încât să nu se joace cu aparatul.
6. Folosiți mașina de spălat numai pentru rufe despre care este specificat faptul că pot fi spălate la mașină.
7. Înainte de a utiliza mașina de spălat, îndepărtați cele 4 șuruburi de transport și distanțierele din cauciuc din spatele mașinii. Dacă nu îndepărtați șuruburile, pot apărea vibrații puternice, zgomote și defectarea aparatului (anularea garanției).
8. Garanția mașinii de spălat nu acoperă avariile provocate de factori externi (pesticide, foc, etc.).
9. Nu aruncați acest manual de utilizare; îl puteți consulta la nevoie. Dumneavoastră sau altcineva puteți avea nevoie de el în viitor.
10. Notă: Specificațiile aparatului pot varia, în funcție de produsul cumpărat. Temperatura ambientală necesară pentru funcționarea ideală a mașinii este de 15-25°.
11. Furtunile înghețate se pot rupe și pot exploda. În regiunile în care temperatura scade sub zero grade, temperatura ambientală poate afecta funcționarea normală a cardului electronic.
12. Asigurați-vă că hainele pe care le veți introduce în mașină nu conțin substanțe străine (cuie, ace, monede, brichete, chibrituri, agrafe, etc.) în buzunare. Aceste substanțe străine pot avaria mașina.
13. **Vă recomandăm să efectuați prima operațiune de spălare în programul Bumbac 90° și fără rufe, introducând ½ măsură de detergent în al doilea compartiment al sertarului pentru detergent.**
14. Deoarece detergentul sau balsamul expus la aer pentru mult timp poate produce reziduuri, puneți detergentul sau balsamul în sertarul destinat acestora la începutul fiecărei spălări.
15. Vă recomandăm să scoateți din priză mașina și să închideți robinetul de apă dacă nu veți mai folosi mașina o perioadă îndelungată. De asemenea, lăsați deschisă ușa mașinii de spălat, pentru a preveni formarea de mirosuri neplăcute din cauza umidității.
16. Este posibil să fi rămas niște apă în mașina de spălat, după testele și controalele efectuate de serviciul de Control al Calității. Acest lucru nu va dăuna mașinii de spălat.
17. Nu uitați că ambalajele mașinii de spălat pot fi periculoase pentru copii. Păstrați ambalajele într-un loc unde nu pot ajunge copiii sau aruncați-le în locuri adecvate. Mențineți materialele de ambalare în locuri unde copii nu pot ajunge sau eliminați-le corespunzător.
18. Utilizați programele de pre-spălare doar pentru rufe foarte murdare.
19. Nu deschideți niciodată compartimentul pentru detergent în timp ce aparatul funcționează.
20. În cazul unei avarii, scoateți din priză aparatul, apoi închideți robinetul. Nu încercați să îl reparați dumneavoastră, contactați întotdeauna un service autorizat pentru sfaturi.
21. Cantitatea de rufe pe care o introduceți în mașina de spălat nu trebuie să depășească cantitatea maximă indicată.
22. Nu forțați deschiderea ușii atunci când mașina funcționează.
23. Spălarea articolelor de îmbrăcăminte cu făină avariază mașina. Nu spălați haine murdare de făină în mașină.
24. Vă rugăm să urmați instrucțiunile producătorilor cu privire la utilizarea balsamului pentru țesături sau a oricăror produse asemănătoare pe care intenționați să le utilizați în mașina dumneavoastră de spălat.
25. Asigurați-vă că ușa mașinii dumneavoastră de spălat nu este restricționată și că poate fi deschisă complet.

### PERICOL DE ARSURI!

Nu atingeți furtunul de evacuare și apa în timpul evacuării deoarece produsul poate atinge temperaturi ridicate în momentul funcționării.

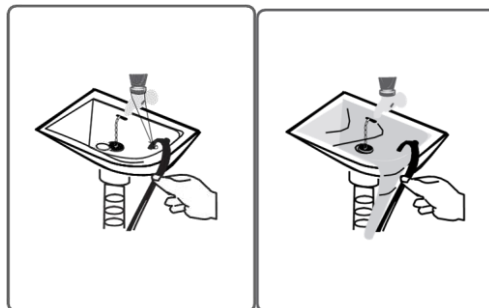
### RISC DE DECES CAUZAT DE CURENTUL ELECTRIC!

1. Nu utilizați prize multiple sau prelungitor
2. Nu puneți în prize de perete avariate
3. Atunci când scoateți din cablu, nu trageți de cablu - apucați întotdeauna de ștecher.
4. Nu introduceți sau trageți din ștecher din priză cu mâinile ude pentru a preveni electrocutarea!
5. Nu atingeți niciodată mașina cu mâinile sau picioarele umede.
6. Sunați la cel mai apropiat service autorizat pentru înlocuire dacă cablul de alimentare este deteriorat.



### RISC DE INUNDARE!

1. Verificați dacă apa curge rapid sau nu înainte de plasarea furtunului de evacuare în chiuvetă.
2. Luați măsurile necesare pentru a preveni alunecarea furtunului.
3. Forța de berbec a furtunului care nu este plasată apropiat poate arunca furtunul. Preveniți opritorul din interiorul chiuvetei să blocheze gura de evacuare a acesteia.



### PERICOL DE INCENDIU!

1. Nu mențineți lichide inflamabile lângă mașina.
2. Conținutul sulfuros al diluanților poate cauza coroziunea. Din acest motiv, nu utilizați materiale de eliminare a vopselei în mașina.
3. Nu utilizați niciodată produse care conțin material solvent (cum ar fi gaz de spălare) în mașină.
4. Scoateți toate obiectele din buzunarele rufelor (ac, agrafă, brichetă, chibrite, etc) în momentul introducerii în mașină.

**Riscul de incendiu și de explozie poate apărea.**

#### **PERICOL DE CADERE SI VATAMARE!**

1. Nu vă urcați pe mașină. Blatul superior al mașinii se poate rupe și vă puteți vătăma.
2. În timpul instalării, rulați furtunul, cablul și ambalajul mașinii. Vă puteți împiedica și cădea.
3. Nu răsuciți mașina, sau pe o parte.
4. Nu ridicați mașina prin menținerea acesteia de componentele extrudate (sertarul de detergent, ușa). Aceste componente se pot rupe și vă pot cauza vătămări.
5. Există un risc de împiedicare și vătămare dacă materiale cum ar fi furtun și cabluri nu sunt depozitate corespunzător după ce mașina este instalată.

**Mașina trebuie să fie transportată de 2 sau mai multe persoane.**

#### **SIGURANTA PENTRU COPII!**

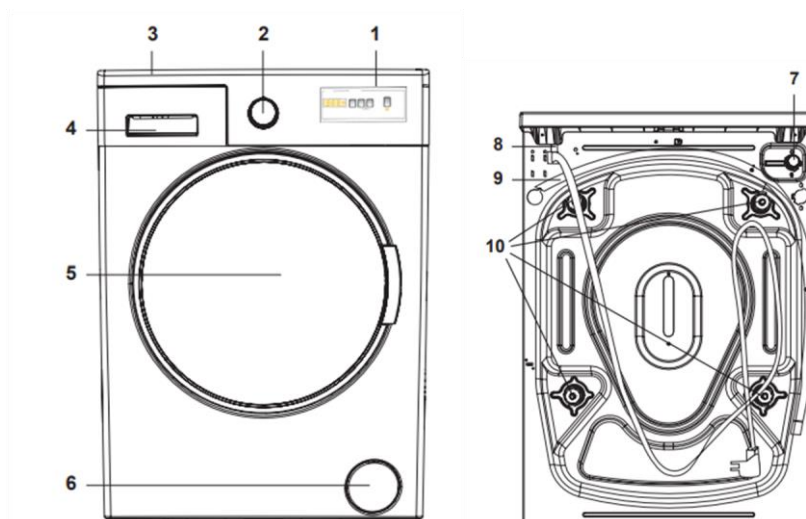
1. Nu lăsați copiii nesupravegheați lângă mașină. Copiii se pot bloca în mașină iar riscul de deces poate survine.
2. Sticla ușii și suprafața pot fi foarte fierbinți atunci când mașina funcționează. În special atingerea mașinii poate dăruia avarii asupra pielii copilului.
3. Mențineți materialele de ambalare departe de copii.
4. Otrăvirea poate apărea dacă detergentul și materialele de întreținere sunt consumate, și ochii sau pielea poate fi iritată dacă vin în contact cu pielea. Mențineți materialele de curățare departe de copii.

#### **INFORMATII PENTRU ECONOMISIRE**

Unele informații importante pentru a vă îmbunătăți eficiența mașinii:

Cantitatea de rufe pe care o introduceți în mașina de spălat nu trebuie să depășească cantitatea maximă indicată. Prin acest lucru, mașina dumneavoastră va funcționa în modul de economisire. Neutilizarea funcției de prespălare pentru rufe cu grad mic și normal de murdărire va economisi electricitate și apă.

#### IV. DESCRIEREA PRODUSULUI

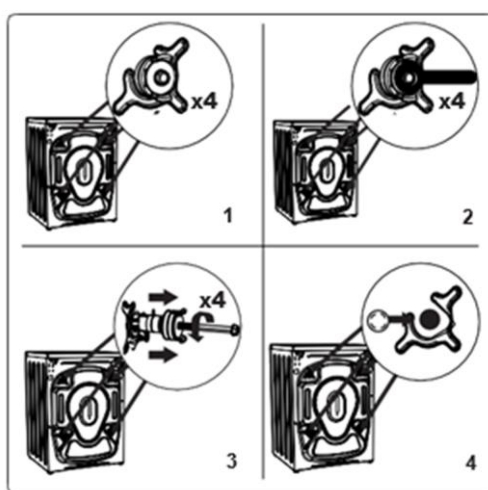


1. Afișaj electronic
2. Buton programe
3. Parte superioară
4. Sertar de detergent
5. Tambur
6. Capac filtru pompă
7. Valvă admisie apă
8. Cablu de alimentare
9. Furtun de evacuare
10. Șuruburi de transport

## V. INSTALARE

### SCOATEREA ȘURUBURILOR DE TRANSPORT

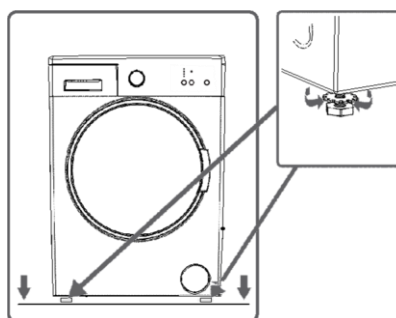
1. Înainte de utilizarea mașinii de spălat, scoateți cele 4 șuruburi de transport și despărțitoarele de cauciuc din spatele mașinii. Dacă șuruburile nu sunt scoase, acestea pot cauza vibrații, zgomot și defecțiunea produsului (garanția fiind anulată).
2. Din acest motiv, șuruburile de transport vor fi slăbite prin rotirea în sensul invers al acelor de ceasornic utilizând o cheie corespunzătoare.
3. Șuruburile de transport vor fi scoase prin tragerea lor.
4. Montați șuruburile de transport din plastic furnizate în pungă de accesorii către locurile unde șuruburile de transport au fost scoase.
5. Șuruburile de transport trebuie să fie depozitate pentru a fi utilizate în caz de transport.



**NOTĂ:** Îndepărtați neapărat șuruburile de transport ale mașinii de spălat, înainte de prima utilizare. Avariile mașinilor ce au funcționat cu șuruburile înăuntru nu fac obiectul garanției.

### AJUSTAREA PICIOARELOR

Nu plasați produsul pe carpetă sau pardoselii care pot preveni ventilarea produsului. Pentru asigurarea unei funcționări silențioase și fără vibrații ale mașinii, această trebuie să fie poziționată pe un teren neaderent și ferm. Puteți regla echilibrul mașinii cu ajutorul picioarelor. Slăbiți piulița de reglare din plastic.

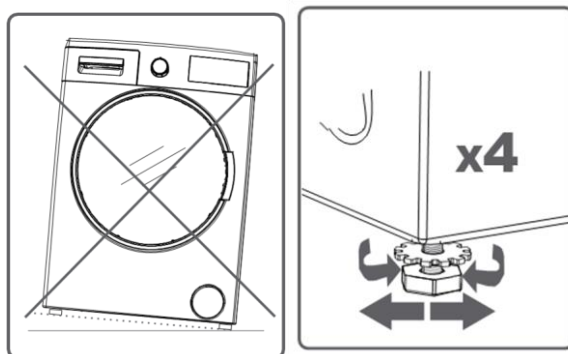


Ajustați poziția picioarelor în sus și jos prin rotirea lor.

După menținerea echilibrului, strângeți din nou piulița din plastic.

Niciodată nu puneți carton, lemn sau materiale asemănătoare sub mașină dacă doriți să stabiliți distorsiunile pardoselii.

Atunci când curățați pardoseala pe care mașina stă, fiți atenți să nu cauzați deteriorări la stabilizarea picioarelor.



### CONEXIUNEA ELECTRICA

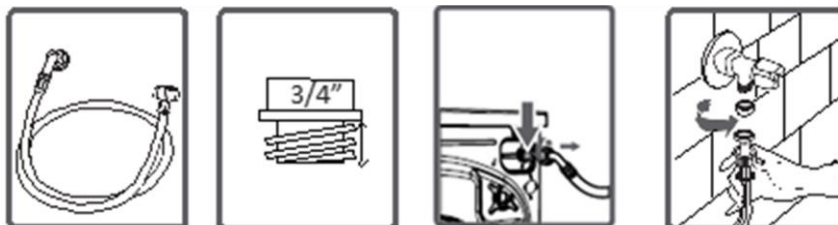
- Mașina de spălat este setată la 220-240V și 50Hz.
- Cablul principal al mașinii de spălat este echipat cu un ștecher împământat specific. Acest ștecher trebuie să fie întotdeauna introdus într-o priză cu împământare de 10 amperi.
- Valoarea curentă a siguranței trebuie să fie de 10 amperi. Valoarea curentă a siguranței pentru cablul de alimentare conectat la acest ștecher trebuie de asemenea de 10 amperi.
- Dacă nu aveți o astfel de priză sau siguranță conformă cu această, vă rugăm să o aveți montată de către un electrician calificat.
- Nu ne asumăm vina în caz de avarii care pot apărea datorită utilizării fără împământare.

**REȚINEȚI:** Funcționarea mașinii sub tensiune scăzută va cauza ciclul de durată a mașinii să fie redus și performanțele mașinii vor fi limitate.

### CONECTAREA FURTUNULUI DE ADMISIE A APEI

- Bazate pe specificațiile sale, mașina poate fi dotată cu o singură admisie de apă (rece) sau o admisie de apă dublă (caldă/rece). Furtunul cu capac alb trebuie să fie conectat la admisia de apă rece și furtunul cu capac roșu trebuie să fie conectat la admisia de apă caldă (aplicabile pentru mașinile cu admisie dublă de apă).
- Pentru eliminarea scurgerilor de apă de la punctele de contact, piulițele 1 sau 2 sunt furnizate în ambalajul furtunului (aplicabile pentru mașinile cu admisie dublă de apă). Montați aceste piulițe pe capetele noilor furtunuri de admisie a apei pe partea robinetului.
- Montați noile furtunuri de admisie pe un robinet cu filet de  $\frac{3}{4}$ .
- Conectați cotul alb al capătului furtunurilor de admisie a apei la valva albă de admisie a apei în partea din spate a mașinii și cotul roșu al capătului furtunului roșu (aplicabil pentru mașinile cu admisie dublă de apă). Strângeți manual componentele din plastic la îmbinări. În condiții nesigure, verificați lucrările de conectare efectuate cu ajutorul unui instalator calificat.
- Debitul apei cu o presiune de 0,1-1 Mpa va permite mașinii să funcționeze mai eficient.) (Presiune de 0,1 Mpa înseamnă că mai mult de 8 litri de apă vor curge printr-un robinet deschis într-o perioadă de un minut.)

- Asigurați-vă că punctele de contact nu picură prin oprirea robinetului complet după efectuarea conexiunilor.
- Asigurați-vă că noile furtunuri de admisie sunt cotate, stricate, deformate și redimensionate.
- Dacă mașina este dotată cu admisie caldă de apă, temperatura apei calde trebuie să fie de maxim 70°C.

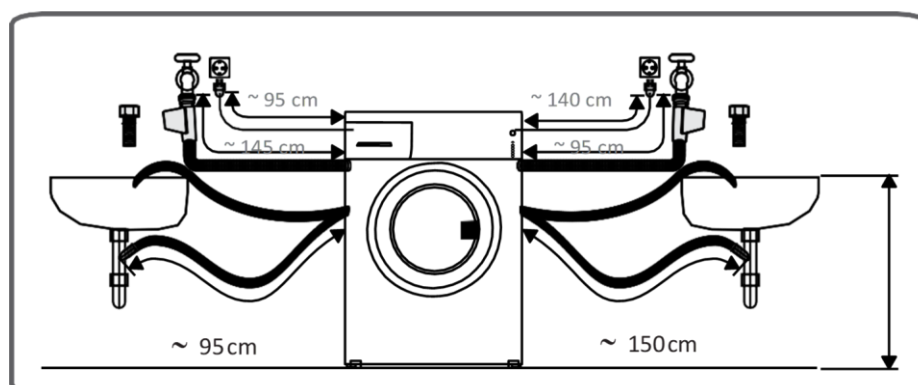
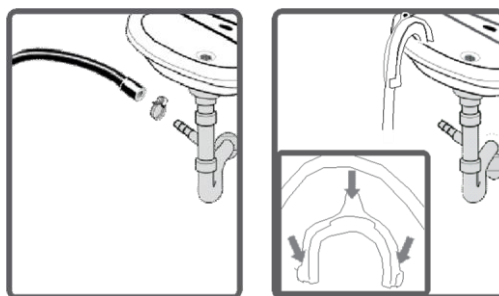


**Notă:** Utilizați doar furtunul nou de alimentare cu apă ce este livrat odată cu mașina în timp ce faceți conexiunile de admisie ale mașinii.

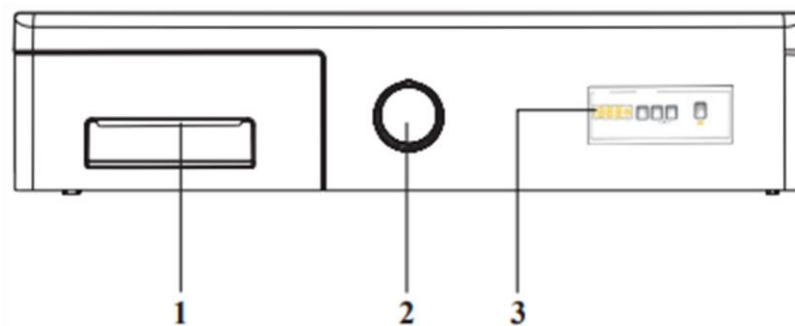
**Nu utilizați niciodată furtunuri de admisie a apei vechi, utilizate sau deteriorate.**

#### EVACUARE APEI

- Capătul furtunului de evacuare a apei poate fi montat pe un aparat direct atașat la furtunul de evacuare a apei sau îmbinarea exterioară a cotului bazinului.
- Nu încercați să extindeți furtunul de evacuare a apei prin înădădire.
- Nu introduceți furtunul de evacuare într-un recipient, găleată sau chiuvetă.
- Asigurați-vă că furtunul de evacuare nu este cotit, îndoit, apăsat sau extins. Vă rugăm să rețineți: furtunul de evacuare trebuie să fie montat la o înălțime de maxim 100 cm de la podea.



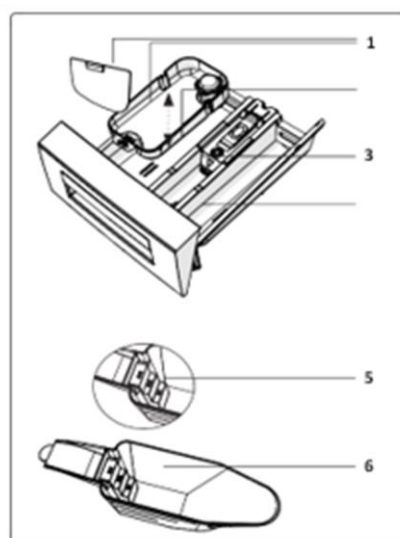
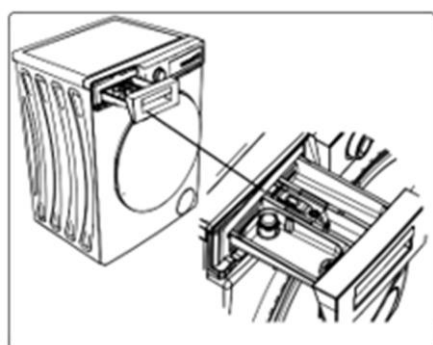




1. Sertar de detergent
2. Buton programe
3. Afișaj electronic

### Sertarul pentru detergent

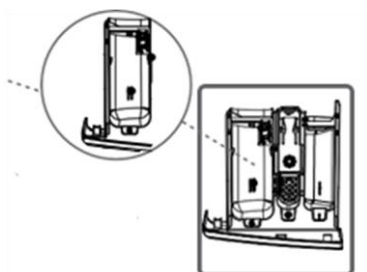
Atunci când doriți să spălați rufe cu detergent lichid, puteți utiliza cupa de determinare a nivelului de lichid. Puteți utiliza detergenți lichid în toate programele fără prespălare. Plasați aparatura detergentului lichid în al doi-lea compartiment (ce este disponibil în interiorul mașinii) în sertarul de detergent și setați cantitatea de detergent (utilizați cantitatea de detergent lichid recomandată de către producătorii de detergent). Nu depășiți nivelul MAX, utilizați doar detergent lichid, nu utilizați această aparatură pentru detergentul pudră și îndepărtați-l).



1. Accesorii pentru detergent lichid
2. Compartiment de detergent spălare principală
3. Compartiment de balsam
4. Compartiment detergent pentru prespălare
5. Niveluri de detergent pudră
6. Cupă pentru detergent pudră

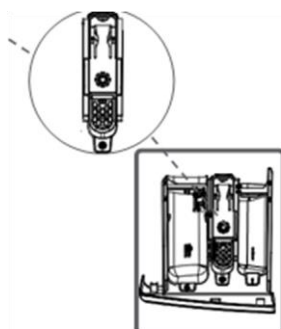
### Compartiment detergent pentru spălare principală:

Acest compartiment este pentru detergenți lichizi sau pudră sau pentru agentul de îndepărtare a calcarului. Cupă pentru detergent pudră va fi livrată în interiorul mașinii.



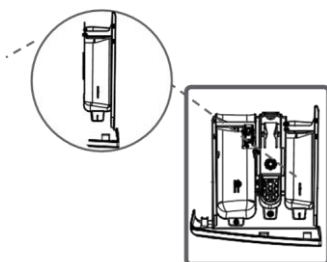
### Compartiment balsam, amidon:

Acest compartiment este destinat pentru dedurizatoare, balsamuri sau amidon. Urmați instrucțiunile de pe ambalaj. Dacă balsamurile lasă reziduuri după utilizare, încercați să le diluați sau să utilizați un balsam lichid.



### Compartiment detergent pentru prespălare:

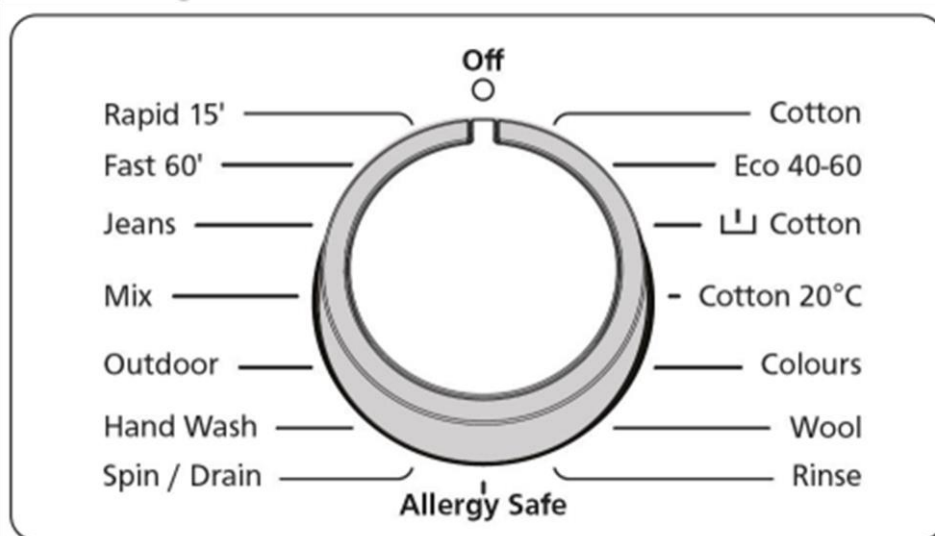
Acest compartiment trebuie să fie utilizat numai atunci când este selectată caracteristica de prespălare. Vă recomandăm ca funcția de pre-spălare să fie utilizată numai pentru rufe foarte murdare.



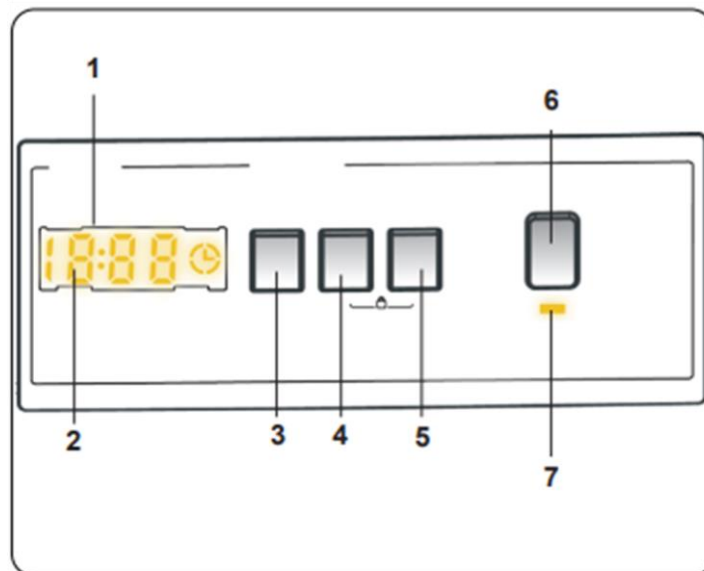
## VI. PANOUL DE CONTROL

Puteți selecta programul pe care doriți să-l utilizați pentru a vă spăla lenjeria cu ajutorul butonului de program.

Puteți seta funcționarea selectării programului prin rotirea în ambele părți a butonului de program. Asigurați-vă că butonul de program se află exact pe programul pe care-l doriți să-l selectați.



## VII. AFISAJUL ELECTRONIC



1. Afișaj electronic
2. Afișaj digital
3. Buton de reglare temperatură apă
4. Buton de reglare viteză turație
5. Funcție suplimentară de pornire întârziată
6. Buton Pornire/Pauză
7. Lampă buton Pornire/Pauză

Panoul afișajului indică cronometrul de întârziere de spălare (dacă este setat), selectarea temperaturii, viteza de centrifugare, orice funcții auxiliare selectate. Panoul afișajului indică „Sfârșit” atunci când programul selectat este complet. Panoul de afișare indică, de asemenea, dacă s-a produs vreo defecțiune la mașina dumneavoastră.

## VIII. UTILIZAREA MASINII

## SEPARAREA RUFELOR

- Hainele au etichete care conțin specificațiile lor. Spălați și uscați hainele în funcție de specificațiile de pe etichetă.
- Separați rufele în funcție de tipul lor (bumbac, sintetic, sensibil, lână, etc.), de temperatură (rece, 30°, 40°, 60°, 90°) și de nivelul de murdărire (puțin murdare, murdare, foarte murdare).
- Nu spălați niciodată rufele albe și cele colorate împreună.
- Spălați rufele colorate separat la prima spălare, deoarece pot ieși culorile din acestea.
- Asigurați-vă că nu există obiecte metalice pe haine sau în buzunarele acestora; dacă există, îndepărtați-le.



**AVERTISMENT: AVERTISMENT: Erorile care survin din cauza intrării substanțelor străine în mașina de spălat nu fac obiectul garanției.**

- Trageți fermoarul și încheiați nasturii hainelor.
- Scoateți inelele de prindere din metal sau din plastic ale perdelelor din tul sau draperiilor sau plasați-le într-o pungă de spălare și apoi strângeți-le.
- Inversați materialele textile cum ar fi pantalonii, tricotajele, tricourile și puloverele.
- Spălați șosetele, batistele sau rufe mici în plasa de spălare.

## INTRODUCEREA RUFELOR ÎN MAȘINĂ
















- Deschideți ușa mașinii.
- Distribuți rufele în mașină.

**Notă: Capacitatea maximă de încărcare poate varia fiind bazată pe tipul rufelor pe care le veți spăla, gradul de contaminare și programul pe care l-ați ales. Nu depășiți capacitatea maximă de încărcare indicată în tabelul pentru programele de spălare.**

Puteți utiliza următorul tabel de greutate ca exemplu:

| Tip de rufe         | Greutate (gr) |
|---------------------|---------------|
| Prosop              | 200           |
| In                  | 500           |
| Halat de baie       | 1200          |
| Cuvertura matlasata | 700           |
| Fata de perna       | 200           |
| Lenjerie intima     | 100           |
| Fata de masa        | 250           |

- Introduceți fiecare articol separat.
- Asigurați-vă rufele nu se lipesc între protecție și garnitura inferioară în momentul când închideți ușa.
- Împingeți ușa mașinii până când auziți un zgomot de blocare pentru a o închide.
- Închideți corespunzător ușa mașinii, în caz contrar mașina nu va porni operațiunea de spălare.

|   |   |   |
|---|---|---|
| <br>Se poate folosi înălbitor  | <br>A nu se folosi înălbitor             | <br>Spălare normală                         |
| <br>Temperatura maximă de călcare 150 °C                             | <br>Temperatura maximă de călcare 200 °C | <br>A nu se călca                           |
| <br>Se poate curăța chimic   | <br>Fără curățare chimică                | <br>A se usca pe suprafețe plane           |
| <br>Nu necesită călcare dacă este întins după spălare              | <br>A se întinde pentru uscare         | <br>A nu se centrifuga                    |
| <br>Este permisă curățarea chimică în motorină, alcool pur și R113 | <br>Percloroetilenă R11, R13, țigeti   | <br>Perclorinetilenă R11, R113, gazolină |

## ADĂUGAREA DETERGENTULUI ÎN MAȘINĂ

Cantitatea de detergent pe care o introduceți în mașină va depinde de următoarele criterii:

- Utilizarea detergentului va fi bazată pe gradul de murdărire a rufelor. Nu prespălați rufele cu grad mic de murdărire și introduceți o cantitate mică de detergent în cel de-al doilea compartiment al sertarului de detergent.
- Pentru rufele murdare, selectați un program incluzând prespălarea, și introduceți ¼ din detergent pe care o veți introduce în sertarul pentru detergent în primul compartiment în timp ce introduceți cantitatea rămasă în al doilea compartiment.
- Utilizați detergenți produși pentru mașini automate de spălat în mașina. Cantitatea de detergent pe care o folosiți pentru rufele dvs este menționată pe ambalajul detergentului.
- Cu cât gradul de duritate a apei este mai mare, o cantitate de detergent se va folosi.
- Cantitatea de detergent pe care o veți folosi va crește dacă cantitatea de rufe crește.

- Introduceți balsam în compartimentul de balsam aflat în sertarul de detergent. Nu treceți de nivelul MAX. În caz contrar, balsamul va curge în apa de spălare prin intermediul curgerii.
- Balsamurile cu densitate ridicată sunt necesare pentru a fi diluate la un grad înainte de a fi introduse în sertar. Deoarece balsamurile cu densitate ridicată vor înfunda debitul și evita mișcarea acestuia.
- Puteți utiliza detergenți lichid în toate programele fără prespălare. Pentru acest lucru, introduceți placa de nivel a detergentului lichid din trusa de accesorii sau aparatul detergentului lichid în al doilea compartiment al sertarului de detergent și setați cantitatea de detergent lichid conform cu nivelele de pe această placă. Rețineți să scoateți placa detergentului lichid.

## UTILIZAREA MAȘINII

1. Conectați mașina la rețeaua de alimentare.
2. Deschideți robinetul de apă.
3. Deschideți ușa mașinii.
4. Distribuți rufe în mașină.
5. Împingeți ușa mașinii până când auziți un zgomot de blocare pentru a o închide



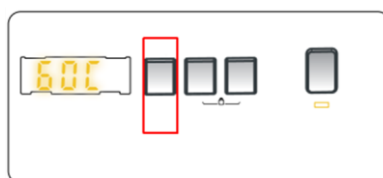
## SISTEM DE DETECTARE ÎNCĂRCARE PE JUMĂTATE

Mașina este prevăzută cu un sistem de detectare a încărcării pe jumătate.

În cazul în care există jumătate sau mai puțin de jumătate din cantitatea de rufe, mașina va economisi apa de spălare, consumul de apă și energie în unele programe. În momentul când funcția încărcare pe jumătate este activă, mașina poate finaliza programul pe care l-ați ales într-un timp mai scurt.

### 1. SELECTAREA TEMPERATURII

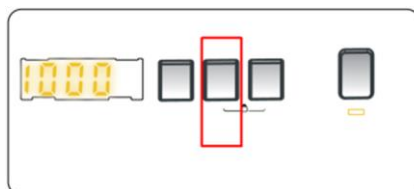
Puteți selecta temperatura apei de spălare prin butonul de reglare a temperaturii apei. Atunci când selectați un nou program, temperatura maximă a apei de spălare este arătată pe afișajul temperaturii apei de spălare.



Puteți descrește treptat temperatura apei, între temperatura maximă și spălare cu apă rece (--), apăsând butonul de reglare a temperaturii apei de spălare. Dacă ați trecut de temperatura pe care o doreați, vă puteți întoarce la temperatura căutată, apăsând continuu pe butonul de reglare a temperaturii apei de spălare.

## 2. SELECTAREA VITEZEI DE CENTRIFUGARE

Puteți ajusta viteza de centrifugare cu ajutorul butonului pentru setarea vitezei de centrifugare. Atunci când selectați un program nou, viteza maximă de centrifugare a programului selectat va fi afișată pe panou. Cu ajutorul butonului pentru selectarea vitezei, puteți modifica viteza de centrifugare. Dacă ați trecut peste viteza de centrifugare pe care doriți să o setați, puteți relua setarea vitezei prin menținerea apăsată a butonului.




## 3. FUNCTIE START INTARZIAT



Puteți utiliza această funcție auxiliară pentru a întârzia ora de pornire a ciclului de spălare cu 1 până la 23 de ore.

Pentru a utiliza funcția de întârziere: Apăsați o dată tasta de întârziere. Mesajul „01h” va fi afișat pe afișajul electronic. Apăsați tasta de întârziere până când ajungeți la ora la care doriți ca mașina să înceapă ciclul de spălare.

Dacă ați omis ora de întârziere pe care ați dori să o setați, puteți continua să apăsați tasta de întârziere până când ajungeți din nou la acea oră. Pentru a utiliza funcția de întârziere a orei, trebuie să apăsați tasta Start/ Pauză pentru a porni mașina.

Dacă doriți să anulați întârzierea: Dacă ați apăsat tasta Start/Pauză pentru a porni mașina, trebuie doar să apăsați o dată tasta de întârziere. se va stinge pe afișajul electronic. Dacă nu ați apăsat tasta Start/ Pauză, apăsați continuu tasta de întârziere până când  se stinge de pe afișajul electronic.

## 4. BUTON START / PAUZA

Prin apăsarea butonului Pornire/Pauză, puteți porni programul pe care l-ați selectat sau suspenda programul care funcționează. Dacă comutați mașina în modul standby, ledul Start/Standby de pe afișajul electronic va clii.





## 5.SISTEM DE BLOCARE PENTRU COPII

Blocarea pentru copii este disponibila pentru a nu afecta programul atunci cand butoanele sunt apășate sau butonul programului este pornit în momentul efectuării operațiunii de spălare. **Blocarea pentru copii va fi activată în cazul apășării pe ambele funcții auxiliare 2 și 3 în același timp pentru mai mult de 3 secunde. În momentul activării, puteți vedea led-urile funcțiilor auxiliare pe afișaj.**



Dacă apășați orice buton în momentul când blocarea pentru copii este activă, led-urile funcției suplimentare vor clipi pe afișaj.

În timp ce funcția de blocare pentru copii este activă și programul funcționează, butonul de program se află în poziția OFF și un alt program este selectat, programul selectat anterior își va rezuma funcția de unde s-a oprit.

Pentru a-l dezactiva, este suficient să apășați pe aceleași butoane timp de 3 secunde. Atunci când blocarea pentru copii este dezactivată, led-urile funcțiilor suplimentare vor clipi pe afișaj.

## ANULAREA PROGRAMULUI

**Dacă doriți să anulați orice program în timpul funcționării:**

- Comutați butonul programului în poziția "OFF.
- Mașina dumneavoastră va opri operația de spălare și programul se va anula.
- Pentru a evacua apa acumulată în mașină, comutați butonul programului la orice alt program.
- Mașina va efectua operațiunile de evacuare necesare și anula programul.
- Dumneavoastră puteți rula mașina prin selectarea a unui nou program.

## FINALIZAREA PROGRAMULUI

Mașina se va opri atât timp cât programul pe care l-ați selectat se finalizează. Led-ul de finalizare va clipi pe panoul de afișaj.




- Puteți deschide ușa mașinii și scoate rufele.
- Lăsați ușa mașinii deschisă pentru a permite componentelor interne ale mașinii să se usuce după scoaterea rufelor.
- Comutați butonul programului în poziția OFF.
- Decuplați mașina.
- Opriți robinetul de apă.

## IX. TABEL CU PROGRAME

|                                  |  |
|----------------------------------|--|
| <b>COTTON</b>                    |  |
| Temperatura de spalare           | 40°, 60°, 70°, 80°, 90°  |
| Capacitate maxima de rufe uscate | 7,0  |
| Compartiment pentru detergent    | 2  |
| Durata program (Min)             | 230  |
| Tip de rufe / Descriere          | Textile foarte murdare din bumbac și din pânză de in. (Lenjerie intimă, lenjerie de pat, față de masă, prosop (maximum 3,5 kg), pijamale etc |
| <b>ECO 40-60</b>                 |  |
| Temperatura de spalare           | *40° - 60°   |
| Capacitate maxima de rufe uscate | 7,0  |
| Compartiment pentru detergent    | 2  |
| Durata program (Min)             | 208  |
| Tip de rufe / Descriere          | Textile murdare din bumbac și din pânză de in. (Lenjerie intimă, lenjerie de pat, față de masă, prosop (maximum 3,5 kg), pijamale etc        |
| <b>COTTON</b>                    |  |
| Temperatura de spalare           | --, 30°, 40°, 50°, 60°   |
| Capacitate maxima de rufe uscate | 7,0  |
| Compartiment pentru detergent    | 1&2  |
| Durata program (Min)             | 164  |
| Tip de rufe / Descriere          | Textile murdare din bumbac și din pânză de in. (Lenjerie intimă, lenjerie de pat, față de masă, prosop (maximum 3,5 kg), pijamale etc        |
| <b>COTTON 20°</b>                |  |
| Temperatura de spalare           | --, 20°  |
| Capacitate maxima de rufe uscate | 3,5  |
| Compartiment pentru detergent    | 2  |
| Durata program (Min)             | 96   |
| Tip de rufe / Descriere          | Textile mai puțin murdare din bumbac și din pânză de in. (Lenjerie intimă, lenjerie de pat, față de masă, prosop (max. 2,0 kg), pijamale etc |
| <b>COLOURS</b>                   |  |
| Temperatura de spalare           | --, 30°, 40°   |
| Capacitate maxima de rufe uscate | 7,0  |
| Compartiment pentru detergent    | 2  |
| Durata program (Min)             | 225  |
| Tip de rufe / Descriere          | Textile mai puțin murdare din bumbac și din pânză de in. (Lenjerie intimă, lenjerie de pat, față de masă, prosop (max. 3,5 kg), pijamale etc |
| <b>WOOL</b>                      |  |
| Temperatura de spalare           | --, 30°  |
| Capacitate maxima de rufe uscate | 2,5  |
| Compartiment pentru detergent    | 2  |
| Durata program (Min)             | 39   |
| Tip de rufe / Descriere          | Rufe din lână cu etichete de spălare la mașină.  |
| <b>RINSE</b>                     |  |
| Temperatura de spalare           | -  |
| Capacitate maxima de rufe uscate | 7,0  |
| Compartiment pentru detergent    | -  |
| Durata program (Min)             | 30   |
| Tip de rufe / Descriere          | După finalizarea operațiunii de clătire, dacă doriți să clătiți suplimentar rufe, puteți utiliza acest program pentru orice fel de rufă.     |

|                                  |  |
|----------------------------------|--|
| <b>ALLERGY SAFE</b>              |  |
| Temperatura de spalare           | --, 30°, 40°, 50°, 60°   |
| Capacitate maxima de rufe uscate | 3,5  |
| Compartiment pentru detergent    | 2  |
| Durata program (Min)             | 197  |
| Tip de rufe / Descriere          | Haine de copii   |
| <b>SPIN/DRAIN</b>                |  |
| Temperatura de spalare           | -  |
| Capacitate maxima de rufe uscate | 7,0  |
| Compartiment pentru detergent    | -  |
| Durata program (Min)             | 15   |
| Tip de rufe / Descriere          | Puteți utiliza acest program pentru orice tip de rufe, dacă doriți o etapă suplimentară de centrifugare după ciclul de spălare./Puteți utiliza programul de uscare pentru a usca apa acumulată în interiorul mașinii (adăugând sau îndepărtând rufe). Pentru a activa programul de uscare, rotiți butonul de programe către programul de centrifugare/uscare. După ce selectați „centrifugare anulată” cu ajutorul tastei funcționale auxiliare, programul va începe să funcționeze. |
| <b>HAND WASH</b>                 |  |
| Temperatura de spalare           | --, 30°  |
| Capacitate maxima de rufe uscate | 2,5  |
| Compartiment pentru detergent    | 2  |
| Durata program (Min)             | 90   |
| Tip de rufe / Descriere          | Rufe recomandate pentru spălare manuală și rufe sensibile.   |
| <b>OUTDOOR</b>                   |  |
| Temperatura de spalare           | --, 30°, 40°   |
| Capacitate maxima de rufe uscate | 3,5  |
| Compartiment pentru detergent    | 2  |
| Durata program (Min)             | 110  |
| Tip de rufe / Descriere          | Textile foarte murdare sau textile din amestecuri sintetice. (șosete din nailon, cămăși, bluze, pantaloni care includ materiale sintetice etc).  |
| <b>MIX</b>                       |  |
| Temperatura de spalare           | --, 30°, 40°   |
| Capacitate maxima de rufe uscate | 3,5  |
| Compartiment pentru detergent    | 2  |
| Durata program (Min)             | 105  |
| Tip de rufe / Descriere          | Textile murdare din bumbac, sintetice, colorate și care pot fi spălate împreună  |
| <b>JEANS/ DARK GARMENTS</b>      |  |
| Temperatura de spalare           | --, 30°  |
| Capacitate maxima de rufe uscate | 3,5  |
| Compartiment pentru detergent    | 2  |
| Durata program (Min)             | 96   |
| Tip de rufe / Descriere          | Articole negre și cu culori închise din bumbac, fibre mixte sau blugi. Spălați-le întoarse pe dos. Blugii conțin adesea colorant în exces, iar acesta poate ieși în timpul primelor câtorva spălări. Spălați separat obiectele de culoare deschisă și închisă.   |

|                                  |  |
|----------------------------------|--|
| <b>FAST 60 min (*)</b>           |  |
| Temperatura de spalare           | --, 30°, 40°, 50°, 60°   |
| Capacitate maxima de rufe uscate | 3,0  |
| Compartiment pentru detergent    | 2  |
| Durata program (Min)             | 60   |
| Tip de rufe / Descriere          | Textile murdare, din bumbac, colorate și lenjerii de pat spălate la 60 °C în 60 de minute.                                 |
| <b>RAPID 15 min (**)</b>         |  |
| Temperatura de spalare           | --, 30°  |
| Capacitate maxima de rufe uscate | 2,0  |
| Compartiment pentru detergent    | 2  |
| Durata program (Min)             | 15   |
| Tip de rufe / Descriere          | Într-un timp scurt de 15 minute, puteți spăla articole cu grad redus de murdărie, din bumbac, colorate și lenjerii de pat. |

 **REȚINEȚI:** DURATA PROGRAMULUI SE POATE MODIFICA ÎN FUNCȚIE DE CANTITATEA DE RUFEE, DE APA DE LA ROBINET, DE TEMPERATURA AMBIENTALĂ ȘI DE FUNCȚIILE SUPLIMENTARE SELECTATE.

(\*) Dacă mașina include funcția auxiliară de spălare rapidă și introduceți 2kg de rufe sau mai puțin în mașină, aceasta va spăla automat rufele timp de 30 de minute.

(\*\*) Datorită timpului redus de spălare al acestui program, vă recomandăm să utilizați mai puțin detergent. Programul poate dura mai mult de 15 minute dacă mașina dumneavoastră detectează o încărcare neuniformă. Puteți deschide ușa mașinii la 2 minute după finalizarea unei operațiuni de spălare. (Perioada de 2 minute nu este inclusă în durata programului).

Programul Eco 40-60 poate curăța rufele de bumbac cu grad normal de murdărire, declarate ca fiind destinate spălării la 40°C sau 60°C, împreună în același ciclu, iar acest program este folosit pentru a evalua conformitatea cu legislația UE privind proiectarea ecologică.

- Cele mai eficiente programe în privința consumului de energie sunt, în general, cele care rulează la temperaturi mai scăzute și durate mai mari.
- Încărcarea mașinii de spălat de uz casnic până la capacitatea indicată de producător pentru programele respective va contribui la economii de energie și apă.
- Durata programului, consumul de energie și consumul de apă pot varia în funcție de greutatea și tipul încărcăturii de rufe, de funcțiile suplimentare selectate, de temperatura apei de la robinet și cea ambientală.
- Se recomandă utilizarea detergentului lichid pentru programe de spălare la temperaturi scăzute. Cantitatea de detergent care trebuie utilizată poate varia în funcție de cantitatea de rufe și de gradul de murdărire al rufelor. Respectați recomandările producătorului de detergent privind cantitatea de detergent care trebuie utilizată.
- Zgomotul și conținutul de umiditate reziduală sunt influențate de viteza de centrifugare. Cu cât este mai mare viteza în faza de centrifugare, cu atât este mai puternic zgomotul și cu atât este mai redus conținutul de umiditate reziduală.
- Puteți accesa baza de date de produse, unde sunt stocate informațiile referitoare la model, citind codul QR de pe eticheta de energie

| Numele programului                         | Capacitate nominală kg | Consum de energie (kWh/ciclu) |                 |                 | Durata programului<br>Ore : Minute |                 |                 | Consum de apă litri/ciclu |                 |                 | Temperatura max. °C |                 |                 | Conținutul de umiditate reziduală %<br>1000 rpm |                 |                 |
|--|------------------------|-------------------------------|-----------------|-----------------|------------------------------------|-----------------|-----------------|---------------------------|-----------------|-----------------|---------------------|-----------------|-----------------|---|-----------------|-----------------|
|  |                        | Capacitate nominală           | 1/2 încărcătură | 1/4 încărcătură | Capacitate nominală                | 1/2 încărcătură | 1/4 încărcătură | Capacitate nominală       | 1/2 încărcătură | 1/4 încărcătură | Capacitate nominală | 1/2 încărcătură | 1/4 încărcătură | Capacitate nominală                             | 1/2 încărcătură | 1/4 încărcătură |
| Bumbac 90                                  | 7                      | 2,22                          |                 |                 | 03:00                              |                 |                 | 76                        |                 |                 | 81                  |                 |                 | 62%   |                 |                 |
| Bumbac 60                                  | 7                      | 1,19                          |                 |                 | 03:50                              |                 |                 | 52                        |                 |                 | 43                  |                 |                 | 62%   |                 |                 |
| Eco 40-60                                  | 7                      | 1,16                          | 0,40            | 0,30            | 03:28                              | 02:40           | 02:40           | 38                        | 30              | 25              | 50                  | 27              | 23              | 62%   | 62%             | 62%             |
| Sintetice /<br>Îmbrăcăminte<br>de exterior | 3,5                    | 0,49                          |                 |                 | 01:50                              |                 |                 | 44                        |                 |                 | 42                  |                 |                 | 71%   |                 |                 |
| Rapid 60                                   | 3                      | 0,99                          |                 |                 | 01:00                              |                 |                 | 31                        |                 |                 | 58                  |                 |                 | 62%   |                 |                 |
| Bumbac 20                                  | 3,5                    | 0,2                           |                 |                 | 01:36                              |                 |                 | 43                        |                 |                 | 20                  |                 |                 | 62%   |                 |                 |

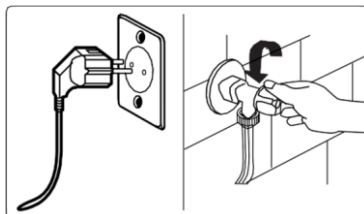
## X. ÎNTREȚINEREA ȘI CURĂȚAREA MASINII

### AVERTISMENT!

Înainte de începerea operațiunilor de întreținere și curățare a mașinii, decuplați-o.

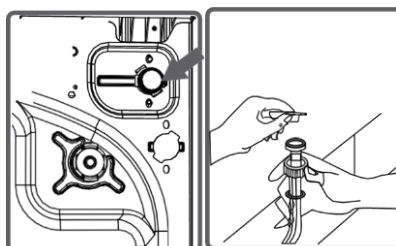
Înainte de începerea operațiunilor de întreținere și curățare, închideți robinetul.

**AVERTISMENT: Componentele mașinii pot fi avariate dacă substanțe de curățat cu agenți solvenți sunt utilizați. Nu utilizați materiale de curățare cu agenți solvenți.**



### FILTRELE DE ADMISIE A APEI

Filtrele pentru evitarea murdărilor și substanțelor străine din apă de la penetrarea în mașină sunt disponibile ambele pe partea robinetului și la capetele valvelor de apă împreună cu furtunul de admisie a apei. Dacă mașina nu poate lua o cantitate suficientă de apă în ciuda deschiderii complete a robinetului, acești filtre trebuie să fie curățați. (Este recomandat să curățați filtrul pompei o dată la fiecare 2 luni.)



- Deșurubați furtunul (furtunurile) de alimentare cu apă de la mașina de spălat.
- Pentru a scoate filtrul de admisie a apei de la valva de admisie a apei, folosiți un clește cu elemente lungi de apucare, pentru a trage ușor bara de plastic din filtru.
- Un al doilea filtru de admisie a apei este situat în capătul filetat al furtunului de admisie a apei. Pentru a îndepărta cel de-al doilea filtru de admisie a apei, folosiți un clește cu elemente lungi de apucare, pentru a trage ușor bara de plastic din filtru.
- Curățați foarte bine filtrul cu o perie moale și spălați cu apă cu săpun și clătiți foarte bine. Introduceți din nou filtrul, împingându-l ușor pe poziție.

### AVERTISMENT:

Filtrele valvelor de admisie a apei pot fi înfundate datorită contaminării robinetului de apă sau lipsa întreținerii necesare sau valvele pot fi stricate, cauzând scurgerea apei în mașină în mod continuu. Aceste defecțiuni pot apărea datorită acestor motive sunt în afara garanției.

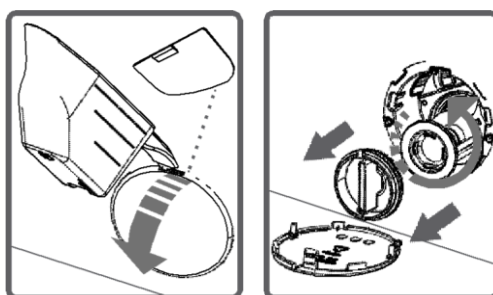
### FILTRUL POMPEI

Este disponibil un sistem de filtrare ce evită scamele ce rămân de pe rufe și materiale mici din intrarea în pompă în timpul operațiunii de evacuare efectuată de către mașină după finalizarea spălării pentru a prelungi ciclul de viață al pompei. Este recomandat să curățați filtrul pompei o dată la fiecare 2 luni.

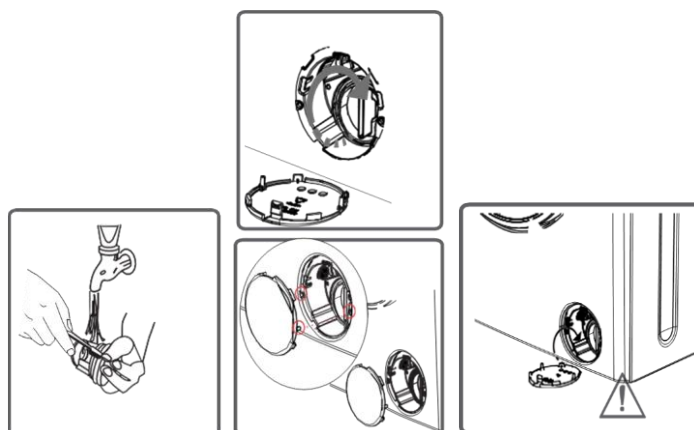
Pentru curățarea filtrului pompei:

- Pentru a deschide protecția pompei, puteți utiliza lingurița detergentului pudră sau discul detergentului lichid ce iese din mașină.
- Montați punctul de final al componentei de plastic în fanta protecției pompei și împingeți-o înapoi. Acest lucru va deschide protecția.
- Înainte de deschiderea protecției filtrului, puneți un vas în partea frontală a protecției filtrului pentru preveni ieșirea apei rămase din mașină.
- Slăbiți protecția filtrului în sensul invers al acelor de ceasornic și apoi goliți apa.

Rețineți: Va trebui să goliți vasul de colectare a apei de mai multe ori datorită cantității de apă din mașină.



- Curățați materialele străine din filtru cu ajutorul unei perii.
- După curățarea filtrului, montați protecția acestuia și strângeți prin rotirea acesteia în direcția acelor de ceasornic.
- În timp ce închideți protecția pompei, asigurați-vă că toate componentele părților interioare se potrivesc cu găurile din panoul frontal.
- Puteți reatașa protecția pompei într-o ordine inversă față de cum ați scos-o.



**Deoarece apa din pompă poate fi fierbinte, așteptați până ce se răcește**

#### **SERTAR DE DETERGENT**

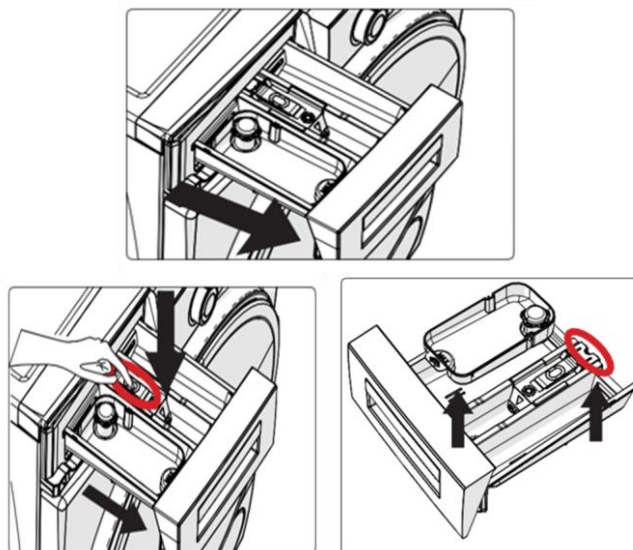
În timp detergenții pot depozita reziduuri în sertarul pentru detergent și carcasa sertarului de detergent.

Pentru a curăța reziduu format, dezamblați sertarul pentru detergent în perioade corespunzătoare. Este recomandat să curățați filtrul pompei o dată la fiecare 2 luni.



Pentru scoaterea sertarului de detergent:

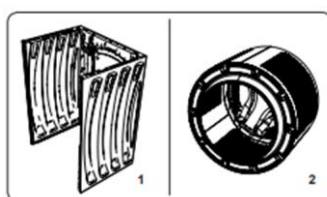
- Trageți de sertarul de detergent până la capăt.
- Apăsăți regiunea prezentată mai jos din interiorul sertarului de detergent pe care l-ați tras complet înapoi și continuați să trageți și să scoateți sertarul de detergent de la locul său



- Curățați-l cu ajutorul unei perii.
  - Colectați reziduurile în carcasa sertarului pentru detergent fără a le scăpa în mașină.
  - Ansamblați sertarul după uscarea acestuia cu un prosop sau material textil uscat.
- Nu spălați sertarul pentru detergent în mașina de spălat vase.

#### COMPARTIMENTUL DETERGENTULUI LICHID

Demontați în scopul curățării și întreținerii aparatului detergentului lichid după cum este prezentat în figura și curățați bine reziduurile de detergent. Puneți aparatul înapoi. Asigurați-vă că nu sunt reziduuri în interior.



##### 1. Carcasă

Folosiți un agent de curățare delicat, neabraziv sau săpun și apă, pentru a curăța carcasa exterioară. Uscați prin ștergere cu o lavetă moale.

##### 2. Tambur

Nu lăsați în mașină obiecte metalice, cum ar fi ace, agrafe de hârtie, monezi etc. Aceste obiecte conduc la formarea de pete de rugină pe tambur. Pentru curățarea unor astfel de pete de rugină, utilizați un agent de curățare fără clor și urmați instrucțiunile producătorului agentului de curățare. Nu utilizați niciodată burete de sârmă sau obiecte dure asemănătoare pentru curățarea petelor de rugină.

## XI. PROBLEME DE FUNCTIONARE

Toate operațiunile de reparație necesare pentru mașină trebuie să fie efectuate de către service-ul nostru autorizat. Dacă mașina are nevoie de o reparație sau dacă nu puteți elimina defecta cu ajutorul informațiilor furnizate după cum urmează:

- Decuplați mașina și opriți mașina.

| DEFECTIUNE               | CAUZE POSIBILE   | DEPANARE   |
|--------------------------|--|--|
| Mașina nu pornește.      | Dacă nu este conectată.  | Conectați mașina.  |
|                          | Sigurantele nu sunt bune.  | Înlocuiți sigurantele.   |
|                          | Oprirea electricității.  | Verificați puterea de alimentare.  |
|                          | Butonul Pornire/ Pauza nu este apasat.                                   | Apasați butonul Start/Pauza.   |
|                          | Poziția "stop" este activată   | Comutați butonul programului în poziția dorită.  |
|                          | Ușa mașinii nu este închisă complet                                      | Închideți ușa.   |
| Mașina nu primește apă.  | Robinetul este oprit.  | Deschideți robinetul.  |
|                          | Furtunul de admisie al apei poate fi răsucit.                            | Verificați furtunul de admisie a apei și dezrăsuciți.  |
|                          | Furtun de admisie apă înfundat.  | Curățați filtrele furtunului de admisie a apei.  |
|                          | Filtru admisie înfundat.   | Curățați valvele filtrului de admisie  |
|                          | Ușa mașinii nu este închisă complet.                                     | Închideți ușa.   |
| Mașina nu evacuează apa. | Furtun de evacuare înfundat sau răsucit.                                 | Verificați furtunul de descărcare, apoi curățați-l sau îndreptați-l.                                   |
|                          | Filtrul pompei înfundat.   | Curățați filtrul pompei.   |
|                          | Rufe așezate neomogen în mașină.   | Distribuiți corect rufele în mașină.   |
| Mașina vibrează.         | Piciorușele mașinii nu au fost reglate.                                  | Reglați piciorușele mașinii.   |
|                          | Balamalele de siguranță montate pentru transport nu sunt dezasamblate.   | Dezasamblați balamalele de siguranță a mașinii.  |
|                          | Cantitate mai mică de rufe în mașină.                                    | Aceasta nu va bloca funcționarea mașinii.  |
|                          | Mașina este supraîncărcată cu rufe sau acestea nu sunt bine distribuite. | Nu introduceți mai multe rufe decât cantitatea necesară și distribuiți corespunzător rufele în mașină. |
|                          | Mașina se sprijină pe o suprafață tare.                                  | Preveniți mașina de sprijinirea pe suprafețe tari.   |

| DEFECTIUNE  | CAUZE POSIBILE  | DEPANARE  |
|---|---|---|
| Spumă excesivă este formată în sertarul pentru detergent.         | Cantitate excesivă de detergent folosită.                                       | Apăsați butonul Pornire/Pauză Pentru a elimina formarea de spumă, amestecați o lingură de balsam cu jumătate de litru de apă, și turnați amestecul în sertarul pentru detergent. După 5-10 minute, apăsați din nou butonul Pornire/Pauză. În următoarea operațiune de spălare, reglați corespunzător doza de detergent. |
|   | Detergent utilizat greșit.  | Utilizați detergenți produși doar pentru mașini de spălat automate.   |
| Rezultat de spălare nesatisfăcător.                               | Gradul de contaminare a rufelor nu corespunde cu programul pe care l-ați ales.  | Selectați programul corespunzător pentru gradul de contaminare al rufelor dumneavoastră. (Consultați tabelul de program)  |
|   | Cantitate de detergent utilizată insuficient.                                   | Reglați cantitatea de detergent bazată pe cantitatea și gradul de contaminare al rufelor.   |
|   | Rufe amplasate în mașină în exces de capacitatea maximă.                        | Încărcați mașina cu rufe, cantitatea care nu trebuie să depășească capacitatea maximă de rufe   |
|   | Apa este grea.(Contaminată, apă calcaroasă etc)                                 | Reglați cantitatea de detergent bazată pe instrucțiunile producătorului detergentului.  |
|   | Rufe așezate neomogen în mașină.  | Distribuiți corect și omogen rufele dumneavoastră în mașină.  |
| De îndată ce mașina este încărcată cu apă, aceasta este evacuată. | Capătul de final al furtunului de descărcare este prea jos pentru mașină.       | Setați înălțimea corespunzătoare a furtunului de evacuare a apei.   |
| În timpul spălării, nu apare apă în tambur.                       | Fără defect. Apa se află în partea neutilizată a tamburului.                    | -----   |
| Rufe lasă reziduuri de detergent pe acestea.                      | Particulele nedizolvate ale unilor detergenți se pot lipi de rufe ca pete albe. | Efectuați o clătire suplimentară prin setarea mașinii la programul "Clătire", sau curățați petele utilizând o perie după ce acestea s-au uscat.   |
| Pete gri apar pe rufe.  | Motivul pentru care apar poate fi ulei, cremă sau alifii.                       | Aplicați cantitatea maximă de detergent conform producătorului detergentului în următoarea operațiune de spălare.   |
| Operațiunea de centrifugare nu este efectuată sau întârzie.       | Fără defect. Sistemul nebalansat de control al încărcării a fost activat.       | Sistemul de control al unei încărcări neuniforme va încerca să distribuie rufele uniform. Operațiunea de stoarcere va începe după ce rufele sunt distribuite adecvat. Data viitoare, introduceți rufele în mașină într-un mod uniform.  |

## XII. PRECAUTII SI AVERTISMENTE

Mașina este dotată cu sisteme ce sunt capabile de a lua precauțiile și avertismentele necesare în cazul unei defecțiuni prin intermediul unei verificări în mod continuu în timpul operațiunilor de spălare.

| COD ERORI | DEFECT POSIBIL  | CE TREBUIE FĂCUT   |
|-----------|---|--|
| E01       | Ușa mașinii nu este închisă corespunzător.  | Închideți ușa corespunzător, până când auziți un clic. Dacă mașina menține indicarea defecțiunii, opriți mașina, decuplați-o și contactați imediat cel mai apropiat agent autorizat de service.  |
| E02       | Presiunea apei sau nivelul apei din interiorul mașinii pot fi scăzute.                              | Verificați ca robinetul să fie pornit complet<br>Apa de la rețea poate fi decuplată. Dacă problema persistă, mașina dumneavoastră se va opri automat după un timp. Deconectați mașina, opriți robinetul și contactați cel mai apropiat agent autorizat de service. |
| E03       | Pompa este defectă sau filtrul pompei este înfundat sau conexiunea electrică a pompei este defectă. | Curățați filtrul pompei. Dacă problema persistă, contactați cel mai apropiat agent autorizat de service. (*)   |
| E04       | Mașina are o cantitate excesivă de apă.   | Mașina va evacua apa singură. După evacuarea apei, opriți mașina și deconectați-o. Opriți robinetul și contactați cel mai apropiat agent autorizat de service.   |



### **MASURI PENTRU PROTECTIA MEDIULUI**

Va informam ca persoanele fizice au urmatoarele obligatii prin legislatia specifica privind protectia mediului si regimul deseurilor:

- Deseurile de echipamente electrice si electronice (DEEE), pot contine substante periculoase pentru mediu si sanatatea umana. Conform OUG 5/2015, exista obligativitatea predarii acestora, pentru tratarea corespunzatoare si valorificarea componentelor reciclabile. Societatea Network One Distribution S.R.L. este platitoare de taxa de " timbru verde" pentru fiecare Echipament Electric si Electronic (EEE) pe care il pune pe piata. Acest cost asigura tratarea ulterioara a echipamentelor uzate colectate. Din acest motiv, odata ce devine deeu, produsul EEE poate fi predat gratuit operatorului Dvs. de salubritate, la magazine atunci cand achizitionati alt echipament similar, sistemul "unul la unu "sau la punctul de colectare organizat de Primaria Sectorului / localitatii Dvs.
- Simbolul (marcajul) aplicat produselor, care indica faptul ca deseurile DEEE, bateriile si acumulatorii - fac obiectul unei colectari separate, il reprezinta o pubela barata cu o cruce.



#### ***Aceste masuri vor ajuta la protejarea mediului***

Societatea Network One Distribution S.R.L. este inregistrata in Registrul de punere pe piata a echipamentelor electrice si electronice, avand numarul de inregistrare: RO-2016-03-EEE-0201-IV. De asemenea, au fost intocmite si sunt gestionate: Registrul de Retragere EEE si Registrul de Rechemare EEE, in conformitate cu HG 322/2013. Totodata societatea este inregistrata in Registrul de punere pe piata a bateriilor, avnd numarul de inregistrare: RO-2011-03-B&A-0283.

Conformitatea cu directiva RoHS: Produsul pe care l-ați cumpărat este conform cu Directiva RoHS UE (2011/65/UE). Nu conține materialele dăunătoare și interzise specificate în Directivă.

**Va multumim ca participati alaturi de noi la protejarea mediului si a sanatatii umane!**

## SERVICE ȘI ASISTENȚĂ PENTRU CLIENȚI

Utilizați numai piese de schimb originale.

Când contactați centrul nostru de service autorizat, asigurați-vă că aveți la îndemână următoarele informații: Denumirea modelului și numărul de serie.

Informațiile pot fi găsite pe plăcuța cu date tehnice. Acestea pot suferi modificări fără o notificare prealabilă.

## DATE TEHNICE

Informațiile tehnice se află pe plăcuța cu date tehnice a aparatului și pe eticheta energetică. Codul QR de pe eticheta energetică furnizată împreună cu aparatul oferă un link web către informațiile din baza de date EPREL cu privire la performanțele aparatului.

Păstrați eticheta energetică pentru consultări ulterioare, împreună cu manualul de utilizare și cu toate celelalte documente furnizate împreună cu acest aparat.

De asemenea, puteți găsi aceleași informații în baza de date EPREL, folosind link-ul <https://eprel.ec.europa.eu> și denumirea modelului o găsiți pe plăcuța cu date tehnice a aparatului.

Pentru a accesa informațiile despre produsul Dvs în portalul EPREL, puteți scana codul de mai jos:



Vă mulțumim pentru achiziționarea acestui produs! Dacă aveți nevoie de asistență în ceea ce privește produsul dumneavoastră, vizitați site-ul nostru web utilizând linkurile de mai jos:

**Manuale de utilizare:** <https://www.heinner.ro>

**Informații referitoare la service:** <https://www.heinner.ro>



**HEINNER** este marcă înregistrată a companiei **Network One Distribution SRL**. Celelalte branduri și denumirile produselor sunt mărci de comerț sau mărci de comerț înregistrate ale respectivilor deținători.

Nicio parte a specificațiilor nu poate fi reprodusă sub nicio formă și prin niciun mijloc, nici utilizată pentru obținerea unor derivate precum traduceri, transformări sau adaptări, fără consimțământul prealabil al companiei NETWORK ONE DISTRIBUTION.

Copyright © 2013 Network One Distribution. Toate drepturile rezervate.

[www.heinner.com](http://www.heinner.com), <http://www.nod.ro>



Acest produs este proiectat și realizat în conformitate cu standardele și normele Comunității Europene.

Importator: **Network One Distribution**

Str. Marcel Iancu, nr. 3-5, București, România

Tel: +40 21 211 18 56, [www.heinner.com](http://www.heinner.com), [www.nod.ro](http://www.nod.ro)

**10** ani

Perioada minimă de asigurare a pieselor de schimb pentru această mașină de spălat de uz casnic este de 10 ani.

# HEINNER

## АВТОМАТИЧНА ПЕРАЛНА МАШИНА Модел: HWM-VT1710KD++



- Автоматична перална машина
- Капацитет на изпиране: 7 кг
- Капацитет на изцеждане: 1000 об/мин
- Енергиен клас: D



Благодарим Ви, че избрахте този продукт!

## II. ВЪВЕДЕНИЕ

**Преди да използвате този уред прочетете внимателно този наръчник с инструкции и пазете го за бъдещи справки.**

*Този наръчник е проектиран, за да Ви предостави всички необходими инструкции относно инсталирането, използването и поддържането на уреда.*

*Преди инсталиране и използване на уреда, с цел правилна и безопасна употреба на уреда, моля прочетете внимателно този наръчник с инструкции.*

## III. СЪДЪРЖАНИЕ НА ВАШИЯ КОМПЛЕКТ



- Пералня със сушилня
- Наръчник за потребителя
- Гаранционна карта

## XIII. МЕРКИ ЗА БЕЗОПАСНОСТ

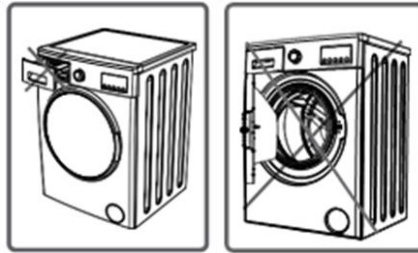
1. Прочетете ръководството за потребителя.
2. Машината е създадена за използване у дома. Използването за търговски цели води до отмяна на гаранцията.
3. Проверете опаковката на машината преди монтажа, както и външните повърхности след разопаковане. Не работете с повредени машини или с машини с нарушена опаковка.
4. Машината трябва да се монтира само от упълномощен сервиз. Вмешателствата в машината от лица, които не са служители на упълномощен сервиз, води до отмяна на гаранцията.
5. Уредът не е предназначен за използване от лица (включително деца) с намалени физически, сензорни или умствени възможности, или лица с липса на опит и познания, освен ако не бъдат наблюдавани или инструктирани относно употребата на уреда от отговорно за тяхната безопасност лице. Децата трябва да се наблюдават и да не им се позволява да си играят с уреда.
6. Използвайте машината само за пране, което е подходящо за машинно пране.
7. Преди да започнете работа с машината отстранете 4 транспортни винта и гумените разделители от задната ѝ страна. Ако винтовете не бъдат отстранени, причиняват силен шум и вибрации, и неправилно функциониране на продукта (което не се покрива от гаранцията).
8. Машината не е защитена с гаранция за неизправности, причинени от всякакъв вид външни фактори (пестициди, пожар и др.).
9. Не изхвърляйте настоящото ръководство за потребителя; запазете го за бъдещи справки. Вие или някой друг може да се нуждаете от него в бъдеще.
10. Забележка: Спецификациите на машината могат да се различават в зависимост от закупения продукт.
11. Необходимата температура на околната среда за идеална работа на машината е 15-25°.
12. Замръзналите маркучи могат да се скъсат и да експлодират. В регионите, в които температурата пада под нулата, околната температура може да застраши безопасната работа на електронната платка.
13. Уверете се, че дрехите, които поставяте в машината, не съдържат чужди тела (пирони, игли, монети, запалки, кламери и др.) в джобовете. Подобни предмети могат да повредят машината.
- 14. Препоръчва се изперете за първи път при програма за памук 90°и без пране като поставите ½ доза препарат във 2 отделение на чекмеджето за препарати**
15. Тъй като препаратът и омекотителят, които са изложени на влиянието на въздуха за по-продължителен период, могат да формират твърди остатъци, поставяйте препарата или омекотителя в чекмеджето за препарат в началото на всяко пране.
16. Препоръчва се да изключвате машината и да спирате крана за вода, ако не предвиждате да я използвате за попродължителен период от време. Освен това, ако оставите вратата на машината отворена, ще предотвратите образуването на лоши миризми, дължащи се
17. Възможно е в машината да остане малко вода след края на изпитанията и тестовите, които се провеждат според процедурите за качествен контрол. Това не води до повреда на машината.
18. Помнете, че опаковъчните материали на машината е възможно да бъдат опасни за деца
19. Запазете опаковъчните материали на място, където децата не могат да ги достигнат или ги изхвърлят.
20. Използвайте програми за предпране само с много мръсно пране.
21. Никога не отваряйте чекмеджето за препарат по време на работа на уреда.
22. В случай на неизправност първо изключете уреда и след това спрете водата. Не правете опити за ремонт. Винаги се обръщайте към упълномощен сервиз за съвет.
23. Количеството пране, което поставяте в машината не трябва да надхвърля посочения максимум.

24. Никога не отваряйте насилствено вратата на работещата машина.
25. Уверете се, че вратата на пералната машина не е препречена и може да се отвори напълно

**Необходимо е да прочетете следните предупреждения. Можете да защитите себе си и любимите си хора от фатални наранявания**

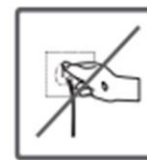
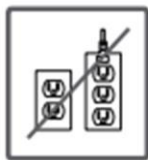
#### **РИСК ОТ ИЗГАРЯНИЯ**

Не докосвайте маркуча за източване или изхвърлена вода, докато пералната машина работи. Свързаните с това високи температури носят риск от изгаряне



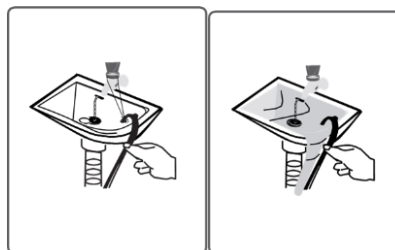
#### **РИСК ОТ СМЪРТ ПОРАДИ ТОКОВ УДАР!**

1. Не използвайте разклонители или удължители.
2. Не включвайте машината в повредени контакти.
3. При изключване никога не дърпайте кабела - винаги хващайте щепсела.
4. Не включвайте и не изключвайте уреда от контакта с влажни ръце, за да избегнете токов удар.
5. Никога не докосвайте машината с влажни ръце или крака.
6. Обадете се в най-близкия упълномощен сервиз за смяна, ако захранващия кабел не функционира правилно.



#### **Риск от наводнение!**

1. Проверете дали водата изтича бързо или не преди да поставите маркуча за източване в мивката.
2. Вземете необходимите мерки, за да предотвратите изплъзване на маркуча.
3. Силата на откат на маркуч, който не е поставен правилно, може да го измести. Отстранете стопера от мивката, за да не блокира отвора й.



### **Опасност от пожар!**

1. Не съхранявайте възпламеними течности в близост до машината.
2. Съдържащите сяра отстранители на бои могат да причинят корозия. Поради тази причина никога не използвайте материали за отстраняване на боя върху машината.
3. Никога не използвайте продукти, които съдържат разтворители (например газ за миене) в машината.
4. Отстранете всички предмети от джобовете на дерхите (игли, кламери, запалки и др.) при поставяне на дерхите в машината.

### **Възможен е риск от експлозия или пожар.**

#### **Опасност от падане и нараняване!**

1. Не се качвайте върху машината! Горният ѝ пло може да се счупи и да се нараните.
2. Подредете маркуча, кабела и опаковката на машината по време на монтажа. В противен случай може да се спънете и да паднете.
3. Не обръщайте машината обратно или настрани.
4. Не повдигайте машината като я държите з нейните части (чекмедже за препарат, врата). Те могат да се счупят и да доведат до нараняване.
5. Съществува риск от препъване и нараняване ако материали, като маркуч и кабел не са правилно съхранени след монтажа на машината.

**Машината трябва да се носи от 2 души или повече.**

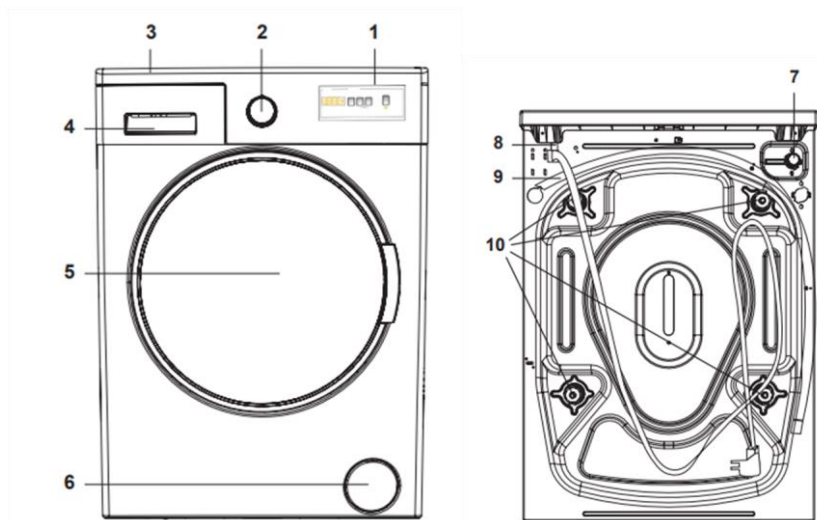
#### **Безопасност за децата!**

1. Не оставяйте децата без наблюдение в близост до машината. Децата могат да се затворят в машината и да възникне риск от задушаване.
2. Стъклото и повърхността на вратата могат да се нагреят значително по време на работа на машината. Поради тази причина докосването на машината може да изгори нежна детска кожа.
3. Пазете опаковъчните материали далеч от деца.
4. Възможно е отравяне при консумиране на препарати за пране или поддръжка. Възможни са още дразнения в очите или кожата при контакт с препарата. Съхранявайте почистващите материали далеч от обсега на децата

#### **Отстраняване на опаковъчните материали**

Опаковъчните материали защитават машината от повреди, които могат да възникнат по време на транспортиране. Опаковъчните материали са щадящи околната среда и могат да се рециклират. Рециклирането на материалите осигурява спестявания от суровини и намалява създаването на отпадъци.

## V. ПРЕГЛЕД НА УРЕДА

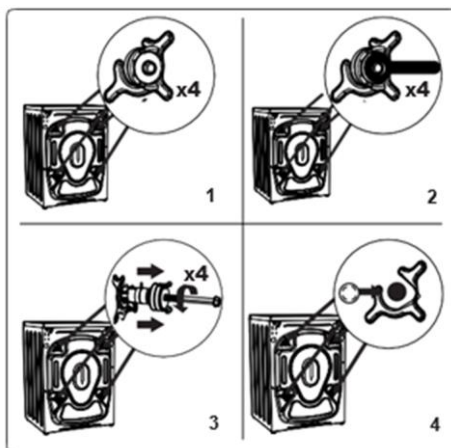


1. Електронен дисплей
2. Програмастор
3. Горна тава
4. Чекмедже за препарат
5. Барабан
6. Капак на филтъра на помпата
7. Клапан на входа за вода
8. Захранващ кабел
9. Изпускателен маркуч
10. Транспортни болтове

## VI. МОНТИРАНЕ НА МАШИНАТА

### ОТСТРАНЯВАНЕ НА ОБЕЗОПАСИТЕЛНИ ВИНТОВЕ

1. Преди да започнете работа с машината е необходимо да отстраните 4 транспортни винт и гумените разделители от задната ѝ страна. Ако винтовете не бъдат отстранени, причиняват силен шум и вибрации, неправилно функциониране на продукта (което не се покривот гаранцията).
2. Поради тази причина транспортните винтове трябва да се разхлабят чрез завъртан в обратна на часовниковата стрелка посока при използване на подходящ гаечен ключ.
3. Транспортните винтове се отстраняват чрез издърпване.
4. Поставете доставените в чантата с аксесоари пластмасови капачки за транспортни винтове на местата на отстранените транспортни винтове.
5. Транспортните обезопасителни винтове трябва да се съхраняват и да се използват в случай на транспортиране.



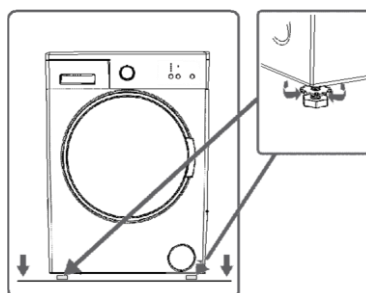
**БЕЛЕЖКА:** Преди първото използване на машината се уверете, че транспортните винтове са отстранени.

Повредите в машини с неотстранени транспортни винтове са извън обхвата на гаранцията.

### Настройка на регулируемите опори

Не поставяйте машината върху килим или други меки подови настилки, които предотвратяват вентилиране на основата ѝ.

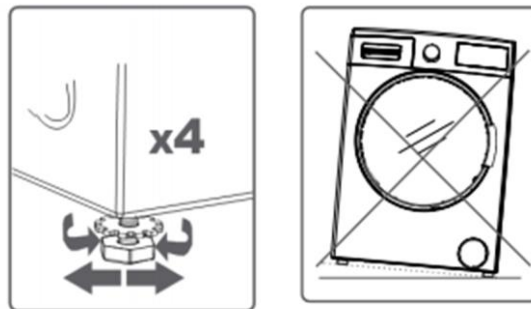
За да осигурите тиха работа без вибрации на машината, е необходимо да я поставите върху неплъзгащ се твърд под. Можете да нивелирате машината с помощта на опорите. Разхлабете пластмасовата регулационна гайка.



Можете да регулирате опорите нагоре и надолу, като ги завъртите. След като нивелирате уреда, притиснете отново нагоре пластмасовата гайка за регулиране.

Никога не поставяйте картон, дървена подложка или други подобни материали под машината, ако искате да я нивелирате правилно на земя.

При почистване на пода, върху който сте поставили машината, внимавайте да не нарушите нивелирането на опорите.



### ЕЛЕКТРИЧЕСКО СВЪРЗВАНЕ

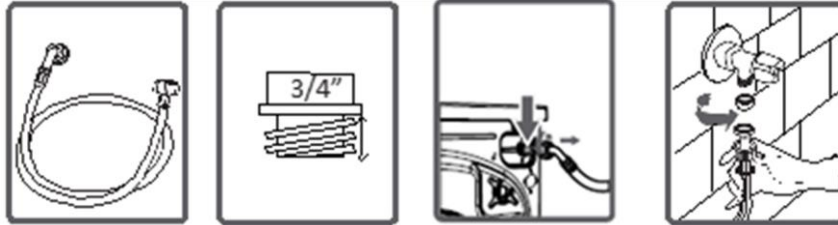
- Пералната машина работи с 220-240V и 50Hz.
- Кабелът на захранването на пералната машина е оборудван със специален заземителен щепсел. Щепселът винаги трябва да се поставя в заземен контакт 10 ампера.
- Стойността на тока на предпазителя трябва да бъде 10 ампера. Стойността на тока на свързаната към щепсела захранваща линия също трябва да бъде 10 ампера.
- Ако не разполагате с такъв контакт и съответен предпазител, повикайте квалифициран техник.
- Не поемаме отговорност за щети, които възникват поради работа без заземяване.

**ЗАБЕЛЕЖКА:** Работата с машината при ниско напрежение води до намаляване на експлоатационния ѝ живот и ограничаване на ефективността.

### СВЪРЗВАНЕ НА ВХОДНИЯ МАРКУЧ ЗА ВОДА

- Машината може да има един вход (за студена вода) или два входни маркуча (топла/студена вода) в зависимост от спецификациите. Маркучът с бяла капачка трябва да се свърже към вход за студена вода, а маркучът с червена капачка – към входа за топла вода (приложимо е за машини с два входа за вода).
- За да елиминирате течовете в точките на контакт, се осигуряват 1 или 2 гайки в опаковката на маркуча (приложимо за машини с два входа за вода). Монтирайте гайките към края на входните маркучи за вода откъм страната на крана.
- Монтирайте новия входен маркуч за вода към кран с резба  $\frac{3}{4}$  ".
- Свържете края на бялото коляно на входния маркуч за вода към белия филтриран входен клапан за вода от задната страна на машината. Червеното коляно се свързва към червения филтриран вход (приложимо само за машини с два входа за вода). Затегнете пластмасовите части на съединението на ръка. Ако не можете да определите условията, оставете връзките да бъдат направени от квалифициран водопроводчик.
- Воден поток с налягане 0,1-1 Мра позволява на машината да работи по-ефективно.) (Налягане от 0,1 Мра означава, че през крана протичат повече от 8 литра вода в минута.)
- Уверете се, че в контактните точки няма течове след пълно затваряне на крана, когато направите връзките.

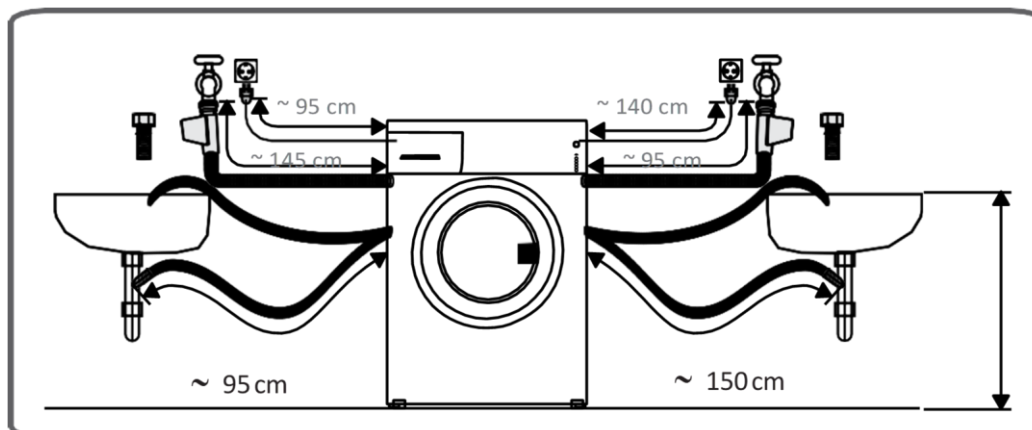
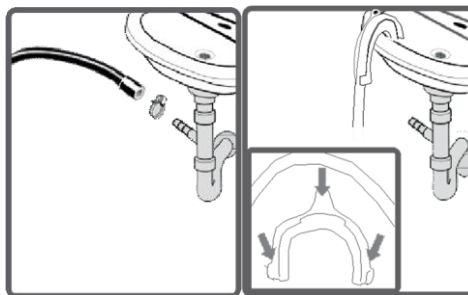
- Уверете се, че новият входен маркуч за вода не е огънат, счупен или с неподходящ размер. Ако машината има два входа за вода, температурата на входа за гореща вода не трябва да надхвърля 70°C.



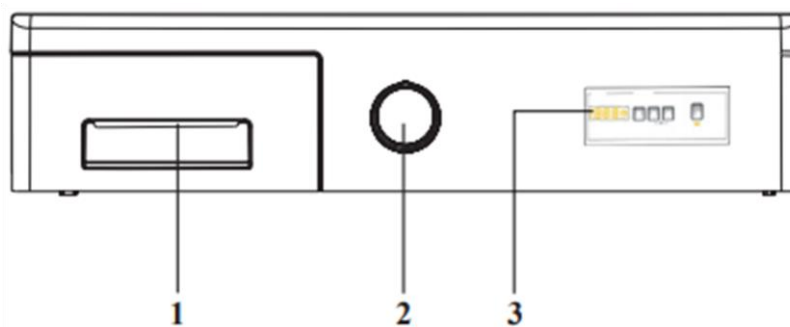
**Забележка:** Използвайте само доставените с машината нови входни маркучи за вода при свързване към водопровода. Никога не използвайте стари, използвани или повредени входни маркучи за вода.

#### **СВЪРЗВАНЕ КЪМ КАНАЛИЗАЦИЯТА**

- Краят на маркуча за източване на водата може да се монтира към специален апарат, директно свързан към отвора на канализацията или изходното съединение на коляното на мивката.
- Никога не правете опити да удължавате маркуча за източване на вода чрез наставяне.
- Не поставяйте маркуча за източване на машината в съдове, кофи или мивки.
- Уверете се, че маркучът за източване на водата не е огънат, усукан, скъсан или удължен. Обърнете внимание: Маркучът за източване на вода трябва да се монтира на височина от максимум 100 cm от земята.



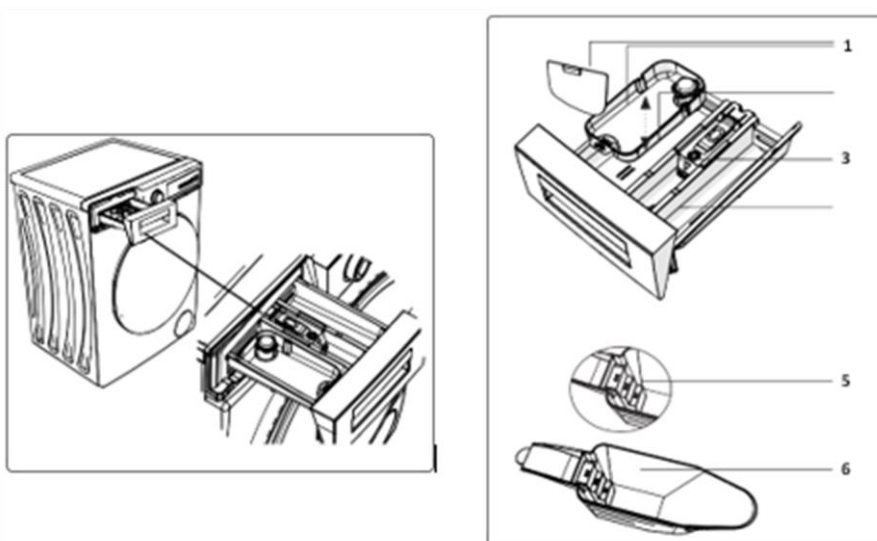




1. Чекмедже за препарат
2. Програматор
3. Електронен дисплей

### Чекмедже за препарат

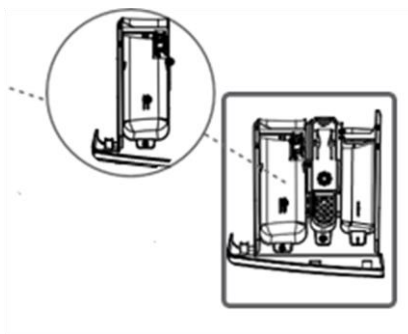
Можете да използвате пластината за определяне на нивото на течността, когато искате да перете с течен препарат. Можете да използвате течни препарати при всички програми, без предпране. Поставете апарата за течен препарат във второто отделение (предлага се в машината) на чекмеджето за препарат (\*) и задайте количеството на препарата. (Използвайте препоръчаното от производителя на препарата количество).



1. Приставки за течен препарат
2. Отделение за препарат за основно пране
3. Отделение за омекотител
4. Отделение за препарат при предпране
5. Нива на прах за пране
6. Лопатка за прах за пране

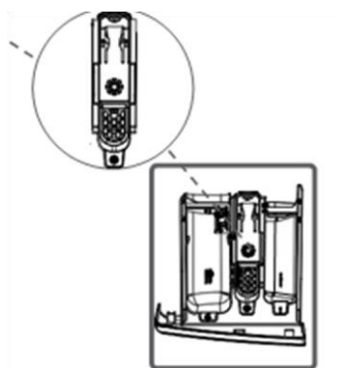
**Отделение за препарат:**

В това отделение могат да се използват само материали като препарат за пране (течен или прахообразен), препарат срещу образуване на котлен камък и други подобни.



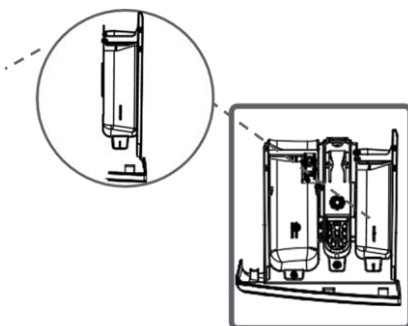
**Отделение за омекотител, кола, препарати:**

Можете да използвате омекотител за пране (препоръчват се посочените от производителя на препарата количества). Понякога омекотителите за тъкани, които използвате по време на прането, могат да останат в отделението. Причина за това е, че омекотителите имат голям вискозитет. За да се предотвратят подобни ситуации, се препоръчва използване на по-вискозни препарати или омекотителят първо трябва да се разрежи и след това да се използва.



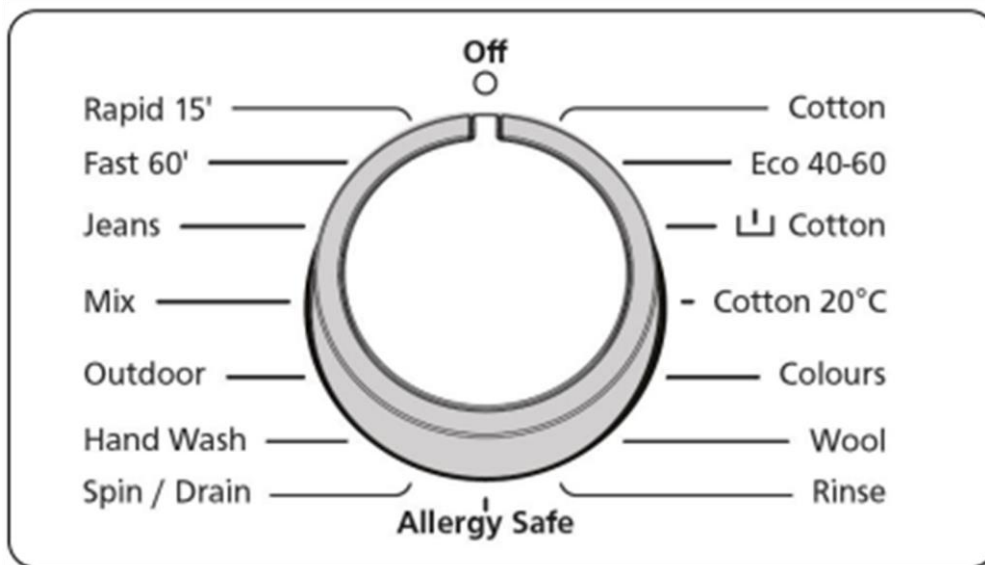
**Отделение за предпране:**

Това отделение трябва да се използва само при избор на функция за предпране. Предпрането се препоръчва при силно замърсено пране.

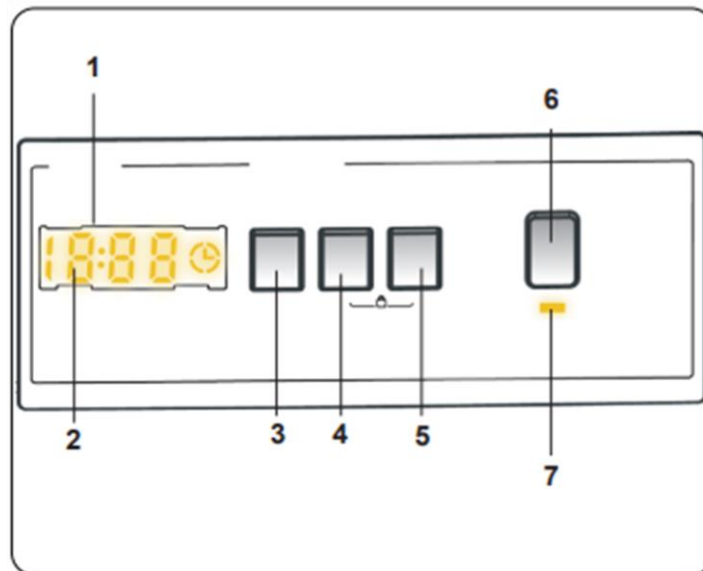


## VII. МАНИПУЛАТОР ЗА ПРОГРАМИРАНЕ

С манипулатора за програмиране можете да изберете програма за изпиране на прането. Изборът на програма се осъществява чрез завъртане на манипулатора в двете посоки. Уверете се, че манипулаторът за програмиране е точно на програмата, която искате да изберете



## VIII. ЕЛЕКТРОНЕН ДИСПЛЕЙ



1. Електронен дисплей
2. Цифров дисплей
3. Бутон за настройка на температурата на водата
4. Бутон за регулиране на скоростта на оборотите
5. Допълнителна функция за отложен старт
6. Бутон за стартиране/пауза
7. Светлина на бутона за стартиране/ пауза

Панелът на дисплея показва таймера за отложено пране (ако е зададен), избора на температура, скоростта на центрофугиране, всякакви допълнително избрани функции. Панелът на дисплея показва „End“ (Край), когато избраната програма завърши. Панелът на дисплея показва също, ако в машината е възникнала грешка.

## IX. ИЗПОЛЗВАНЕ НА КОЛАТА

### РАЗДЕЛЯНЕ НА ПРАНЕТО

- Върху дрехите има етикети, които посочват начина на пране. Перете и сушете дрехите в зависимост от указанията на етикета.
- Разделяйте прането според типа (памук, синтетика, деликатни тъкани, вълна и др.), температурата на пране (студена вода, 30°, 40°, 60°, 90°) и степента на замърсяване (леко замърсени, замърсени, силно замърсени дрехи).
- Никога не перете заедно бели и цветни дрехи.
- Перете цветните дрехи отделно при първото пране, тъй като могат да пускат.
- Уверете се, че в прането няма метални предмети. Проверявайте джобовете и извадете опасните предмети.



**ПРЕДУПРЕЖДЕНИЕ: Неизправностите, които възниква вследствие на проникване на чужди тела в машината не се покриват от гаранцията.**

- Отворете циповете и разкопчайте дрехите.
- Отстранете металните или пластмасови куки на завесите и ги поставете в машината без тях или ги поставете в платнена чанта.
- Обърнете дрехи като гащи, трикотаж, тениски и потници.
- Перете чорапи, кърпи и малки дрехи в мрежа за пране.

### ПОСТАВЯНЕ НА ДРЕХИТЕ В МАШИНАТА






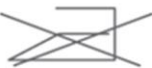









- Отворете вратата на машината.
- Ръзгънете прането в машината.

**Забележка: Максималният капацитет на машината може да бъде различен в зависимост от типа на прането, степента на замърсяване и избраната програма. Не надхвърляйте максималния капацитет за сухо пране, който можете да видите в таблицата с програми.**

Можете да вземете за пример следната таблица с тегла:

| ТИП НА ПРАНЕТО         | ТЕГЛО (gr) |
|------------------------|------------|
| Хавлии                 | 200        |
| Ленени тъкани          | 500        |
| Хавлии за баня         | 1200       |
| Покривки за легла      | 700        |
| Калъфки за възглавници | 200        |
| Бельо                  | 100        |
| Покривки за маса       | 250        |

- Поставете всяка дреха поотделно.
- Уверете се, че прането не залепва между капака и уплътнението под него, когато затворите вратата на машината.
- Притиснете вратата на машината. Ще чуете щракване от заключването ѝ.
- Затворете вратата на машината правилно. В противен случай тя няма да стартира.

|   |   |  |
|---|---|--|
| <br>Възможно<br>избелване  | <br>Не<br>избелване                          | <br>Нормално<br>пране                              |
| <br>Температура на<br>гладене<br>макс. 150°C                                     | <br>Температура на<br>гладене<br>макс. 200°C | <br>Не може<br>да се<br>глади                      |
| <br>Почиства се<br>химично  | <br>Не се почиства<br>химично               | <br>Съхнете в<br>хоризонтално<br>положение       |
| <br>Естествено<br>съхнете на<br>простор  | <br>Прострете, за<br>да изсъхне            | <br>Не сушете<br>чрез<br>изстискване             |
| <br>Химическо чистене<br>с газово масло,<br>чисто разрешава се<br>спирт и R113 | <br>Перхлоретилен<br>R11, R13,<br>Петрол   | <br>Перхлоретилен<br>R11, R113, газово<br>масло |

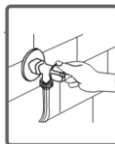
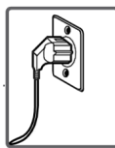
### ДОБАВЯНЕ НА ПРЕПАРАТ В МАШИНАТА

Количеството на препаратата, който трябва да добавите в машината, зависи от следните критерии:

- Използването на препарат се основава на степента на замърсяване на прането. Не включвайте предпране, освен при силно замърсено пране. Поставете малко количество препарат във второто отделение на чекмеджето за препарат.
- При силно замърсено пране избирайте програма с предпране и поставяйте 1/4 от препаратата в първото отделение на чекмеджето за препарат и 3/4 във второто.
- Използвайте препарати за автоматични перални машини. Количеството и използвания препарат е отпечатано върху опаковката на препаратата.
- Колкото по-твърда е водата, толкова повече препарат трябва да използвате.
- Количеството на използвания препарат се увеличава с увеличаването на количеството на прането.
- Поставете омекотител в отделението за омекотител на чекмеджето за препарати. Не надхвърляйте МАКСИМАЛНОТО ниво. В противен случай омекотителят ще изтече с водата за изплакване.
- Препоръчва се да разреждате омекотителите с голяма плътност до степен, позволяваща да бъдат поставени в чекмеджето. Това е необходимо, тъй като омекотителите с голяма плътност задръстват водния поток и не позволяват протичане на омекотителя.
- Можете да използвате течни препарати при всички програми, без предпране. За тази цел поставете пластината за ниво на течния препарат от плика с аксесоари или доставения апарат за течни препарати във второто отделение на чекмеджето за препарат и задайте количеството и течния препарат според нивата на пластината. Помнете, че трябва да извадите пластината за течен препарат.

### РАБОТА С МАШИНАТА

1. Включете машината.
2. Отворете крана за вода.
3. Отворете вратата на машината.
4. Ръзгънете прането в машината
5. Притискайте вратата на машината докато чуete звук от заключване

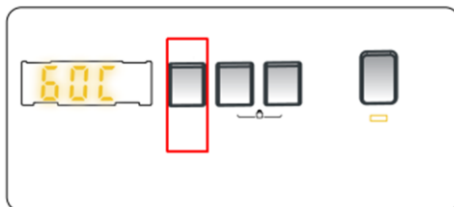


### СИСТЕМА ЗА РАЗПОЗНАВАНЕ НА ПОЛОВИН НАТОВАРВАНЕ

Машината предлага система за разпознаване на половин натоварване. В случай, че поставите приблизително половината или по-малко количество от максималния капацитет на машината, тя работи така, че да спестява време за пране, вода и енергия. При активиране на функцията за половин натоварване машината може да завърши програмата за по-кратко време.

### 1. ИЗБОР НА ТЕМПЕРАТУРА

Използвайте бутона за настройка на температурата на водата, за да промените автоматично програмираната температура на водата за пране.



Когато изберете програма, максималната температура за тази програма се избира автоматично. За да регулирате температурата, натиснете бутона за настройка на температурата на водата, докато на цифровия дисплей се покаже желаната температура.

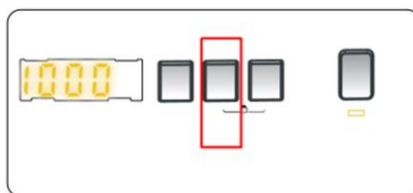
Можете постепенно да намалявате температурата на водата за пране между максималната за избраната програма и пране със студена вода (- - C), като натискате бутона за регулиране на температурата.

### 2. ИЗБОР НА СКОРОСТ ЗА ЦЕНТРОФУГИРАНЕ

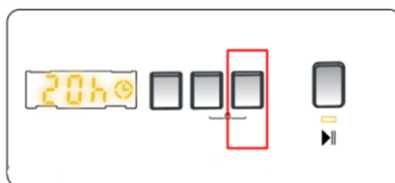
Когато изберете програма, максималната скорост на центрофугиране се избира автоматично.

За да регулирате скоростта на центрофугиране между максималната скорост и опцията за отмяна на центрофугирането (- - -), натиснете бутона за скорост на центрофугиране, докато се покаже желаната скорост.

Ако сте прескочили скоростта на центрофугиране, която искате да зададете, продължавайте да натискате бутона за настройка на скоростта на центрофугиране, докато отново се покаже желаната скорост.



### 3. ТАЙМЕР ЗА ОТЛОЖЕН СТАРТ



Можете да използвате тази спомагателна функция, за да отложите стартирането на цикъла на пране с от 1 до 23 часа.

За да използвате функцията за отложен старт: Натиснете бутона за отложен старт веднъж. Показва се „01h“. ☉ ще светне на електронния дисплей..

Натискайте бутона за отложен старт, докато достигнете времето, след което искате машината да стартира цикъла на пране.



#### 4. БУТОН ЗА СТАРТИРАНЕ/ПАУЗА



С натискането на бутона за стартиране/ пауза можете да стартирате избраната програма или да спрете работеща програма. Ако превключите машината в режим на готовност, светлинният индикатор на бутона за стартиране/ пауза ще примигва на електронния дисплей.

#### 5. БЛОКИРОВКА ЗА ДЕЦА

Функцията за блокировка за деца Ви позволява да блокирате бутоните, така че избраният цикъл на пране да не може да бъде променен неволно. За да активирате блокировката за деца, натиснете и задръжте бутон 2 и 3 едновременно за поне 3 секунди. На дисплея ще примигва „CL“ за 2 секунди при активиране на блокировката за деца



Ако бъде натиснат бутон или избраната програма бъде променена чрез програматора, докато блокировката

за деца е активна, символът „CL“ ще примигва на електронния дисплей за 2 секунди.

Ако по време на активна блокировка за деца работи програма, програматорът се завърти на позиция CANCEL (Отказ) и се избере друга програма, избраната преди това програма продължава от мястото на прекъсване

За да активирате блокировката за деца, натиснете и задръжте бутон 2 и 3 едновременно за поне 3 секунди, докато символът „CL“ изчезне от електронния дисплей.

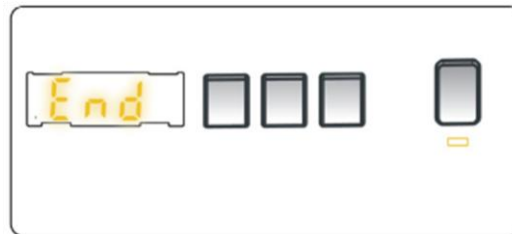
#### ОТМЯНА НА ПРОГРАМАТА

За да отмените работеща програма по всяко време:

1. Завъртете програматора на позиция „STOP“ (Стоп).
2. Машината спира прането и програмата се отменя.
3. Завъртете програматора на която и да е друга програма, за да източите машината.
4. Машината ще извърши необходимите действия по източването и ще отмени програмата.
5. Сега можете да изберете и изпълните нова програма.

### КРАЙ НА ПРОГРАМАТА

Машината спира автоматично веднага след завършване на избраната програма. При активиране на дисплея примигва „“ (Край).



- Можете да отворите вратата на машината и да извадите прането.
- Оставете вратата на машината отворена, за да могат вътрешните части да изсъхнат.
- Превключете програматора на позиция „STOP“ (Стоп).
- Изключете машината от контакта.
- Затворете крана за вода.

## IX. ТАБЛИЦА НА ПРОГРАМИТЕ

|                           |   |
|---------------------------|---|
| <b>COTTON</b>             |   |
| Температура на            | 40°, 60°, 70°, 80°, 90°   |
| Максимално пране (kg)     | 7,0   |
| Отделение за              | 2   |
| Продължителност(мин.)     | 230   |
| Тип на прането / Описания | Силно замърсено памучно и ленено пране. (Бельо, ленени тъкани, покривки за маса, хавлии (максимум 3,5 kg), чаршафи и др.) |
| <b>ECO 40-60</b>          |   |
| Температура на            | *40° - 60°  |
| Максимално пране (kg)     | 7,0   |
| Отделение за              | 2   |
| Продължителност(мин.)     | 208   |
| Тип на прането / Описания | Замърсено памучно или ленено пране. (Бельо, ленени тъкани, покривки за маса, хавлии (максимум 3,5 kg), чаршафи и др.)     |
| <b>COTTON PRE WASH</b>    |   |
| Температура на            | --, 30°, 40°, 50°, 60°  |
| Максимално пране (kg)     | 7,0   |
| Отделение за              | 1&2   |
| Продължителност(мин.)     | 164   |
| Тип на прането / Описания | Замърсено памучно или ленено пране. (Бельо, ленени тъкани, покривки за маса, хавлии (максимум 3,5 kg), чаршафи и др.)     |
| <b>COTTON 20°</b>         |   |
| Температура на            | --, 20°   |
| Максимално пране (kg)     | 3,5   |
| Отделение за              | 2   |
| Продължителност(мин.)     | 96  |
| Тип на прането / Описания | По-малко замърсени памучни и ленени тъкани. (Бельо, чаршафи, покривки за маса, хавлии (макс. 2,0 kg), одеяла и др.)       |
| <b>COLOURS</b>            |   |
| Температура на            | --, 30°, 40°  |
| Максимално пране (kg)     | 7,0   |
| Отделение за              | 2   |
| Продължителност(мин.)     | 225   |
| Тип на прането / Описания | По-малко замърсени памучни и ленени тъкани. (Бельо, чаршафи, покривки за маса, хавлии (макс. 3,5 kg), одеяла и др.)       |
| <b>WOOL</b>               |   |
| Температура на            | --, 30°   |
| Максимално пране (kg)     | 2,0   |
| Отделение за              | 2   |
| Продължителност(мин.)     | 39  |
| Тип на прането / Описания | Вълнени тъкани с етикет за машинно пране.   |
| <b>RINSE</b>              |   |
| Температура на            | -   |
| Максимално пране (kg)     | 7,0   |
| Отделение за              | -   |
| Продължителност(мин.)     | 30  |
| Тип на прането / Описания | Осигурява допълнително изплакване на всякакъв тип пране след цикъла на пране  |

|                           |  |
|---------------------------|--|
| <b>ALLERGY SAFE</b>       |  |
| Температура на            | --, 30°, 40°, 50°, 60°   |
| Максимално пране (kg)     | 3,5  |
| Отделение за              | 2  |
| Продължителност(мин.)     | 197  |
| Тип на прането / Описания | Бebешки дрехи  |
| <b>SPIN/DRAIN</b>         |  |
| Температура на            | -  |
| Максимално пране (kg)     | 7,0  |
| Отделение за              | -  |
| Продължителност(мин.)     | 15   |
| Тип на прането / Описания | Тип на прането / Описания Можете да използвате тази програма за всякакъв тип пране, ако искате допълнителни стъпки на Центрофугиране след цикъла за пране./ Можете да използвате програмата за източване, за да източите водата, натрупана в машината (добавяне или изваждане на пране). За да активирате програмата за източване, завъртете програматора на програмата за центрофугиране/източване. След като изберете „отмяна на центрофугиране“ с бутона за допълнителни функции, програмата ще стартира. |
| <b>HAND WASH</b>          |  |
| Температура на            | --, 30°  |
| Максимално пране (kg)     | 2,5  |
| Отделение за              | 2  |
| Продължителност(мин.)     | 90   |
| Тип на прането / Описания | Деликатно пране или пране, при което се препоръчва ръчно изпиране.   |
| <b>OUTDOOR</b>            |  |
| Температура на            | --, 30°, 40°   |
| Максимално пране (kg)     | 3,5  |
| Отделение за              | 2  |
| Продължителност(мин.)     | 110  |
| Тип на прането / Описания | Силно замърсени или смесени синтетични тъкани. (Найлонови чорапи, ризи, блузи, синтетика, включително панталони, и др.)  |
| <b>MIX</b>                |  |
| Температура на            | --, 30°, 40°   |
| Максимално пране (kg)     | 3,5  |
| Отделение за              | 2  |
| Продължителност(мин.)     | 105  |
| Тип на прането / Описания | Мръсни памучни, синтетични, цветни и ленени тъкани могат да се перат заедно  |

|                             |   |
|-----------------------------|---|
| <b>JEANS/ DARK GARMENTS</b> |   |
| Температура на              | --, 30°   |
| Максимално пране (kg)       | 3,5   |
| Отделение за                | 2   |
| Продължителност(мин.)       | 96  |
| Тип на прането / Описания   | Черни или тъмни дрехи от памук, смесени влакна или дънки. Перете обърнати. Дънките често съдържат излишно багрило, което може да протече при първите няколко пранета. Перете светлите и тъмните дрехи отделно |
| <b>FAST 60 min (*)</b>      |   |
| Температура на              | --, 30°, 40°, 50°, 60°  |
| Максимално пране (kg)       | 3,0   |
| Отделение за                | 2   |
| Продължителност(мин.)       | 60  |
| Тип на прането / Описания   | Замърсени, памучни, цветни и ленени текстили за пране на 60°C за 60 минути.   |
| <b>RAPID 15 min (**)</b>    |   |
| Температура на              | --, 30°   |
| Максимално пране (kg)       | 2,0   |
| Отделение за                | 2   |
| Продължителност(мин.)       | 15  |
| Тип на прането / Описания   | Можете да перете леко замърсени, памучни, цветни и ленени текстили за кратко време от 15 минути   |

**ЗАБЕЛЕЖКА:** ПРОДЪЛЖИТЕЛНОСТТА НА ПРОГРАМАТА МОЖЕ ДА СЕ ПРОМЕНИ В ЗАВИСИМОСТ ОТ КОЛИЧЕСТВОТО НА ПРАНЕТО, ЧЕШМИЯНАТА ВОДАТА, ОКОЛНАТА ТЕМПЕРАТУРА И ИЗБРАНИТЕ ДОПЪЛНИТЕЛНИ ФУНКЦИИ.

(\*) Ако Вашата машина има допълнителна функция за бързо изпиране и Вие поставите 2 kg или по-малко пране в машината, тя автоматично ще извърши изпирането за 30 минути.

(\*\*) Поради краткото време на пране на тази програма препоръчваме да се използва по-малко препарат. Програмата може да трае по-дълго от 15 минути, ако машината открие неравномерно разпределено пране. Можете да отворите вратата на машината 2 минути след завършване на прането. (2-минутният период не е включен във времетраенето на програмата.)

Програмата Еко 40-60 може да почисти нормално замърсено памучно пране, за което е обявено, че може да се пере при 40°C или при 60°C, заедно в един и същи цикъл, и че тази програма е използвана за оценка на съвместимостта със законодателството на ЕС относно екодизайна.

- Най-ефективните програми по отношение на консумацията на електроенергия са в общи линии тези, които работят при по-ниски температури и по-продължително.
- Зареждането на домакинската пералня до капацитета, указан от производителя за съответните програми, ще допринесе за пестенето на енергия и вода.

- Продължителността на програмата, стойностите на консумацията на електроенергия и на вода може да варират според тежестта и вида на зареждането, избраните допълнителни функции, чешмяната вода и температурата на околната среда.
- Препоръчително е да използвате течен перилен препарат за програмите за пране при ниска температура. Количеството използван перилен препарат може да варира в зависимост от количеството на прането и нивото му на замърсеност. Моля, следвайте препоръките на производителя на перилния препарат относно използваното количество перилен препарат.
- Шумът и остатъчното количество влага се влияят от скоростта на центрофугиране. Колкото по-висока е скоростта на центрофугиране във фазата на центрофугиране, толкова по-силен е шумът и остатъчното количество влага е по-малко.
- Можете да влезете в базата данни на продукта, където се съхранява информация за модела, като сканирате QR кода на енергийния етикет.

| Име на програмата           | Номинална вместимост кг | Енергоконсумация kWh/цикъл |               |               | Продължителност на програмата<br>Часове: Минуты: |               |               | Консумация на вода<br>Литри / цикъл |               |               | Макс. Температура °C |               |               | Остатъчно количество влага %<br>1400 Rpm |               |               |
|-----------------------------|-------------------------|----------------------------|---------------|---------------|--|---------------|---------------|-------------------------------------|---------------|---------------|----------------------|---------------|---------------|--|---------------|---------------|
|                             |                         | Номинална вместимост       | 1/2 зареждане | 1/4 зареждане | Номинална вместимост                             | 1/2 зареждане | 1/4 зареждане | Номинална вместимост                | 1/2 зареждане | 1/4 зареждане | Номинална вместимост | 1/2 зареждане | 1/4 зареждане | Номинална вместимост                     | 1/2 зареждане | 1/4 зареждане |
| Памук 90°C                  | 7                       | 2,22                       |               |               | 03:00  |               |               | 76                                  |               |               | 81                   |               |               | 62%                                      |               |               |
| Памук 60°C                  | 7                       | 1,19                       |               |               | 03:50  |               |               | 52                                  |               |               | 43                   |               |               | 62%                                      |               |               |
| Еко 40-60                   | 7                       | 1,16                       | 0,40          | 0,30          | 03:28  | 02:40         | 02:40         | 38                                  | 30            | 25            | 50                   | 27            | 23            | 62%                                      | 62%           | 62%           |
| Синтетика / спортно облекло | 3,5                     | 0,49                       |               |               | 01:50  |               |               | 44                                  |               |               | 42                   |               |               | 71%                                      |               |               |
| Бъра 60                     | 3                       | 0,99                       |               |               | 01:00  |               |               | 31                                  |               |               | 58                   |               |               | 62%                                      |               |               |
| Памук 20°C                  | 3,5                     | 0,2                        |               |               | 01:36  |               |               | 43                                  |               |               | 20                   |               |               | 62%                                      |               |               |

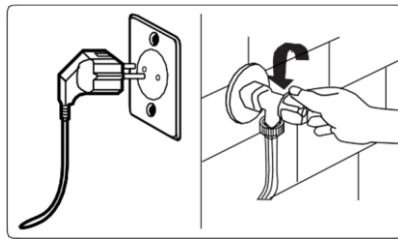
## Х. ПОДДРЪЖКА И ПОЧИСТВАНЕ НА МАШИНАТА

### ПРЕДУПРЕЖДЕНИЕ

Изключете машината преди поддръжка и почистване.

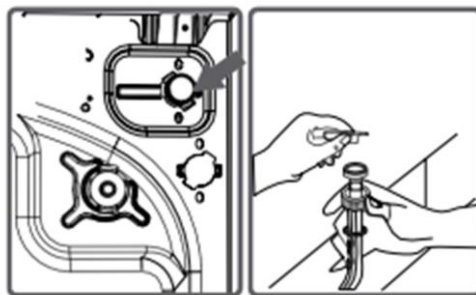
Спрете крана за вода преди поддръжка и почистване.

**ВНИМАНИЕ:** Частите на машината могат да се повредят, ако използвате почистващи препарати с разтворители. Не използвайте почистващи препарати с разтворители.



### ФИЛТРИ НА ВХОДОВЕТЕ ЗА ВОДА

Филтрите служат да предотвратят проникване на чужди вещества от водата в машината и се предлагат от двете страни - при крана и в края на водния клапан в маркуча за вода на машината. Ако машината не може да налее достатъчно количество вода, въпреки че кранът е отворен, означава, че филтрите са замърсени. (Препоръчва се да почиствате филтъра на помпата веднъж на 2 месеца).



1. Разединете маркучите за подаване на вода.
2. Извадете филтрите от клапана на входа за вода като използвате пинсети и след това ги почистете с четка и вода.
3. Разглобете филтрите от страната на крана на входа за подаване на вода ръчно и ги почистете.
4. След като почистите филтрите можете да ги поставите обратно на място.

### ВНИМАНИЕ:

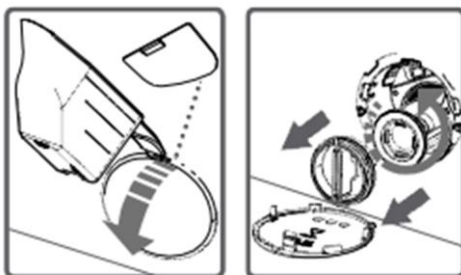
Филтрите на клапаните на входа за подаване на вода могат да се задръстят поради замърсявания на крана или липса на необходимата поддръжка на клапаните. Това може да доведе до повреда, предизвикваща течове в машината.

### ФИЛТЪР НА ПОМПАТА

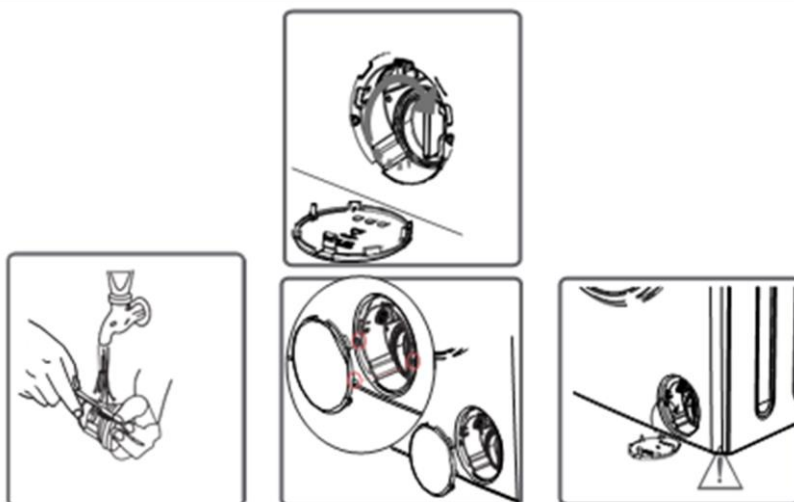
Филтърната система за предотвратяване на проникването в помпата на нишки от прането и други малки материяли по време на източване на водата при края на прането удължават експлоатационния живот на помпата. Препоръчва се да почиствате филтъра на помпата веднъж на 2 месеца. За да почистите филтъра на помпата:

- За да отворите капака на помпата, можете да използвате шпаклата за прах за пране или пластината за ниво на течния препарат, които се доставят с машината.
- Поставете крайната точка на пластмасовата част в процеп на капака на помпата и притиснете назад. Това води до отваряне на капака.
- Преди да отворите капака на филтъра поставете съд пред него, за да предотвратите изтичане на вода на останалата в машината вода.
- Разхлабете капака на филтъра в обратна на часовниковата стрелка посока и след това излейте водата.

Забележка: Възможно е да се наложи да изпразните съда за събиране на вода няколко пъти, в зависимост от количеството на водата в машината.



- Почистете чуждите тела от филтъра с четка.
- След като почистите филтъра, поставете капака му и затегнете като го завъртите по посока на часовниковата стрелка.
- При затваряне на капака на помпата се уверете, че частите от вътрешната страна на капка съвпадат с отворите в предния панел.
- Върнете на място капака на помпата в обратен ред на разглобяването



**Тъй като водата в помпата може да бъде гореща, е необходимо да изчакате, докато се охлади.**

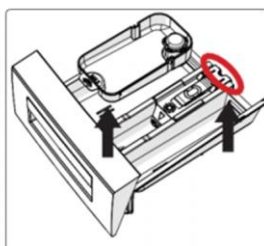
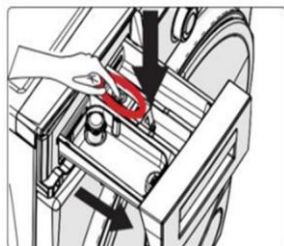
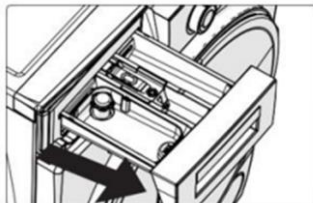
#### **ЧЕКМЕДЖЕ ЗА ПРЕПАРАТ**

Препаратите могат да се натрупат в отделението за препарат и корпуса в течение на времето. За да почистите остатъците, разглобявайте и почиствайте отделението за препарати през определени периоди. Препоръчваме да почиствате филтъра на помпата на всеки 2 месеца.



За да извадите чекмеджето за препарати:

- Издърпайте докрай чекмеджето за препарати.
- Продължавайте да дърпате и натиснете показаната по-долу зона в чекмеджето за препаратите. След което извадете чекмеджето.

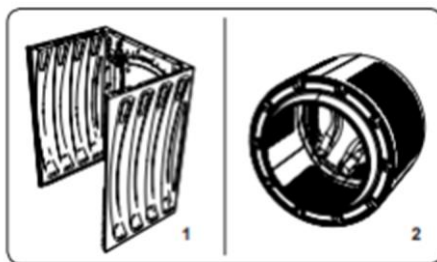


- - Измийте го с помощта на четка.
- Съберете остатъците в корпуса на чекмеджето и ги изхвърлете.
- Сглобете чекмеджето за препарат след подсушаване, като използвате кърпа за подсушаването му.

#### Апарат за течни препарати

Извадете апарата за ниво на течните перилни препарати за почистване както е показано на илюстрацията и почистете добре остатъците от препарати. Поставете апарата обратно на място. Уверете се, че сте отстранили всички остатъци.

Спецификациите на машината могат да се различават в зависимост от закупения продукт.



#### 1. Корпус

Използвайте меко неабразивно почистващо средство или сапун и вода за почистване на външния корпус. Избършете с мека кърпа.

#### 2. Барабан

Не оставяйте в машината метални предмети, като игли, кламери, монети и др. Тези предмети водят до формиране на ръжда по барабана. За да почистите петната от ръжда, използвайте нехлорен почистващ препарат и следвайте инструкциите на производителя му. Никога не използвайте тел или други подобни твърди предмети за почистване на петна от ръжда.

## XI. ОТСТРАНЯВАНЕ НА НЕИЗПРАВНОСТИ

Всички ремонти трябва да се извършват от упълномощен сервиз. Ако машината изисква ремонт или не можете да остраните неизправност с помощта на следната информация:

- Изключете машината.
- Спрете водата.

| НЕИЗПРАВНОСТ                | ВЪЗМОЖНА ПРИЧИНА                             | ОТСТРАНЯВАНЕ НА НЕИЗПРАВНОСТИ  |
|-----------------------------|--|--|
| Машината не стартира.       | Машината не е включена в контакта.           | Включете машината.   |
|                             | Предпазителите са повредени.                 | Сменете предпазителите.  |
|                             | Няма електрозахранване.                      | Проверете дали има ток.  |
|                             | Не е натиснат бутон за стартиране/пауза.     | Натиснете бутон за стартиране/пауза.                                     |
|                             | Позиция „Стоп“ на програматора.              | Завъртете програматора на желаната позиция.                              |
|                             | Вратата на машината не е напълно затворена.  | Затворете вратата на машината.   |
| Машината не налива вода.    | Водата е спряна от крана.                    | Пуснете крана.   |
|                             | Възможно усукване на маркуча за вода.        | Проверете маркуча за подаване на вода и отстранете усукването.           |
|                             | Задръстване на маркуча за вода.              | Почистете филтрите на маркуча за вода. (*)                               |
|                             | Задръстен входен филтър.                     | Почистете входните филтри. (*)   |
|                             | Вратата на машината не е напълно затворена.  | Затворете вратата на машината.   |
| Машината не източва водата. | Запушен или усукан маркуч за източване.      | Проверете маркуча за източване и го почистете или отстранете усукването. |
|                             | Задръстен филтър на помпата.                 | Почистете филтъра на помпата. (*)  |
|                             | Прането е поставено твърде сбито в барабана. | Разпределете равномерно прането в машината.                              |

| НЕИЗПРАВНОСТ   | ВЪЗМОЖНА ПРИЧИНА   | ОТСТРАНЯВАНЕ НА НЕИЗПРАВНОСТИ   |
|--|--|---|
| Машината вибрира.  | Крачетата не са били регулирани.   | Регулирайте крачетата. (**)   |
|  | Транспортните болтове, поставени за транспортиране, не са били отстранени. | Отстранете транспортните болтове от машината. (**)  |
|  | Малко количество пране в барабана.   | Това не води до блокиране на работата на машината.  |
|  | Машината е претоварена с пране или прането е разпределено неравномерно.    | Не претоварвайте барабана. Разпределете прането равномерно в барабана.  |
|  | Машината е поставена върху твърда повърхност.                              | Не поставяйте пералната машина на твърда повърхност.  |
| В чекмеджето за препарат се формира твърде много пяна.       | Използвано е твърде голямо количество препарат.                            | Натиснете бутона за стартиране/пауза. За да спрете пяната, разрежете една лъжица омекотител в 1/2 литър вода и го изсипете в чекмеджето за препарат. Натиснете бутона за стартиране/пауза след 5-10 минути. |
|  |  | Използвайте само препарати за автоматични перални машини.   |
| Незадоволителен резултат при пране.                          | Прането е прекалено замърсено за избраната програма.                       | Използвайте информацията в таблиците за програми за избор на най-подходящата програма.  |
|  | Използвано е недостатъчно количество препарат.                             | Използвайте количеството препарат, посочено на опаковката.  |
|  | В машината има прекалено много пране.                                      | Проверете дали максималният капацитет за избраната програма не е бил надвишен.  |
| Незадоволителен резултат при пране.                          | Твърда вода.   | Увеличете количеството препарат, като спазвате инструкциите на производителя.   |
|  | Прането е поставено твърде сбито в барабана.                               | Проверете дали прането е добре разпределено.  |
| Водата се източва непосредствено след постъпване в машината. | Краят на маркуча за вода е твърде ниско за позицията на машината.          | Проверете дали маркучът за източване е на подходяща височина. (**)  |
| По време на прането в барабана няма вода.                    | Няма неизправност. В барабана няма вода.                                   | .....   |

| НЕИЗПРАВНОСТ   | ВЪЗМОЖНА ПРИЧИНА  | ОТСТРАНЯВАНЕ НА НЕИЗПРАВНОСТИ  |
|--|---|--|
| По прането има остатъци от препарат.   | Неразтворимите частици на някои препарати може да се появят по прането като бели петна. | Изпълнете допълнително изплакване или почистете прането с четка, след като изсъхне.  |
| По прането остават сиви петна.   | Това е необработено масло, крем или мазило по прането.                                  | Използвайте количеството препарат, посочено на опаковката, за следващото пране.  |
| Цикълът на центрофугиране не се извършва или се извършва по-късно от очакваното. | Няма неизправност. Активирана е системата за управление на небалансирано натоварване.   | Системата за управление на небалансирано натоварване ще опита да разпредели прането равномерно. Цикълът на центрофугиране ще започне след разпределяне на прането. Заредете барабана равномерно за следващото пране. |

## XII. КАКВО ТРЯБВА ДА НАПРАВИТЕ

Машината е оборудвана със системи, които могат да вземат необходимите предпазни мерки и да ви предупредят в случай на неизправност с помощта на непрекъсната самодиагностика по време на пране.

| КОД ЗА НЕИЗПРАВНОСТ | ВЪЗМОЖНА НЕИЗПРАВНОСТ   | КАКВО ТРЯБВА ДА НАПРАВИТЕ  |
|---------------------|---|--|
| E01                 | Вратата на машината не е затворена правилно.  | Затворете вратата правилно, докато чуете изщракване. Ако машината продължава да показва неизправност, я изключете и извадете щепсела от контакта. Свържете се с най-близкия упълномощен сервизен представител незабавно.                                       |
| E02                 | Налягането на водата или нивото на водата в машината може да е ниско.                                   | Проверете дали кранът е напълно отворен. Възможно е прекъсване на водоподаването. Ако проблемът не бъде отстранен, машината ще спре автоматично. Изключете машината от контакта, спрете крана и се обърнете към най-близкия упълномощен сервизен представител. |
| E03                 | Неизправна помпа или запушен филтър на помпата, или неизправност в електрическото свързване на помпата. | Почистете филтъра на помпата. Ако проблемът не бъде отстранен, се обърнете към най-близкия упълномощен сервизен представител. (*)  |
| E04                 | В машината има твърде много вода.   | Машината ще източи водата сама. След като водата се източи, изключете машината от бутона на контакта. Затворете крана и се обърнете към най-близкия упълномощен сервизен представител.   |

## СЕРВИЗ И ОБСЛУЖВАНЕ НА КЛИЕНТИ

Използвайте само оригинални резервни части.

Когато се свързвате с нашия оторизиран сервизен център, уверете се, че имате под ръка следната информация: Наименование на модела и сериен номер.

Информацията може да бъде намерена на табелката с технически данни. Те подлежат на промяна без предварително уведомление.

## ТЕХНИЧЕСКИ ДАННИ

Техническата информация се намира на табелката с технически данни на уреда и на енергийния етикет.

QR кодът на енергийния етикет, предоставен заедно с уреда, предлага уеб връзка към информацията в базата данни на EPREL относно постиженията на уреда.

Запазете енергийния етикет за бъдещи справки, заедно с ръководството за употреба и с всички други документи, предоставени заедно с този уред.

Също така, можете да намерите същата информация в базата данни на EPREL, като използвате връзката <https://eprel.ec.europa.eu> и наименованието на модела и серийния номер на продукта, които можете да намерите на табелката с технически данни на уреда.

**За достъп до информация за вашия продукт в портала EPREL можете да сканирате кодовете по-долу:**



Благодарим ви, че закупихте този продукт! Ако имате нужда от помощ във връзка с вашия продукт, посетете нашия уебсайт, като използвате връзките по-долу:

Получете ръководства за употреба: <https://www.heinner.ro>  
Получете информация относно ремонтите: <https://www.heinner.ro>



**Изхвърляне на отпадъците по начин, отговорен за околната среда**

Можете да помогнете за опазването на околната среда!

Моля спазвайте местните разпоредби: Предайте нефункциониращото електрическо оборудване на център за събиране на отпадъци от електрическо оборудване.



**HEINNER** е регистрирана марка на компанията **Network One Distribution SRL**. Останалите търговски марки и наименованията на продуктите са търговски марки или регистрирани търговски марки на съответните им притежатели.

Нито една част от спецификациите не може да бъде възпроизвеждана под каквато и да е форма или средство, или използвана за получаване на производни като преводи, трансформации или адаптации, без предварителното съгласие на компанията NETWORK ONE DISTRIBUTION.

Copyright © 2013 Network One Distribution. Всички права запазени.

[www.heinner.com](http://www.heinner.com), <http://www.nod.ro>  
<http://www.heinner.com>, <http://www.nod.ro>



Този продукт е проектиран и произведен в съответствие със стандартите и нормите на Европейската общност.

Вносител: **Network One Distribution**

ул. Марчел Янку № 3-5, Букурещ, Румъния

Тел.: +40 21 211 18 56, [www.heinner.ro](http://www.heinner.ro), [www.heinner.com](http://www.heinner.com)



# HEINNER

## AUTOMATA MOSÓGÉP Modell: HWM-VT1710KD++



- Automata Mosógép
- Mosási kapacitás: 7 kg
- Centrifuga fordulatszáma: 1000 rpm
- Energiahatékonysági besorolás: D



Köszönjük, hogy ezt a terméket választotta!

## II. BEVEZETÉS

**A készülék használata előtt olvassa el figyelmesen a használati kézikönyvet, és őrizze meg későbbi tanulmányozásra.**

A kézikönyvet azért szerkesztettük, hogy rendelkezésére bocsássunk a készülék üzembe helyezésére, használatára és karbantartására vonatkozó minden szükséges utasítást a.

A készülék helyes és biztonságos használata érdekében, az üzembe helyezés és használat előtt kérjük, olvassa el figyelmesen a használati kézikönyvet.

## III. AZ ÖN CSOMAGJÁNAK TARTALMA



- Mosó- és Szárítógép
- Használati kézikönyv
- Garancialevél

### III. BIZTONSÁGI INTÉZKEDÉSEK

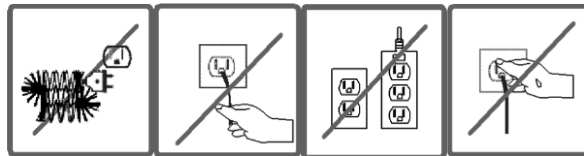
1. A mosógépet háztartási használatra tervezték. Kereskedelmi célú használata a gyártói garancia elvesztésével jár.
2. Tartsa távol háziállatait a készüléktől.
3. Üzembe helyezés előtt ellenőrizze a készülék csomagolását, illetve a csomagolás eltávolítása után a készülék külsejét. Ne használja a sérült készüléket vagy a megbontott csomagolású készüléket.
4. Az üzembe helyezést csak a hivatalos márkaszerviz végezheti el. A készüléken végzett bármilyen, nem a hivatalos szerviz által végzett beavatkozás a garancia elvesztésével járhat.
5. A készülék nem alkalmas csökkent fizikai, érzékszervi vagy mentális képességű, illetve megfelelő tapasztalat és tudás nélküli emberek (beleértve a gyerekeket) által történő használatra, hacsak nem felügyelik tevékenységüket, vagy nem kaptak a készülék használatára vonatkozó útmutatásokat a biztonságukért felelős személytől. Felügyeljen a gyerekekre, hogy ne játsszanak a készülékkel.
6. Csak olyan ruhaneműk mosásához használja a mosógépet, amelyek a gyártójuk szerint moshatók mosógépben.
7. A készülék használata előtt távolítsa el a mosógép hátuljáról a szállításhoz használt 4 db rögzítő csavart és gumi távolságtartót. Ha a csavarokat nem távolítja el, az nagyfokú vibrációt, zajt és a készülék hibás működését (garancia elvesztését) okozhatja.
8. A készülék jóállása nem terjed ki a külső körülmények (rovarirtó szerek, tűz, stb.) okozta hibákra.
9. Kérjük, ne dobja el ezt a használati útmutatót; tartsa meg az esetleges későbbi tájékozódáshoz. Önnek vagy másnak szüksége lehet rá a jövőben.
10. Megjegyzés: A készülék műszaki jellemzői eltérőek lehetnek a megvásárolt terméktől függően.
11. A készülék ideális működéséhez szükséges környezeti hőmérséklet: 15-25°C.
12. Az elfagyott csövek szétrepedhetnek és szétduzzanhatnak. Azokon a területeken, ahol a hőmérséklet nulla fok alatti, a környezeti hőmérséklet veszélyeztetheti az elektronikus panel biztonságos működését.
13. Győződjön meg róla, hogy a mosógépbe helyezett ruhaneműk zsebeiben nincsenek idegen tárgyak (szögek, tű, érmék, öngyújtó, gyufa, csipesz, stb.). Ezek az idegen tárgyak tönkre tehetik
- 14. Ajánlott az első mosási műveletet 90°C-on, pamut programmal, mosnivaló betöltése nélkül, a mósószer adagoló fiók 2. Rekeszébe fél adag mósószer betöltésével elvégezni.**
15. Ha a mósószer vagy az öblítő hosszú ideig áll a levegőn, leülepedhet. Ezért ajánlott a mósószer vagy az öblítőt csak az egyes mosások előtt betölteni a mósószer adagoló fiókba.
16. Ha hosszú ideig nem használja a mosógépet, ajánlott kihúzni az elektromos hálózatból és elzárni a vízcsapot. Az ajtó nyitva hagyásával megakadályozhatja a nedvesség miatt esetlegesen kialakuló rossz szagokat.
17. A minőség ellenőrzési vizsgálatok keretében elvégzett tesztek és próbák miatt némi víz lehet a mosógépben. Ez nem károsítja a készüléket.
18. Ne feledje, hogy mosógép csomagolóanyagaa veszélyes lehet a gyerekekre. Tartsa a csomagolóanyagokat olyan helyen, ahol gyerekek nem férhetnek hozzá, vagy dobja ki őket.
19. A dokumentációhoz mellékelt kisebb elemeket tartsa gyerekek és kisbabák által el nem érhető helyen.
20. Az előmosás programokat csak erősen szennyezett ruhaneműkhöz használja.
21. A készülék működése közben soha ne nyissa ki a mósószer adagolót. Bármilyen rendellenesség eseté először húzza ki a készülék tápcsatlakozóját, majd ezután zárja el a vízcsapot. Soha ne próbálja meg maga megjavítani a mosógépet, mindig forduljon a hivatalos márkaszervizhez.
22. A liszttel szennyezett anyagok károsíthatják a berendezést.
23. A textilöblítőszer és egyéb készítmények alkalmazásával kapcsolatban kövesse a gyártó utasításait.
24. Győződjön meg róla, hogy a mosógép ajtaja akadálytalanul és teljes mértékben nyitható.
25. Olyan helyen üzemeltesse a berendezést, ahol a szellőzés teljes mértékben biztosított, és folytonos levegőellátás áll rendelkezésre.

### ÉGÉSI SÉRÜLÉS VESZÉLYE!

A víz mosógépből történő kiszivattyúzásokor ne érjen a kiömlőcsőhöz vagy a vízhez, mivel

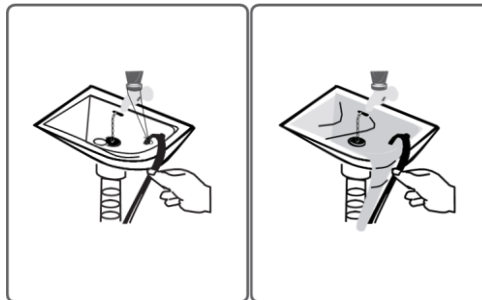
### HALÁLOS ÁRAMÜTÉS VESZÉLYE!

1. Ne használjon többszörös elosztókat vagy hosszabbítókat.
2. Ne dugja be a készülék csatlakozóját, ha sérült.
3. Soha ne húzza ki a csatlakozót a kábelnél fogva – mindig a tápcsatlakozót fogva húzza ki a készüléket.
4. Az áramütés elkerülése érdekében soha ne húzza ki vagy dugja be a csatlakozót nedves kézzel!!
5. Soha ne érjen a készülékhez nedves kézzel vagy lábbal.
6. Sérült tápvezeték esetén cseréért hívja a legközelebbi hivatalos márkaszervizt.



### TÚLFOLYÁS VESZÉLYE!

1. Ellenőrizze, hogy a víz kellő gyorsasággal lefolyik-e, mielőtt a kifolyócsövet a mosdőba helyezi.
2. Tegye meg a szükséges lépéseket, hogy a cső ne csússzon el.
3. A cső visszarugó ereje elmozdíthatja a nem megfelelően rögzített csövet. Vigyázzon, hogy a mosdókagyló dugója ne dugaszolja el a lefolyót.



### Tűzveszély!

1. Ne tartson gyúlékony folyadékokat a mosógép közelében.
2. A festékoldó szerek kénes összetevői korróziót okozhatnak. Ezért soha ne használjon festékoldókat a mosógépben.
3. Soha ne használjon oldószereket tartalmazó anyagokat (például mosógázt) a mosógépben.
4. Távolítsa el minden tárgyat a mosnivaló ruhák zsebeiből (tű, gemkapocs, öngyújtó, gyufa, stb.), amikor a gépbe helyezi azokat.

**Tűz és robbanásveszély keletkezhet.**

### FELBORULÁS ÉS SÉRÜLÉS VESZÉLYE!

1. Ne másszon fel a készülékre! A készülék teteje eltörhet és Ön megsérülhet.
2. Üzembe helyezéskor gondosan helyezze el a csövet, a kábelt és a csomagoló anyagokat. Ellenkező esetben megbotolhat bennük és eleshet.
3. Ne fordítsa a készüléket fejjel lefelé, vagy az oldalára.
4. Ne emelje meg a készüléket a kilógó részeknél (mosószer adagoló fiók, ajtó) fogva. Ezek a részek letörhetnek és Ön megsérülhet.
5. Ha az olyan részeket, mint a cső vagy a kábel nem megfelelően rendezte el a készülék üzembe helyezését követően, fennáll a megbotlás és sérülés veszélye.

**A gépet 2 vagy több személy emelje meg.**

### **GYERMEKEK BIZTONSÁGA!**

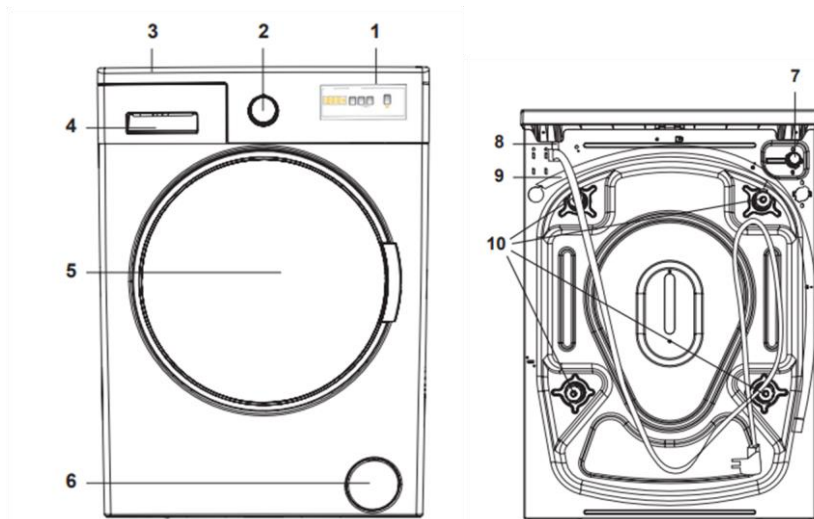
1. Ne hagyjon gyerekeket felügyelet nélkül a gép közelében. A gyerekek bezárhatják magukat a készülékbe és halálos sérülést szenvedhetnek.
2. A gép használata közben az ajtó üvege és felülete rendkívüli módon felmelegedhet. Ezért a készülék megérintésével a gyermekek bőre megsérülhet.
3. Minden csomagolóanyagot tartson távol a gyermekektől.
4. Mosószer vagy a karbantartáshoz használt anyagok lenyelésekor mérgezés történhet, illetve szembe vagy bőrre kerülésükkor irritációt okozhatnak. A tisztítószereket tartsa távol a gyerekektől

### **GAZDASÁGOS HASZNÁLAT**

Néhány fontos tanács a készülék gazdaságosabb használatához:

A mosógépbe helyezett mosnivaló mennyisége soha ne lépje túl a megadott legnagyobb töltetet. Így készüléke gazdaságosan üzemelhet. Ha nem használja az előmosás funkciót a kevésbé, vagy normál mértékben szennyezett mosnivalókhöz, azzal elektromosságot és vizet takaríthat meg.

## IV. ÁLTALÁNOS MEGJELENÉS

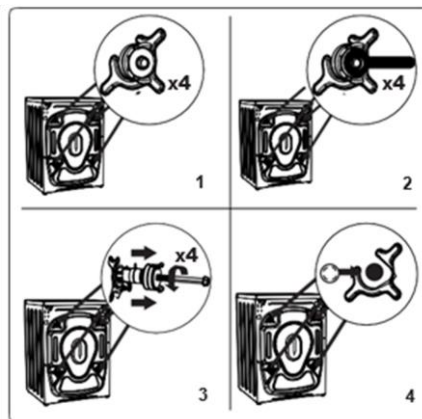


1. Digitális kijelző
2. Programválasztó
3. Felső tálca
4. Mosószer-adagoló fiók
5. Dob
6. Szivattyúszűrő-fedél
7. Vízbeeresztő szelep
8. Hálózati kábel
9. Vízleeresztő tömlő

## V. ÜZEMBE HELYEZÉS

### SZÁLLÍTÁSHOZ HASZNÁLT CSAVAROK ELTÁVOLÍTÁSA

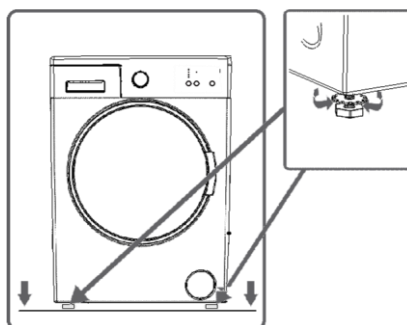
6. A készülék használata előtt távolítsa el a mosógép hátuljáróla szállításhoz használt 4 db rögzítő csavart és gumi távolságtartót. Ha a csavarokat nem távolítja el, az nagyfokú vibrációt, zajt és a készülék hibás működését (a garancia elvesztését) okozhatja.
7. Ezért a szállításhoz használt rögzítő csavarokat ki kell tekerni egy erre alkalmas csavarkulccsal, órajárásával ellentétes irányba tekerve őket.
8. A szállításhoz használt csavarokat kihúzva el kell távolítani a készülékből.
9. Illessze a tartozékok zsákba csomagolt műanyag csavar fedőket az eltávolított rögzítő csavarok helyére.
10. Tegye el a szállításhoz használt rögzítő csavarokat egy esetleges jövőbeli szállításhoz.



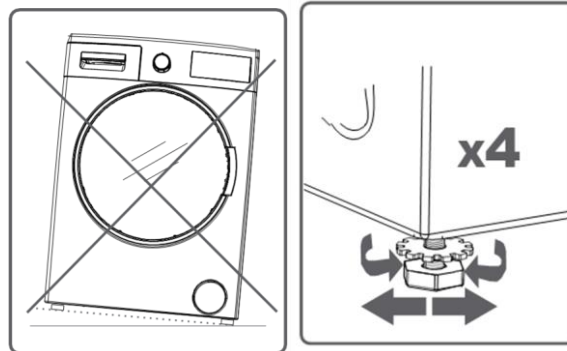
**MEGJEGYZÉS:** Az első használat előtt teljesen ki kell venni a mosógépből a szállításhoz használt rögzítőcsavarokat. A gépbe rögzített szállítási csavarokkal történő használatból eredő meghibásodásra nem terjed ki a készülék jótállása.

#### Az állítható lábak beállítása

Ne helyezze a mosógépet szőnyegre vagy más olyan felületre, ami megakadályozhatja a készülék aljának szellőzését. A készülék csendes és vibráció mentes működése érdekében a mosógépet csúszásmentes és szilárd felületen kell elhelyezni. A készülék egyensúlyát a lábak segítségével állíthatja be. Lazítsa meg a műanyag állító anyát.



Állítsa be a lábakat lefelé, illetve felfelé történő elforgatásukkal. Miután beállította vízszintesre a készüléket, felfelé tekerve szorítsa meg újból a műanyag anyát. A padló egyenetlenségeinek kiküszöböléséhez soha ne tegyen kartont, fát vagy hasonló anyagot a mosógép alá. A mosógép alatti talaj tisztításakor ügyeljen rá, hogy ne állítsa el a lábakat



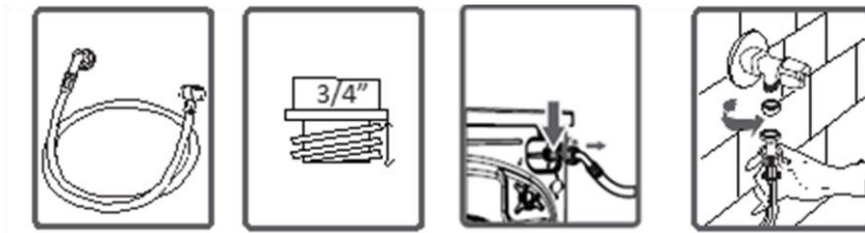
### ELEKTROMOS CSATLAKOZTATÁS

- A mosógép 220-240 V és 50 Hz használatára van beállítva.
- Mosógépe hálózati tápkábele földelt aljzattal szerelt. Ezt a csatlakozót mindig egy 10 amperes földelt aljzathoz csatlakoztassa. A biztosíték feszültség értékének 10 ampernek kell lennie.
- Az ehhez a tápcsatlakozóhoz csatlakoztatott elektromos vezeték biztosítékának feszültség értékének szintén 10 ampernek kell lennie. Ha nincs ennek megfelelő dugaszaljzata és biztosítóka, kérjük, egy képzett villanyszerelővel végeztesse el a munkát.
- Nem vállalunk felelősséget a földetlen használatból eredő károkért.

**MEGJEGYZÉS: A készülék alacsony feszültségen történő használatával csökken a készülék élettartama és teljesítménye korlátozott lesz.**

### VÍZBEVEZETŐ CSŐ CSATLAKOZTATÁSA

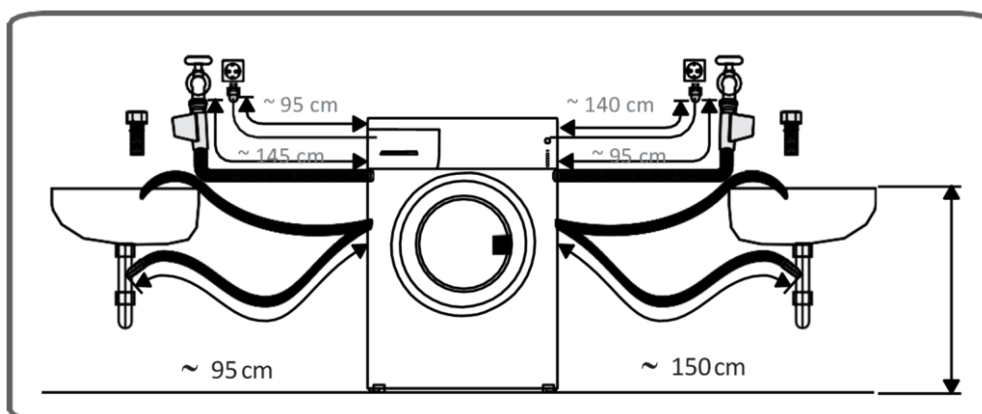
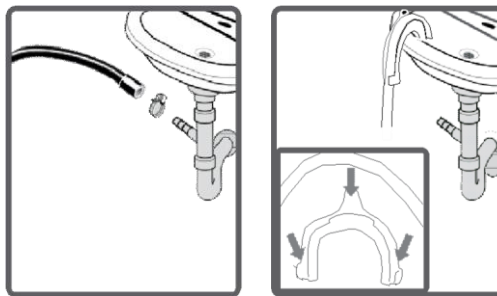
- Az Ön készüléke műszaki jellemzőitől függően rendelkezhet egyetlen befolyócsővel (hideg) vagy dupla víz befolyócsővel (hideg/meleg).
- A fehér végződésű csövet a hideg vizes bemenethez és a piros végződésű csövet a meleg vizes bemenethez kell csatlakoztatni (két víz bemenettel rendelkező modellek esetén).
- A csatlakoztatás helyén történő vízszivárgás megakadályozása érdekében 1 vagy 2 anyát talál a cső mellé csomagolva (két víz bemenettel rendelkező modellek esetén). Erősítse ezeket az anyákat a csap oldalán lévő új vízbevezető cső végeire.
- Szerelje fel az új vízbevezető csövet egy  $\frac{3}{4}$ ''-es, menetes csapra.
- Csatlakoztassa a vízbevezető cső fehér-könyök végét a fehér-szűrős víz bemeneti szelephez a gép hátoldalán és a piros-könyök végét a pirosszűrőjűhöz (két víz bemenettel rendelkező modellek esetén). Szorítsa meg a csatlakozás műanyag részeit a kezével. Ha bizonytalan a dolgában, a csatlakoztatásokat végeztesse el egy szakképzett vízvezeték szerelővel.
- 0,1-1 MPa nyomású vízár a mosógép hatékonyabb működését teszi lehetővé. (0,1 MPa nyomás azt jelenti, hogy több mint 8 liter víz folyik át a teljesen kinyitott csapon egy perc alatt.)
- A bekötések elvégzése után a csap teljes kinyitásával.
- Győződjön meg róla, hogy az új víz beömlőcsövek nincsenek megtörve, eltörve, összenyomva és méretük megfelelő. Ha készüléke két víz bemenettel rendelkezik, a meleg víz bemenet maximális hőmérséklete 70°C lehet



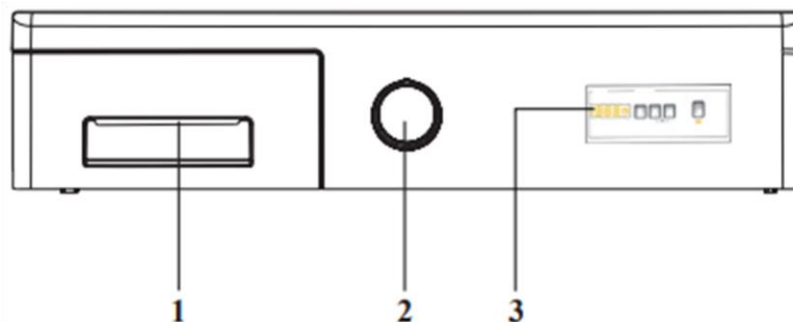
**Megjegyzés:** Csak a készülékhez mellékelt új vízbevezető csövet használja a mosógép bekötéséhez. Soha ne használjon régi, használt vagy sérült vízbevezető csöveket.

### VÍZ KIFOLYÓCSŐ CSATLAKOZTATÁSA

- A víz kifolyócső vége közvetlenül csatlakoztatható egy kötéssel egy csatorna kiálláshoz vagy egy mosogató idomhoz.
- Soha se próbálja meg toldásokkal meghosszabbítani a kifolyócsövet.
- Ne tegye a mosógép víz kivezető csövet tartályba, vödörbe vagy mosdókagylóba.
- Győződjön meg róla, hogy a víz kivezető cső nincs megtörve, behorpadva, összenyomva vagy kinyúlva. Vegye figyelembe:
- A víz kivezető csövet a padlótól minimum 60 és maximum 100 cm közötti magasságba kell felszerelni.

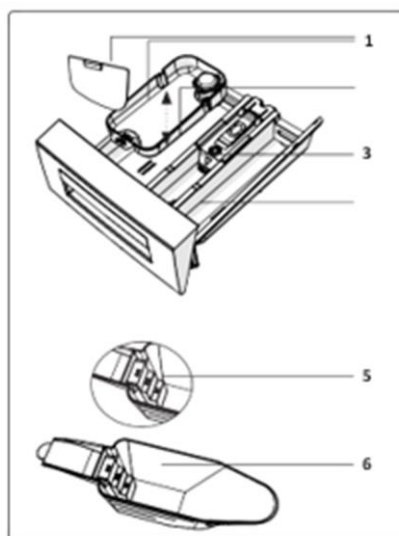
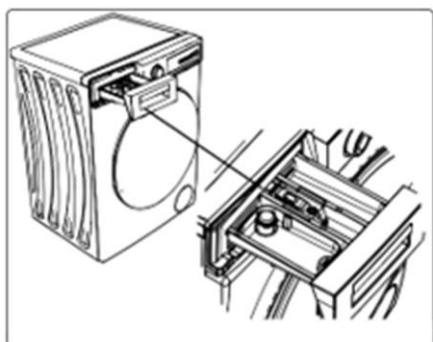






1. Mosószer-adagoló fiók
2. Programválasztó
3. Digitális kijelző

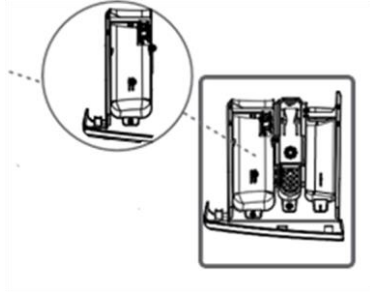
Használhatja a folyadékszint meghatározása lemezt, ha a ruhaneműket folyékony mosószerrel kívánja kimosni. Használhatja a folyékony mosószer minden program előmosás nélkül. Helyezzük a folyékony mosószer apparátus, a második rekesz (ami elérhető a készülék belsejében) a mosószer fiókot és állítsa be a mosószer összeget. (Használja az ajánlott mennyiségű folyékony mosószer mosószer termelők). Ne töltse a MAX jelzésen túl, csak folyékony mosószerrel használja, ne használja mosóporral és mosóporral történő mosáskor vegye ki a készülékből.)



1. Tartozékok folyékony mosószerhez
2. Főmosás mosószer-adagoló rekesz
3. Öblítő rekesz
4. Előmosás mosószer-adagoló rekesz
5. Mosópor szint
6. Mosópor-adagoló mérőkanál

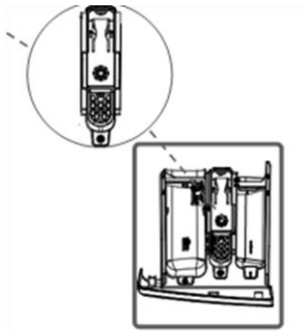
**Főmosás mosószer tárolója:**

Ebbe a rekeszbe csak mosószert (por vagy folyékony), vízlágyítót vagy hasonló anyagot töltsön.



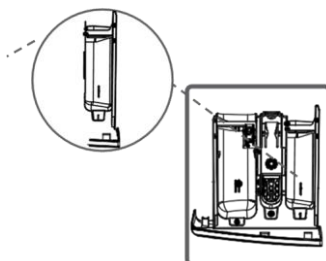
**Öblítőszer, keményítő, mosószer rekesz:**

A mosáshoz használhat öblítőt (a gyártó által ajánlott mennyiséget és típust). Néha a használt öblítő visszamaradhat ebben a rekeszben. Ennek az az oka, hogy az öblítő nem elég viszkózus. Ennek megakadályozására nagyobb viszkózitású folyékony öblítőt ajánlott használni, vagy az öblítőt hígítani lehet a használat előtt.



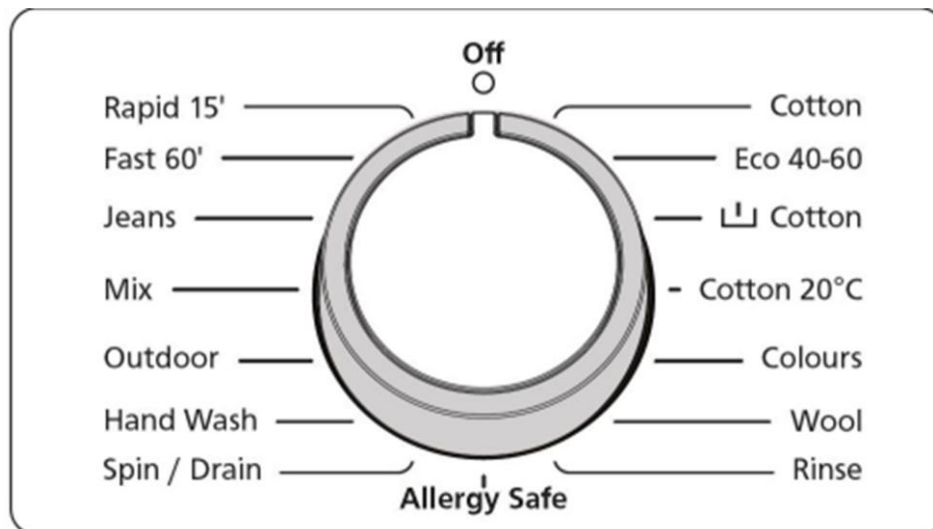
**Előmosás mosószer rekesze:**

Ezt a rekeszt csak az előmosás program választásakor használja. Az előmosás program csak erősen szennyezett ruhákhoz ajánlott.

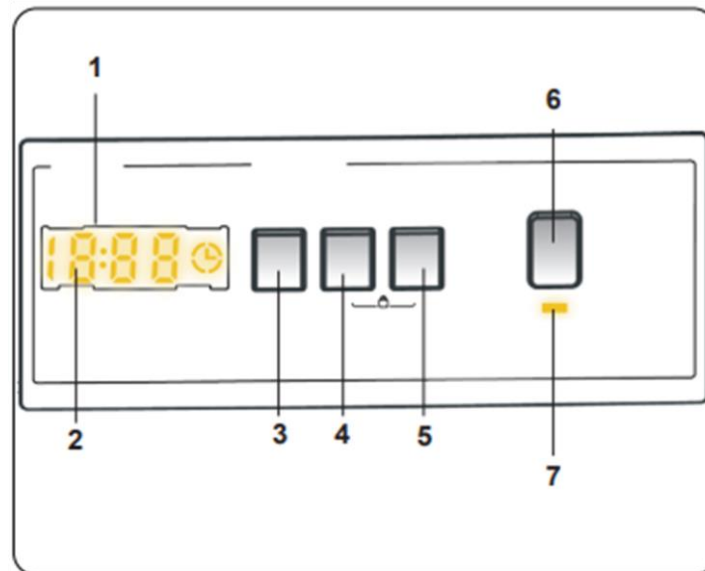


## VI. PROGRAMKAPCSOLÓ TÁRCSA

A programkapcsoló tárcsával kiválaszthatja a ruhák mosásához használni kívánt programot. Kiválaszthatja a kívánt programot a programtárcsa bármely irányba való elforgatásával. Győződjön meg róla, hogy a programtárcsa pontosan a kívánt programon áll.



## VII. DIGITÁLIS KIJELEZŐ



1. Digitális kijelző
2. Elektronikus kijelző
3. Vízhőmérséklet-szabályozó gomb
4. Centrifugálási sebesség beállító gomb
5. Késleltetett indítás kiegészítő funkció
6. Indítás/Szünet gomb
7. Indítás/Szünet visszajelző

A kijelzőpanelen látható a késleltetési idő (ha be lett állítva), a választott hőmérséklet, a centrifugálási sebesség valamint az esetleges kiegészítő funkciók. A kijelzőpanelen az „End” jelzés jelenik meg, amikor a kiválasztott program véget ér.

A kijelzőpanelen a gép esetleges hibajelzései is láthatók.

## VIII. MOSÁS ELŐTTI TEENDŐK

**A MOSNIVALÓ SZÉTVÁLOGATÁSA**

- A ruhák címkéje tartalmazza a mosásra vonatkozó információkat. Mossa és szárítsa a ruhákat a címkén levő utasításoknak megfelelően.
- Válogassa szét a ruhákat típus (pamut, műszál, kényes, gyapjú, stb.), mosási hőmérséklet (hideg, 30°, 40°, 60°, 90°) és a szennyezettség foka (kevésbé szennyes, szennyes, nagyon szennyes) szerint.
- Soha se mossa együtt a színes és a fekete ruháit.
- Első mosásukkor a színes ruhaneműket mossa külön, mert engedhetnek.
- Győződjön meg róla, hogy a mosnivaló ruhákon és zsebeikben nincsenek fém tárgyak. Ha talál ilyeneket, vegye le őket.



**FIGYELMEZTETÉS:** A gépbe került idegen tárgyak okozta sérülésekre nem terjed ki a gép jótállása.

- A mosnivaló ruhák zipzáriját húzza össze, a gombjaikat gombolja be.
- Vegye ki a fém vagy műanyag akasztókat a (tüll) függönyökből, vagy a függönyöket helyezze mosózsákba és kösse össze a zsák száját.
- Fordítsa ki az olyan mosnivalókat, mint nadrágok, kötött ruhák, pólók, melegítők. Zoknikat, zsebkendőket és hasonló kisebb mosnivalókat mossa mosózsákban

**A MOSNIVALÓ GÉPBE TÖLTÉSE**

- Nyissa ki a mosógép ajtaját.
- Tegye a mosnivalót a gépbe.

**MEGJEGYZÉS:** A betölthető maximális töltet függ a mosnivaló típusától, szennyezettségének fokától és a kiválasztott programtól. Ne lépje túl a mosási programok táblázatában jelzett maximális töltet tömeget.

Példaként figyelembe veheti az alábbi táblázatban megjelölt tömegeket:

| MOSNIVALÓ TÍPUSA | SÚLY (gr) |
|------------------|-----------|
| Törölköző        | 200       |
| Ágynemű          | 500       |
| Fürdőköpeny      | 1200      |
| Ágytakaró        | 700       |
| Párnahuzat       | 200       |
| Fehérnemű        | 100       |
| Abrosz           | 250       |

- Az egyes mosnivalók egymástól elválasztva helyezze a gépbe.
- Győződjön meg róla, hogy a mosnivaló a mosógép ajtajának becsukásakor nem szorult az ajtó és az alsó perem közé.
- Nyomja be a mosógép ajtaját, amíg a bezáródást jelző kattánást nem hallja.
- Megfelelően zárja be a mosógép ajtaját, ellenkező esetben a gép nem kezdi el a mosást.

|   |  |   |
|---|--|---|
| <br>Lehet<br>fehéríteni  | <br>Nem<br>Lehet fehéríteni                         | <br>Normál<br>mosás                         |
| <br>Vasalási<br>hőmérséklet<br>max. 150°                               | <br>Vasalási<br>hőmérséklet<br>max. 200°            | <br>Ne vasalja                              |
| <br>Vegytisztítható  | <br>Nem<br>vegytisztítható                          | <br>Helyezze<br>sima felületre             |
| <br>Terítse ki a<br>nedves ruhát                                     | <br>Szárítón<br>szárítsa                          | <br>Ne csavarja                           |
| <br>Vegytisztítás gá-<br>zokkal,<br>tisztá alkohollal<br>és R113-mal | <br>Perklór-etilén<br>R11, R13, szénhi-<br>drogén | <br>Perklór-etilén R11,<br>R113, gázolaj |

## MOSÓSZER ADAGOLÁSA A GÉPBE

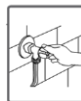
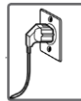
A mosógépbe töltendő mosószer mennyisége az alábbi kritériumoktól függ:

- A mosószer használat mértéke a mosnivalók szennyezettségi fokán alapul. Kevésbé szennyezett ruhák esetén ne használja az előmosás funkciót és csak csekély mennyiségű mosószert tegyen a mosószer adagoló fiók 2. rekeszébe.
- Az erősen szennyezett ruhákhoz válasszon előmosást is tartalmazó programot, és a használni kívánt mosószer  $\frac{1}{4}$ -ét tegye a mosószer adagoló fiók 1. rekeszébe, a fennmaradó  $\frac{3}{4}$  részt pedig a 2. rekeszbe.
- A mosógéphez használjon automata mosógépekhez gyártott mosószereket. A mosáshoz szükséges mosószer mennyiségét megtalálja a mosószer csomagolásán.
- Minél magasabb a víz keménysége, annál több mosószert használjon.
- A mosószer mennyisége arányosan nő a mosni kívánt ruhaneműk mennyiségével.

- Tegye az öblítőt a mosószer adagoló fiók öblítő rekeszébe.
- Ne lépje túl a MAX jelölésű szintet. Ellenkező esetben az öblítő elfolyik a mosóvízzel.
- A nagy sűrűségű öblítőket hígítani kell mielőtt a rekeszbe töltik. A nagy sűrűségű öblítő eltömítheti a kiömlő nyílást, és így az öblítő nem képes kifolyni.
- Folyékony mosószereket előmosás nélkül használhat minden programban. Ehhez helyezze a folyékony mosószer tálcát, vagy a folyékony mosószer adagolót a mosószer adagoló fiók 2. rekeszébe és állítsa be a folyékony mosószer mennyiségét a tálcán látható szintekhez. Ne felejtse el leválasztani a folyékony mosószer tálcát.
- A készülék műszaki jellemzői eltérőek lehetnek a megvásárolt terméktől függően.

## A MOSÓGÉP KEZELÉSE

1. Dugja be a mosógépet.
2. Nyissa ki a vízcsapot.
3. Nyissa ki a mosógép ajtaját.
4. Tegye a mosnivalót a gépbe.
5. Nyomja be a mosógép ajtaját, amíg a bezáródást jelző kattanást nem hallja.

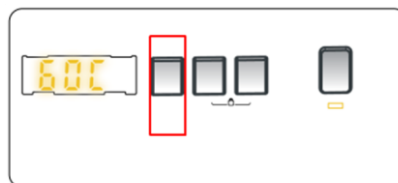


## FÉL-TÖLTET ÉRZÉKELŐ RENDSZER

A mosógép fél-töltet érzékelő rendszerrel rendelkezik. Ha a maximális töltet felét vagy kevesebb mosnivalót tölt a gépbe, a készülék néhány programban ennek megfelelően fog működni, lerövidítve a mosási időt, vizet és energiát takarítva meg. Ha a fél-töltet funkciót aktiválták, a gép rövidebb idő alatt befejezi a beállított programot.

### 1. HŐMÉRSÉKLET KIVÁLASZTÁSA

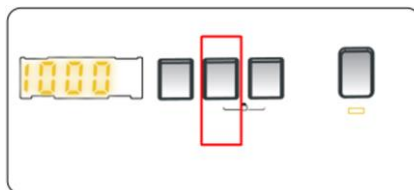
Használja a vízhőmérséklet-szabályozó gombot az automatikusan beállított mosási hőmérséklet megváltoztatásához.



Egy adott program választásakor a gép automatikusan beállítja a maximális hőmérséklet értékét. A hőmérséklet átállításához tartsa nyomva a vízhőmérséklet-szabályozó gombot, míg a kívánt érték meg nem jelenik a kijelzőn.

A mosóvíz hőmérséklete a mosóvíz hőmérséklet-kiválasztó gombjával fokozatonként állítható a maximum hőmérséklet és a hideg mosás (- - C) között a hőmérséklet-szabályozó gomb használatával.

## 2. CENTRIFUGÁLÁSI SEBESSÉG VÁLASZTÁSA

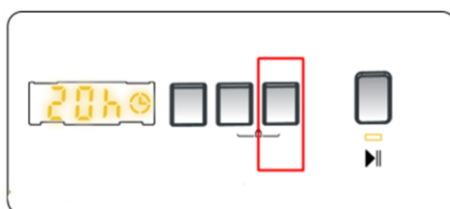


Egy adott program választásakor a gép automatikusan beállítja a centrifugálási sebesség értékét.

A centrifugálási sebességet átállíthatja a minimum és maximum sebesség közötti tartományban, vagy törölheti a funkciót (-- -) a centrifugálási sebesség gombot nyomva tartva, míg a kívánt érték megjelenik.

Ha a túlhaladt a kívánt centrifugálási sebesség értékén, tartsa nyomva a gombot, amíg az újra megjelenik.

## 3. KÉSLELTETÉS IDŐZÍTÉSE



Használja ezt a funkciót, ha a mosási ciklus indítását 1-23 órával késleltetni kívánja.

A késleltető funkció használata: Nyomja meg a késleltetés gombot egyszer.. A kijelzőn a "01h" felirat jelenik meg, és a digitális kijelzőn felgyullad a(z) "☉" visszajelző.

Tartsa nyomva a késleltetés gombot, míg el nem éri a mosási ciklus indításáig beállítani kívánt késleltetési értéket. Ha a túlhaladt a kívánt késleltetési értékén, tartsa nyomva a gombot, amíg az újra megjelenik. A késleltető funkció használatakor az indításhoz nyomja meg a gép Indítás/ Szünet gombját.

Amennyiben törölni szeretné a késleltetést: Ha már megnyomta a gép Indítás/ Szünet gombját, nyomja meg a késleltetés gombot egyszer. A(z) „☉” visszajelző kialszik a digitális kijelzőn. . Amennyiben még nem nyomta meg az Indítás/Szünet gombot, tartsa nyomva a késleltető gombot, míg a(z) „☉” visszajelző ki nem alszik a digitális kijelzőn. A „☉” visszajelző kialszik a digitális kijelzőn.

## 4. INDÍTÁS/SZÜNET GOMB

A kiválasztott programot az Indítás/ Szünet gomb segítségével elindíthatja, vagy felfüggesztheti a program futását. Ha a gépet készenléti üzemmódba állítja, az Indítás/Szünet visszajelző led villogni fog a digitális kijelzőn.





## 5. GYERMEKZÁR

A gyermekzár funkció segítségével zárolhatók a mosógép gombjai, hogy elkerülhető legyen a választott mosási ciklus véletlen módosítása. A gyermekzár aktiválásához nyomja be és legalább 3 másodpercig tartsa nyomva a 2. és 3. számú gombot egyszerre. A gyermekzár aktiválásakor a „CL” felirat megjelenik a kijelzőn és 2 másodpercig villog .



Ha aktív gyermekzár esetén a gép gombnyomást, vagy a programválasztó gomb elforgatását érzékeli, a „CL” felirat megjelenik és 2 másodpercig villog a kijelzőn. Ha bármely program futása közben a gyermekzár be van kapcsolva és a programválasztó gombot CANCEL állásba kapcsolja, majd egy másik programot választ, akkor a korábban kiválasztott program fog folytatódni, onnan, ahol abbamaradt.

A gyermekzár kikapcsolásához nyomja be és legalább 3 másodpercig tartsa nyomva a 2. és 3. számú gombot egyszerre, míg a „CL” felirat eltűnik a kijelzőről.

## PROGRAM TÖRLÉSE

A futó programot bármikor törölheti az alábbi módon:

- Állítsa a programválasztó gombot „STOP” állásba.
- A gép leállítja a mosási műveletet és a program törlésre kerül.
- A víz leeresztéséhez forgassa a programválasztó gombot bármilyen más állásba.
- A gép elvégzi a szükséges vízleeresztést és törli a programot.
- Ekkor kiválaszthatja és elindíthatja az új programot.

## PROGRAM VÉGE

A gép magától leáll, ha az Ön által kiválasztott program a végéhez ér. A digitális kijelzőn az „End” felirat villog .



- Kinyithatja a gép ajtaját és kiveheti a ruhákat.
- A ruhák eltávolítása után hagyja nyitva a gép ajtaját, hogy a gép belseje megszáradjon.
- Állítsa a programválasztó gombot STOP állásba.
- Húzza ki a gépet a konnektorból.
- Zárja el a vízcsapot.

## IX. PROGRAMTÁBLÁZAT

|                                  |   |
|----------------------------------|---|
| <b>COTTON</b>                    |   |
| Mosási hőmérséklet (°C)          | 40°, 60°, 70°, 80°, 90°   |
| Maximális szárazruha töltet (kg) | 7,0   |
| Mosószer- adagoló rekesz         | 2   |
| Program időtartama (perc)        | 230   |
| Ruha típusa / Leírás             | Erősen szennyezett, pamut és len anyagok. (Alsónemű, vászonanyagok, terítő, törölköző (maximum 3.5 kg), ágynemű, stb.)      |
| <b>ECO 40-60</b>                 |   |
| Mosási hőmérséklet (°C)          | *40° - 60°  |
| Maximális szárazruha töltet (kg) | 7,0   |
| Mosószer- adagoló rekesz         | 2   |
| Program időtartama (perc)        | 208   |
| Ruha típusa / Leírás             | Szennyezett pamut és lenvászon anyagok. (Alsónemű, vászonanyagok, terítő, törölköző (maximum 3.5 kg), ágynemű, stb.)        |
| <b>COTTON PRE-WASH</b>           |   |
| Mosási hőmérséklet (°C)          | --, 30°, 40°, 50°, 60°  |
| Maximális szárazruha töltet (kg) | 7,0   |
| Mosószer- adagoló rekesz         | 1&2   |
| Program időtartama (perc)        | 164   |
| Ruha típusa / Leírás             | Szennyezett pamut és lenvászon anyagok. (Alsónemű, vászonanyagok, terítő, törölköző (maximum 3.5 kg), ágynemű, stb.)        |
| <b>COTTON 20°</b>                |   |
| Mosási hőmérséklet (°C)          | --, 20°   |
| Maximális szárazruha töltet (kg) | 3,5   |
| Mosószer- adagoló rekesz         | 2   |
| Program időtartama (perc)        | 96  |
| Ruha típusa / Leírás             | Kevésbé szennyezett pamut és lenvászon anyagok. (Alsónemű, vászonanyagok, terítő, törölköző (maximum 2,0 kg) ágynemű, stb.) |
| <b>COLOURS</b>                   |   |
| Mosási hőmérséklet (°C)          | --, 30°, 40°  |
| Maximális szárazruha töltet (kg) | 7,0   |
| Mosószer- adagoló rekesz         | 2   |
| Program időtartama (perc)        | 225   |
| Ruha típusa / Leírás             | Kevésbé szennyezett pamut és lenvászon anyagok. (Alsónemű, vászonanyagok, terítő, törölköző (maximum 3,5 kg) ágynemű, stb.) |
| <b>WOOL</b>                      |   |
| Mosási hőmérséklet (°C)          | --, 30°   |
| Maximális szárazruha töltet (kg) | 2,5   |
| Mosószer- adagoló rekesz         | 2   |
| Program időtartama (perc)        | 39  |
| Ruha típusa / Leírás             | Gépben mosható címkével ellátott gyapjú mosásához.  |
| <b>RINSE</b>                     |   |
| Mosási hőmérséklet (°C)          | -   |
| Maximális szárazruha töltet (kg) | 7,0   |
| Mosószer- adagoló rekesz         | -   |
| Program időtartama (perc)        | 30  |
| Ruha típusa / Leírás             | Extra öblítési fázist ad a mosási ciklus végéhez a szennyes típusától függetlenül.  |

|                                  |   |
|----------------------------------|---|
| <b>ALLERGY SAFE</b>              |   |
| Mosási hőmérséklet (°C)          | --, 30°, 40°, 50°, 60°  |
| Maximális szárazruha töltet (kg) | 3,5   |
| Mosószer- adagoló rekesz         | 2   |
| Program időtartama (perc)        | 197   |
| Ruha típusa / Leírás             | Babaruhák   |
| <b>SPIN/DRAIN</b>                |   |
| Mosási hőmérséklet (°C)          | -   |
| Maximális szárazruha töltet (kg) | 7,0   |
| Mosószer- adagoló rekesz         | -   |
| Program időtartama (perc)        | 15  |
| Ruha típusa / Leírás             | Használja ezt a programot olyan szennyesekhez, amelyek esetében extra centrifugálás fázist szeretne adni a mosási ciklushoz./ A vízleeresztés program használatával leeresztheti a gép belsejében összegyűlt vizet (szennyes behelyezésekor vagy eltávolításakor). A vízleeresztés bekapcsolásához fordítsa a programválasztó gombot a centrifugálás/vízleeresztés programra. Ha a kiegészítő funkció gomb használatával kiválasztotta a „centrifugálás mellőzése” funkciót, a program elindul. |
| <b>HAND WASH</b>                 |   |
| Mosási hőmérséklet (°C)          | --, 30°   |
| Maximális szárazruha töltet (kg) | 2,5   |
| Mosószer- adagoló rekesz         | 2   |
| Program időtartama (perc)        | 90  |
| Ruha típusa / Leírás             | Kézzel mosható címkével ellátott és kényes anyagok mosásához.   |
| <b>OUTDOOR</b>                   |   |
| Mosási hőmérséklet (°C)          | --, 30°, 40°  |
| Maximális szárazruha töltet (kg) | 3,5   |
| Mosószer- adagoló rekesz         | 2   |
| Program időtartama (perc)        | 110   |
| Ruha típusa / Leírás             | Textile foarte murdare sau textile din amestecuri sintetice. (șosete din nailon, cămăși, bluze, pantaloni care includ materiale sintetice etc).   |
| <b>MIX</b>                       |   |
| Mosási hőmérséklet (°C)          | --, 30°, 40°  |
| Maximális szárazruha töltet (kg) | 3,5   |
| Mosószer- adagoló rekesz         | 2   |
| Program időtartama (perc)        | 105   |
| Ruha típusa / Leírás             | Piszkos pamut, műszálás, színes é a len textíliák együtt moshatók   |
| <b>JEANS/ DARK GARMENTS</b>      |   |
| Mosási hőmérséklet (°C)          | --, 30°   |
| Maximális szárazruha töltet (kg) | 3,5   |
| Mosószer- adagoló rekesz         | 2   |
| Program időtartama (perc)        | 96  |
| Ruha típusa / Leírás             | Fekete és sötét pamut, vegyes szálás vagy farmeranyagok. Kifordítva mossa. A farmeranyagok gyakran tartalmaznak nagy mennyiségű festéket, amely az első mosások alkalmával részben kioldódhat. A világos és sötét ruhákat külön mossa   |

|                                  |   |
|----------------------------------|---|
| <b>FAST 60 min (*)</b>           |   |
| Mosási hőmérséklet (°C)          | --, 30°, 40°, 50°, 60°  |
| Maximális szárazruha töltet (kg) | 3,0   |
| Mosószer- adagoló rekesz         | 2   |
| Program időtartama (perc)        | 60  |
| Ruha típusa / Leírás             | Szennyezett, pamut, színes és lenvászon textíliák 60°C-os mosása 60 perc alatt.     |
| <b>RAPID 15 min (**)</b>         |   |
| Mosási hőmérséklet (°C)          | --, 30°   |
| Maximális szárazruha töltet (kg) | 2,0   |
| Mosószer- adagoló rekesz         | 2   |
| Program időtartama (perc)        | 15  |
| Ruha típusa / Leírás             | Enyhén szennyezett, gyapjú, színezett és vászontextíliák rövid, 15 perces mosására. |



**MEGJEGYZÉS:** A PROGRAM IDŐTARTAMA A RUHA MENNYISÉGÉTŐL, A CSAPVÍZTŐL, A KÜLSŐ HŐMÉRSÉKLETTŐL, VALAMINT A KIVÁLASZTOTT KIEGÉSZÍTŐ FUNKCIÓKTÓL FÜGGŐEN VÁLTOZHAT.

(\*) Amennyiben mosógépe rendelkezik gyorsmosási funkcióval és Ön 2 kg vagy annál kevesebb ruhát tett a gépbe, a készülék automatikusan 30 percig fogja mosni a ruháit.

(\*\*) A program rövid mosási ideje miatt kevesebb mosószer használata javasolt. A program tovább tarthat 15 percnél, amennyiben a gép egyetlen töltetet érzékel. A mosógép ajtaját 2 perccel a mosási program befejezése után lehet kinyitni. (Ezt a 2 percet nem tartalmazza a program hossza).

Az Eco 40-60 program 40 °C és 60 °C között mosható, átlagosan szennyezett pamutruhák tisztítására alkalmas, együtt ugyanabban a ciklusban. Ezzel programmal mérik fel az EU környezettudatos tervezésre vonatkozó szabályozással való megfelelést.

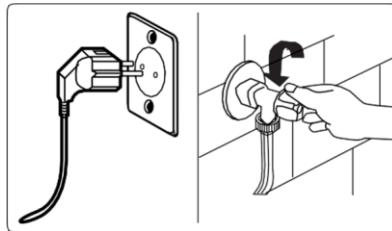
- Általában azok a programok az energiafogyasztás szempontjából leghatékonyabba, amelyek alacsony hőmérsékleten hosszabb ideig mosnak.
- Nagyban hozzájárulhat az energia- és vízmegtakarításokhoz, ha a mosógépet a gyártó által megjelölt kapacitásig tölti.
- A programok időtartama, energiafogyasztási és vízfogyasztási értékek a mosási töltet súlyától és típusától, a kiválasztott extra funkcióktól, a csapvíztől és környezeti hőmérséklettől függően változhat. Folyékony mosószer használata ajánlat az alacsony hőmérsékletű mosási programokhoz. A felhasznált mosószer mennyiség a szennyes mennyiségétől és szennyezettségi fokától függően változhat. Kövesse a mosószer gyártójának javaslatait a felhasznált mosószer mennyiségét illetően.
- A zajt, valamint a ruhák mosás utáni nedvességét a centrifugálási sebesség befolyásolja. Minél nagyobb a centrifugálási sebesség centrifugálás közben, annál hangosabb lesz a gép és annál szárazabb lesznek a ruhák mosás után.
- A energiahatékonysági címkén lévő QR-kód beolvasásával hozzáférhet termékadatbázisunkhoz, ahol bővebb információt talál modellieről.

| Program neve            | Néveleges kapacitás kg | Energiafogyasztás kWh/ciklus |            |            | Program időtartama Óra: Perc |            |            | Vízfogyasztás Liter/ciklus |            |            | Maximális hőmérséklet °C |            |            | Fennmaradó nedvességtartalom % 1400 Rpm |            |            |
|-------------------------|------------------------|------------------------------|------------|------------|------------------------------|------------|------------|----------------------------|------------|------------|--------------------------|------------|------------|---|------------|------------|
|                         |                        | Néveleges kapacitás          | 1/2 töltet | 1/4 töltet | Néveleges kapacitás          | 1/2 töltet | 1/4 töltet | Néveleges kapacitás        | 1/2 töltet | 1/4 töltet | Néveleges kapacitás      | 1/2 töltet | 1/4 töltet | Néveleges kapacitás                     | 1/2 töltet | 1/4 töltet |
| Pamut 90 °C             | 7                      | 2,22                         |            |            | 03:00                        |            |            | 76                         |            |            | 81                       |            |            | 62%                                     |            |            |
| Pamut 60 °C             | 7                      | 1,19                         |            |            | 03:50                        |            |            | 52                         |            |            | 43                       |            |            | 62%                                     |            |            |
| Eco 40-60               | 7                      | 1,16                         | 0,40       | 0,30       | 03:28                        | 02:40      | 02:40      | 38                         | 30         | 25         | 50                       | 27         | 23         | 62%                                     | 62%        | 62%        |
| Műszálás / SPORTRUHÁZAT | 3,5                    | 0,49                         |            |            | 01:50                        |            |            | 44                         |            |            | 42                       |            |            | 71%                                     |            |            |
| Gyors 60°               | 3                      | 0,99                         |            |            | 01:00                        |            |            | 31                         |            |            | 58                       |            |            | 62%                                     |            |            |
| PAMUT 20 °C             | 3,5                    | 0,2                          |            |            | 01:36                        |            |            | 43                         |            |            | 20                       |            |            | 62%                                     |            |            |

## X. A KÉSZÜLÉK KARBANTARTÁSA ÉS TISZTÍTÁSA

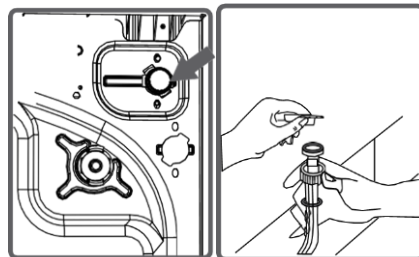
Húzza ki mosógépét a hálózati csatlakozóból mielőtt a készülék tisztítását vagy karbantartását elkezdi. Zárja el a vízcsapot mielőtt a készülék tisztítását vagy karbantartását elkezdi.

**FIGYELEM:** A mosógép alkatrészei megsérülhetnek, ha oldószereket is tartalmazó tisztítószeret használnak. Ne használjon oldószereket tartalmazó tisztítószereket.



### VÍZBEVEZETŐ CSŐ SZŰRŐK

A vízben lévő szennyeződések és idegen anyagok kiszűrésére és mosógépbe kerülésüknek megakadályozására szolgáló szűrők találhatóak a mosógép vízcsap felőli oldalán, valamint a szelepeknél, a víz bevezető csöveknél. Ha készüléke annak ellenére nem tud elég vizet felvenni, hogy a vízcsap ki van nyitva, ezeket a szűrőket ki kell tisztítani. (Ajánlott a szivattyú szűrőket kéthavonta kitisztítani.)



- Távolítsa el a víz bevezető csöveket.
- Vegye ki a víz beömlő szelepeknél lévő szűrőket egy fogó segítségével, majd vízben tisztítsa meg egy kefével.
- Manuálisan szedje szét a víz beömlőcső csap oldali végén lévő szűrőt és tisztítsa meg.
- A szűrők megtisztítása után visszahelyezheti őket azonos módon, fordított sorrendben.

### FIGYELEM:

A bevezető billentyűk szűrői a szennyezett vízcsapoktól vagy a karbantartási műveletek hiányában tömődhetnek el, esetleg a billentyűk sérülése miatt is, amely a mosógép folyamatos szivárgását eredményezheti. Az ilyen természetű károsodások nem képezik a garancia tárgyát.

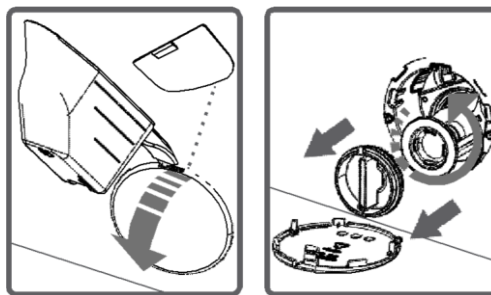
### SZIVATTYÚ SZŰRŐ

A mosógép egy szűrő rendszerrel van ellátva, amely megakadályozza, hogy a ruhákról származó szennyeződések és egyéb apró tárgyak bekerüljenek a mosógépbe, meghosszabbítva ezáltal a mosógép élettartamát. A szivattyú szűrőjét ajánlott két havonta egyszer kitisztítani. A szivattyú szűrőjének tisztítása:

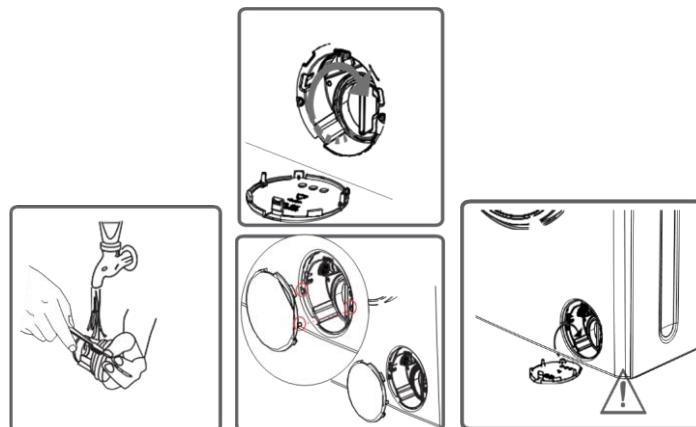
A mosógép egy szűrő rendszerrel van ellátva, amely megakadályozza, hogy a ruhákról származó szennyeződések és egyéb apró tárgyak bekerüljenek a mosógépbe, meghosszabbítva ezáltal a mosógép élettartamát. A szivattyú szűrőjét ajánlott két havonta egyszer kitisztítani. A szivattyú szűrőjének tisztítása:

- A szivattyú fedelének kinyitásához használhatja a mosógéppel szállított mosópor vagy folyékony mosószer adagolót (\*).
- Illesse a műanyag rész végét a szivattyú fedelére nyílásába és nyomja be. Ezzel kinyílik a fedlap.
- Mielőtt kinyitná a szűrő fedelét, tegyen egy edényt a szűrő fedél elé, hogy a gépben maradt víz ne folyjon a padlóra.
- Órajárásával ellentétes irányba lazítsa meg a szűrő fedelét, és ürítse ki a vizet.

**Megjegyzés:** lehetséges, hogy a vizet nem kell többször leengednie, a mosógép típusától vagy a víz mennyiség függvényében.



- Az idegen testeket egy kefével tisztítsa le.
- A szűrő megtisztítása után helyezze vissza a fedelet és húzza meg az óramutató járásával megegyező irányban.
- A szivattyú fedelének zárásakor győződjön meg róla, hogy a fedél belső oldalán lévő része illeszkednek az előlapi panel oldalán található lyukakkal.
- Az eltávolításhoz képest fordított sorrendben teheti vissza a szivattyú fedelet



**Mivel a szivattyúban lévő víz meleg lehet, várja meg, amíg lehül.**

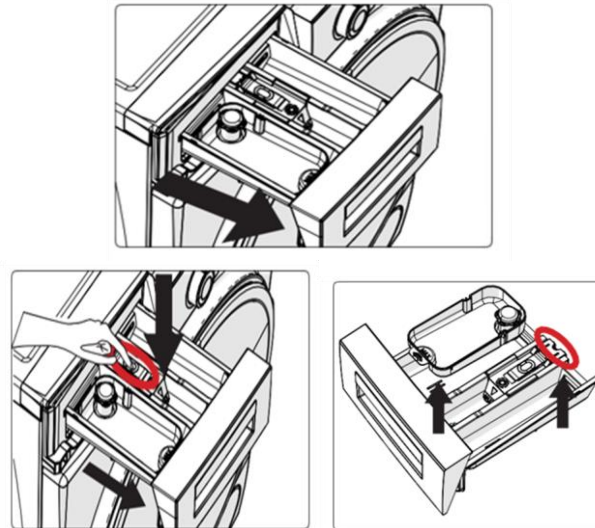
#### **MOSÓSZER ADAGOLÓ FIÓK**

Idővel lerakódhatnak a mosószer részecskék a mosószer adagoló fiókon és a fiók körüli házon. A lerakódott részecskéket letisztításához rendszeresen szedje szét a mosószer fiókot. Ajánlott a szivattyú kéthavonta történő tisztítása.



A mosószer adagoló kivétele:

- Húzza egészen ki a mosószer adagoló fiókot.
- Az alábbi ábrán jelzett helyen benyomva a mosószer adagoló fiókot, húzza tovább kifelé, majd vegye ki a fiókot

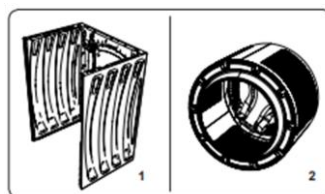


- Egy kefe segítségével tisztítsa le.
- Gyűjtse össze úgy a mosószer adagoló fiók házán lévő lerakódásokat, hogy ne essenek a mosógép belsejébe.
- Szerelje vissza a mosószer adagoló fiókot, miután egy törölközővel vagy száraz ruhával szárazra törölte.

**Ne mossa el a mosószer adagoló fiókot mosogatógépben.**

### Folyékony mosószer adagoló

Tisztításhoz és karbantartáshoz vegye ki a folyékony mosószer adagolót a képen látható módon és alaposan tisztítsa le a mosószer lerakódásokat. Tegye vissza az adagolót a helyére. Győződjön meg róla, hogy nem maradt lerakódás a belsejében.



#### 1. Készülékház

Tisztítsa meg készülék külső házát meleg vízzel és olyan nem gyúlékony tisztítószerrel, ami nem karcolja a készülék házat. Miután leöblítette a mosószert, egy száraz puha ruhával törölje szárazra.

#### 1. Dob

Ne hagyjon fém tárgyakat, például tűket, gemkapcsokat, érméket a készülék belsejében. Ezek a tárgyak rozsdafoltok kialakulásához vezethetnek a dobban. Az esetleges rozsdafoltok letisztításához használjon klórmentes tisztítószerrel és kövesse a tisztítószer gyártójának utasításait. Soha ne használjon fémes dörzsölőt vagy hasonló kemény tárgyat a rozsdafoltok tisztításához.

## XI. HIBAE LHÁRÍTÁS

A mosógép minden szükséges javítási feladatát hivatalos márkaszervizünknek kell elvégeznie. Ha a készülék javításra szorul vagy ha nem tudja elhárítani a hibát a rendelkezésre bocsátott segítséggel, járjon el az alábbiak szerint:

- Húzza ki a mosógépet, Zárja el a vízcsapot.

| HIBA                         | LEHETSÉGES OK  | HIBAE LHÁRÍTÁS   |
|------------------------------|--|--|
| A gép nem indul.             | A gép nincs áramforráshozcsatlakoztatva.                         | Csatlakoztassa a gépet az áramforráshoz.                               |
|                              | A biztosíték meghibásodott.                                      | Cserélje ki a biztosítékot.  |
|                              | Nincsen hálózati áram.   | Ellenőrizze a hálózati áramellátást.                                   |
|                              | Nincs megnyomva a Start/Szünet gomb.                             | Nyomja meg a Start/Szünet gombot.                                      |
|                              | A programválasztó gomb „stop” állásban van.                      | Állítsa a programválasztó gombot a kívánt állásba.                     |
|                              | A gép ajtaja nincs teljesen bezárva.                             | Csukja be a gép ajtaját.   |
| A gép nem vesz fel vizet.    | A vízcsap el van zárva.  | Nyissa meg a vízcsapot.  |
|                              | Lehet, hogy a vízbemeneti tömlő meg van tekeredve.               | Ellenőrizze a vízbemeneti tömlőt és egyenesítse ki.                    |
|                              | Lehet, hogy a vízbemeneti tömlő el van tömődve.                  | Tisztítsa meg a vízbemeneti tömlő szűrőit. (*)                         |
|                              | A vízbemeneti tömlő szűrője eltömődött.                          | Tisztítsa meg a vízbemeneti szűrőket. (*)                              |
|                              | A gép ajtaja nincs teljesen bezárva.                             | Csukja be a gép ajtaját.   |
| A gép nem ereszt le a vizet. | A vízleeresztő tömlő esetleg eltömődött vagy megtekeredett.      | Ellenőrizze a vízleeresztő tömlőt, tisztítsa meg, vagy egyenesítse ki. |
|                              | A szivattyúszűrő eltömődött.                                     | Tisztítsa meg a szivattyú szűrőjét. (*)                                |
|                              | A gépben túlságosan össze vannak nyomva a ruhák.                 | Egyenletesen helyezze el a ruhákat a gépben.                           |
| A gép rázkódik.              | A lábak nincsenek beállítva.                                     | Állítsa be a lábakat. (**)   |
|                              | A szállítócsavarok nem lettek eltávolítva a szállítást követően. | Távolítsa el a szállítócsavarokat a gépből. (**)                       |
|                              | Kevés ruha van a dobben.   | Ez nem akadályozza a gép működését.                                    |
|                              | Túl sok ruha van a gépben vagy nincs egyenletesen elosztva.      | Ne terhelje túl a dobot. Oszlassa el egyenletesen a ruhákat a gépben.  |
|                              | A gép kemény felületen áll.                                      | Ne helyezze üzembe a gépet kemény felületen.                           |

| HIBA   | LEHETSÉGES OK  | HIBAELHÁRÍTÁS   |
|--|--|---|
| Túl sok hab képződik a mosószert adagoló fiókban.    | Túl sok mosószert használ.   | Nyomja meg a Start/Szünet gombot. A habképződés megállításához oldjon fel egy evőkanál öblítőt fél liter vízben, majd öntse a mosószert adagoló fiókba. 5-10 perc múlva nyomja meg ismét a Start/Szünet gombot.                         |
|  | Nem megfelelő mosószert használ.   | Csak automata mosógéphez gyártott mosószert használjon.   |
| Nem kielégítő mosási eredmény.                       | A ruhák túl szennyezettek a választott programhoz.   | Használja a programtáblázat adatait a szennyeshez leginkább megfelelő program kiválasztásához.  |
|  | Nincs elegendő mosószert.  | Használjon a csomagoláson feltüntetett mennyiségű mosószert.  |
|  | Túl sok ruha van a gépben.   | Ellenőrizze, hogy nem lépte-e túl a választott program maximális töltetét.  |
| Nem kielégítő mosási eredmény.                       | Kemény a víz.  | A gyártó utasításait követve növelje a mosószert mennyiségét.   |
|  | A gépben túlságosan össze vannak nyomva a ruhák.   | Oszlassa el a ruhákat.  |
| Ahogy a gép megtelik vízzel, leereszti a vizet.      | A vízleeresztő tömlő vége túl alacsonyan van elhelyezve.   | Ellenőrizze, hogy a leeresztő tömlő megfelelő magasságban legyen. (**)  |
| Mosás közben nem látható víz a dobban.               | Ez nem hiba. A víz a dobban abban a részében van, ami nem látható.                               | .....   |
| A ruhákon mosószert-maradványok láthatók.            | Egyes mosószerek esetében a fel nem oldódó mosószert-részecskék fehér foltot hagyhatnak a ruhán. | Végezzen extra öblítést, vagy száradás után tisztítsa meg a ruhákat egy kefével.  |
| A ruhákon szürke foltok láthatók.                    | A ruhán olaj vagy krém okozta kezeletlen folt van.   | Használjon a csomagoláson feltüntetett mennyiségű mosószert a következő mosás alkalmával.   |
| Nincs centrifugálás, vagy a vártnál később kezdődik. | Ez nem hiba. A ruhák egyenetlen eloszlását érzékelő rendszer aktiválódott.                       | A ruhák egyenetlen eloszlását érzékelő rendszer megpróbálja egyenletesen elosztani a ruhákat. A centrifugálás akkor indul el, ha a ruhák egyenletesen vannak eloszlva. A következő mosás alkalmával oszlassa el a ruhákat egyenletesen. |

## XII. AUTOMATIKUS HIBAÜZENETEK ÉS KEZELÉSÜK

A készüléket egy olyan rendszerrel látták el, amely képes megtenni a szükséges óvintézkedéseket vagy figyelmeztetéseket küldeni Önnek bármilyen meghibásodás esetén a mosási műveletek közbeni folyamatos önellenőrzésnek köszönhetően.

| HIBAKÓD | LEHETSÉGES HIBA   | MI A TEENDŐ?   |
|---------|---|--|
| E01     | A gép ajtaja nincs megfelelően bezárva.   | Zárja be megfelelően az ajtót és figyeljen a kattanásra. Ha a gép továbbra is hibát jelez, kapcsolja ki a gépet, áramtalanítsa és hálódéktalanul forduljon a legközelebbi szakszervizhez.  |
| E02     | A vízszint vagy a víznyomás alacsony a gépben.  | Ellenőrizze, hogy a vízcsap teljesen nyitva van-e. Lehet, hogy a vezetékes vízellátást elzárták. Amennyiben a probléma továbbra is fennáll, a gép idővel magától kikapcsol. Áramtalanítsa a gépet, zárja el a csapot és forduljon a legközelebbi szervizhez. |
| E03     | A szivattyú meghibásodott, vagy a szűrő eltömődött, vagy a szivattyú elektromos csatlakozása meghibásodott. | Tisztítsa meg a szivattyú szűrőjét. Ha a probléma továbbra is fennáll, forduljon a legközelebbi szakszervizhez. (*)  |
| E04     | A gép túl sok vizet vesz fel.   | A vizet a gép magától leereszti. Amikor a gép leeresztette a vizet, kapcsolja ki és áramtalanítsa a gépet. Zárja el a csapot és forduljon a legközelebbi szakszervizhez.   |

## SZERVIZ ÉS ÜGYFÉLSZOLGÁLAT

Kizárólag eredeti cserealkatrészeket használjon.

Mielőtt felvenné a kapcsolatot az engedélyezett szakszervizünkkel, győződjön meg róla, hogy a következő adatok a rendelkezésére állnak: Modell megnevezése és sorozatszáma. Ezeket az adatokat a készülék műszaki adattábláján találja. Ezek az adatok előzetes értesítés nélkül is megváltoztathatók.

## MŰSZAKI ADATOK

A termék műszaki adatai a készülék műszaki adattábláján és az energiacímkéjén vannak feltüntetve.

A hűtőszekrény energiacímkéjén található QR-kód egy internetes linket biztosít a készülék teljesítményével kapcsolatos információkhoz, melyek az EPREL adatbázisban találhatóak. Utólagos tanulmányozás céljából, őrizze meg az energiacímkét a használati útmutatóval valamint a készülék egyéb dokumentumaival együtt.

Úgyisint, ezeket az információkat az EPREL adatbázisban is megtalálja. Ennek érdekében használja a következő linket: <https://eprel.ec.europa.eu> és adja meg a termék megnevezését és sorozatszámát, amelyeket a készülék műszaki adattábláján talál.

**A termékével kapcsolatos információk eléréséhez az EPREL portálon beolvashatja az alábbi kódokat:**



Köszönjük, hogy termékünket választotta! Ha termékével kapcsolatosan további információra van szüksége, keresse fel honlapunkat az alábbi linkeket használva:

**A használati útmutatókat innen töltheti le:** <https://www.heinner.ro>

**A javításokra vonatkozó adatokat itt találja:** <https://www.heinner.ro>



**A hulladékok környezetfelelős eltávolítása**

Segíthet a környezet védelmében!

Kérjük, tartsa be a helyi rendelkezéseket: a nem működő elektromos berendezéseket a használt elektromos hulladékokat gyűjtő központba szolgáltatassa be!



**A HEINNER a Network One Distribution SRL(KFT) társaság által bejegyzett védjegy.** A többi márkajelzés és a termékek megnevezése kereskedelmi vagy az illető birtoklók által bejegyzett márkanevek.

A műszaki leírások egyik része sem reprodukálható semmilyen formában és semmilyen módon, és nem használható fel fordításra, átváltoztatásra vagy alkalmazásra a NETWORK ONE DISTRIBUTION társaság előzetes beleegyezése nélkül.

Copyright © 2013 Network One Distribution. Minden jog fenntartva.

[www.heinner.com](http://www.heinner.com), <http://www.nod.ro>  
<http://www.heinner.com>, <http://www.nod.ro>



A terméket az Európai Közösség előírásainak és jogszabályainak megfelelően tervezték és gyártották

Importőr: **Network One Distribution**

Marcel Iancu utca, 3-5 szám, Bukarest (București), Románia

Tel: +40 21 211 18 56, [www.heinner.ro](http://www.heinner.ro), [www.heinner.com](http://www.heinner.com)

