

HEINNER

FREEZER

Model:

HFF-V280NFE++/HFF-V280NFSE++



- Freezer
- Total capacity: 280 L
- Energy class: E

Thank you for purchasing this product!

I. INTRODUCTION

Before using the appliance, please read carefully this instruction manual and keep it for future reference.

This instruction manual is designed to provide you with all required instructions related to the installation, use and maintenance of the appliance.

In order to operate the unit correctly and safety, please read this instruction manual carefully before installation and usage.

II. CONTENT OF YOUR PACKAGE



- Freezer
- User manual
- Warranty card

III. SAFETY PRECAUTIONS

General warnings!

Warning: Keep ventilation openings, in the appliance enclosure or in the built-in structure, clear of obstruction.

Warning: Do not use mechanical devices or other means to accelerate the defrosting process, other than those recommended by the manufacturer.

Warning: Do not use electrical appliances inside the food storage compartments of the appliance, unless they are of the type recommended by the manufacturer.

Warning: Do not damage the refrigerant circuit.

Warning: When positioning the appliance, ensure the supply cord is not trapped or damaged.

Warning: Do not locate multiple portable socket-outlets or portable power supplies at the rear of the appliance.

WARNING: In order to avoid any hazards resulting from the instability of the appliance, it must be fixed in accordance with the instructions.



Symbol ISO 7010 W021

Warning: Risk of fire/flammable materials

If your appliance uses R600a as a refrigerant (this information will be provided on the label of the cooler) you should take care during transportation and installation to prevent the cooler elements from being damaged. R600a is an environmentally friendly and natural gas, but it is explosive. In the event of a leak due to damage of the cooler elements, move your freezer away from open flames or heat sources and ventilate the room where the appliance is located for a few minutes.

- While carrying and positioning the freezer, do not damage the cooler gas circuit.
- Do not store explosive substances such as aerosol cans with a flammable propellant in this appliance.
- This appliance is intended to be used in household and domestic applications such as:
 - staff kitchen areas in shops, offices and other working environments;
 - farm houses and by clients in hotels, motels and other residential type environments;
 - bed and breakfast type environments;
 - catering and similar non-retail applications.
- If the socket does not match the freezer plug, it must be replaced by a service agent or similarly qualified persons in order to avoid a hazard.
- A specially grounded plug has been connected to the power cable of your freezer. This plug should be used with a specially grounded socket of 16 amperes. If there is no such socket in your house, please have one installed by an authorised electrician.
- This appliance can be used by children aged from 8 years and above and persons with reduced physical, sensory or mental capabilities or lack of experience and knowledge if they have been given supervision or instruction concerning use of the appliance in a safe way and understand the hazards involved. Children shall not play with the appliance. Cleaning and user maintenance shall not be made by children without supervision.
- If the supply cord is damaged, it must be replaced by a service agent or similar qualified persons, in order to avoid a hazard.
- Children aged from 3 to 8 years are allowed to load and unload refrigerating appliances. Children are not expected to perform cleaning or user maintenance of the appliance, very young children (0-3 years old) are not expected to use appliances, young children (3-8 years old) are not expected to use appliances safely unless continuous supervision is given, older children (8-14 years old) and vulnerable people can use appliances safely after they have been given appropriate supervision or instruction concerning use of the appliance. Very vulnerable people are not expected to use appliances safely unless continuous supervision is given.

- This appliance is not intended for use at altitudes exceeding 2000 m.

Old and out-of-order freezers

- If your old freezer has a lock, break or remove the lock before discarding it, because children may get trapped inside it and may cause an accident.
- Old fridges and freezers may contain isolation material and refrigerant with CFC or HFC. Therefore, take care not to harm environment when you are discarding your old fridges.
- Please ask your municipal authority about the disposal of the WEEE reuse, recycle and recovery purposes.

Notes:

- Please read the instruction manual carefully before installing and using your appliance. We are not responsible for the damage occurred due to misuse.
- Follow all instructions on your appliance and instruction manual, and keep this manual in a safe place to resolve the problems that may occur in the future.
- This appliance is produced to be used in homes and it can only be used in domestic environments and for the specified purposes. It is not suitable for commercial or common use. Such use will cause the guarantee of the appliance to be cancelled and our company will not be responsible for losses incurred.
- This appliance is produced to be used in houses and it is only suitable for cooling / storing foods. It is not suitable for commercial or common use and/or for storing substances except for food. Our company is not responsible for any losses incurred by inappropriate usage of the appliance.

Safety warnings

- Do not connect your freezer to the mains electricity supply using an extension lead.
- Do not plug in damaged, torn or old plugs.
- Do not pull, bend or damage the cord.
- This appliance is designed for use by adults, do not allow children to play with the appliance or let them hang off the door.
- Never touch the power cord/plug with wet hands as this could cause a short circuit or electric shock.
- Do not place glass bottles or beverage cans in the ice-making compartment as they can burst as the contents freeze.
- Do not place explosive or flammable material in your freezer. Place drinks with high alcohol content vertically in the freezer and make sure that their tops are tightly closed.
- When removing ice from the ice-making compartment, do not touch it. Ice may cause frost burns and/or cuts.
- Do not touch frozen goods with wet hands. Do not eat ice-cream or ice cubes immediately after you have taken them out of the ice-making compartment.
- Do not re-freeze frozen goods after they have melted. This may cause health issues such as food poisoning.
- Do not cover the body or top of freezer with any textile material. This affects the performance of your freezer.
- Secure any accessories in the freezer during transportation to prevent damage to the accessories.
- When the door of the freezer is closed, a vacuum seal will form. Wait for about 1 minute before reopening it.
- This application is optional for easy opening of the door. With this application, a little condensation may occur around this area and you may remove it.
- Do not use plug adapter.

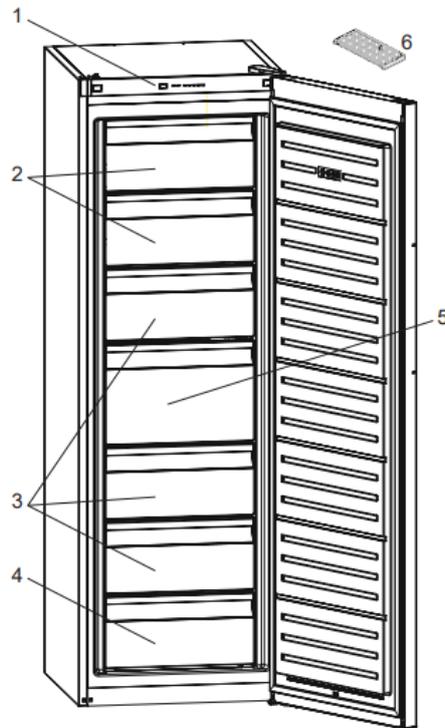
To avoid contamination of food, please respect the following instructions:

- Opening the door for long periods can cause a significant increase of the temperature in the compartments of the appliance.
- Clean regularly surfaces that can come in contact with food and accessible drainage systems
- Store raw meat and fish in suitable containers in the refrigerator, so that it is not in contact with or drip onto other food.
- Two-star frozen-food compartments are suitable for storing pre-frozen food, storing or making ice cream and making ice cubes.
- One-, two- and three-star compartments are not suitable for the freezing of fresh food.
- If the refrigerating appliance is left empty for long periods, switch off, defrost, clean, dry, and leave the door open to prevent mould developing within the appliance.

IV. PRODUCT DESCRIPTION

HFF-V280NFE++

This appliance is not intended to be used as a built-in appliance.

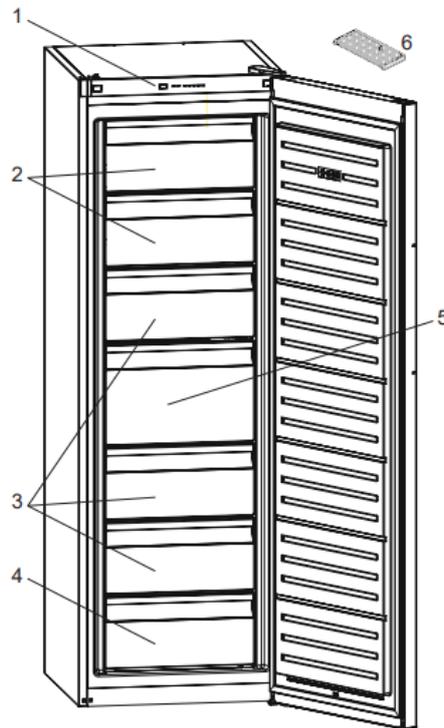


This presentation is only for information about the parts of the appliance. Parts may vary according to the appliance model.

1	Control panel
2	Freezer flaps
3	Freezer drawers
4	Freezer bottom drawer
5	Freezer big drawer
6	Ice tray

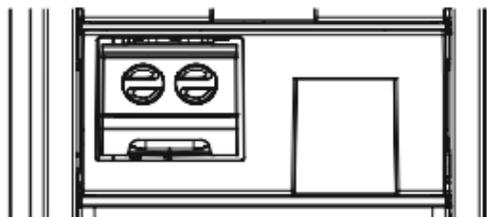
HFF-V280NFSE++

This appliance is not intended to be used as a built-in appliance.



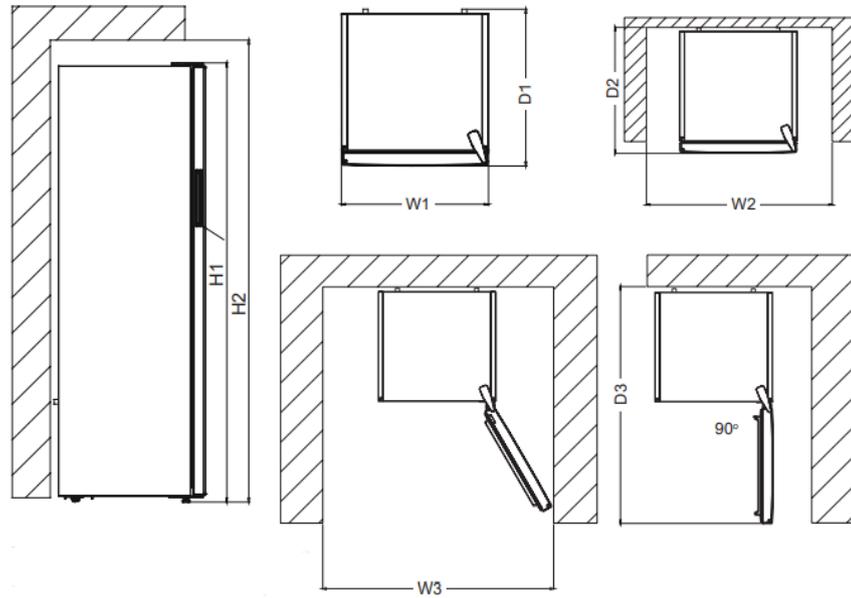
This presentation is only for information about the parts of the appliance. Parts may vary according to the appliance model.

1	Control panel
2	Freezer flaps
3	Freezer drawers
4	Freezer bottom drawer
5	Freezer big drawer
6	Ice tray



This model is equipped with icematic compartment in the top drawer.
Freezer Compartment (Freezer): Most Efficient use of energy is ensured in the configuration with the drawers and bins are on stock position.

Dimensions



Overall dimensions

H1	mm	1860
W1	mm	595
D1	mm	650

Space required in use

H2	mm	2010
W2	mm	695
D2	mm	752.5

Overall space required in use

W3	mm	710.6
D3	mm	1243.5

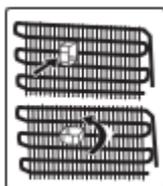
V. INSTALLATION

Before using your freezer for the first time, please pay attention to the following points:

- The operating voltage for your freezer is 220-240 V at 50Hz.
- The plug must be accessible after installation.
- Your freezer may have an odour when it is operated for the first time. This is normal and the odour will fade when your freezer starts to cool.
- Before connecting your freezer, ensure that the information on the data plate (voltage and connected load) matches that of the mains electricity supply. If in doubt, consult a qualified electrician.
- Insert the plug into a socket with an efficient ground connection. If the socket has no ground contact or the plug does not match, we recommend you consult a qualified electrician for assistance.
- The appliance must be connected with a properly installed fused socket. The power supply (AC) and voltage at the operating point must match with the details on the name plate of the appliance (the name plate is located on the inside left of the appliance).
- We do not accept responsibility for any damages that occur due to ungrounded usage.
- Place your freezer where it will not be exposed to direct sunlight.
- Your freezer must never be used outdoors or exposed to rain.
- Your appliance must be at least 50 cm away from stoves, gas ovens and heater cores, and at least 5 cm away from electrical ovens.
- If your freezer is placed next to a deep freezer, there must be at least 2 cm between them to prevent humidity forming on the outer surface.
- Do not cover the body or top of freezer with lace. This will affect the performance of your freezer.
- Clearance of at least 150 mm is required at the top of your appliance. Do not place anything on top of your appliance.
- Do not place heavy items on the appliance.

Clean the appliance thoroughly before use (see Cleaning and Maintenance).

- Before using your freezer, wipe all parts with a solution of warm water and a teaspoon of sodium bicarbonate. Then, rinse with clean water and dry. Return all parts to the freezer after cleaning.
- Use the adjustable front legs to make sure your appliance is level and stable. You can adjust the legs by turning them in either direction. This must be done before placing food in the appliance.
- Install the plastic distance guide(s) on the condenser (black vanes at the rear of the appliance) by turning it 90° (as shown in the figure) to prevent the condenser from touching the wall.



- The distance between the appliance and back wall must be a maximum of 75 mm.
- This appliance is designed to work in difficult climate conditions (up to 43°C or 110°F) and is powered with 'Freezer Shield' technology which ensures that the frozen food in the freezer will not defrost even if the ambient temperature falls as low as -15 °C. So you may then install your appliance in an unheated room without having to worry about frozen food in the freezer being spoilt. When the ambient temperature returns to normal, you may continue using the appliance as usual.

Before using your freezer

- When using your freezer for the first time, or after transportation, keep it in an upright position for at least 3 hours before plugging into the mains. This allows efficient operation and prevents damage to the compressor.
- Your freezer may have a smell when it is operated for the first time. This is normal and the smell will fade away when your freezer starts to cool.

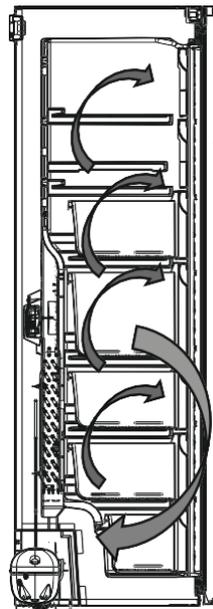
Information on No-Frost Technology

No-frost freezers differ from other static freezers in their operating principle.

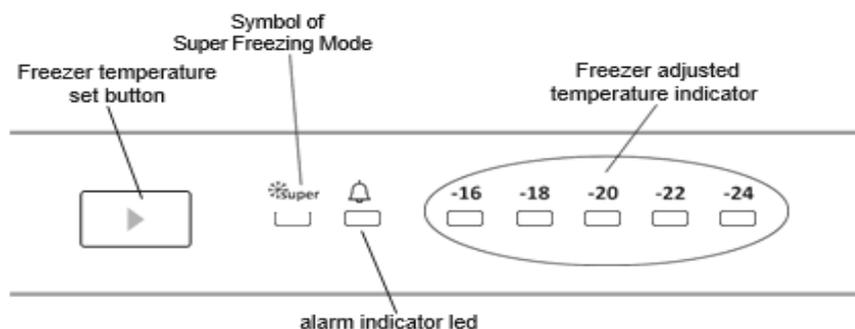
In normal freezers, the humidity entering the freezer due to opening the door and the humidity inherent in the food causes freezing in the freezer compartment. To defrost the frost and ice in the freezer compartment, you are periodically required to turn off the freezer, place the food that needs to be kept frozen in a separately cooled container and remove the ice gathered in the freezer compartment.

The situation is completely different in no-frost freezers. Dry and cold air is blown into the freezer compartment homogeneously and evenly from several points via a blower fan. Cold air dispersed homogeneously and evenly between the shelves cools all of your food equally and uniformly, thus preventing humidity and freezing.

Therefore your no-frost freezer allows you ease of use, in addition to its huge capacity and stylish appearance.



VI. USING THE APPLIANCE



Control panel

Freezer partition temperature setting button

This button allows setting temperature of the freezer. In order to set values for freezer partition, press this button. Use this button also to activate SF mode.

Alarm light case of a problem within the freezer, the alarm led will release red light.

Super freezer mode

When would it be used?

- To freeze huge quantities of food
- To freeze fast food
- To freeze food quickly
- To store seasonal food for a long time

How to use?

- Press temperature set button until super freezing light comes on.
- Super freezing led will light during this mode
- Maximum amount of fresh food (in kilograms) to be frozen within 24 hours is shown on the appliance label
- This option shall be turned on 24 hours before placing the fresh food to the freezer. After 54 hours, it returns to the normal set value.

During this mode:

If you press temperature set button, the mode will be cancelled and the setting will be restored from -16.

Super freeze mode will automatically cancel after 54 hours, depending on the environmental temperature or when the freezer sensor reaches a sufficiently low temperature.

Freezer temperature settings

- The initial temperature of the Setting Display is -18°C.
- Press freezer setting button once.
- Every time you press the button, the setting temperature will decrease. (-16°C, -18°C, -20°C, super freezing).
- If you press freezer setting button until super freezer symbol is displayed on freezer.
- Settings display and you do not press any button within the following 3 seconds, Super Freezing will blink.
- If you keep on pressing, it will restart from last value.

Recommended temperature values for freezer

When to adjust	Inner Temperature
For minimum freezing capacity	-16 °C, -18 °C
In normal usage	-18 °C, -20°C,-22 °C
For maximum freezing capacity	-24 °C

Stand by mode

How To Activate ?

Set “-16” set value and push set button until all leds are blink three times.

How It Works?

In stand-by mode; all components will be disabled. If user push set button while in stand-by mode, all leds will blink three times to show stand-by mode is active.

How To Deactivate ?

Push and hold set button A until display returns to normal working.After the mode is deactivated, the “Alarm LED” may light on the display because the product may be hot. The “Alarm LED” will turn off when the product reaches normal temperature.

Warnings for temperature settings

- Your appliance is designed to operate in the ambient temperature ranges stated in the standards, according to the climate class stated in the information label. It is not recommended that your fridge is operated in the environments which are outside of the stated temperature ranges. This will reduce the cooling efficiency of the appliance.
- Temperature adjustments should be made according to the frequency of door openings, the quantity of food kept inside the appliance and the ambient temperature in the location of your appliance.
- When the appliance is first switched on, allow it to run for 24 hours in order to reach operating temperature. During this time, do not open the door and do not keep a large quantity of food inside.
- A 5 minute delay function is applied to prevent damage to the compressor of your appliance when connecting or disconnecting to mains, or when an energy breakdown occurs. Your appliance will begin to operate normally after 5 minutes.

Climate class and meaning:

T (tropical): This refrigerating appliance is intended to be used at ambient temperatures ranging from 16 °C to 43 °C.

ST (subtropical): This refrigerating appliance is intended to be used at ambient temperatures ranging from 16 °C to 38 °C.

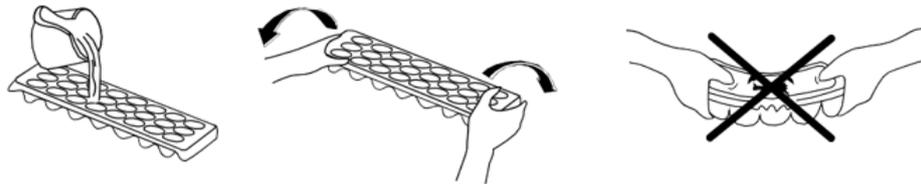
N (temperate): This refrigerating appliance is intended to be used at ambient temperatures ranging from 16 °C to 32 °C.

SN (extended temperate): This refrigerating appliance is intended to be used at ambient temperatures ranging from 10 °C to 32 °C.

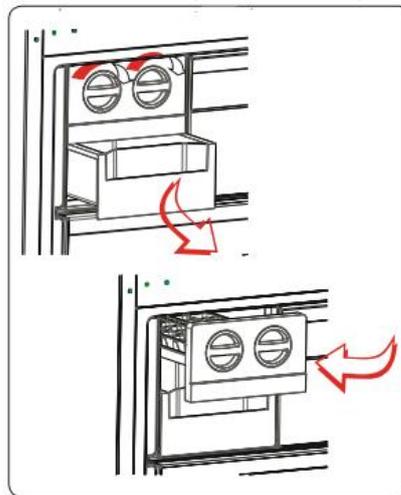
Accessories

Ice tray

- Fill the ice tray with water and place in freezer compartment.
- After the water completely turned into ice, you can twist the tray as shown below to get the ice cube.



The icematic (only for HFF-V280NFSE++ model)



- Pull the lever towards you and remove the ice maker tray
 - Fill with water to the marked level
 - Hold the left end of the lever and set the ice-tray on the icebox
 - When ice cubes have formed, twist the lever to drop the ice cubes into the icebox.
- Do not fill the icebox with water in order to make ice. It will break.

VII. STORING THE FOOD

For normal operating conditions, set the temperature of the freezer compartment to -18 or -20°C.

- The freezer is used for storing frozen food, freezing fresh food, and making ice cubes.
- Food in liquid form should be frozen in plastic cups and other food should be frozen in plastic folios or bags. For freezing fresh food; wrap and seal fresh food properly, that is the packaging should be air tight and shouldn't leak. Special freezer bags, aluminum foil polythene bags and plastic containers are ideal.
- Do not store fresh food next to frozen food as it can thaw the frozen food.
- Before freezing fresh food, divide it into portions that can be consumed in one sitting.
- Consume thawed frozen food within a short period of time after defrosting.
- Always follow the manufacturer's instructions on food packaging when storing frozen food. If no information is provided food, should not be stored for more than 3 months from the date of purchase.
- When purchasing frozen food, make sure that it has been stored under appropriate conditions and that the packaging is not damaged.
- Frozen food should be transported in appropriate containers and placed in the freezer as soon as possible.
- Do not purchase frozen food if the packaging shows signs of humidity and abnormal swelling. It is probable that it has been stored at an unsuitable temperature and that the contents have deteriorated.
- The storage life of frozen food depends on the room temperature, the thermostat setting, how often the door is opened, the type of food, and the length of time required to transport the product from the shop to your home. Always follow the instructions printed on the packaging and never exceed the maximum storage life indicated.
- If the freezer door has been left open for a long time or not closed properly, frost will form and can prevent efficient air circulation. To resolve this, unplug the freezer and wait for it to defrost. Clean the freezer once it has fully defrosted.
- The freezer volume stated on the label is the volume without baskets, covers, and so on.
- Do not refreeze thawed food. It may pose a danger to your health and cause problems such as food poisoning.

NOTE: If you attempt to open the freezer door immediately after closing it, you will find that it will not open easily. This is normal. Once equilibrium has been reached, the door will open easily.

If you would use maximum freezing capacity of your freezer:

- While freezing fresh foods, the maximum amount of fresh food (in kg) that can be frozen in 24 hours is indicated on the appliance label.
- For optimum appliance performance to reach maximum freezing capacity, activate Super Freeze (SF) mode 24 hours before placing fresh food into the freezer.
- After placing fresh food into the freezer, 24 hours is generally sufficient for freezing. "Super Freeze" mode will be deactivated automatically in 2-3 days to save energy.

If you would freeze a small amount (up to 3 kg) in your freezer:

- Place your food without touching already frozen food and activate "Fast Freezing" mode. You can put your food next to other frozen food after it is completely frozen (after minimum 24 hours).
- Do not re-freeze frozen food after it has thawed. This may cause health issues, such as food poisoning.
- Allow hot food to completely cool down before placing it in the freezer.
- When buying frozen food ensure that these have been frozen at suitable temperatures and that the packing is intact.

- Use the fast freezing shelf to freeze home cooking (and any other food which needs to be frozen quickly) more quickly because of the freezing shelf's greater freezing power. Fast freezing shelf is the bottom drawer of the freezer compartment.
- To use the maximum capacity of the freezer compartment, use the glass shelves for the upper and middle section, and use the lower basket for the bottom section.

Dairy Products	Preparation	Maximum Storing time (months)	Storing Conditions
Packet (Homogenize) Milk	In its own packet	2-3	Pure Milk – In its own packet
Cheese-excluding white cheese	In slices	6-8	Original package may be used for short storing period. It should be wrapped in foil for longer periods.
Butter, margarine	In its package	6	

	Maximum Storing time (months)	Thawing time in room temperature (hours)	Thawing time in oven (minutes)
Bread	4 - 6	2 - 3	4-5 (220-225 °C)
Biscuits	3 - 6	1 - 1,5	5-8 (190-200 °C)
Pastry	1 - 3	2 - 3	5-10 (200-225 °C)
Pie	1 - 1,5	3 - 4	5-8 (190-200 °C)
Phyllo dough	2 - 3	1 - 1,5	5-8 (190-200 °C)
Pizza	2 - 3	2 - 4	15-20 (200 °C)

Meat and fish	Preparation	Maximum Storing time (month)
Steak	Wrapping in a foil	6 - 8
Lamb meat	Wrapping in a foil	6 - 8
Veal roast	Wrapping in a foil	6 - 8
Veal cubes	In small pieces	6 - 8
Lamb cubes	In pieces	4 - 8
Minced meat	In packages without using spices	1 - 3
Giblets (pieces)	In pieces	1 - 3
Bologna sausage/salami	Should be packaged even if it has membrane	1 - 3
Chicken and turkey	Wrapping in a foil	4 - 6
Goose and Duck	Wrapping in a foil	4 - 6
Deer, Rabbit, Wild Boar	In 2.5 kg portions and as fillets	6 - 8
Freshwater fishes (Salmon, Carp, Crane, Siluroidea)	After cleaning the bowels and scales of the fish, wash and dry it; and if necessary, cut off the tail and head.	2
Lean fish; bass, turbot, flounder		4
Fatty fishes (Tunny, Mackarel, bluefish, anchovy)		2 - 4
Shellfish	Cleaned and in bags	4 - 6
Caviar	In its package, aluminium or plastic container	2 - 3
Snails	In salty water, aluminum or plastic container	3

Note: Frozen meat should be cooked as fresh meat after being thawed. If the meat is not cooked after being thawed, it should never be frozen again.

Vegetables and Fruits	Preparation	Maximum Storing time (months)
String beans and beans	Wash and cut into small pieces and boil in water	10 - 13
Beans	Hull and wash and boil in water	12
Cabbage	Cleaned and boil in water	6 - 8
Carrot	Clean and cut to slices and boil in water	12
Pepper	Cut the stem, cut into two pieces, remove the core and boil in water	8 - 10
Spinach	Washed and boil in water	6 - 9
Cauliflower	Take the leaves apart, cut the heart into pieces, and leave it in water with a little lemon juice for a while	10 - 12
Eggplant	Cut to pieces of 2cm after washing	10 - 12
Corn	Clean and pack with its stem or as sweet corn	12
Apple and pear	Peel and slice	8 - 10
Apricot and Peach	Cut into two pieces and remove the stone	4 - 6
Strawberry and Blackberry	Wash and hull	8 - 12
Cooked fruits	Adding 10 % of sugar in the container	12
Plum, cherry, sourberry	Wash and hull the stems	8 - 12

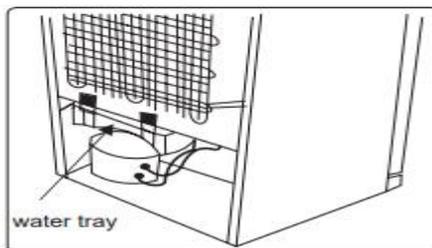
VIII. CLEANING AND MAINTENANCE

- Disconnect the unit from the power supply before cleaning.
- Do not wash your appliance by pouring water on it.
- Do not use abrasive products, detergents or soaps for cleaning the appliance. After washing, rinse with clean water and dry carefully. When you have finished cleaning, reconnect the plug to the mains supply with dry hands.
- Make sure that no water enters the lamp housing and other electrical components.
- The appliance should be cleaned regularly using a solution of bicarbonate of soda and lukewarm water.
- Clean the accessories separately by hand with soap and water. Do not wash accessories in a dish washer.
- Clean the condenser with a brush at least twice a year. This will help you to save on energy costs and increase productivity.

The power supply must be disconnected during cleaning.

Defrosting

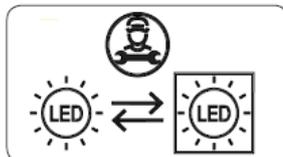
- Your appliance performs automatic defrosting. The water formed as a result of defrosting passes through the water collection spout, flows into the vaporisation container behind your appliance and evaporates there.
- Make sure you have disconnected the plug of your appliance before cleaning the vaporisation container.
- Remove the vaporisation container from its position by removing the screws as indicated. Clean it with soapy water at specific time intervals. This will prevent odours from forming.



Replacing LED lighting

If your refrigerator has LED lighting contact the help desk as this should be changed by authorized personnel only.

Note: The numbers and location of the LED strips may change according to the model.



If product equipped with LED lamp: This product contains a light source of energy efficiency class <E>.

If product equipped with LED Strip(s) or LED card(s): This product contains a light source of energy efficiency class <F>.

Transportation and changing of installation position

- The original packages and foamed polystyrene (PS) can be retained if required.
- During transportation, the appliance should be secured with a wide string or a strong rope. The instructions written on the corrugated box must be followed while transporting.
- Before transporting or changing the installation position, all the moving objects (ie, drawer, Ice trays) should be taken out or fixed with bands in order to prevent them from getting damaged.

Carry your freezer in the upright position.

Repositioning the door

- It is not possible to change the opening direction of your freezer door, if the door handle on your freezer is installed from the front surface of the door.
- It is possible to change the opening direction of the door on models without any handles.
- If the door opening direction of your freezer may be changed, you can contact a service or a similar qualified person if you want to have the opening direction changed. This operation is not free of charge.

IX. TROUBLESHOOTING

Alarm indicator LED is turning on	MEANING	WHY	WHAT TO DO
	"Failure" Warning	There is/are some part(s) out of order or there is a failure in the cooling process. The product is plugged for the first time or a long-time power interruption for 1 hour.	Check the door is open or not and check if the product working 1 hour. If the door is not open and the product had worked 1 hour, call service for assistance as soon as possible.

Your appliance will warn you if the temperature(s) is/are at improper levels or if a problem occurs with the appliance. In case of a problem within the appliance, the alarm led will release red light. If you are experiencing a problem with your appliance, please check the following before contacting the after-sales service.

What to do if your appliance does not operate

Check that:

- There is power
- The plug is correctly placed in the socket
- The plug fuse or the mains fuse has blown
- The socket is defective. To check this, plug another working appliance into the same socket.

What to do if your appliance performs poorly

Check that:

- You have not overloaded the appliance;
- The doors are closed perfectly
- There is no dust on the condenser
- There is enough place at the rear and side walls

If your freezer is operating too loudly

Normal Noises

Cracking (Ice cracking) Noise:

- During automatic defrosting.
- When the appliance is cooled or warmed (due to expansion of appliance material).

Short cracking: Heard when the thermostat switches the compressor on/off.

Compressor noise: Normal motor noise. This noise means that the compressor operates normally. Compressor may cause more noise for a short time when it is activated.

Bubbling noise and splash: This noise is caused by the flow of the refrigerant in the tubes of the system.

Water flow noise: Normal flow noise of water flowing to the evaporation container during defrosting. This noise can be heard during defrosting.

Air Blow Noise: Normal fan noise. This noise can be heard in No-Frost freezer during normal operation of the system due to the circulation of air.

If the edges of freezer cabinet that the door joint contact are warm

Especially in summer (hot weather), the surfaces that the joint contact may get warmer during the operation of the compressor, this is normal.

If humidity builds up inside the freezer

- Are all food packed properly? Are the containers dried before placing them in the freezer?
- Is the freezers door opened frequently? Humidity of the room gets in the freezer when the doors are opened. Humidity build up will be faster when you open the doors more frequently, especially if the humidity of the room is high.

If the door is not opened and closed properly

- Do the food packages prevent closing of the door?
- Are the drawers placed properly?
- Are door joints broken or torn?
- Is your freezer on a level surface?

Recommendations

- If the appliance is switched off or unplugged, wait at least 5 minutes before plugging the appliance in or restarting it in order to prevent damage to the compressor.
- If you will not use your appliance for a long time (e.g. in summer holidays) unplug it. Clean your appliance according to chapter cleaning and leave the door open to prevent humidity and smell.
- If a problem persists after you have followed all the above instructions, please consult the nearest authorised service centre.
- The appliance you have purchased is designed for domestic use only. It is not suitable for commercial or common use. If the consumer uses the appliance in a way that does not comply with this, we emphasise that the manufacturer and the dealer will not be responsible for any repair and failure within the guarantee period.

Tips for saving energy

1. Install the appliance in a cool, well-ventilated room, but not in direct sunlight and not near a heat source (such as a radiator or oven) otherwise an insulating plate should be used.
2. Allow warm food and drinks to cool before placing them inside the appliance.
3. Place thawing food in the refrigerator compartment if available. The low temperature of the frozen food will help cool the refrigerator compartment while the food is thawing. This will save energy. Frozen food left to thaw outside of the appliance will result in a waste of energy.
4. Drinks or other liquids should be covered when inside the appliance. If left uncovered, the humidity inside the appliance will increase, therefore the appliance uses more energy. Keeping drinks and other liquids covered helps preserve their smell and taste.
5. Avoid keeping the doors open for long periods and opening the doors too frequently as warm air will enter the appliance and cause the compressor to switch on unnecessarily often.
6. Keep the covers of the different temperature compartments (such as the crisper and chiller if available) closed.
7. The door gasket must be clean and pliable. In case of wear, replace the gasket.

CUSTOMER CARE AND SERVICE

Always use original spare parts.

When contacting our Authorised Service Centre, ensure that you have the following data available:
Model and Serial Number.

The information can be found on the rating plate. Subject to change without notice.

TECHNICAL DATA

The technical information is situated in the rating plate on the internal side of the appliance and on the energy label.

The QR code on the energy label supplied with the appliance provides a web link to the information related to the performance of the appliance in the EU EPREL database.

Keep the energy label for reference together with the user manual and all other documents provided with this appliance.

It is also possible to find the same information in EPREL using the link <https://eprel.ec.europa.eu> and the model name and product number that you find on the rating plate of the appliance.

To access information about your product in the EPREL portal, you can scan the codes below:

HFF-V280NFE++



HFF-V280NFSE++



Thank you for purchasing this product. If you need support with your product, visit our website using the links below.

Get User manuals: <https://www.heinner.ro>

Get Service information: <https://www.heinner.ro>



Environment friendly disposal

You can help protect the environment!

Please remember to respect the local regulations: hand in the non-working electrical equipment's to an appropriate waste disposal center.



HEINNER is a registered trademark of **Network One Distribution SRL**. Other brands and product names are trademarks or registered trademarks of their respective holders.

No part of the specifications may be reproduced in any form or by any means or used to make any derivative such as translation, transformation, or adaptation without permission from NETWORK ONE DISTRIBUTION.

Copyright © 2013 Network One Distribution. All rights reserved.

www.heinner.com, <http://www.nod.ro>

<http://www.heinner.com>, <http://www.nod.ro>



This product is in conformity with norms and standards of European Community

Importer: **Network One Distribution**

Marcel Iancu Street, 3-5, Bucharest, Romania

Tel: +40 21 211 18 56, www.heinner.com, www.nod.ro

HEINNER

CONGELATOR

Model:

HFF-V280NFE++/HFF-V280NFSE++



- Congelator
- Capacitate totala: 280 L
- Clasa energetica: E

Vă mulțumim pentru alegerea acestui produs!

I. INTRODUCERE

Înainte de a utiliza acest aparat, citiți cu atenție manualul de instrucțiuni și păstrați-l pentru consultări ulterioare.

Acest manual este conceput pentru a vă oferi toate instrucțiunile necesare referitoare la instalarea, utilizarea și întreținerea aparatului.

Pentru utilizarea corectă și în siguranță a aparatului, vă rugăm să citiți cu atenție acest manual de instrucțiuni, înainte de instalare și utilizare.

II. CONȚINUTUL PACHETULUI DUMNEAVOASTRĂ



- Congelator
- Manual de utilizare
- Certificat de garanție

III. MASURI DE SIGURANTA

Avertizări generale

AVERTIZARE: Mențineți fantele de ventilație ale aparatului libere de obstacole.

AVERTIZARE: Nu utilizați dispozitive mecanice sau alte mijloace pentru a accelera procesul de dezghețare, cu excepția celor recomandate de către producător.

AVERTIZARE: Nu utilizați aparate electrice în interiorul compartimentelor de depozitare a alimentelor, exceptând cazul în care acestea sunt de tipul celor recomandate de către producător.

AVERTIZARE: Nu deteriorați circuitul agentului frigorific.

AVERTIZARE: Când poziționați aparatul, verificați cablul de alimentare să nu fie comprimat sau deteriorat.

AVERTIZARE: Nu plasați prize portabile multiple sau surse de alimentare portabile la partea din spate a aparatului.

AVERTISMENT: Pentru a evita riscurile ce survin în urma instabilității aparatului, acesta trebuie fixat conform instrucțiunilor.



Simbol ISO 7010 W021

AVERTIZARE: Risc de incendiu / materiale inflamabile

- Dacă aparatul dumneavoastră utilizează agentul frigorific R600a (această informație se află pe eticheta frigiderului) trebuie să aveți grijă în timpul transportului și al instalării pentru a împiedica deteriorarea elementilor de răcire al aparatului. Aceasta chiar dacă R600a este un gaz natural, care nu afectează mediul înconjurător. În cazul unei scurgeri provocate de deteriorarea elementilor de răcire, mutați frigiderul la distanță de flăcări deschise sau de surse de căldură și aerisiți câteva minute încăperea în care se află aparatul.
- Nu deteriorați circuitul gazului de răcire în timpul transportului și poziționării frigiderului.
- Nu depozitați în aparat substanțe explozive precum doze de aerosoli cu gaz propulsor inflamabil.
- Acest aparat este destinat a fi utilizat în gospodărie și în aplicații similare, precum:
 - bucătării ale personalului din magazine, birouri sau alte medii de lucru.
 - ferme, precum și de către clienții hotelurilor, motelurilor și ai altor medii de tip rezidențial.
 - pensiuni
 - catering și aplicații non-retail similare.
- Dacă ștecherul frigiderului nu se potrivește cu priza, el trebuie înlocuit de către agentul de service sau de persoane cu o calificare similară, pentru a evita pericolele.
- Cablul de alimentare al frigiderului este echipat cu un ștecher special cu împământare. Acest ștecher trebuie utilizat cu o priză specială cu împământare, de 16 amperi. Dacă nu aveți o astfel de priză în locuința dumneavoastră, apălați la un electrician autorizat pentru a o instala.
- Acest produs poate fi utilizat de către copii cu vârsta minimă de 8 ani și de persoanele cu capacități fizice, senzoriale sau mentale reduse sau lipsă de experiență și cunoștințe, dacă aceștia au fost supravegheați sau instruiți cu privire la utilizarea produsului într-un mod sigur și că înțeleg pericolele implicate. Copiii nu trebuie să se joace cu produsul. Operațiunile de curățare și întreținere nu trebuie să fie efectuate de către copii fără supraveghere.
- Copiilor cu vârste cuprinse între 3 și 8 ani le este permis să introducă și să scoată alimente din aparatele frigorifice. Copiilor foarte mici (0-3 ani) nu le este permis să folosească aparatul cu excepția cazului în care se asigură supravegherea continuă a acestora. Copiii mai mari (8-14 ani) și persoanele vulnerabile pot folosi aparatele în condiții de siguranță, după ce li s-a acordat supravegherea sau instrucțiunile corespunzătoare privind utilizarea aparatului.
- În cazul în care cablul de alimentare este deteriorat, acesta trebuie înlocuit de către agentul de service autorizat sau persoane cu o calificare similară, pentru a evita pericolele.
- Acest produs nu este destinat a fi utilizat la altitudini de peste 2000 de metri.

Congelatoarele vechi si defecte

- Dacă vechiul dumneavoastră congelator are un sistem de blocare, stricați-l sau demontați-l înainte de a-l arunca, deoarece copiii s-ar putea bloca în interiorul acestuia, ceea ce ar putea provoca un accident.
- Frigiderele și congelatoarele vechi conțin material de izolare și agent frigorific cu CFC. Așadar, depozitați congelatorul vechi la punctele de colectare pentru a proteja mediul înconjurător.
- Solicitați informații de la autoritățile locale despre depozitarea la deșeurile de DEEE în scopul reutilizării, reciclării și recuperării.

Note:

- Înainte de instalarea și utilizarea aparatului, vă rugăm să citiți cu atenție manualul de instrucțiuni.

Nu suntem responsabili pentru deteriorarea cauzată de utilizarea necorespunzătoare.

- Respectați toate instrucțiunile de pe aparat și din manualul de instrucțiuni și păstrați acest manual la loc sigur, pentru a remedia problemele care ar putea interveni în viitor.
- Acest aparat este destinat uzului casnic și trebuie utilizat numai în scopurile specificate. Nu este destinat pentru uz comercial sau uz comun. O astfel de utilizare va duce la anularea garanției aparatului, iar compania noastră nu va fi responsabilă pentru pierderile care vor apărea.
- Acest aparat este produs pentru utilizarea casnică și este potrivit numai pentru congelarea/depozitarea alimentelor. Nu este potrivit utilizării comerciale sau în comun și/sau pentru depozitarea substantelor nealimentare. Compania noastră nu este responsabilă de pierderile create în urma utilizării necorespunzătoare a aparatului.

Avertizari privind siguranta

- Nu conectați congelatorul la rețeaua de electricitate cu ajutorul unui prelungitor.
- Nu conectați la prize defecte, fisurate sau vechi.
- Nu trageți, îndoiiți sau deteriorați cablul.
- Acest aparat este proiectat pentru a fi utilizat de către adulți; nu permiteți copiilor să se joace cu acest aparat sau să se lase pe ușă.
- Nu atingeți niciodată cablul de alimentare/fișa cu mâinile ude, deoarece aceasta ar putea provoca un scurtcircuit sau un șoc electric.
- Nu introduceți sticle sau doze cu băuturi în compartimentul de producere a gheții, deoarece ar putea exploda în urma congelării conținutului.
- Nu amplasați materiale explozive sau inflamabile în congelator. Amplasați băuturile cu conținut ridicat de alcool în poziție verticală și asigurați-vă că recipientele sunt închise etanș.
- Atunci când scoateți gheața din compartimentul de producere a gheții, nu o atingeți. Gheața poate provoca degerături și/sau poate tăia.
- Nu atingeți produsele congelate cu mâinile ude! Nu mâncați înghețata și cuburile de gheață imediat după ce le-ați scos din compartimentul de produs gheață!
- Nu recongelați alimentele după ce acestea au fost decongelate. Acest lucru ar putea cauza probleme de sănătate, cum ar fi toxinfecțiile alimentare.
- Nu acoperiți corpul sau partea de sus a frigiderului cu nici un material textil. Aceasta influențează performanța congelatorului dumneavoastră.
- Fixați accesoriile în congelator în timpul transportului, pentru a preveni deteriorarea acestora.

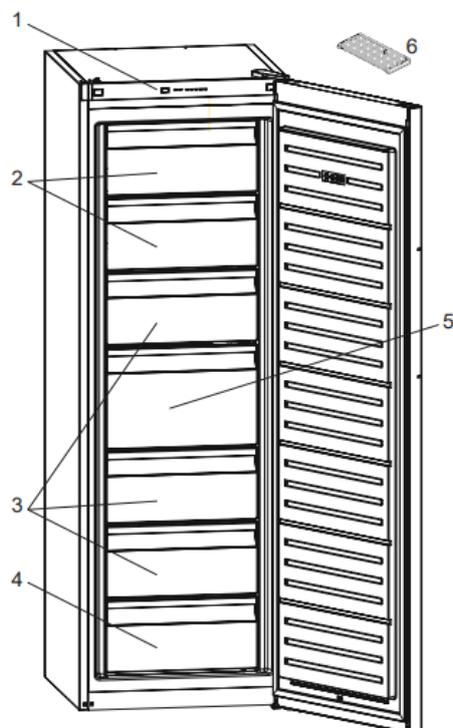
Pentru a evita contaminarea alimentelor, respectați instrucțiunile de mai jos:

- Dacă ușa aparatului este lăsată deschisă pe perioade lungi, temperatura din compartimentele aparatului crește semnificativ.
- Curățați periodic suprafețele care pot intra în contact cu alimentele, precum și sistemele de scurgere ale aparatului.
- Păstrați carnea crudă și peștele proaspăt în recipiente corespunzătoare, astfel încât produsele să nu intre în contact cu alte alimente.
- Compartimentele de congelare cu două stele sunt potrivite pentru păstrarea alimentelor precongelaate, păstrarea sau prepararea înghețatei și producerea cuburilor de gheață.
- Compartimentele cu una, două și trei stele nu sunt potrivite pentru congelarea alimentelor proaspete.
- Dacă aparatul frigorific este lăsat gol pe perioade lungi, opriți-l, decongelați-l, curățați-l, ștergeți-l bine și lăsați-i ușa deschisă, pentru a preveni formarea mucegaiului în interiorul acestuia.

IV. DESCRIEREA PRODUSULUI

HFF-V280NFE++

Acest aparat frigorific nu este destinat utilizării ca aparat încorporat.

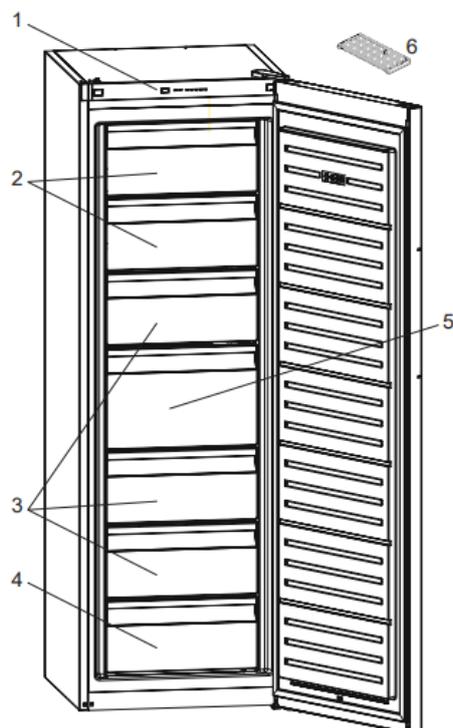


Această prezentare are doar scopul de a vă informa despre componentele aparatului. Componentele pot varia, în funcție de modelul aparatului.

1	Panou de control
2	Clapete congelator
3	Sertare congelator
4	Sertarul inferior al congelatorului
5	Sertarul mare al congelatorului
6	Tava pentru gheata

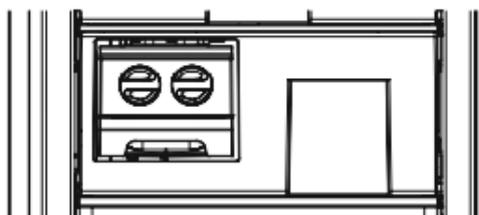
HFF-V280NFSE++

Acest aparat frigorific nu este destinat utilizării ca aparat încorporat.



Această prezentare are doar scopul de a vă informa despre componentele aparatului. Componentele pot varia, în funcție de modelul aparatului.

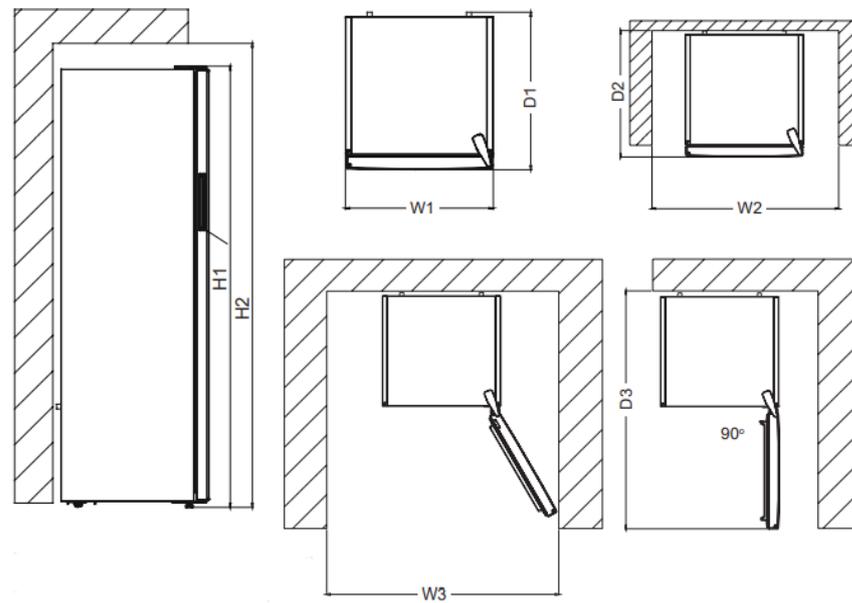
1	Panou de control
2	Clapete congelator
3	Sertare congelator
4	Sertarul inferior al congelatorului
5	Sertarul mare al congelatorului
6	Tava pentru gheata



Acest model este echipat cu compartiment rotativ pentru cuburi de gheata (Icematic), in sertarul de sus.

Compartiment congelator: Utilizarea cea mai eficientă a energiei este asigurată în configurația cu sertarele amplasate ca in ilustratia de mai sus.

Dimensiuni



Dimensiuni totale

H1	mm	1860
W1	mm	595
D1	mm	650

Spațiu necesar în utilizare

H2	mm	2010
W2	mm	695
D2	mm	752.5

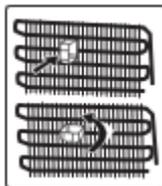
Spațiu total necesar pentru utilizare

W3	mm	710.6
D3	mm	1243.5

V. INSTALAREA ȘI FUNCȚIONAREA CONGELATORULUI

Înainte de a utiliza frigiderul pentru prima oară, acordați atenție următoarelor puncte:

- Tensiunea de funcționare a congelatorului este de 220-240 V la 50 Hz.
- Ștecherul trebuie să fie accesibil după instalare.
- Atunci când este pus în funcțiune pentru prima dată, frigiderul poate prezenta un miros. Acest lucru este normal, iar mirosul se va atenua odată cu răcirea congelatorului.
- Înainte de a conecta frigiderul, asigurați-vă că informațiile de pe plăcuța cu date tehnice (tensiunea sau sarcina la conectare) se potrivesc cu acelea ale rețelei de alimentare cu energie. Dacă aveți îndoieli, consultați un electrician calificat.
- Introduceți ștecherul într-o priză care dispune de o împământare eficientă. Dacă priza nu are împământare sau ștecherul nu se potrivește cu priza, vă recomandăm să cereți sprijinul unui electrician autorizat.
- Aparatul trebuie conectat la o priză corect instalată, cu protecție fuzibilă. Alimentarea electrică (CA) și tensiunea la punctul de funcționare trebuie să coincidă cu detaliile de pe plăcuța de identificare a aparatului (plăcuța de identificare se află în interiorul aparatului, în partea stângă).
- Nu ne asumăm răspunderea pentru daunele survenite din cauza utilizării fără împământare.
- Așezați frigiderul într-un loc ferit de lumina directă a soarelui.
- Frigiderul dumneavoastră nu trebuie utilizat niciodată în aer liber sau lăsat în ploaie.
- Aparatul dumneavoastră ar trebui să se afle la cel puțin 50 cm distanță de plite, cuptoare cu gaz și de radiatoare și ar trebui să se afle la cel puțin 5 cm distanță față de cuptoarele electrice.
- Când frigiderul dumneavoastră este așezat lângă un congelator, ar trebui să existe o distanță de cel puțin 2 cm între acestea, pentru a preveni umezirea suprafeței exterioare.
- Nu acoperiți corpul sau partea superioară a congelatorului cu dantelă. Acestea afectează performanța frigiderului dumneavoastră.
- Este necesar un spațiu liber de minimum 150 mm deasupra aparatului. Nu așezați nimic pe aparat.
- Nu așezați obiecte grele pe aparat.
- Curățați foarte bine aparatul, în special la interior, înainte de a-l utiliza (vezi Curățarea și întreținerea).
- Înainte de a utiliza frigiderul, ștergeți toate componentele cu apă caldă, în care ați dizolvat o linguriță de bicarbonat de sodiu. Apoi, clătiți cu apă curată și lăsați să se usuce. După curățare, montați toate componentele în frigider.
- Picioarele frontale ajustabile ar trebui ajustate în așa fel încât să vă asigurați că aparatul dumneavoastră este stabil și la nivel. Dumneavoastră puteți regla picioarele rotindu-le în orice direcție. Lucrul acesta ar trebui făcut înainte de a așeza alimentele în frigider.
- Instalați distanțierul (ii) din plastic pe condensator (paletele negre din partea din spate a aparatului) rotindu-l (e) la 90° (după cum este ilustrat în figură) astfel încât condensatorul să nu atingă peretele.



- Distanța dintre aparat și peretele din spate trebuie să fie de maximum 75 mm.
- Acest aparat este creat pentru a funcționa în condiții climatice dificile (până la 43 °C sau 110° F) și este alimentat cu tehnologia „Freezer Shield”, care asigură că mâncarea înghețată în congelator nu se va dezgheța chiar dacă temperatura ambientală scade la -15 °C. Vă puteți instala aparatul într-o cameră neîncălzită, fără să vă faceți griji că mâncarea înghețată în congelator se va strica. Când temperatura ambientală revine la normal, puteți folosi în continuare aparatul ca de obicei.

Înainte de utilizarea congelatorului:

- La prima utilizare a congelatorului sau după transport, lăsați-l în poziție verticală timp de minimum 3 ore, înainte de a-l conecta la priză. Aceasta va permite funcționarea eficientă și va împiedica defectarea compresorului.
- Atunci când este pus în funcțiune pentru prima dată, congelatorul poate prezenta un miros. Acest lucru este normal, iar mirosul se va atenua odată cu răcirea congelatorului.

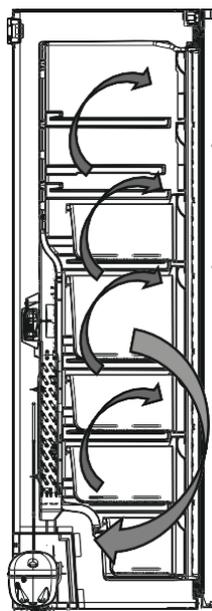
Informații despre tehnologia No-Frost

Congelatoarele No-frost diferă față de alte congelatoare statice ca principiu de funcționare.

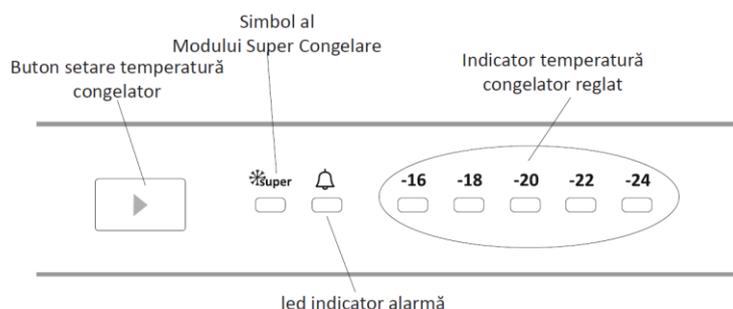
La congelatoarele normale, umiditatea intrată în congelator la deschiderea ușii și cea provenită din alimente, duce la formarea gheții în compartimentul congelator. Pentru a dezgheța compartimentul congelator, este necesar să opriți periodic congelatorul, să plasați alimentele congelate într-un recipient răcit separat și să îndepărtați gheața acumulată în compartimentul congelator.

Situația este complet diferită în cazul congelatoarelor no-frost. Aerul rece și uscat este suflat omogen și uniform în compartimentul congelator, prin câteva puncte de către un ventilator. Aerul rece dispersat în mod omogen și uniform între rafturi răcește toate alimentele în mod egal și uniform, evitând astfel umiditatea și formarea gheții.

Astfel, congelatorul dvs. no-frost este mai simplu de folosit, are o capacitate sporită și un aspect stilat.



VI. UTILIZAREA CONGELATORULUI



Buton setare temperatură partiție congelator

Acest buton vă permite să setați temperatura congelatorului. Pentru a seta valorile pentru partiția congelatorului, apăsați acest buton. De asemenea, utilizați acest buton pentru a activa modul SF.

Lumină alarmă

În cazul unei probleme în interiorul congelatorului, ledul alarmei va emite lumină de culoare roșie.

Mod Super Congelare

Când trebuie să fie utilizat?

- Pentru congelarea unor cantități mari de alimente.
- Pentru congelarea alimentelor fast food.
- Pentru congelarea rapidă a alimentelor.
- Pentru depozitarea pentru un timp îndelungat a alimentelor sezoniere.

Cum se folosește?

- Apăsați butonul de setare a temperaturii până când lumina de super congelare pornește.
- Ledul de super congelare se va aprinde în acest mod.
- Cantitatea maximă de alimente proaspete (în kilograme) care poate fi congelată în 24 de ore este prezentată pe eticheta aparatului.
- Această opțiune este activată cu 24 de ore înainte de a introduce alimentele proaspete la congelator. După 54 de ore, revine la valoarea normală setată.

În acest mod: Dacă dumneavoastră apăsați butonul de setare al temperaturii, modul va fi anulat iar setarea va fi restabilită de la -16.

Modul Super Congelare va fi anulat automat după 54 de ore, în funcție de temperatura mediului, sau după ce senzorul congelatorului atinge o temperatură suficient de joasă.

Reglarea temperaturii congelatorului

- Temperatura inițială a display-ului de setare este de -18 °C.
- Apăsați o singură dată butonul de setare al congelatorului.
- De fiecare dată când apăsați butonul, temperatura setată va scădea. (-16 °C, -18 °C, -20 °C, super congelare).
- Dacă apăsați pe butonul de setare al congelatorului până când este afișat simbolul de super congelare pe display-ul de setare al congelatorului și dacă nu apăsați vreun alt buton în următoarele 3 secunde, Super Congelare va clipi.
- Dacă mențineți butonul apăsat, acesta va reporni de la ultima valoare.

Când să ajustați	Temperatura interioară
Pentru o capacitate minimă de congelare	-16 °C, -18 °C
În uz normal	-18 °C, -20 °C, -22 °C
Pentru o capacitate maximă de congelare	-24 °C

Mod stand-by

Cum se activează?

Setați valoarea „-16” și apăsați pe butonul Setare până când toate LED-urile luminează intermitent de trei ori.

Cum funcționează?

În modul stand-by, toate componentele vor fi dezactivate. Dacă utilizatorul apasă butonul Setare în timp ce se află în modul stand-by, toate LED-urile vor lumina intermitent de trei ori pentru a arăta că modul stand-by este activ.

Cum se dezactivează?

Apăsați și țineți apăsat butonul Setare până când afișajul revine la funcționarea normală. După ce modul este dezactivat, „LED-ul Alarmă” se va aprinde pe afișaj, deoarece produsul poate fi fierbinte. „LED-ul alarmă” se va stinge când produsul ajunge la temperatura normală

Avertismente pentru setările de temperatură

- Aparatul dumneavoastră este proiectat pentru a funcționa în intervalele de temperatura ambientală menționate în standarde, potrivit clasei de climă menționate pe eticheta cu informații. În ceea ce privește eficiența de răcire a frigiderului, nu este recomandată utilizarea acestuia în medii care depășesc intervalele prezentate de temperatura. Aceasta va reduce eficiența aparatului în procesul de congelare.
- Temperatura trebuie reglată în funcție de frecvența de deschidere a ușii, de cantitatea de alimente din aparat și de temperatura ambientală din locul în care se află aparatul.
- Atunci când aparatul este pornit pentru prima oară, lăsați-l să funcționeze 24 de ore, pentru a atinge temperatura de funcționare. În acest timp, nu deschideți ușa prea des și nici nu așezați o cantitate mare de alimente în interiorul aparatului.
- Pentru a preveni deteriorarea compresorului aparatului dvs. la conectarea acestuia la rețea, la deconectarea de la aceasta sau în cazul unei pene de curent, aparatul este prevăzut cu o funcție de decalare de 5 minute. Aparatul va începe să funcționeze normal după 5 minute.

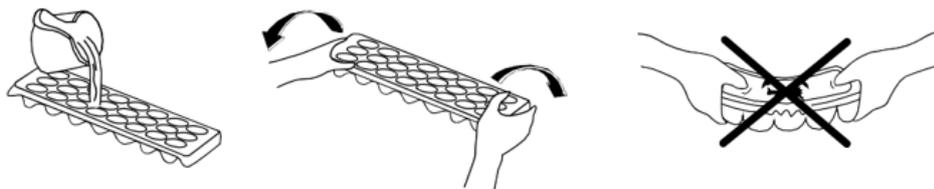
Semnificație clase climatice:

- temperată extinsă: acest aparat frigorific este destinat a fi utilizat la temperaturi ambientale cuprinse între 10 °C și 32 °C (SN);
- temperată: acest aparat frigorific este destinat a fi utilizat la temperaturi ambientale cuprinse între 16 °C și 32 °C (N);
- subtropicală: acest aparat frigorific este destinat a fi utilizat la temperaturi ambientale cuprinse între 16 °C și 38 °C (ST);
- tropicală: acest aparat frigorific este destinat a fi utilizat la temperaturi ambientale cuprinse între 16 °C și 43 °C (T);

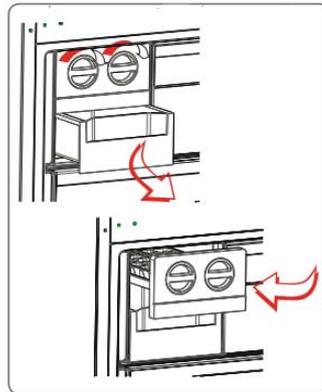
Accesorii

Tava de gheață

- Umpleți tava de gheață cu apă și așezați-o în compartimentul de congelare.
- După ce apa a înghețat complet, puteți răsufla tava așa cum arată figura, pentru a obține cuburile de gheață.



Icematic – compartiment rotativ pentru cuburi de gheata (doar pentru modelul HFF-V280NFSE++)



- Trageți maneta spre dvs. și scoateți tava pentru gheață.
- Umpleți cu apă până la nivelul liniei.
- Țineți capătul stâng al manetei și așezați tava pentru gheață pe cutia pentru gheață.
- După ce s-au format cuburile de gheață, răsușiți maneta pentru a lăsa cuburile de gheață în cutia pentru gheață.

Nu umpleți cutia pentru gheață cu apă pentru a face gheață. Se va sparge.

VII. DEPOZITAREA ALIMENTELOR

Pentru conditii normale de functionare, reglati temperatura din compartimentul congelator la -18/-20°C.

- Congelatorul este folosit pentru depozitarea alimentelor congelate, congelarea alimentelor proaspete si producerea cuburilor de gheata.
- Alimentele sub forma lichida trebuie congelate in vase de plastic, celelalte alimente trebuie congelate in folii sau pungi de plastic. Pentru a congela alimente proaspete impachetati si sigilati corect alimentele proaspete, astfel incat ambalajul sa fie etans si sa nu existe scurgeri. Ideal este sa utilizati pungile speciale pentru congelator, folia de aluminiu, pungi din polietilena si recipiente din plastic.
- Nu depozitati alimente proaspete impreuna cu alimente congelate deoarece acestea pot decongela alimentele congelate.
- Inainte de a congela alimente proaspete, Impartiti-le in portii care pot fi consumate la o singura masa.
- Consumati alimentele dezghetate dupa ce au fost congelate intr-un interval scurt de timp dupa decongelare.
- Respectati intotdeauna instructiunile producatorului de pe ambalajul alimentelor atunci cand depozitati alimente congelate. Daca nu se ofera informatii alimentele nu trebuie depozitate pe o perioada mai lunga de 3 luni de la data achizitionarii.
- Cand cumparati alimente congelate, asigurati-va ca au fost depozitate in conditii adecvate si ca ambalajul nu este deteriorat.
- Alimentele congelate trebuie transportate in recipiente adecvate si amplasate in congelator cat mai curand posibil.
- Nu cumparati alimente congelate daca ambalajul arata semne de umiditate Si umflare anormala. Este probabil sa fi fost depozitate la o temperatura inadecvata, iar continutul sa se fi deteriorat.
- Perioada de depozitare a alimentelor congelate depinde de temperatura camerei, setarea termostatului, frecventa de deschidere a usii, tipul de alimente si perioada de timp necesara pentru transportul produsului de la magazin la locuinta dumneavoastra. Respectati intotdeauna instructiunile de pe pachet si nu depasiti niciodata durata maxima de depozitare specificata.
- Daca usa congelatorului a fost lasata deschisa pentru mult timp sau nu a fost inchisa corect, se va forma gheata si aceasta poate impiedica circulatia eficienta a aerului. Pentru a rezolva, scoateti congelatorul din priza si asteptati sa se dezghete. Curatati congelatorul dupa ce s-a dezghetat complet.
- Volumul specificat pe eticheta al congelatorului este volumul fara cosuri, sertare Si asa mai departe.
- Nu recongelati alimentele dezghetate. Acest lucru poate fi periculos pentru sanatate, cu riscul de toxiiinfecție alimentara.

NOTA: Daca incercati sa deschideti usa congelatorului imediat dupa ce ati inchis-o, veti constata ca nu se va deschide usor. Acest lucru este normal. Odata restabilit echilibrul, usa se va deschide usor.

Dacă folosiți capacitatea maximă de congelare a congelatorului dvs.:

- În timpul congelării alimentelor proaspete, cantitatea maximă de alimente proaspete (în kg) care poate fi congelată în 24 de ore este indicată pe eticheta aparatului.
- Pentru performanța optimă a aparatului de a ajunge la capacitatea maximă de congelare, activați modul Super Congelare (SF) cu 24 de ore înainte de a depozita alimentele proaspete în frigider.
- După depozitarea alimentelor proaspete în congelator, 24 de ore sunt de obicei suficiente pentru congelare. Modul „Super congelare” se va dezactiva automat în 2-3 zile pentru a economisi energie.

Dacă congelați o cantitate mică (până la 3 kg) în congelatorul dvs.:

- Depozitați alimentele dvs. fără să le atingeți pe cele deja congelate și activați modul „Congelare rapidă”. Vă puteți pune alimentele alături de alte alimente congelate după ce s-au congelat complet (după minim 24 ore).
- Nu recongelați alimentele după ce acestea s-au decongelat. Acest lucru ar putea cauza probleme de sănătate, cum ar fi toxiinfecțiile alimentare.
- Lăsați alimentele fierbinți să se răcească complet înainte de a le depozita în congelator.
- Când cumpărați alimente congelate asigurați-vă că acestea au fost congelate la temperaturi potrivite, iar ambalajul este intact.
- Utilizați raftul de congelare rapidă pentru a congela rapid alimentele preparate în casa (sau alte alimente care trebuie congelate rapid) datorită puterii de congelare mai mari a acestuia. Raftul de congelare rapidă este sertarul de jos al compartimentului congelator.
- Pentru a utiliza capacitatea maximă a compartimentului congelator, folosiți rafturile de sticlă pentru secțiunile superioară și centrală și cosul din partea de jos în secțiunea inferioară.

Carne și pește	Pregătire	Durată de depozitare maximă (lună)
Cotlet	În folie	6 - 8
Carne de miel	În folie	6 - 8
Friptură de vițel	În folie	6 - 8
Cubulețe de vițel	Bucățele mici	6 - 8
Cubulețe de miel	Bucăți	4 - 8
Carne tocată	În pachete, fără condimente	1 - 3
Măruntaie (bucăți)	Bucăți	1 - 3
Salam	Trebuie ambalat chiar dacă are membrana	1 - 3
Pui și curcan	În folie	4 - 6
Gâscă și rață	În folie	4 - 6
Căprioară, iepure, mistreț	În porții de 2,5 kg și file	6 - 8
Pești de apă dulce (somon, crap, somn)	După curățarea măruntaielor și a solzilor peștelui, spălați-l și uscați-l; dacă este cazul, tăiați-i coada și capul.	2
Peste slab; biban, calcan, plătică		4
Peste gras (ton, macrou, lufăr, anșoa)		2 - 4
Scoici	Curățate și în pungi	4 - 6
Caviar	În ambalajul său, recipient din aluminiu sau din plastic	2 - 3
Melci	În apă sărată, recipient din aluminiu sau din plastic	3

Legume și fructe	Pregătire	Durată maximă de depozitare (luni)
Fasole verde și fasole boabe	Se spală, se taie bucățele și se fierbe în apă	10 - 13
Păstăi	Se desfac, se spală și se fierb în apă	12
Varză	Se curăță și se fierbe în apă	6 - 8
Morcov	Se curăță, se taie felii și se fierbe în apă	12
Ardei	Se taie codița, se taie în două, se scoate miezul și se fierbe în apă	8 - 10
Spanac	Se spală și se fierbe în apă	6 - 9
Conopidă	Se scot frunzele, se taie miezul bucăți și se lasă un timp în apă cu puțin suc de lămâie	10 - 12
Vinete	Se spală și se taie în bucăți de 2cm	10 - 12
Porumb	Spălați-l și ambalați-l cu cocean sau boabe	12
Mere și pere	Se decojesc și se feliază	8 - 10
Caise și piersici	Se taie în două și se scoate sâmburele	4 - 6
Căpșuni și mure	Se spală și se scot codițele	8 - 12
Fructe gătite	Se adaugă 10% zahăr în recipient	12
Prune, cireșe, vișine	Se spală și se scot codițele	8 - 12

Produse lactate	Pregătire	Durată maximă de depozitare (luni)	Condiții de depozitare
Lapte ambalat (omogenizat)	În ambalajul propriu	2 - 3	Lapte integral - în ambalajul propriu
Brânză-cu excepția brânzeturilor albe	Felii	6 - 8	Pentru perioade scurte de depozitare, se poate folosi ambalajul original. Pentru perioade mai lungi, se înfășoară în folie.
Unt, margarină	În ambalajul propriu	6	

	Durată maximă de depozitare (luni)	Durată de decongelare la temperatura camerei (ore)	Durată de decongelare în cuptor (min.)
Pâine	4 - 6	2 - 3	4-5 (220-225°C)
Biscuiți	3 - 6	1 - 1,5	5-8 (190-200°C)
Produse de patiserie	1 - 3	2 - 3	5-10 (200-225°C)
Plăcintă	1 - 1,5	3 - 4	5-8 (190-200°C)
Foietaje	2 - 3	1 - 1,5	5-8 (190-200°C)
Pizza	2 - 3	2 - 4	15-20 (200°C)

VIII. CURATARE SI INTRETINERE

- Deconectati unitatea de la sursa de alimentare, inainte de curatare.
- Nu spalati aparatul turnand apa pe el.
- Nu utilizati produse, detergenti sau sapunuri abrazive pentru a curata aparatul. Dupa spalare, clatiti cu apa si uscati cu grija. Dupa terminarea curatarii, reconectati stecherul la retea cu mainile uscate.
- Asigurati-va ca apa nu intra in compartimentul cu bec al frigiderului sau in alte elemente electrice.
- Aparatul trebuie curatat periodic utilizand o solutie de bicarbonat de sodiu si apa calduta.
- Curatati accesoriile separat, manual, cu apa si sapun. Nu spalati accesoriile intr-o masina de spalat vase.
- Curatati condensatorul cu o perie de cel putin doua ori pe an. Aceasta va ajuta la economisirea costurilor cu energia si la cresterea productivitatii.

Alimentarea cu energie trebuie intrerupta pe durata curatarii.

Decongelare

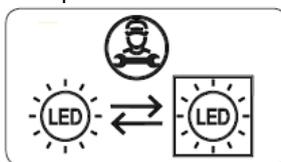
- Aparatul dvs. efectuează decongelarea automată. Apa formată ca urmare a dezghețării trece prin gura de colectare a apei curge în recipientul de vaporizare din spatele aparatului și se evaporă acolo.
- Asigurați-vă că ați deconectat ștecherul aparatului înainte de a curăța recipientul de vaporizare.
- Scoateți recipientul de vaporizare din poziția sa, îndepărtând șuruburile așa cum este indicat. Curățați-l cu apă cu săpun la anumite intervale de timp. Acest lucru va preveni formarea mirosurilor.



Înlocuirea luminii de tip LED

Dacă frigiderul dumneavoastră este prevăzut cu lumina tip LED, contactați centrul de asistență deoarece becul trebuie înlocuit doar de personal autorizat.

Notă: Numărul și amplasarea benzilor LED pot fi diferite în funcție de model.



Dacă produsul este echipat cu lampă LED: Acest produs conține o sursă de lumină de clasă de eficiență energetică <E>.

Dacă produsul este echipat cu benzi LED sau carduri LED: Acest produs conține o sursă de lumină de clasă de eficiență energetică <F>.

Transportarea și schimbarea poziției de instalare

- Pachetele originale și polistirenul spumă (PS) pot fi păstrate, dacă este nevoie.
- În timpul transportării, aparatul ar trebui să fie legat cu o bandă lată sau cu o frânghie puternică. Regulile inscripționate pe cutia gofrată trebuie respectate în timpul transportului.
- Înainte de a transporta sau de a schimba poziția veche de instalare, toate obiectele mobile (de ex., Racletă de plastic, Tavă pentru gheață și Protecție cameră congelator) ar trebui scoase sau fixate cu benzi, pentru a preveni deteriorarea acestora.

Transportați frigiderul în poziție verticală.

Repoziționarea ușii

- Nu este posibil să schimbați direcția de deschidere a ușii congelatorului dumneavoastră dacă mânerul ușii congelatorului este instalat din partea frontală a suprafeței ușii.
- Este posibil să schimbați direcția de deschidere a ușilor la modelele fără mâner.
- Dacă direcția de deschidere a ușii congelatorului dumneavoastră poate fi schimbată, puteți apela contra cost la un service sau persoane cu calificare similară dacă doriți să schimbați direcția de deschidere a ușii.

IX. DEPANARE

Se aprinde LED-ul indicator de alarmă	SEMNIFICAȚIE	DE CE	CE TREBUIE FĂCUT
	Avertisment „Defecțiune”	Există anumite piese defecte sau procesul de răcire nu funcționează. Produsul a fost conectat la priză pentru prima dată sau a avut loc o pană de curent de 1 oră.	Verificați dacă ușa este deschisă sau nu și dacă produsul a funcționat timp de 1 oră. Dacă ușa nu este deschisă și produsul a funcționat timp de 1 oră, sunați la serviciul pentru asistență cât mai repede posibil.

Aparatul dvs. va va avertiza daca temperatura(ile) se afla la niveluri necorespunzatoare sau daca se produce o problema cu aparatul. In cazul unei probleme a aparatului, ledul alarmei va emite lumina de culoare rosie.

Daca intampinati probleme cu aparatul, verificati urmatoarele, inainte de a contacta service-ul autorizat.

Verificați avertismentele:**În cazul în care congelatorul dvs. nu funcționează:**

- Există o pană de curent?
- Ștecherul este conectat corect la priză?
- Siguranța prizei la care este conectat ștecherul sau siguranța principală a sărit?
- Există o defecțiune la priză? Pentru a verifica acest lucru, conectați frigiderul într-o priză funcțională verificată.

Congelatorul dvs. nu răcește suficient:

- Ajustarea temperaturii este corectă?
- Ușa congelatorului este deschisă frecvent și lăsată deschisă pe perioadă îndelungată?
- Ușa congelatorului este închisă corespunzător?
- Ați pus un preparat sau un aliment în congelator care intră în contact cu peretele din spate al acestuia, astfel încât să împiedicați circulația aerului?
- Congelatorul este excesiv de plin?
- Există o distanță adecvată între congelator și pereții din spate și cei laterali?
- Temperatura ambientală se încadrează în valorile specificate în manualul de utilizare?

În cazul în care alimentele din congelator sunt răcite excesiv

- Ajustarea temperaturii este corectă?
- Există multe alimente puse recent în compartimentul congelatorului?

În cazul în care congelatorul dvs. funcționează cu zgomot puternic

Pentru a menține nivelul de răcire stabilit, compresorul poate fi activat periodic. Zgomotele produse de congelator în acest moment sunt normale și sunt cauzate de funcționarea acestuia. Atunci când nivelul de răcire necesar este atins, zgomotele se vor reduce automat. Dacă zgomotele persistă:

- Aparatul dvs. electrocasnic este stabil? Picioarele sunt reglate?
- Există un obiect în spatele congelatorului?
- Rafturile sau vasele de pe rafturi vibrează? Repoziționați rafturile și/sau vasele dacă este cazul.
- Obiectele de pe congelatorul dvs. vibrează?

Zgomote normale**Zgomot de gheață spartă**

- In timpul dezghețării automate.
- Cand aparatul electrocasnic este răcit sau încălzit (datorită extinderii materialului aparatului electrocasnic).

Zgomot scurt de fisurare: se aude când termostatul cuplează/decuplează compresorul.

Zgomotul compresorului (zgomot normal al motorului): Acest zgomot indică funcționarea corectă a compresorului. Compresorul poate emite zgomote pe o perioadă scurtă atunci când este activat.

Zgomot de bule și împrăscare: Acest zgomot este provocat de curgerea agentului de refrigerare prin tubulatura sistemului.

Zgomot de apă curgând: Zgomot normal de apă curgând în containerul de evaporare în timpul dezghețării. Zgomotul se poate auzi în timpul dezghețării.

Zgomot de aer suflat (zgomot normal al ventilatorului): Acest zgomot poate fi auzit în congelatorul No-frost în timpul funcționării normale a sistemului ca urmare a circulației aerului.

În cazul în care în interiorul congelatorului se acumulează umiditate.

- Alimentele au fost ambalate corespunzător? Containerele au fost bine uscate înainte de a fi puse în congelator?
- Ușa congelatorului este deschisă frecvent? Când se deschide ușa, umiditatea din aerul din cameră pătrunde în congelator. În special dacă nivelul umidității din cameră este prea mare, umidificarea va spori cu cât se deschide ușa mai frecvent.

Dacă ușile nu sunt deschise și închise corespunzător:

- Pachetele de alimente împiedică închiderea ușii?
- Sunt poziționate corect ușa, coșurile și cutia pentru gheață?
- Garnitura ușii este ruptă sau deteriorată?
- Congelatorul este amplasat pe o suprafață plană?

În cazul în care muchiile dulapului congelatorului cu care intră în contact îmbinările ușilor sunt calde

În special pe timpul verii (vreme caniculară), suprafețele de îmbinare se pot încălzi în timpul funcționării compresorului și acest lucru este normal.

Recomandari:

- Dacă aparatul este oprit sau deconectat, așteptați cel puțin 5 minute înainte de a-l conecta sau reporni, pentru a preveni deteriorarea compresorului.
- Dacă nu veți folosi aparatul mai mult timp (de exemplu în concediul de vara), scoateți-l din priză. Curățați aparatul conform capitolului referitor la curățare și lăsați ușa deschisă pentru a preveni formarea umezelii și mirosurilor.
- Dacă problema persistă după ce ați urmat toate instrucțiunile de mai sus, vă rugăm să luați legătura cu Centrul autorizat de service.
- Aparatul pe care l-ați cumpărat este destinat exclusiv utilizării de tip casnic. Nu este destinat pentru uz comercial sau uz comun. Dacă clientul utilizează aparatul fără a respecta aceste indicații, producătorul și distribuitorul nu își asumă răspunderea pentru reparațiile și defectele din perioada de garanție.

Sfaturi pentru economisirea energiei

1. Instalați aparatul într-o cameră răcoasă, bine ventilată, dar nu în lumina directă a soarelui și nici în apropierea unei surse de căldură (radiator, aragaz etc.), în caz contrar fiind necesară utilizarea unei plăci izolatoare.

2. Lăsați alimentele și băuturile calde să se răcească înainte de a le pune în aparat.

3. Amplasați alimentele care se decongelează în compartimentul frigider, dacă există. Temperatura joasă a alimentelor congelate va contribui la răcirea compartimentului frigiderului pe măsura ce acestea se decongelează. Aceasta va economisi energie. Alimentele congelate lăuate să se decongeleze în afara aparatului vor duce la pierderi de energie.

4. Băuturile sau alte lichide trebuie acoperite atunci când sunt în interiorul aparatului. Dacă sunt lăuate neacoperite, umiditatea din aparat va crește pentru că aparatul folosește mai multă energie. Acoperirea băuturilor și a altor lichide va contribui la păstrarea mirosului și a gustului.

5. Evitati sa tineti usile deschise pentru mult timp si sa deschideti usile prea des, deoarece aerul cald va intra in frigider si va determina compresorul sa porneasca prea des.
6. Pastrati inchise capacele compartimentelor cu temperaturi diferite din aparat (cutie pentru fructe si legume, racitor, daca exista).
7. Garnitura usii trebuie sa fie curata si maleabila. In cazul uzurii, inlocuiti garnitura.

SERVICE ȘI ASISTENȚĂ PENTRU CLIEȚI

Utilizați numai piese de schimb originale.

Când contactați centrul nostru de service autorizat, asigurați-vă că aveți la îndemână următoarele informații: Denumirea modelului și numărul de serie.

Informațiile pot fi găsite pe plăcuța cu date tehnice. Acestea pot suferi modificări fără o notificare prealabilă.

DATE TEHNICE

Informațiile tehnice se află pe plăcuța cu date tehnice a aparatului și pe eticheta energetică.

Codul QR de pe eticheta energetică furnizată împreună cu aparatul oferă un link web către informațiile din baza de date EPREL cu privire la performanțele aparatului.

Păstrați eticheta energetică pentru consultări ulterioare, împreună cu manualul de utilizare și cu toate celelalte documente furnizate împreună cu acest aparat.

De asemenea, puteți găsi aceleași informații în baza de date EPREL, folosind link-ul <https://eprel.ec.europa.eu> și denumirea modelului o găsiți pe plăcuța cu date tehnice a aparatului.

Pentru a accesa informațiile despre produsul Dvs în portalul EPREL, puteți scana codurile de mai jos:

HFF-V280NFE++



HFF-V280NFSE++



Vă mulțumim pentru achiziționarea acestui produs! Dacă aveți nevoie de asistență în ceea ce privește produsul dumneavoastră, vizitați site-ul nostru web utilizând linkurile de mai jos:

Manuale de utilizare: <https://www.heinner.ro>

Informații referitoare la service: <https://www.heinner.ro>



MASURI PENTRU PROTECTIA MEDIULUI

Va informam ca persoanele fizice au urmatoarele obligatii prin legislatia specifica privind protectia mediului si regimul deseurilor:

- Deseurile de echipamente electrice si electronice (DEEE), pot contine substante periculoase pentru mediu si sanatatea umana. Conform OUG 5/2015, exista obligativitatea predarii acestora, pentru tratarea corespunzatoare si valorificarea componentelor reciclabile. Societatea Network One Distribution S.R.L. este platitoare de taxa de " timbru verde" pentru fiecare Echipament Electric si Electronic (EEE) pe care il pune pe piata. Acest cost asigura tratarea ulterioara a echipamentelor uzate colectate. Din acest motiv, odata ce devine dezech, produsul EEE poate fi predat gratuit operatorului Dvs. de salubritate, la magazine atunci cand achizitionati alt echipament similar, sistemul "unul la unu "sau la punctul de colectare organizat de Primaria Sectorului / localitatii Dvs.

- Simbolul (marcajul) aplicat produselor, care indica faptul ca deseurile DEEE, bateriile si acumulatorii - fac obiectul unei colectari separate, il reprezinta o pubela barata cu o cruce.



Aceste masuri vor ajuta la protejarea mediului

Societatea Network One Distribution S.R.L. este inregistrata in Registrul de punere pe piata a echipamentelor electrice si electronice, avand numarul de inregistrare: RO-2016-03-EEE-0201-IV. De asemenea, au fost intocmite si sunt gestionate: Registrul de Retragere EEE si Registrul de Rechemare EEE, in conformitate cu HG 322/2013. Totodata societatea este inregistrata in Registrul de punere pe piata a bateriilor, avnd numarul de inregistrare: RO-2011-03-B&A-0283.

Conformitatea cu directiva RoHS: Produsul pe care l-ati cumparat este conform cu Directiva RoHS UE (2011/65/UE). Nu contine materialele daunatoare si interzise specificate in Directiva.

Va multumim ca participati alaturi de noi la protejarea mediului si a sanatatii umane!



HEINNER este marcă înregistrată a companiei **Network One Distribution SRL**. Celelalte branduri și denumirile produselor sunt mărci de comerț sau mărci de comerț înregistrate ale respectivilor deținători.

Nicio parte a specificațiilor nu poate fi reprodusă sub nicio formă și prin niciun mijloc, nici utilizată pentru obținerea unor derivate precum traduceri, transformări sau adaptări, fără consimțământul prealabil al companiei NETWORK ONE DISTRIBUTION.

Copyright © 2013 Network One Distribution. Toate drepturile rezervate.

www.heinner.com, <http://www.nod.ro>
<http://www.heinner.com>, <http://www.nod.ro>



Acest produs este proiectat și realizat în conformitate cu standardele și normele Comunității Europene.

Importator: **Network One Distribution**
Str. Marcel Iancu, nr. 3-5, București, România
Tel: +40 21 211 18 56, www.heinner.com, www.nod.ro