

HEINNER

DECORATIVE COOKER HOOD

Models: DCH-650RGBK



- Decorative cooker hood
- Suction power: 586 m³/h
- Color: black

www.heinner.ro

Thank you for purchasing this product!

I. INTRODUCTION

Please read the instructions carefully and keep the manual for future information.

This manual is designed to give all necessary instructions concerning installation, use and maintenance of the unit. In order to operate the unit correctly and safely, please read this instruction manual carefully before installation and use.

II. PACKAGE CONTENT

- **Decorative cooker hood**
- **User manual**
- **Warranty card**

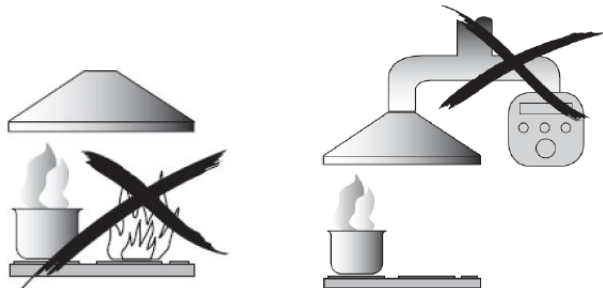


III. SAFETY PRECAUTION

This manual explains the proper installation and use of your cooker hood, please read it carefully before using even if you are familiar with the product. The manual should be kept in a safe place for future reference.

NEVER TO DO:

- Do not try to use the cooker hood without the grease filters or if the filters are excessively greasy!
- Do not install above a cooker with a high-level grill.
- Do not leave frying pans unattended during use because overheated fats or oils might catch fire.
- Never leave naked flames under the cooker hood.
- If the cooker hood is damaged, do not attempt to use.
- Do not flambé under the cooker hood.
- CAUTION: Accessible parts may become hot when used with cooking appliances.
- The minimum distance between the supporting surface for the cooking vessels on the hob and the lowest part of the cooker hood. (When the cooker hood is located above a gas appliance, this distance shall be at least 65 cm)
- The air must not be discharged into a flue that is used for exhausting fumes from appliances burning gas or other fuels.



ALWAYS TO DO:

- Important! Always switch off the electricity supply at the mains during installation and maintenance such as light bulb replacement.
- The cooker hood must be installed in accordance with the installation instructions and all measurements followed.
- All installation work must be carried out by a competent person or qualified electrician.
- Please dispose of the packing material carefully. Children are vulnerable to it.
- Pay attention to the sharp edges inside the cooker hood especially during installation and cleaning.

- When the cooker hood is located above a gas appliance, the minimum distance between the supporting surface for the cooking vessels on the hob and the lowest part of the cooker hood that distance must be:

Gas cookers: 75 cm

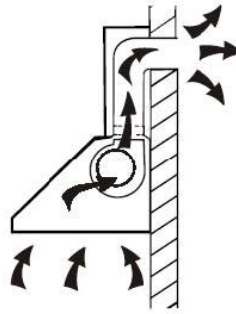
Electric cookers: 65 cm

Coal or oil cookers: 75 cm

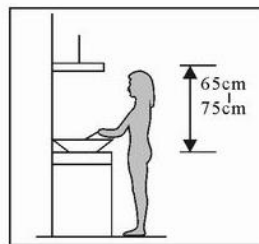
- Make sure the ducting has no bends sharper than 90 degrees as this will reduce the efficiency of the cooker hood.
- Warning: Failure to install the screws or fixing device in accordance with these instructions may result in electrical hazards.
- Always put lids on pots and pans when cooking on a gas cooker.
- When in extraction mode, air in the room is being removed by the cooker hood.
- Please make sure that proper ventilation measures are being observed. The cooker hood removes odours from room but not steam.
- Cooker hood is for domestic use only.
- If the supply cord is damaged, it must be replaced by the manufacturer, its service agent or similarly qualified persons in order to avoid a hazard.
- This appliance can be used by children aged from 8 years and above and persons with reduced physical, sensory or mental capabilities or lack of experience and knowledge if they have been given supervision or instruction concerning use of the appliance in a safe way and understand the hazards involved. Children shall not play with the appliance. Cleaning and user maintenance shall not be made by children without supervision.
- Caution: The appliance and its accessible parts can become hot during operation. Be careful to avoid touching the heating elements. Children younger than 8 years old should stay away unless they are under permanent supervision.
- There shall be adequate ventilation of the room when the cooker hood is used at the same time as appliances burning gas or other fuels.
There is a fire risk if cleaning is not carried out in accordance with the instructions
- Regulations concerning the discharge of air have to be fulfilled.
- Clean your appliance periodically by following the method given in the chapter MAINTENANCE.
- For safety reason, please use only the same size of fixing or mounting screw which are recommended in this instruction manual.
- Regarding the details about the method and frequency of cleaning, please refer to maintenance and cleaning section in the instruction manual.
- Cleaning and user maintenance shall not be made by children without supervision. When the cooker hood and appliances supplied with energy other than electricity are simultaneously in operation, the negative pressure in the room must not exceed 4 Pa (4×10^{-5} bar).

IV. INSTALLATION INSTRUCTIONS (VENT OUTSIDE)

If you have an outlet to the outside, your cooker hood can be connected as below picture by means of an extractions duct (enamel, aluminum, flexible pipe or inflammable material with an interior diameter of 150mm).



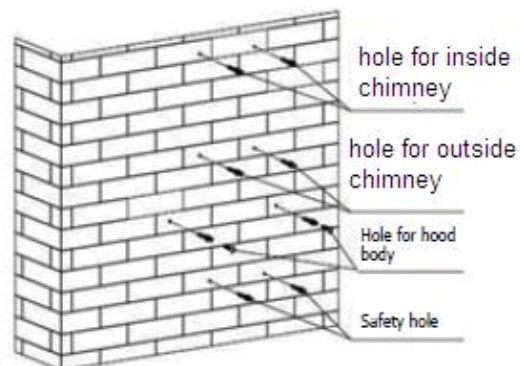
1. Before installation, turn the unit off and unplug it from the outlet.
2. The cooker hood should be placed at a distance of 65~75cm above the cooking plane for best effect.



Pic1

Pic 1

3. Using a drill bit with an 8mm diameter, make 8 holes in the wall at the position that you reserve for installing the chimney and cooker hood body. See Pic 2.



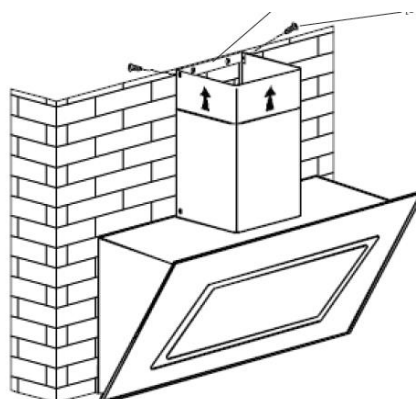
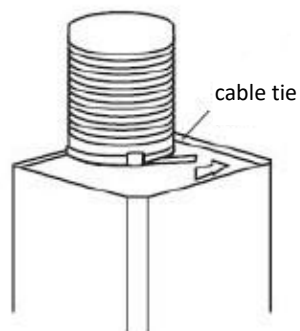
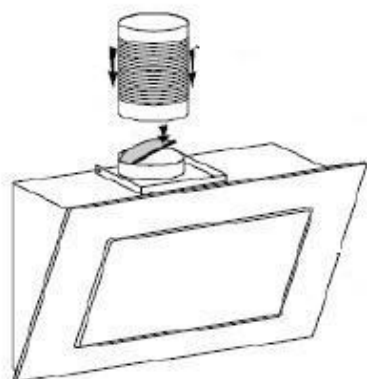
Pic 2

4. Insert wall plugs into the holes that you have drilled for the cooker hood body, fasten 2 × support screw ST4*40 mm halfway in, leaving them 2 mm out of the wall. See Pic 2.
5. Hang the cooker hood onto the support screws.
6. Insert self-tap screw ST4*30 mm into the safety holes and fully fasten it to ensure the cooker hood is well fixed. See pic 3.



Pic 3

7. Attach the expansion pipe on the one-way wall valve as shown below. Fix the expansion pipe on the valve by cable tie. Lift up expansion pipe till it out of the wall through the hole on the wall.



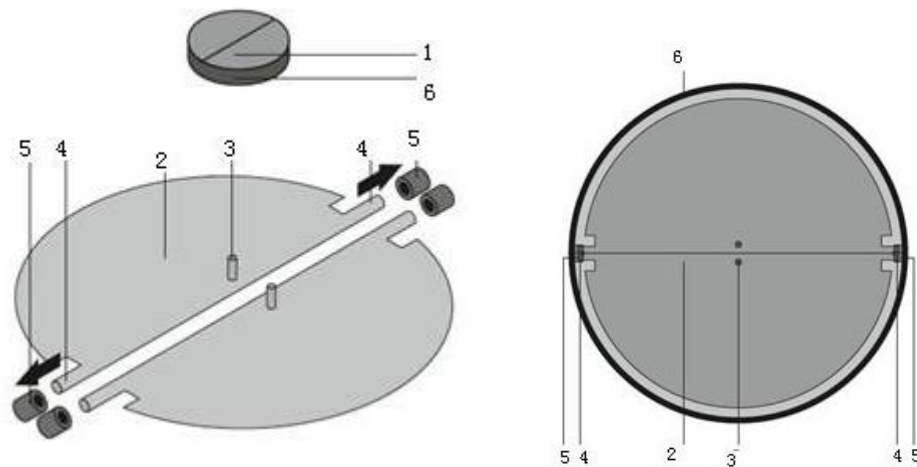
NOTE: The two safety vents are positioned on the back housing, with diameter of 6 mm.

V. MOUNTING OF THE V-FLAP

If the cooker hood does not have an assembled V-flap 1, you should mount the half-parts to the its body.

To mount the V-flap 1 you should:

- Mount two half-parts 2 into the body 6;
- a pin 3 should be top oriented;
- the axis 4 should be inserted in the holes 5 on body;
- repeat all the operations for the 2nd half-part.

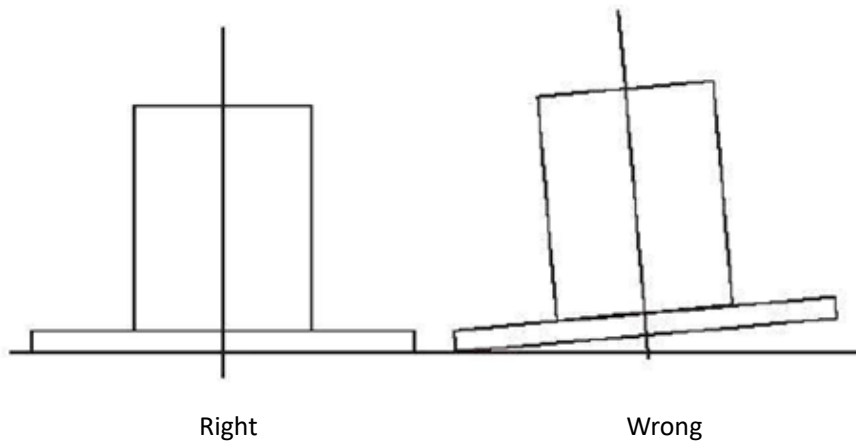


HINTS FOR EXHAUST DUCT INSTALLATION

The following rules must be strictly followed to obtain optimal air extraction:

- Keep expansion pipe short and straight.
- Do not reduce the size or restrict expansion pipe.
- When using expansion pipe always install the pipe pulled taut to minimize pressure loss.
- Failure to observe these basic instructions will reduce the performance and increase noise levels of the cooker hood.
- Any installation work must be carried out by a qualified electrician or competent person.
- Do not connect the ducting system of the hood to any existing ventilation system which is being used for any other appliance, such as warmer tube, gas tube, hot wind tube.
- The angle of the bend of the expansion pipe should not be less than 120°; you must direct the pipe horizontally, or, alternatively, the pipe should go up from the initial point and should be led to an outer wall.

- After the installation, make sure that the cooker hood is level to avoid grease collection at on end.
- Ensure the expansion pipe selected for installation complies with relevant standards and is fire retardant.



WARNING:

- For safety reason, please use only the same size of fixing or mounting screw which are recommended in this instruction manual.
- Failure to install the screws or fixing device in accordance with these instructions may result in electrical hazards.

VI. USING THE APPLIANCE

Push button

- Press the button "STOP", the motor is stopped then.
- Press the button "LOW", the motor is running at low speed.
- Press the button "MID", the motor is running at medium speed.
- Press the button "HIGH", the motor is running at high speed.
- Press the button "LIGHT", both lights start shining. Press the button again, the lights are switched off.



VII. TROUBLESHOOTING

FAULT	POSSIBLE CAUSE	SOLUTION
Light on, but motor does not work	Fan switched turned off	Select a fan switch position
	Fan switch failed	Contact service center
	Motor failed	Contact service center
Light does not work, motor does not work	House fuses blown	Reset/Replace fuses
	Power cord loose or disconnected	Refit cord to power outlet. Switch power outlet on.
Oil leakage	One-way valve and the air ventilation entrance are not tightly sealed	Take down the one-way valve and seal with sealant.
	Leakage from the connection of U-shaped section and cover	Take U-shaped section down and seal.
Lights not working	Broken/Faulty globes	Replace globes as per this instruction.
Insufficient suction	The distance between the cooker hood and the gas top is too far	Refit the cooker hood to the correct distance.
The cooker hood inclines	The fixing screw not tight enough	Tighten the hanging screw and make it horizontal

NOTE: Any electrical repairs to this appliance must conform to your local, state and federal laws. Please contact the service centre if in any doubt before undertaking any of the above. Always disconnect the unit from the power source when opening the unit.

VIII. CLEANING AND MAINTENANCE

CAUTION

Before maintenance or cleaning is carried out, the cooker hood should be disconnected from the main supply. Ensure that the cooker hood is switched off at the wall socket and the plug removed.

External surfaces are susceptible to scratches and abrasions, so please follow the cleaning instructions to ensure the best possible result is achieved without damage.

GENERAL

Cleaning and maintenance should be carried out with the appliance cold especially when cleaning. Avoid leaving alkaline or acid substances (lemon juice, vinegar etc.) on the surfaces.

STAINLESS STEEL

The stainless steel must be cleaned regularly (e.g. weekly) to ensure long life expectancy. Dry with a clean soft cloth. A specialized stainless-steel cleaning fluid may be used.

NOTE: Ensure that wiping is done along with the grain of the stainless steel to prevent any unsightly crisscross scratching patterns from appearing.

CONTROL PANEL SURFACE

The inlay control panel can be cleaned using warm soapy water. Ensure the cloth is clean and well wrung before cleaning. Use a dry soft cloth to remove any excess moisture left after cleaning.

IMPORTANT

Using neutral detergents and avoid using harsh cleaning chemicals, strong household detergents or products containing abrasives, as this will affect the appliance appearance and potentially remove any printing of artwork on the control panel and will void manufactures warrantee.

GREASE MESH FILTERS

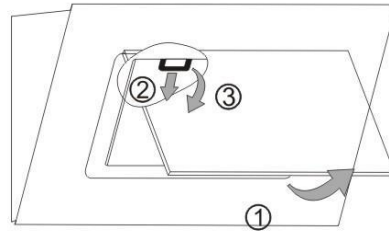
The mesh filters can be cleaned by hand.

Soak them for about 3 minutes in water with a grease-loosening detergent then brush it gently with a soft brush. Please do not apply too much pressure, avoid damaging it. (Leave to dry naturally out of direct sun light)

Filters should be washed separately to crockery and kitchen utensils. it is advisable not to use rinse aid.

INSTALLING GREASE MESH FILTERS

- To install filters for the following four steps.
- Angle the filter into slots at the back of the hood.
- Push the button on handle of the filter.
- Release the handle once the filter fits into a resting position.
- Repeat to install all filters.



CARBON FILTER – not included in the package

Activated carbon filter can be used to trap odors. Normally the activated carbon filter should be changed at three or six months according to your cooking habit. The installation procedure of activated carbon filter is as below.

In order to install the activated carbon filter, the aluminium filter should be detached first. Firstly, open carefully the stainless-steel cover, then press the lock of aluminium filter and remove it.

- Put the pin of the carbon filter into the rectangular hole of the fan (as per the arrow A shown below)
- Push the other side of the carbon filter toward the fan to make it flat (as per the arrow B shown), and then press filter into fan.
- If you want to remove the filter, press fastener of filter and remove it by turning anticlockwise.



NOTE:

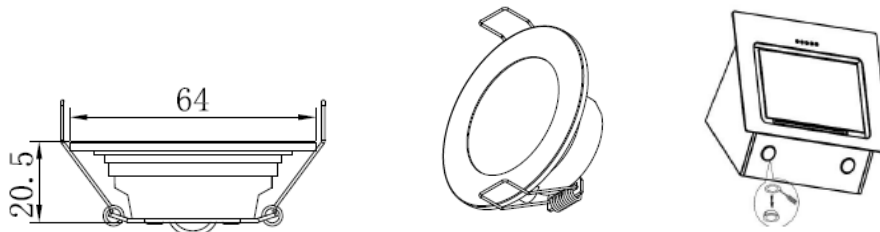
- Make sure the filter is securely locked. Otherwise, it would loosen and cause dangerous.
- When activated carbon filter attached, the suction power will be lowered.

BULB REPLACEMENT

- The bulb must be replaced by the manufacturer, its service agent or similarly qualified persons.
- Always switch off the electricity supply before carrying out any operations on the appliance. When handling bulb, make sure it is completely cool down before any direct contact to hands.
- When handling globes hold with a cloth or gloves to ensure perspiration does not meet the globe as this can reduce the life of the globe.

LED LIGHTS

1. Switch the unit off and pull out the plug first.
 2. Wait until the light bulb is cooled down before replacement.
 3. Remove the front part with the aid of screwdriver.
 4. Pull out the LED light carefully and replace with the same type and rated LED light (2*2W LSD-B1 LED light)
 5. Replace the front part back to the unit with screwdriver.
- ILCOS D code for this lamp is: DBR-2/65-H-64
 - LED modules –round lamp
 - Max wattage: 2 W
 - Voltage range: AC 220-240V
 - Dimensions:



IMPORTANT

The following shows how to reduce total environmental impact (e.g. energy use) of the cooking process).

- (1) Install the cooker hood in a proper place where there is efficient ventilation.
- (2) Clean the cooker hood regularly so as not to block the airway.
- (3) Remember to switch off the cooker hood light after cooking.
- (4) Remember to switch off the cooker hood after cooking.

INFORMATION FOR DISMANTLING

Do not dismantle the appliance in a way which is not shown in the user manual. The appliance could not be dismantled by user. At the end of life, the appliance should not be disposed of with household waste. Check with you Local Authority or retainer for recycling advice.

IX. TECHNICAL FICHE

Product fiche according to Commission Delegated Regulation (EU) No. 65/2014	
Trademark	Heinner
Model	DCH-650RGBK
Annual energy consumption (kWh/year)	22.5
Energy efficiency class	A
Fluid dynamic efficiency	23.7
Fluid dynamic efficiency class	B
Lighting efficiency (lux/W)	37.7
Lighting efficiency class	A
Grease filtering efficiency (%)	71
Grease filtering efficiency class	D
Airflow at minimum and maximum speed under normal conditions of use (m ³ /h)	199.4/550.2
Airborne acoustical A-weighted sound power emissions at minimum and maximum speed under normal conditions of use (dB(A))	50/70
Time increase factor	1.1
Energy efficiency index	51.1
Measured airflow rate at best efficiency point (m ³ /h)	198.7
Measured airflow pressure at best efficiency point (Pa)	204
Measured electric power at best efficiency point (W)	47.5
Nominal power of the lighting system (W)	4.7
Average illumination of the lighting system on the cooking surface (lux)	177.3
Power consumption in standby mode (W)	0.48
Power consumption in off mode (W)	0



Environment friendly disposal

You can help protect the environment!

Please remember to respect the local regulations: hand in the non-working electrical equipment's to an appropriate waste disposal center.



HEINNER is a registered trademark of **Network One Distribution SRL**. Other brands and product names are trademarks or registered trademarks of their respective holders.

No part of the specifications may be reproduced in any form or by any means or used to make any derivative such as translation, transformation, or adaptation without permission from NETWORK ONE DISTRIBUTION.

Copyright © 2013 Network One Distribution. All rights reserved.

www.heinner.com, <http://www.nod.ro>



This product is in conformity with norms and standards of European Community.

Importer: **Network One Distribution**

Marcel Iancu Street, no 3-5, Bucharest, Romania

Tel: +40 21 211 18 56, www.heinner.com, www.nod.ro

HEINNER

HOTĂ DECORATIVĂ
Modele: DCH-650RGBK



- Hotă decorativă
- Putere de aspirare: 586 m³/h
- Culoare: negru

Vă mulțumim pentru achiziționarea acestui produs!

I. INTRODUCERE

Vă rugăm să citiți instrucțiunile cu atenție și să păstrați manualul pentru consultări ulterioare.

Acest manual are scopul de a vă oferi toate instrucțiunile necesare cu privire la instalarea, utilizarea și întreținerea aparatului. Pentru utilizarea corectă și în siguranță a aparatului, vă rugăm să citiți cu atenție acest manual de instrucțiuni înainte de instalare și utilizare.

II. CONȚINUTUL PACHETULUI DUMNEAVOASTRĂ

- **Hotă decorativă**
- **Manual de utilizare**
- **Certificat de garanție**

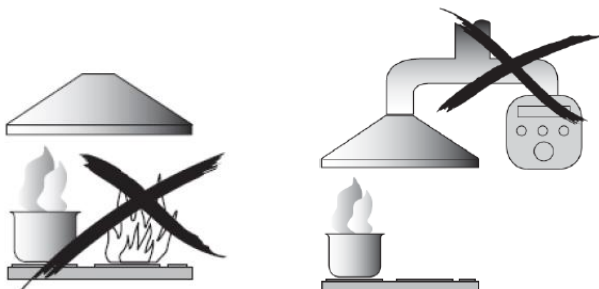


III. MĂSURI DE SIGURANȚĂ

Acest manual cuprinde explicații cu privire la instalarea și utilizarea corespunzătoare a hotei dumneavoastră. Vă rugăm să citiți cu atenție manualul înainte de utilizarea produsului, chiar dacă modul de utilizare vă este cunoscut. Manualul trebuie păstrat într-un loc sigur, pentru a putea fi consultat ulterior în caz de nevoie.

AVERTISMENTE:

- Nu încercați să utilizați hota fără filtrele de grăsime sau dacă filtrele sunt foarte murdare.
- Nu instalați produsul deasupra mașinilor de gătit prevăzute cu grill extern în partea superioară.
- Nu lăsați tigăile nesupravegheate în timpul utilizării, deoarece grăsimile și uleiurile supraîncălzite pot lua foc.
- Nu lăsați niciodată surse de flacără deschisă sub hotă.
- Dacă hota prezintă deteriorări, nu încercați să o utilizați.
- Nu pregătiți sub hotă preparate flambate.
- ATENȚIE: Componentele expuse ale aparatului pot deveni fierbinți în timpul utilizării deasupra aparatelor de gătit.
- Atunci când hota este montată deasupra unei mașini de gătit cu gaze, distanța minimă dintre suprafața de sprijin pentru vasele de gătit de pe plită și partea cea mai de jos a hotei trebuie să fie de cel puțin 65 de cm.
- Aerul evacuat nu trebuie eliberat într-un canal de fum pentru evacuarea gazelor arse în urma utilizării altor aparate.



AVERTISMENTE:

- Atenție! În timpul efectuării operațiilor de instalare sau întreținere (cum ar fi înlocuirea becului), opriți întotdeauna alimentarea cu energie electrică.
- Hota trebuie instalată în conformitate cu instrucțiunile de instalare.
- Toate lucrările de instalare trebuie efectuate de către o persoană calificată sau de către un electrician.
- Vă rugăm să eliminați ambalajele cu grijă. Copiii sunt vulnerabili la acestea.
- Acordați atenție muchiilor ascuțite din interiorul hotei, mai ales în timpul efectuării operațiilor de instalare și curățare.

- Atunci când hota este montată deasupra unei mașini de gătit cu gaze, distanțele minime dintre suprafața de sprijin pentru vasele de gătit de pe plită și partea cea mai de jos a hotei trebuie să fie următoarele:

În cazul mașinilor de gătit cu gaze: 75 cm

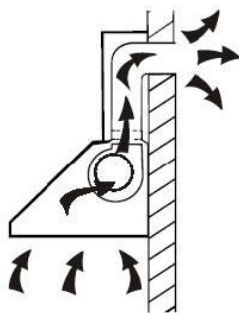
În cazul mașinilor de gătit electrice: 65 cm

În cazul mașinilor de gătit cu cărbuni sau combustibil lichid: 75 cm

- Asigurați-vă că tubulatura de evacuare nu are coturi la un unghi mai mic de 90 de grade, deoarece acestea reduc eficiența hotei.
- Avertisment: Montarea șuruburilor și a sistemului de prindere fără respectarea prezentelor instrucțiuni poate duce la pericole de natură electrică.
- Puneți întotdeauna capacele oalelor și tigăilor atunci când gătiți pe o mașină de gătit cu gaze.
- În timpul funcționării, hota evacuează aerul din încăpere.
- Vă rugăm să luați măsuri pentru asigurarea unei aerisiri corespunzătoare a încăperii. Hota elimină mirosurile din cameră, dar nu și aburul.
- Hota este destinată numai uzului casnic.
- Pentru evitarea pericolelor, în cazul în care cablul de alimentare este deteriorat, acesta trebuie înlocuit de către producător, de către agentul său de service sau de persoane cu o calificare similară.
- Aparatul poate fi utilizat de către copii cu vârste începând de la 8 ani și de către persoane cu capacități fizice, senzoriale sau mentale reduse, cu lipsă de experiență sau cunoștințe, numai dacă acestea sunt supravegheate sau instruite în ceea ce privește utilizarea în siguranță a aparatului și dacă înțeleg pericolele pe care le implică utilizarea. Copiii nu au voie să se joace cu aparatul. Curățarea și întreținerea nu trebuie efectuate de către copii nesupravegheați.
- Atenție: Aparatul și zonele expuse ale acestuia se pot încinge pe parcursul folosirii. Evitați atingerea componentelor fierbinți. Copiii cu vârste sub 8 ani nu trebuie să aibă acces la aparat, cu excepția cazului în care se află sub supraveghere permanentă.
- Atunci când hota este utilizată cu aparate care funcționează cu gaze sau alți combustibili, trebuie asigurată o aerisire corespunzătoare a încăperii. Există riscul producere a incendiilor în cazul în care curățarea nu se efectuează în conformitate cu instrucțiunile.
- Trebuie respectate reglementările cu privire la evacuarea aerului.
- Curățați aparatul periodic, urmând metoda prezentată în capitolul ÎNTREȚINERE.
- Din motive de siguranță, vă rugăm să utilizați numai șuruburile de fixare sau de montaj recomandate în cadrul prezentului manual de instrucțiuni.
- Pentru detalii referitoare la metodele de curățare și frecvența cu care curățarea trebuie efectuată, consultați secțiunea referitoare la întreținere și curățare din cadrul prezentului manual de instrucțiuni.
- Curățarea și întreținerea nu trebuie efectuate de către copii nesupravegheați. În cazul în care hota este utilizată împreună cu aparate alimentate cu altă energie decât cea electrică, presiunea negativă din încăpere nu trebuie să depășească 4 Pa (4×10^{-5} bar).

IV. INSTRUCȚIUNI DE INSTALARE (ÎN CAZUL EVACUĂRII CĂTRE EXTERIOR)

În cazul în care este disponibil un orificiu de evacuare către exterior, hota poate fi conectată așa cum este indicat în imaginea de mai jos, prin intermediul unui tub de evacuare (din aluminiu, țevă flexibilă sau material neinflamabil cu diametrul interior de 150 mm).



4. Înainte de instalare, opriți aparatul și deconectați-l de la sursa de alimentare cu energie electrică.
5. Pentru o funcționare optimă, hota trebuie instalată la o distanță de 65~75 cm deasupra mașinii de gătit.

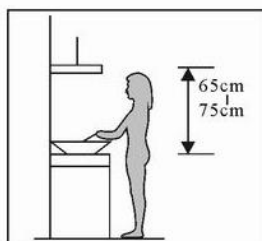


Fig. 1

6. Cu ajutorul unui burghiu cu diametrul de 8 mm, efectuați 8 găuri în perete în vederea instalării coșului și a corpului hotei. Consultați figura 2.

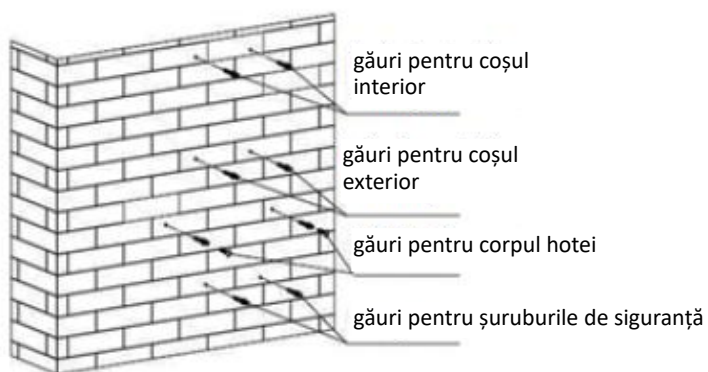


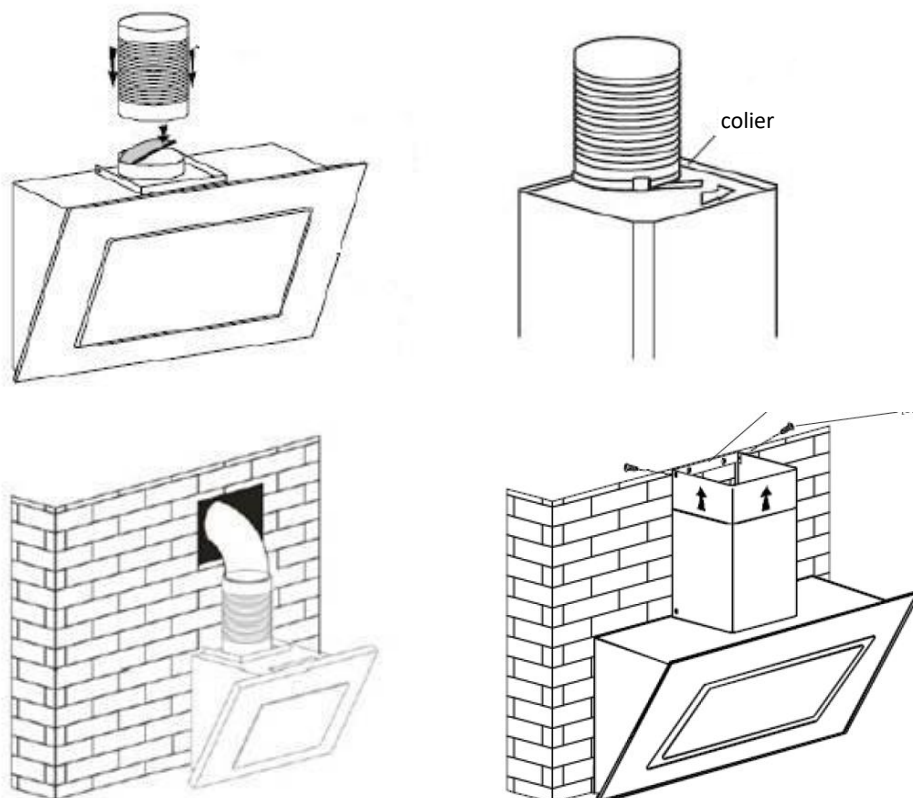
Fig. 2

4. Introduceți dibluri în găurile pe care le-ați efectuat pentru montarea corpului hotei, introduceți în dibluri 2 șuruburi de susținere ST4x40 mm, lăsând o distanță de 2 mm între capetele șuruburilor și perete. Consultați figura 2.
5. Puneți hota pe șuruburile de susținere.
6. Introduceți șuruburi autofiletante ST4*30 mm în găurile pentru șuruburile de siguranță și strângeți-le complet pentru a vă asigura că hota este fixată corespunzător. Consultați figura 3.



Fig. 3

7. Montați tubul de evacuare pe supapa antiretur, așa cum este indicat mai jos. Fixați tubul de evacuare pe supapă cu ajutorul unui colier. Extindeți tubul de evacuare până la pătrunderea acestuia prin gaura din perete.



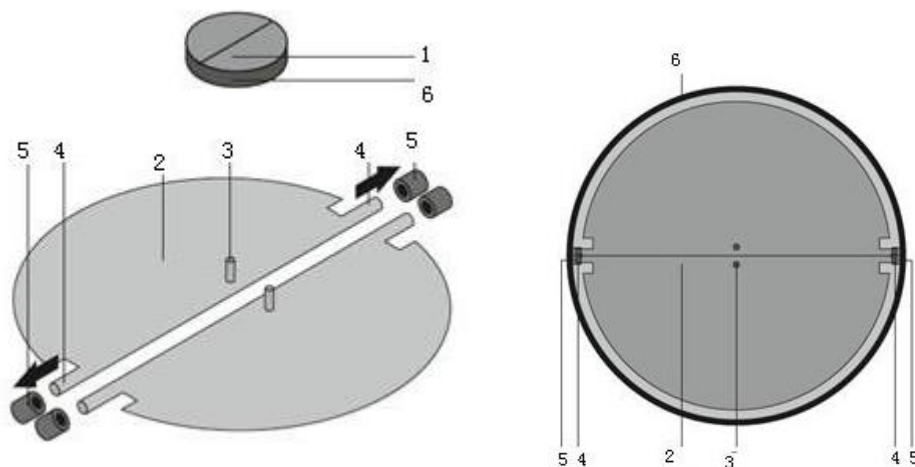
NOTĂ: Cele două orificii pentru prinderea șuruburilor de siguranță sunt situate pe partea posterioară a carcusei hotei și au diametrul de 6 mm.

V. MONTAREA CLAPETEI ANTIRETUR

În cazul în care clapeta antiretur (1) nu este montată, cele două secțiuni ale acesteia trebuie asamblate.

Pentru asamblarea clapetei antiretur (1), parcurgeți pașii de mai jos:

- Montați cele două secțiuni (2) în carcasă (6);
- Bolțul (3) trebuie orientat înspre sus;
- Axul (4) trebuie introdus în orificiile (5) de pe carcasă;
- Repetați pașii de mai sus pentru a doua secțiune.

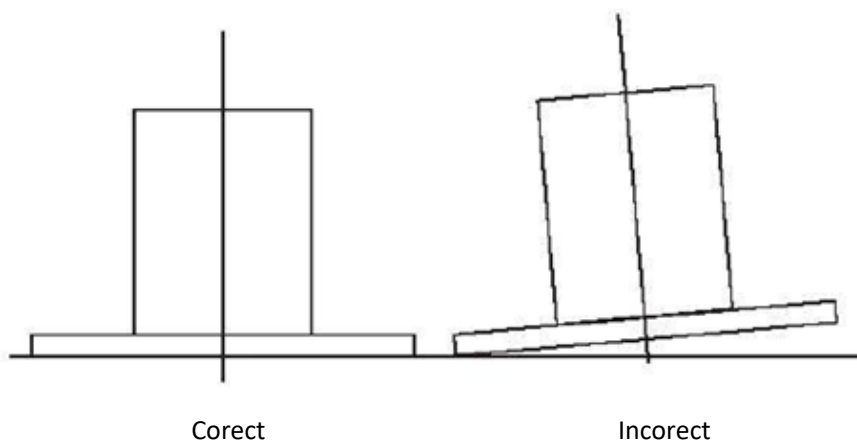


SFATURI PENTRU INSTALAREA TUBULUI DE EVACUARE

Pentru o evacuare eficientă a aerului, urmați cu strictețe regulile de mai jos:

- Încercați să mențineți scurt și drept tubul de evacuare.
- Nu reduceți dimensiunea tubului de evacuare și nu îl restrângeți.
- Întindeți tubul de evacuare pentru a reduce la minimum pierderile de presiune .
- Nerespectarea acestor instrucțiuni de bază va reduce performanțele și va crește nivelul de zgomot al hotei.
- Toate lucrările de instalare trebuie efectuate de către o persoană calificată sau de către un electrician.
- Nu conectați sistemul de evacuare al hotei la un sistem de ventilație care este utilizat pentru un alt aparat.
- Unghiul de îndoire a tubului de evacuare nu trebuie să fie mai mic de 120°; tubul trebuie dispus orizontal sau, alternativ, tubul trebuie să urce de la nivelul inițial și trebuie condus către un perete exterior.

- După instalare, asigurați-vă că hota este dreaptă, pentru a evita acumularea grăsimii la una dintre extremitățile acesteia.
- Asigurați-vă că tubul de evacuare ales în vederea instalării corespunde standardelor în vigoare și este ignifug.

**AVERTISMENT:**

- Din motive de siguranță, vă rugăm să utilizați numai șuruburile de fixare sau de montaj recomandate în cadrul prezentului manual de instrucțiuni.
- Montarea șuruburilor și a sistemului de prindere fără respectarea prezentelor instrucțiuni poate duce la pericole de natură electrică.

VI. UTILIZAREA APARATULUI

Butoanele de control

- f. Apăsați pe butonul pentru oprire, iar motorul se va opri.
- g. Apăsați pe butonul pentru viteza redusă, iar motorul va funcționa la viteză redusă.
- h. Apăsați pe butonul pentru viteza medie, iar motorul va funcționa la viteză medie.
- i. Apăsați pe butonul pentru viteza ridicată, iar motorul va funcționa la viteză ridicată.
- j. Apăsați pe butonul pentru aprinderea lămpii, iar ambele lumini se vor aprinde. Apăsați din nou pe acest buton, iar ambele lumini se vor stinge.



VII. SOLUȚIONAREA PROBLEMELOR

PROBLEMĂ	CAUZĂ POSIBILĂ	SOLUȚIE
Lumina se aprinde, dar motorul nu funcționează.	Comutatorul ventilatorului este în poziția „oprit”.	Selectați o poziție de funcționare.
	Comutatorul ventilatorului este defect.	Contactați centrul de reparații.
	Motorul este defect.	Contactați centrul de reparații.
Lumina nu se aprinde, iar motorul nu funcționează.	Siguranțele din locuință sunt sărite sau arse.	Resetați sau înlocuiți siguranțele.
	Cablul de alimentare este slăbit sau deconectat.	Introduceți corespunzător cablul în priză. Porniți sursa de alimentare.
Scurgeri de ulei.	Supapa de reținere și orificiul de admisie a aerului nu sunt etanșate corespunzător.	Demontați supapa de reținere și utilizați material de etanșare.
	Scurgeri la nivelul racordului dintre secțiunea în U și carcasă.	Demontați secțiunea în U și etanșați.
Luminile nu funcționează.	Becurile sunt defecte/funcționează necorespunzător.	Înlocuiți becurile conform instrucțiunilor.
Aspirație insuficientă.	Distanța dintre hotă și plita mașinii de gătit este prea mare.	Montați hota la o distanță corespunzătoare.
Hota se înclină.	Șurubul de fixare nu este strâns suficient.	Strângeți șurubul pentru fixarea hotei în poziție orizontală.

NOTĂ: Reparațiile componentelor electrice ale acestui aparat trebuie să respecte reglementările locale, de stat și federale. Vă rugăm să contactați centrul de reparații dacă aveți orice îndoială cu privire la efectuarea oricăreia dintre operațiile de mai sus. Deconectați aparatul de la sursa de alimentare înainte de deschiderea acestuia.

VIII. CURĂȚARE ȘI ÎNTREȚINERE

ATENȚIE

Înainte de efectuarea operațiilor de întreținere sau curățare, hota trebuie deconectată de la sursa de alimentare cu energie electrică. Asigurați-vă că hota este oprită și că ștecărul este scos din priză.

Suprafețele exterioare pot fi zgâriate cu ușurință. Prin urmare, vă rugăm să urmați instrucțiunile în vederea asigurării unei curățări eficiente, fără deteriorări.

GENERALITĂȚI

Curățarea și întreținerea trebuie efectuate numai atunci când aparatul este rece. Nu lăsați resturi de substanțe alcaline sau acide (suc de lămâie, oțet etc.) pe suprafețele hotei.

COMPONENTELE DIN OȚEL INOXIDABIL

Componentele din oțel inoxidabil trebuie curățate periodic (săptămânal), în vederea asigurării unei durate de exploatare prelungite. După curățare, ștergeți-le cu o lavetă curată și uscată. Puteți utiliza un lichid special pentru curățarea suprafețelor din oțel inoxidabil.

NOTĂ: Asigurați-vă că ștergerea este realizată astfel încât modelul suprafețelor din oțel inoxidabil să nu fie deteriorat prin zgâriere.

SUPRAFETELE PANOULUI DE COMANDĂ

Suprafețele panoului de comandă pot fi șterse cu apă caldă cu săpun. Asigurați-vă că laveta cu care curățați suprafețele este curată și bine stoarsă. După curățare, utilizați o cârpă moale și uscată pentru îndepărtarea umezelii rămase pe suprafețe.

IMPORTANT

Utilizați detergenți neutri și evitați utilizarea substanțelor chimice puternice, precum și a detergenților casnici puternici sau a produselor care conțin substanțe abrazive, deoarece acestea din urmă afectează aspectul aparatului și pot deteriora elementele imprimate, anulând garanția produsului.

FILTRELE DE GRĂSIME

Filtrele pot fi curățate manual.

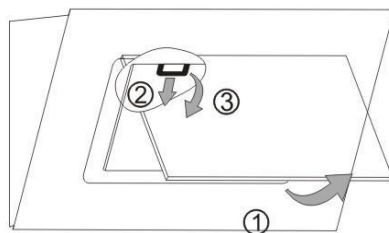
Lăsați-le la înmuiat timp de câteva minute în apă cu detergent pentru îndepărtarea grăsimilor, apoi periați-le ușor cu o perie moale. Vă rugăm să nu exercitați o presiune excesivă asupra acestora, pentru a evita deteriorarea. Lăsați-le să se usuce natural, dar nu sub lumina directă a soarelui.

Filtrele nu trebuie spălate împreună cu vasele sau ustensilele de bucătărie. Vă recomandăm să nu utilizați agenți de clătire.

INSTALAREA FILTRELOR DE GRĂSIME

Pentru instalarea filtrelor, vă rugăm să urmați pașii de mai jos:

- Poziționați filtrul în fantele situate în partea posterioară a hotei.
- Apăsați pe butonul de pe mânerul filtrului.
- Eliberați mânerul odată ce filtrul se fixează în poziție.
- Pentru instalarea celorlalte filtre, repetați pașii de mai sus.

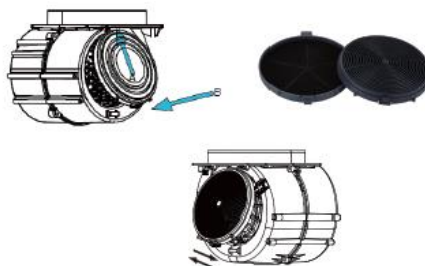


FILTRUL CU CĂRBUNE ACTIV - se achiziționează separat

Filtrul cu cărbune activ poate fi utilizat pentru reținerea mirosurilor neplăcute. În funcție de frecvența de utilizare a hotei, filtrul cu cărbune activ trebuie înlocuit o dată la trei sau șase luni. Procedura de instalare a filtrului cu cărbune activ este prezentată mai jos.

Pentru instalarea filtrului cu cărbune activ, este necesar să demontați mai întâi filtrul de aluminiu. Deschideți mai întâi capacul din oțel inoxidabil, apoi apăsați pe sistemul de închidere al filtrului și scoateți filtrul.

- Introduceți pinul filtrului de carbon în orificiul dreptunghiular al ventilatorului (conform săgeții A)
- Împingeți cealaltă parte a filtrului de carbon spre ventilator (conform săgeții B), apoi apăsați filtrul în ventilator.
- Dacă doriți să scoateți filtrul, apăsați dispozitivul de fixare al filtrului și scoateți-l prin rotire în sens invers.



NOTĂ:

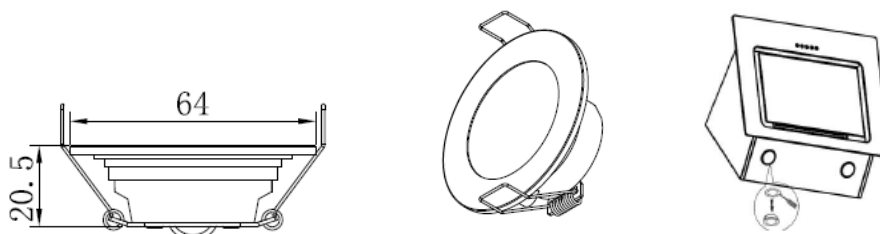
- Asigurați-vă că filtrul este fixat corespunzător. În caz contrar, acesta se poate slăbi și poate cauza deteriorări.
- Atunci când filtrul cu cărbune activ este montat, puterea de absorbție este mai redusă.

ÎNLOCUIREA BECULUI

- Becul trebuie înlocuit de producător, de agentul său de service sau de către persoane cu o calificare similară.
- Opriți întotdeauna alimentarea cu energie electrică înainte de efectuarea oricăror operații asupra aparatului. În timpul manevrării becului, asigurați-vă că acesta s-a răcit înainte de a-l atinge cu mâna.
- Manevrați becurile cu o cârpă sau cu mănuși, pentru a vă asigura că acestea nu sunt afectate de transpirația de pe mâini, deoarece durata de exploatare a acestora poate fi redusă.

LĂMPI CU LED

6. Opriți aparatul și scoateți ștecărul din priză.
 7. Înainte de înlocuirea lămpii, așteptați ca aceasta să se răcească.
 8. Scoateți partea frontală a lămpii cu ajutorul unei șurubelnițe.
 9. Scoateți cu grijă lampa LED și înlocuiți-o cu una de același tip (2*2W LSD-B1 LED).
 10. Montați la loc partea frontală a lămpii cu ajutorul unei șurubelnițe.
- Codul ILCOS D pentru această lampă este: DBR-2/65-H-64
 - module led - sferice
 - Putere maximă: 2 W
 - Domeniu de tensiune: AC 220-240V
 - Dimensiuni:



IMPORTANT

Următoarele recomandări prezintă metode de reducere a impactului asupra mediului (reducere a consumului de energie).

- (5) Instalați hota într-un spațiu aerisit corespunzător.
- (6) Curățați hota periodic, pentru evitarea blocării canalului de trecere a aerului.
- (7) Nu uitați să stingeți lampa hotei după utilizare.
- (8) Nu uitați să opriți hota după utilizare.

INFORMAȚII CU PRIVIRE LA DEZASAMBLARE

Nu dezasmblați aparatul în alt mod decât cel prezentat în cadrul manualului de utilizare. Aparatul nu trebuie demontat de către utilizator. La finalul duratei de exploatare, aparatul nu trebuie eliminat împreună cu deșeurile menajere. Pentru sfaturi referitoare la reciclare, contactați autoritățile locale sau distribuitorul.

IX. FIȘĂ TEHNICĂ

Fisa produsului in conformitate cu Regulamentul Delegat (UE) 65/2014 al Comisiei	
Marca comerciala	Heinner
Model	DCH-650RGBK
Consum anual de energie (kWh/an)	22.5
Clasa de eficienta energetica	A
Eficienta fluido-dinamica	23.7
Clasa de eficienta fluido-dinamica	B
Eficienta iluminarii (lux/W)	37.7
Clasa de eficienta a iluminarii	A
Eficienta filtrarii grasimilor (%)	71
Clasa de eficienta a filtrarii grasimilor	D
Debitul de aer la turatie minima si maxima in conditii normale de utilizare (m ³ /h)	199.4/550.2
Puterea acustica ponderata A a emisiilor sonore transmise prin aer la turatie minima si maxima in conditii normale de utilizare (dB(A))	50/70
Coeficient de crestere a timpului	1.1
Indice de eficienta energetica	51.1
Debit de aer masurat in punctul de eficienta optima (m ³ /h)	198.7
Presiune de aer masurata in punctul de eficienta maxima(Pa)	204
Alimentare electrica masurata in punctul de eficienta optima(W)	47.5
Putere nominala a sistemului de luminat (W)	4.7
Iluminare medie a sistemului de iluminat pe suprafata de gatit(lux)	177.3
Consumul de putere in standby (W)	0.48
Consumul de putere in modul oprit (W)	0



INFORMATII PRIVIND DESEURI DE ECHIPAMENTE ELECTRICE SI ELECTRONICE (DEEE)

Deseurile de echipamente electrice si electronice (DEEE) pot contine substante periculoase ce au un impact negativ asupra mediului si sanatatii umane, in cazul in care nu sunt colectate separat.

Acest produs este conform cu Directiva UE DEEE (2012/19/UE) si este marcat cu un simbol de clasificare a deșeurilor de echipamente electrice și electronice (DEEE), reprezentat grafic in imaginea alaturata.



Aceasta pictograma indica faptul ca DEEE nu trebuie amestecate cu deseurile menajere si ca ele fac obiectul unei colectari separate.

Avand in vedere prevederile OUG 195/2005 – referitoare la protectia mediului si O.U.G. 5/2015 privind deseurile de echipamente electrice si electronice, va recomandam sa aveti in vedere urmatoarele:

- Materialele si componentele folosite la constructia acestui produs sunt materiale de înaltă calitate, care pot fi refolosite și reciclate.
- Nu aruncați produsul împreună cu gunoiul menajer sau cu alte gunoaie la sfârșitul duratei de exploatare.
- Transportați-l la centrul de colectare pentru reciclarea echipamentelor electrice și electronice unde va fi preluat in mod gratuit.
- Va rugam sa luați legătura cu autoritățile locale pentru detalii despre aceste centre de colectare organizate de operatorii economici autorizati pentru colectarea DEEE.

Conformitatea cu directiva RoHS: Produsul pe care l-ați cumpărat este conform cu Directiva RoHS UE (2011/65/UE). Nu conține materialele dăunătoare și interzise specificate în Directivă.

Va multumim ca participati alaturi de noi la protejarea mediului si a sanatatii umane!



HEINNER este marcă înregistrată a companiei **Network One Distribution SRL**. Celelalte branduri și denumirile produselor sunt mărci de comerț sau mărci de comerț înregistrate ale respectivilor deținători.

Nicio parte a specificațiilor nu poate fi reprodusă sub nicio formă și prin niciun mijloc, nici utilizată pentru obținerea unor derivate precum traduceri, transformări sau adaptări, fără consimțământul prealabil al companiei NETWORK ONE DISTRIBUTION.

Copyright © 2013 Network One Distribution. Toate drepturile rezervate.

www.heinner.com, <http://www.nod.ro>



Acest produs este proiectat și realizat în conformitate cu standardele și normele Comunității Europene.

Importator: **Network One Distribution**

Str. Marcel Iancu, nr. 3-5, București, România

Tel: +40 21 211 18 56, www.heinner.com, www.nod.ro

HEINNER

DEKORATÍV SZAGELSZÍVÓ

Modellek: DCH-650RGBK



- Dekoratív szagelszívó
- Szívó teljesítmény: 586 m³/h
- Szín: fekete

Köszönjük, hogy megvásárolta termékünket!

I. BEVEZETÉS

Kérjük, figyelmesen olvassa el az utasításokat, és őrizze meg a kézikönyvet későbbi tanulmányozás céljából.

A kézikönyv célja a készülék beszerelésével, használatával és karbantartásával kapcsolatos minden szükséges tudnivalót rendelkezésére bocsátani. A készülék helyes és biztonságos használata érdekében, kérjük, hogy beszerelés és használat előtt olvassa el figyelmesen a használati kézikönyvet.

II. AZ ÖN CSOMAGJÁNAK TARTALMA

- **Dekoratív szagelszívó**
- **Használati útmutató**
- **Garancialevél**

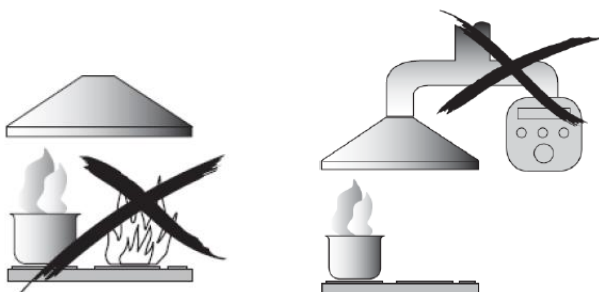


III. BIZTONSÁGI INTÉZKEDÉSEK

A használati kézikönyv utasításokat tartalmaz az Ön szagelszívójának üzemeltetésére és használatára vonatkozóan. Használat előtt kérjük, hogy figyelmesen olvassa el ezt a használati kézikönyvet, akkor is ha a használati mód ismerős az Ön számára. Őrizze meg ezt a használati kézikönyvet az utólagos tanulmányozás végett szükség esetén.

FIGYELMEZTETÉSEK:

- Ne használja a szagelszívót zsírszűrők nélkül vagy ha azok nagyon mocskosak.
- Ne szerelje a terméket a felső felében külső grillsütővel ellátott tűzhely fölé.
- Használat közben ne hagyja a serpenyőket felügyelet nélkül, mert a túlmelegedett zsiradékok és olajak meggyúlhatnak.
- Soha ne hagyjon a szagelszívó alatt nyitott tűzforrást.
- A meghibásodott szagelszívót ne próbálja használni.
- Ne készítsen a szagelszívó alatt flambírozott termékeket.
- FIGYELMEZTETÉS: A tűzhely fölötti használat során a készülék kitett alkatrészei felforrósodhatnak.
- Abban az esetben, ha a szagelszívót a gáztűzhely fölé szerelik, a főzőlapon levő edények támasztási felülete és a szagelszívó legalsó része közti minimális távolság 65 cm kell legyen.
- A kibocsátott levegőt ne vezesse el más készülékek használata során elégett gázok kibocsátására szolgáló füstjártatba.



FIGYELMEZTETÉSEK:

- Figyelem! Az üzemeltetési vagy karbantartási műveletek ideje alatt (mint például az izzó kicserélése) mindig áramtalanítsa a készüléket.
- A szagelszívót az üzemeltetési utasításoknak megfelelően helyezze üzembe.
- Minden beüzemelési munkálatot egy szakembernek vagy villanyszerelőnek kell elvégeznie.
- Kérjük, hogy a csomagolóanyagokat óvatosan távolítsa el. Ezek megsebezhetik a gyermekeket.
- Az üzemeltetési és karbantartási műveletek során figyeljen oda a szagelszívó belsejében található hegyes vagy éles élekre

- Abban az esetben, ha a szagelszívót a gáztűzhely fölé szerelik, a főzőlapon lévő edények támasztási felülete és a szagelszívó legalsó része közti minimális távolságok a következők kell legyenek:

Gáztűzhely esetén: 75 cm

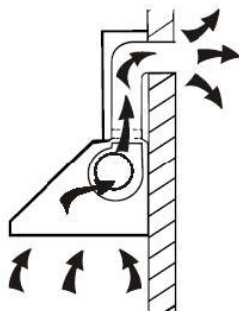
Elektromos tűzhely esetén: 65 cm

Szén vagy olajkályha esetén: 75 cm

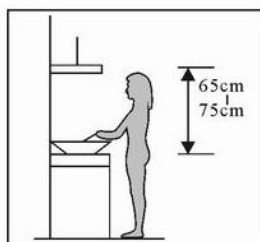
- Győződjön meg arról, hogy a kivezető csövezetnek nincsenek 90 fokos szögnél kisebb kanyarolatai, mert ezek csökkentik a szagelszívó hatékonyságát.
- Figyelmeztetés: A csavarok és a tartószerkezet szerelése során a jelen útmutatások betartásának elhanyagolása villanyárammal kapcsolatos veszélyekhez vezethet.
- Fődjön le mindig az edényeket, amikor gáztűzhelyen főz.
- Működés közben a szagelszívó elszívja a levegőt a helyiségből.
- Kérjük, biztosítsa a helyiség megfelelő levegőztetését. A szagelszívó eltávolítja a kellemetlen szagokat a helyiségből, a gőzt viszont nem.
- A páraelszívót csak háztartási használatra szánták.
- A veszély elkerülése érdekében, amennyiben a tápkábel sérült, ezt ki kell cseréltetni a gyártó, a gyártó szervizügynöke, vagy hasonló szakképesítéssel rendelkező személy által.
- A készüléket 8 év fölötti gyermekek, csökkent fizikai, érzelmi vagy szellemi képességekkel, gyakorlattal vagy ismeretekkel rendelkezők csak akkor használhatják, ha felügyelik, vagy felkészítik őket a készülék biztonságos használatára, és ha megértik a készülék használatával járó veszélyeket. Tilos gyermekeknek játszani a készülékkel. A készülék tisztítását és karbantartását nem végezhetik gyermekek felügyelet nélkül.
- Figyelem: A készülék és annak alkatrészei felforrósodhatnak a használat során. Kerülje a forró alkatrészek megérintését. A készüléket 8 évnél kisebb gyermekek csak állandó szülői felügyelet mellett használhatják.
- Amikor a szagelszívót gázzal vagy egyéb üzemanyagokkal működő készülékekkel egyszerre használják, biztosítani kell a helyiség megfelelő levegőztetését. Tűzeset veszélye áll fenn, ha a tisztítás nem az utasítások szerint történik.
- Be kell tartani a levegő elvezetésére vonatkozó szabályokat.
- Tisztítsa rendszeresen a készüléket a KARBANTARTÁS fejezetben bemutatott eljárás szerint.
- Biztonsági okok miatt csak a jelen használati kézikönyvben szereplő rögzítő és szerelőcsavarokat használja.
- A készülék tisztítási módjával és annak gyakoriságával kapcsolatos utasításokért tanulmányozza jelen használati kézikönyv karbantartásra és tisztításra vonatkozó részét.
- A berendezés tisztítását és karbantartását gyerekek felnőttek felügyeletének hiányában nem végezhetik.
Ha a szagelszívót más nem elektromos energiát használó készülékekkel együtt működteti, a negatív nyomás a helyiségben nem lehet nagyobb, mint 4 Pa (4 x 10⁻⁵ bar).

IV. ÜZEMBE HELYEZÉS (KÜLSŐ ELVEZETÉS ESETÉN)

Ha rendelkezésre áll egy külső falon található kivezetőnyílás, akkor csatlakoztassa a szagelszívót az alábbi képen látható módon, egy elszívócső segítségével (150 mm átmérőjű gégecső, alumínium vagy más nem gyúlékony anyagból készült cső).

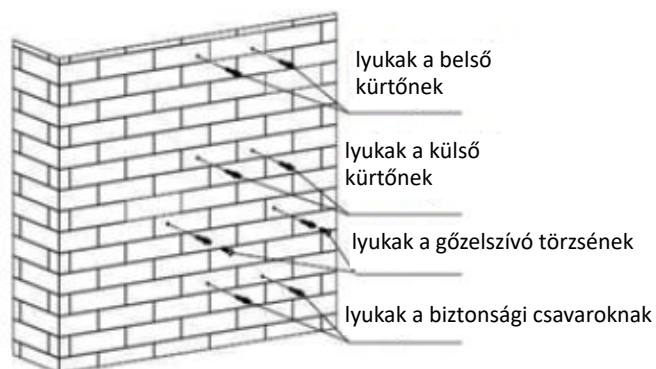


7. Üzembe helyezés előtt kapcsolja ki és áramtalanítsa a készüléket.
8. A szagelszívót az optimális működés érdekében 65~75 cm-es távolságra kell a tűzhely fölé szerelni.



1. ábra

9. A kürtő és a gőzelszívó törzsének felszereléséhez 8 mm-es átmérőjű fúró segítségével készítsen 8 darab lyukat a falba. Lásd a 2. ábrát.



2. ábra

4. Tegyen tipliket a gőzelszívó törzsének rögzítésére készített lyukakba, a tiplikbe helyezzen 2 darab ST4x40 mm-es tartócsavart, a csavarok vége és a fal között 2 mm-es távolságot hagyva. Lásd a 2. ábrát.

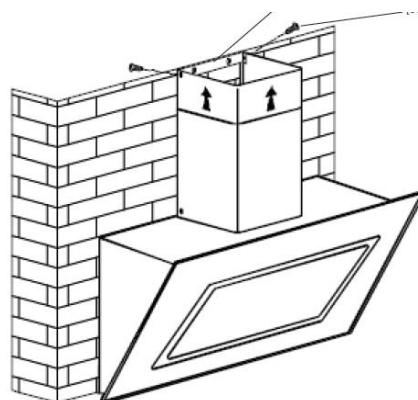
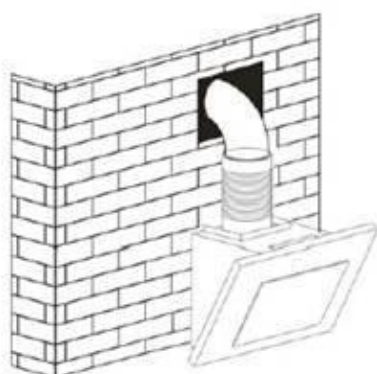
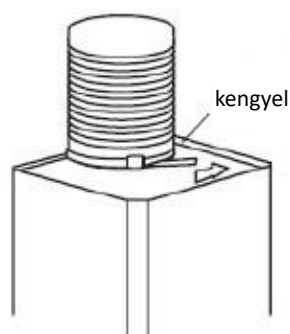
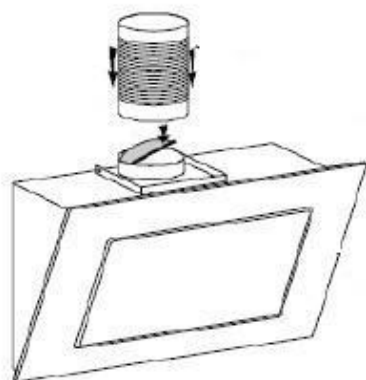
5. Helyezze a gőzelszívót a tartócsavarokra.

6. Helyezzen ST4x30 mm-es önmetsző csavarokat a biztonsági csavarok számára fúrt lyukakba, és húzza meg azokat teljesen, míg megbizonyosodik arról, hogy a gőzelszívó megfelelően van rögzítve. Lásd a 3. ábrát.



3. ábra

7. A lent jelzett módon szerelje az elvezető csövet a visszakeringés gátló szelepre. Az elvezető csövet kengyel segítségével rögzítse a szelepre. Az elvezető csövet nyújtsa ki, míg áthatol a falban lévő lyukon.

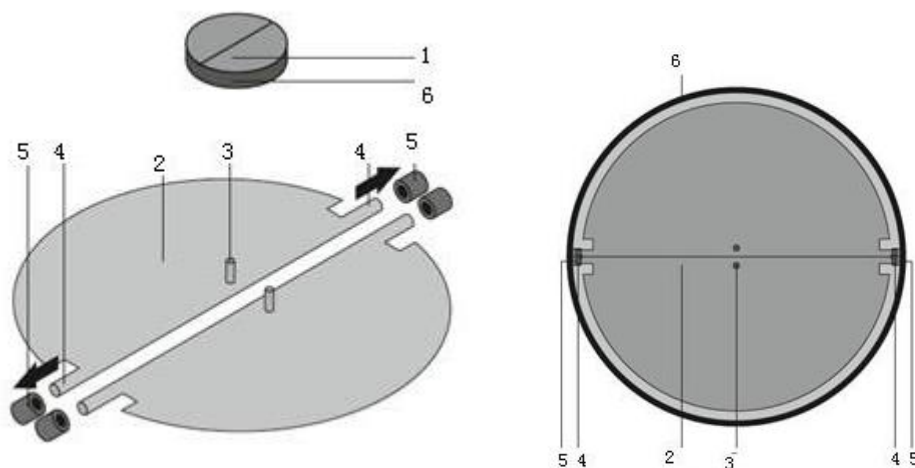


MEGJEGYZÉS: A biztonsági csavarok felfogására szolgáló két lyuk a gőzelszívó burkolatának hátsó felén található és átmérőjük 6 mm.

V. A VISSZAKERINGÉS GÁTLÓ SZELEP FELSZERELÉSE

Ha a visszakeringés gátló szelep (1) nincs felszerelve, két részét illessze össze.
A visszakeringés gátló szelep (1) összeillesztéséhez kövesse az alábbi lépéseket:

- Szerelje a burkolatba (6) a szelep két részét (2);
- A csapszeget (3) irányítsa felfelé;
- A tengelyt (4) helyezze a burkolaton található lyukakba (5);
- A második résznél ismételje meg a fenti lépéseket.

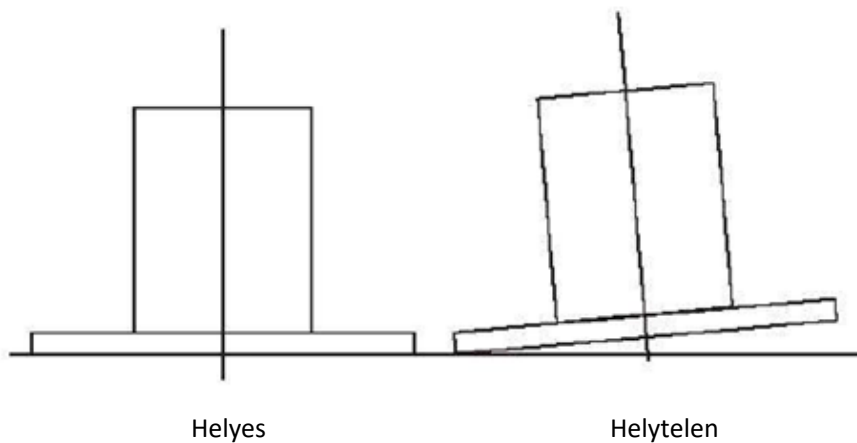


TANÁCSOK AZ ELSZÍVÓCSŐ ÜZEMBEHELYEZÉSÉHEZ

A levegő hatékony elvezetése érdekében tartsa be szigorúan az alábbi szabályokat:

- Próbálja meg az elszívócsövet röviden és egyenesen hagyni.
- Ne csökkentse az elszívócső átmérőjét és ne nyomja össze.
- Feszítse ki az elszívócsövet, hogy ezáltal minimálisra csökkentse a nyomásvesztést.
- Ezen alapszabályok be nem tartása csökkentik a hatékonyságot és zajosabbá teszik a szagelszívót.
- Minden beüzemelési munkát egy szakembernek vagy egy villanyszerelőnek kell elvégeznie.
- A szagelszívó elvezető rendszerét ne csatlakoztassa egy másik készülék által használt szellőzőrendszeréhez.
- Az elszívócső hajlítási szöge nem kell kisebb legyen mint 120°; vízszintesen kell helyezkedjen vagy felváltva, az eredeti szinttől emelkednie kell és a külső fal felé kell irányuljon.

- Üzembe helyezés után győződjön meg róla, hogy a szagelszívó egyenesen áll, a szagelszívó egyik felében történő zsiradék felhalmozódás elkerülése végett.
- Győződjön meg róla, hogy a választott elszívócső megfelel az érvényben lévő szabályoknak és tűzálló.

**FIGYELMEZTETÉS:**

- Biztonsági okok miatt csak a jelen használati kézikönyvben szereplő rögzítő és szerelőcsavarokat használja.
- A csavarok és a tartószerkezet szerelése során a jelen útmutatások betartásának elhanyagolása villanyárammal kapcsolatos veszélyekhez vezethet.

VI. A KÉSZÜLÉK HASZNÁLATA

Irányító gombok

- k. Nyomja meg a kikapcsoló gombot, és a motor megáll.
- l. Nyomja meg a kis sebességet kiválasztó gombot, és a motor kis sebességen kezd el üzemelni.
- m. Nyomja meg a közepes sebességet kiválasztó gombot, és a motor közepes sebességen kezd el üzemelni.
- n. Nyomja meg a nagy sebességet kiválasztó gombot, és a motor nagy sebességen kezd el üzemelni.
- o. Nyomja meg az izzólámpa bekapcsoló gombot és mindkét fény kigyúl. Nyomja meg újra ezt a gombot, és mindkét fény kialszik.



VII. HIBAELHÁRÍTÁS

HIBA	LEHETSÉGES OK	MEGOLDÁS
A fény felgyúl, de a motor nem működik.	A ventilátor kapcsolója a „kikapcsolva” helyzetben van.	Válasszon ki egy üzemelési helyzetet.
	A ventilátor kapcsolója hibás.	Vegye fel a kapcsolatot a javítási központtal.
	A motor hibás.	Vegye fel a kapcsolatot a javítási központtal.
A fény nem gyúl fel és a motor nem működik.	A lakásban lévő biztosítékok elmozdultak vagy kiégtek.	Állítsa vissza vagy cserélje ki a biztosítékokat.
	A tápvezeték rövid vagy nincsen csatlakoztatva.	Helyezze be megfelelően a dugaszt a csatlakozóaljzatba. Kapcsolja be az energiaforrást.
Olajfolyások.	A visszatartó szelep és a levegő belépési nyílása nincsenek megfelelően szigetelve.	Válassza le a visszatartó szelepet és használjon szigetelő anyagot.
	Folyások az U metszet és a burkolat csatlakozás szintjén.	Válassza le az U metszetet és szigetelje.
A fények nem működnek.	Az izzók hibásak/nem megfelelően működnek.	Cserélje ki az izzókat az utasítások szerint.
Elégtelen elszívás.	Túl nagy a távolság a szagelszívó és a tűzhely főzőlapja között.	Szerelje a szagelszívót megfelelő távolságra.
A szagelszívó lehajlik.	A rögzítő csavar nincs kellőképpen megszorítva.	Szorítsa meg a csavart a szagelszívó vízszintes helyzetben történő rögzítése érdekében.

MEGJEGYZÉS: A készülék elektromos alkatrészeinek a javítása a helyi, az országos és a szövetségi szabályozásokat kell tiszteletben tartsa. Kérjük vegye fel a kapcsolatot a javító központtal ha bármelyik fentebb említett művelet végrehajtásával kételyei vannak. A készülék felnyitása előtt távolítsa el annak dugaszát a villamos hálózatról.

VIII. TISZTÍTÁS ÉS KARBANTARTÁS

FIGYELEM

A szagelszívó karbantartási vagy tisztítási műveleteinek elvégzése előtt távolítsa el annak dugaszát a villamos hálózathoz. Győződjön meg arról, hogy kihúzta a dugaszt a csatlakozóból.

A külső felületek könnyen megkarcolhatóak. Ebből kifolyólag kérjük, hogy kövesse az utasításokat a hatékony és sérülésmentes tisztítás érdekében.

ÁLTALÁNOSSÁGOK

A tisztítást és karbantartást csak akkor végezzük, amikor a készülék már kihűlt. Ne maradjon a szagelszívón lúgos vagy savas hatású vegyszermaradvány (citromlé, ecet stb.).

NEM OXIDÁLÓDÓ ACÉL ALKATRÉSZEK

A nem oxidálódó acél alkatrészeket időszakosan kell tisztítani (hetente) a hosszabb élettartam biztosítása érdekében. Tisztítás után törölje le egy tiszta és száraz puha ronggyal. Használhat egy speciális folyadékot is a nem oxidálódó felületek tisztításához. MEGJEGYZÉS: Győződjön meg róla, hogy a törlés során nem károsodnak a nem oxidálódó acél felületek karcolás által.

A KEZELŐPANEL FELÜLETEI

A kezelőpanel felületeit letisztíthatja meleg vízzel és szappannal. Győződjön meg róla, hogy a tisztításhoz használt puha rongy tiszta és jól ki van csavarva. Tisztítás után használjon egy száraz puha rongyot a felületek szárazra törléséhez.

FONTOS

Használjon semleges tisztítószereket és kerülje az erős kémiai vegyszerek valamint az erős háztartási tisztítószerek használatát, a csiszolóanyagokat tartalmazó termékeket, mivelhogy az utóbbiak megváltoztathatják a készülék kinézetét és megrongálhatják a nyomtatott elemeket ez által megsemmisítve a termék szavatosságát.

ZSÍRSZŰRŐK

A szűrők kézzel tisztíthatók.

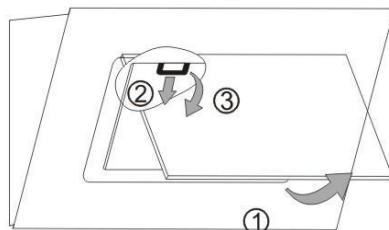
A zsiradék eltávolításához hagyja jól kiázni pár percig mosogatószeres vízben majd egy puha kefével kefélje át. A károsodás megelőzése céljából kérjük ne gyakoroljon erős nyomást a szűrőkre. Árnyékos helyen hagyja a szűrőket megszáradni.

A szűrőket nem ajánlatos együtt tisztítani edényekkel vagy más konyhai eszközökkel. Öblítő szerek használatát nem ajánljuk.

A ZSÍRSZŰRŐK BEÜZEMELÉSE

A zsírszűrők beüzemeléséhez kérjük az alábbi lépések szerint járjon el:

- Helyezze a szűrőket a szagelszívó hátsó részén található részbe.
- Nyomja meg a szűrő nyelén található gombot.
- Engedje el a nyelet miután a szűrő a helyére került.
- A többi szűrő beüzemeléséhez ismételje meg a fenti lépéseket.

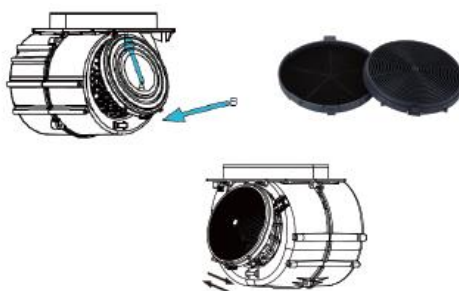


AKTÍV SZÉNSZŰRŐ - külön kerül beszerzésre

Az aktív szénzsűrőt a kellemetlen szagok visszafogására használják. A szagelszívó használatának gyakoriságától függően az aktív szénzsűrőket három vagy hat hónaponként le kell cserélni. Az aktív szénzsűrők beüzemelése az alábbiak szerint történik:

Az aktív szénzsűrők beüzemeléséhez először az alumínium szűrőt csatlakoztassa le. Először nyissa ki a nem oxidálódó acélból készült fedelet majd nyomja meg a zároló rendszert és vegye ki a szűrőt.

- Helyezze a szénzsűrő csapját a ventilátor téglalap alakú lyukába (az alábbi A nyíl szerint).
- Nyomja a szénzsűrő másik oldalát a ventilátor felé, hogy az flat legyen (az ábrán látható B nyíl szerint), majd nyomja a filtert a ventilátorba.
- Ha el akarja távolítani a filtert, nyomja meg a filter rögzítőelemét, és a anꞑclockwise elforgatásával távolítsa el.



MEGJEGYZÉS:

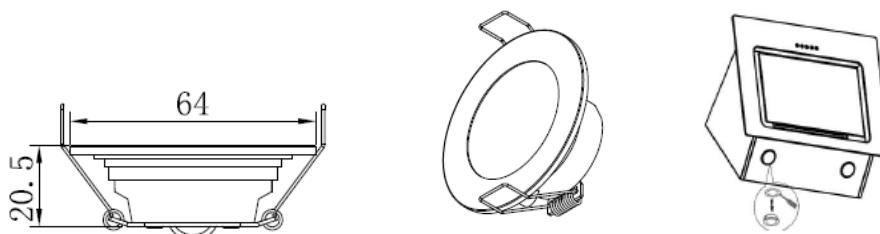
- Győződjön meg róla, hogy a szűrő megfelelően van rögzítve. Ellenkező esetben ez meggyengülhet és károsodásokat okozhat.
- Amikor az aktív szénzsűrő fel van szerelve a szívóerő gyengébb.

AZ IZZÓ KICSERÉLÉSE

- Az izzó kicserélését a gyártó, a szervizének ügynöke vagy hasonló szakképzettséggel rendelkező személyek kell elvégezzék.
- Mielőtt bármilyen tevékenységet folytatna a készülékkel kapcsolatosan mindig áramtalanítsa azt. Mielőtt megérintené, győződjön meg róla, hogy az izzó már kihűlt.
- Az izzókat egy ronggyal vagy kesztyűs kézzel kezelje meggyőződve arról, hogy az izzók nincsenek befolyásolva kezének izzadsága által, az ugyanis csökkentheti élettartamukat.

LEDES IZZÓLÁMPÁK

11. Kapcsolja ki a készüléket, és húzza ki a dugaszt a fali csatlakozóból.
 12. Az izzólámpa kicserélése előtt várja meg, amíg az lehűl.
 13. Csavarhúzó segítségével vegye le az izzólámpa előlapját.
 14. Óvatosan vegye le a LED-es izzólámpát, és cserélje ki egy azonos típusúval (2*2W LSD-B1 LED).
 15. Csavarhúzó segítségével szerelje vissza az izzólámpa előlapját.
- Ennek a lámpának az ILCOS D kódja a következő: DBR-2/65-H-64
 - LED modulok - gömbölyűk
 - Maximális teljesítmény: 2 W
 - Feszültségi tartomány: AC 220-240V
 - Méretek:



FONTOS

A következő ajánlások olyan módszerek, amelyek csökkentik a természeti környezetre mért hatást (csökkentik az elektromos energia fogyasztást).

- (9) A szagelszívót egy kellőképpen szellőztetett helyiségben üzemelje be.
- (10) Tisztítsa rendszeresen a szagelszívót a levegő elvezetésére szolgáló csatorna eltömítődésének elkerülése érdekében.
- (11) Használat után kapcsolják ki a szagelszívó lámpáját.
- (12) Használat után kapcsolják ki a készüléket.

A SZÉTSZERELÉSRE VONATKOZÓ INFORMÁCIÓK

Ne szerelje szét a készüléket másképp, mint ahogy az a használati kézikönyben bemutatásra került. A felhasználónak nem kell szétszerelnie a készüléket. A használati élettartamuk végén a készüléket a háztartási hulladékoktól elkülönítve kell kiselejtezni. Az újrahasznosításra vonatkozó tanácsokért, lépjen kapcsolatba a helyi hatóságokkal vagy a forgalmazóval.

**A hulladékok környezetfelelős eltávolítása**

Segíthet a környezet védelmében!

Kérjük, tartsa be a helyi rendelkezéseket: a nem működő elektromos berendezéseket a használt elektromos hulladékokat gyűjtő központba szolgáltatassa be.



A HEINNER a **Network One Distribution SRL(KFT)** társaság által bejegyzett védjegy. A többi márkajelzés és a termékek megnevezése kereskedelmi vagy az illető birtoklók által bejegyzett márkanevek.

A leírtak egyetlen része sem használható fel semmilyen formában, még lefordított, átalakított változatban sem, a NETWORK ONE DISTRIBUTION előzetes beleegyezése nélkül.

Copyright © 2013 Network One Distribution. Minden jog fenntartva.

www.heinner.com, <http://www.nod.ro>



A terméket az Európai Közösség előírásainak és jogszabályainak megfelelően tervezték és gyártották.

Importőr: **Network One Distribution**

Marcel Iancu utca, 3-5 szám, Bukarest (București), Románia

Tel: +40 21 211 18 56, www.heinner.com, www.nod.ro

HEINNER

ДЕКОРАТИВЕН АБСОРБАТОР

Модели: DCH-650RGBK



- Декоративен абсорбатор
- Всмукателна мощност: 586 куб.м./ч
- Цвят: черно

Благодарим Ви за закупуването на този продукт!

I. ВЪВЕДЕНИЕ

Моля прочетете внимателно инструкциите и запазете наръчника за бъдещи справки.

Този наръчник има за цел да Ви предостави всички необходими инструкции по отношение на инсталирането, използването и поддържането на уреда. Преди инсталиране и използване на уреда, с цел правилна и безопасна употреба на уреда, моля прочетете внимателно този наръчник с инструкции.

II. СЪДЪРЖАНИЕ НА ВАШИЯ КОМПЛЕКТ

- Декоративен абсорбатор
- Наръчник за употреба
- Сертификат за гаранция

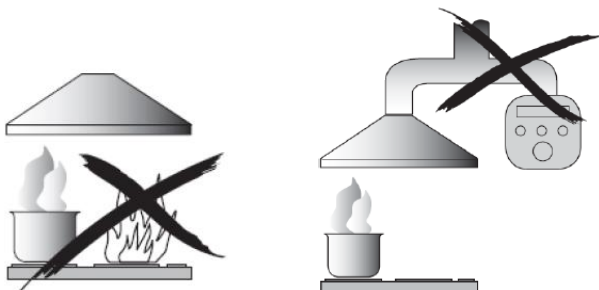


III. МЕРКИ ЗА БЕЗОПАСНОСТ

Този наръчник съдържа обяснения по отношение на съответстващото инсталиране и използване на Вашия абсорбатор. Моля прочетете внимателно наръчника преди използване на продукта, въпреки че начинът на употреба Ви е познат. Наръчникът трябва да се съхранява на сигурно място, с цел извършване на справки при необходимост.

ПРЕДУПРЕЖДЕНИЯ:

- Не се опитвайте да използвате абсорбатора без филтрите за мазнина или ако филтрите са много замърсени.
- Не инсталирайте продукта над готварски печки, оборудвани с външен грил в горната страна.
- Не оставяйте тиганите без наблюдение по време на употреба, защото прегряната мазнина и олио могат да се запалят.
- Никога не оставяйте източници на открит пламък под абсорбатора.
- Ако абсорбаторът има повреда, не се опитвайте да го използвате.
- Не пригответе фламбирани ястия под абсорбатора.
- **ВНИМАНИЕ:** Външните компоненти на уреда могат да се нагряват по време на употреба над готварски печки.
- Когато абсорбаторът е монтиран над готварска печка на газ, минималното разстояние между повърхността за поставяне на съдовете за готвене върху готварската печка и най-долната страна на абсорбатора трябва да бъде най-малко 65 см.
- Изведеният въздух не трябва да се освобождава в канал за дим с цел извеждане на изгорелите газове вследствие на употребата на други уреди.



ПРЕДУПРЕЖДЕНИЯ:

- Внимание! По време на извършване на операции за инсталиране или поддръжка (като подмяна на крушката), винаги изключвайте захранването с електроенергия.
- Абсорбаторът трябва да се инсталира в съответствие с инструкциите за инсталиране.
- Всички операции за инсталиране трябва да се извършват от квалифицирано лице или от електротехник.
- Моля изхвърляйте опаковките внимателно. Децата са уязвими от тях.
- Обърнете внимание на острите ръбове от вътрешната част на абсорбатора, особено по време на извършване на операциите за инсталиране и почистване.

- Когато абсорбаторът е монтиран над готварска печка на газ, минималните разстояния между повърхността за поставяне на съдовете за готвене върху готварската печка и най-долната страна на абсорбатора трябва да бъдат следните:

При готварски печки на газ: 75 см

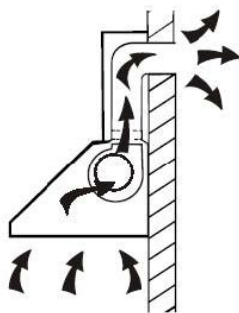
При електрически готварски печки: 65 см

При готварски печки на въглища или течно гориво: 75 см

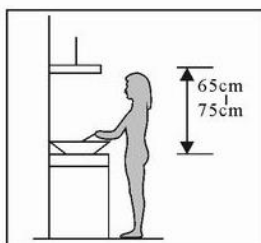
- Уверете се, че тръбната система за извеждане на въздуха няма прегъвки с ъгъл по-малък от 90 градуса, защото намаляват ефективността на абсорбатора.
- Предупреждение: Монтажът на винтовете и на системата за захващане без спазване на настоящите инструкции може да доведе до опасности от електрическо естество.
- Винаги поставяйте капациите върху тенджерите и тиганите тогава, когато готвите върху готварската печка на газ.
- По време на функциониране абсорбаторът извежда въздуха от помещението.
- Моля предприемайте мерки за осигуряване на съответстващо проветрение на помещението. Абсорбаторът премахва миризмите от стаята, но не и парата.
- Абсорбаторът е предназначен само за домашна употреба.
- Ако хранващият кабел е повреден, той трябва да се замени от производителя, сервизния персонал или от лица с подобна квалификация, за да се избегнат евентуални опасности.
- Уредът може да се използва от деца на възраст най-малко 8 години и от лица с намалени физически, сетивни или умствени способности, или с липса на достатъчен опит и познания, само ако са под наблюдение или са получили указания във връзка с използването на уреда по безопасен начин и ако разбират опасностите, които могат да възникнат при използване на уреда. Децата нямат право да си играят с уреда. Почистването и поддръжката не трябва да се извършват от деца, които не са под наблюдение.
- Внимание: Уредът и неговите външни компоненти могат да се нагряват по време на употреба. Предотвратявайте докосването на горещи компоненти. Деца на възраст под 8 години не трябва да имат достъп до уреда, освен ако се намират постоянно под наблюдение.
- Когато абсорбаторът се използва заедно с уреди, които функционират на газ или с други горива, трябва да се осигурява съответстващо проветрение на помещението.
Съществува риск от възникване на пожар, ако почистването не се извършва в съответствие с инструкциите.
- Трябва да се спазват разпоредбите за извеждане на въздуха.
- Почиствайте периодично уреда, като следвайте метода, представен в глава ПОДДРЪЖКА.
- Заради причини за безопасност, моля използвайте само винтовете за фиксиране или за монтаж, които се препоръчват в настоящия наръчник с инструкции.
- За подробни данни относно методите за почистване и честотата, с която трябва да се извършва почистването, вижте раздела за поддръжка и почистване от настоящия наръчник с инструкции.
- Почистването и поддръжката не трябва да се извършват от деца, които не са под наблюдение.
Ако абсорбаторът се използва заедно с уреди, които се хранят с друга енергия, различна от електрическата, негативното налягане от помещението не трябва да надвишава 4 Pa (4 x 10⁻⁵ бара).

IV. ИНСТРУКЦИИ ЗА ИНСТАЛИРАНЕ (В СЛУЧАЙ НА ИЗВЕЖДАНЕ НА

Ако съществува отвор за извеждане на въздуха на открито, абсорбаторът може да се свърже, така както е посочено в долното изображение, чрез тръба за извеждане (от алуминий, гъвкава тръба или незапалим материал с вътрешен диаметър 150 мм).

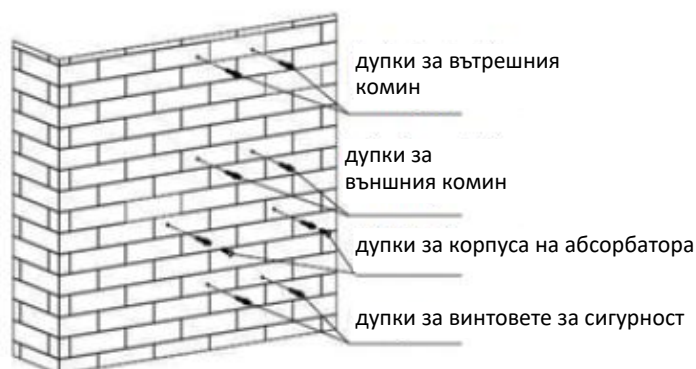


10. Преди инсталиране спрете уреда и изключете го от мрежата за захранване с електроенергия.
11. За оптимално функциониране абсорбаторът трябва да се инсталира на разстояние 65~75 см над готварската печка.



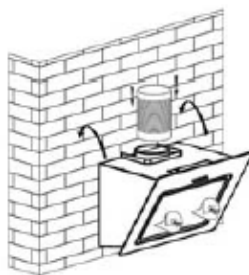
Фиг. 1

12. С помощта на свредло с диаметър 8 мм, направете осем дупки в стената с оглед инсталиране на комина и корпуса на абсорбатора. Вижте фигура 2.



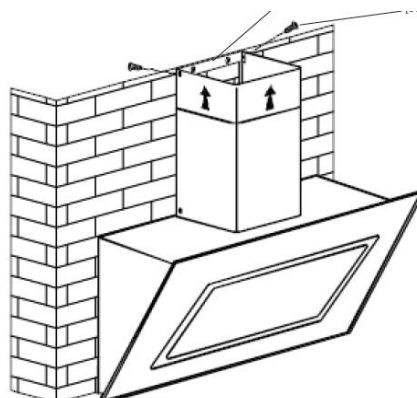
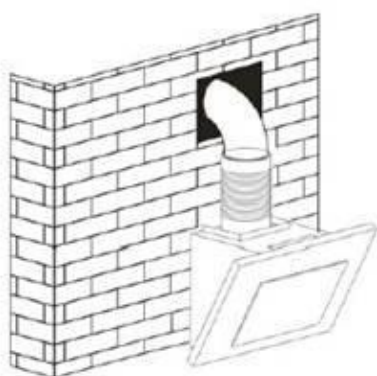
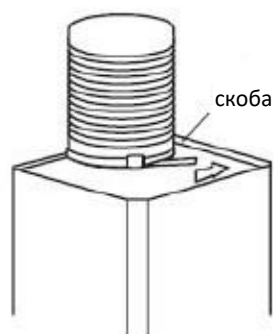
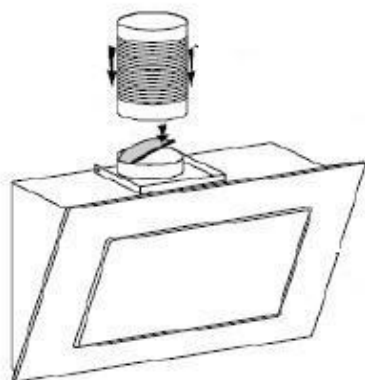
Фиг. 2

4. Поставете дюбели в дупките, които сте направили с цел монтиране на корпуса на абсорбатора, поставете в дюбелите два винта за задържане ST 4 x 40 мм, като оставите разстояние 2 мм между краищата на винтовете и стената. Вижте фигура 2.
5. Поставете абсорбатора върху винтовете за задържане.
6. Поставете самонавиващи се винтове ST 4 x 30 мм в дупките за винтовете за сигурност и стегнете ги изцяло, за да се уверите, че абсорбаторът е фиксиран по съответстващ начин. Вижте фигура 3.



Фиг. 3

7. Монтирайте тръбата за извеждане върху клапана против връщане, така както е посочено по-долу. Фиксирайте тръбата за извеждане върху клапана с помощта на една скоба. Разширете тръбата за извеждане до нейното проникване през дупката в стената.



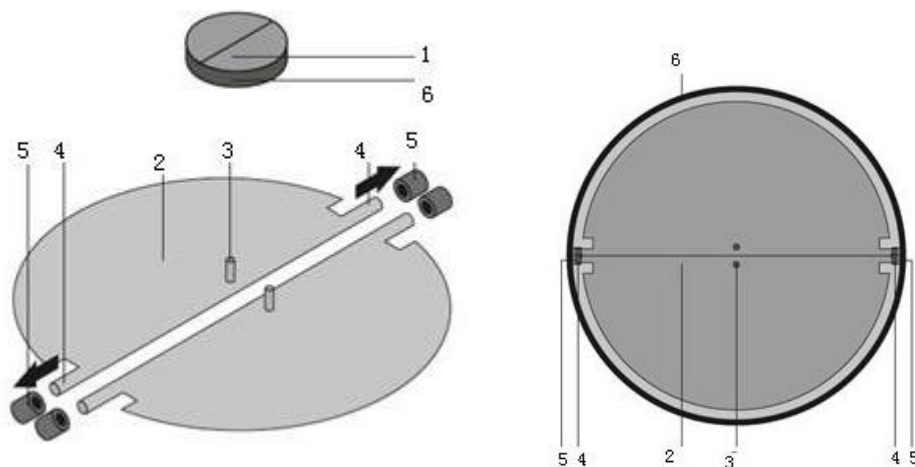
ЗАБЕЛЕЖКА: Двата отвора за захващане на винтовете за сигурност се намират от задната страна на корпуса на абсорбатора и имат диаметър 6 мм.

V. МОНТИРАНЕ НА КЛАПАТА ПРОТИВ ВРЪЩАНЕ

Ако клапата против въртане (1) не е монтирана, двете нейни части трябва да се сглобят.

За сглобяване на клапата против въртане (1), изпълнете стъпките по-долу:

- Монтирайте двете части (2) в корпуса (6);
- Болтът (3) трябва да се ориентира нагоре;
- Оста (4) трябва да се вкара в отворите (5) върху корпуса;
- Повторете стъпките по-горе за втората част.

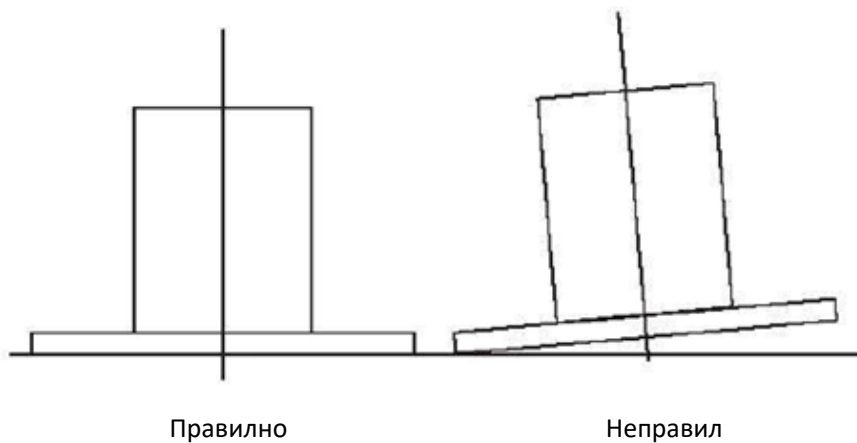


СЪВЕТИ ЗА ИНСТАЛИРАНЕ НА ТРЪБАТА ЗА ИЗВЕЖДАНЕ НА ВЪЗДУХА

За ефикасно извеждане на въздуха следвайте стриктно правилата по-долу:

- Опитайте да поддържате къса тръбата за извеждане и в право състояние.
- Не скъсявайте дължината на тръбата за извеждане и не я свивайте.
- Разширете тръбата за извеждане с цел намаляване до минимум на загубите на налягане.
- Неспазването на тези основни инструкции ще намали производителността и ще увеличи нивото на шум на абсорбатора.
- Всички операции за инсталиране трябва да се извършват от квалифицирано лице или от електротехник.
- Не свързвайте системата за извеждане на абсорбатора към вентилационна система, която се използва за друг уред.
- Ъгълът за огъване на тръбата за извеждане не трябва да бъде по-малък от 120°; тръбата трябва да се разполага хоризонтално или, друга възможност, тръбата трябва да се качи до първоначалното ниво и трябва да се изведе до външна стена.

- След инсталиране уверете се, че абсорбаторът е поставен в права позиция с цел предотвратяване на натрупването на мазнина в едно от неговите краища.
- Уверете се, че тръбата за извеждане, избрана с оглед инсталиране, съответства на действащите стандарти и е огнеупорна.



ПРЕДУПРЕЖДЕНИЕ:

- Заради причини за безопасност, моля използвайте само винтовете за фиксиране или за монтаж, които се препоръчват в настоящия наръчник с инструкции.
- Монтажът на винтовете и на системата за захващане без спазване на инструкциите може да доведе до опасности от електрическо естество.

VI. ИЗПОЛЗВАНЕ НА УРЕДА

Бутони за управление

- а. Натиснете върху бутона за изключване и моторът ще се изключи.
- б. Натиснете върху бутона за ниска скорост и моторът ще започне да работи при ниска скорост.
- в. Натиснете върху бутона за средна скорост и моторът ще започне да работи при средна скорост.
- г. Натиснете върху бутона за висока скорост и моторът ще започне да работи при висока скорост.
- д. Натиснете върху бутона за включване на лампата и двете светлини ще светнат. Натиснете отново върху този бутон и двете светлини ще изгаснат.



VII. РАЗРЕШАВАНЕ НА ПРОБЛЕМИ

ПРОБЛЕМ	ВЪЗМОЖНА ПРИЧИНА	РЕШЕНИЕ
Лампата светва, но моторът не функционира.	Комутаторът на вентилатора се намира в позиция "изключено".	Изберете позиция за функциониране.
	Комутаторът на вентилатора е повреден.	Свържете се със сервизния център.
	Моторът е повреден.	Свържете се със сервизния център.
Лампата не светва, а моторът не функционира.	Предпазителите от жилището са изключени или изгорели.	Включете отново предпазителите или подменете ги.
	Захранващият кабел е разхлабен или изваден.	Поставете кабела в контакта по съответстващ начин. Включете източника за захранване.
Течове на масло.	Клапанът за задържане и отворът за влизане на въздух не са уплътнени по съответстващ начин.	Демонтирайте клапана за задържане и използвайте материал за уплътнение.
	Течове на нивото на връзката между частта във формата на "U" и корпуса.	Демонтирайте частта във формата на "U" и уплътнете.
Светлините не работят.	Крушките са дефектни / работят по несъответстващ начин.	Подменете крушките съгласно инструкциите.
Недостатъчно всмукване.	Разстоянието между абсорбатора и плочата на готварската печка е твърде голямо.	Монтирайте абсорбатора на съответстващо разстояние
Абсорбаторът се накланя.	Винтът за фиксиране не е затегнат достатъчно	Затегнете винта с цел фиксиране на абсорбатора в хоризонтална позиция.

ЗАБЕЛЕЖКА: При ремонт на електрическите компоненти на този уред трябва да спазват местните, държавните и федералните разпоредби. Моля свържете се със сервизния център, ако имате някакви съмнения по отношение на извършването на някоя от операциите по-горе. Изключете уреда от източника за захранване с електроенергия преди неговото отваряне.

VIII. ПОЧИСТВАНЕ И ПОДДРЪЖКА

ВНИМАНИЕ

Преди извършване на операции за поддръжка или почистване, абсорбаторът трябва да се изключи от източника за захранване с електроенергия. Уверете се, че абсорбаторът е изключен и че щепселът е изваден от контакта.

Външните повърхности могат да бъдат надраскани с лекота. Следователно, моля следвайте инструкциите с оглед осигуряване на ефективно почистване, без повреждане.

ОБЩИ ПОНЯТИЯ

Почистването и поддръжката трябва да се извършват само тогава, когато уредът е студен. Не оставяйте остатъци от алкални или киселинни вещества (лимонов сок, оцет и др.) по повърхностите на абсорбатора.

КОМПОНЕНТИ ОТ НЕРЪЖДАЕМА СТОМАНА

Компонентите от неръждаема стомана трябва да се почистват периодично (ежеседмично), с оглед осигуряване на удължен период за експлоатация. След почистване избършете ги с чиста и суха кърпа. Можете да използвате специална течност с цел почистване на повърхностите от неръждаема стомана.

ЗАБЕЛЕЖКА: Уверете се, че избърсването се извършва, така че повърхностите от неръждаема стомана да не бъдат повредени чрез надраскване.

ПОВЪРХНОСТИТЕ НА КОНТРОЛНИЯ ПАНЕЛ

Повърхностите на контролния панел могат да се избърсват с топла вода със сапун. Уверете се, че кърпата, с която почиствате повърхностите, е чиста и добре изцедена. След почистване, използвайте мека и суха кърпа с цел премахване на останалата влага по повърхностите.

ВАЖНО

Използвайте неутрални препарати за миене и избягвайте използването на силни химични вещества, както и на силни домашни препарати за миене или на продукти, които съдържат абразивни вещества, защото последните оказват влияние върху външния вид на уреда и могат да повредят напечатаните елементи, анулирайки гаранцията на продукта.

ФИЛТРИ ЗА МАЗНИНА

Филтрите могат да се почистват ръчно.

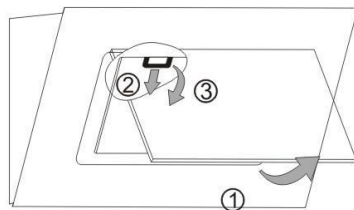
Оставете ги да киснат няколко минути във вода с препарат за миене с цел отстраняване на мазнината, след това почистете ги леко с помощта на мека четка. Моля не упражнявайте прекомерен натиск върху тях с цел предотвратяване на повреди. Оставете ги да изсъхнат по естествен начин, но не на пряка слънчева светлина.

Филтрите не трябва да се измиват заедно с кухненски съдове или прибори. Препоръчваме Ви да не използвате агенти за изплакване.

ИНСТАЛИРАНЕ НА ФИЛТРИТЕ ЗА МАЗНИНА

За инсталиране на филтрите, моля следвайте стъпките по-долу:

- Позиционирайте филтъра в процепите, които се намират от задната страна на абсорбатора.
- Натиснете върху бутона от дръжката на филтъра.
- Освободете дръжката след фиксиране на място на филтъра.
- За инсталиране на останалите филтри, повторете стъпките по-горе.



ФИЛТЪР С АКТИВЕН ВЪГЛЕН - закупува се отделно

Филтърът с активен въглен може да се използва за задържане на неприятна миризма. В зависимост от честотата на използване на абсорбатора, филтърът с активен въглен трябва да се подменя един път на три или шест месеца. Процедурата за инсталиране на филтъра с активен въглен е представена по-долу.

За инсталиране на филтъра с активен въглен е необходимо да демонтирате първо алуминиевия филтър. Отворете първо капака от неръждаема стомана, след това натиснете върху системата за затваряне на филтъра и извадете филтъра.

- Поставете щифта на въглеродния филтър в правоъгълния отвор на вентилатора (както е показано на стрелката А по-долу).
- Избутайте другата страна на въглеродния филтър към вентилатора, за да го флатирате (както е показано на стрелка Б), и след това натиснете филтъра във вентилатора.
- Ако искате да отстраните филтъра, натиснете закопчалката на филтъра и го отстранете, като завъртите anticlockwise.



ЗАБЕЛЕЖКИ:

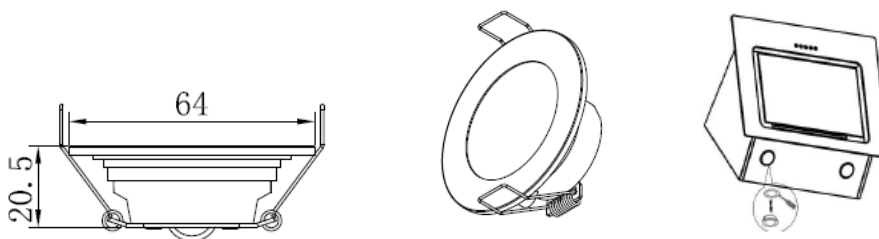
- Уверете се, че филтърът е фиксиран по съответстващ начин. В противен случай, той може да се разхлаби и може да причини повреда.
- Когато е монтиран филтърът с активен въглен, силата за всмукване е по-малка.

ПОДМЯНА НА КРУШКАТА

- Крушката трябва да се подменя от производителя, от неговия сервизен агент или от лица с подобна квалификация.
- Винаги изключвайте захранването с електроенергия преди извършване на всякакви операции върху уреда. По време на боравене с крушката, уверете се, че е изстинала преди да я докоснете с ръка.
- Захващайте крушките с кърпа или ръкавица, за да се уверите, че няма да им оказва влияние потта върху ръцете, защото тяхното време за експлоатация може да бъде намалено.

СВЕТОДИОДНИ ЛАМПИ

16. Изключете уреда и извадете щепсела от контакта.
 17. Преди подмяната на лампата изчакайте да изстине.
 18. Извадете предната страна на лампата с помощта на една отвертка.
 19. Извадете внимателно светодиодната лампа и подменете я с друга от същия тип (2 x 2W LSD-B1 LED).
 20. Монтирайте обратно на място предната страна на лампата с помощта на една отвертка.
- Кодът ILCOS D за тази лампа: DBR-2 / 65-H-64
 - светодиодни модули - сферични
 - Максимална мощност: 2 W
 - Обхват на напрежението: 220-240V (променлив ток)
 - Размери:



ВАЖНО

Следващите препоръки представляват методи за намаляване на въздействието върху околната среда (намаляване на консумацията на електроенергия).

- (13) Инсталирайте абсорбатора на място, което се проветрява по съответстващ начин.
- (14) Почиствайте периодично абсорбатора с цел предотвратяване на блокирането на канала за преминаване на въздух.
- (15) Не забравяйте да изключите лампата на абсорбатора след употреба.
- (16) Не забравяйте да изключите абсорбатора след употреба.

ИНФОРМАЦИЯ ПО ОТНОШЕНИЕ НА РАЗГЛОБЯВАНЕТО

Не разглобявайте уреда по различен начин спрямо този, който е представен в наръчника за употреба. Уредът не трябва да се демонтира от потребителя. В края на времето за работа уредът не трябва да се изхвърля заедно с битовите отпадъци. За съвети относно рециклирането, свържете се с местните власти или с дистрибутора.

**Изхвърляне на отпадъците по начин, отговорен за околната среда**

Можете да помогнете за опазването на околната среда!

Моля спазвайте местните разпоредби: Предайте нефункциониращото електрическо оборудване на център за събиране на отпадъци от електрическо оборудване.



HEINNER е регистрирана марка на компанията **Network One Distribution SRL**. Останалите търговски марки и наименованията на продуктите са търговски марки или регистрирани търговски марки на съответните им притежатели.

Нито една част от спецификациите не може да бъде възпроизвеждана под каквато и да е форма или средство, или използвана за получаване на производни като преводи, трансформации или адаптации, без предварителното съгласие на компанията NETWORK ONE DISTRIBUTION.

Copyright © 2013 Network One Distribution. Всички права запазени.

www.heinner.com, <http://www.nod.ro>



Този продукт е проектиран и произведен в съответствие със стандартите и нормите на Европейската общност.

Вносител: **Network One Distribution**

ул. Марчел Янку № 3-5, Букурещ, Румъния

Tel: +40 21 211 18 56, www.heinner.com, www.nod.ro